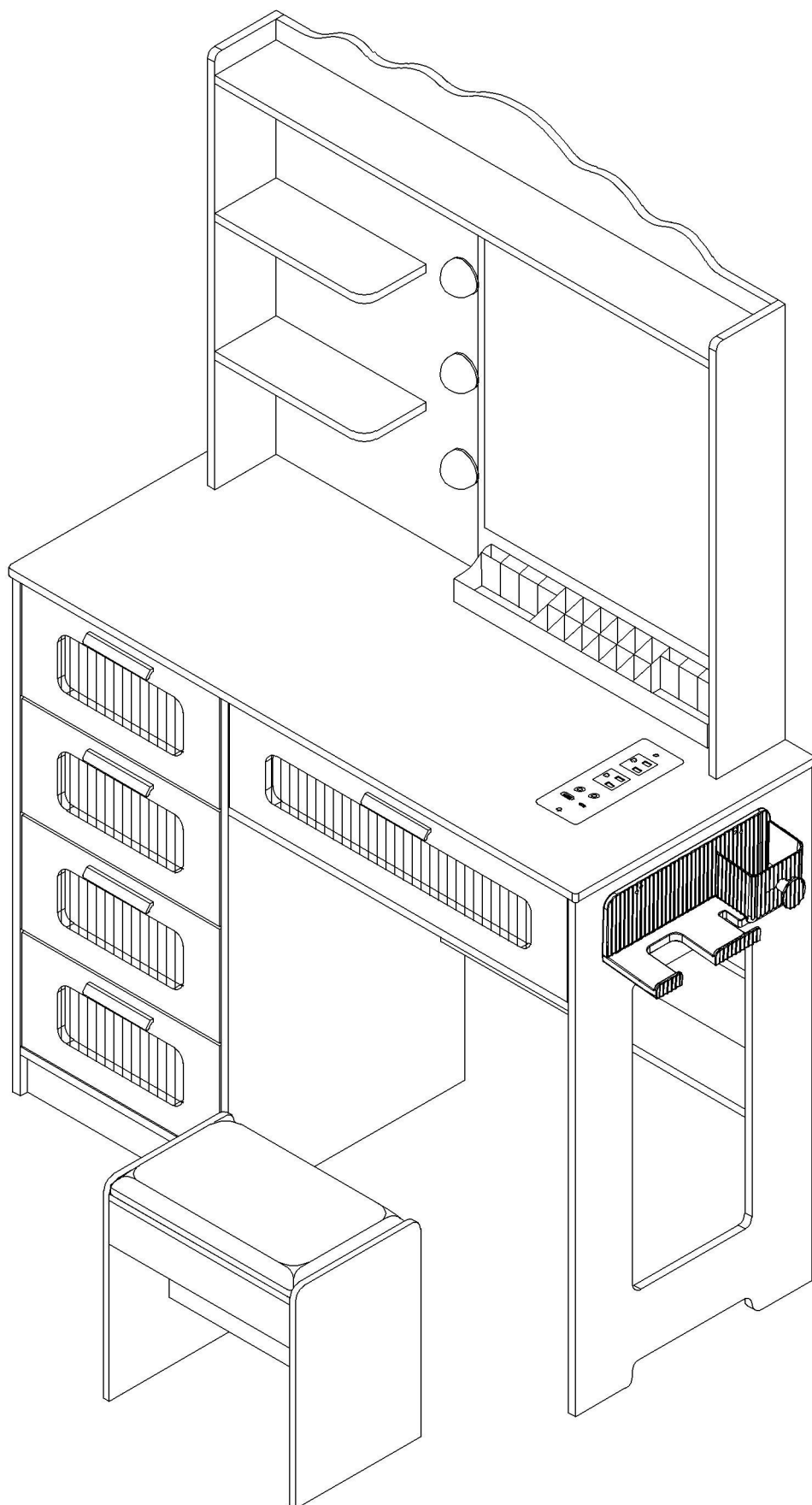
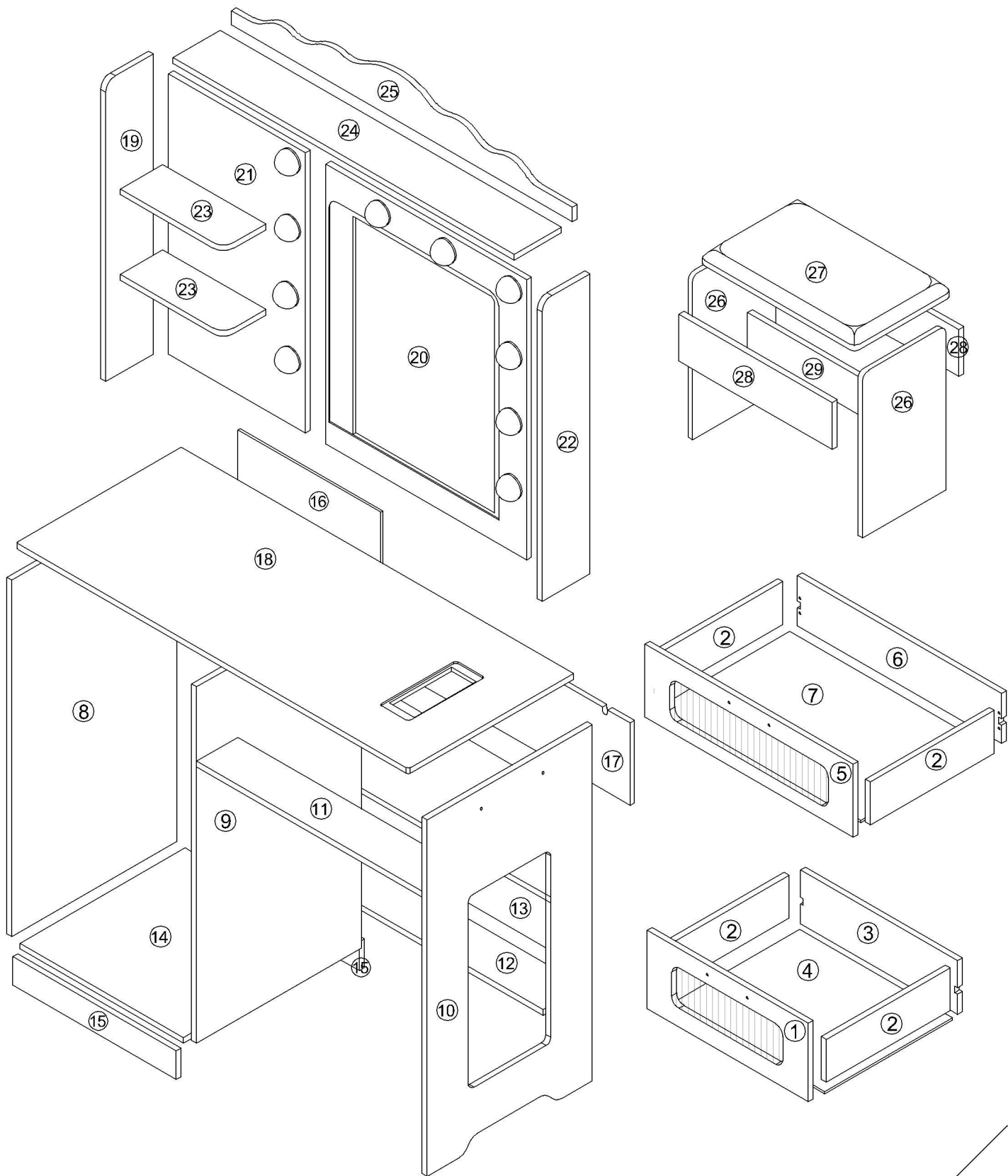


Vanity Table Manual

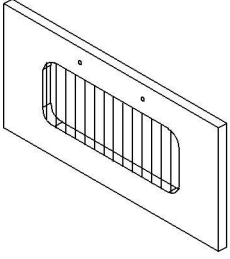


Vanity Table Manual

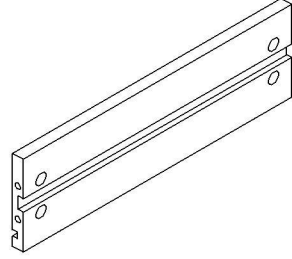


Hardware list

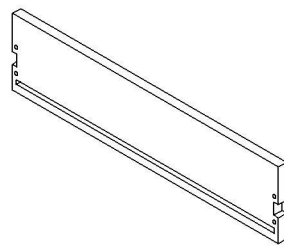
① x4



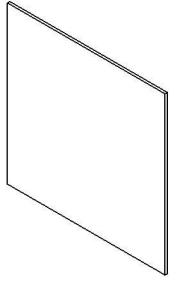
② x10



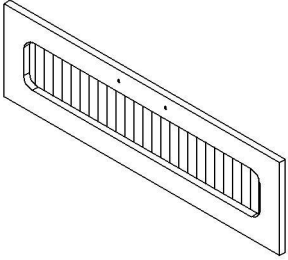
③ x4



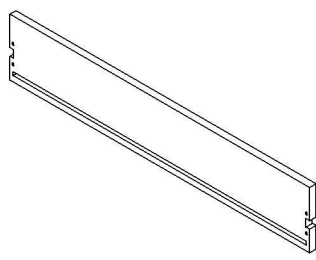
④ x4



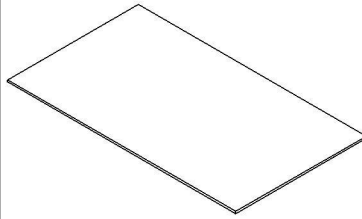
⑤ x1



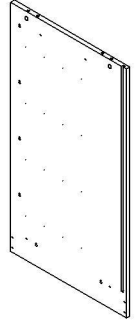
⑥ x1



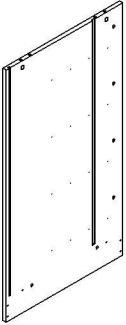
⑦ x1



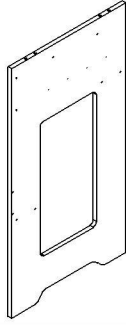
⑧ x1



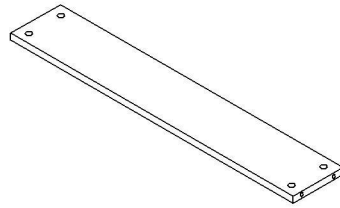
⑨ x1



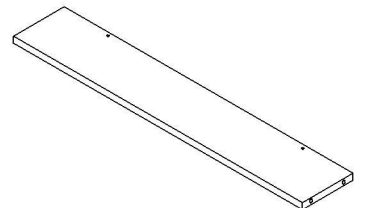
⑩ x1



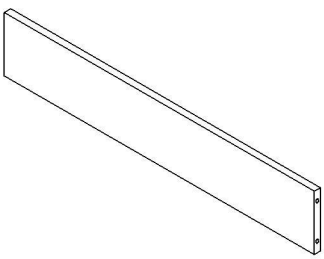
⑪ x1



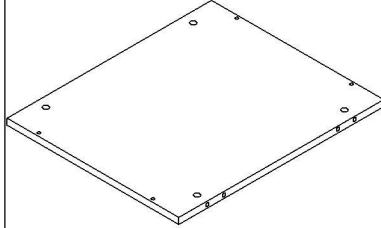
⑫ x1



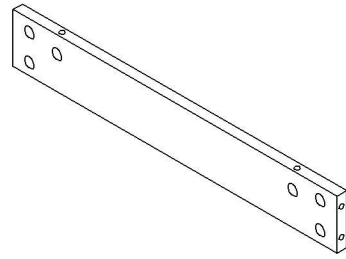
⑬ x1



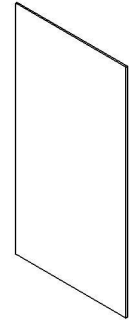
⑭ x1



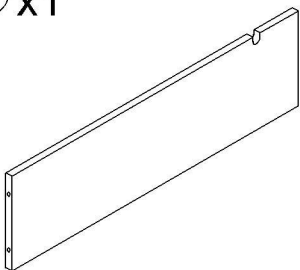
⑮ x2



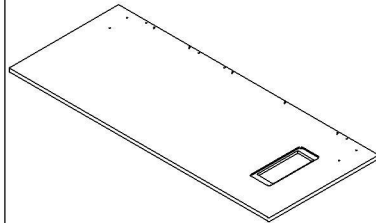
⑯ x1



⑰ x1



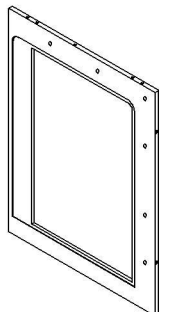
⑱ x1



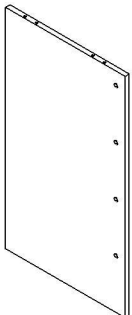
⑲ x1



⑳ x1



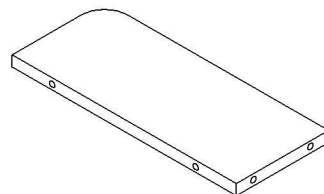
㉑ x1



㉒ x1

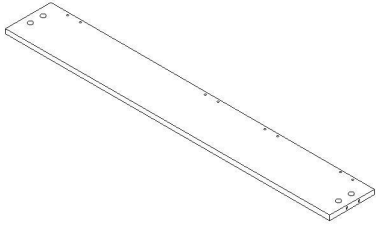


㉓ x2

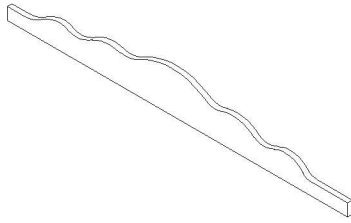


Hardware list

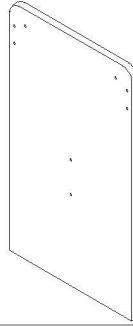
24 x1



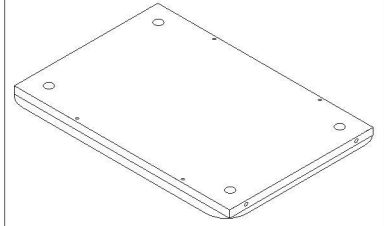
25 x1



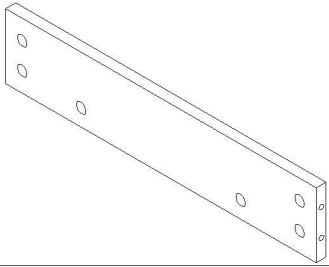
26 x2



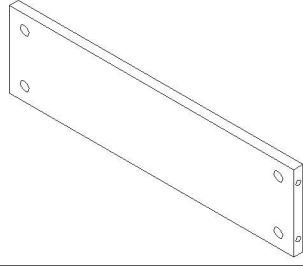
27 x1





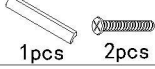

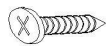

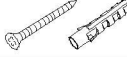




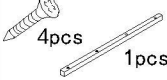


28 x2

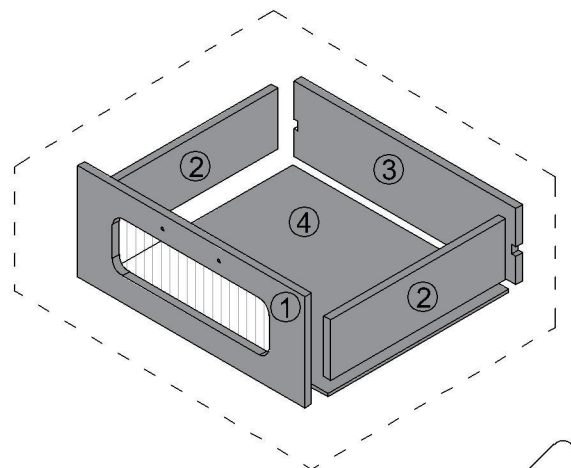
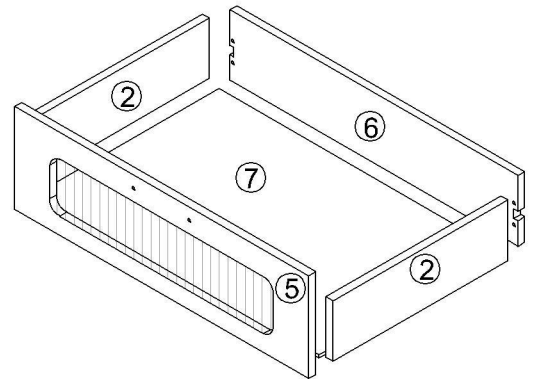
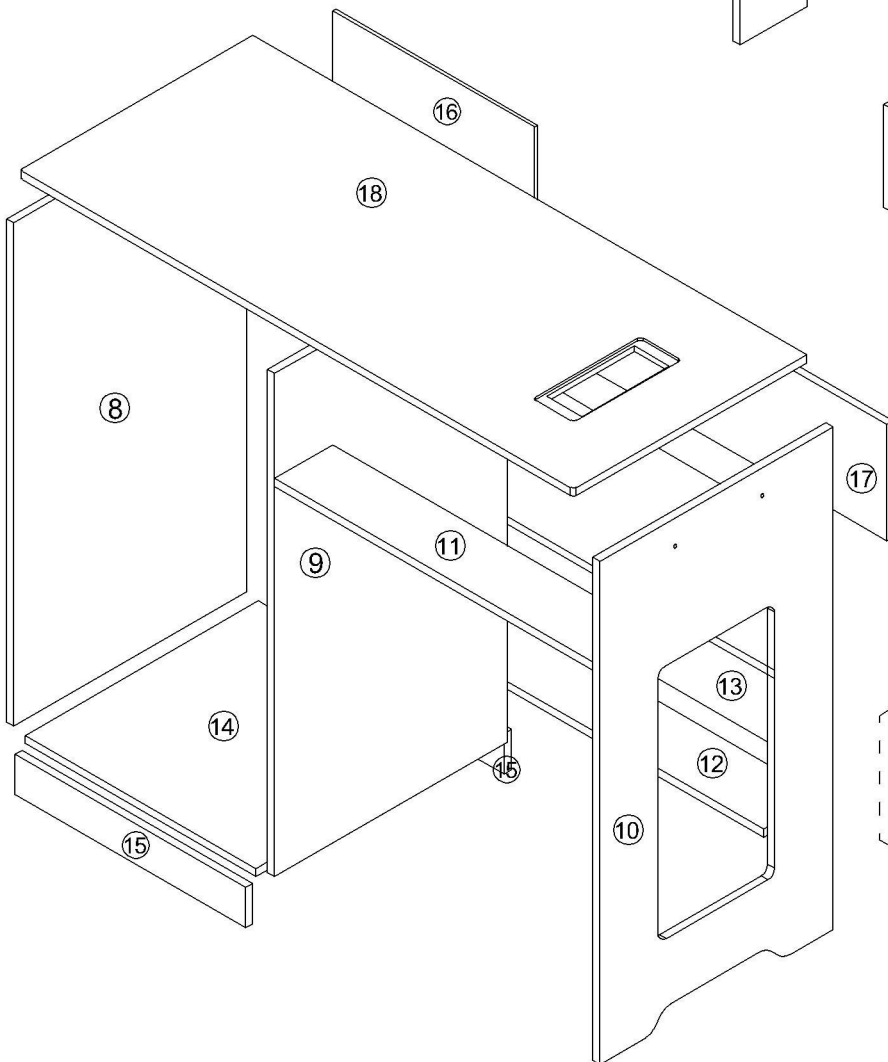
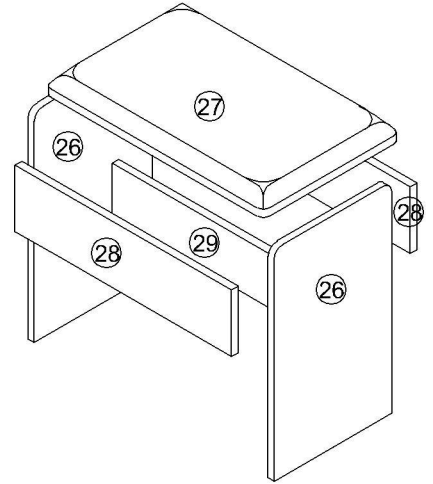
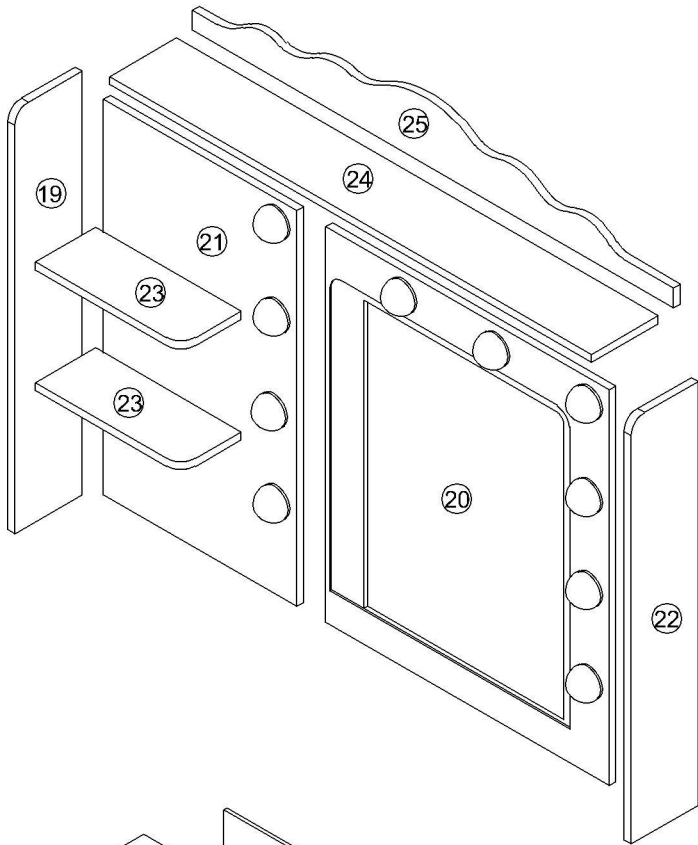


29 x1



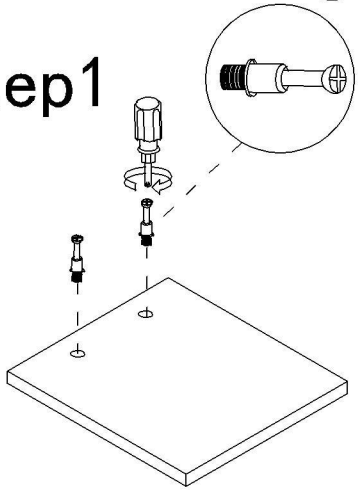
Accessories list

(A)		Two in one screw (6x28mm)	134 Pcs
(B)		Two in one nut (10x12mm)	134 Pcs
(C)	 1pcs 2pcs	Cross machine wire (4x16mm)	5 Pcs
(D)		Wood chipping (6x30mm)	20 Pcs
(E)		Countersunk head tapping screw (3.5x12mm)	2 Pcs
(F)		Protective sticker	4 Pcs
(G)			1 Pcs
(I)		Countersunk head tapping screw (4x45mm)	1 Pcs
(J)		anti-tipping tape	1 Pcs
(K)		Countersunk head tapping screw (4x16mm) gasket	1 Pcs
(L)		Cross machine wire (4x18mm)	10 Pcs
(M)	 1 Pcs 2 Pcs	Acrylic hair dryer holder Hexagonal machine wire (4x16mm)	1 Pcs
(N)		Brown acrylic lipstick grid	1 Pcs
(O)		Cross screwdriver	1 Pcs
(P)		Wire clamp	2 Pcs
(Q)		Power socket	1 Pcs
(R)		Light bulb	10 Pcs
(T)		Foot rubber pad (50x10x2mm)	14 Pcs
(U)	 4pcs 1pcs	Countersunk head tapping screw (3.5x18mm)	10 Pcs
(V)	 1pcs 1pcs	Back plate buckle & Screw (3x16mm)	4 Pcs
(W)		PVC sticker (60x70mm)	2 Pcs
(X)		Back adhesive seal PVC (Width 20mm)	2 Pcs

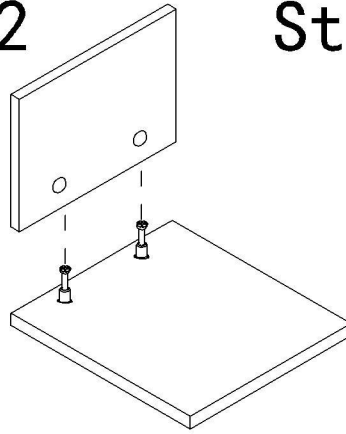


Use parts ① and ②

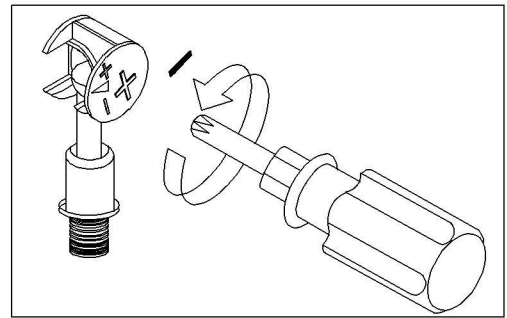
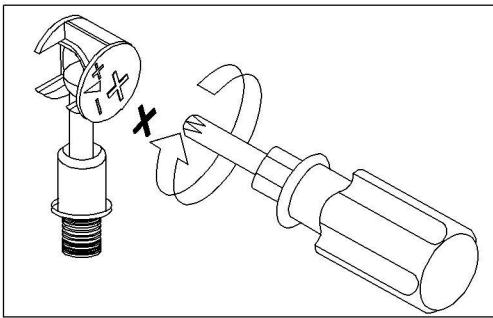
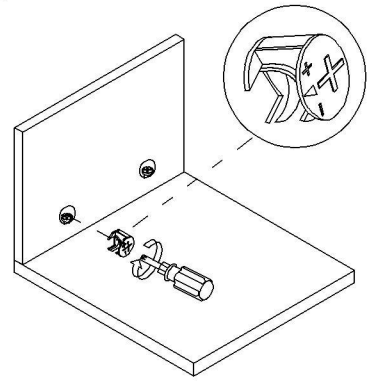
Step1



Step2



Step3



Use a screwdriver to lock in the direction of the "+" sign

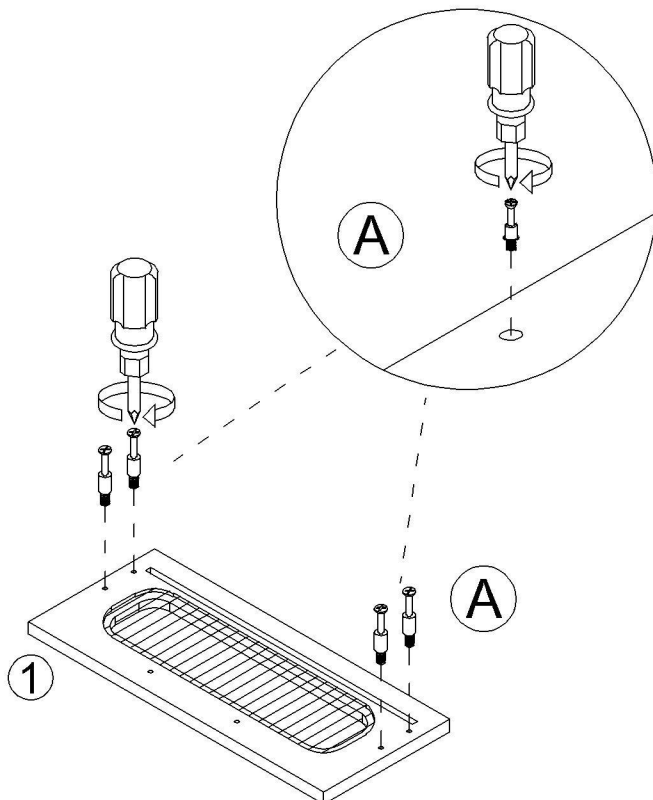
Disassemble along the direction of "-" sign

Step 1

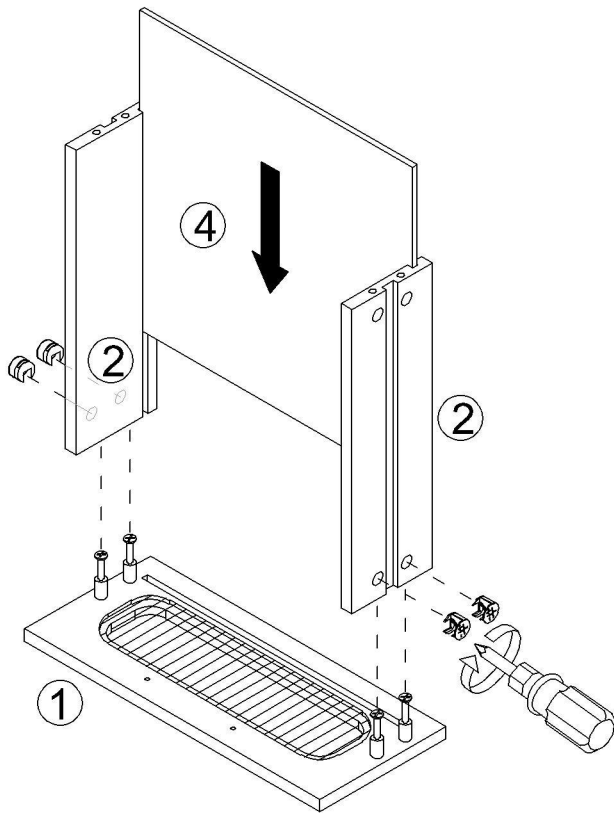
A





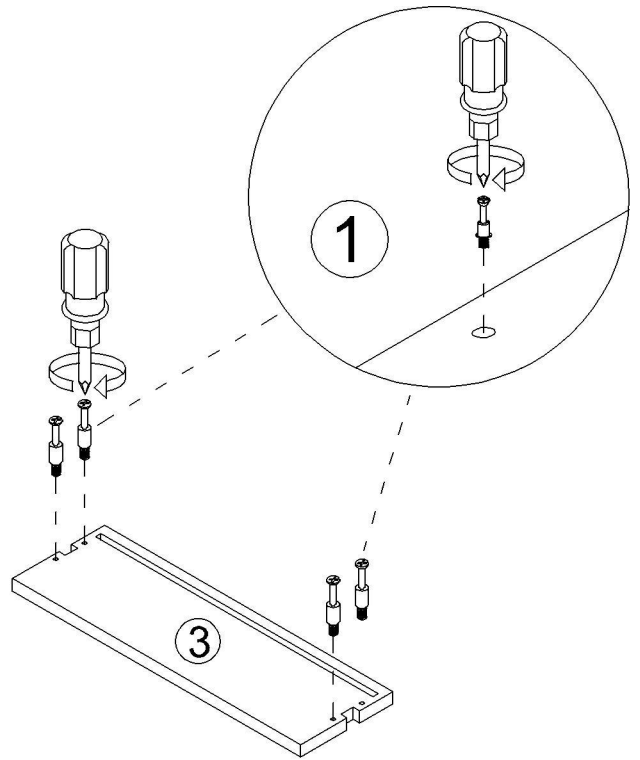
x 4



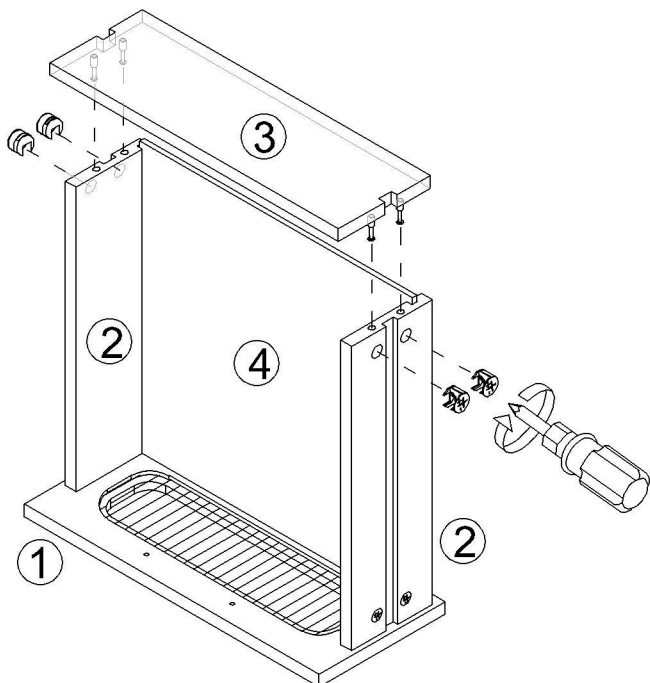
Step 2


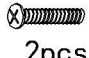



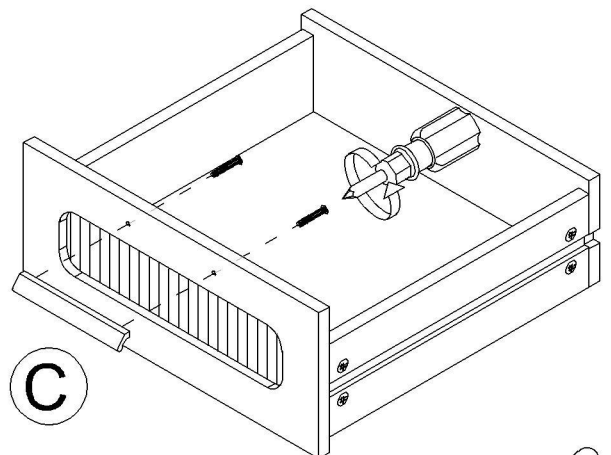
A		x 4
B		x 4



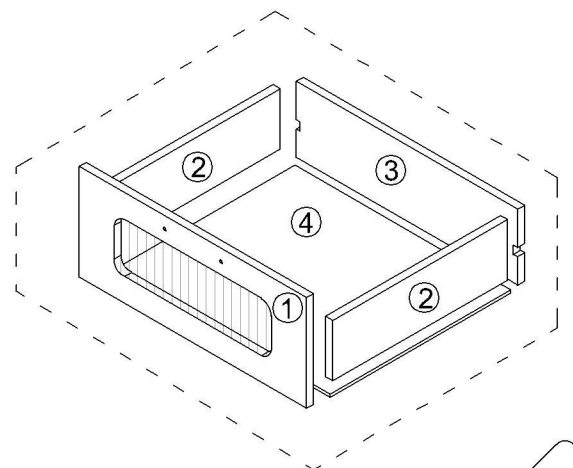
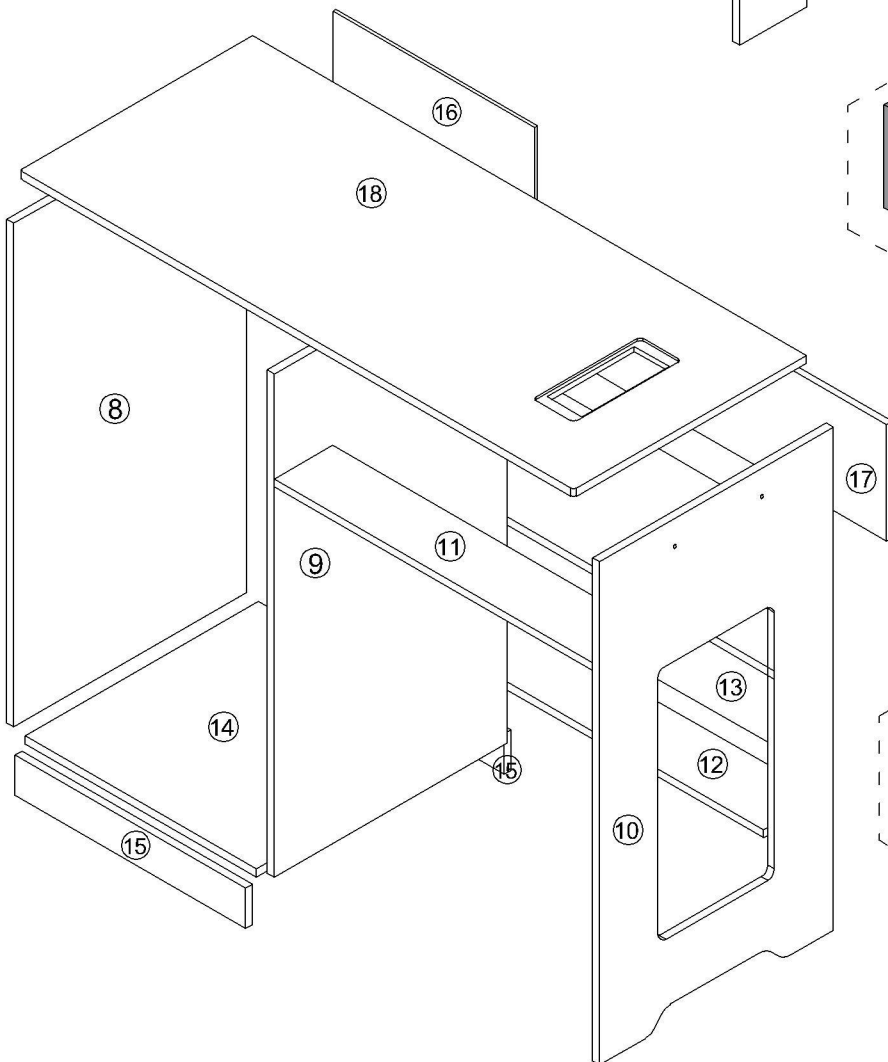
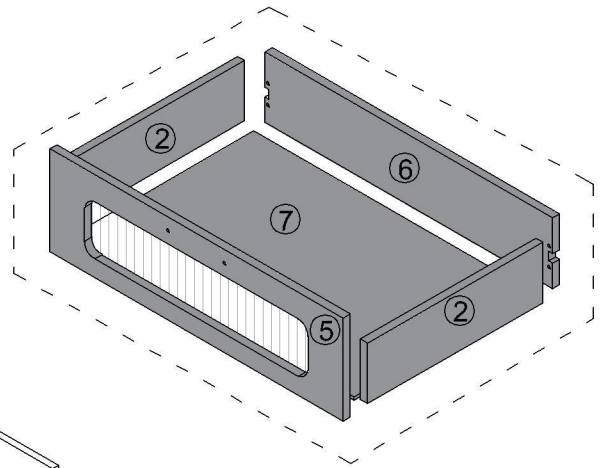
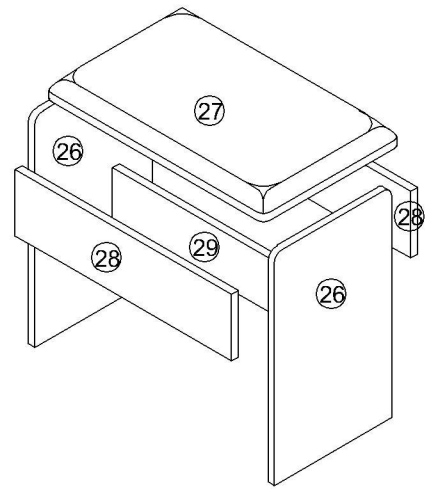
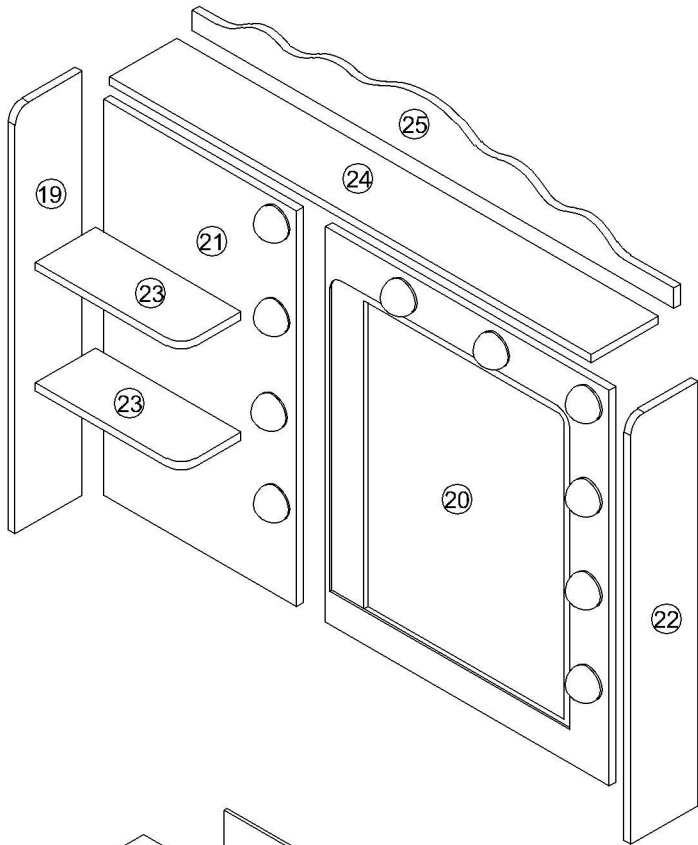
Step 3



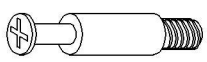

C	 1pcs	 2pcs	x 4
B		x 4	

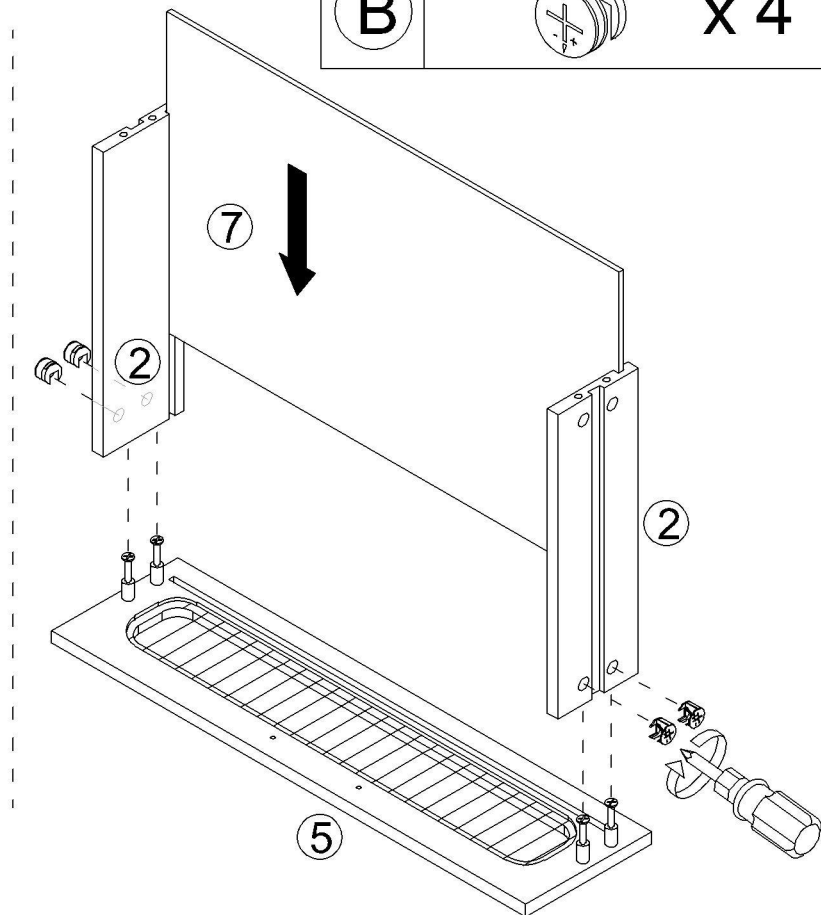
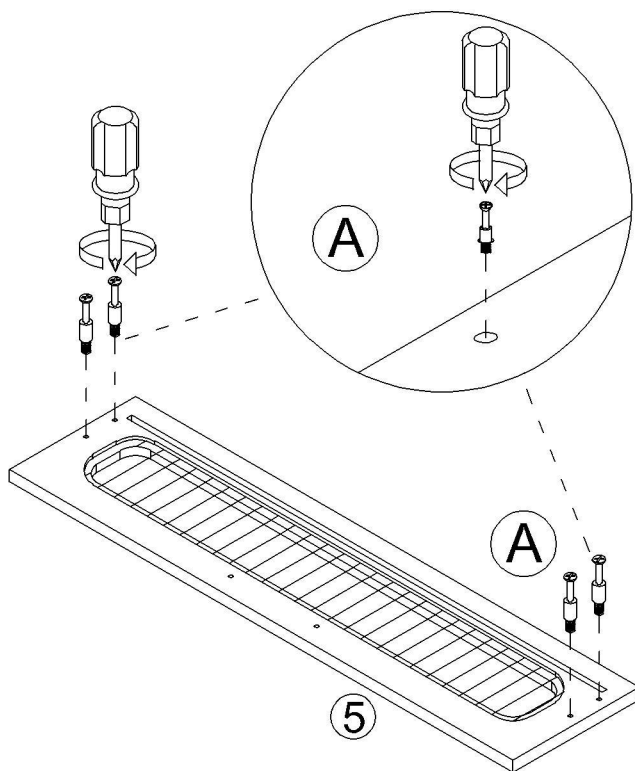


Repeat the first, second, and third steps four times

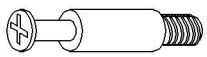


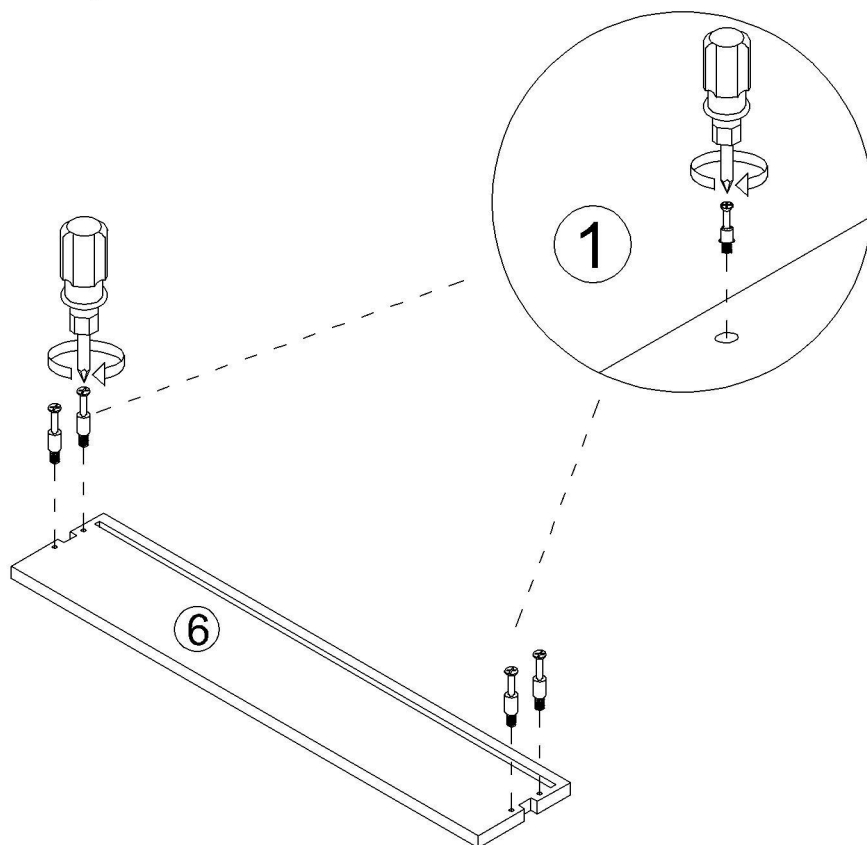
Step 4

A		x 4
B		x 4



Step 5

A		x 4
---	---	-----

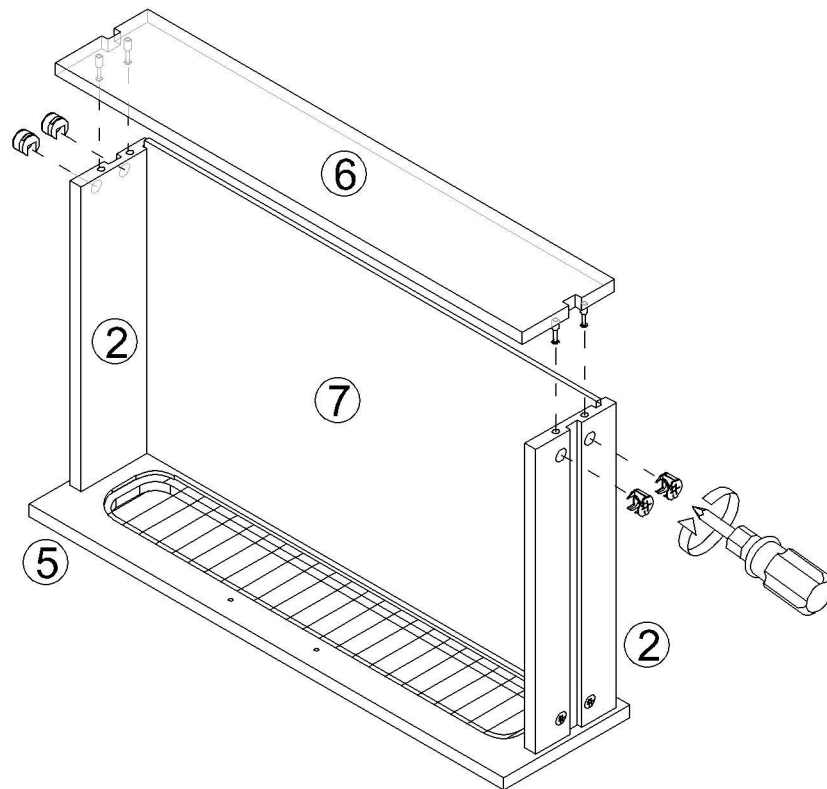


Step 6

B

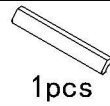


x 4



Step 7

C

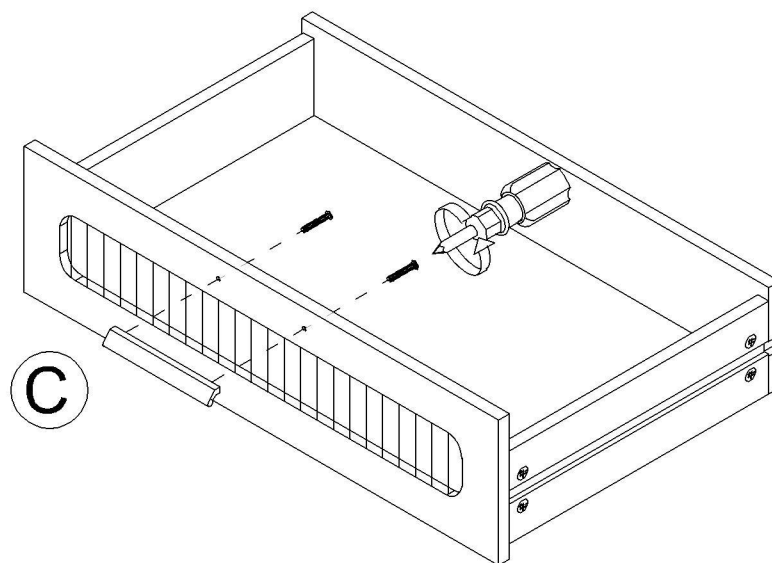


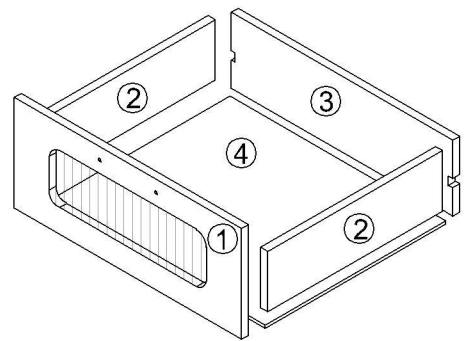
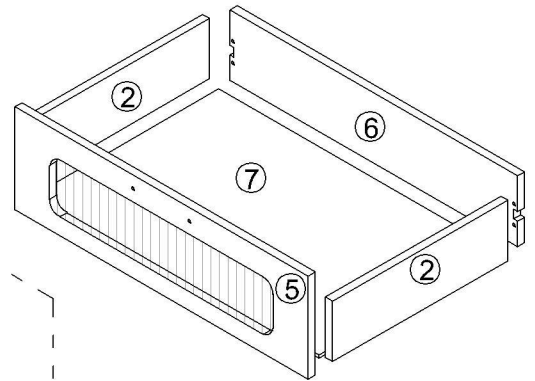
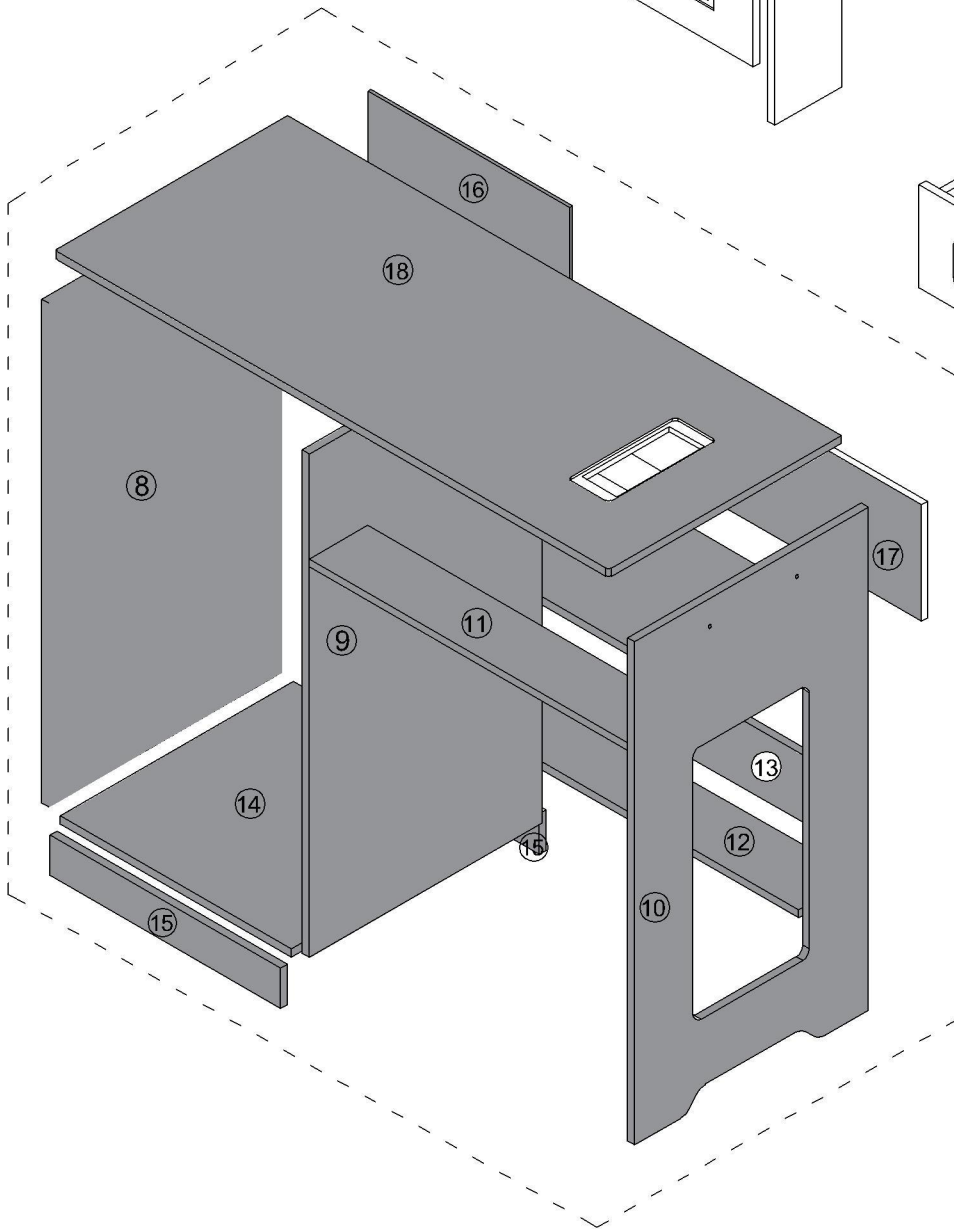
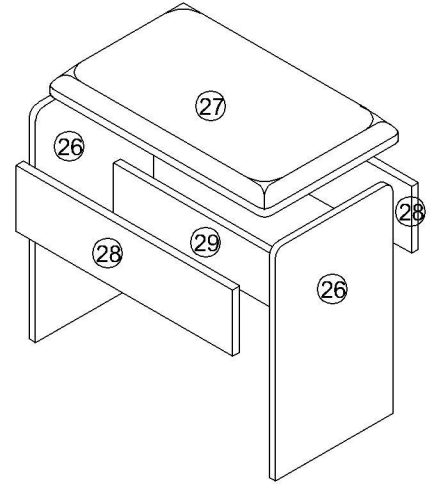
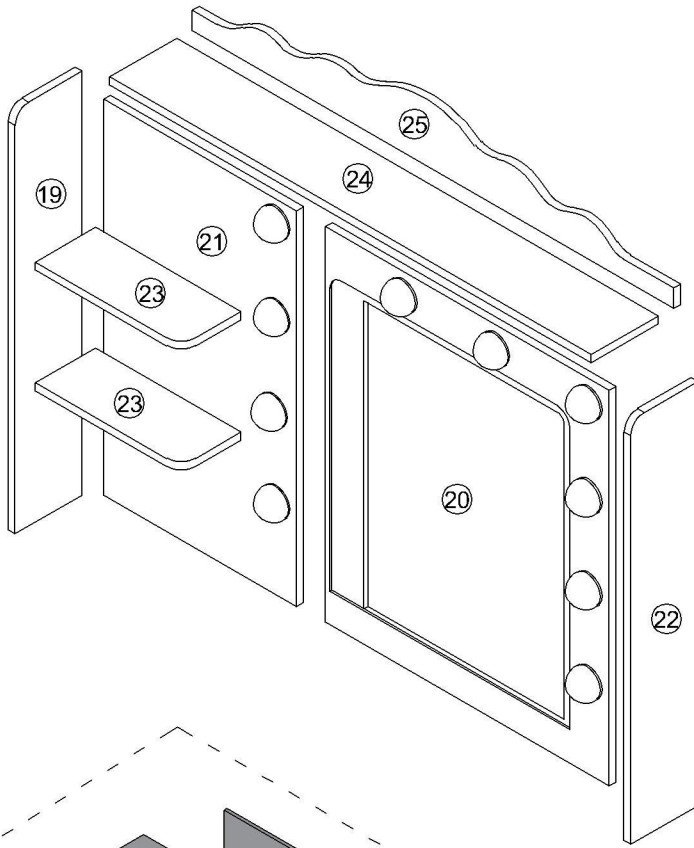
1pcs



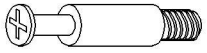
2pcs

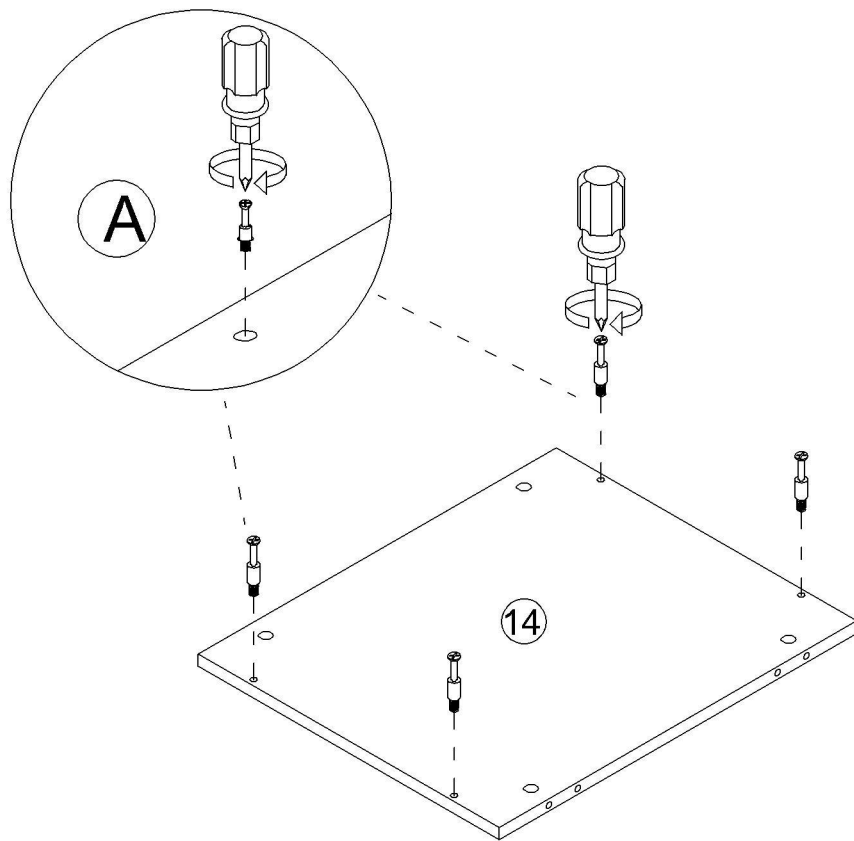
x 1





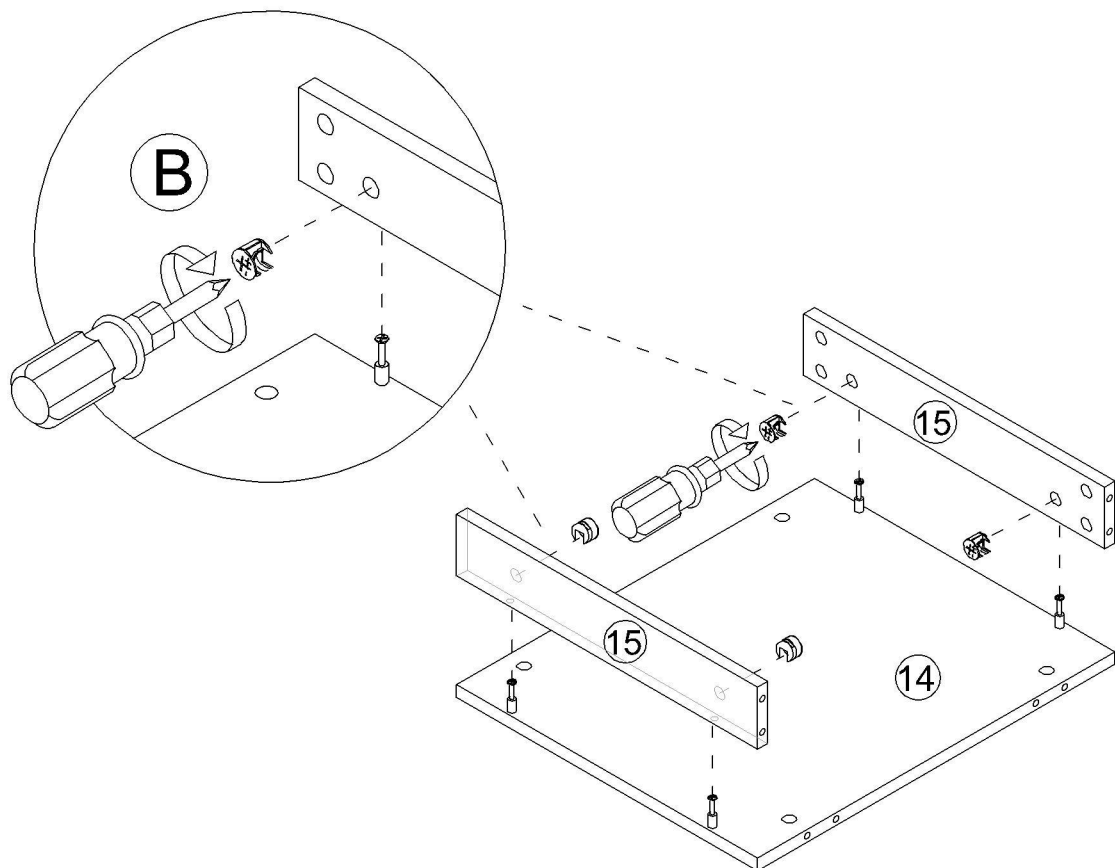
Step 8

A  x 4

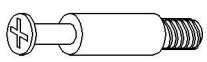
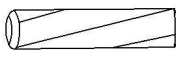
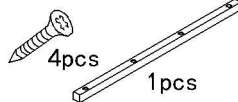


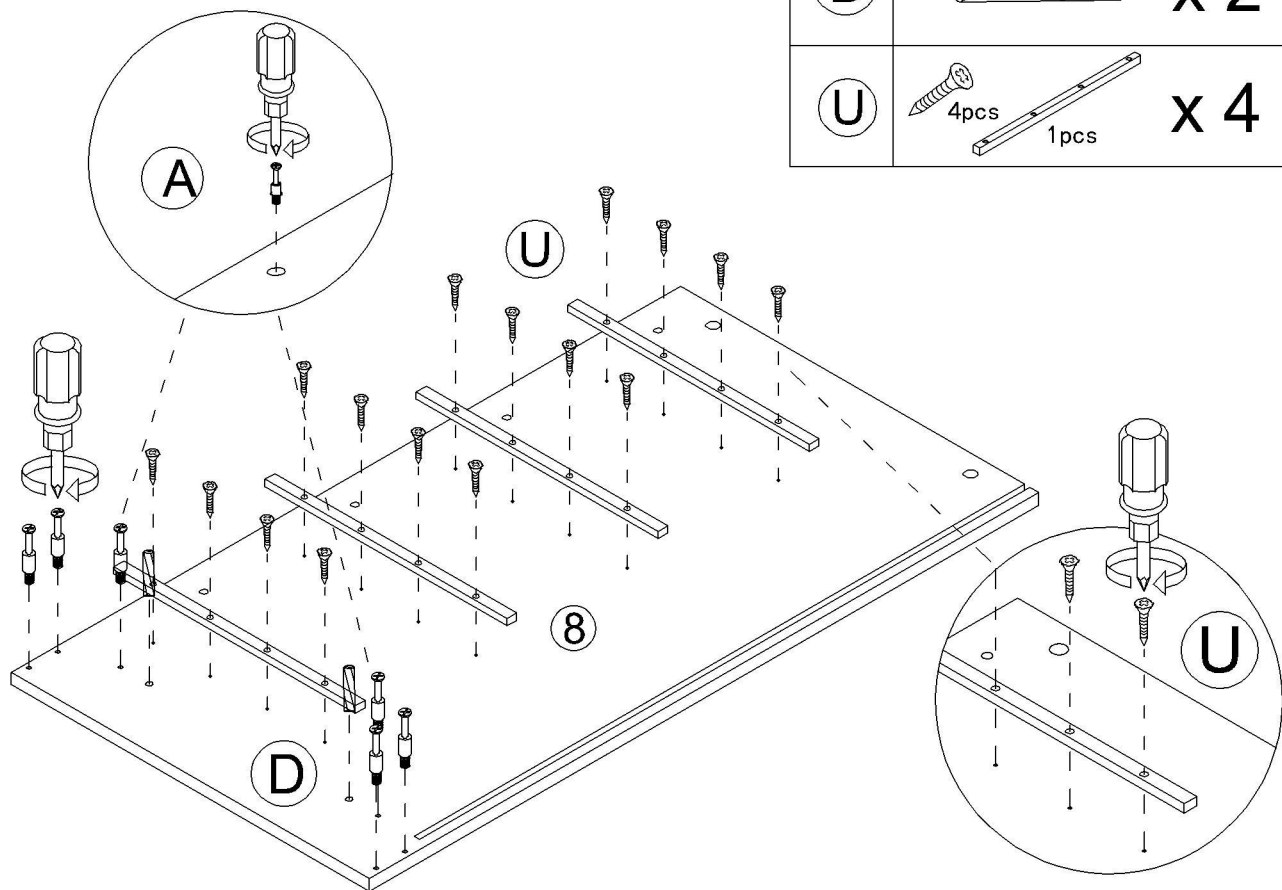
Step 9

B  x 4



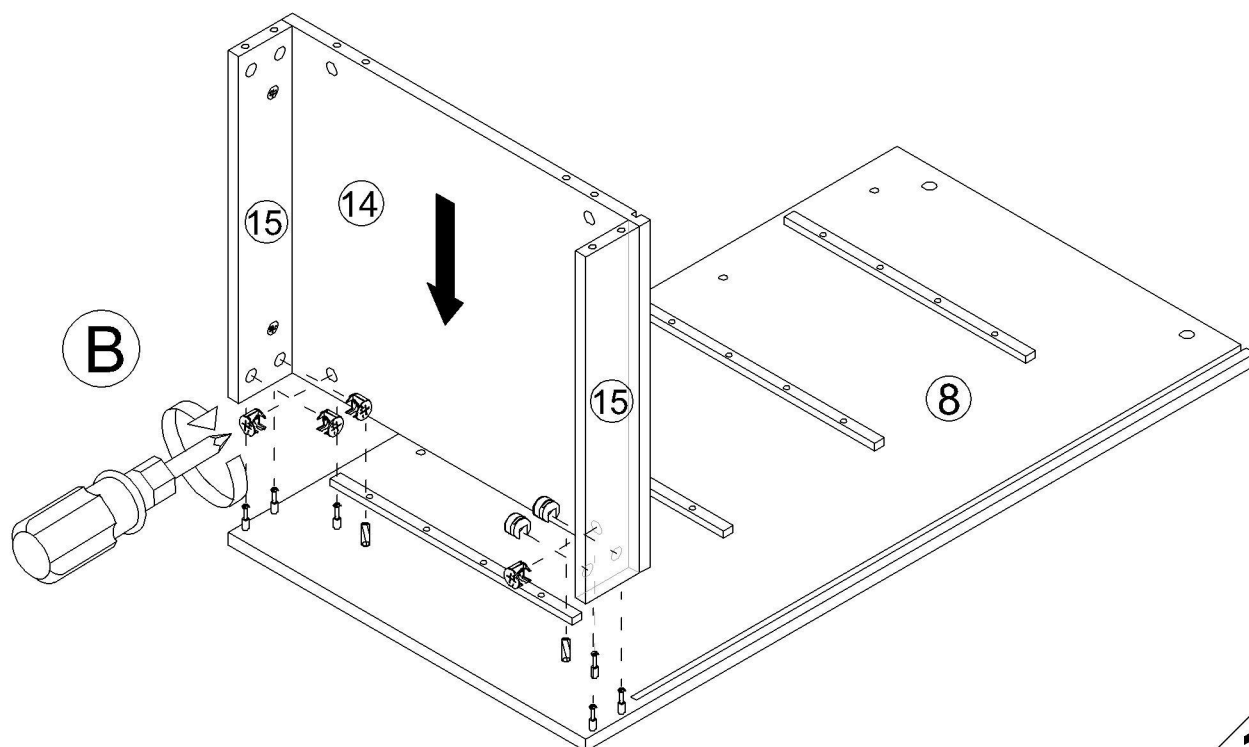
Step 10

A		x 6
D		x 2
U		4pcs 1pcs x 4

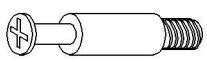
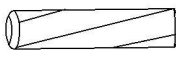
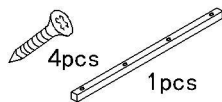


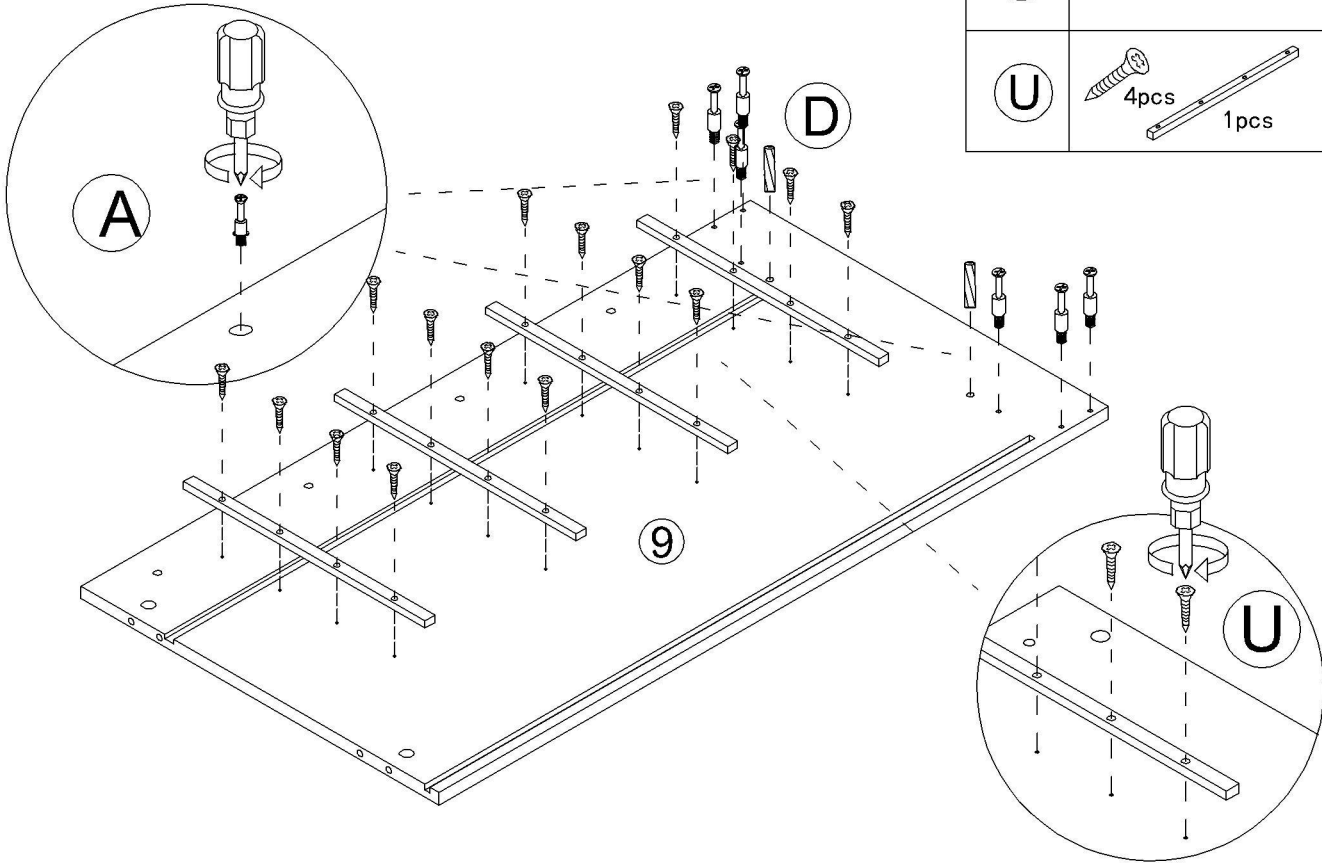
Step 11

B		x 6
----------	---	-----


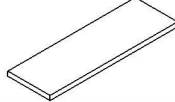


Step 12

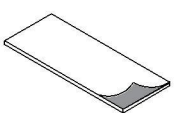
A		x 6
D		x 2
U		x 4



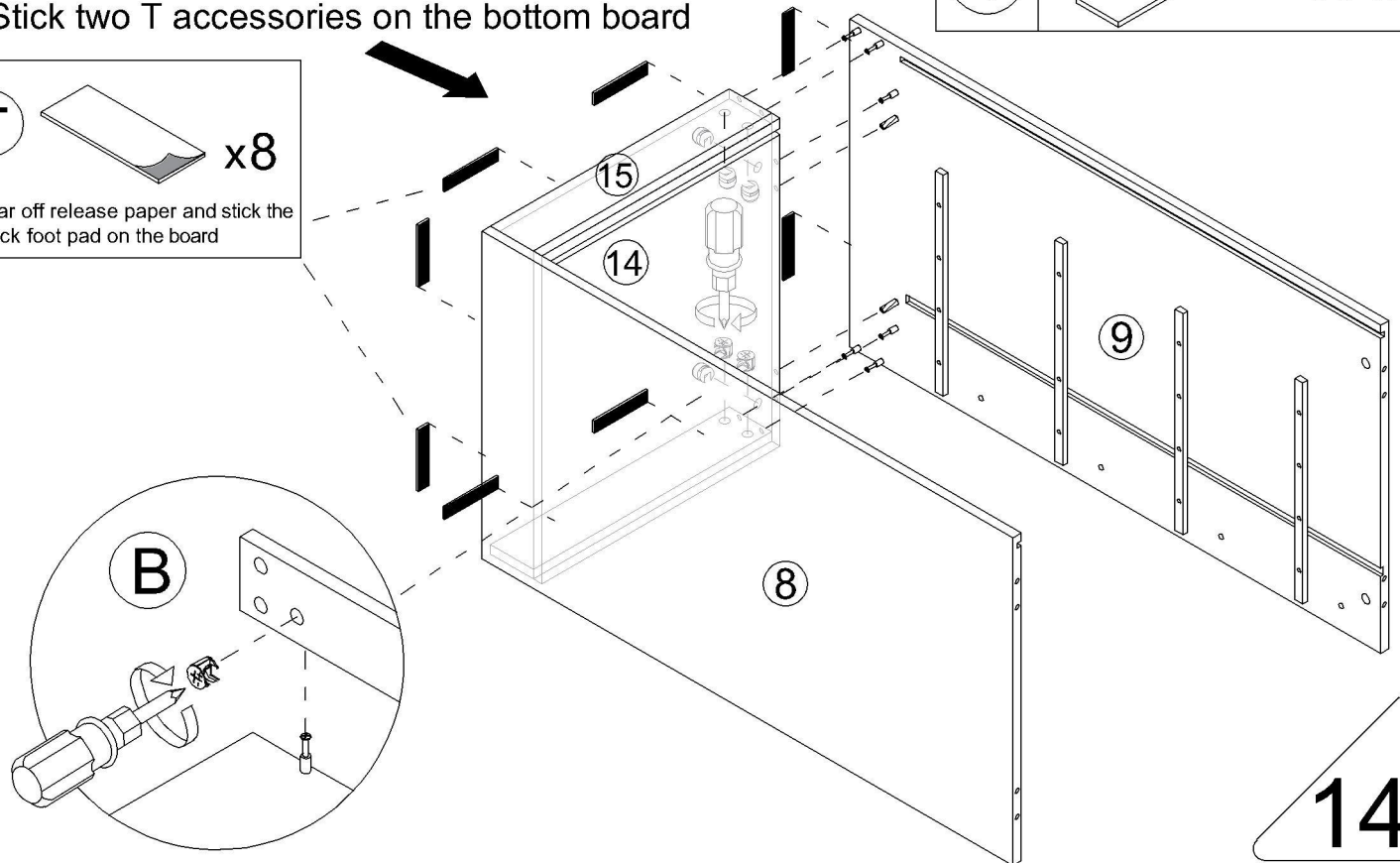
Step 13

B		x 6
T		x 8



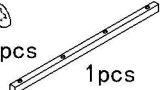
Stick two T accessories on the bottom board

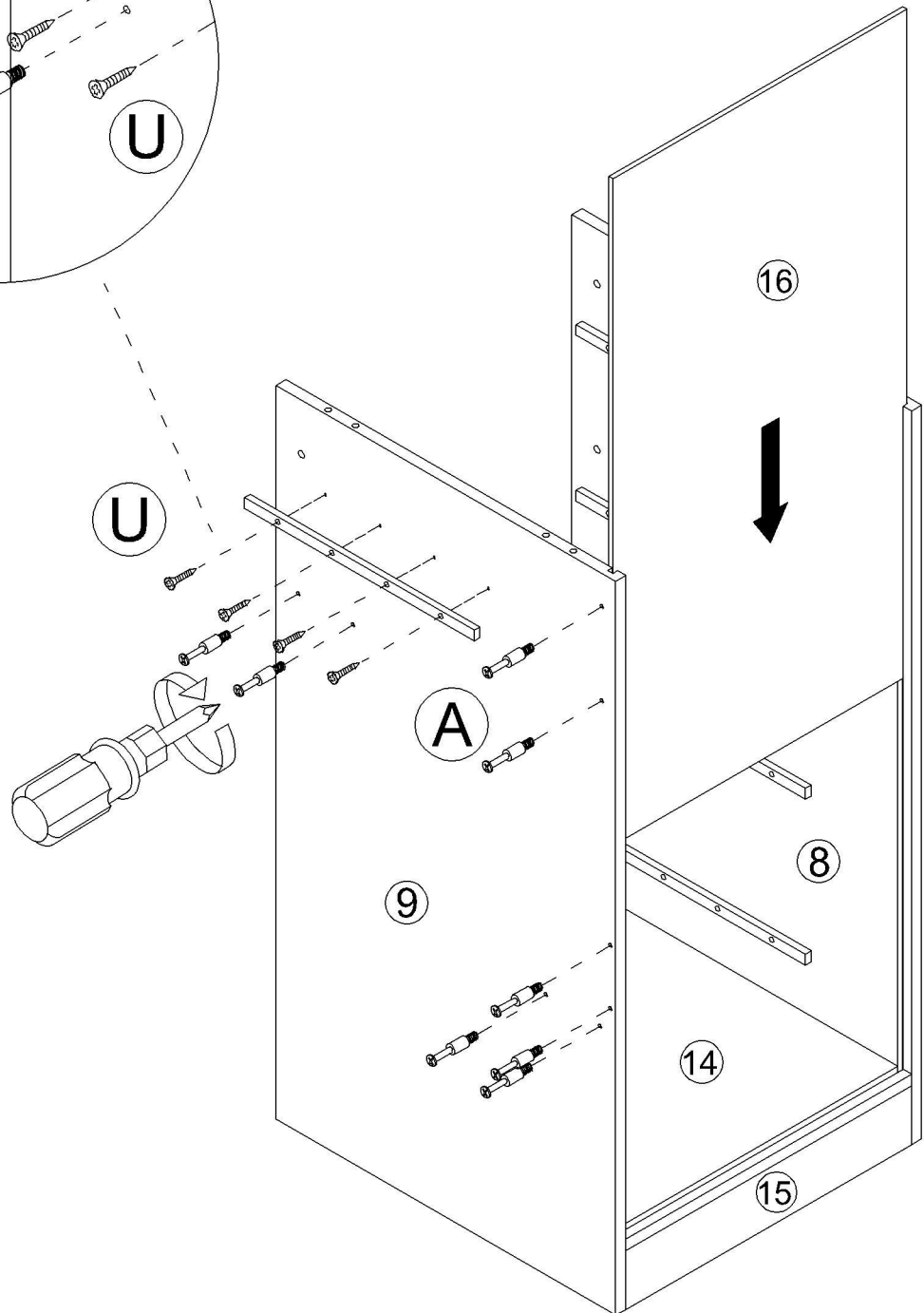
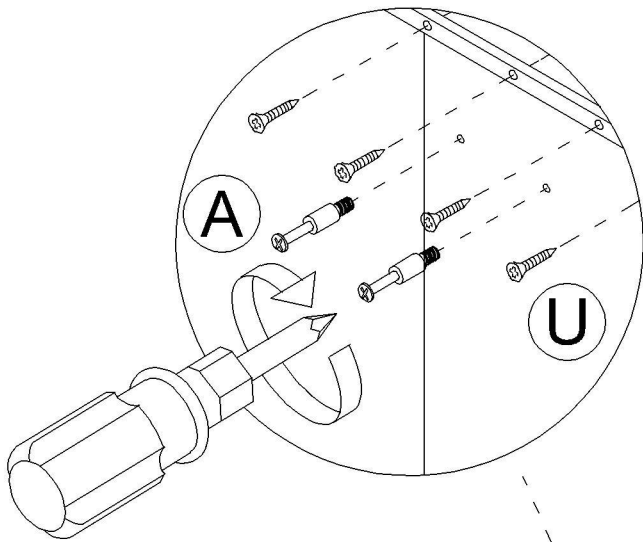
T  x8

Tear off release paper and stick the black foot pad on the board



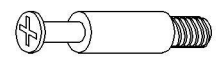
Step 14

A	 x 8
U	 4pcs  1pcs x 1

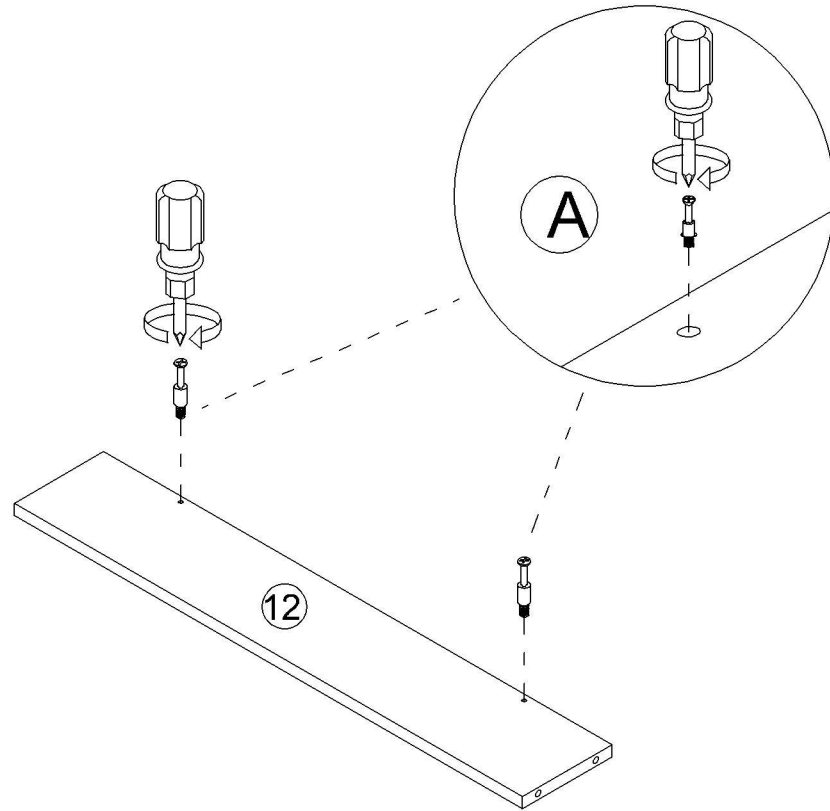


Step 15

A



x 2

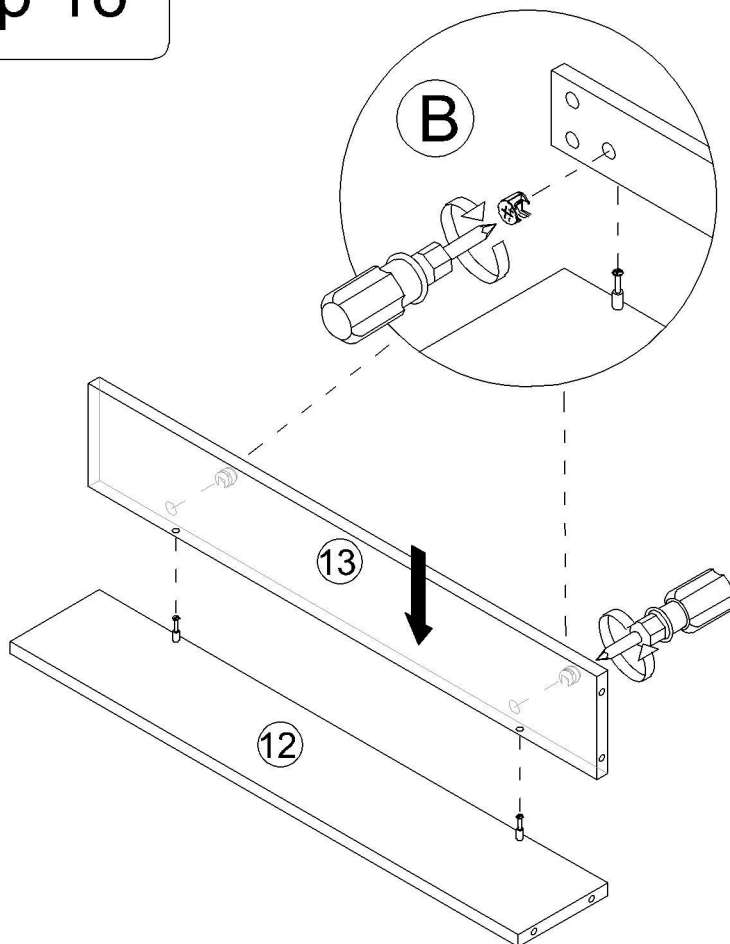


Step 16

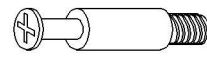
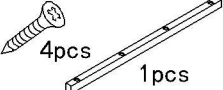

B

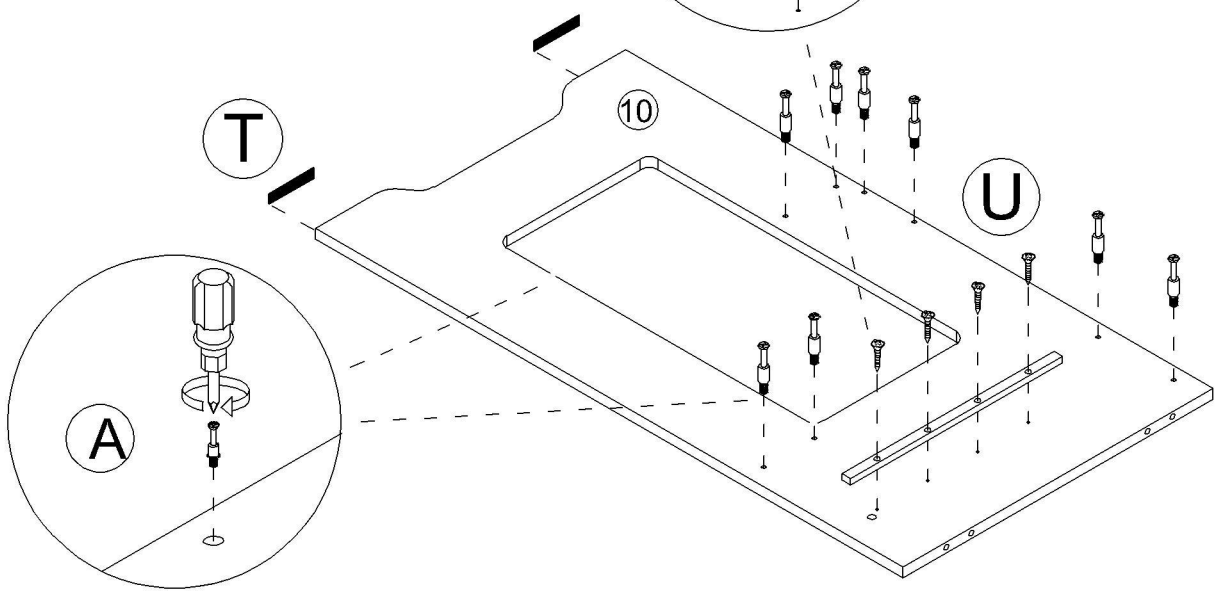


x 2




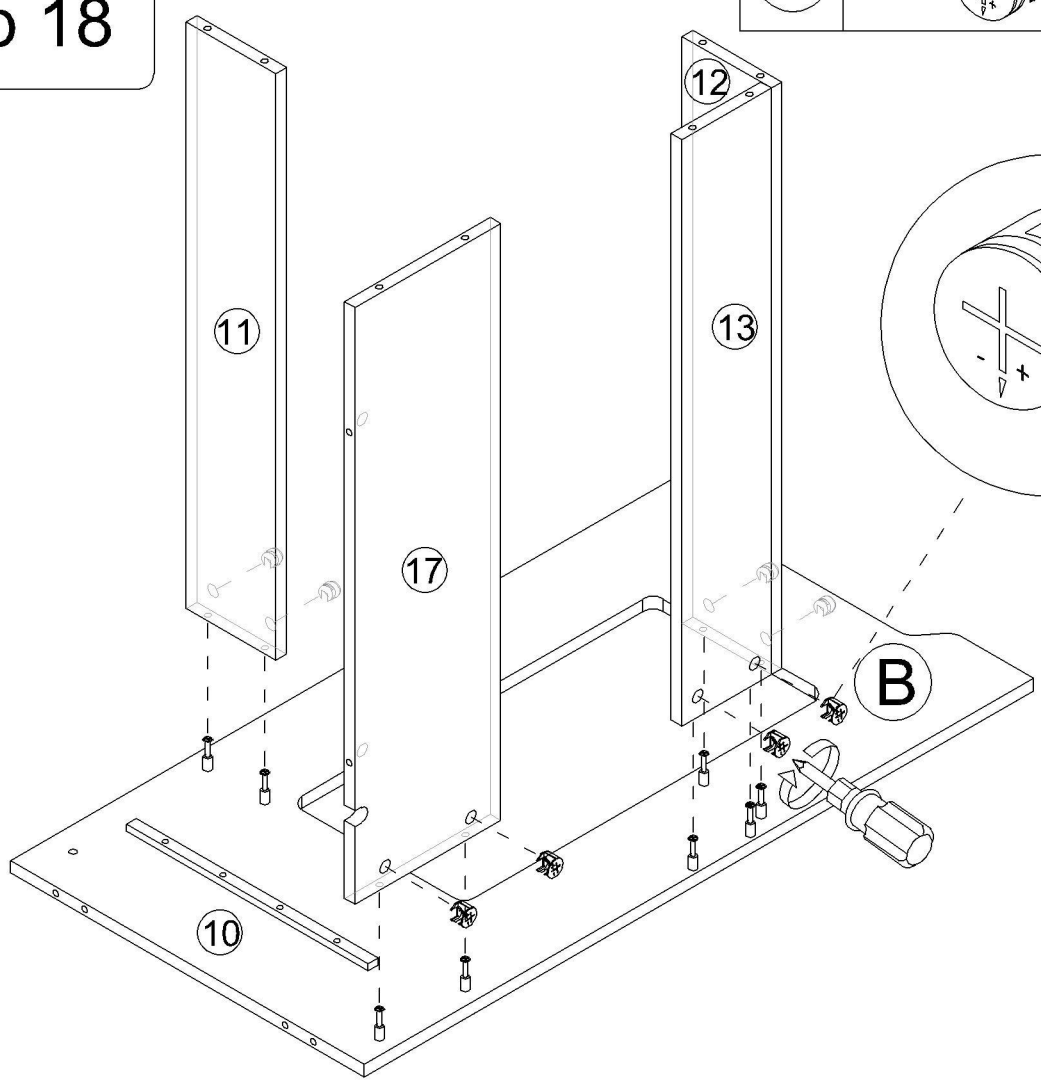
Step 17

A		x 8
U		x 1
T		x 2



Step 18

B		x 8
---	---	-----



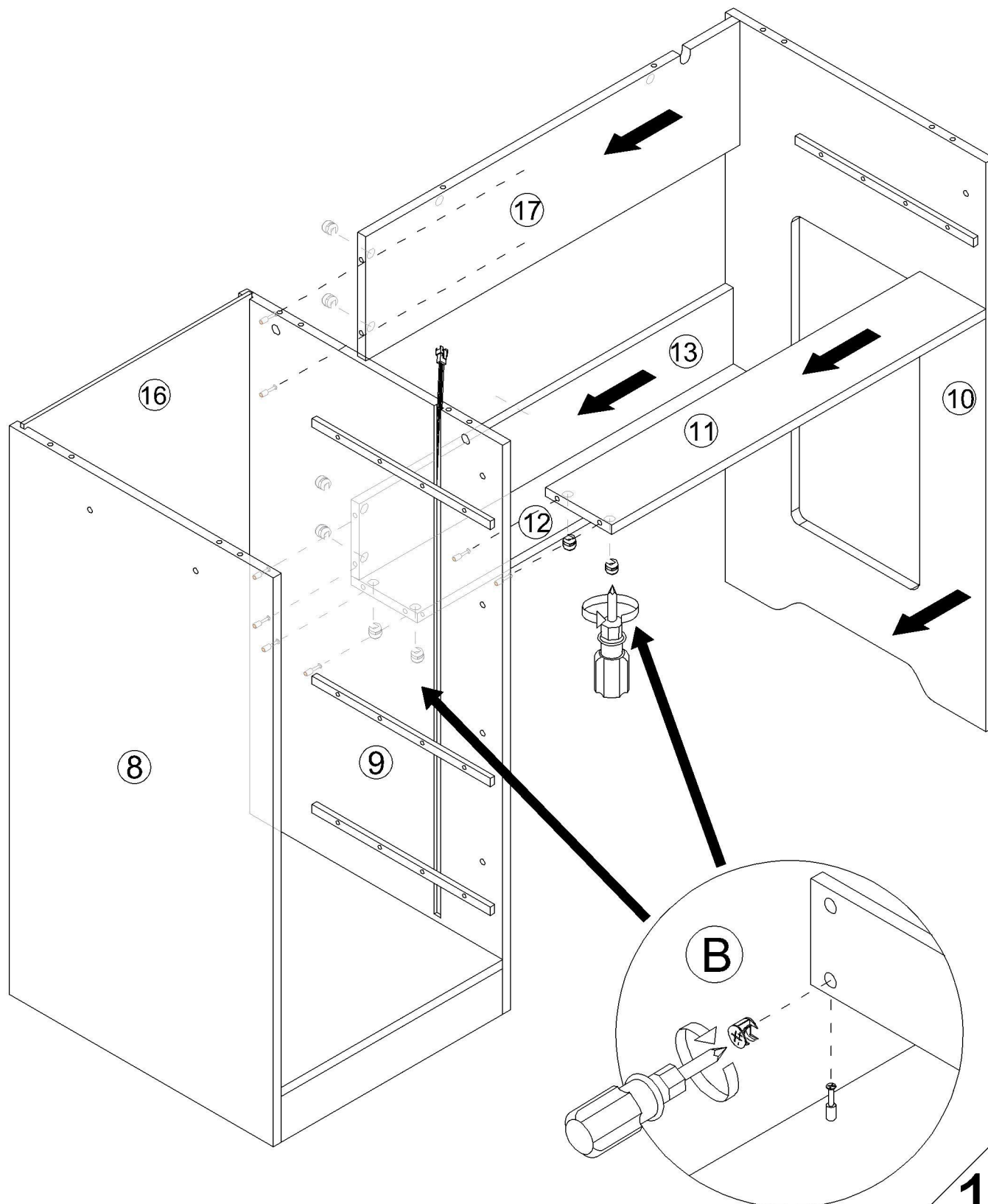
Step 19

B



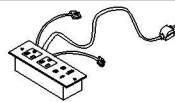
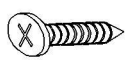
x 8

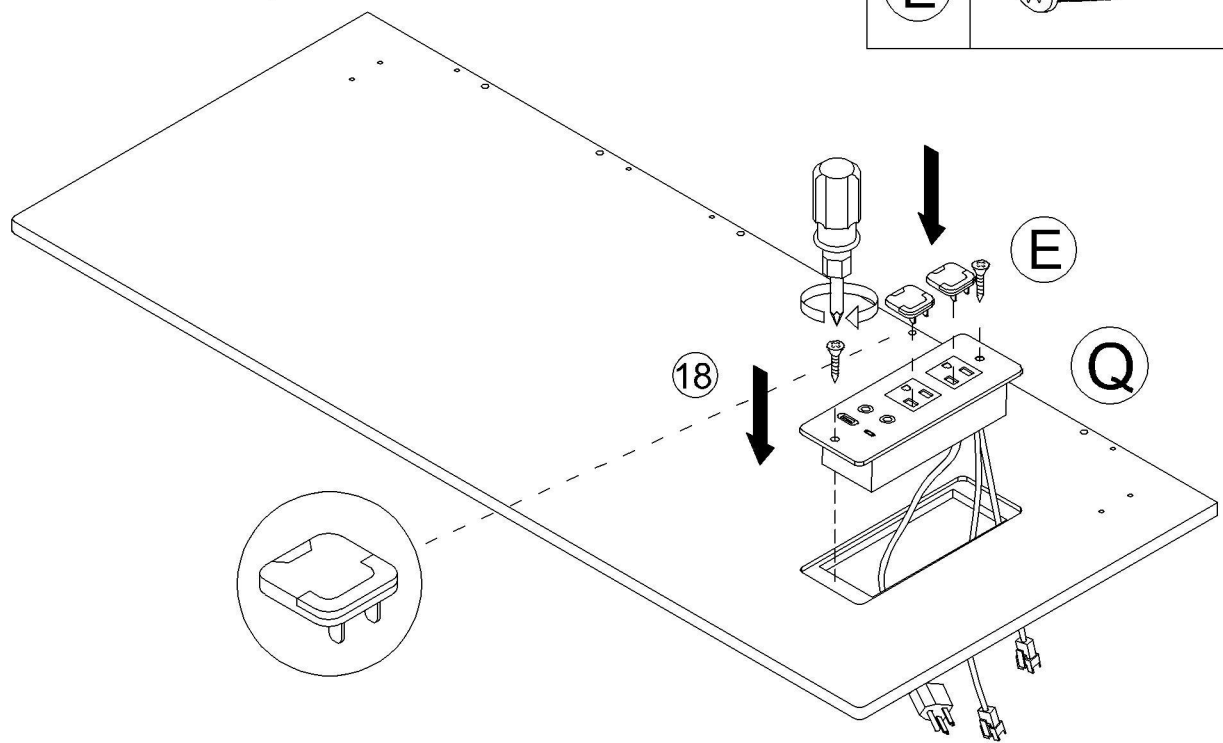
When installing this step by one person, it is recommended to install the cabinet backwards to prevent damage to the board. Two people can continue with the following steps as shown in the figure. It's been hard, but you can take a break before continuing



18

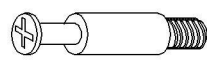



Step 20

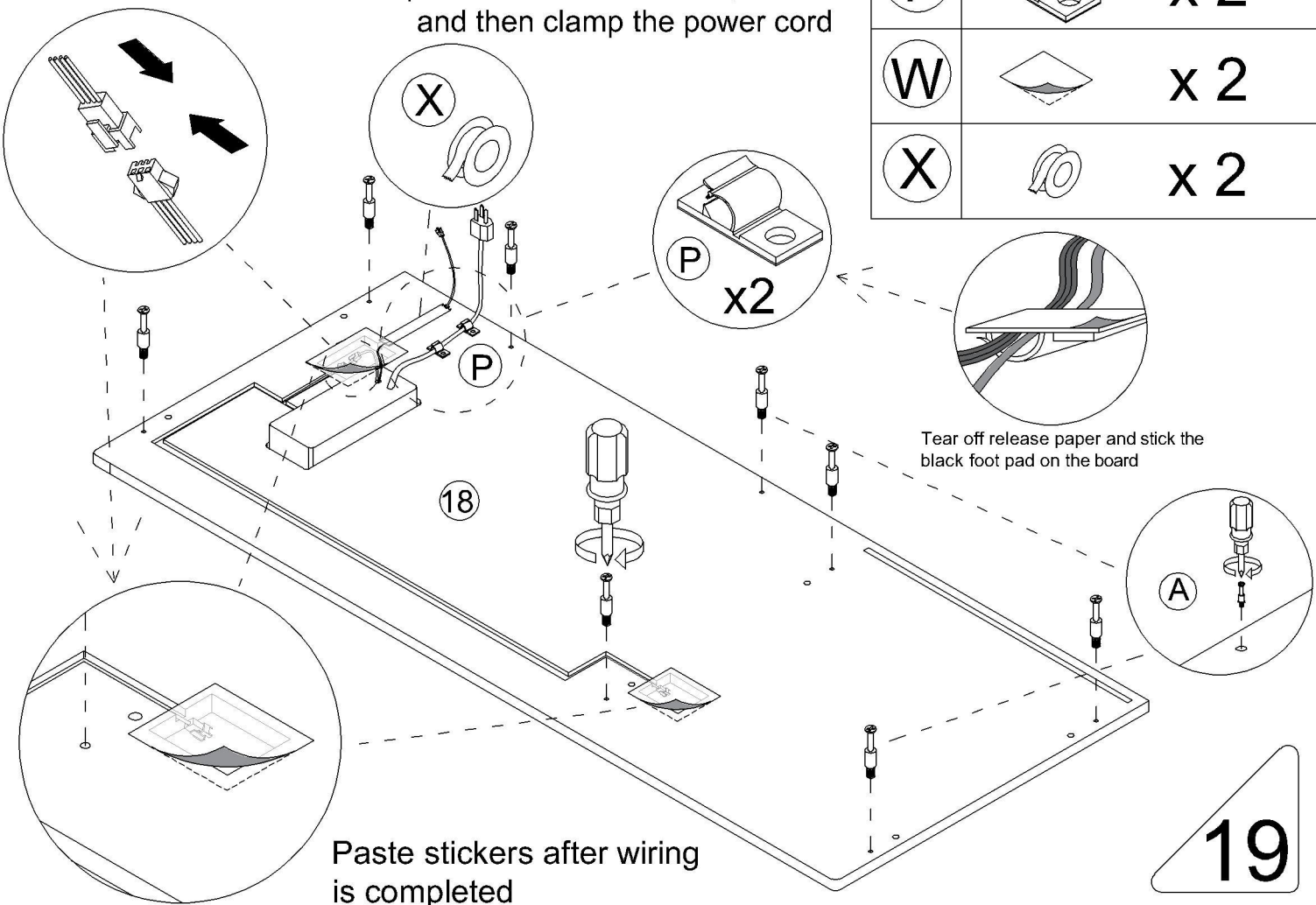
Q		x 1
E		x 2



Step 21

Place the wire clip in a suitable position on the 18 board, and then clamp the power cord

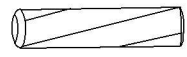
A		x 8
P		x 2
W		x 2
X		x 2



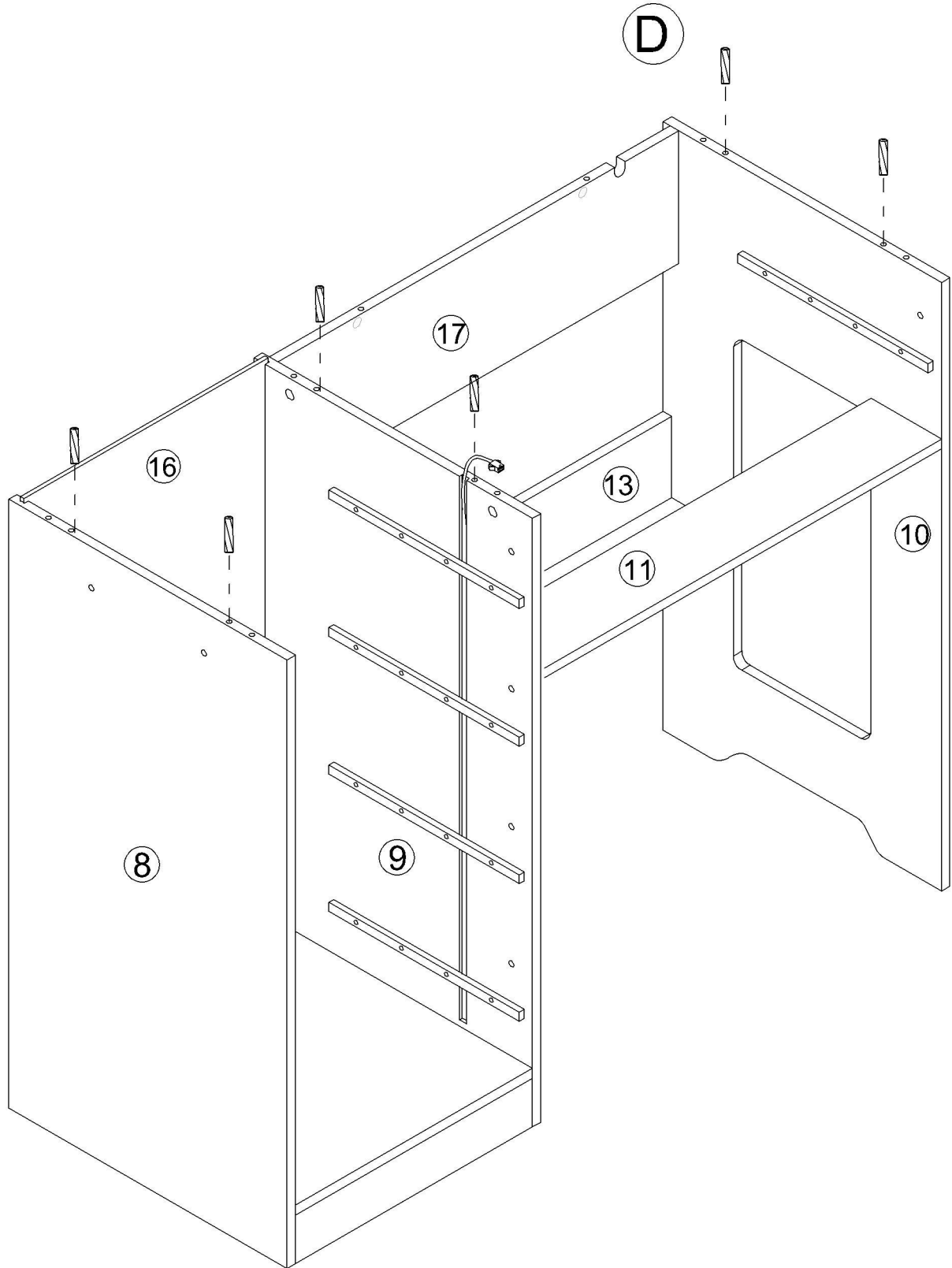
Paste stickers after wiring is completed

Step 22

D



x 6

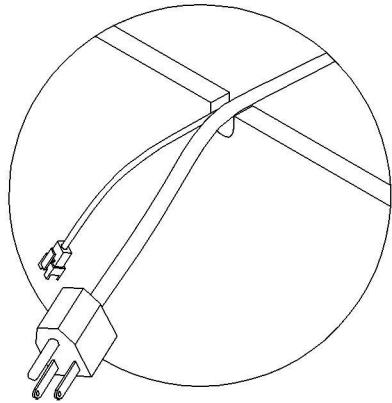


Step 23

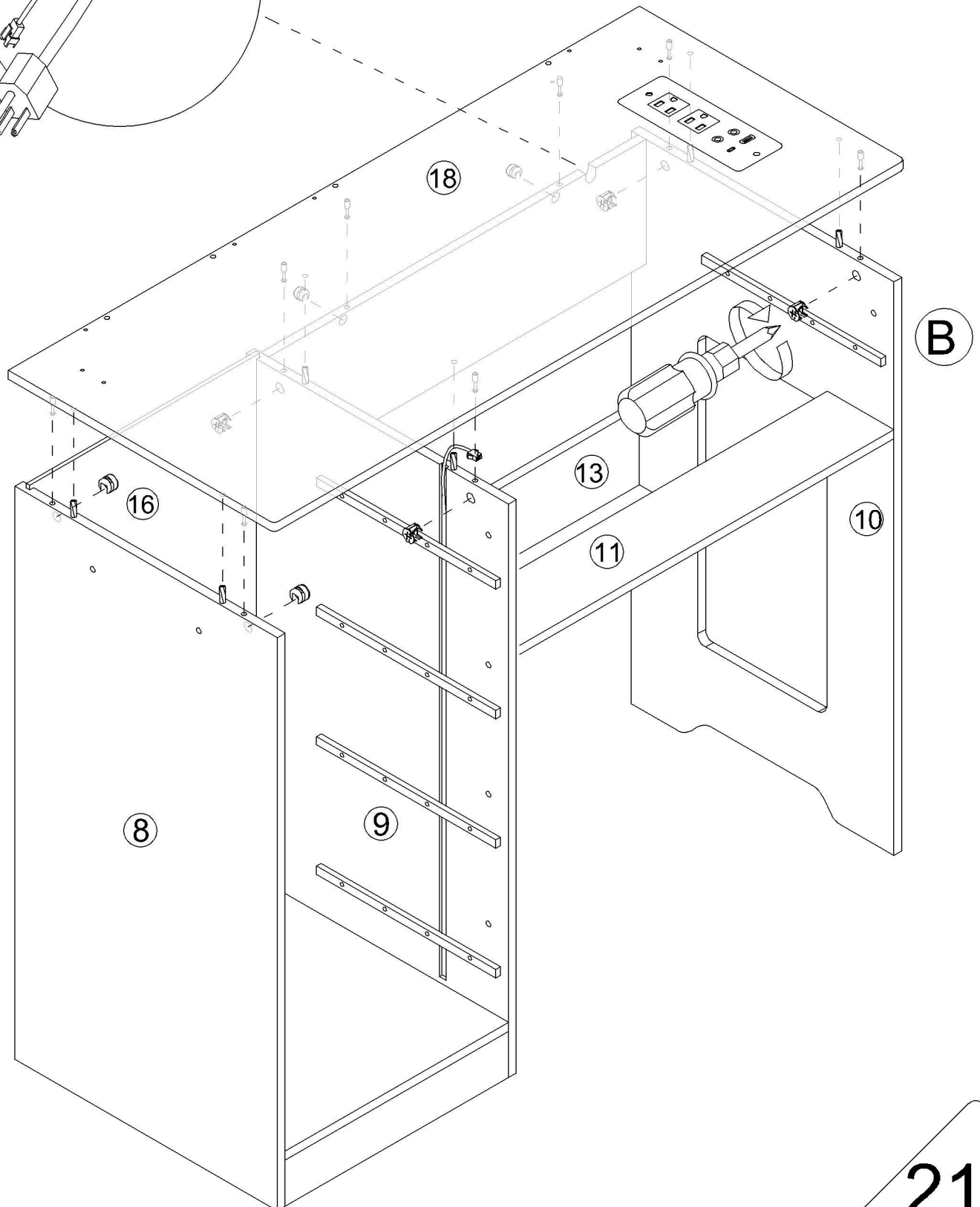
B



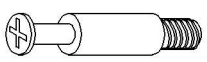
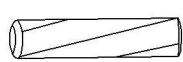
x 8

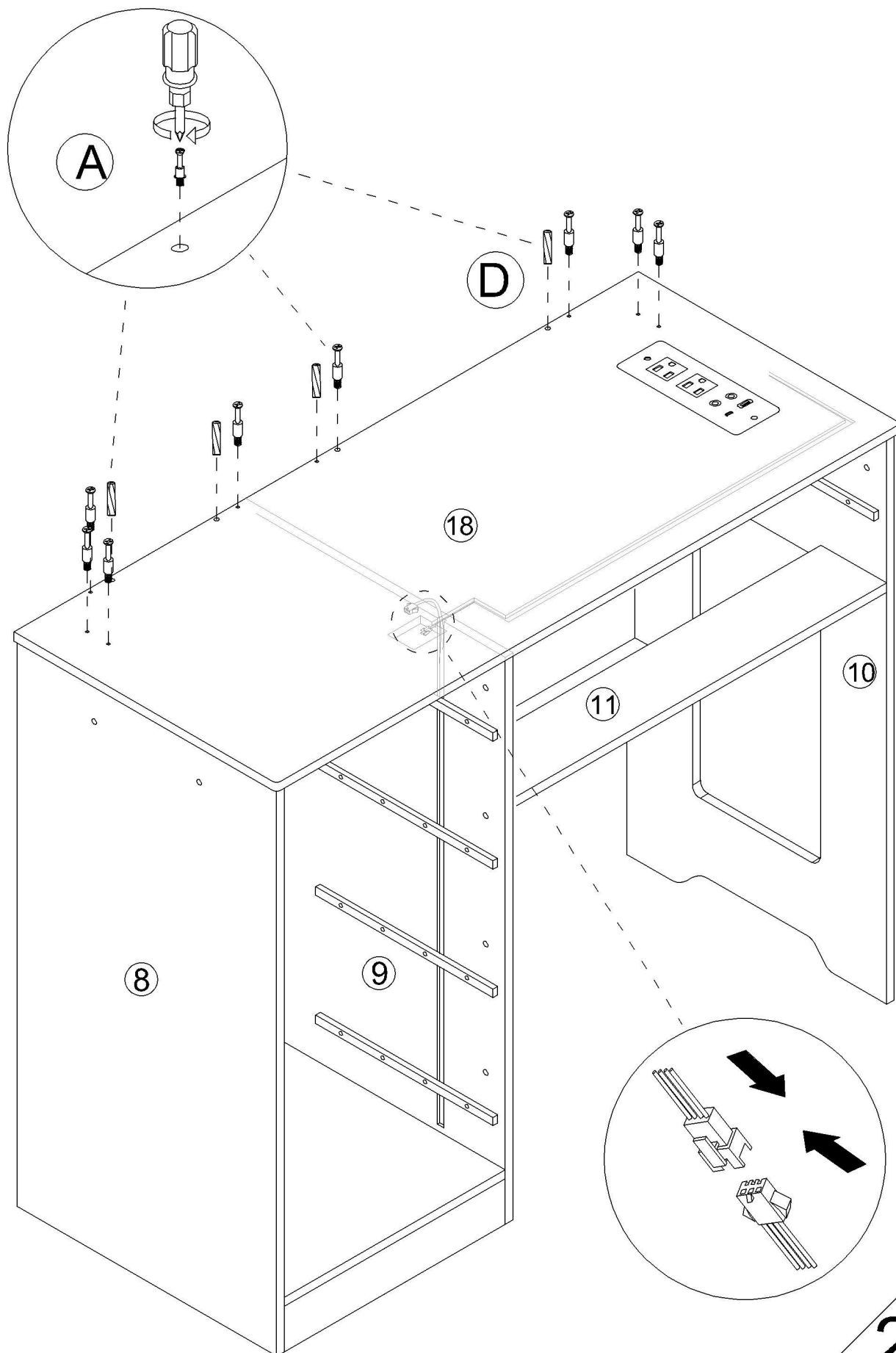


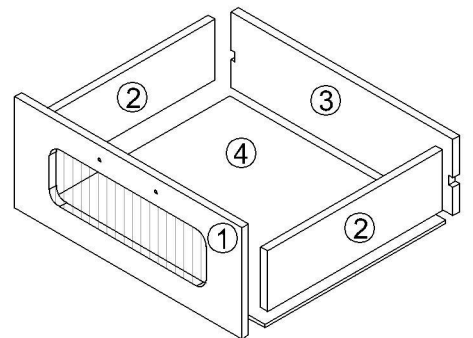
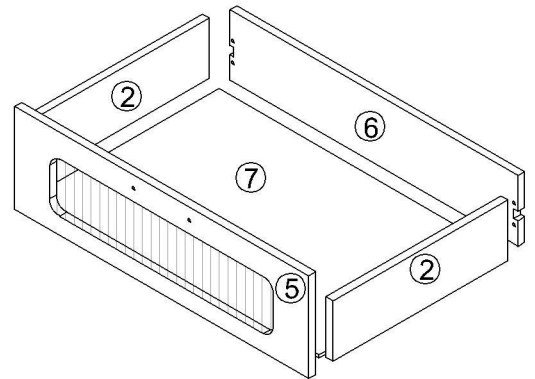
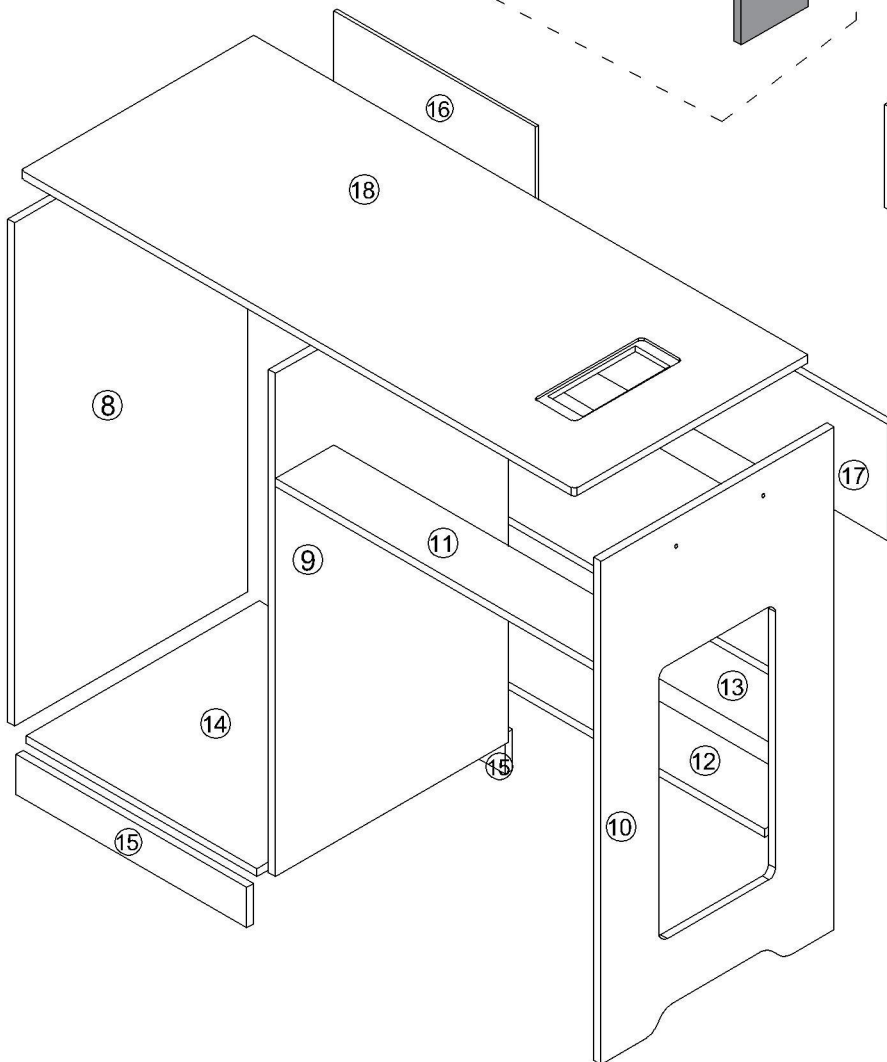
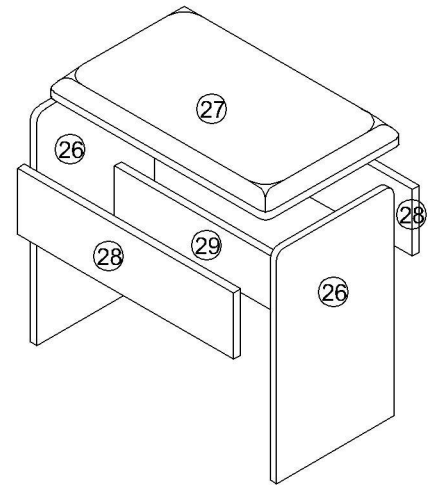
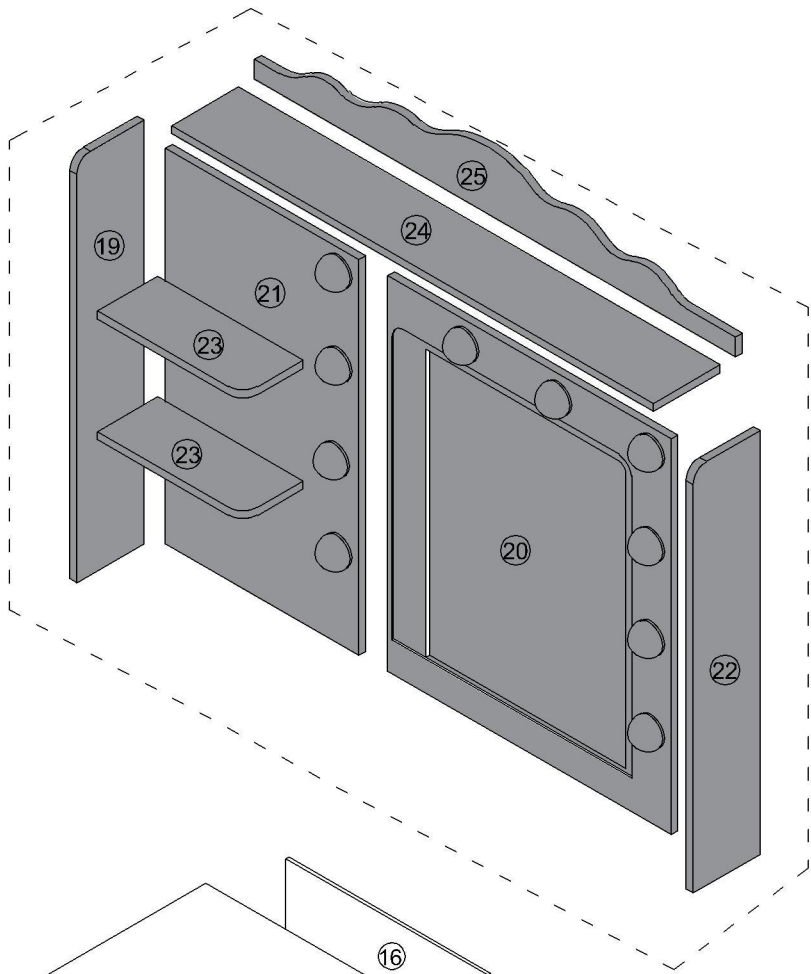
The power cable is routed from the cable trough



Step 24

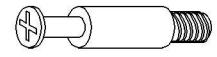
A	 x 8
D	 x 4



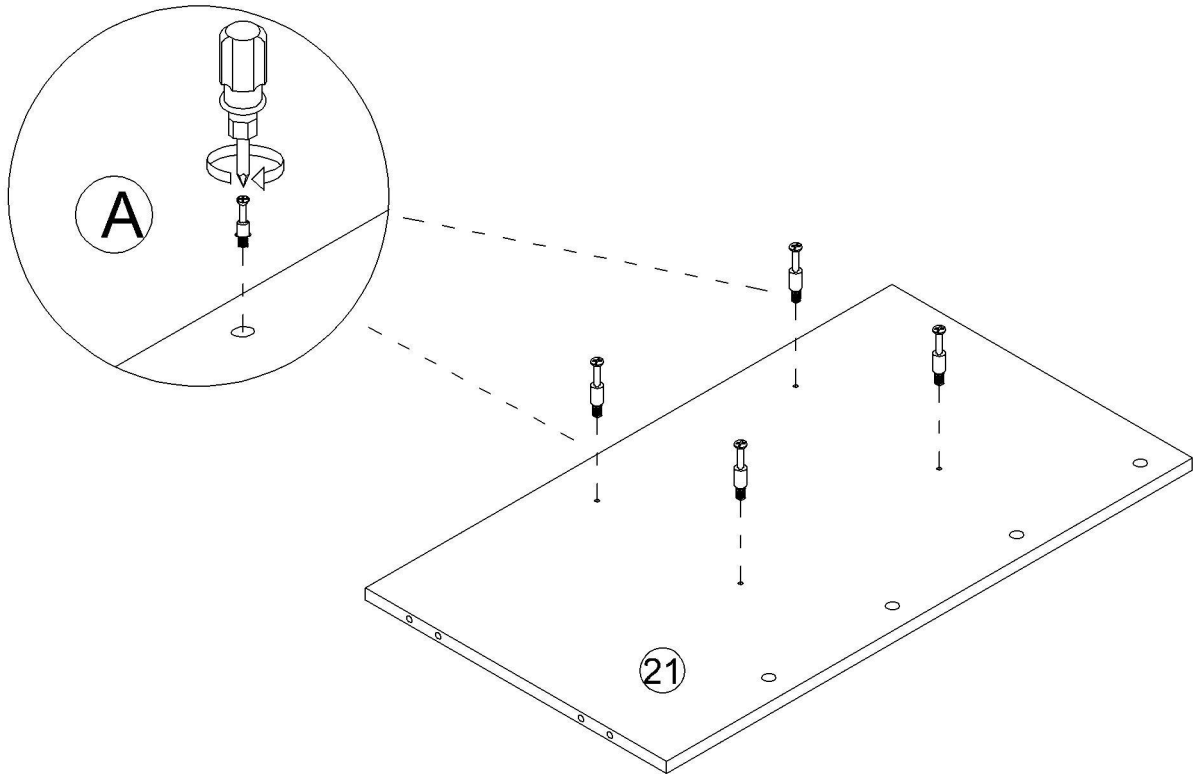


Step 25

A

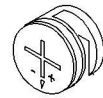


x 4

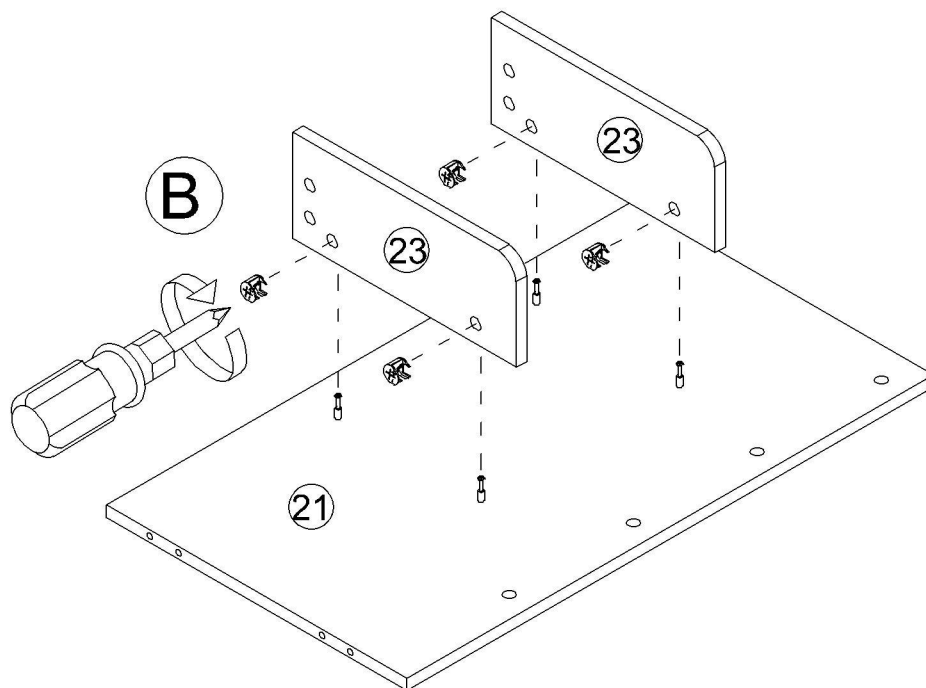


Step 26



B

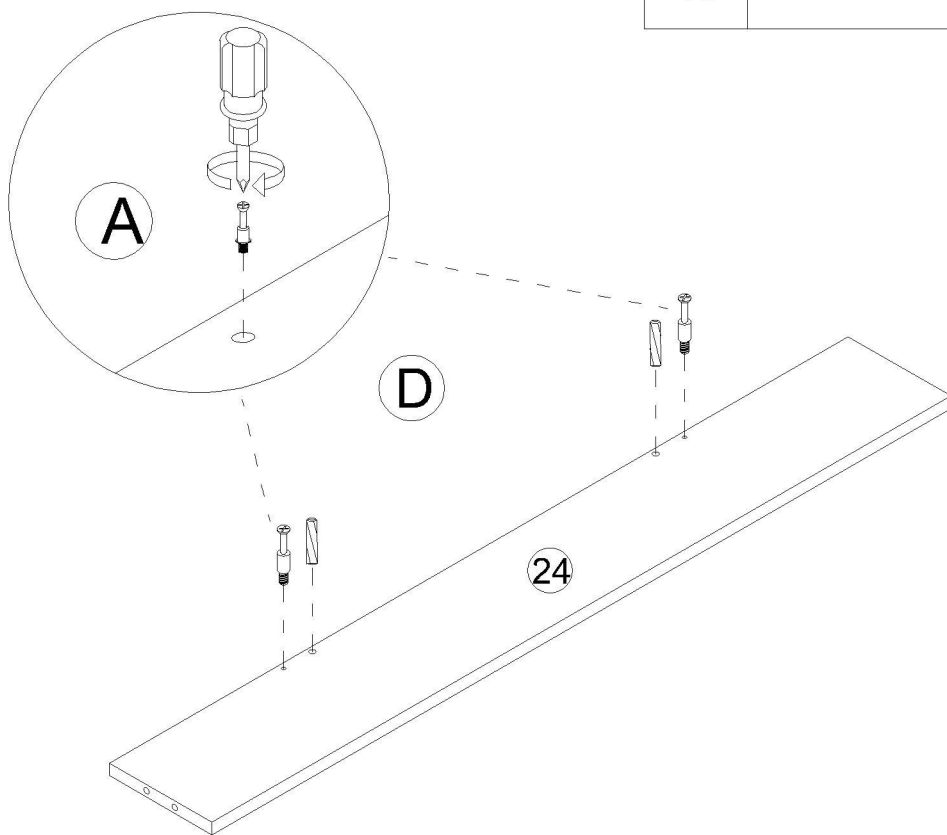


x 4




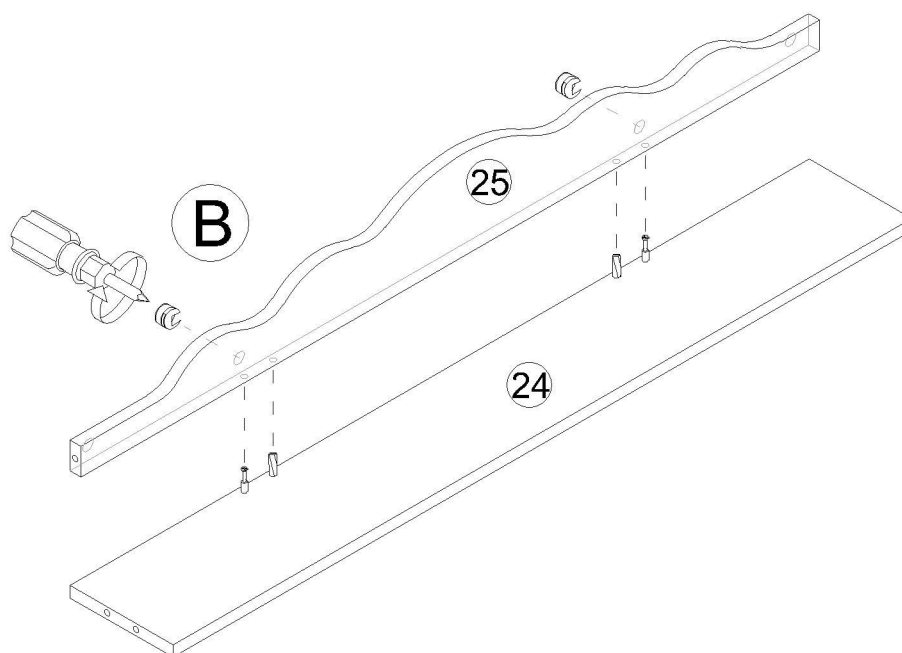
Step 27

A		x 2
D		x 2





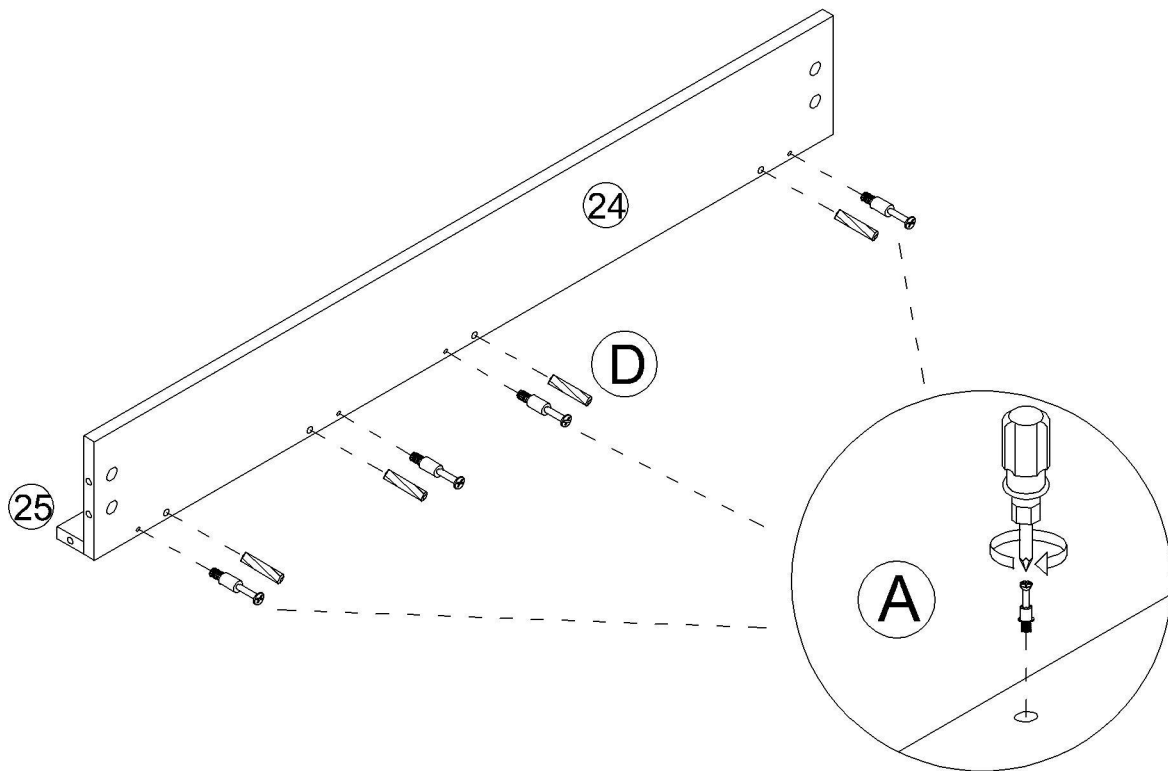
Step 28

B		x 2
---	---	-----




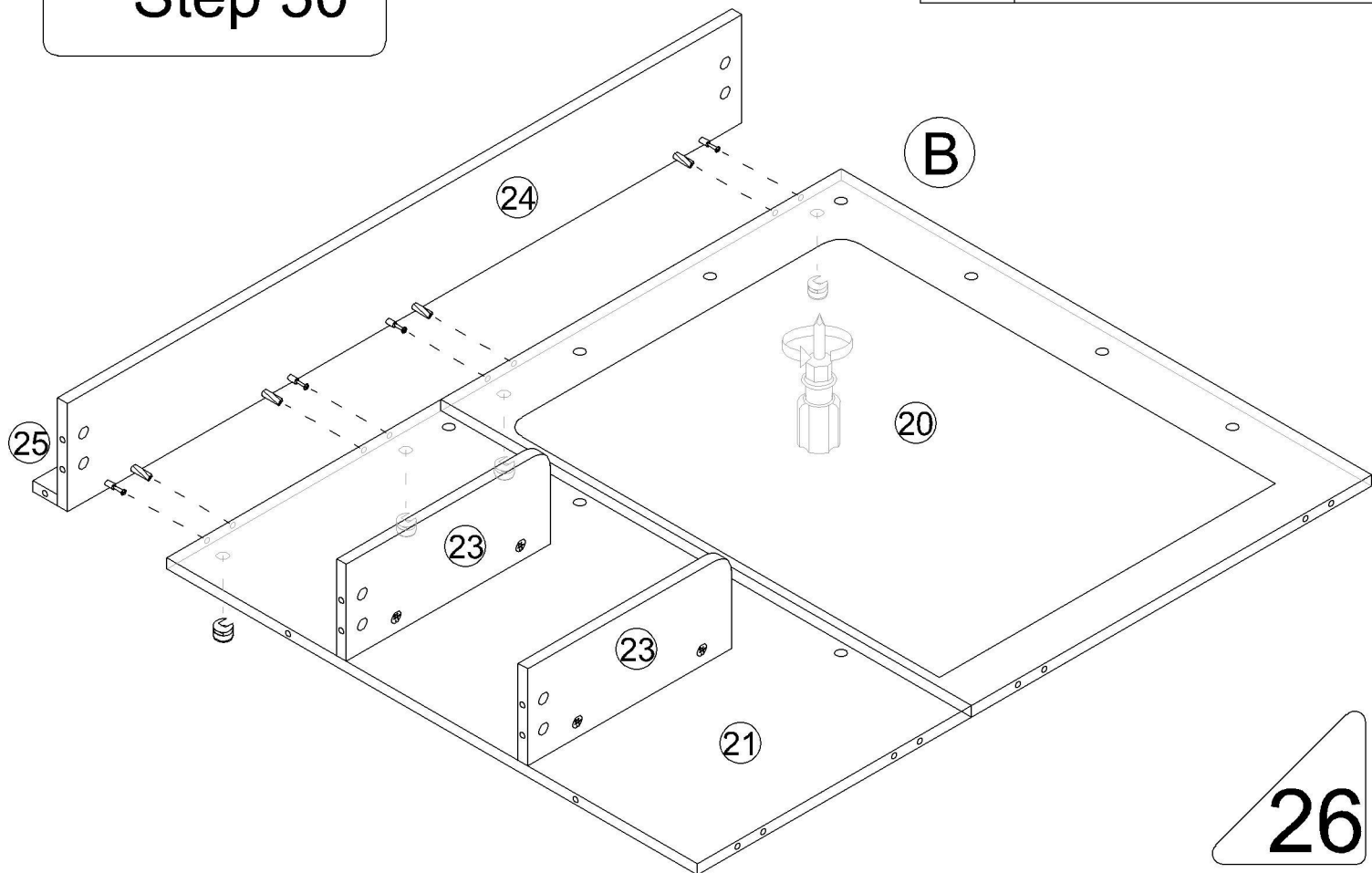
Step 29

A	 x 4
D	 x 4



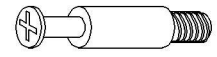
Step 30

B	 x 4
----------	---

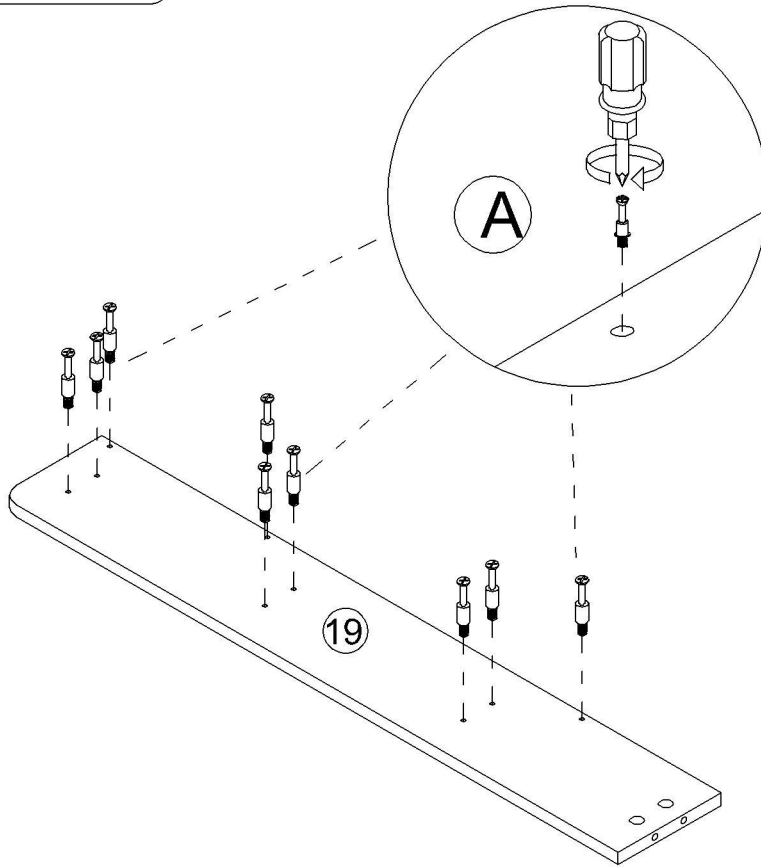


Step 31

A

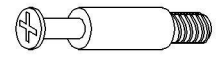


x 9

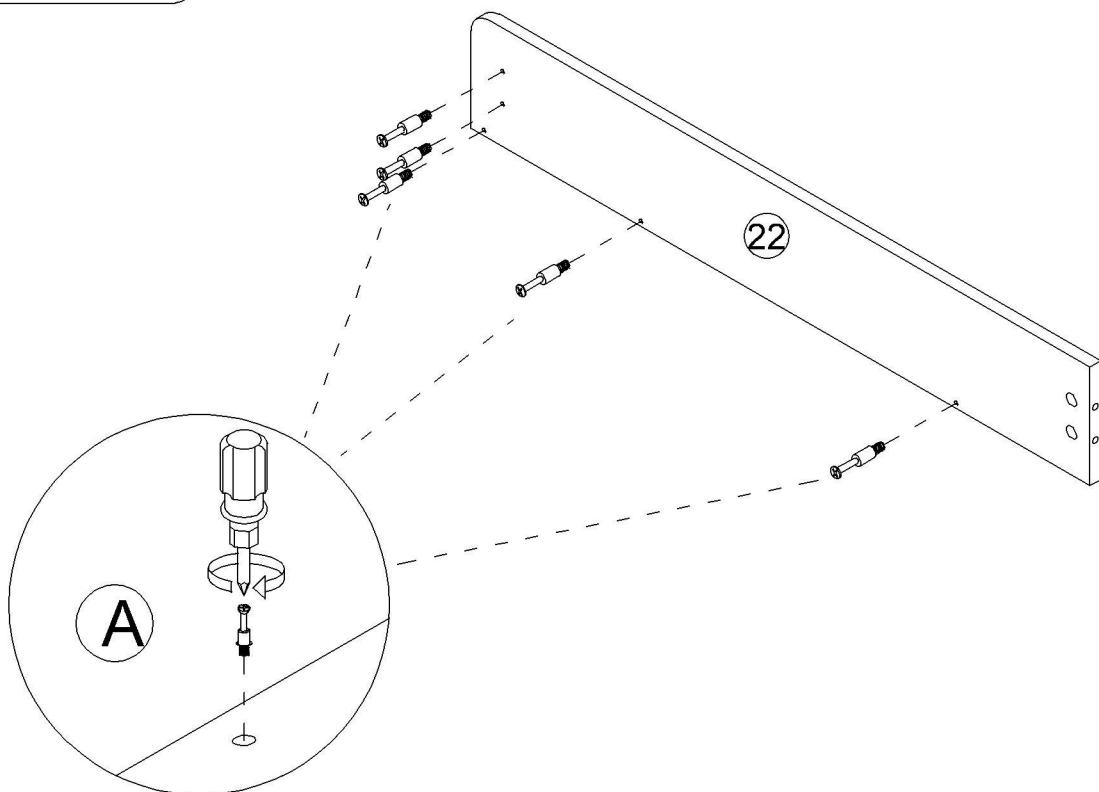


Step 32

A



x 5

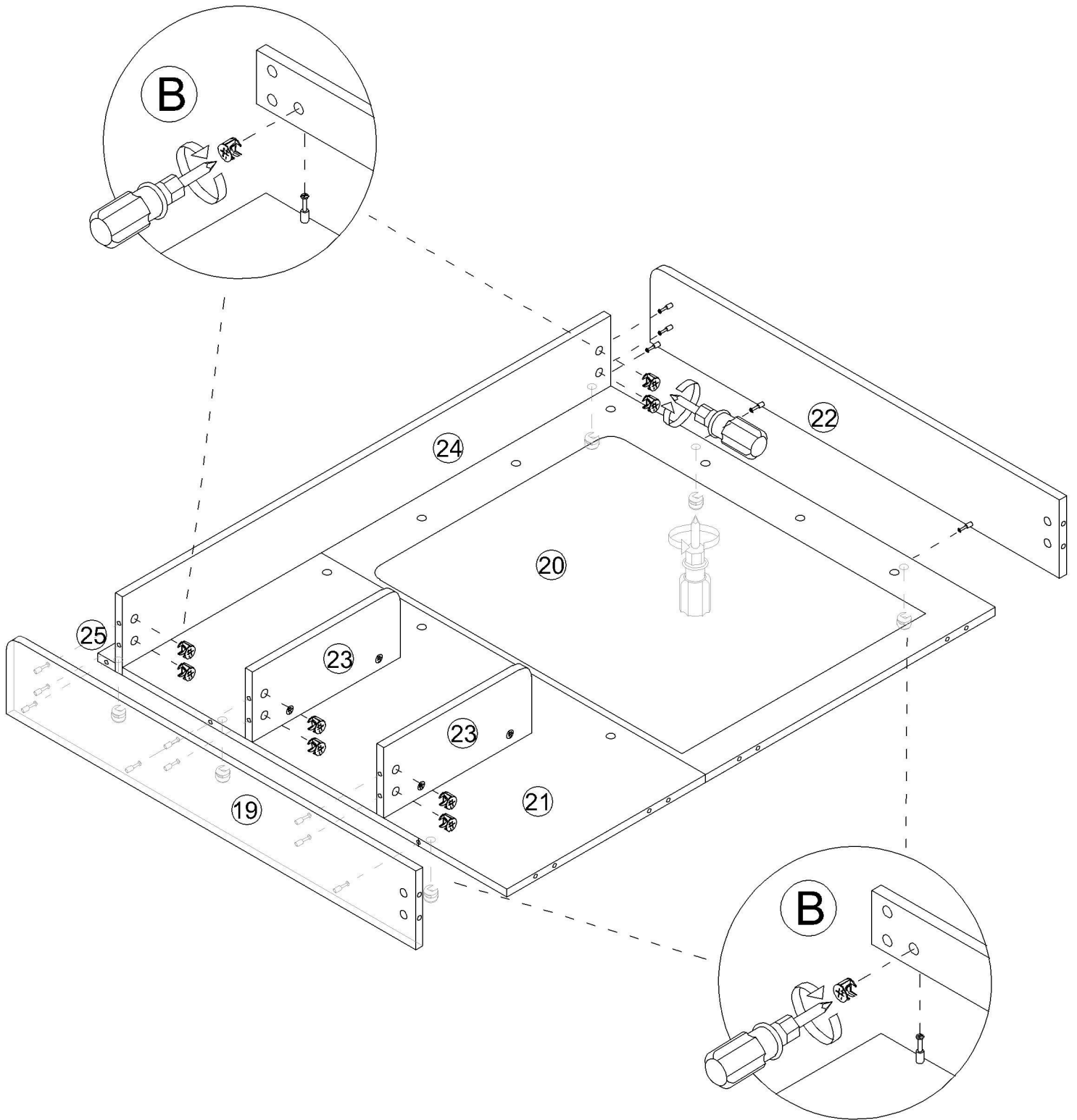


Step 33



B

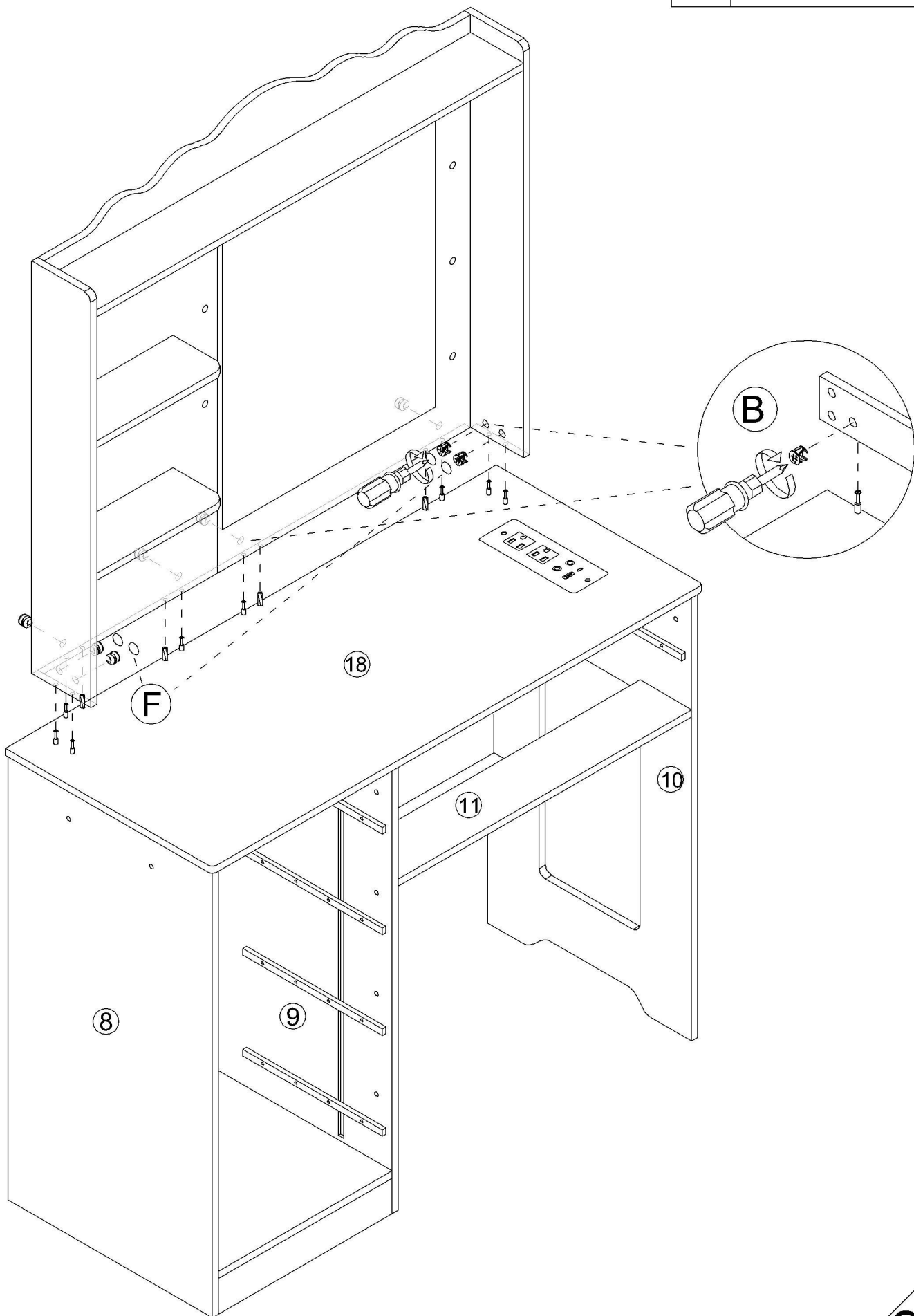


x 14

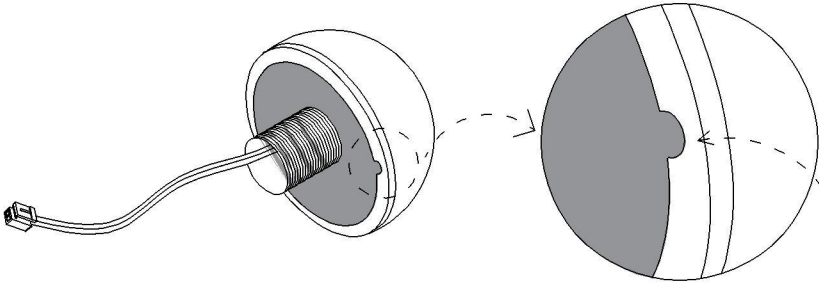


Step 34

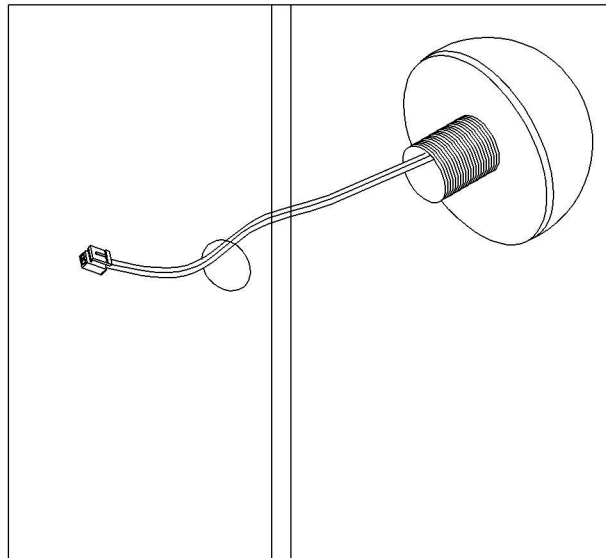
B		x 8
F		x 4



Step 35





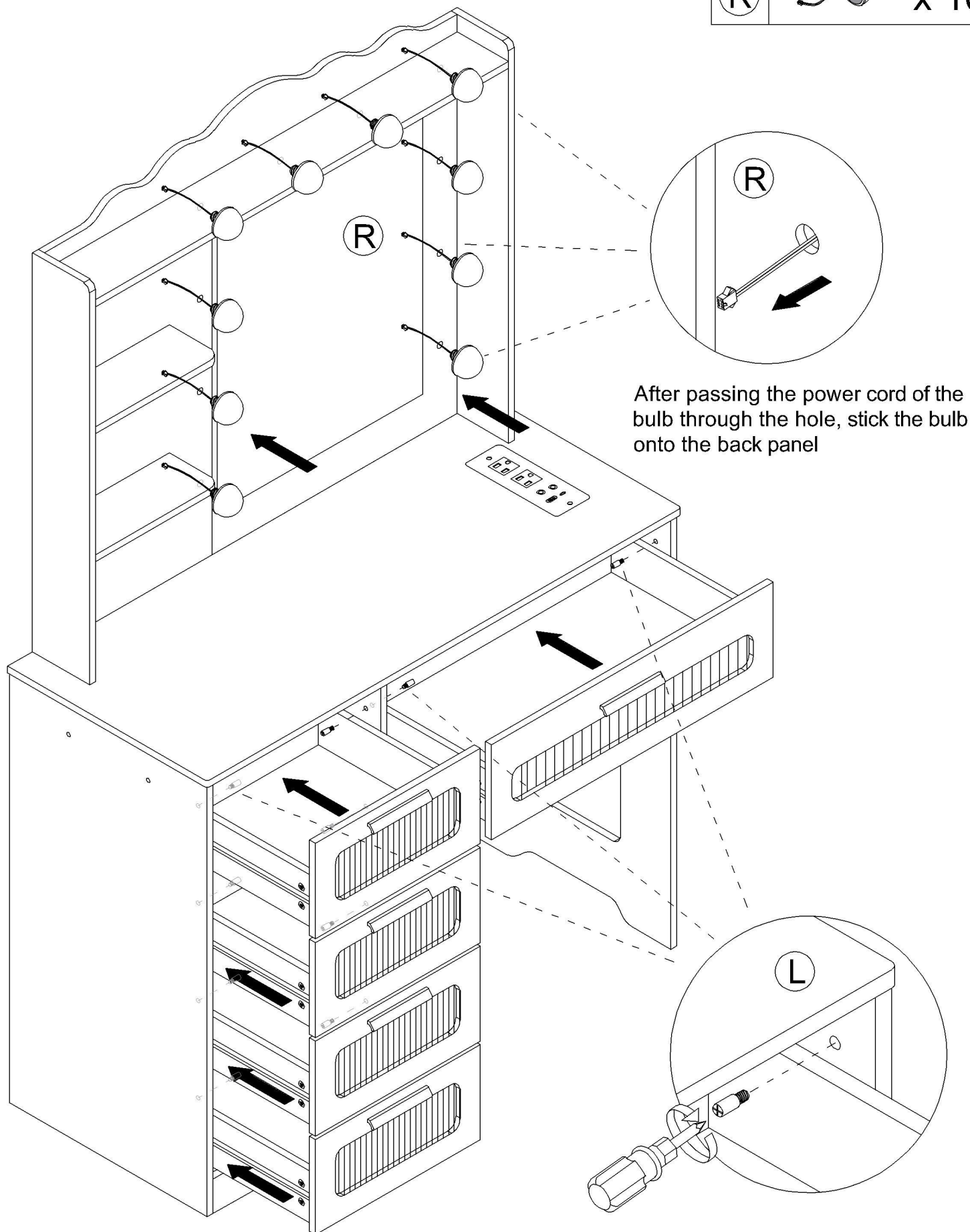
Remove the film before installation



Make sure that you insert cables on bulb through prepared holes on board, suggest to insert once a time.

Step 36

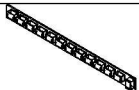
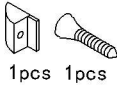


(L)		x 10
(R)		x 10

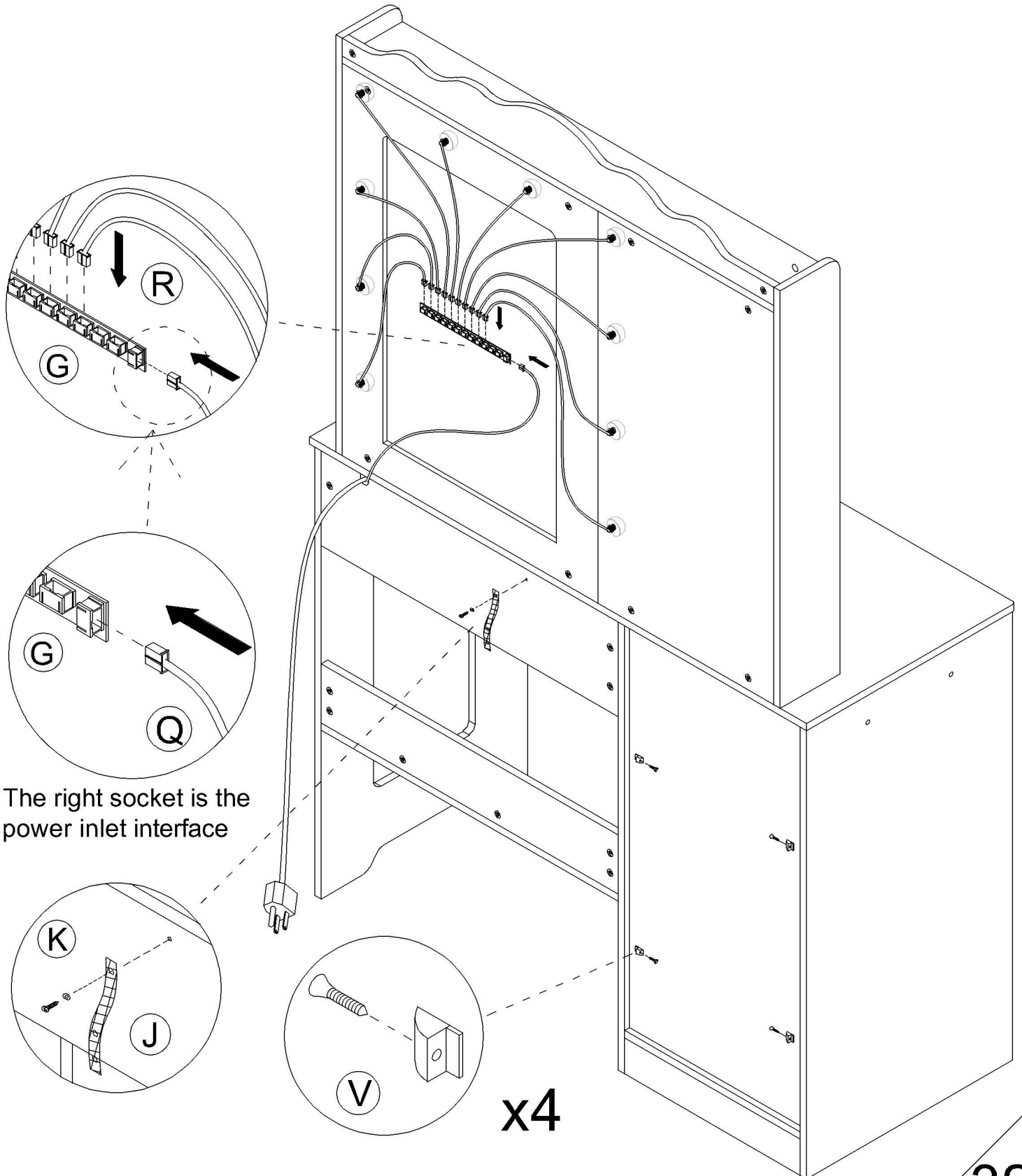


First push the drawer in half before installing the accessories

Step 37

Paste and fix the socket upwards, From the first bulb, connect all bulbs in turn





(G)		x 1
(V)	 1pcs 1pcs	x 4
(J)		x 1
(K)		x 1

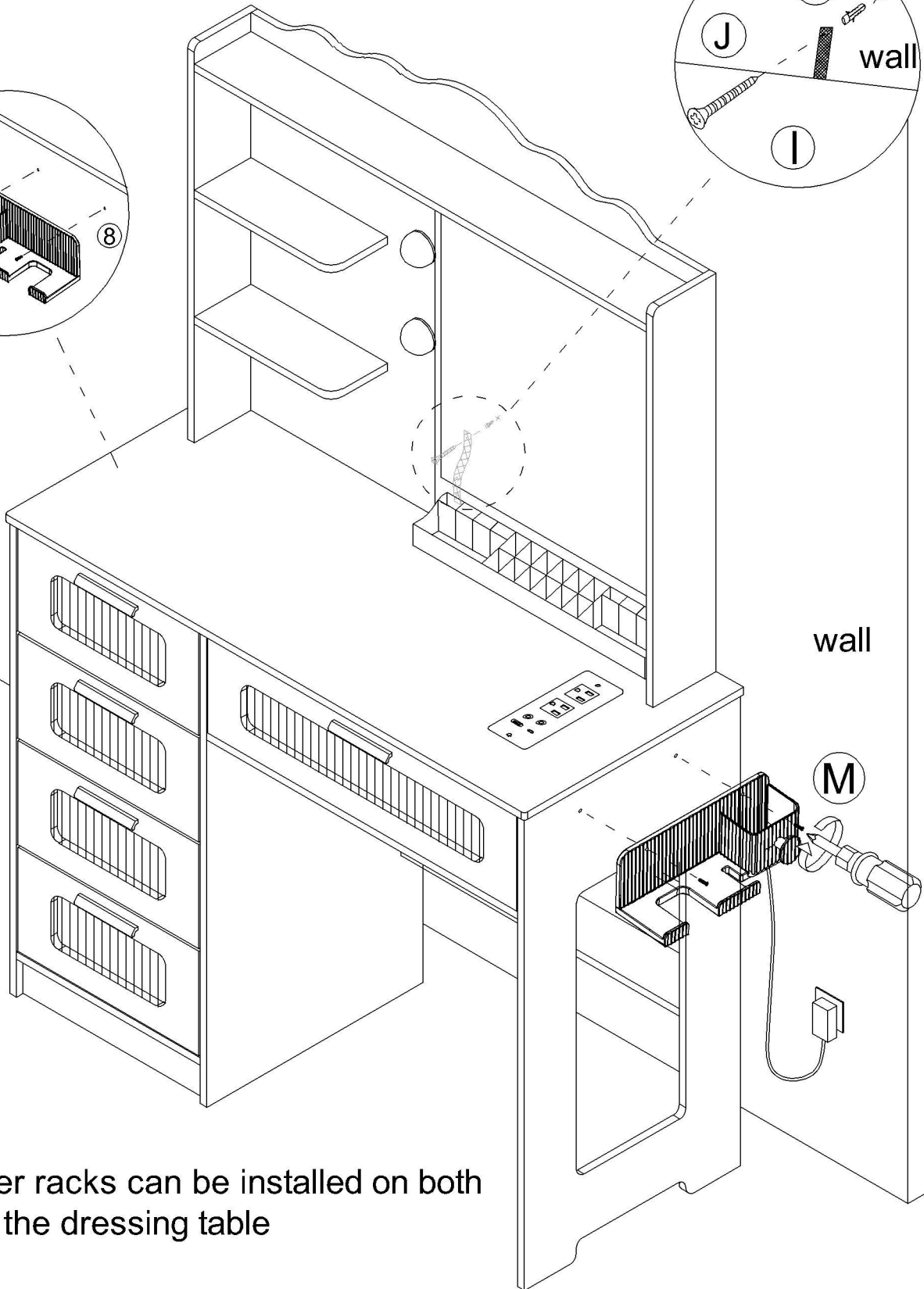
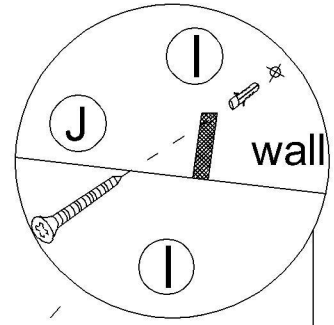
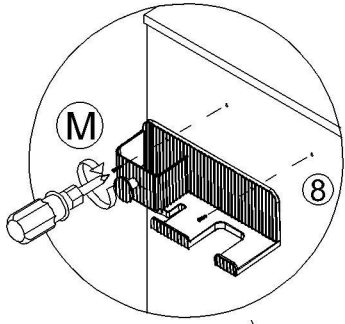


The right socket is the power inlet interface

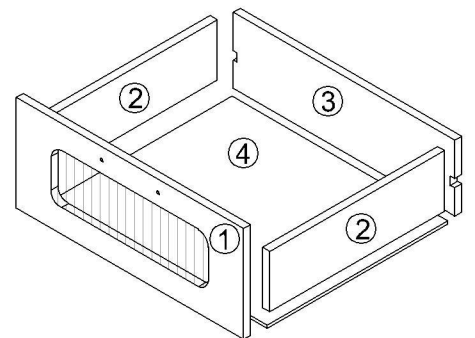
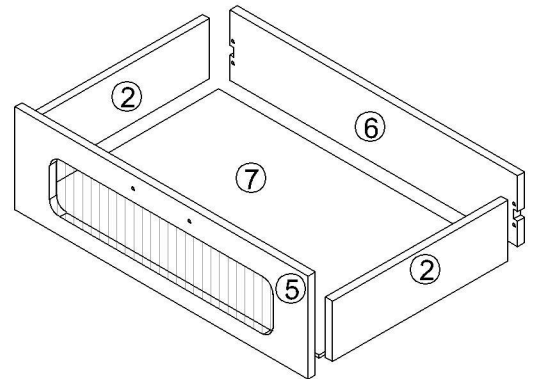
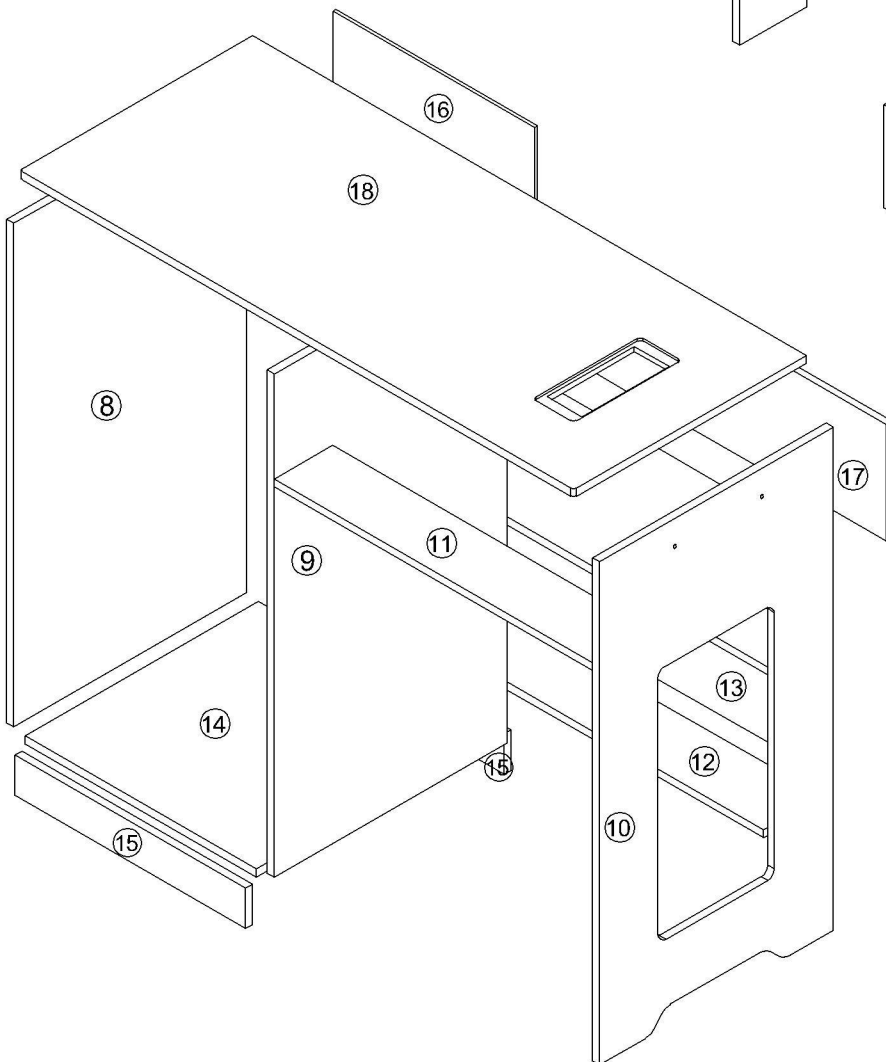
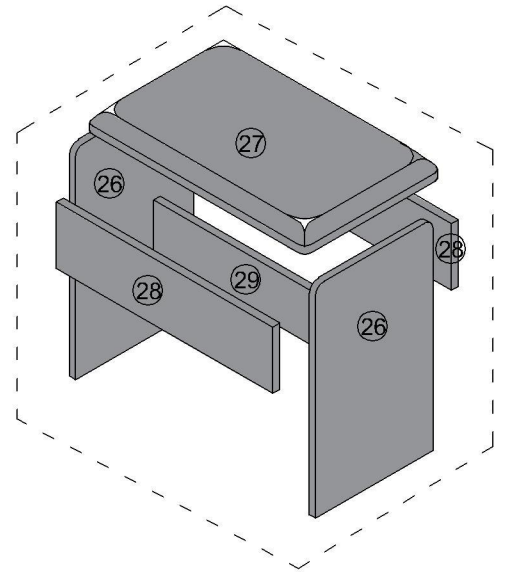
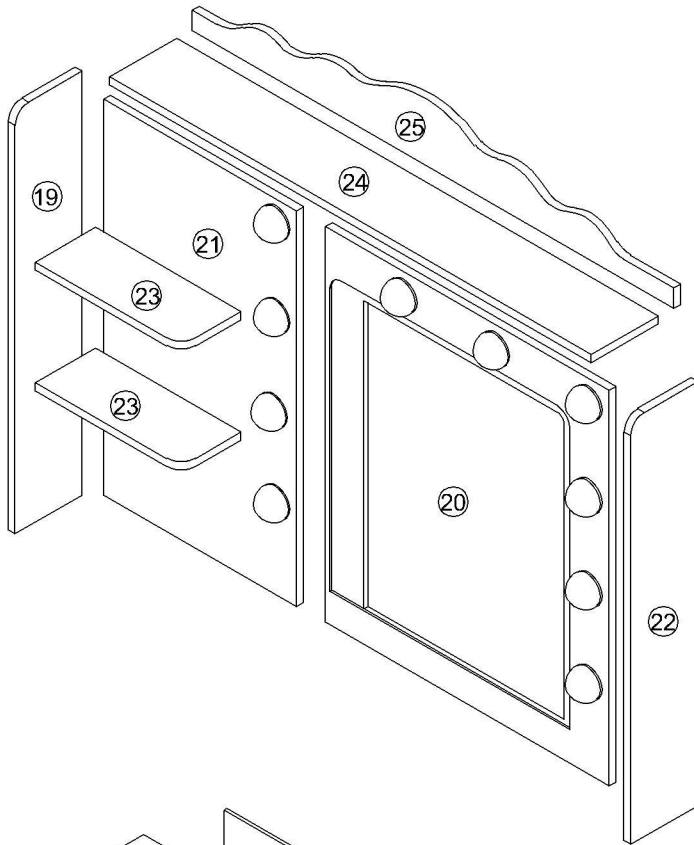
x4

Step 38

(M)	 1 Pcs	 2 Pcs	x 1
(I)			x 1

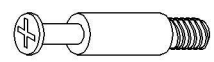


Hair dryer racks can be installed on both sides of the dressing table

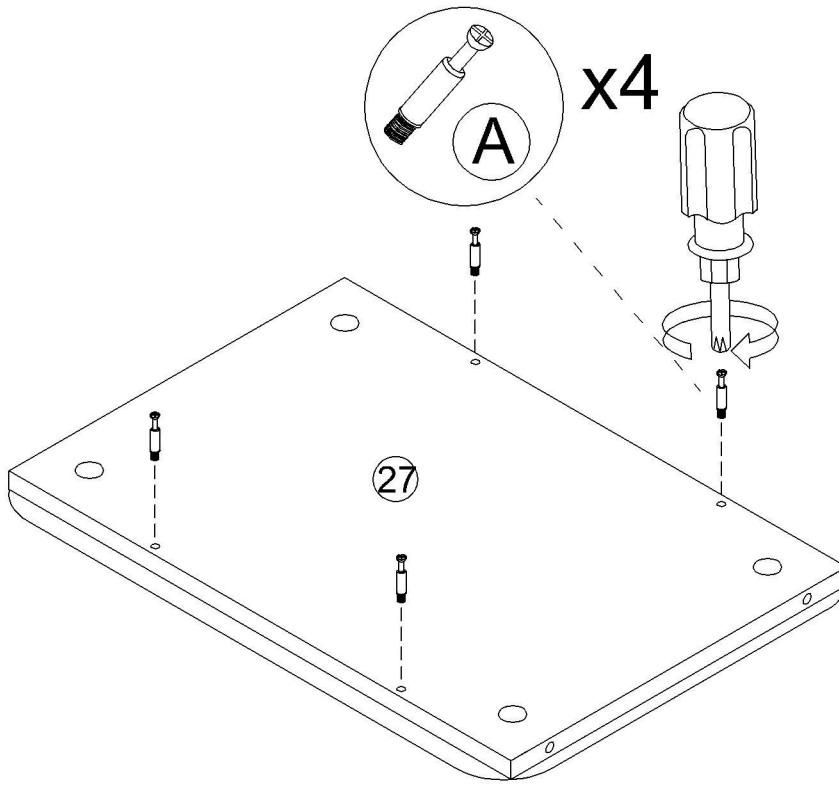


Step 39

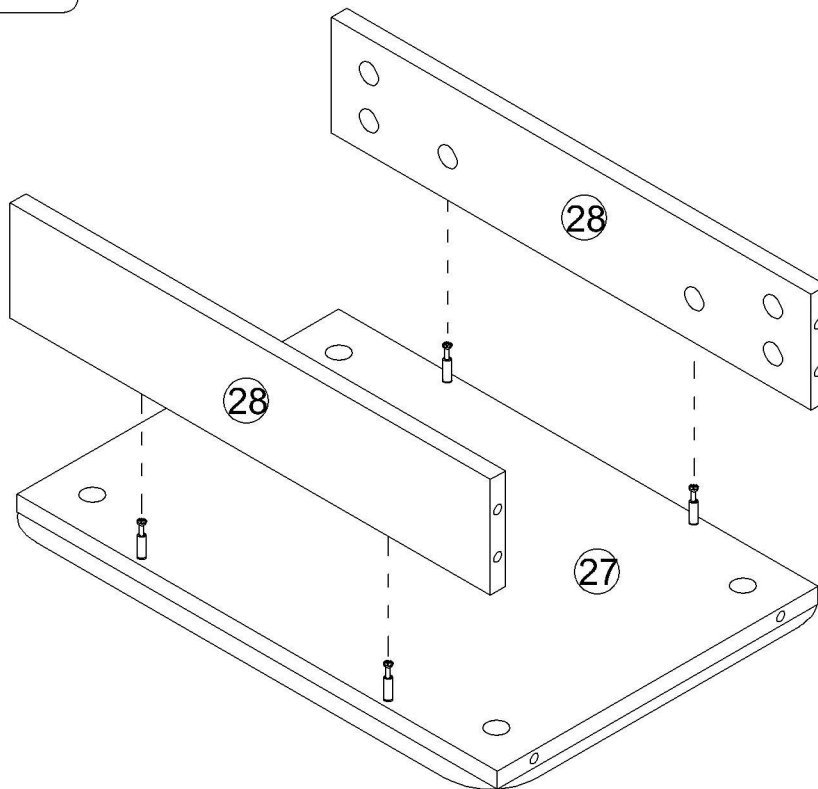
A



x 4



Step 40

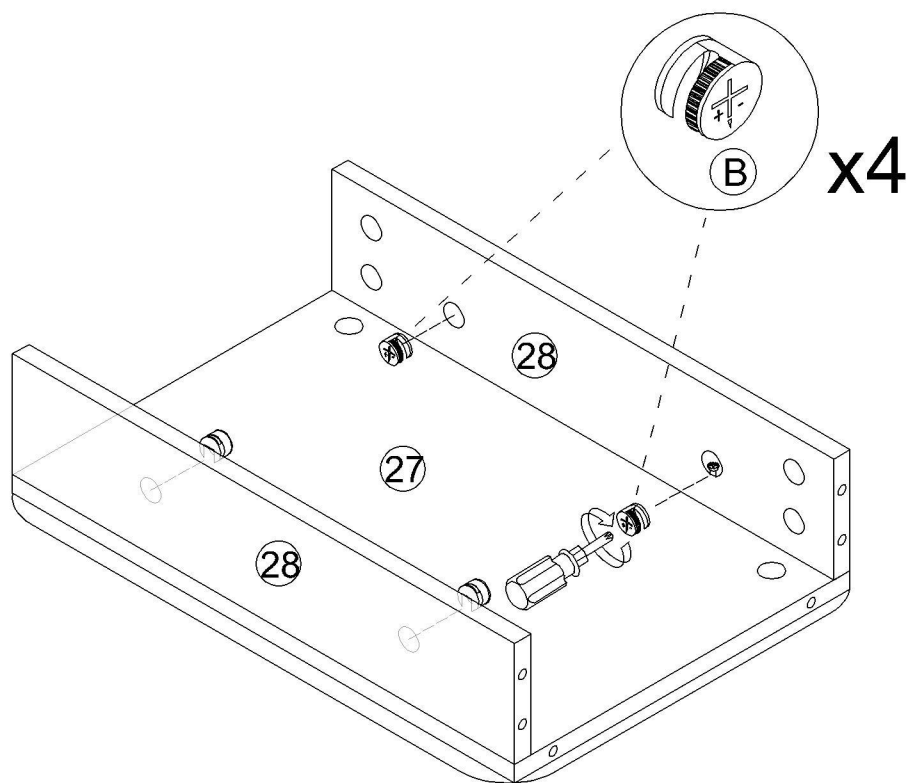


Step 41

B



x 4



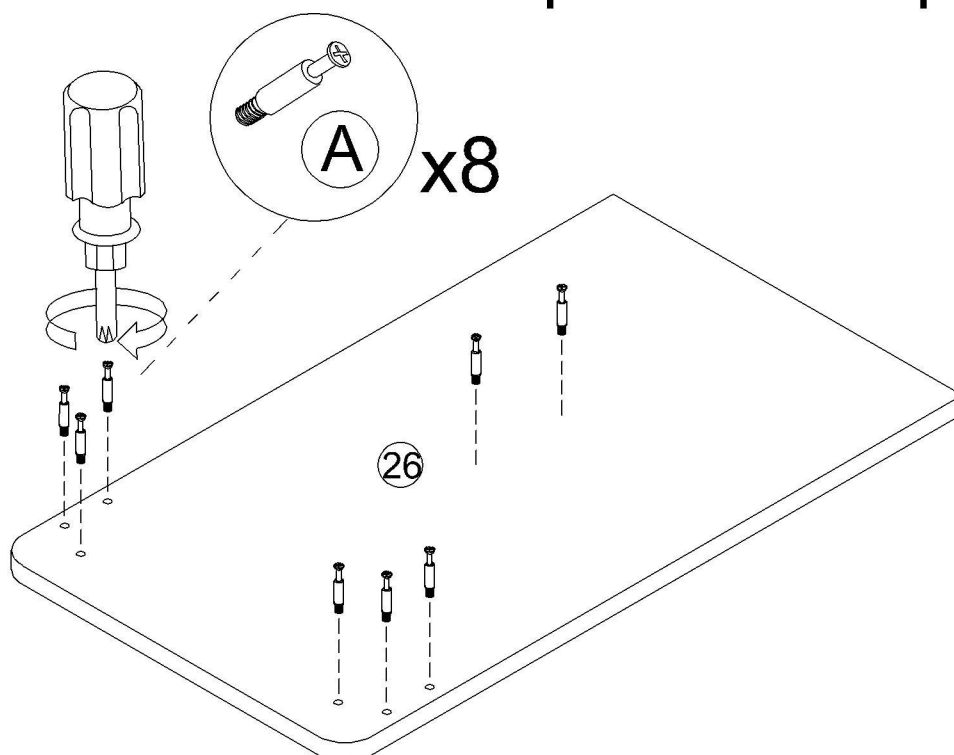
Step 42

A



x 16

Repeat this step once

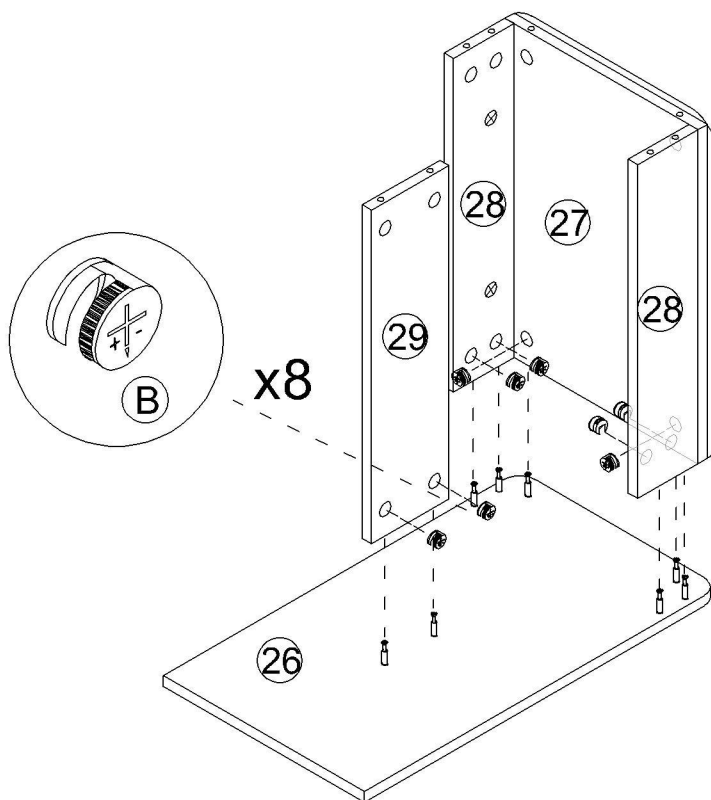


Step 43

B



x 8

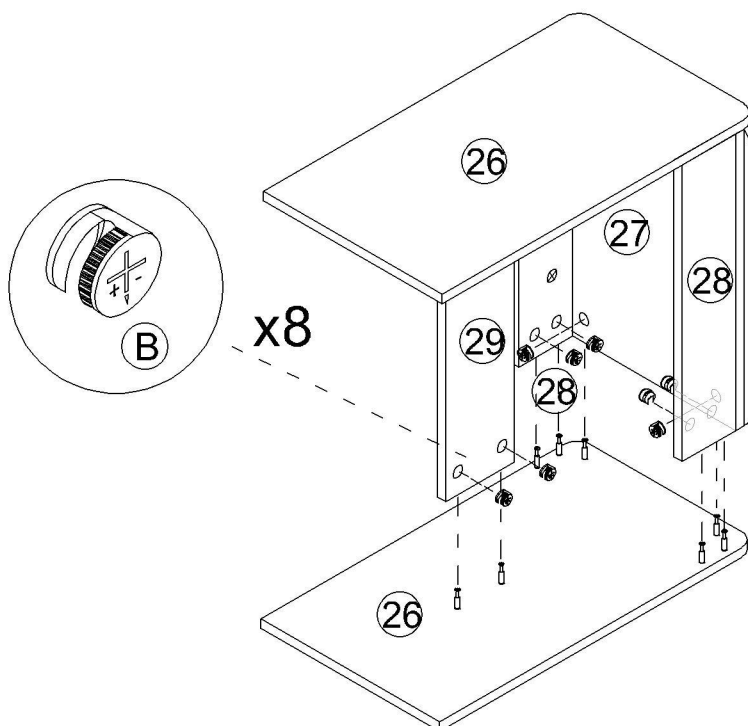


Step 44

B

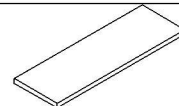


x 8



Step 45

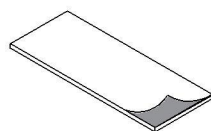
T



x 4



T



x4

Tear off release paper and stick the black foot pad on the board



User's Guide

Thank you for purchasing this product.

To use this product, please plug it into a 12VDC power supply.

Please use if the product works normally after connecting to power.

Introduction

The box is an intelligent controller. It has 1 USB output port 1 Type-c port and can distribute the current output up to 5VDC-2A. With 2 touch buttons, it can turn. ON/OFF the light, change light colors, and adjust the light luminance.

Operation



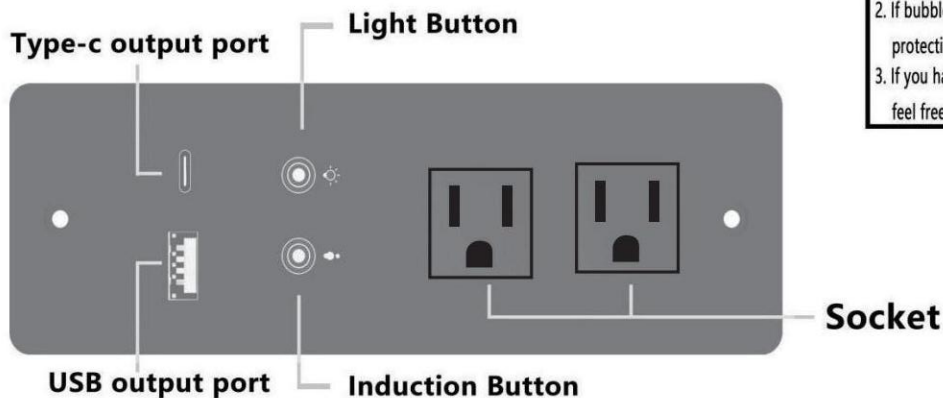
This touch button is used to turn on/off, change colors, and adjust brightness.

- A. Short touch -> lighting on -> short touch -> change light color -> short touch -> change light color -> short touch -> lighting off.
- B. Long touch -> adjust the luminance.



This touch button is used to turn on/off the induction function.

- A. Short touch to turn on the induction function. It can auto-turn on the light when people are close to the controller in 1 meters. It can auto power off the light when the body is far away from the controller after 30 seconds.
- B. Long touch to turn off the induction function.
- C. Note: When you touch the light button to change the light modes, the induction function will automatically turn off. It is best to turn on this function after selecting the light color and adjusting the brightness you want.



ATTENTION PLEASE

1. If there is no touch response suddenly, Re-plug the power to reset the touch static electricity.
2. If bubbles appear on the panel, remove the protective film.
3. If you have any questions when installing, please feel free to contact us. Thank you.