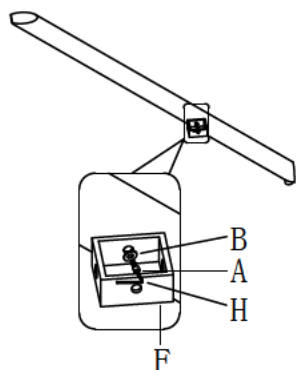
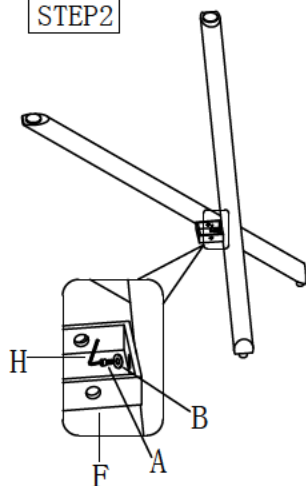


# ASSEMBLY INSTRUCTION

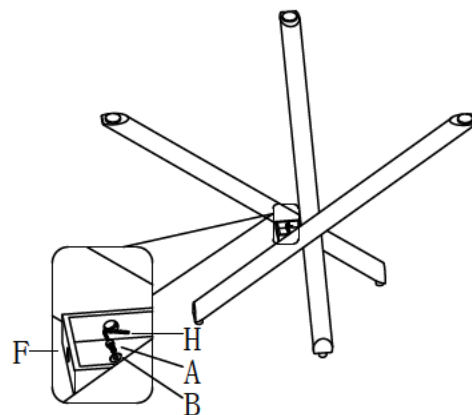
STEP1



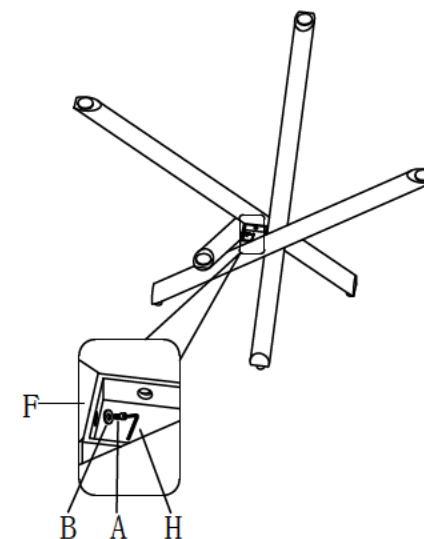
STEP2



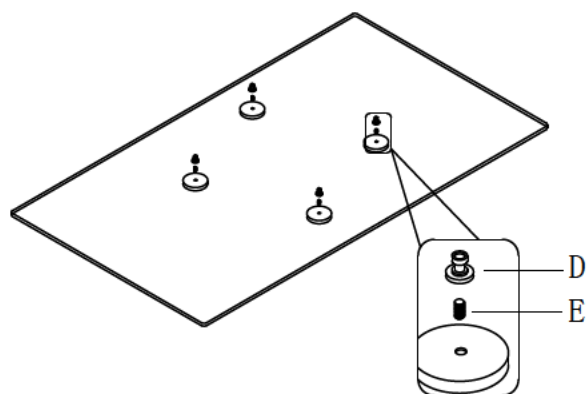
STEP3



STEP4



STEP5



STEP6

