

1. Thank you for choosing *our products*.

2. Return Policy








DO NOT RETURN TO THE STORE! Skip the process of returning your product and contact us directly for a replacement

If you find that parts of your order are missing or damaged, we will gladly ship any needed replacement parts free of charge.

If your product's quality does not meet your expectations or you have found any sort of defect, please contact our customer service department and let us know the details of your order and any issues encountered, we will try our best to provide you with a solution. Feel free to also directly contact our manufacturer concerning needed replacement parts and they will be happy to help provide you with a solution or answer any questions you may have.

Recommendations Before Beginning Assembly











-  • Read instructions, cover to cover
-  • Have 2-4 adults on hand for assembly depending on product size
-  • Do not assemble directly on flooring or carpet
-  • Assemble on a clean non-marring surface (example: packing foam)
-  • Save all packaging until finished

3. Assembly Notice:

- If you encounter any problems during assembly and find that you cannot continue, rest assured we will help you solve the situation as soon as possible. Simply keep all of the parts of the product stored in a safe place and contact us immediately so we may assist you further.
- Once you have opened your package, remove all inner hardware packages and take the parts out. One by one, Place the parts out neatly in front of you, then refer to the instructions to ensure no parts are missing. If any pieces are found missing, please carefully look in the box first, as the hardware packaging might have torn making the hardware spill in the box.

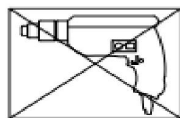
- Some key parts of your product may be stored and hidden inside of other parts. Please open any zippered or hook & loop storage compartments to remove all parts. (example: cushions and legs being stored in the underside of a sofa)
- **IMPORTANT:** When setting up your product, **DO NOT INSTALL THE SCREWS ALL THE WAY IN THE BEGINNING.** Place each screw into their proper hole and use your hand to twist the screw halfway. Twist all the screws in halfway to ensure the holes will match up properly and the product is level on the ground. When everything seems fitted, then tighten the screws.
- When you have completed assembly, we suggest you have more than one person to assist you with lifting and placing the product.

Care & Maintenance






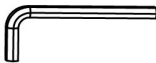
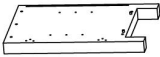



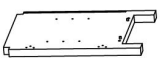


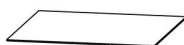


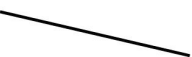
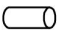
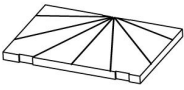


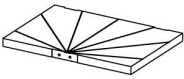




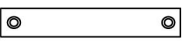

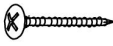


- ⊘  ● Do not put hot items directly on furniture surface
- ⊘  ● Do not clean furniture with harsh cleansers or polish
- ⊘  ● Do not place furniture under direct sunlight
- ⊘  ● Do not place furniture near heating or cooling vents
- ⊘  ● Do not write on furniture without a padded barrier to protect the surface
- ⊘  ● Do not place furniture outside. For indoor use only
- ⊘  ● Not for commercial use. For residential use only
- ⊘  ● Stains may be removed with mild soap solution and damp cloth
- ⊘  ● Children should not climb or jump on the furniture
- ✓  ● Dust and pick-up spills using a clean, non-colored, lint-free cloth

Caution

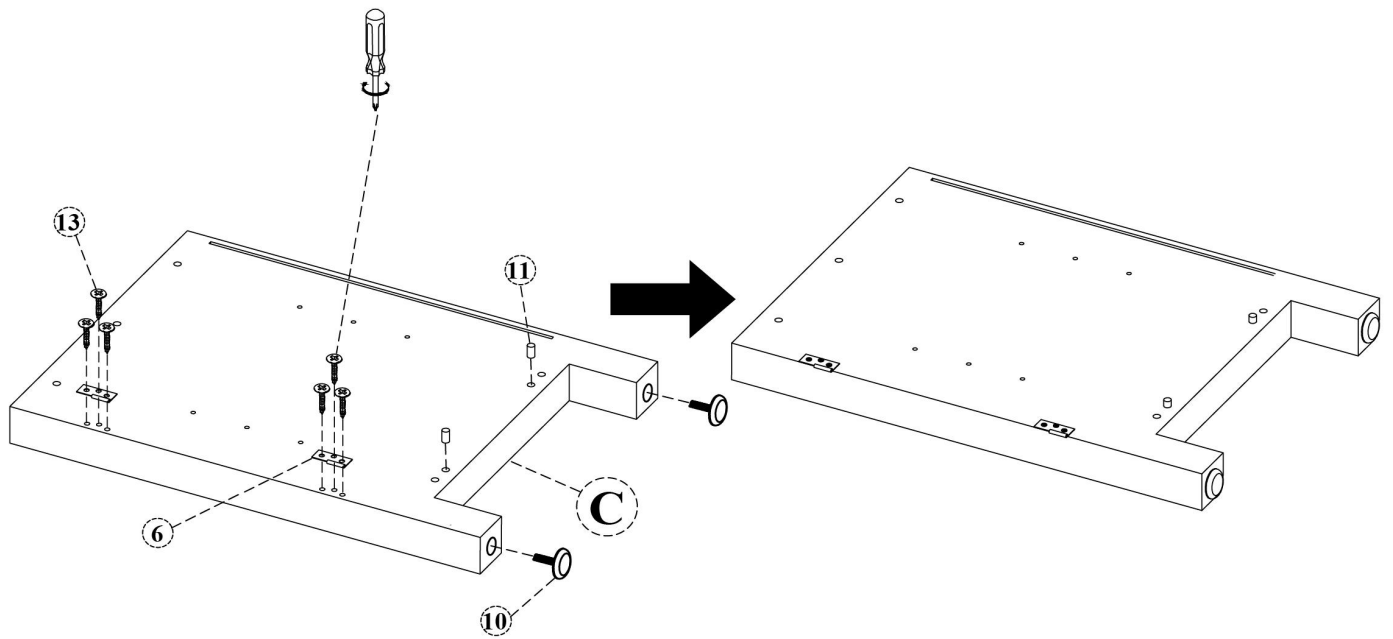
- This product contains small components. Please ensure that they are kept away from small children.
- Do not use power tools to assemble your furniture. Power tools may strip or damage the parts.




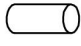


TWO CARTONS /HARDWARE LIST

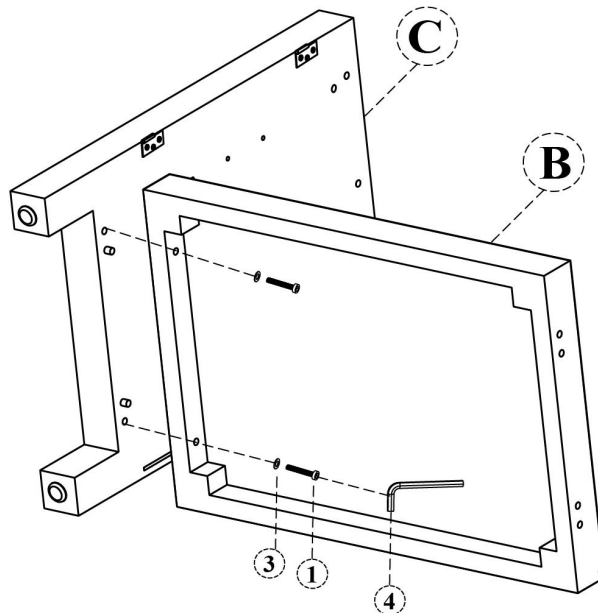
PART LISTS				HARDWARE LIST			
NO	DESCRIPTION	SKETCH	Q'TY	NO	DESCRIPTION	SKETCH	Q'TY
A	TOP FRAME		1 PC	1	BOLT Ø0.6*35mm		8 PCS
				2	BOLT Ø0.6*40mm		8 PCS
B	BOTTOM FRAME		2 PCS	3	FLAT WASHER Ø0.6*1mm		16 PCS
				4	ALLEN KEY Ø0.4*60		1 PC
C	LEFT FRAME		1 PC	5	HANDLE		4 PCS
D	RIGHT FRAME		1 PC	6	LEFT HINGER		4 PCS
E	CENTERE PANEL		1 PC	7	LEFT HINGER		4 PCS
				8	RIGHT HINGER		4 PCS
F	BACK PANEL		4 PCS	9	RIGHT HINGER		4 PCS
				10	BOTTON		6 PCS
G	STRIP		2 PCS	11	STOPPER		8 PCS
H	DOORS LEFT		2 PCS	12	MAGNETIC COLLISION		2 PCS
				13	SCREW Ø0.35*14mm		48 PCS
I	DOORS RIGHT		2 PCS	14	SHELF PIN		8 PCS
				15	PLOSTIC BTTON		8 PCS
J	SHELF		2 PCS	16	NUT		2 PCS
				17	PLASTC STRAP		2 PCS
				18	SCREW Ø0.5*14mm		2 PCS
				19	SCREW Ø0.4*35mm		2 PCS
				20	FLAT WASHER Ø0.5*1mm		4 PCS
				21	SCREW Ø0.3*14mm		28 PCS




STEP 1



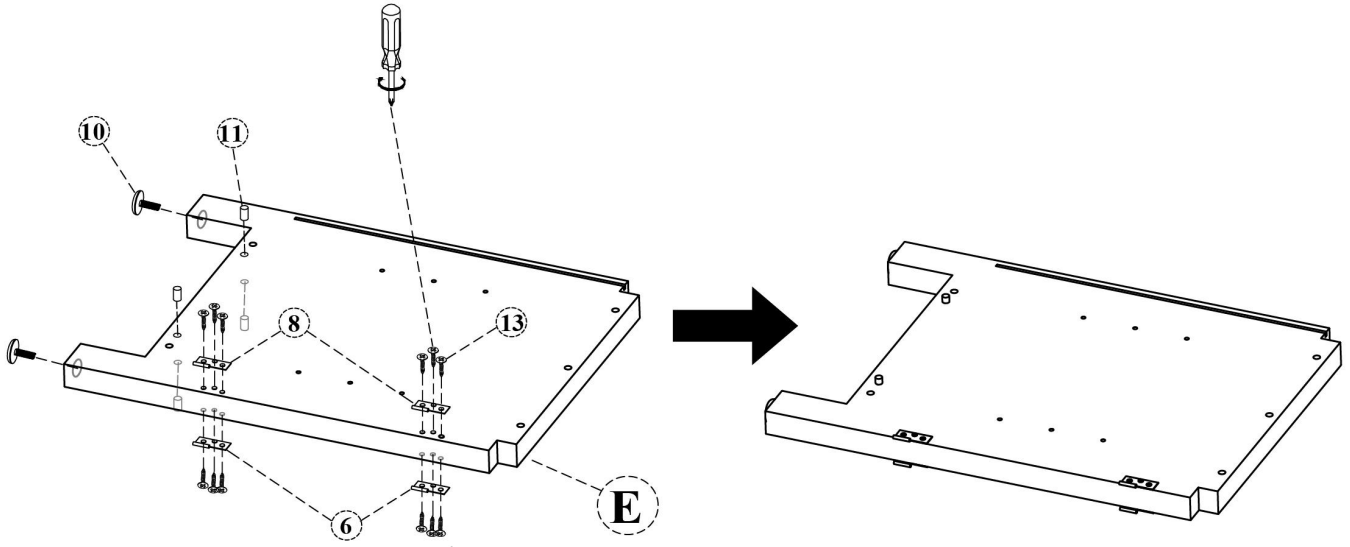
6	Q'ty : 2pcs	13	Q'ty : 6pcs	10	Q'ty : 2pcs	11	Q'ty : 2pcs
			Ø0.35*14mm				

STEP 2



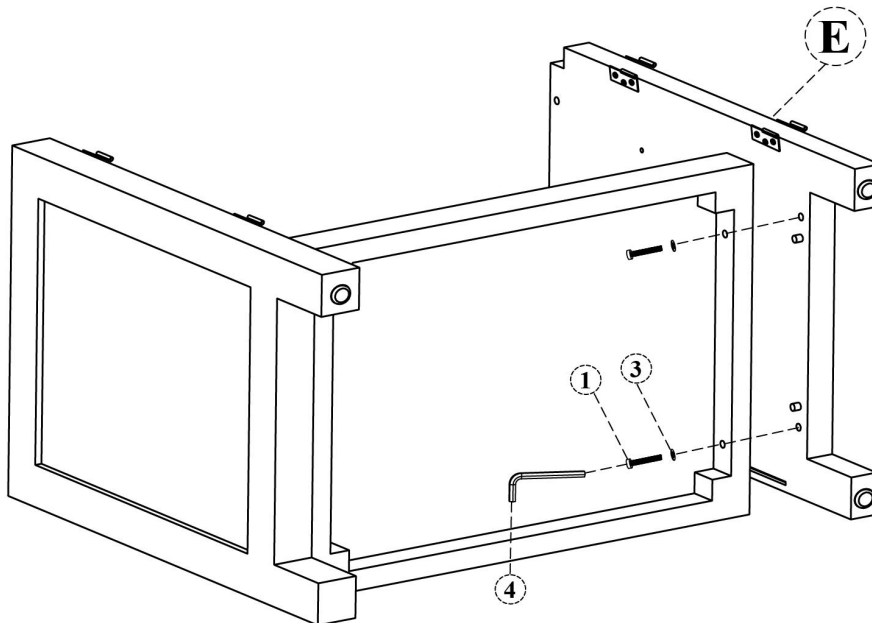
1	Q'ty : 2pcs	3	Q'ty : 2pcs	4	Q'ty : 1pc
			Ø0.6*1mm		

STEP 3



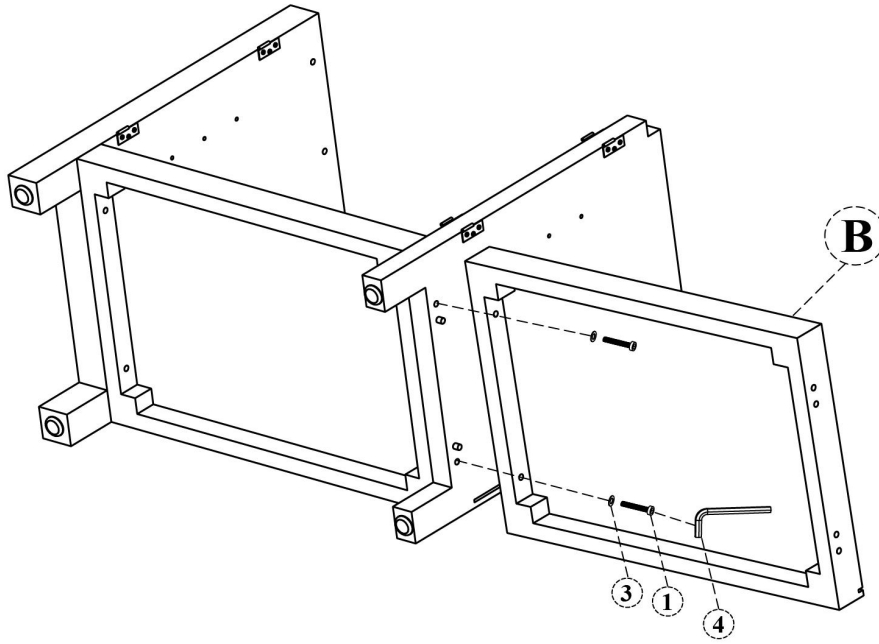
6	Q'ty : 2pcs	8	Q'ty : 2pcs	13	Q'ty : 12pcs	10	Q'ty : 2pcs	11	Q'ty : 4pcs
					Ø0.35*14mm				




STEP 4



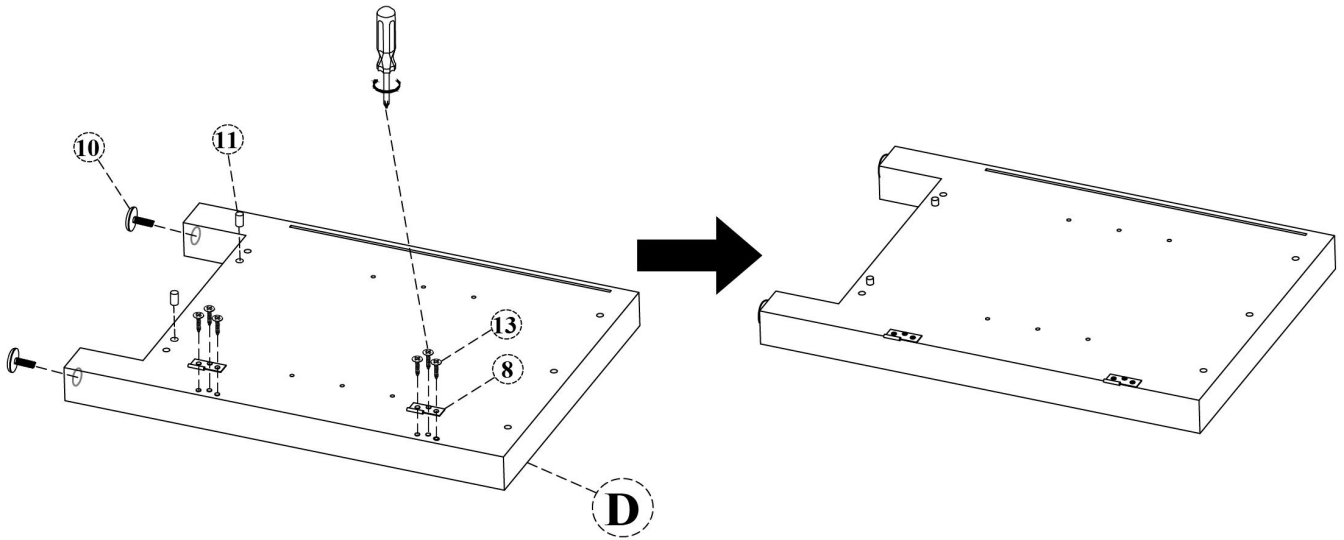
1	Q'ty : 2pcs	3	Q'ty : 2pcs	4	Q'ty : 1pc
	Ø0.6*35mm		Ø0.6*1mm		





STEP 5



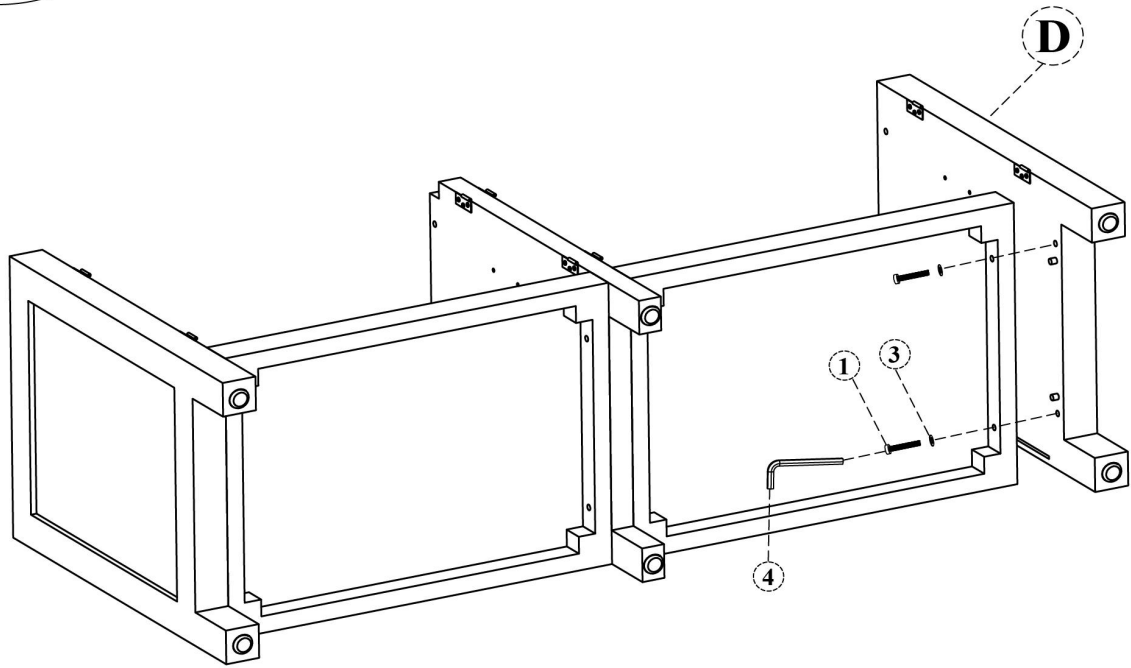
1 Q'ty : 2pcs	3 Q'ty : 2pcs	4 Q'ty : 1pc
 Ø0.6*35mm	 Ø0.6*1mm	




STEP 6



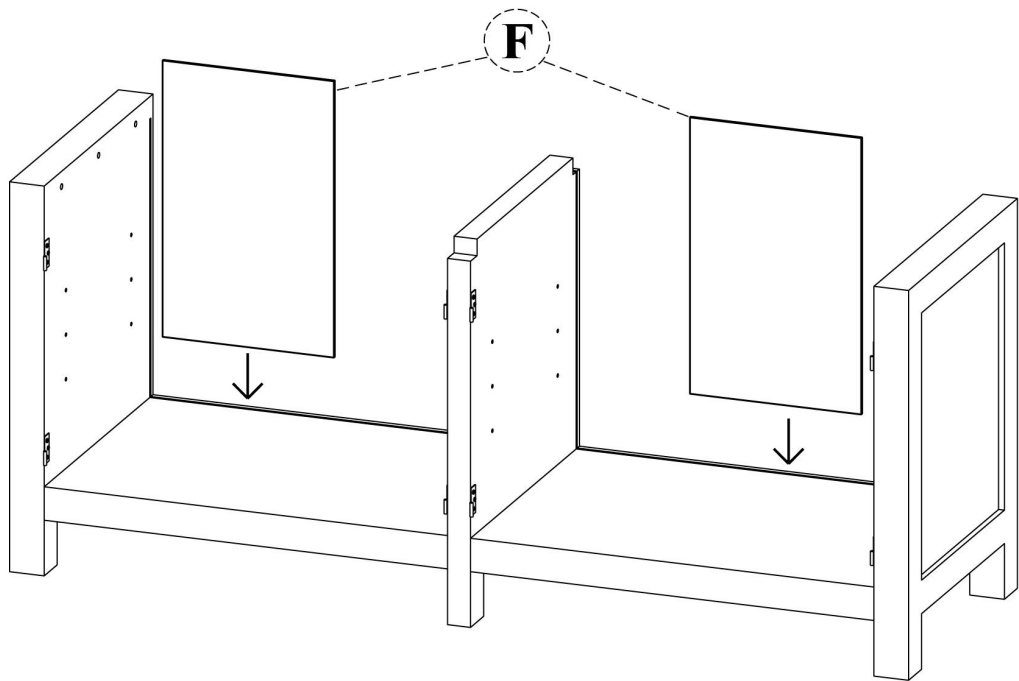
8 Q'ty : 2pcs	13 Q'ty : 6pcs	10 Q'ty : 2pcs	11 Q'ty : 2pcs
 Ø0.35*14mm			

STEP 7

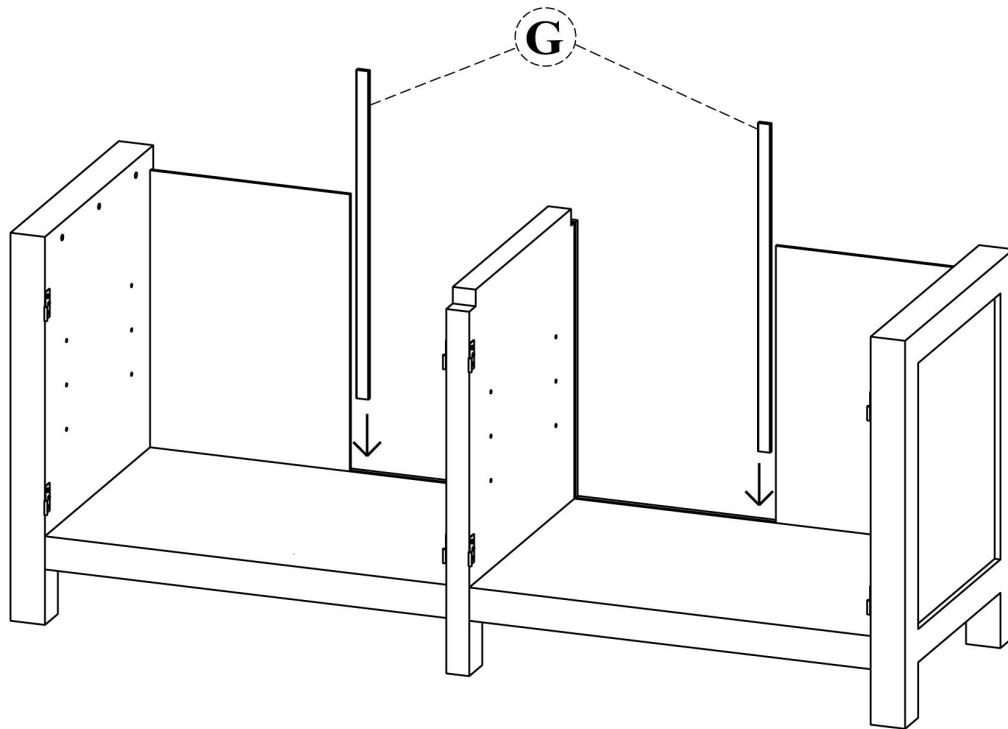


1	Q'ty : 2pcs	3	Q'ty : 2pcs	4	Q'ty : 1pc
					
Ø0.6*35mm		Ø0.6*1mm			

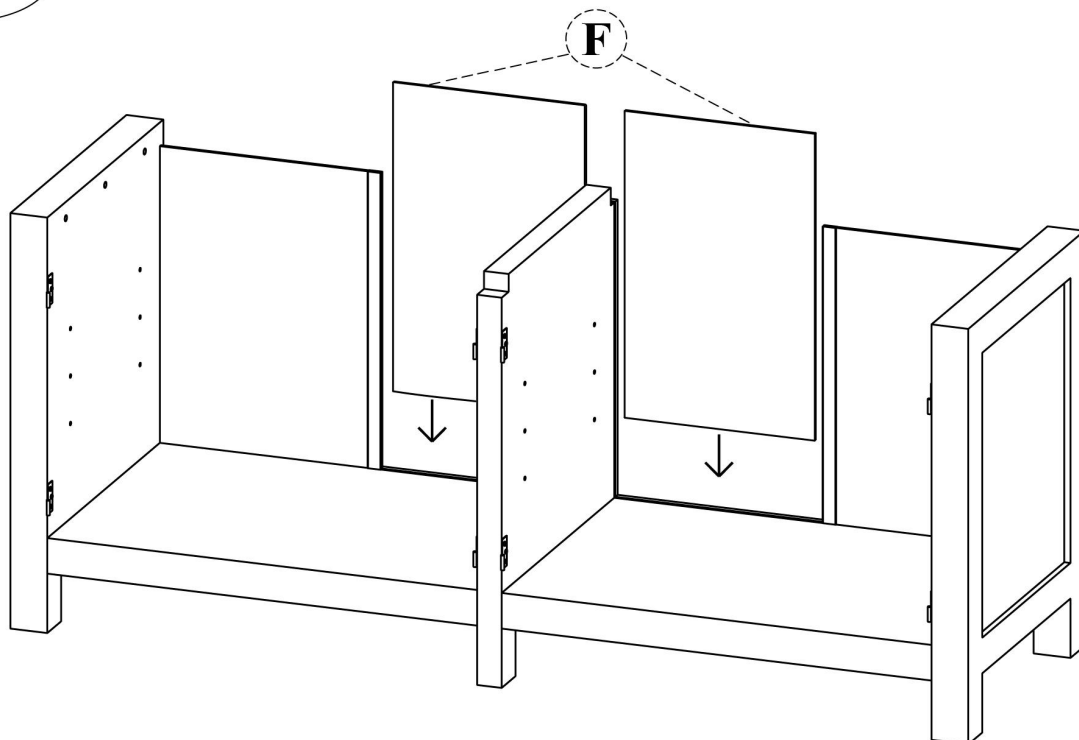
STEP 8



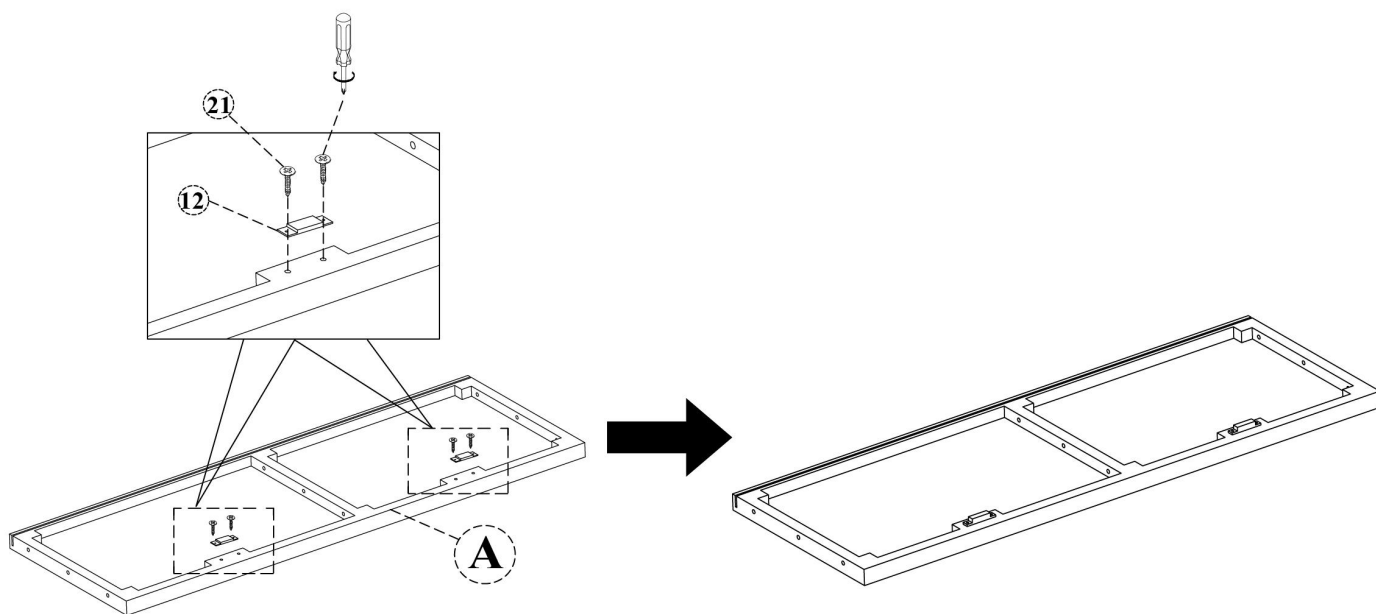
STEP 9





STEP 10

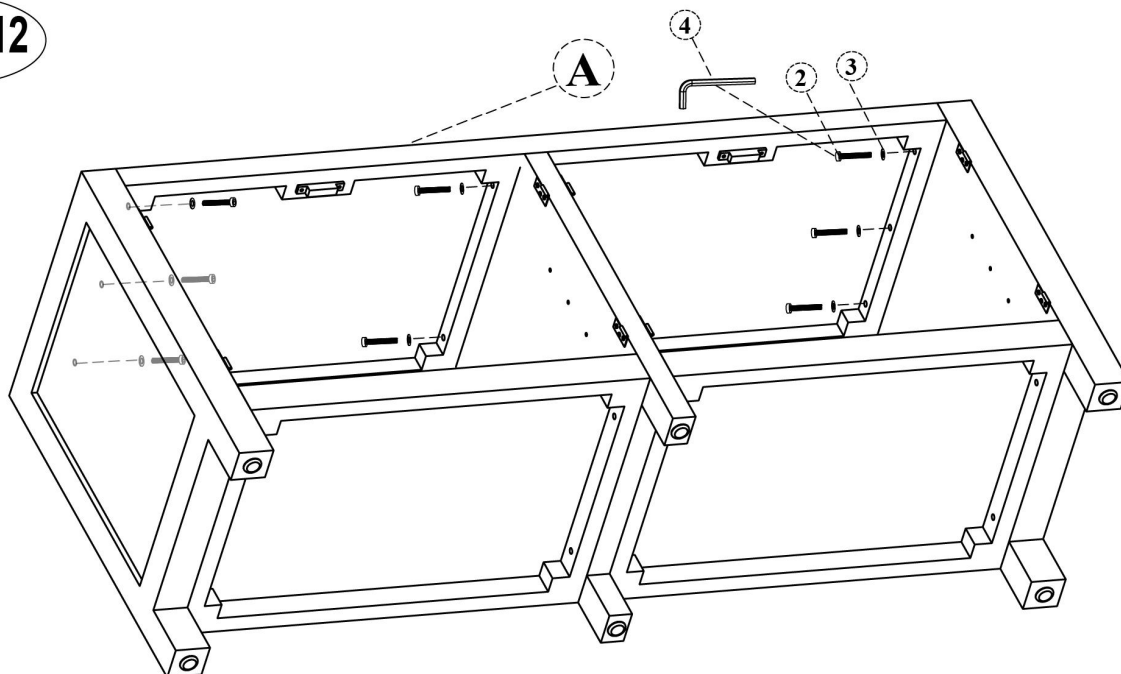


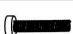


STEP 11



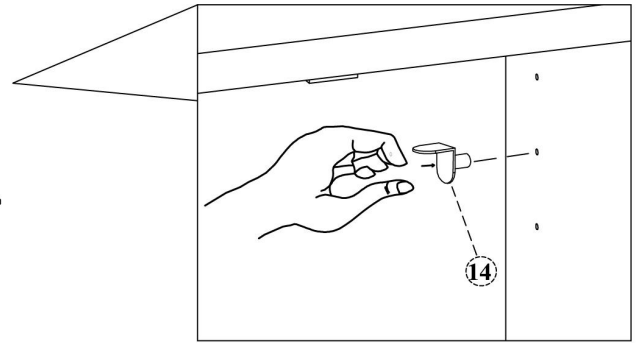
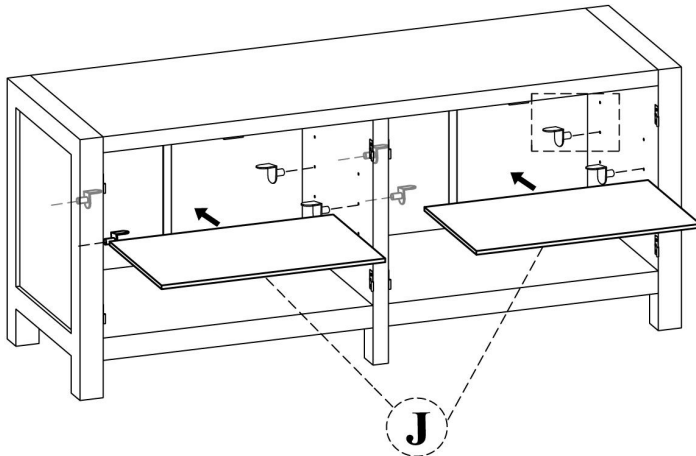
12	Q'ty : 2pcs	21	Q'ty : 4pcs
			
		Ø0.3*14mm	

STEP 12



2	Q'ty : 8pcs	3	Q'ty : 8pcs	4	Q'ty : 1pc
					
Ø0.6*40mm		Ø0.6*1mm			

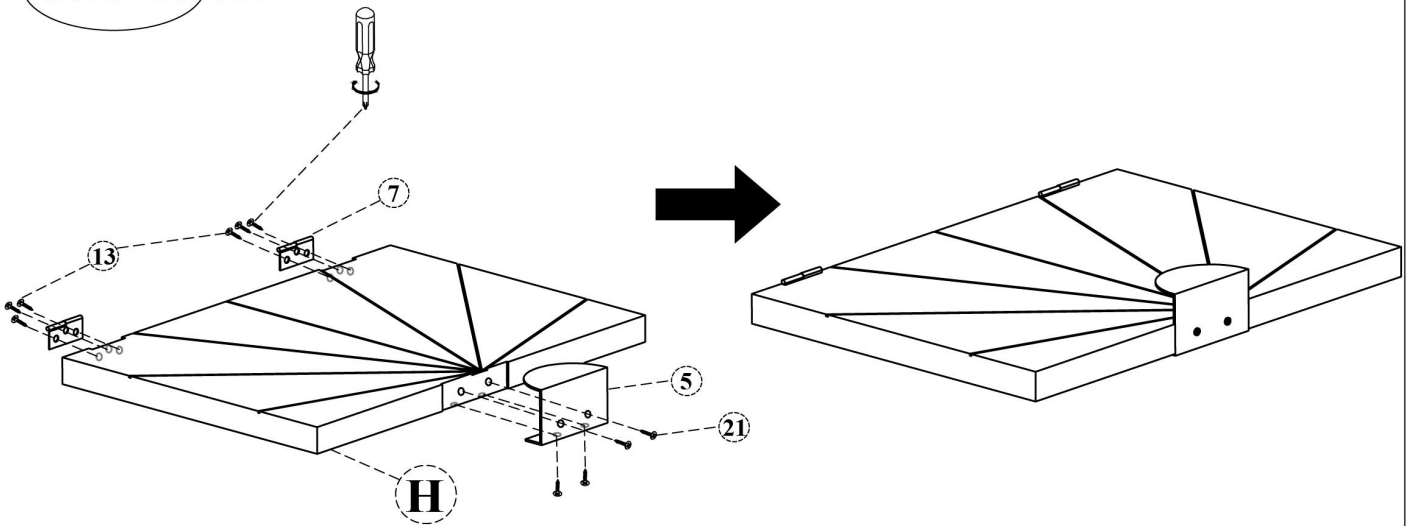
STEP 13



14 Q'ty : 8pcs



STEP 14 X2



5 Q'ty : 2pcs	21 Q'ty : 8pcs	7 Q'ty : 4pcs	13 Q'ty : 12pcs
---------------	----------------	---------------	-----------------

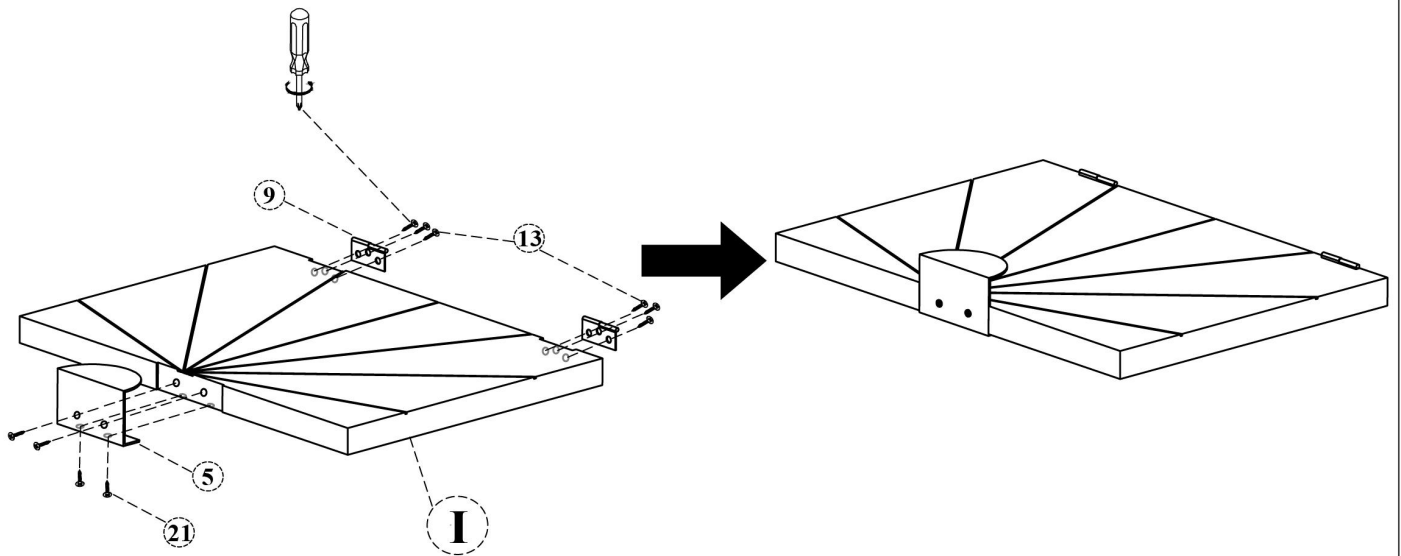






Ø0.3*14mm



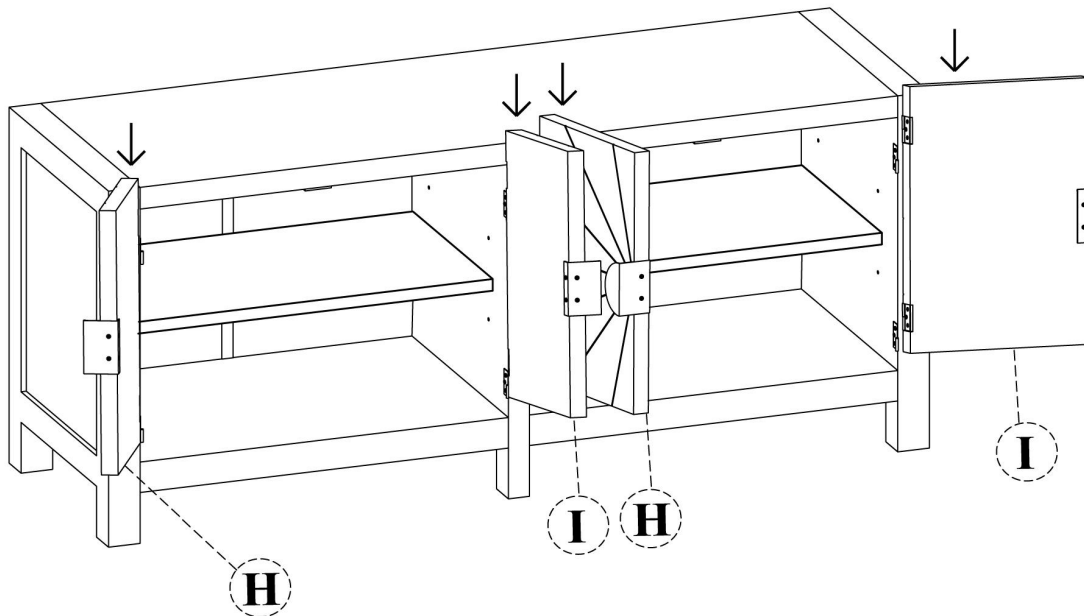
Ø0.35*14mm

STEP 15 X2

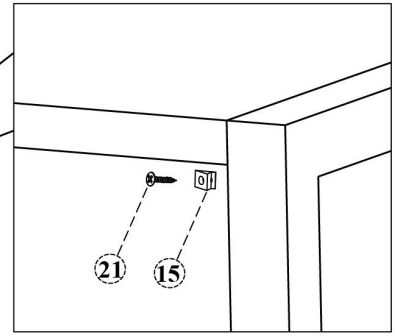
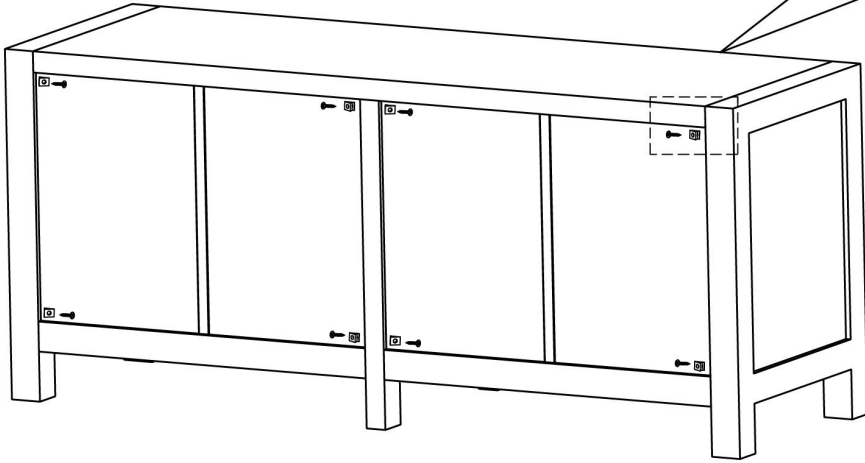




5	Q'ty : 2pcs	21	Q'ty : 8pcs	9	Q'ty : 4pcs	13	Q'ty : 12pcs
			$\text{Ø}0.3 \times 14\text{mm}$				$\text{Ø}0.35 \times 14\text{mm}$

STEP 16

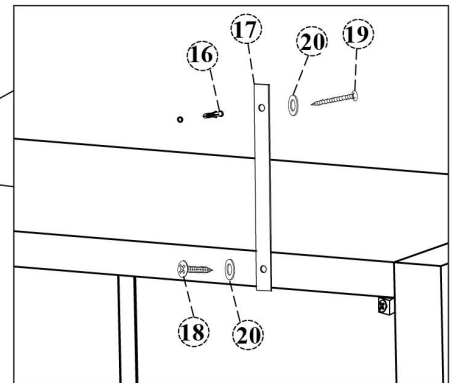
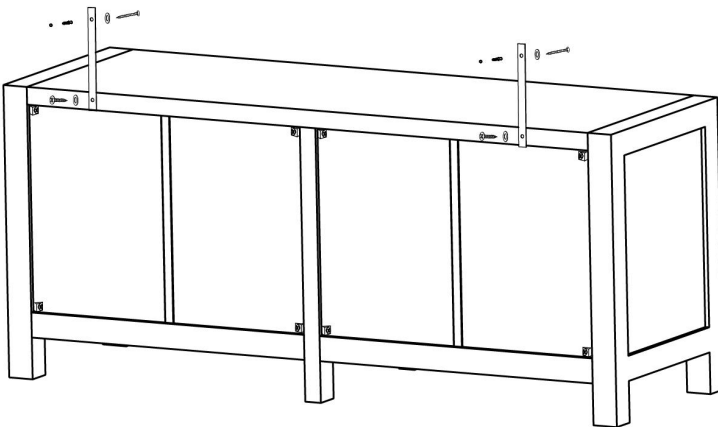





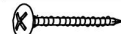

STEP 17



21	Q'ty : 8pcs	15	Q'ty : 8pcs
			
Ø0.3*14mm			

STEP 18



16	Q'ty : 2pcs	17	Q'ty : 2pcs	18	Q'ty : 2pcs	19	Q'ty : 2pcs	20	Q'ty : 4pcs
									
				Ø0.5*14mm	Ø0.4*35mm		Ø0.5*1mm		