

RS 20 S

EAN 4007841 079734
Article number 079734



LED

30 years (Ø 4,5h / day)

3000 K

3000K warm-white



indoor light



high frequency sensor 360°



mounting height max. 4 m



Ø 1 - 8 m



2 - 2000 lux



IP44



5 sec - 15 min



10% basic brightness

Function description

Technical specifications

Dimensions (Ø x H)	280 x 110 mm
With lamp	Yes, STEINEL LED system
With motion detector	Yes
Manufacturer's Warranty	3 years
Settings via	Potentiometers
With remote control	No
PU1, EAN	4007841079734
Application, place	Indoors
Application, room	corridor / aisle, changing room, function room / ancillary room, kitchenette, stairwell, WC / washroom, outdoors, Indoors
Colour	white
Installation site	wall, ceiling
Installation	Wall, Ceiling, Surface wiring
Impact resistance	IK03
IP-rating	IP44
Protection class	II
Ambient temperature	10 – 40 °C
Housing material	Plastic

Electronic scalability	Yes
Mechanical scalability	No
Reach, radial	Ø 8 m (50 m ²)
Reach, tangential	Ø 8 m (50 m ²)
Photo-cell controller	Yes
Transmitter power	< 1 mW
Colour temperature	3000 K
Colour variation LED	SDCM3
Lamp	LED cannot be replaced
LED cooling system	Passive Thermo Control
Soft light start	Yes
Continuous light	selectable, 4h
Twilight setting	2 – 2000 lx
Time setting	5 s – 15 Min.
Basic light level function	Yes
Basic light level function time	10/30 min, all night
Twilight setting TEACH	No
Interconnection	Yes
Type of interconnection	Master/master

Sensor-switched LED indoor light

RS 20 S

EAN 4007841 079734
Article number 079734



Technical specifications

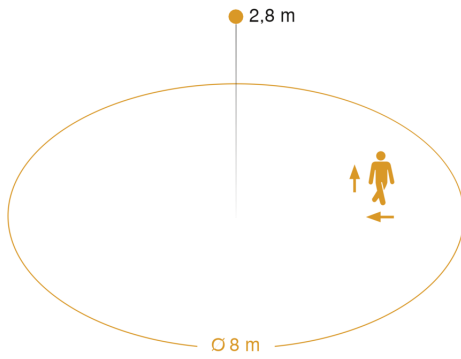
Cover material	Plastic, opal
Mains power supply	220 – 240 V / 50 – 60 Hz
Power consumption	0,38 W
Mounting height max.	4,00 m
HF-system	5,8 GHz
Detection	also through glass, wood and stud walls
Angle of aperture	160 °
Capability of masking out individual segments	Yes

Interconnection via	Cable
Absicherung B10 (ST)	54
Absicherung B16 (ST)	87
Absicherung C10 (ST)	90
Absicherung C16 (ST)	145
Basic light level function in per cent	10 %

RS 20 S

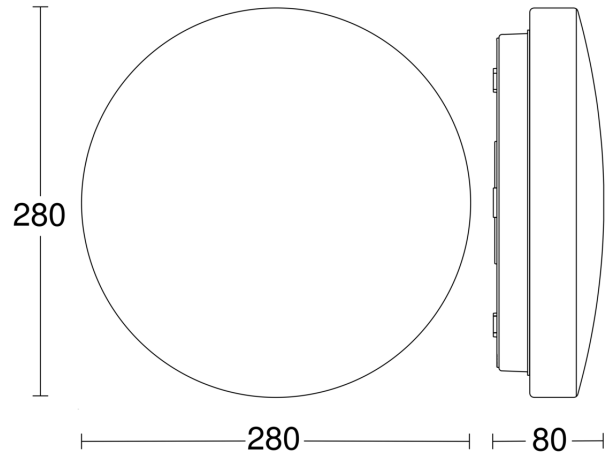
EAN 4007841 079734
Article number 079734

Detection Zone

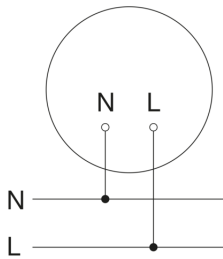


Mögliche Montagehöhe: 2,00 m – 4,00 m
Orange: radial und tangential

Dimension Drawing



Slave/wireless master interconnection circuit diagram



Master/master interconnection circuit diagram

