

Installation Instructions



Technical Parameter: AC 120V 60HZ

SMART CEILING FAN INSTALLATION GUIDE

Please read and follow the instructions carefully before using this product

**The product image shown here is indicative only.
Actual product you receive may differ.**



Read and Follow These Safety Precautions

1. Turn off electricity at main switch before wiring or servicing fan in order to avoid possible electrical shock.
 2. All wiring must be in accordance with the National Electric Code (ANSI/NFPA70-1999) and local electrical codes. Electrical installation should be performed by a qualified licensed electrician.
 3. After making the wire connections, the wires should be spread apart with the grounded conductor and the equipment-grounding conductor on the one side of the outlet box and the ungrounded conductor on the other side of the outlet box.
 4. The splices after being made should be turned upward and pushed carefully up into the outlet box.
 5. Conductor of a fan identified as grounded conductor to be connected to grounded conductor of power supply, conductor of a fan identified as ungrounded conductor to be connected to an ungrounded conductor of power supply, conductor of fan identified for equipment grounding to be connected to an equipment-grounding conductor.
 6. Fan should not be mounted in an area where it might get wet.
 7. To reduce the risk of fire, electric shock or personal injury, mount to outlet box marked "Acceptable for Fan Support" and use mounting screws provided with the outlet box. The outlet box and its support must be able to support the moving weight of the fan (at least 35lbs).
 8. For safety and best operating results, we recommend that you have a qualified electrician assemble and install your fan.
 9. **WARNING:** To reduce the risk of fire or electric shock, do not use this fan with any solid state speed control device.
 10. To reduce the risk of personal injury, do not bend the blade brackets when installing the brackets, balancing the blades or cleaning the fan. Do not insert foreign objects in between rotating fan blades.
 11. Check downrod length to ensure blades are at least 7 feet (2.1m) above the floor.
-

Troubleshooting Steps

Problem A: Fan Will not Start

1. Check fuse or circuit breaker and replace it if necessary
2. Turn off electrical power and check all wire connectors.
3. See operation instructions.

Problem B: Fan is Excessively Noisy

1. Check if all screws in fan assembly are tight and properly seated.
2. Check and make sure mounting bracket is installed properly.
3. Check and make sure light kit and glass are installed properly and tight.

Problem C: Fan Wobbles

1. Check and make sure all blades are screwed firmly into blade holders.
2. Check and make sure all blade holders are screwed firmly into motor.
3. Check the weight of blades. All our blades are weighed on electronic scales. The weight is marked on the reverse side of the fan blade near the motor end. All of the blades should be the same weight to prevent fan from wobbling.
4. Use the enclosed balancing kit if needed

Problem D: Unable to pair switch and app

1. The WIFI must be 2.4Ghz, The app is incompatible with 5Ghz WIFI.
2. Press and hold OFF button for 8 seconds until LEDs start blinking on switch button to pair with App again. Using the AP mode will improve your success rate for the WiFi connection.

Before Assembly

1. Make sure that the fan voltage (120) is compatible with your own electrical system.
2. Check to make sure that your carton contains all the parts mentioned in the parts list.

NOTE: The box can be used as a work space to prevent any damage on the ornamental surface.

CAUTION: Before installing, choose a location for mounting the fan where the blades have at least 7 feet of clearance from all objects and floor. Mount an outlet box to the ceiling or use an existing box

CAUTION: Do not mount fan to sheetrock or drywall type materials. To ensure proper support, use the two #1 wood screws to secure mounting bracket to joist or beam. If the location you choose does not have a suitable support beam, install a 2"x 4" brace between ceiling joists for a proper support.

Screw Package	Quantity	Hardware
S1. Blade Screws & Washers	10	
S2. Wire Nuts	4	
S3. Wood Screws & Flat Washers	2	
S4. 5/32-Screws & Lock Washers	2	

Screw Package for Smart Switch	Quantity	Hardware
S6. Wall Switch Cover Screws	2	
S7. Wall Switch Screws	2	
S8. White Wire	1	
S9. Wire Nuts	1	

Tools you Need

1. Phillips Screwdriver

3. Adjustable Wrench

2. Flat Screwdriver

4. Wire Strippers

What You Have

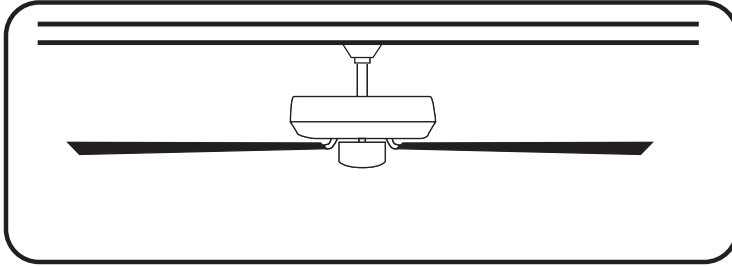
Smart Switch

Turn off circuit breakers and wall switch to the fan supply line leads.

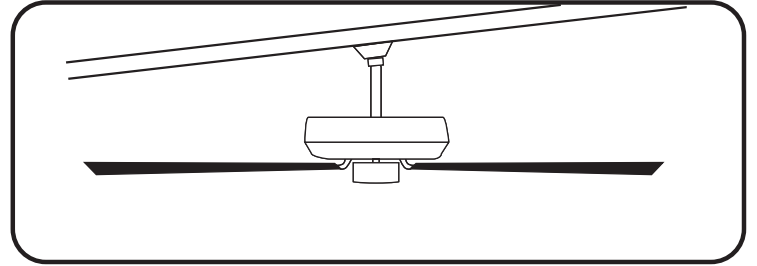


Preparation
&
Caution

Important: When using an existing outlet box, be sure the box is securely attached to the building structure and can support the full weight of the fan. Failure to do so can result in serious injury or death.

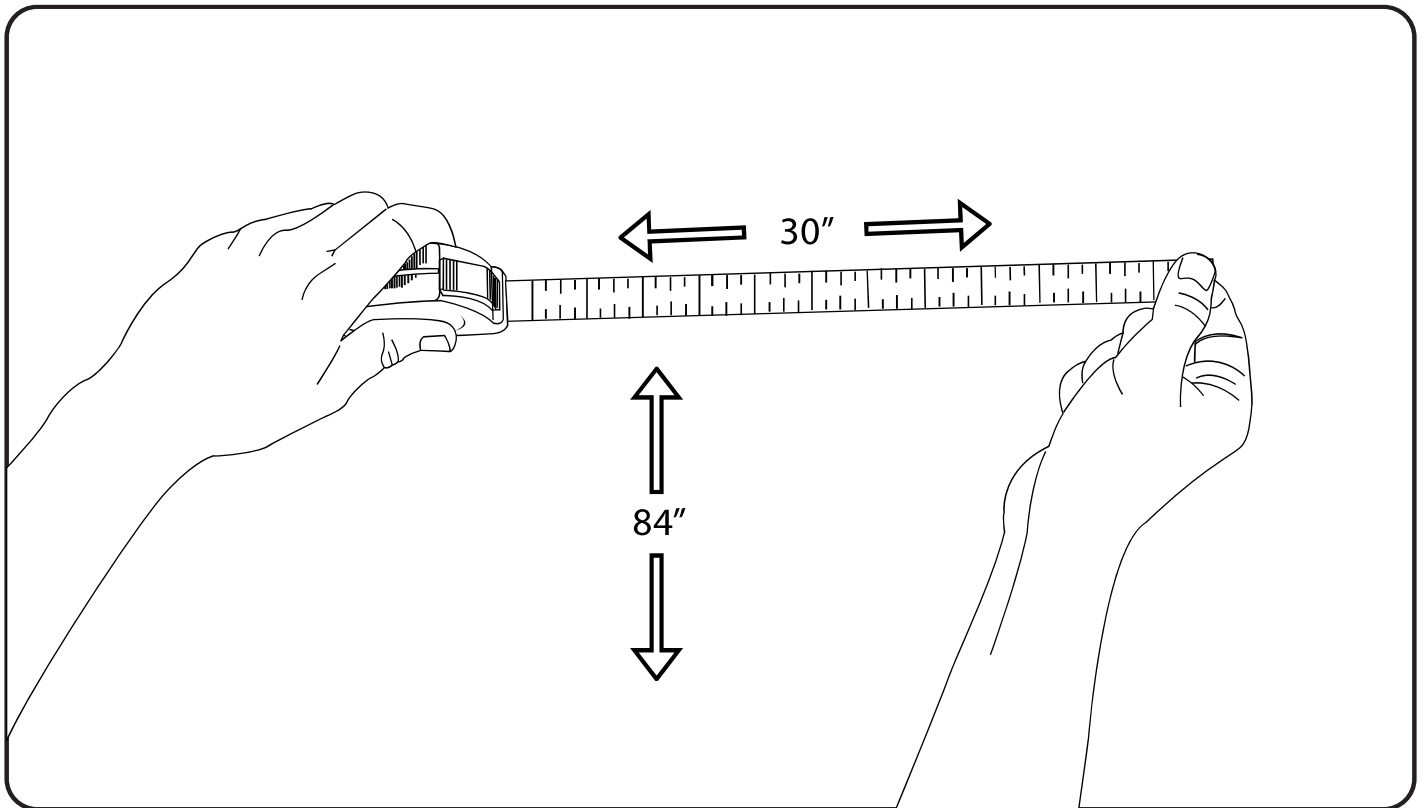


a.) Downrod Mount
(Flat Ceiling)



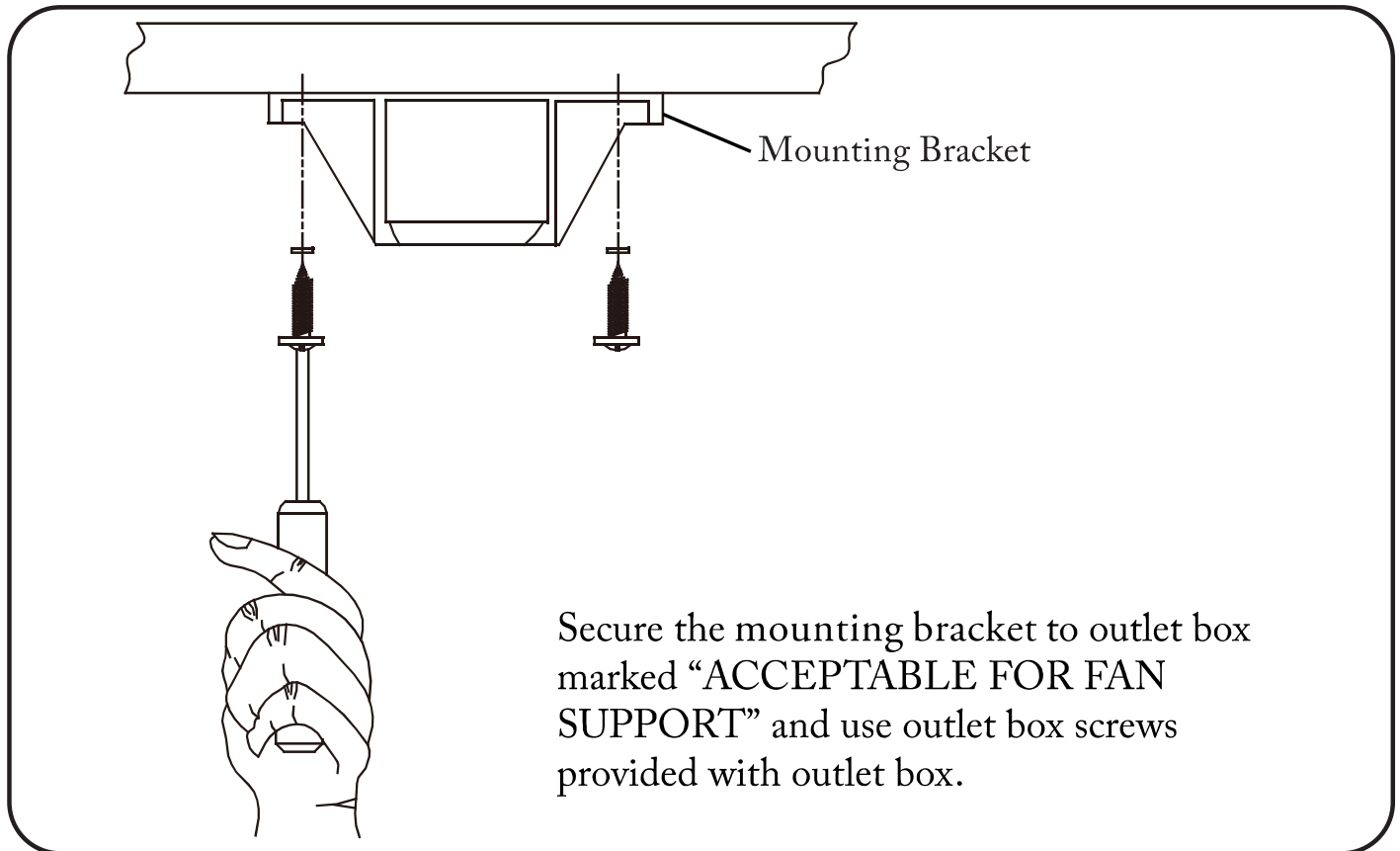
b.) Angle Mount
(Vaulted Ceiling)

IMPORTANT: If using the angle mount method, check to make sure the ceiling angle is not steeper than 18° . Angles greater than 18° will require a 35° angle adapter.



- Check to make sure blades are at least 30" from any obstruction.
- Check downrod length to make sure blades are at least 7.1' above the floor.

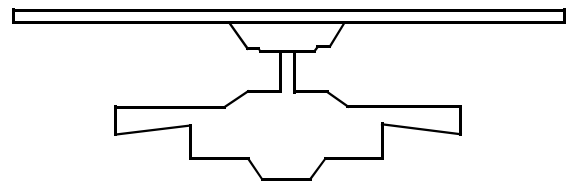
Installing Mounting Bracket



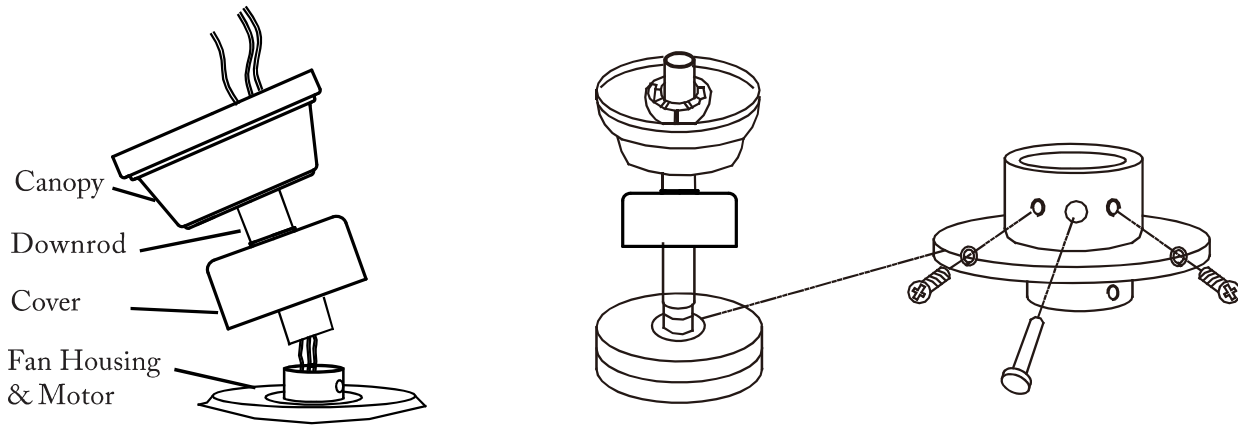
Mounting options

Drop-mount (for flat ceilings)

. This method is preferred if the ceiling is sloped or vaulted, or if ceiling is extra high, requiring the need of a downrod.

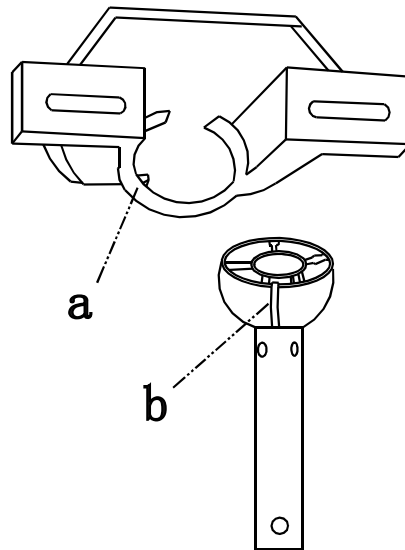


Installing Drop-mount



- . Loosen the two downrod set screws and remove the clip and connection pin from the downrod coupling. Insert the downrod through canopy and cover, pull lead wires through downrod.
- . Insert downrod into downrod coupling. Make sure to align holes in downrod with the holes in the coupling. Insert the clip into the connection pin until it snaps into place. Tighten the screws in the downrod coupling.

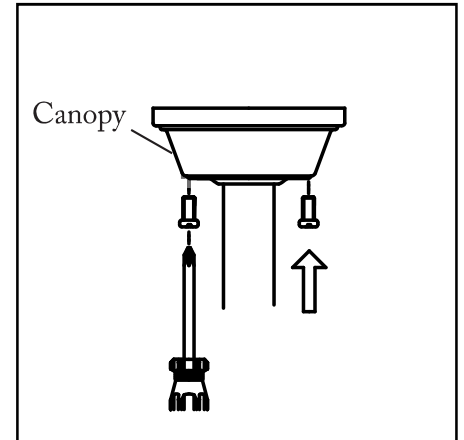
Installing Hugger mount



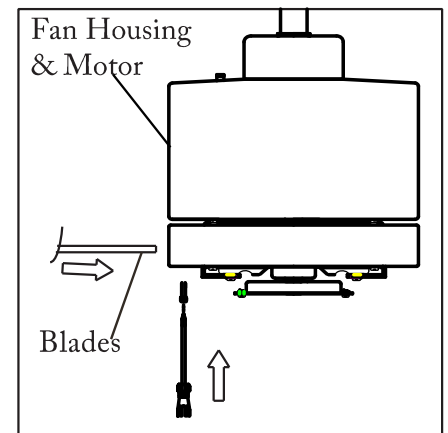
- . Carefully lift the fan assembly onto the mounting bracket.
 - . Rotate the fan until the notch(b) on the Nylon Ball fits against the ridge(a) on the mounting bracket.
 - . With the mounting bracket holding the fan assembly, follow wiring instructions.
- WARNING:** Failure to holding the fan assembly may result in serious injury or death.

Assembly

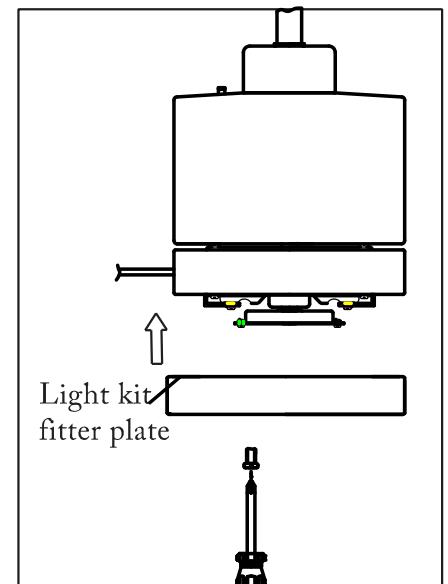
- . Unhook the assembly from the mounting bracket.
- . Hold the assembly by the canopy and raise up to align the two holes in the canopy with the holes in the mounting bracket.
- . Tighten the loosened screws. Now re-secure the screws and washers which were removed.



- . Locate 9 blade attachment screws and washers in hardware pack. Slide blade through centre band and align holes. Insert 3 blade attachment screws and washers with fingers. Tighten securely with a screwdriver. Repeat for the remaining blades.

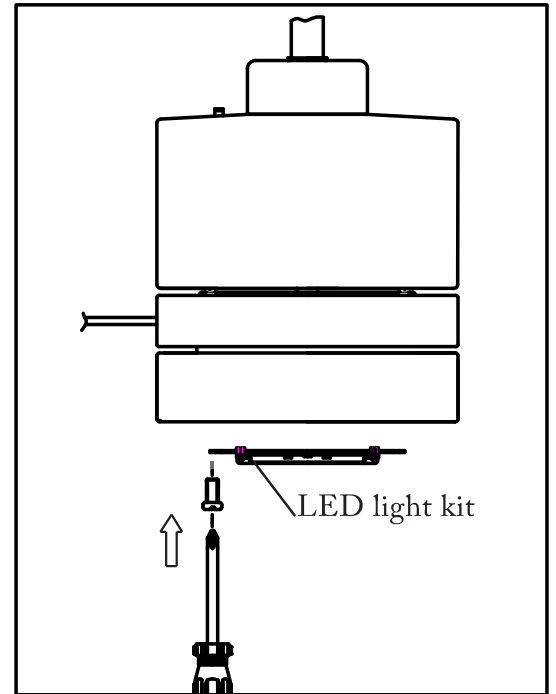


- . Remove 1 screw from motor plate on underside of motor and partially loosen the other 2 screws.
- . Align slotted holes in fitter plate with loosened screws in motor plate, allowing mox to come through centre hole in fitter plate. Twist fitter plate to lock. Re-insert screw that was previously removed and securely tighten all 3 screws with a crosshead screwdriver.

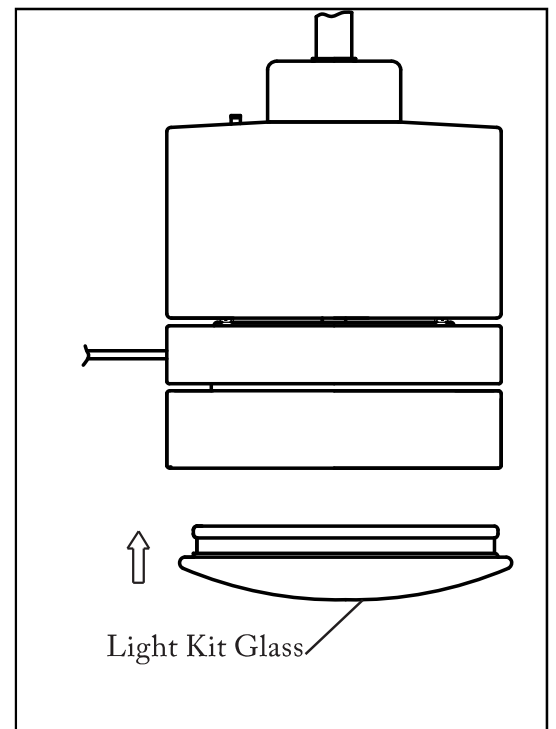


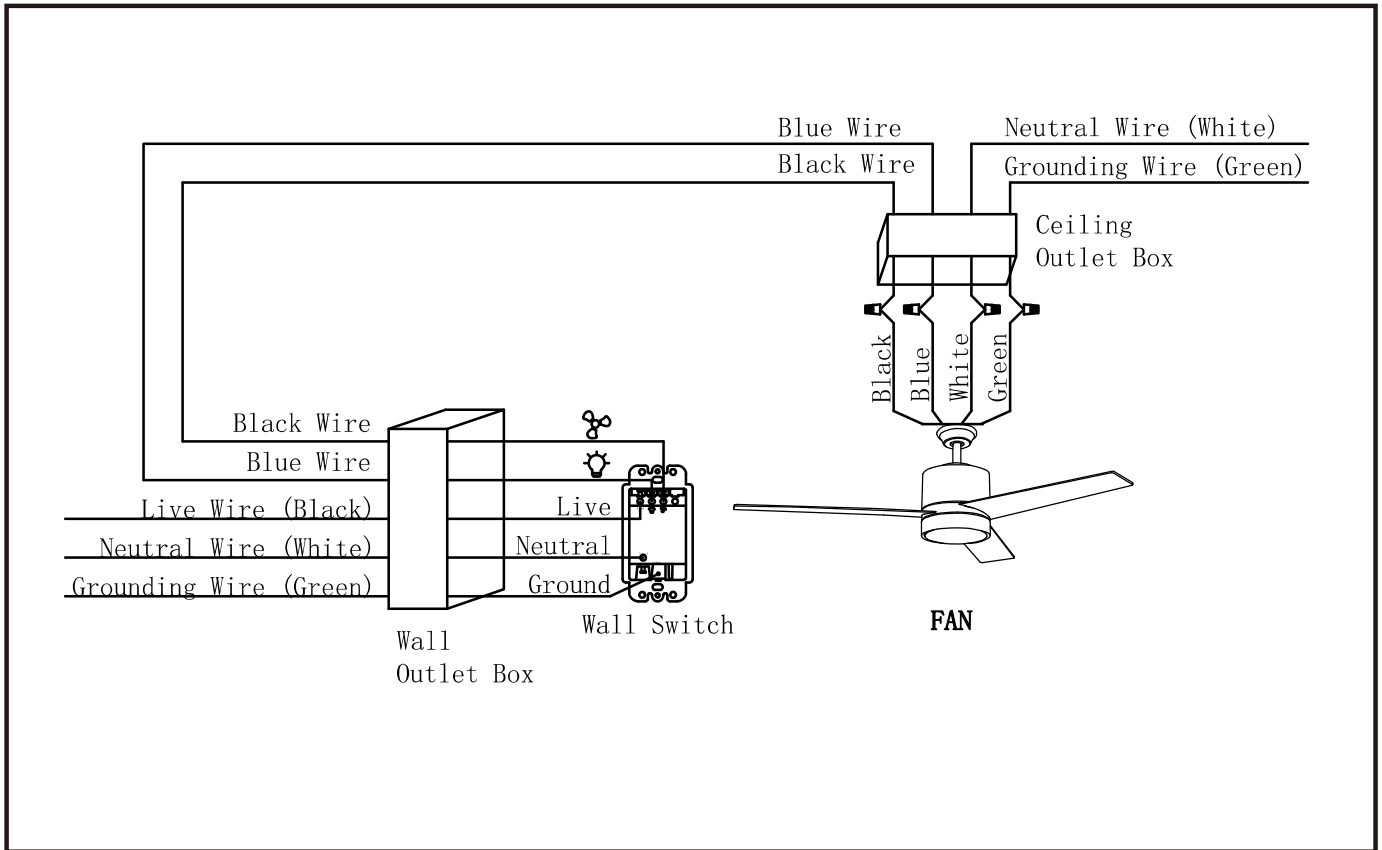
Light Kit Installation

- Remove 1 screw from motor plate on underside of motor and partially loosen the other 2 screws.
- Connect blue wire from motor assembly to blue wire from the LED light kit. Connect white wire from motor assembly to white wire from LED light kit. Make sure moxex connections snap together completely.



- Gently push up on glass shade and turn to the RIGHT (clockwise) until it slides completely into place
- NOTE: Pull down VERY GENTLY on glass shade to make sure it's properly fitted.





Make wire connections using wire nuts:

Fan wire connection:

- 1.) Connect blue wire from fan to blue wire from ceiling outlet box.
- 2.) Connect black wire from fan to black wire from ceiling outlet box.
- 3.) Connect white wire from fan to white wire (neutral) from ceiling outlet box.
- 4.) Connect green ground wires from downrod and bracket to ground wire (green or bare copper) from ceiling outlet box.

Wall switch connection:

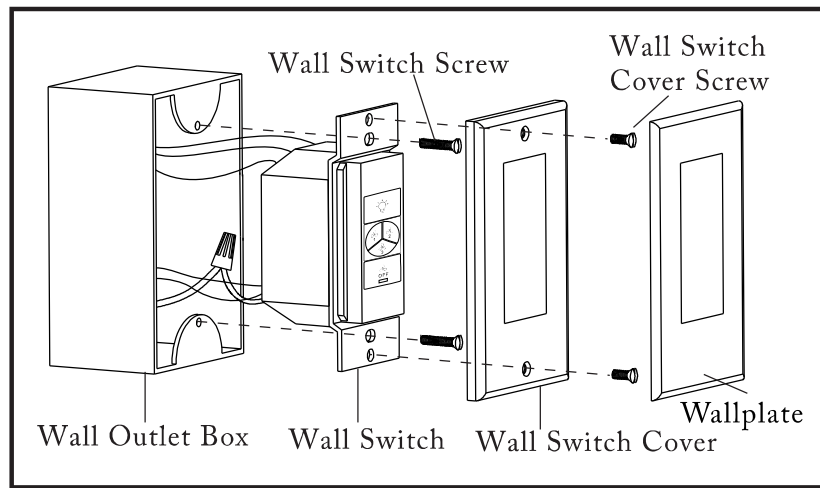
- 1.) Take out the white wire and wire nut from the screw bag . Stick this white wire to the switch by the provided screw. Then connect tightly this white wire to the neutral wire from the wall by wire nut.

(If the length of neutral wire from the wall is long enough, connect it to the switch directly.)

- 2.) Connect tightly the remaining wires from the wall to the switch by the provided screws as per above wiring diagram.

Note: If the wiring in your wall outlet box does not resemble any of these configurations, consult a qualified electrician.

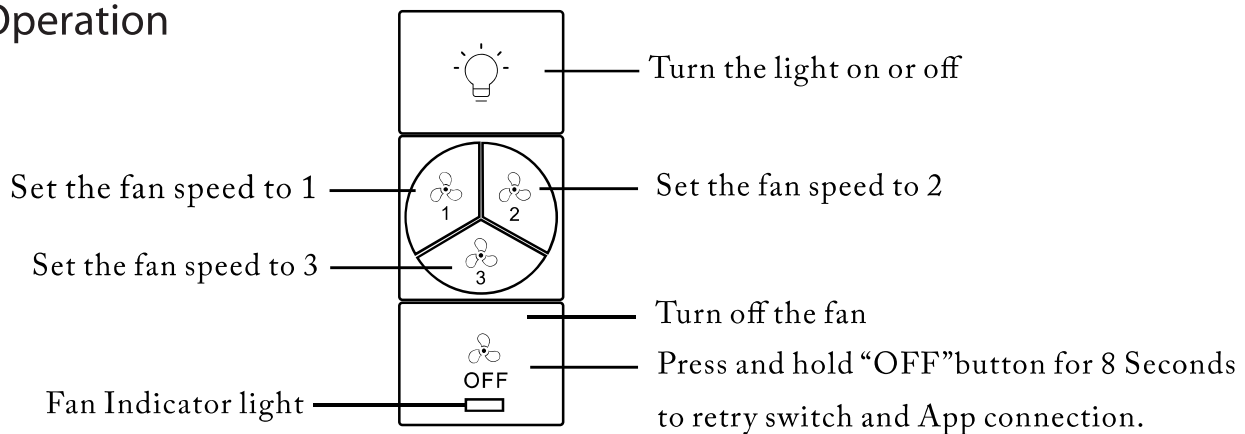
WARNING: Be sure no bare wire or wire strands are visible after making connection.



Wall Switch Installation:

Carefully tuck the wire connections from wall switch inside wall outlet box. Secure the wall switch with two wall switch screws provided. Attach the wall switch cover over the wall switch and secure with two wall switch cover screws provided. Then snap in the wallplate.

Operation



NOTE: If the fan indicator light is green and the fan is in the OFF position.

If the fan indicator light is red and the fan is in the ON position.

If the fan indicator light is blinking and the switch is ready to pair with the App.

If you are unable to pair switch and App, press and hold "OFF" button for 8 Seconds until LEDs start blinking slowly on switch button to pair with App again. Use the AP mode will improve your success rate for the WiFi connection.

Cleaning: Clean with a damp cloth. DO NOT use chemical cleaners.

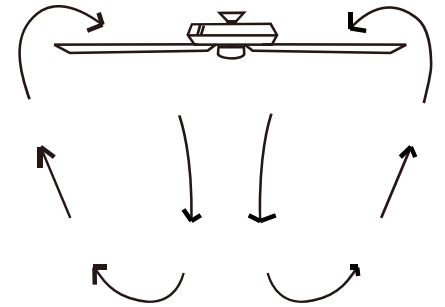
Forward and Reverse Direction Function

This ceiling fan is equipped with a Reverse Switch for downward or upward air-flow.

NOTE: Do not use the Reverse Switch when the fan blades are in motion.

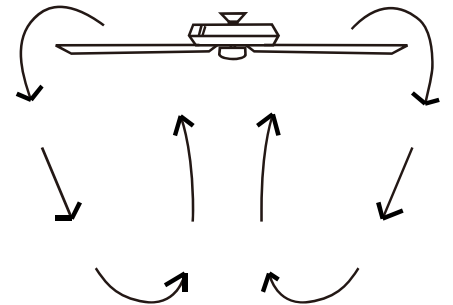
Forward function

.On this setting, the fan will turn counterclockwise to create a cooling effect. Use this function during warmer weather to circulate the hot air away from your living space.



Reverse function

.On this setting, the fan will turn clockwise. Use this function during cooler weather to re-circulate warm air.



Maintenance

- Because of the fan's constant spinning movement, some connections may become loose. Check the support connections, brackets and blade attachments twice a year. Make sure they are secure.
- There is no need to oil your fan. The motor has permanently-lubricated bearings.

Care and Cleaning

- Dust your fan periodically with a soft, dry cloth. Do not use harsh cleaners or materials as they may damage the unit.
- To prevent bending the blades during cleaning, support the blades so that no pressure is applied to them.

Caution!

Do not allow water to come in contact with fan blades or the ceiling fan. Doing so will create fire and/or shock hazards, damaging property.

Connecting to the App

1. First download the free App from the App Store or Google Play.
Note: This ceiling fan needs to use 2.4Ghz WIFI to work when connecting the device, and after connecting, it can use the 5Ghz or 2.4Ghz.
2. Open the App to create your account. The account can be registered through E-mail only.
3. Connect the device to the App (Three ways to connect) :

①Bluetooth Connect (WIFI & Bluetooth On)

- a. Press "+" button into the device list, then a window will pop up to show you some devices can be connected.
- b. Click "Go to add" (If you click "Do not add" by mistake, please see "Do not add" steps).
- c. Choose the device.
- d. Connect to your home WIFI, then go back to the app and wait for the app to connect with your device.

"Do not add" steps:

- a. Select "Electrical" (smart switch) or "Lighting" (ceiling fan with light) on the sidebar menu then select "Ceiling Fan Switch" or "Ceiling Fan with Light" and tap next.
- b. Connect to your home WIFI and tap "Next" to wait for the connection.

Note: if your device does not appear in the "go to connect" section, continuously hold the WIFI Pairing button until the hotspot pops up as a discoverable device.

②WIFI Connect-AP Mode (WIFI On & Bluetooth Off)

- a. Smart ceiling fan: Press and hold the WIFI button on the remote for 5 seconds for AP Mode.
 Smart switch: Press and hold the "OFF" button for 10 seconds till the indicator light blinks slowly to enter into AP Mode.
- b. Press "+" button to select "Electrical" (smart switch) or "Lighting" (ceiling fan with light) on the sidebar menu then select "Ceiling Fan Switch" or "Ceiling Fan with Light".
- c. Connect to your home WIFI (2.4Ghz Only).
- d. Press "Next" button to go to connect the fan's WIFI signal.
- e. Choose the fan's WIFI signal "XXXX" then go back to the app.
- f. Wait for the connection.

③WIFI Connect-EZ Mode (WIFI On & Bluetooth Off)

- a. Press "+" button to select "Electrical" (smart switch) or "Lighting" (ceiling fan with light). on the sidebar menu then select "Ceiling Fan Switch" or "Ceiling Fan with Light".
- b. Connect to your home WIFI (2.4Ghz Only) and next.
- c. Click the right corner on the top to choose "EZ Mode".
- d. Tap "Next" button to wait for the connection to complete.

Connecting to Smart Devices

1. Connect the device to Google Home:
 - a. Make sure you have connected the device to the App and it is working normally.
 - b. Open the Google Home app, select set up a device, and choose "Works with Google".
 - c. Search, log in with your App account and password, then authorize and connect with App.
 - d. Then the Google Assistant will find the device automatically.

2. Connect the device to Siri shortcuts:
 - a. Make sure you have connected the device to the App and it is working normally.
 - b. Tap "Scene" on the main menu.
 - c. Tap "Create Scene".
 - d. Tap "Launch Tap To Run".
 - e. Tap "+".
 - f. Run the device.
 - g. Choose the device you want to control by Siri.
 - h. Select the function you want to control by Siri.
 - i. Then save the function setting.
 - j. Add to Siri, choose the scene you've just made, and add to Siri.
 - k. Enter the sentence you want to say to initialize the device, and add to Siri.

FCC/IC Information

This device complies with part 15 of the FCC Rules and Industry Canada license-exempt RSS standard(s).

Operation is subject to the following two conditions:

(1) This device may not cause interference, and (2) this device must accept any interference, including interference that may cause undesired operation. Modifications not expressly approved by Carro USA Inc. could void the user's authority to operate this equipment.

Note: This equipment has been tested and found to comply with the limits for a Class B digital device, pursuant to part 15 of the FCC Rules. These limits are designed to provide reasonable protection against harmful interference in a residential installation. This equipment generates, uses and can radiate radio frequency energy and, if not installed and used in accordance with the instructions, may cause harmful interference to radio communications. However, there is no guarantee that interference will not occur in a particular installation. If this equipment does cause harmful interference to radio or television reception, which can be determined by turning the equipment off and on, the user is encouraged to try to correct the interference by one or more of the following measures:

- Reorient or relocate the receiving antenna.
- Increase the separation between the equipment and receiver.
- Connect the equipment into an outlet on a circuit different from that to which the receiver is connected.
- Consult the dealer or an experienced radio/TV technician for help.