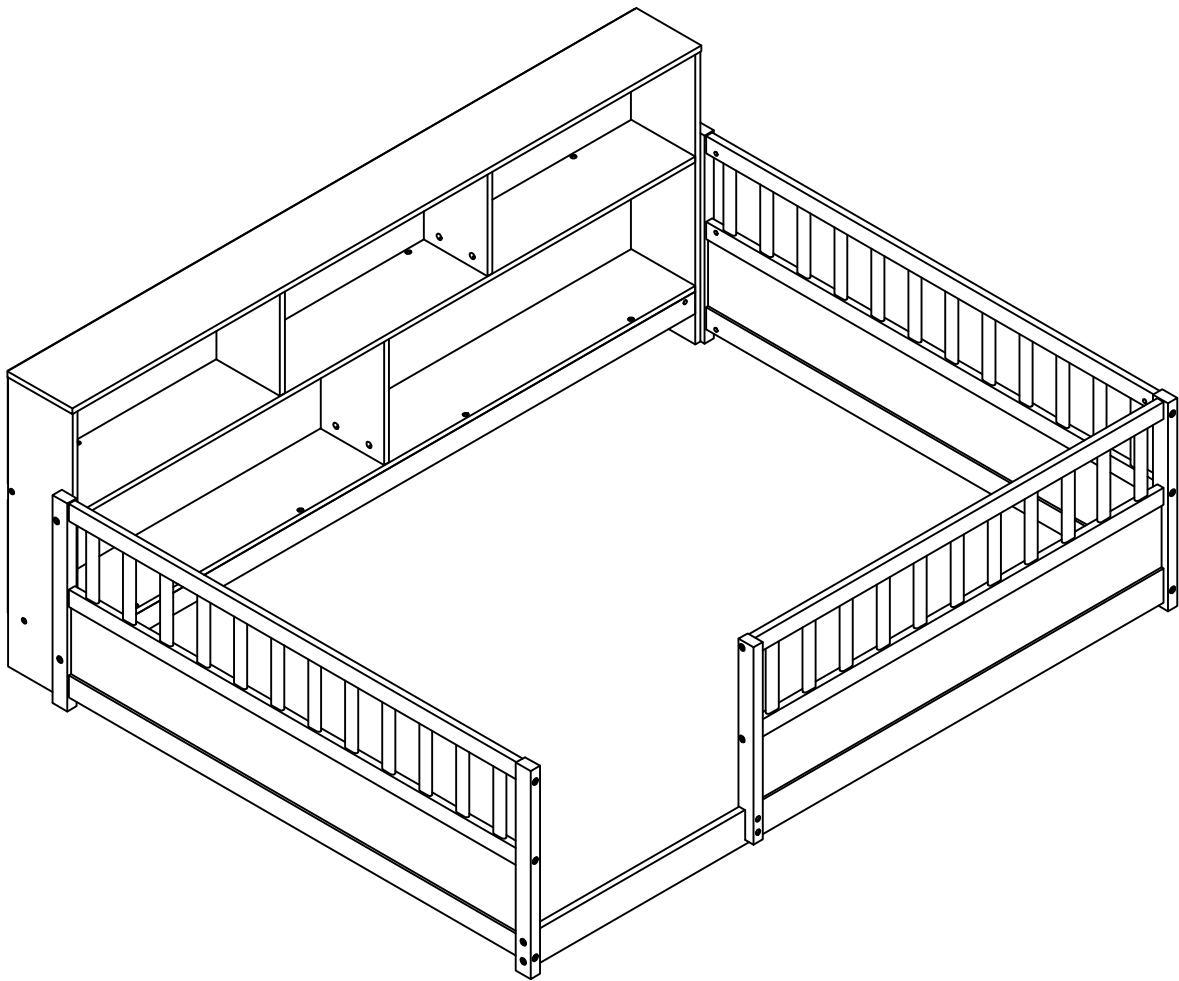
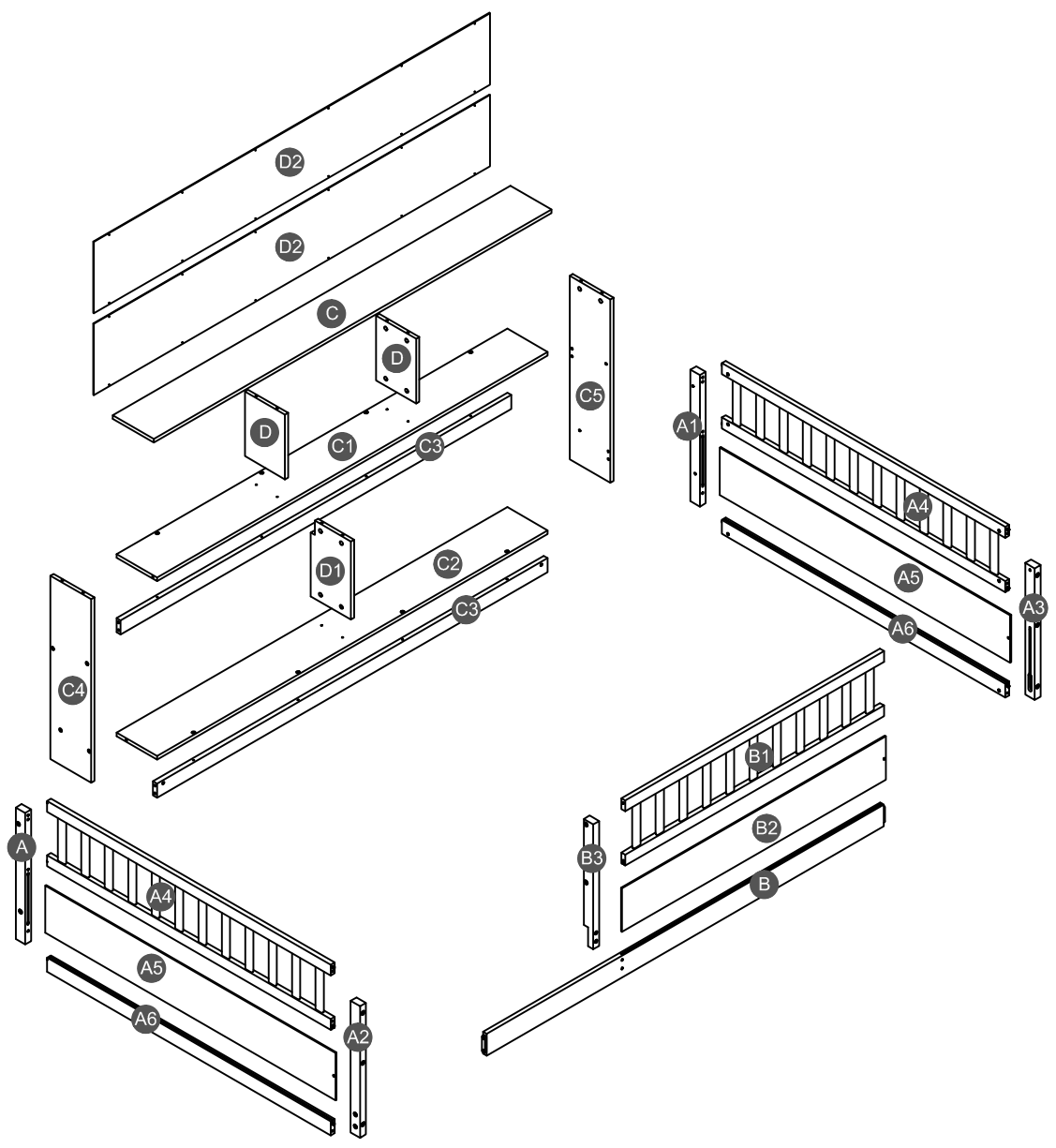


ASSEMBLY INSTRUCTIONS

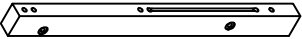
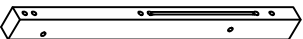
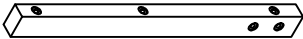
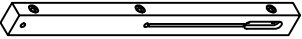
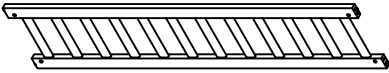



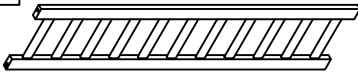
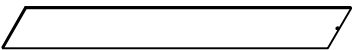
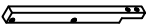
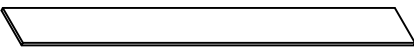


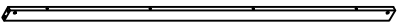

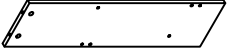

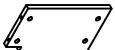
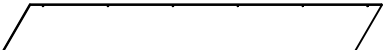
FULL BOOKCASE FLOOR BED



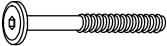
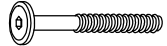






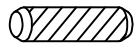

Detail View



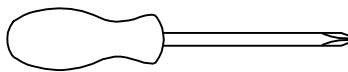
Part List

<p>A</p>  <p>Leg (Left Back) - 1pc</p>	<p>A1</p>  <p>Leg (Right Back) - 1pc</p>	<p>A2</p>  <p>Leg (Left Front) - 1pc</p>
<p>A3</p>  <p>Leg (Right Front) - 1pc</p>	<p>A4</p>  <p>Frame (HB & FB)- 2pcs</p>	<p>A5</p>  <p>Panel HB & FB - 2pcs</p>
<p>A5</p>  <p>Horizontal bar HB & FB - 2pcs</p>	<p>B</p>  <p>Horizontal front - 1pc</p>	<p>B1</p>  <p>Frame guard rail (Front) - 1pc</p>
<p>B2</p>  <p>Front panel- 1pc</p>	<p>B3</p>  <p>Support guard rail - 1pc</p>	<p>C</p>  <p>Top panel - 1pc</p>
<p>C1</p>  <p>Upper shelf panel - 1pc</p>	<p>C2</p>  <p>Lower shelf panel - 1pc</p>	<p>C3</p>  <p>Horizontal bar - 2pcs</p>
<p>C4</p>  <p>Left side panel- 1pc</p>	<p>C5</p>  <p>Right side panel -1pc</p>	<p>D</p>  <p>Upper mid panel - 2pcs</p>
<p>D1</p>  <p>Lower mid panel - 1pc</p>	<p>D2</p>  <p>Back panel - 2pcs</p>	

Hardware List

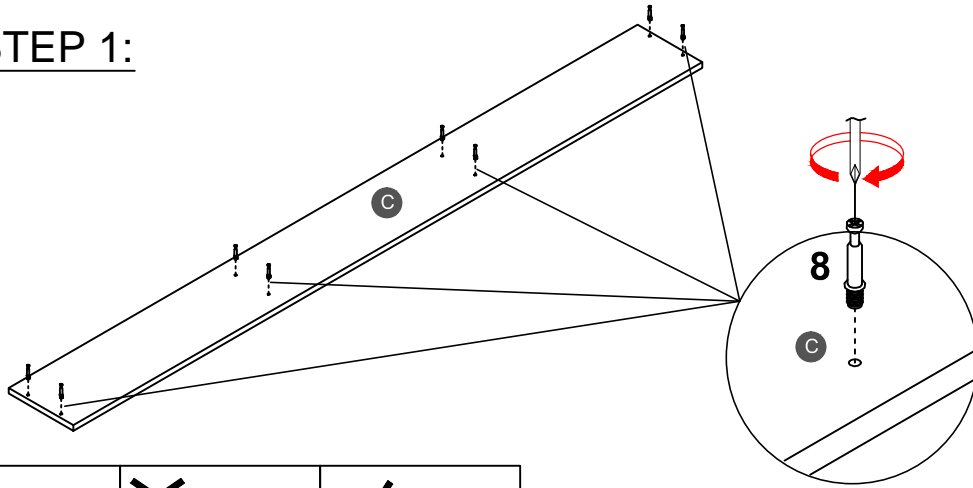
1  (Ø15)1/4"*80mm Hex-Head bolts (24pcs)	2  (Ø12)1/4"*60mm Hex-Head bolts (4pcs)	3  (Ø12)1/4"*35mm Hex-Head bolts (2pcs)
4  1/4"*15 (9.5mm) Horizontal-Hole bolts(28pcs)	5  Ø3.5*15mm Wood screws (24pcs)	6  (1/4")4.5*58mm Allen key (1pc)
7  Ø14*9mm Cam lock(16pcs)	8  Ø7*35mm Cam lock (16pcs)	9  Ø8*30mm Wood dowel (4pcs)
10  (Ø12)1/4"*40mm Hex-Head bolts (8pcs)		


ASSEMBLY TOOLS REQUIRED (NOT INCLUDED)

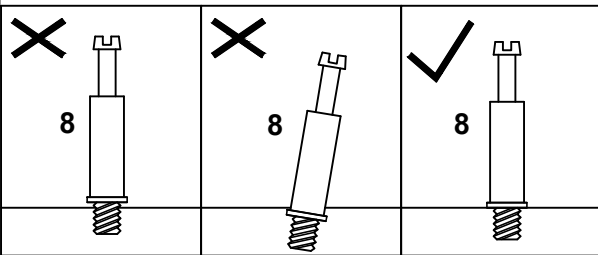


PLEASE BE CAREFUL DO NOT DAMAGE THE HOLE POSITION WHEN YOU USE POWER TOOLS !

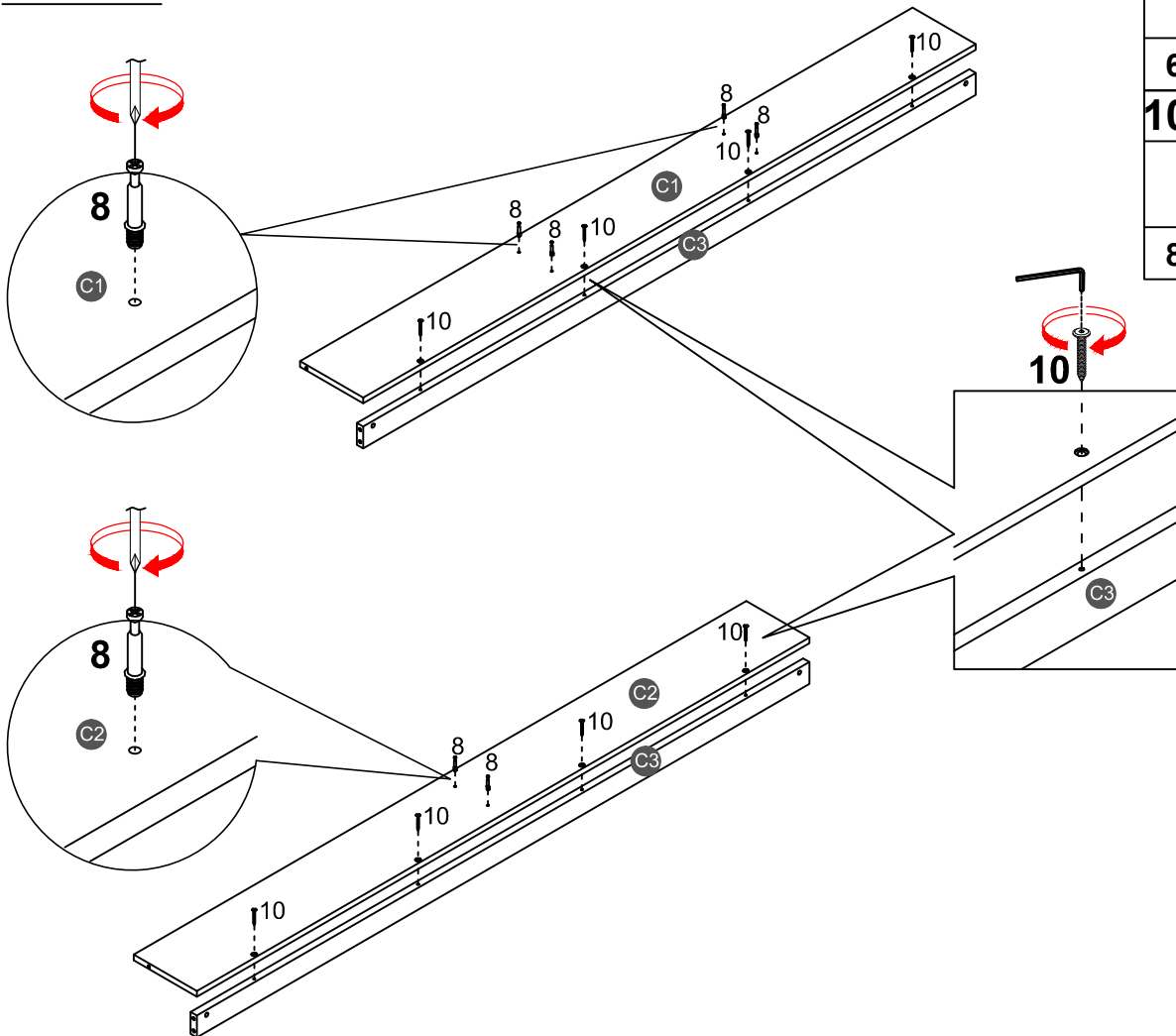
STEP 1:





8

8PCS

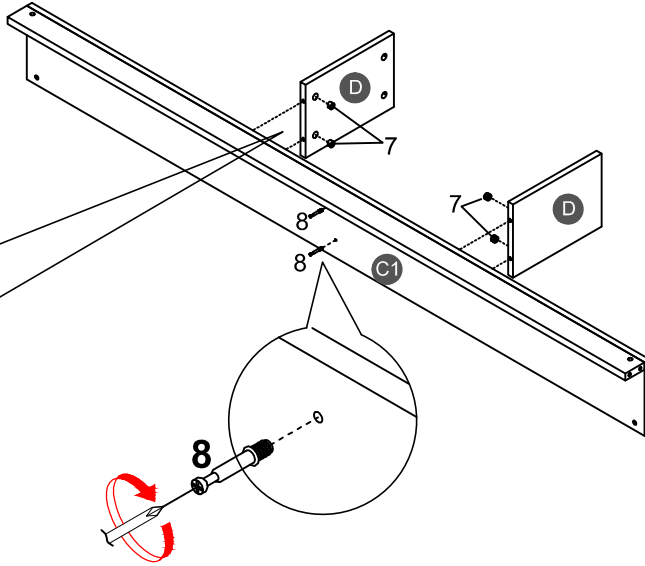
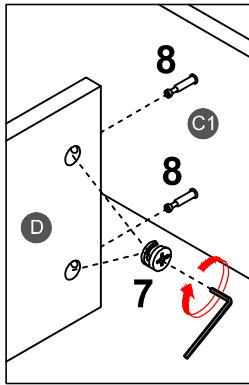


STEP 2:



8

6PCS
10

8PCS

STEP 3:



7

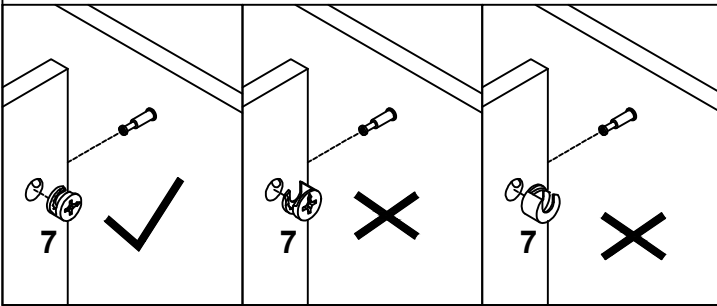


4PCS

8

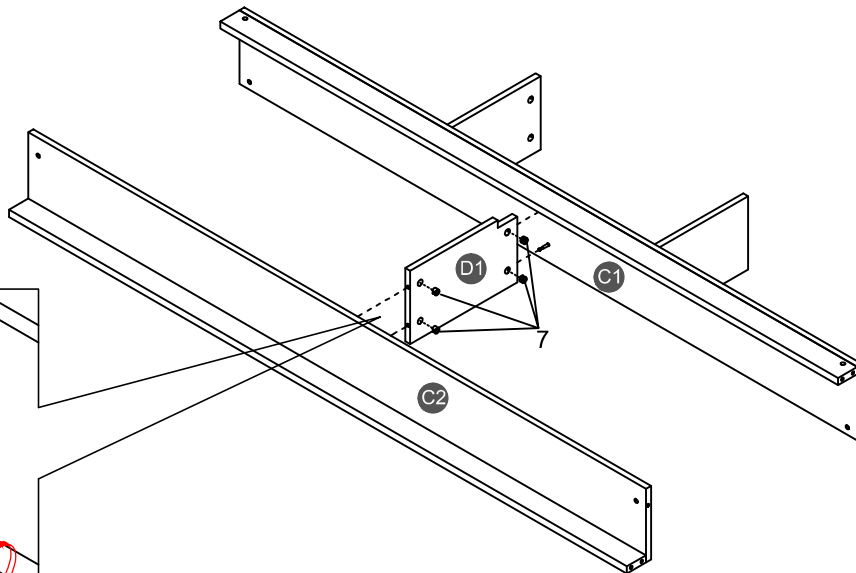
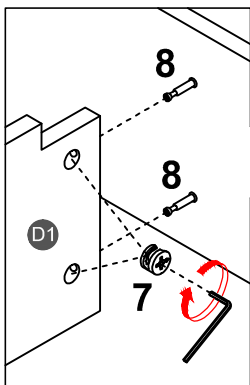


2PCS



Note: Place hardware #7 with the "X" face outward, and make sure that the arrowhead is upward. Then, place hardware #7 into the hole of hardware #8 and tighten it clockwise with a hand screwdriver. (Please do NOT use an electric screwdriver.)

STEP 4:






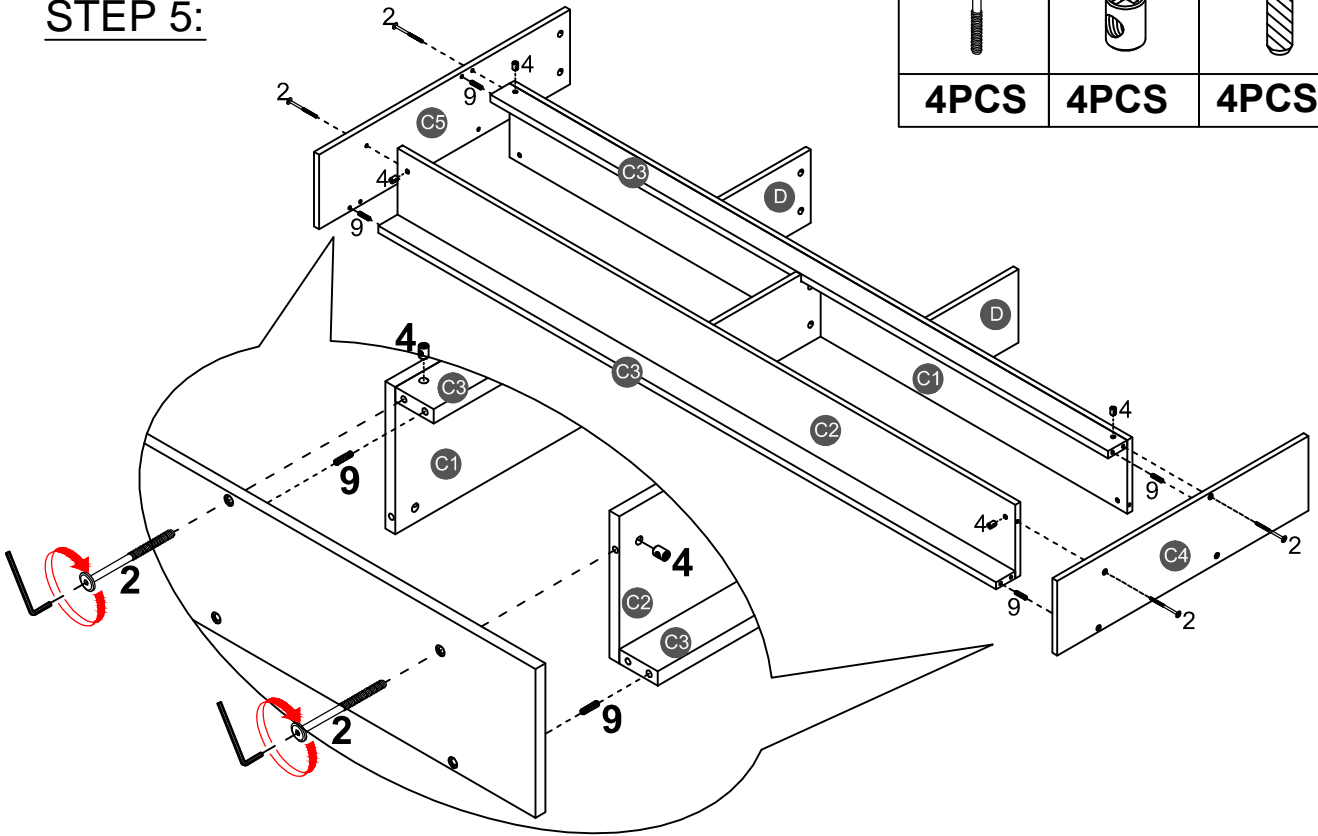
7



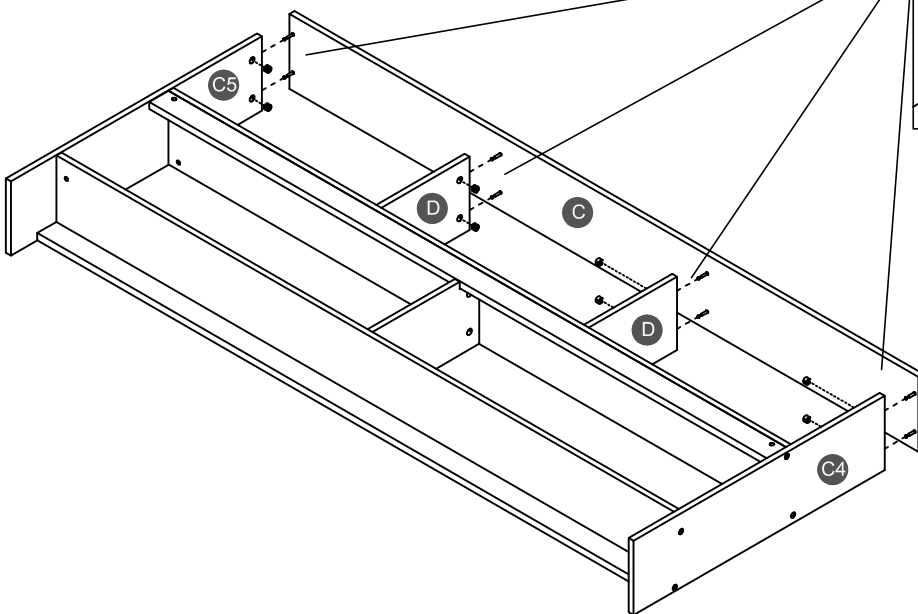
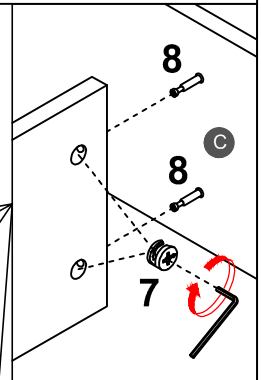
4PCS


STEP 5:

2		4		9	
4PCS		4PCS		4PCS	



STEP 6:



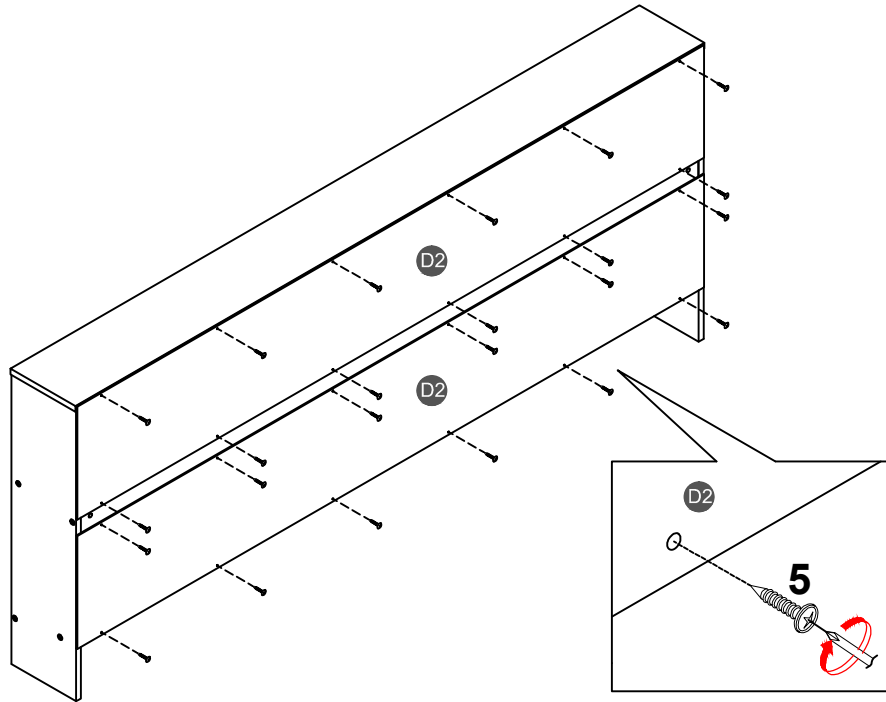
7	
8PCS	

STEP 7:

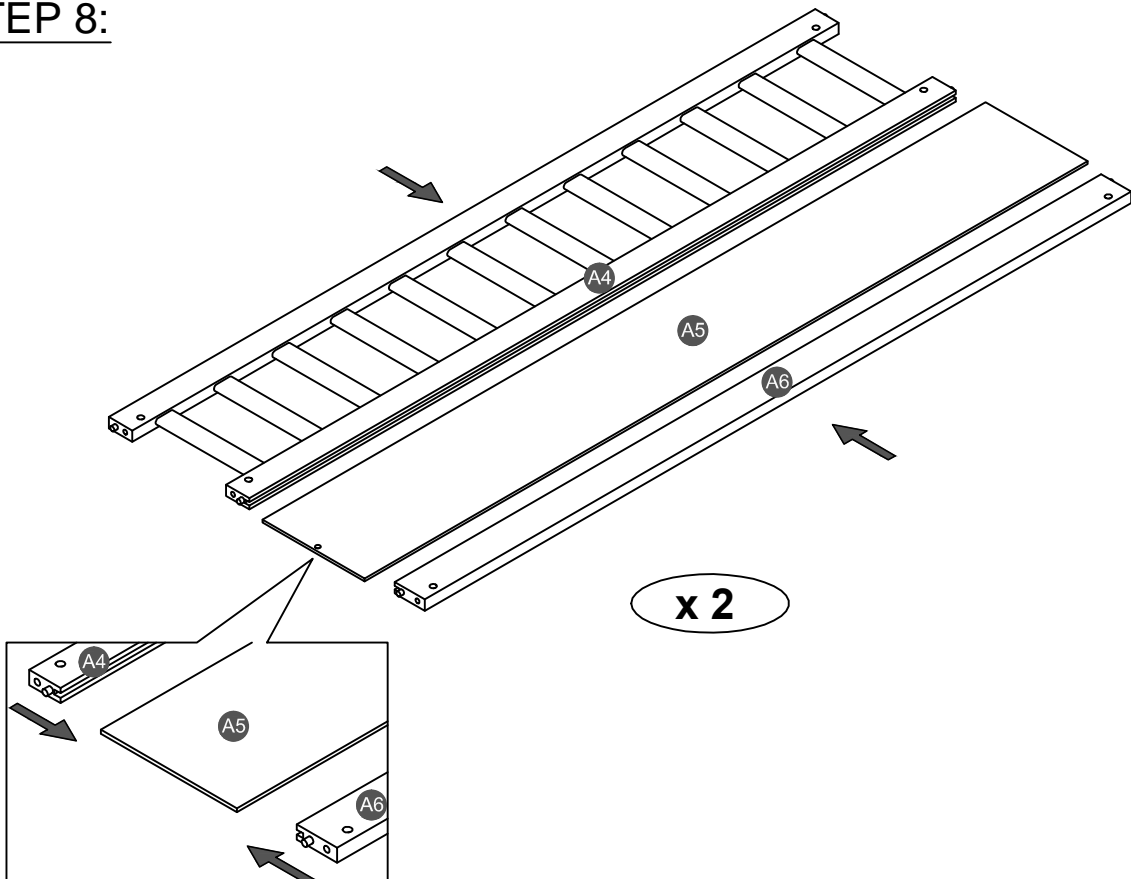
5



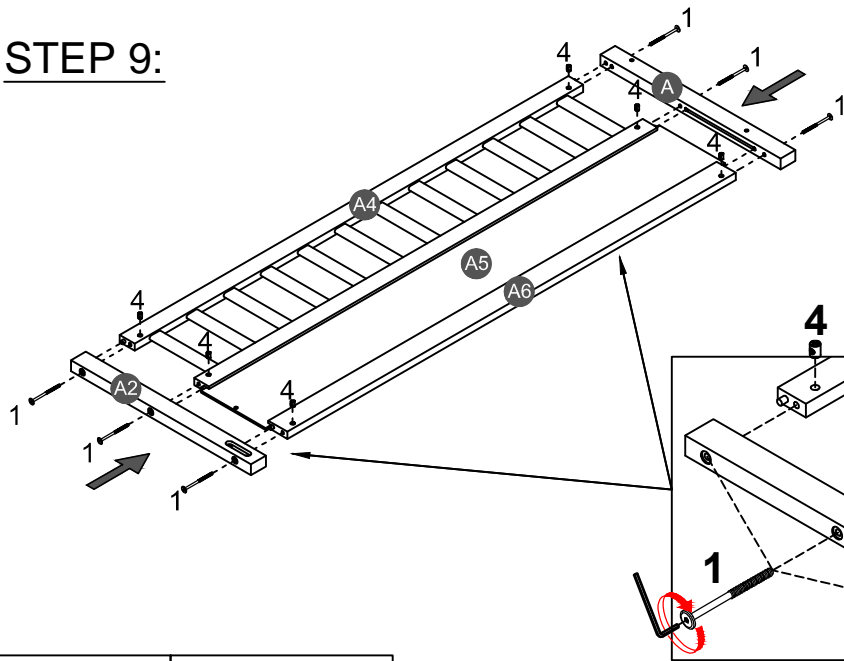
x24





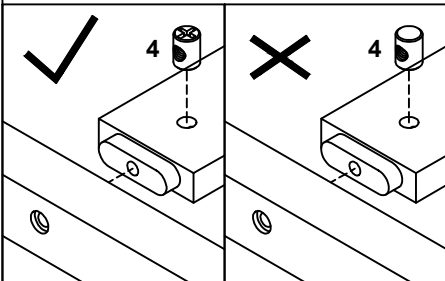
STEP 8:



STEP 9:

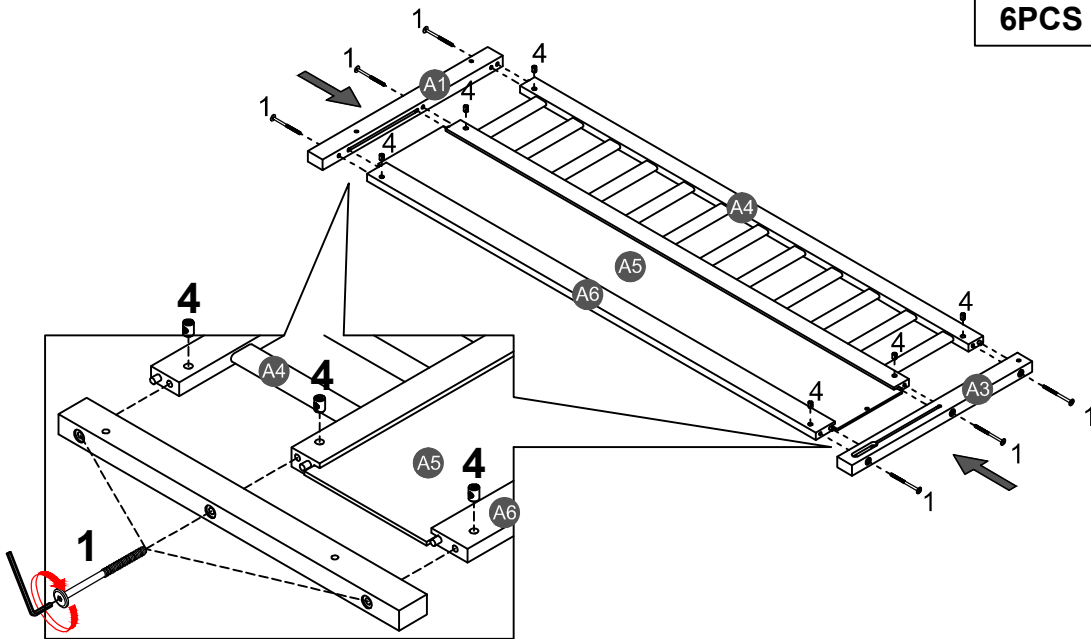




1		4	
6PCS		6PCS	





Note: Part 4 will face up with the "x" mark on it, otherwise it cannot be tightened

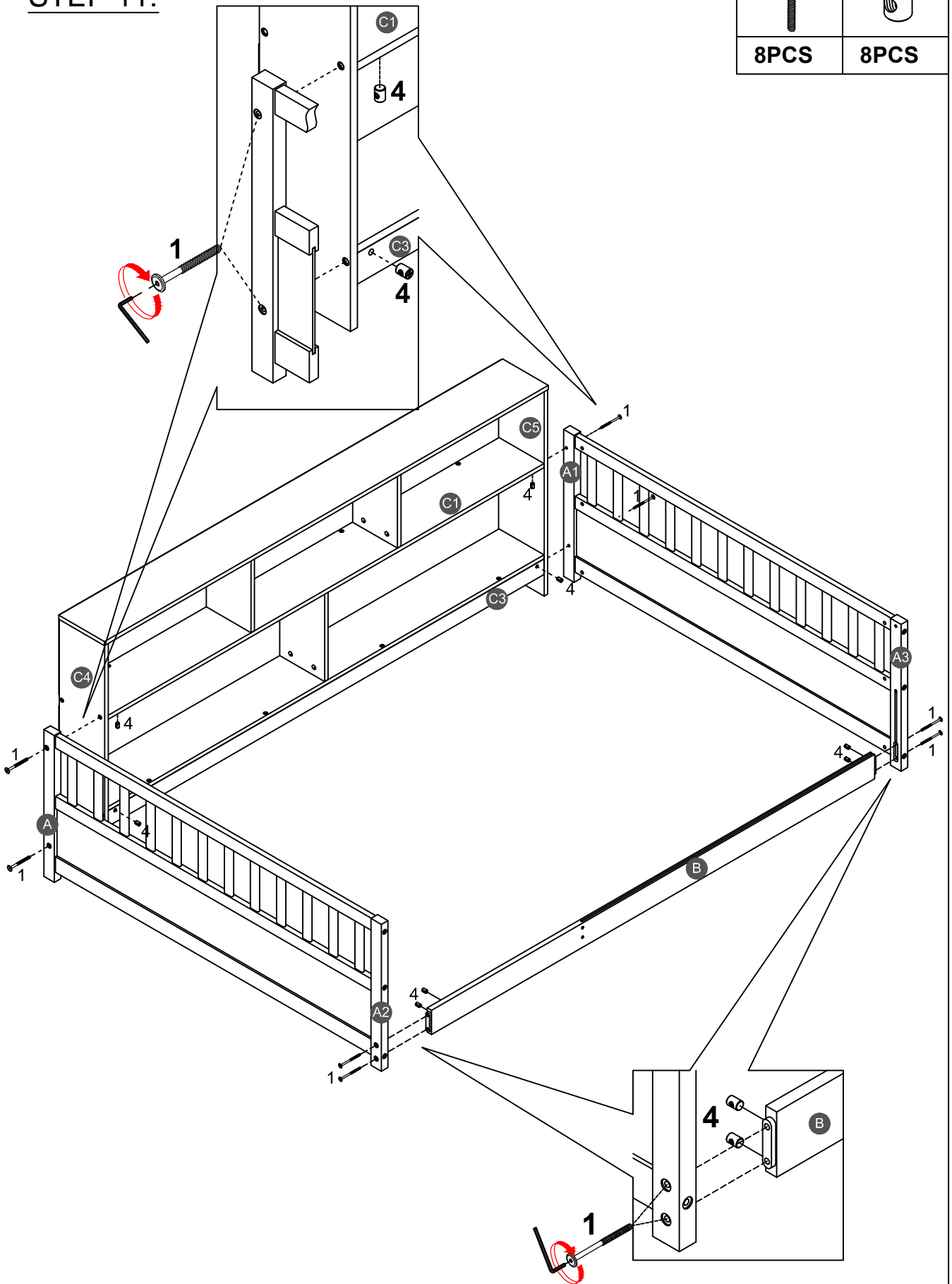
STEP 10:





1		4	
6PCS		6PCS	

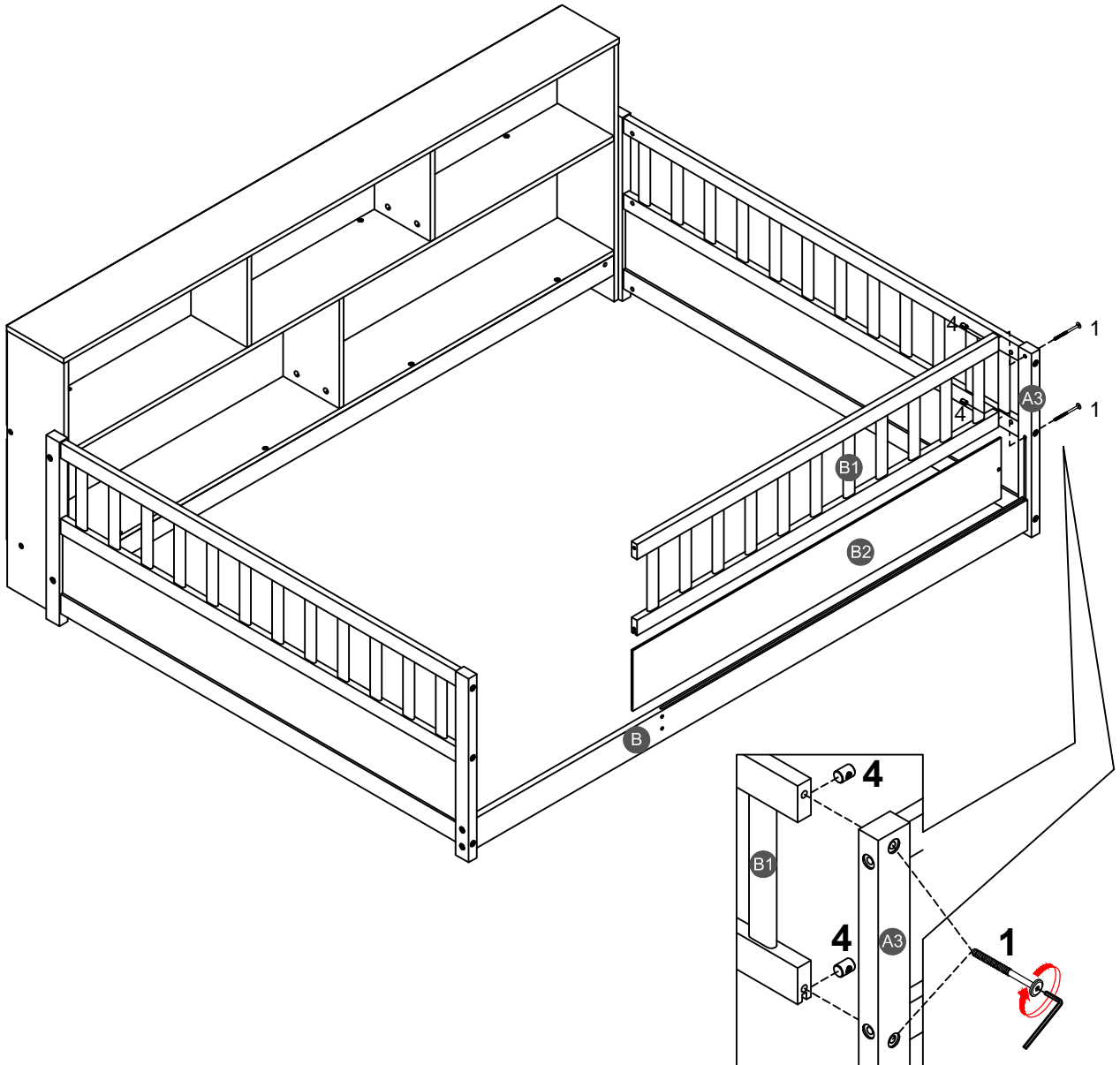
STEP 11:

1		4	
8PCS		8PCS	






STEP 12:

1		4	
2PCS		2PCS	



STEP 13:

1 	3 	4 
2PCS	2PCS	2PCS

