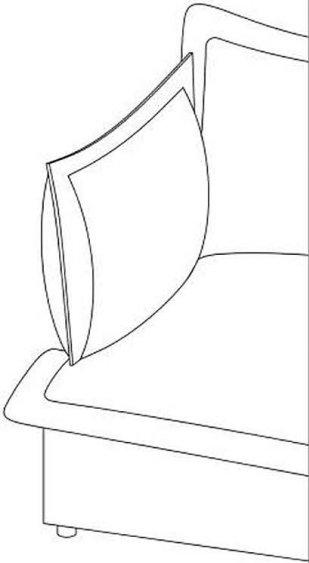


Owner Manual



WARRANTY

We strive to offer high quality product and we also try our best to satisfy each customer that order from us, no matter on products or services as needed. Each customer receives a record of their order, such as the order number or item receipt. For any items that are out of warranty period, you may still be able to purchase the replacement parts from our company if they are available.



MAINTENANCE AND WARNING

Please read the manual thoroughly
before you start installing.

Please keep the product away from
sharp object.

Packaging and small parts may have
chocking hazard, please keep them away
from children and pets.

Please clean the product according to each
clean code, check the product description
for more information.

Please keep the product away from
fire.

If you have any other questions, please
contact us, we will be glad to help you out.

If the product is placed under direct
sunlight, the pattern or color might fade
away overtime.

Check the product periodically to make
sure everything is secured and tightened.

Always use proper tools for installation.

Do not jump on the product.



Two people



Around 20 min

PRODUCT DESCRIPTION

Premium Chenille Fabric: Upholstered with luxurious chenille, this module offers a smooth, soft texture that enhances any living space's aesthetic.

Generous Armrest Padding: The armrests are filled with high-density foam, providing both comfort and support for extended lounging.

Wide Backrest Design: The backrest is filled with plush, supportive foam, offering superior lumbar support while you relax.

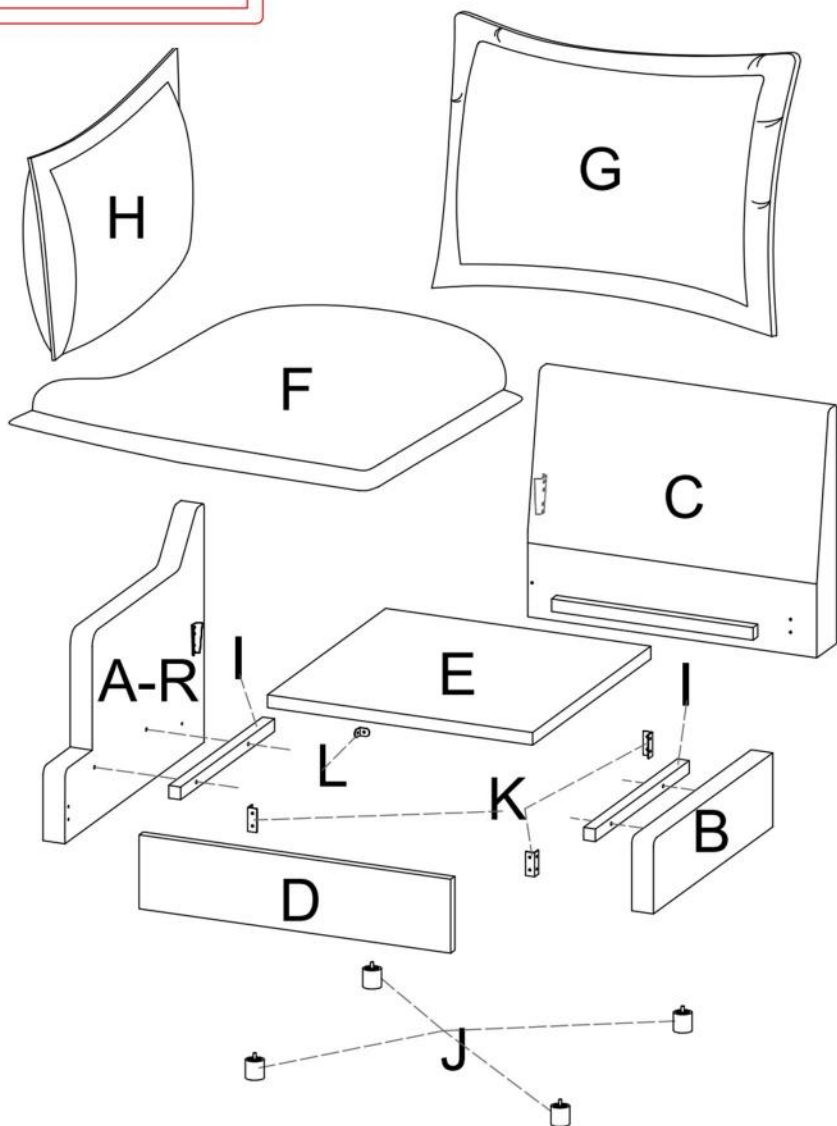
Sinuous Springs for Enhanced Comfort: Beneath the foam, sinuous springs improve elasticity and provide a resilient, responsive seating experience.

Customizable Modular Design: This module can be easily integrated with other pieces, allowing for a flexible and personalized sofa arrangement to fit your space.

EXPLODED VIEW

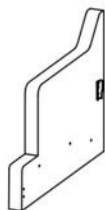


The product's left and right are determined by sitting posture



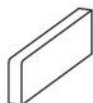
PARTS

A-R*1



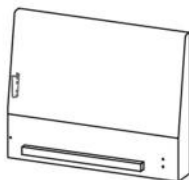
Right arm

B*1



Middle side rail

C*1



Backrest

D*1



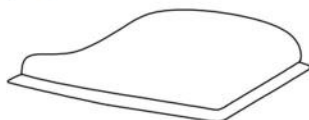
Front rail

E*1



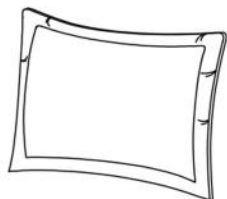
Seat frame

F*1



Seat cushion

G*1



Backrest cushion

H*1



Armrest cushion

J*4



Legs

I*2



Wooden batten

HARDWARE

TOOL LIST

NOTE: Designated with (★) We provide additional spare parts in the hardware package

J*4



Plastic legs

K*3



Large Angle Iron

L*1



Angle Iron

M*1



Hook

N*15



★ Bolt
M6*18mm

O*5



★ Bolt
M6*50mm

P*5



★ Flat washer

Q*1

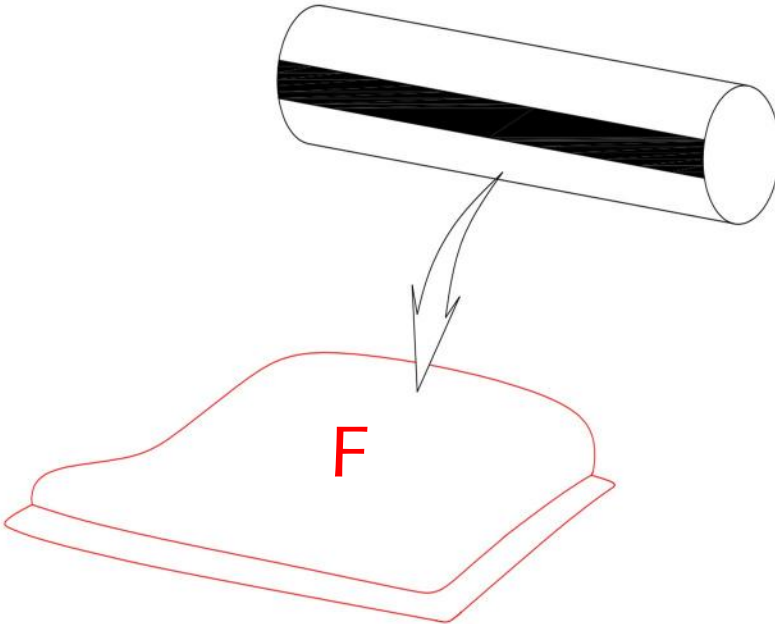
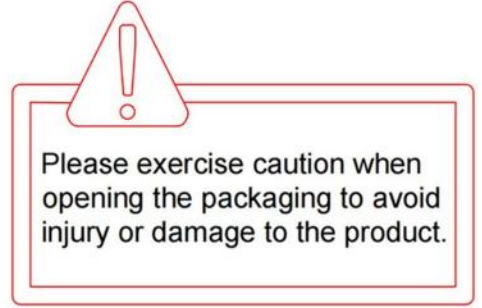


Allen key

Please make sure all hardware & packing material fitting the list. Especially some small accessories may be missing during transportation. Please contact us if you have any question.

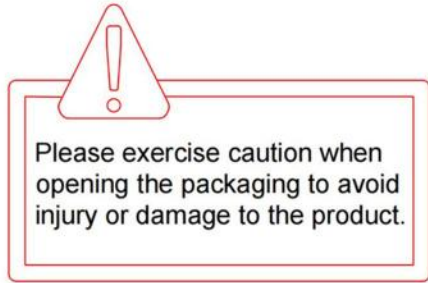
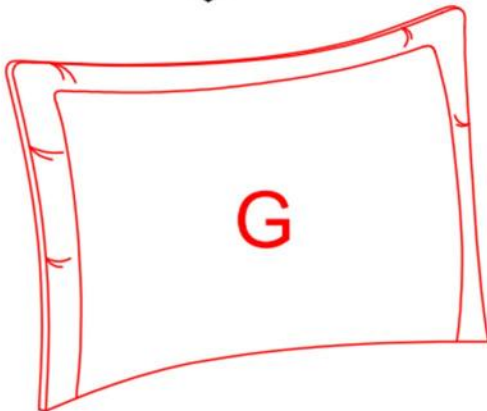
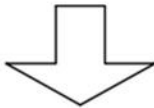
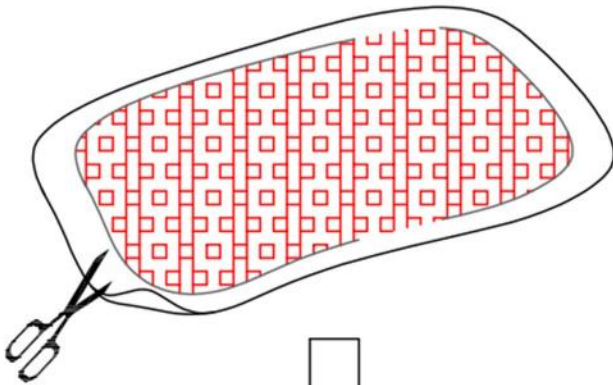
step 1

Cut open the compression bag along the paper strip on the roll bag. Remove the cushion and let them rest to recover their shape. Full recovery may take up to **72** hours, but you can gently slap the sofa to speed up the process.




step 2

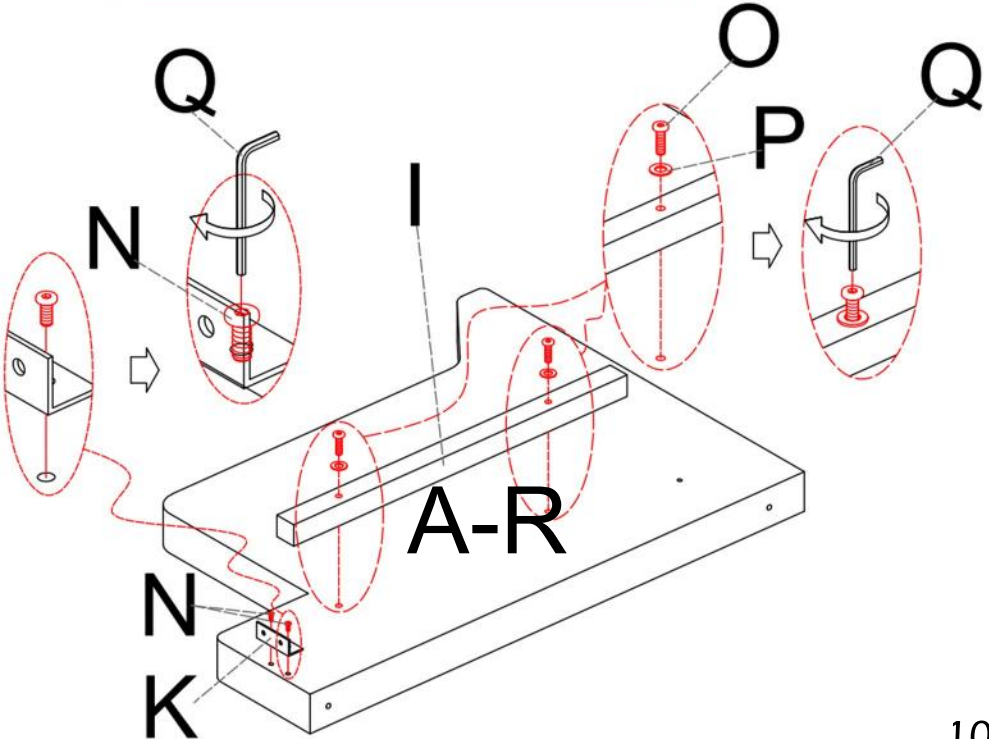
Cut the plastic air compression bags, and take out cushions (G). Place them on the side for recover to their original shape, the whole process might take up to **48** hours, you may gently slap on them to speed up the process.



step 3

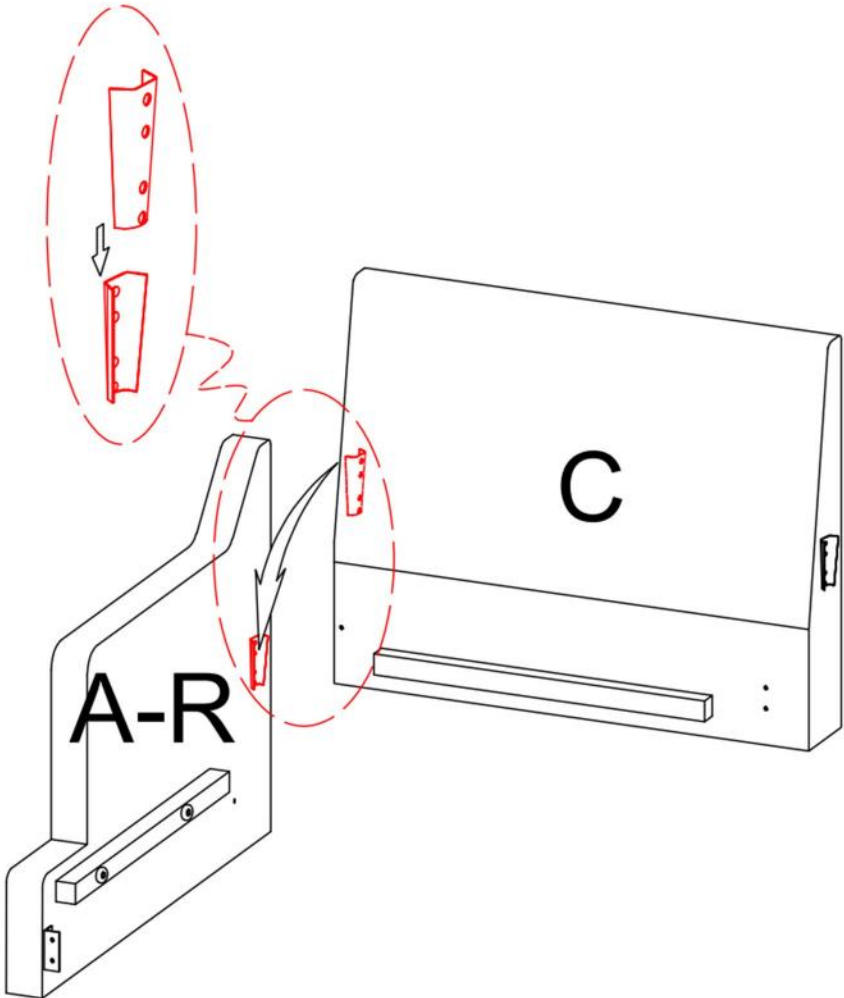
Install the wooden baffle (I) to the designated position on the armrest (A-R) as shown, use the allen wrench provided to tighten the bolts and washers. Then install the L-shaped iron (K) to the edge of the armrest (A-R) using the allen wrench and bolts.


First add one flat washer on each bolt as shown, use the allen wrench provided to tighten all the bolts by 30-50% first, make sure that all bolts are aligned correctly before fully tightening.



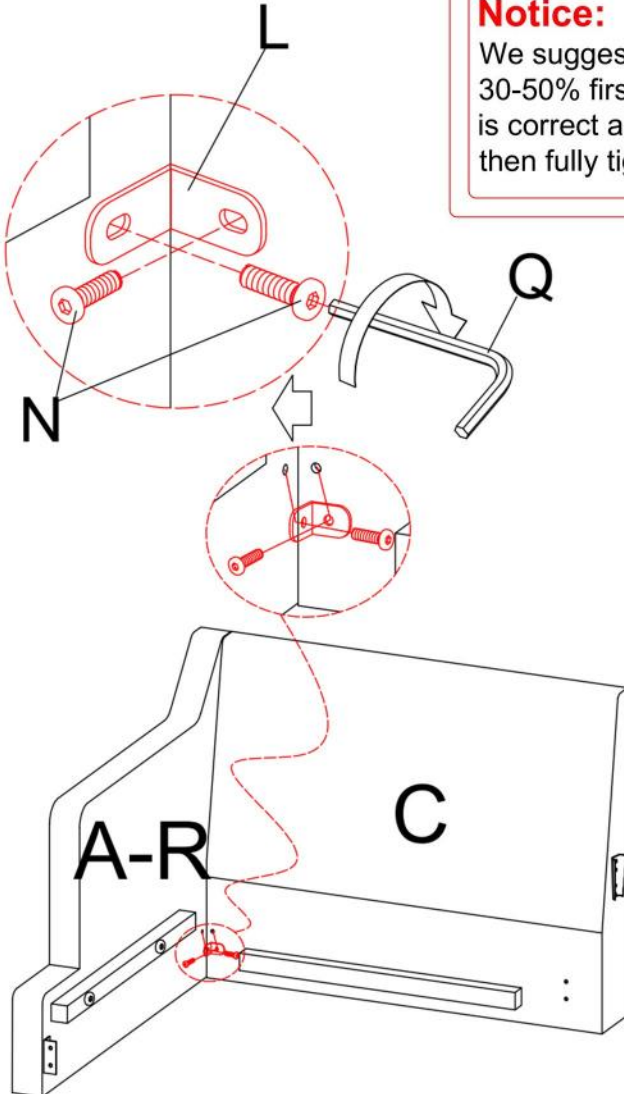
step 4

Place the armrest (A-R) at the shown position, then insert the connector on the backrest (C) into the slot on the armrest. Make sure the connector is correctly aligned before pushing down.



step 5

Install the L-shaped iron (L) at the corner of the backrest and armrest as shown, use the allen wrench provided to tighten the bolts.




Notice:

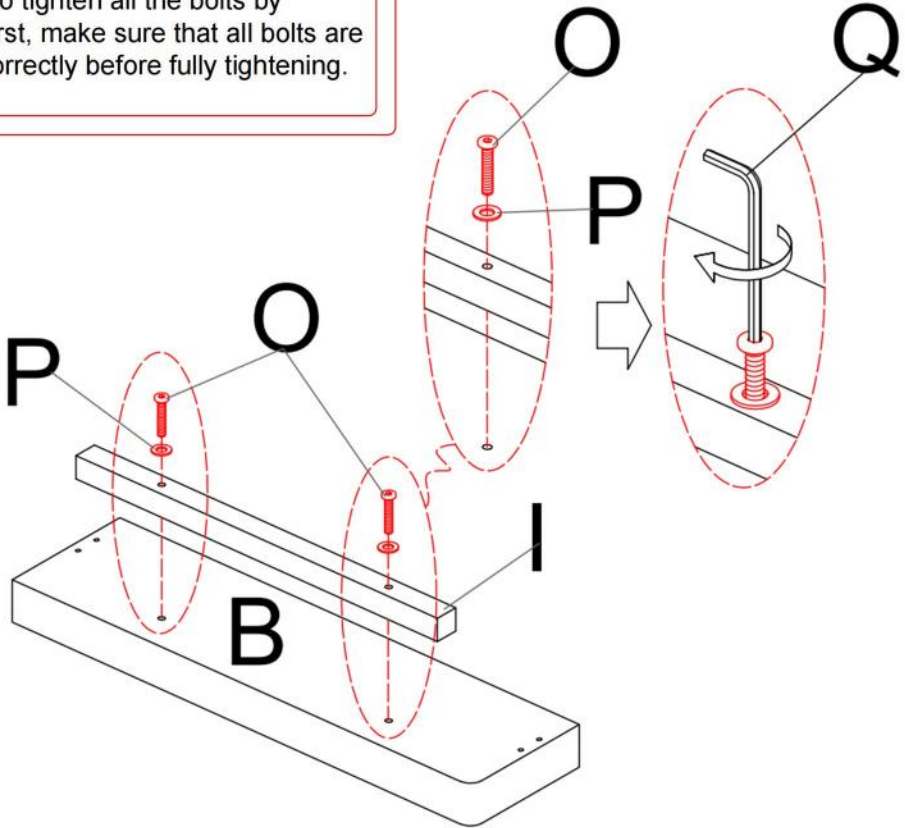
We suggest tightening the bolts for 30-50% first, make sure the process is correct and bolt holes are aligned, then fully tightening them all.

step 6

Place the wooden baffle (I) on the side panel (B) as shown, use the allen wrench provided to tighten all the bolts and washers.



First add one flat washer on each bolt as shown, use the allen wrench provided to tighten all the bolts by 30-50% first, make sure that all bolts are aligned correctly before fully tightening.



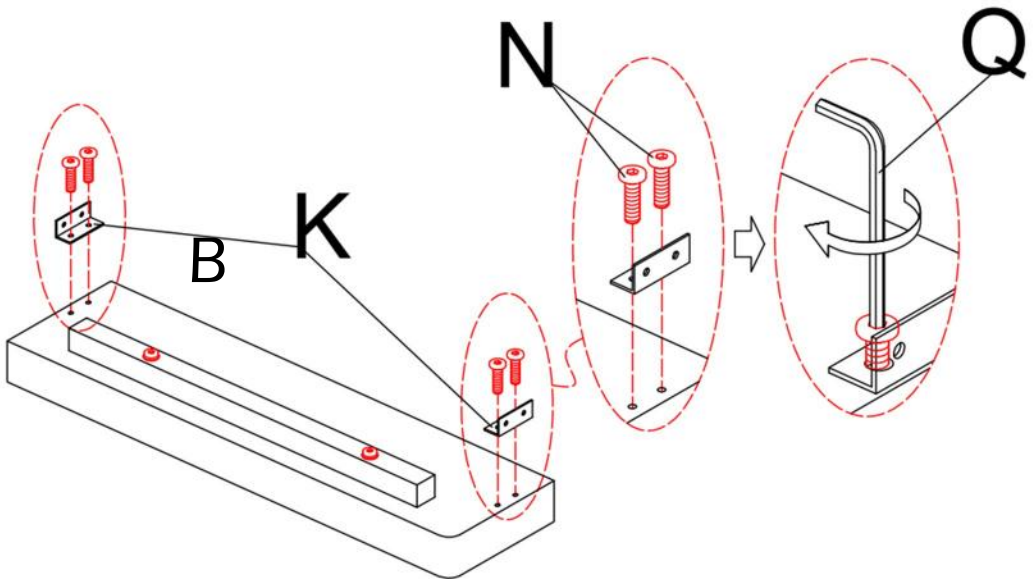
step 7

Install the L-shaped iron (K) to both ends of the side panel (B) as shown, use the allen wrench to tighten all the bolts.



Notice:

We suggest tightening the bolts for 30-50% first, make sure the process is correct and bolt holes are aligned, then fully tightening them all.



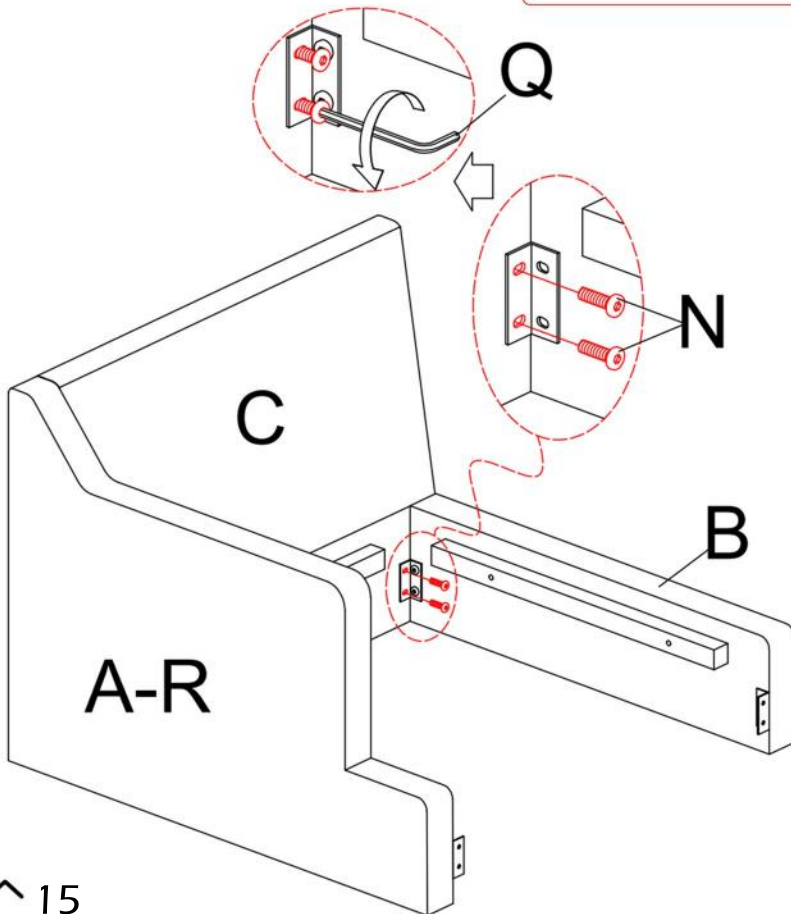
step 8

Install the side panel (B) to the sofa frame (C) as shown, tighten the bolts with the allen wrench provided.



Notice:

We suggest tightening the bolts for 30-50% first, make sure the process is correct and bolt holes are aligned, then fully tightening them all.



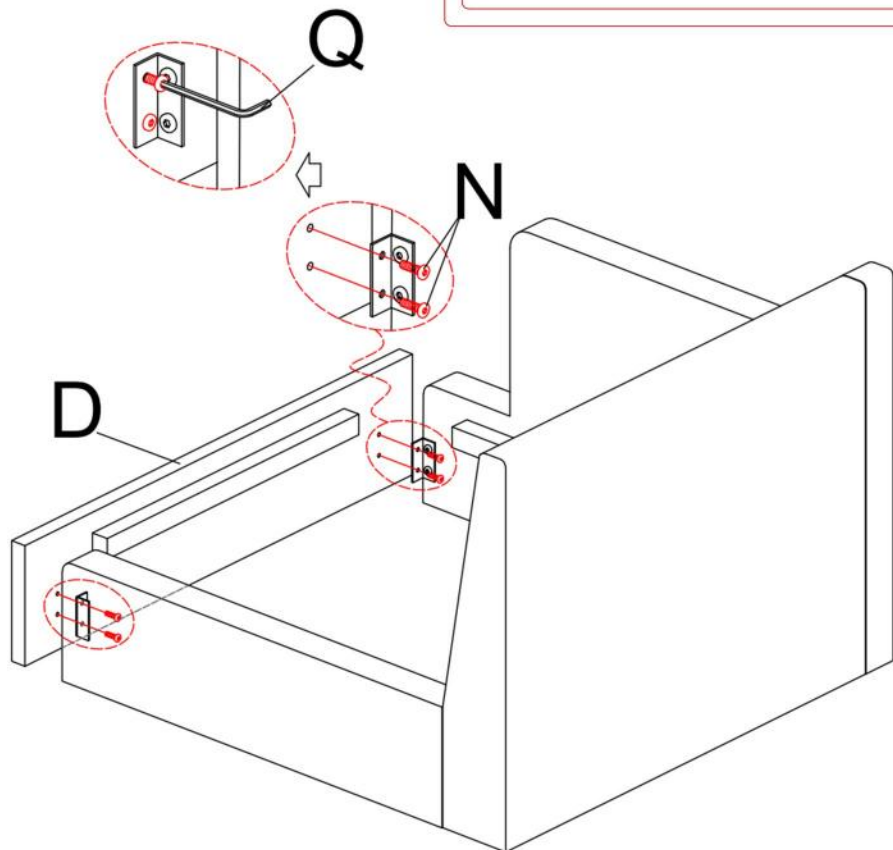
step 9

Use the allen wrench to tighten the bolts on the L-shaped iron to fix the front panel with the sofa frame as shown.



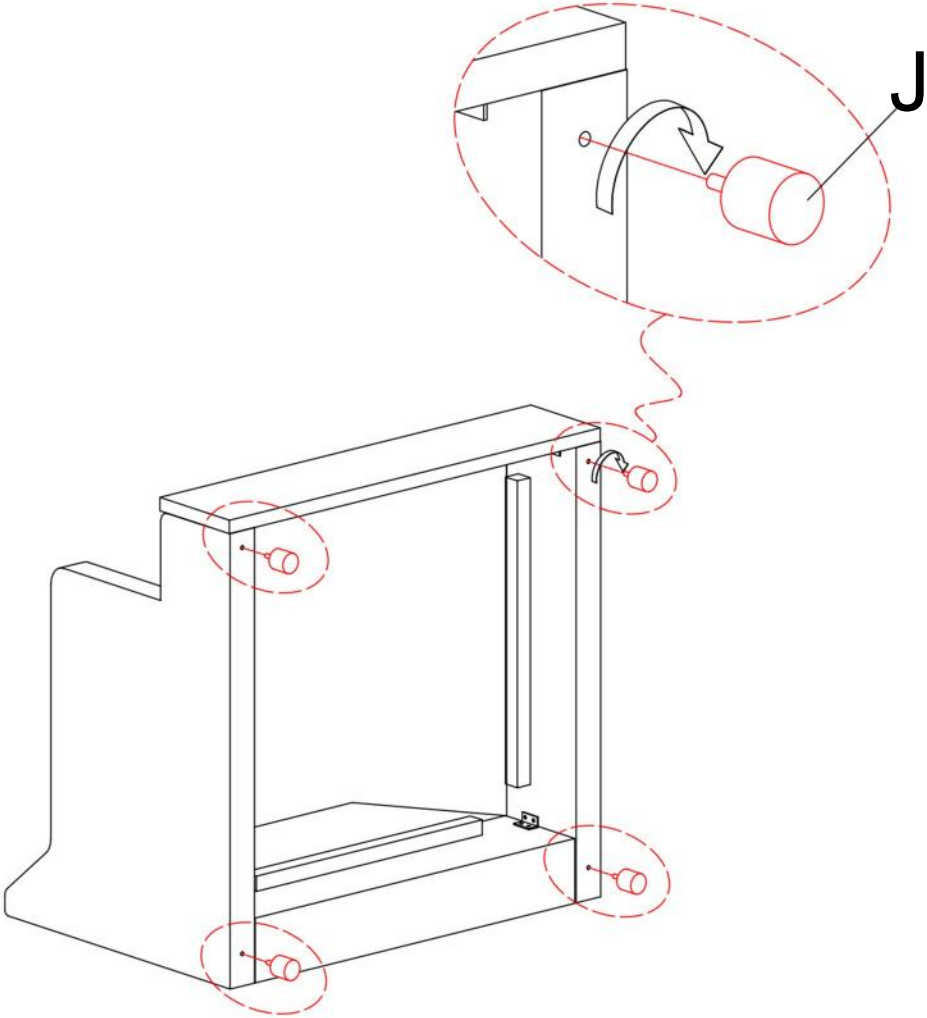
Notice:

We suggest tightening the bolts for 30-50% first, make sure the process is correct and bolt holes are aligned, then fully tightening them all.



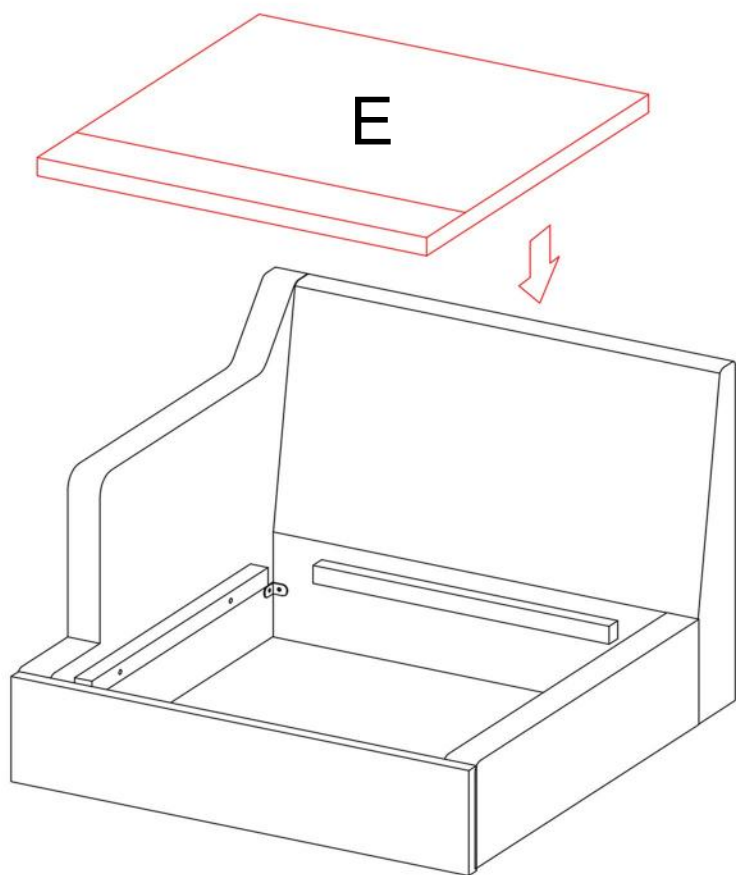
step 10

Flip over the sofa frame on its side, then twist the legs (J) clockwise into each corner of the sofa frame.



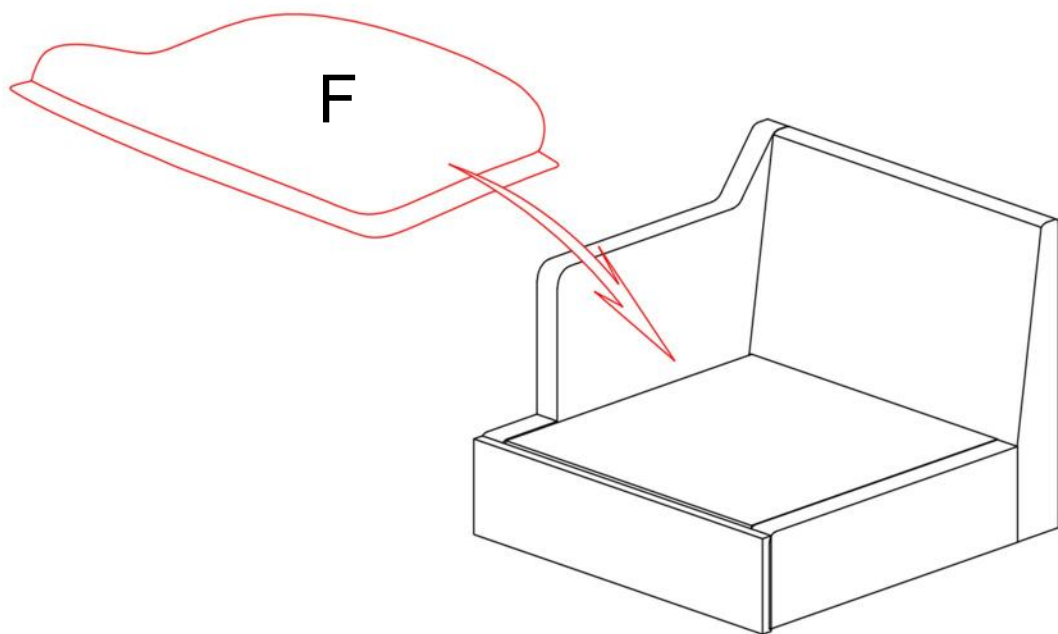
step 11

Place the seat frame (E) at the shown position.



step 12

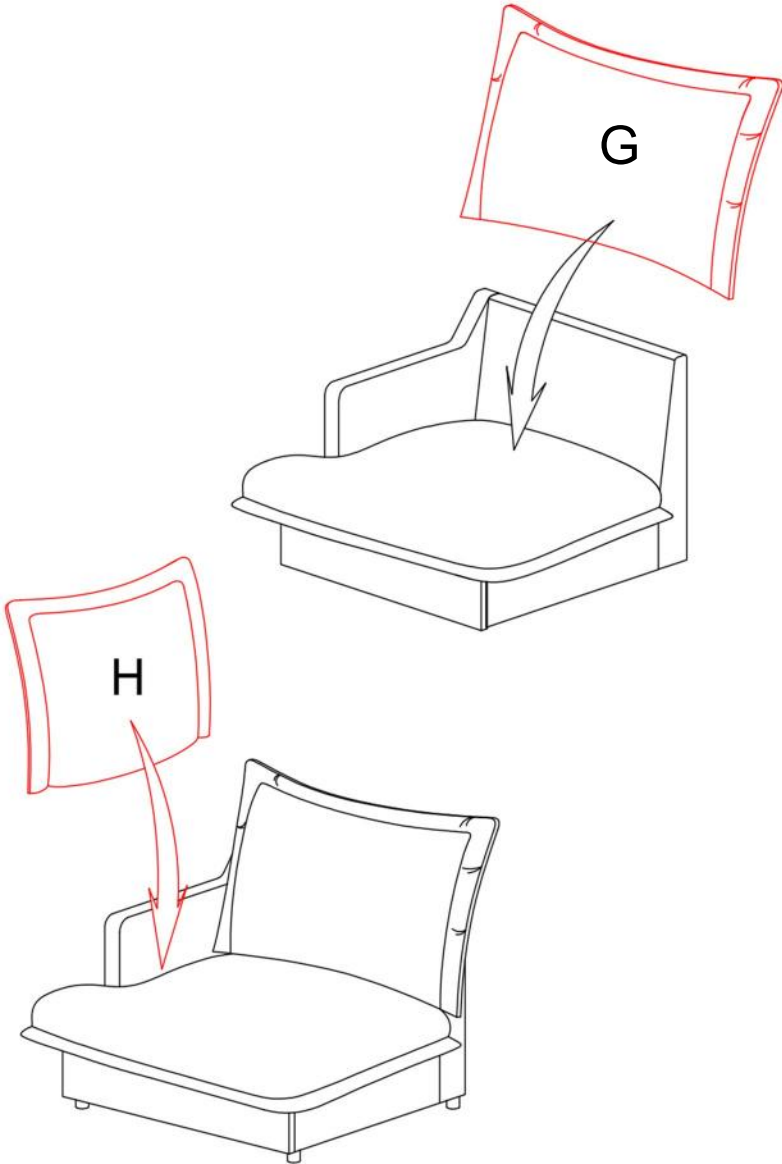
Place the seat cushion (F) on the sofa as shown.



step 13

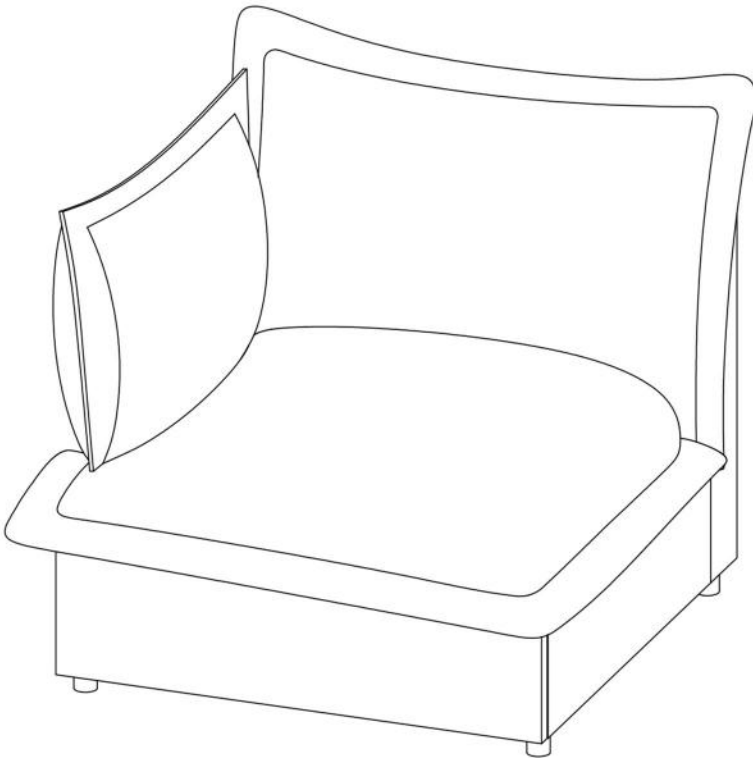
Place the back cushion (G) on the sofa as shown.

Place the armrest cushion (H) on the sofa as shown.



step 14

Congradulations! You have finished the assembly, thank you again for choosing our product! Please enjoy!



step 15

There is one metal connector inside each package the metal connector is used to connect sectional sofas together, if you are only using one piece of the sectionals, the connectors will not be used during the assembly. if you want to connect sectionals together, please use the connectors before the headrest is inserted.

place the sectionals upside down on a clean surface, and bring both of the parts as close as possible, make sure both of the parts are aligned, then fix the connector at 40 cm (about 16 inches) away from the front and back edges, then tighten the connector.

