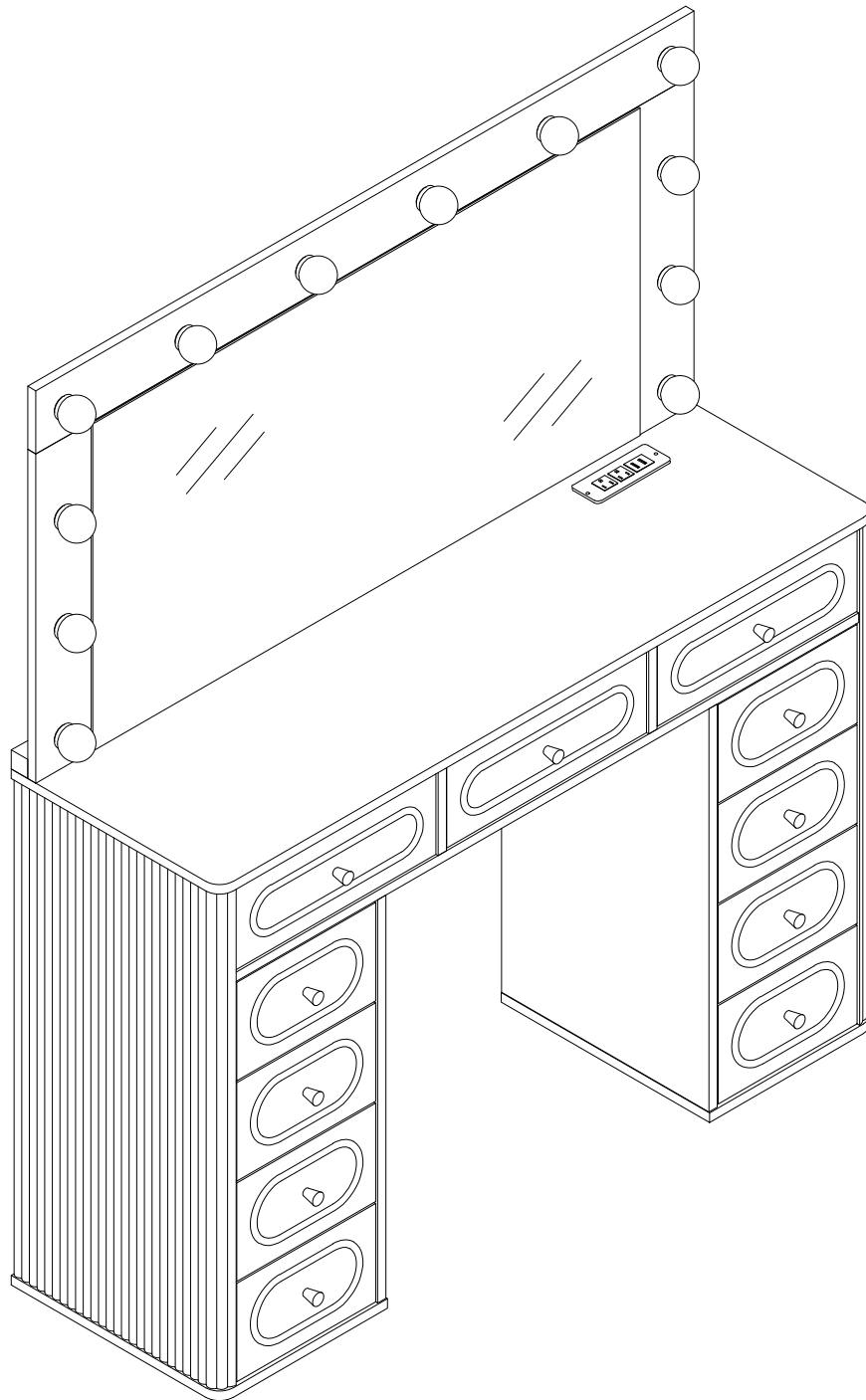


Assembly Instructions

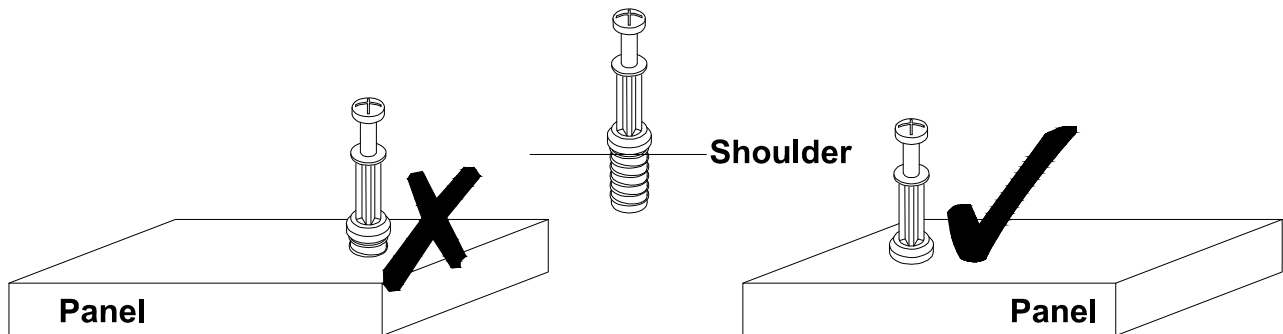


Before Assembly

Tips Before Your Start:

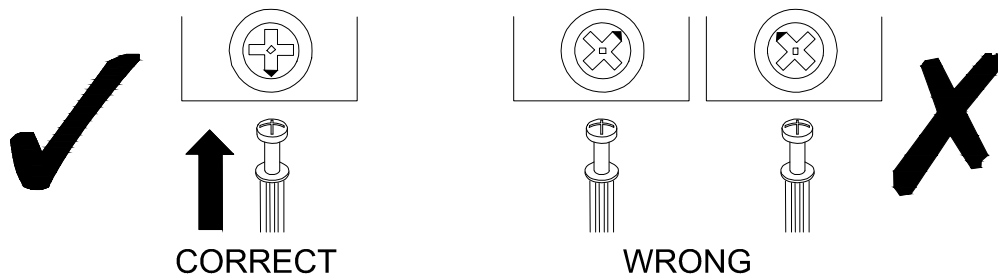
- Remove all wrapping material, including staples & packing straps before you start to assemble.
- DO NOT tighten all screws and bolts until the assembly is completely assembled.
- Keep all hardware parts out of reach of children.

QUICKFIT



Tighten quickfit until shoulder is flush with panel. Do not overtighten or undertighten.

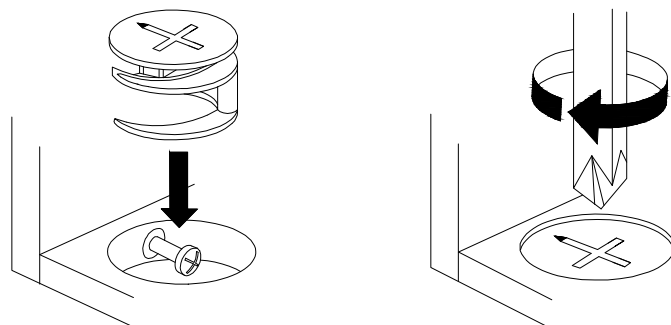
CAM LOCK



When fitting a cam lock, ensure the starting position is correct before inserting the connecting QUI CKFIT

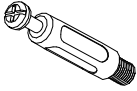


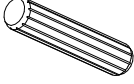
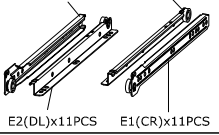
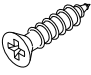
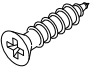
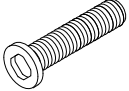


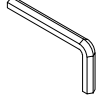

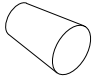
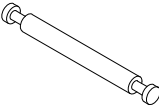
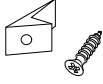
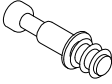

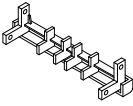
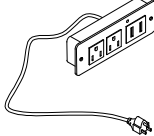

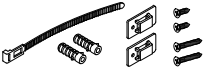
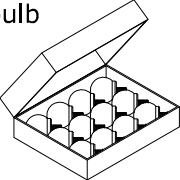
Quickfit head should be in the centre of the cam lock when the two panels are joined.

Cam lock should be inserted before quickfit.

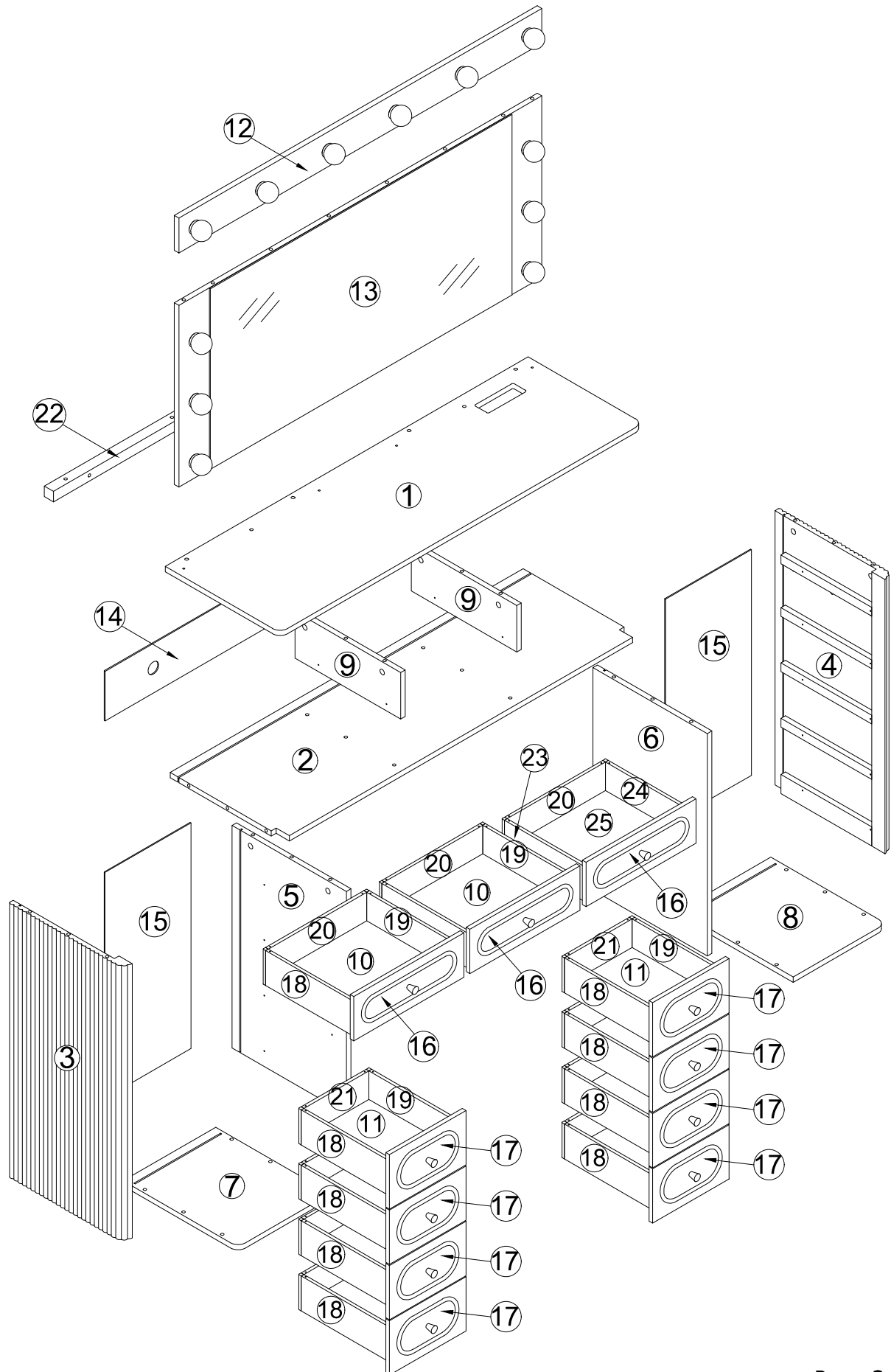


Turn cam lock clockwise to tighten.

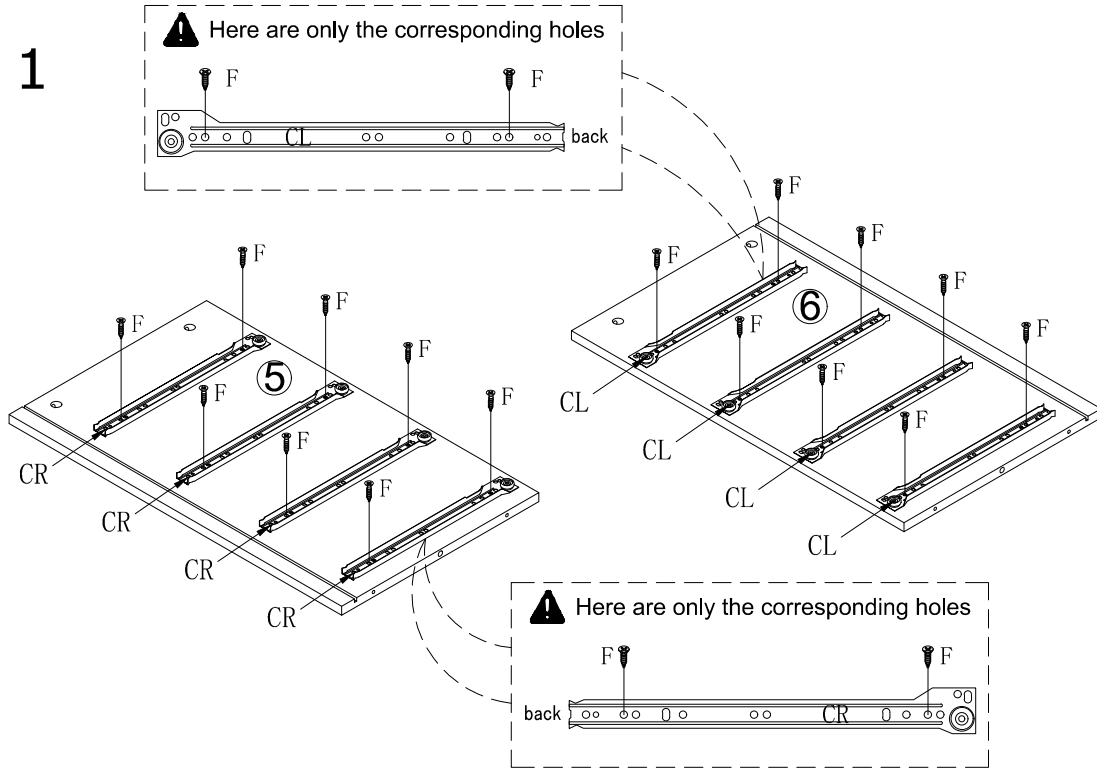
Part List

| | | | |
|---|---|---|--|
| <p>No. A Quantity: 20 Pcs Cam Lock Dowel 8*28mm</p>  | <p>No. B Quantity: 28 Pcs Cam Ø15</p>  | <p>No. C Quantity: 28 Pcs Sticker Ø20</p>  | <p>No. D Quantity: 20 Pcs Dowel 8*30mm</p>  |
| <p>No. E Quantity: 11 Sets Drawer Slider 12"</p> <p>E1(CL)x11PCS E2(DR)x11PCS</p>  <p>E2(DL)x11PCS E1(CR)x11PCS</p> | <p>No. F Quantity: 92 Pcs Screw M3.5*14mm</p>  | <p>No. G Quantity: 88 Pcs Screw M3*12mm</p>  | <p>No. H Quantity: 8 Pcs Screw M6*40mm</p>  |
| <p>No. I Quantity: 8 Pcs Foot Pad Ø20</p>  | <p>No. J Quantity: 12 Pcs Screw M6*40mm</p>  | <p>No. K Quantity: 1 Pcs Allen Key 4#</p>  | <p>No. L Quantity: 11 Pcs Screw M4*16mm</p>  |
| <p>No. M Quantity: 11 Pcs Handle</p>  | <p>No. N Quantity: 4 Pcs Double-ended rod 6*64mm</p>  | <p>No. O Quantity: 12 Sets Plastic Wedge</p>  | <p>No. P Quantity: 44 Pcs Cam Lock Dowel 8*25mm</p>  |
| <p>No. Q Quantity: 44 Pcs Rubber particles Ø6*12mm</p>  | <p>No. R Quantity: 22 Pcs Drawer Connector</p>  | <p>No. S Quantity: 1 Pcs Plug</p>  | <p>No. T Quantity: 1 Pcs Blower stand</p>  |
| <p>No. U Quantity: 2 Sets Anti-falling Parts</p>  | <p>No. V Quantity: 1 Sets Light bulb</p>  | | |

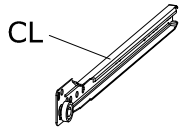
Product structure



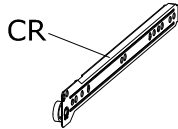
STEP 1



No. E1(CL)
Quantity: 4 Pcs



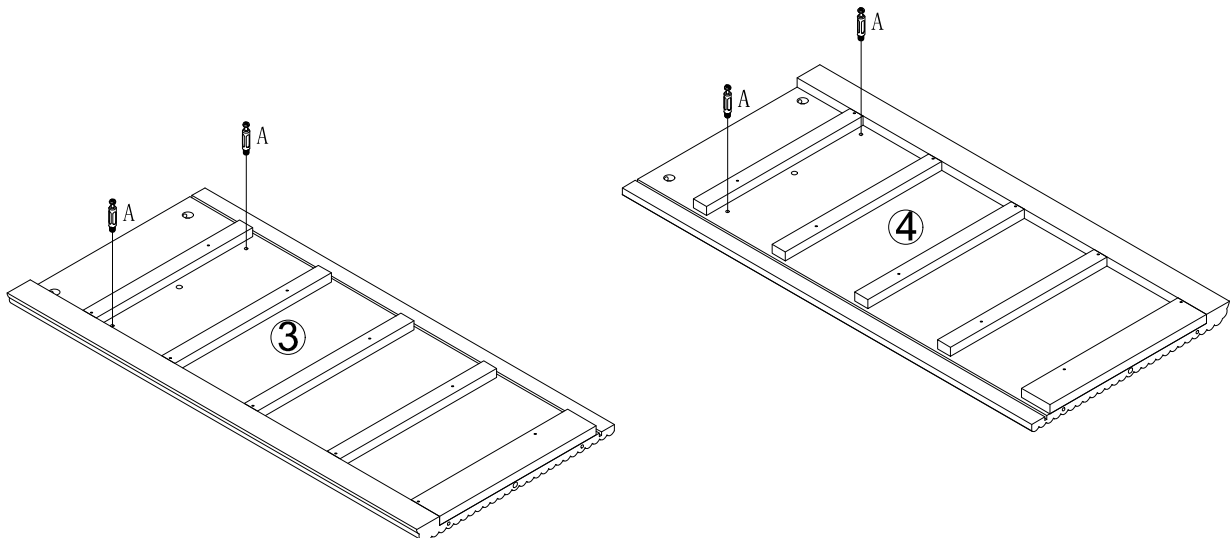
No. E1(CR)
Quantity: 4 Pcs



No. F
Quantity: 16 Pcs
M3.5*14mm



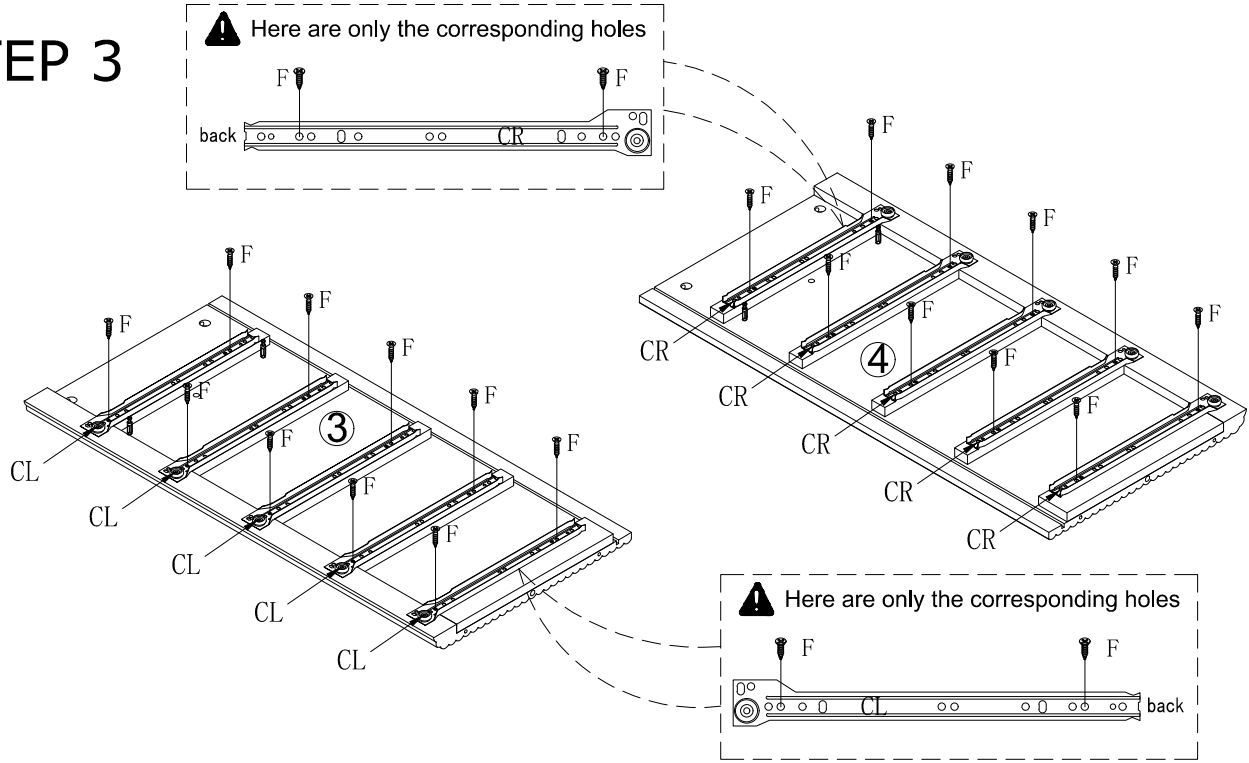
STEP 2



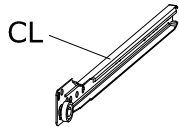
No. A
Quantity: 4 Pcs
8*28mm



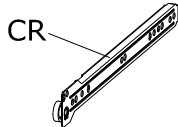
STEP 3



No. E1(CL)
Quantity: 5 Pcs



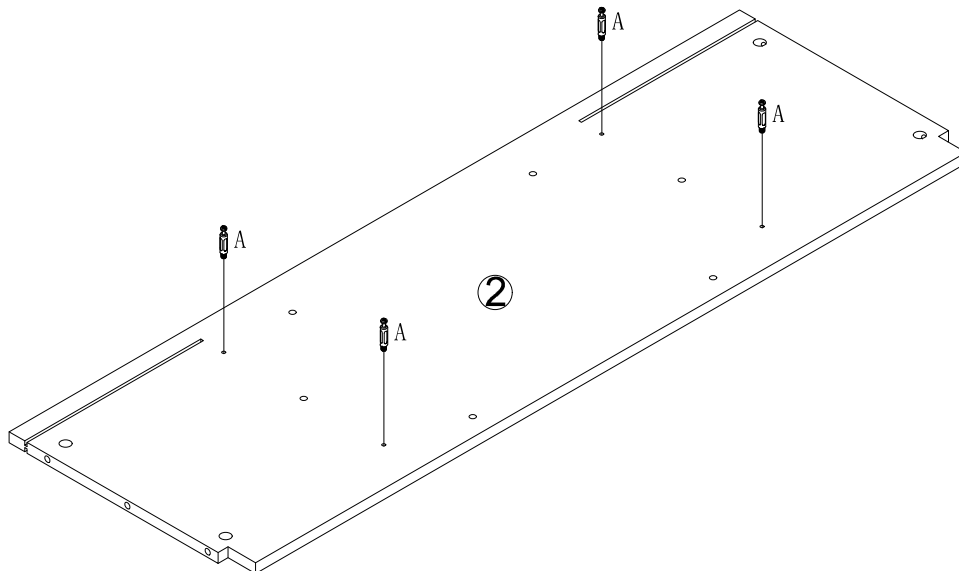
No. E1(CR)
Quantity: 5 Pcs



No. F
Quantity: 20 Pcs
M3.5*14mm



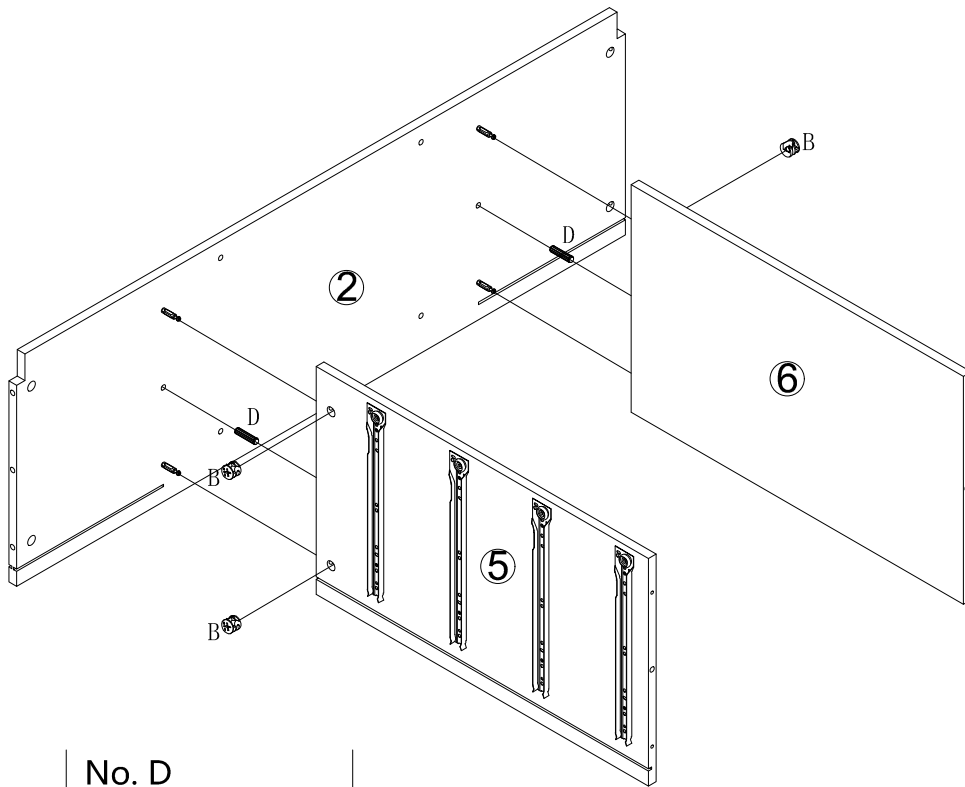
STEP 4



No. A
Quantity: 4 Pcs
8*28mm



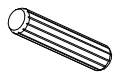
STEP 5



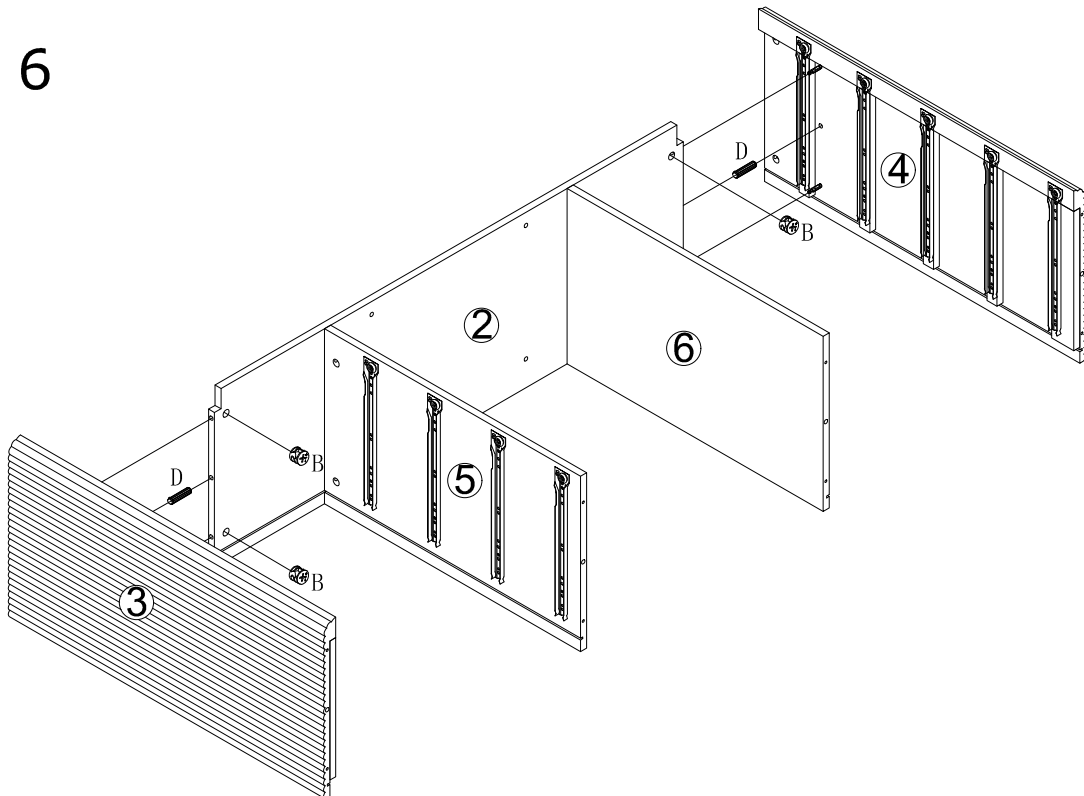
No. B
Quantity: 4 Pcs
Ø15



No. D
Quantity: 2 Pcs
8*30mm



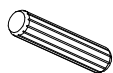
STEP 6



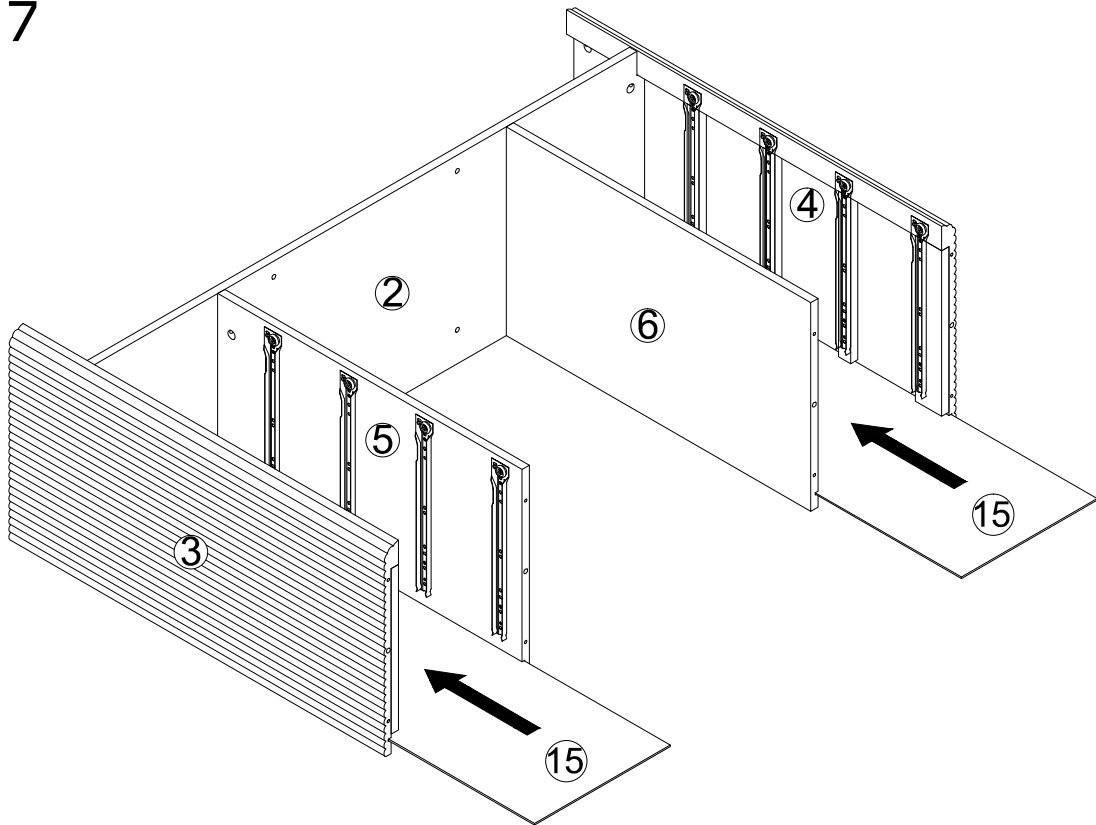
No. B
Quantity: 4 Pcs
Ø15



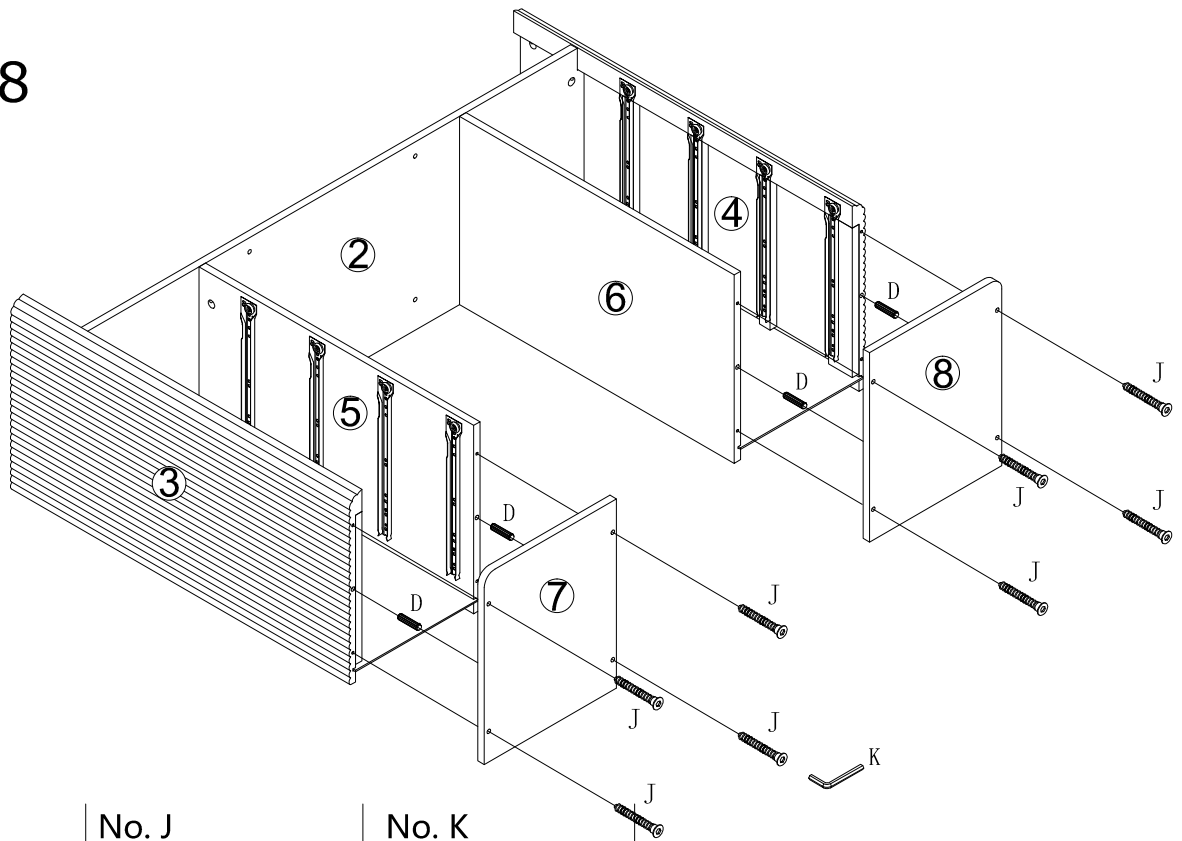
No. D
Quantity: 2 Pcs
8*30mm



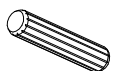
STEP 7



STEP 8



No. D
Quantity: 4 Pcs
8*30mm



No. J
Quantity: 8 Pcs
M6*40mm

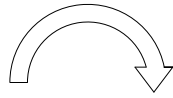


No. K
Quantity: 1 Pcs
4#

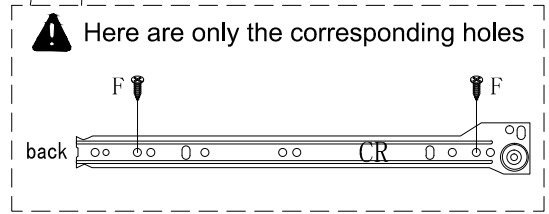
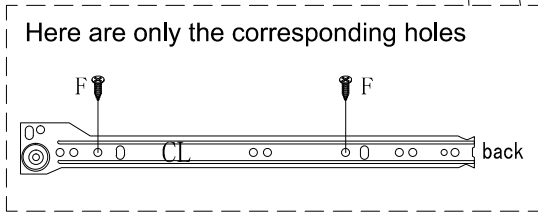
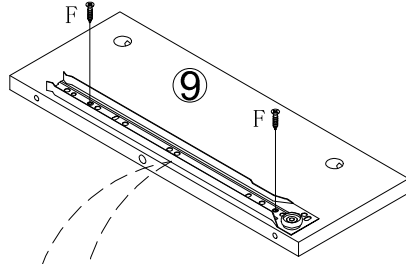
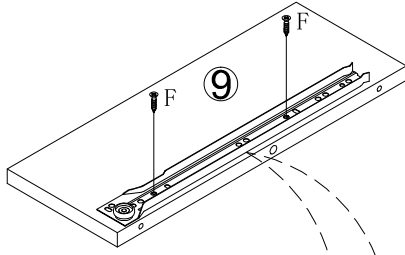


STEP 9

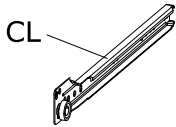
Quantity two pieces



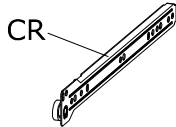
Flip to the
other side.



No. E1(CL)
Quantity: 2 Pcs



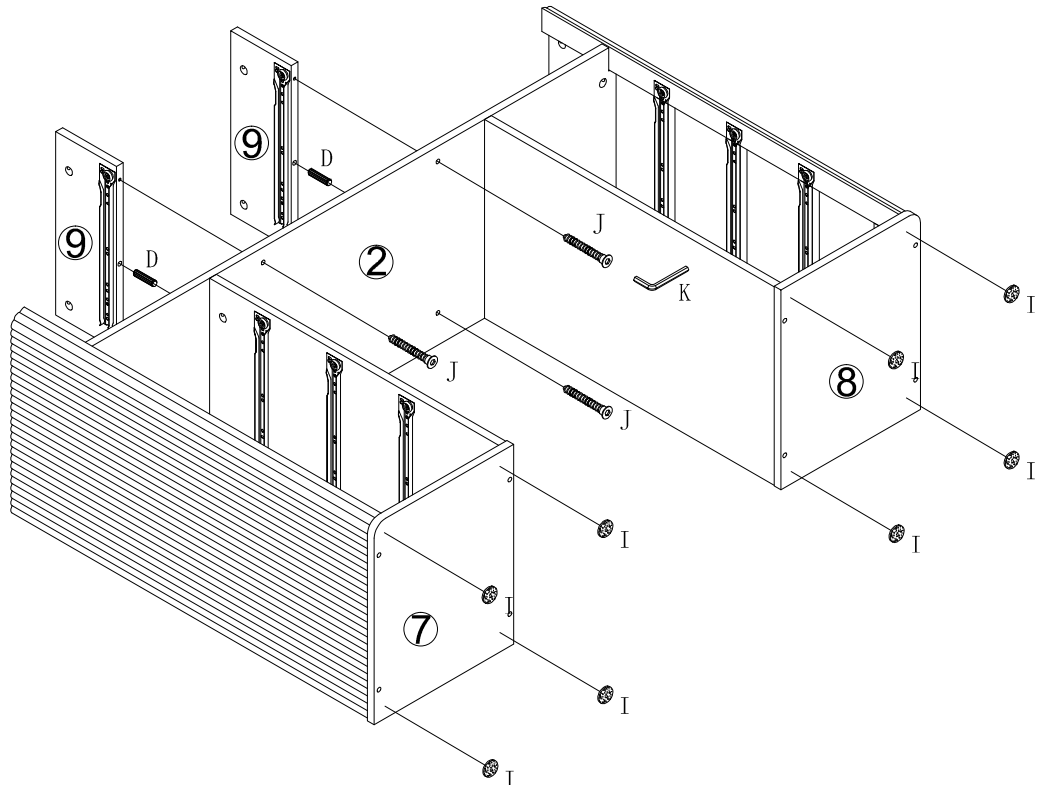
No. E1(CR)
Quantity: 2 Pcs



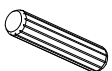
No. F
Quantity: 8 Pcs
M3.5*14mm



STEP 10



No. D
Quantity: 2 Pcs
8*30mm



No. I
Quantity: 8 Pcs
Ø20



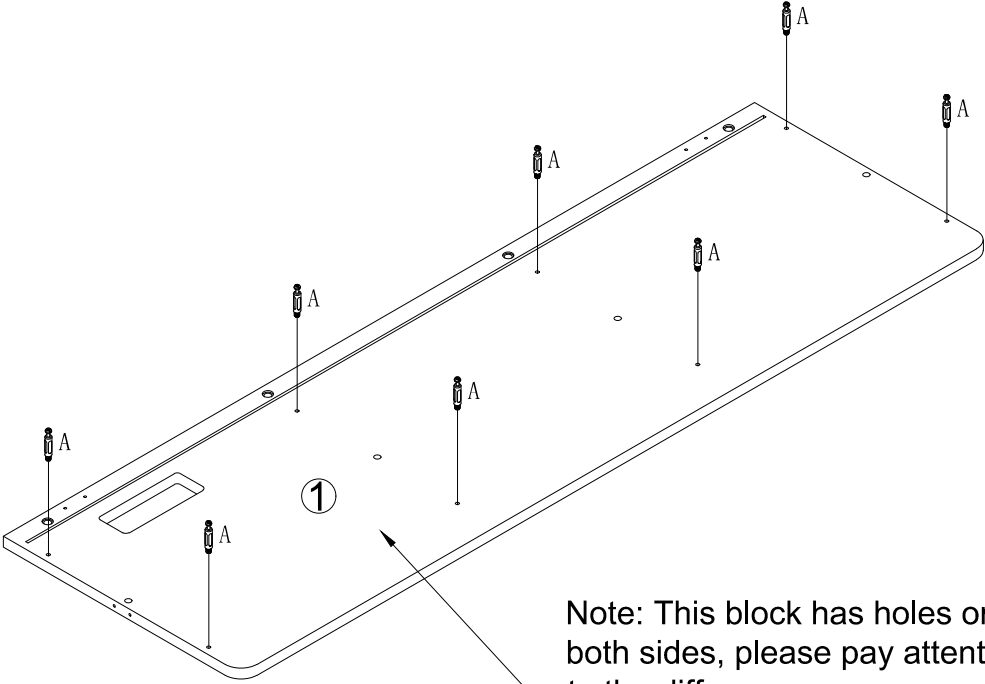
No. J
Quantity: 4 Pcs
M6*40mm



No. K
Quantity: 1 Pcs
4#



STEP 11

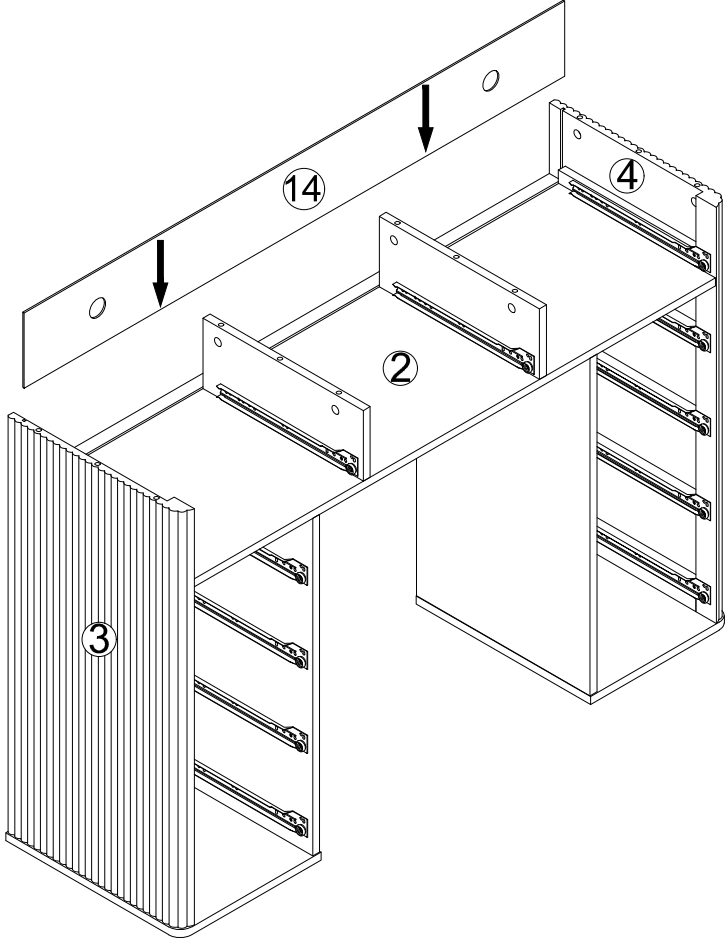


Note: This block has holes on both sides, please pay attention to the difference.

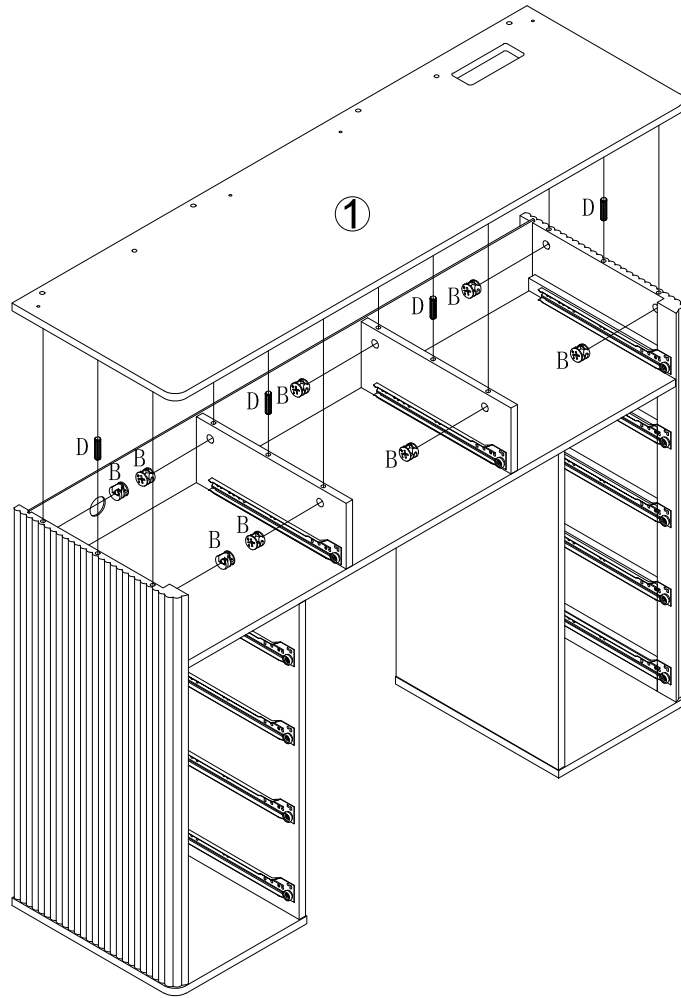
No. A
Quantity: 8 Pcs
8*28mm



STEP 12



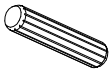
STEP 13



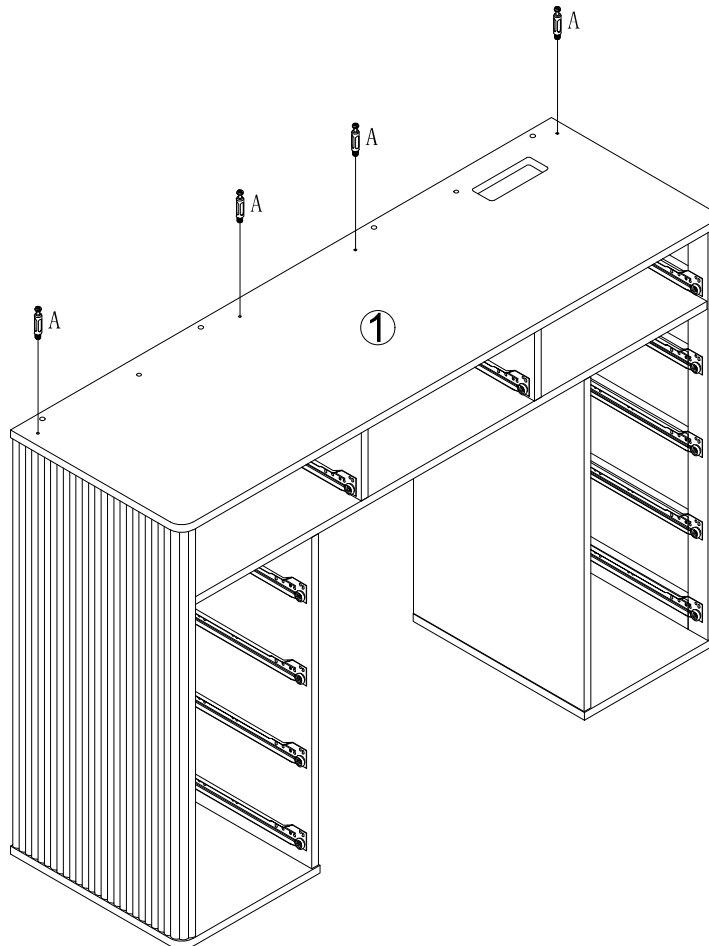
No. B
Quantity: 8 Pcs
Ø15



No. D
Quantity: 4 Pcs
8*30mm



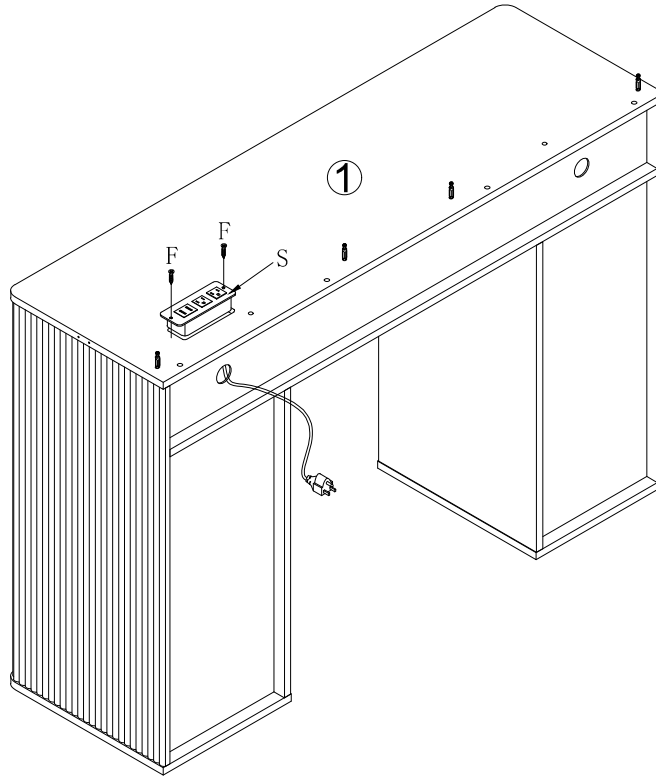
STEP 14



No. A
Quantity: 4 Pcs
8*28mm



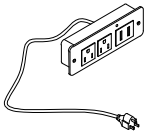
STEP 15



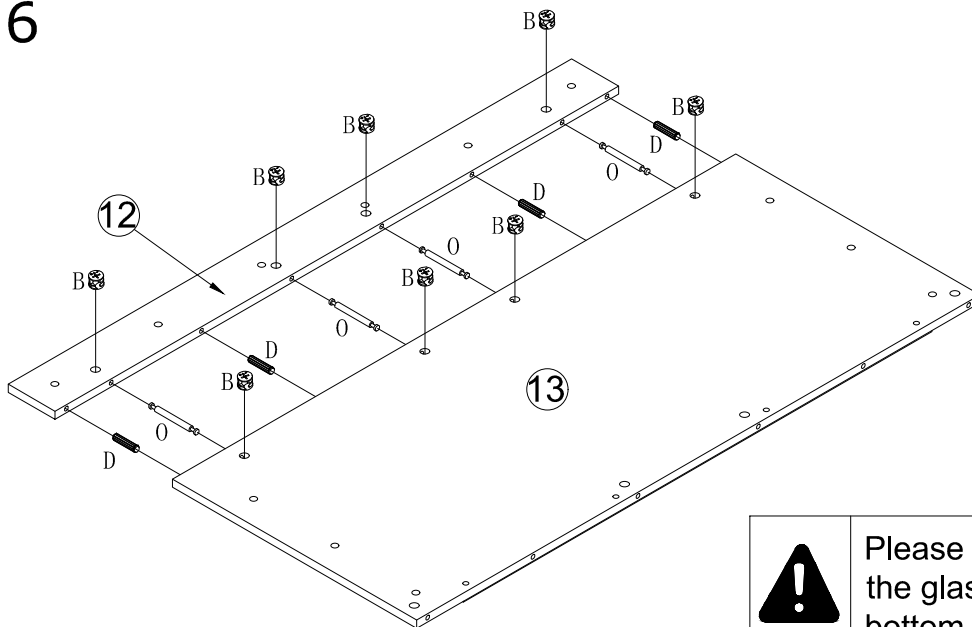
No. F
Quantity: 2 Pcs
M3.5*14mm



No. S
Quantity: 1 Pcs



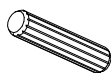
STEP 16



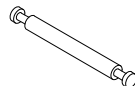
No. B
Quantity: 8 Pcs
Ø15



No. D
Quantity: 4 Pcs
8*30mm



No. N
Quantity: 4 Pcs
6*64mm



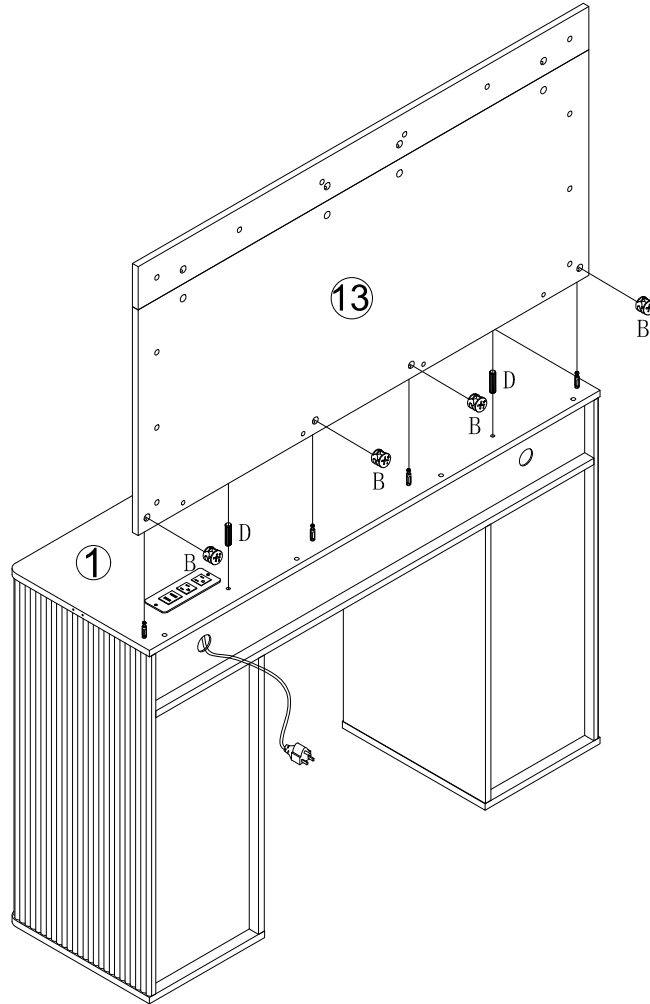
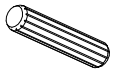
Please note that the glass is on the bottom, be careful not to scratch or break it, handle with care!

STEP 17

No. B
Quantity: 4 Pcs
Ø15

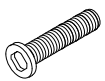


No. D
Quantity: 2 Pcs
8*30mm

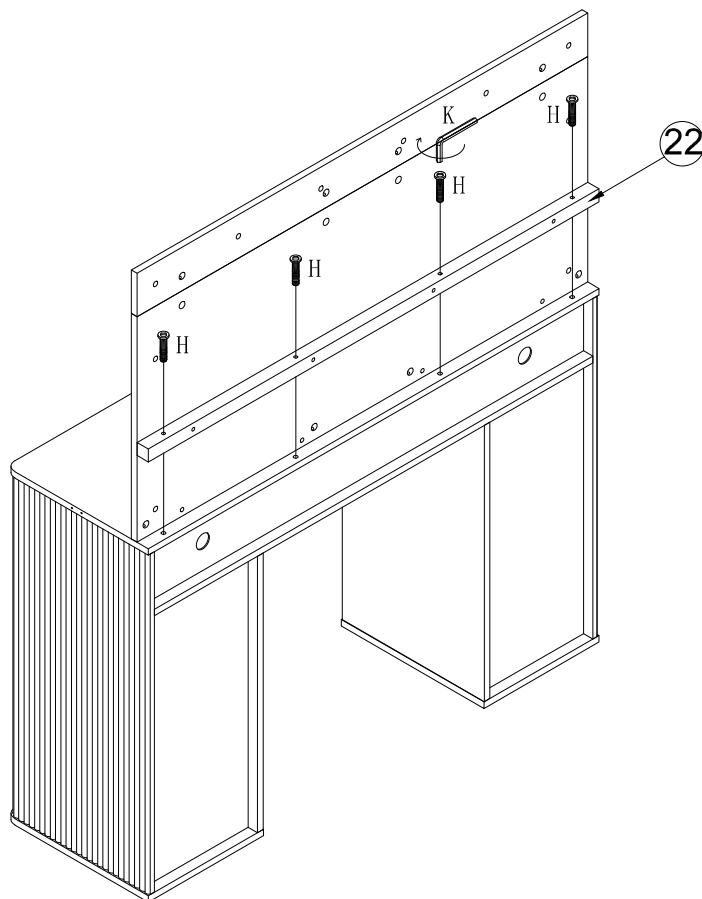


STEP 18

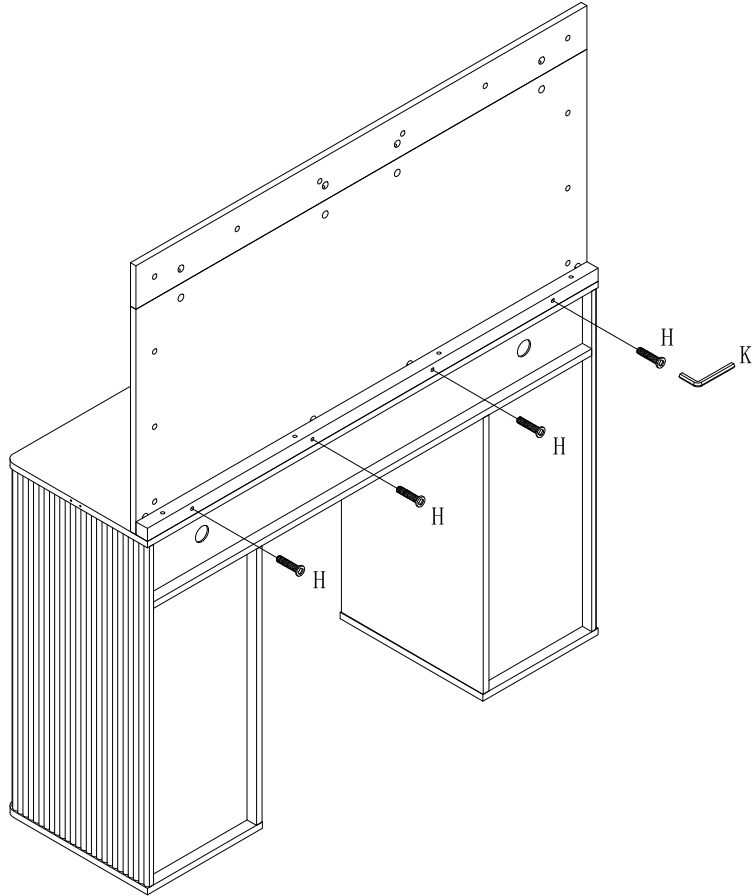
No. H
Quantity: 4 Pcs
M6*40mm



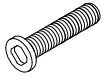
No. K
Quantity: 1 Pcs
4#



STEP 19



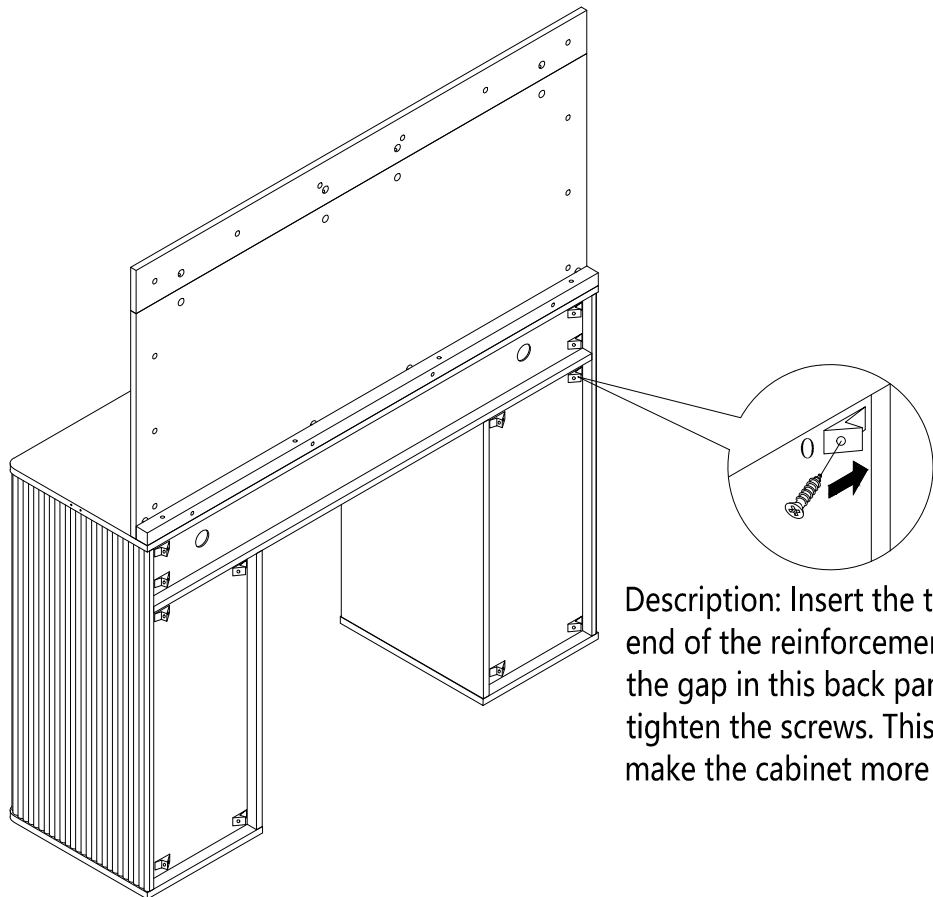
No. H
Quantity: 4 Pcs
M6*40mm



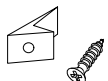
No. K
Quantity: 1 Pcs
4#



STEP 20

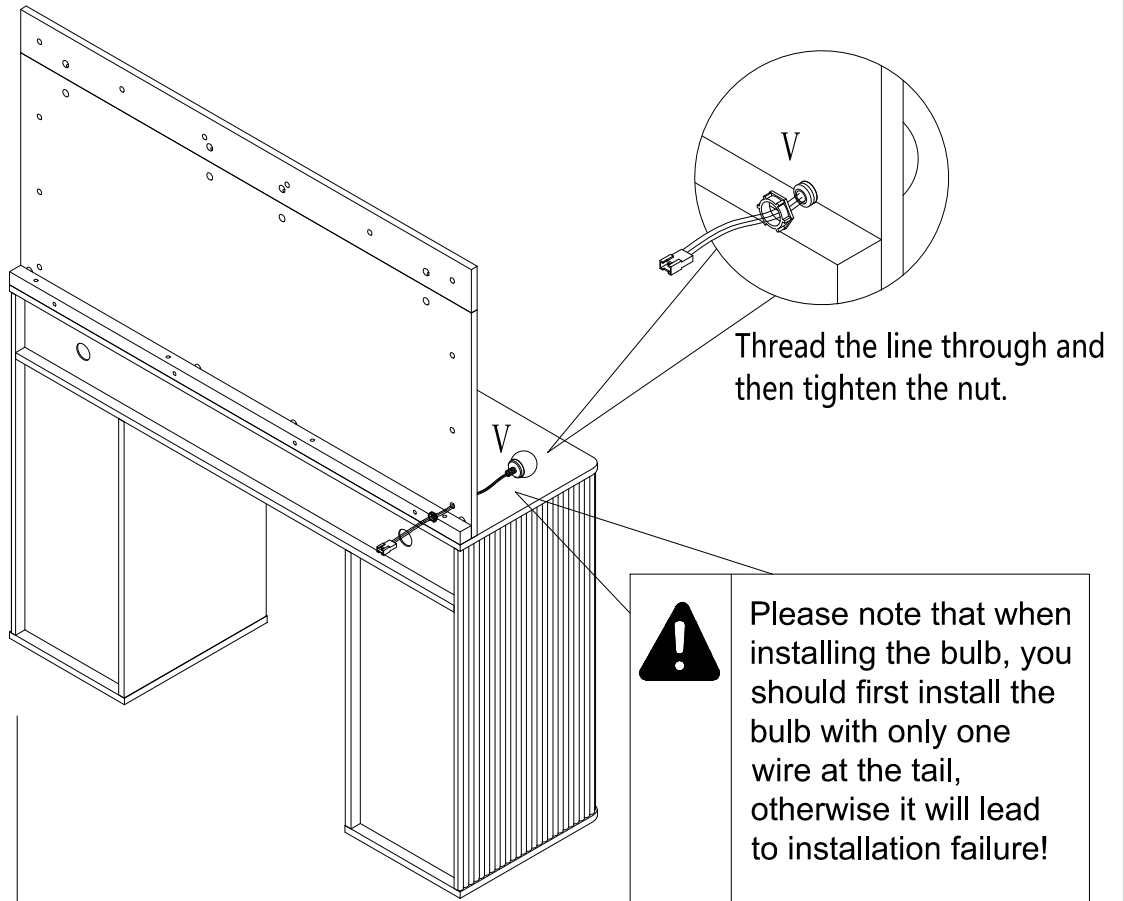


No. O
Quantity: 12 Sets

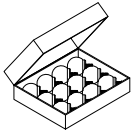


Description: Insert the thinner end of the reinforcement into the gap in this back panel, then tighten the screws. This will make the cabinet more stable.

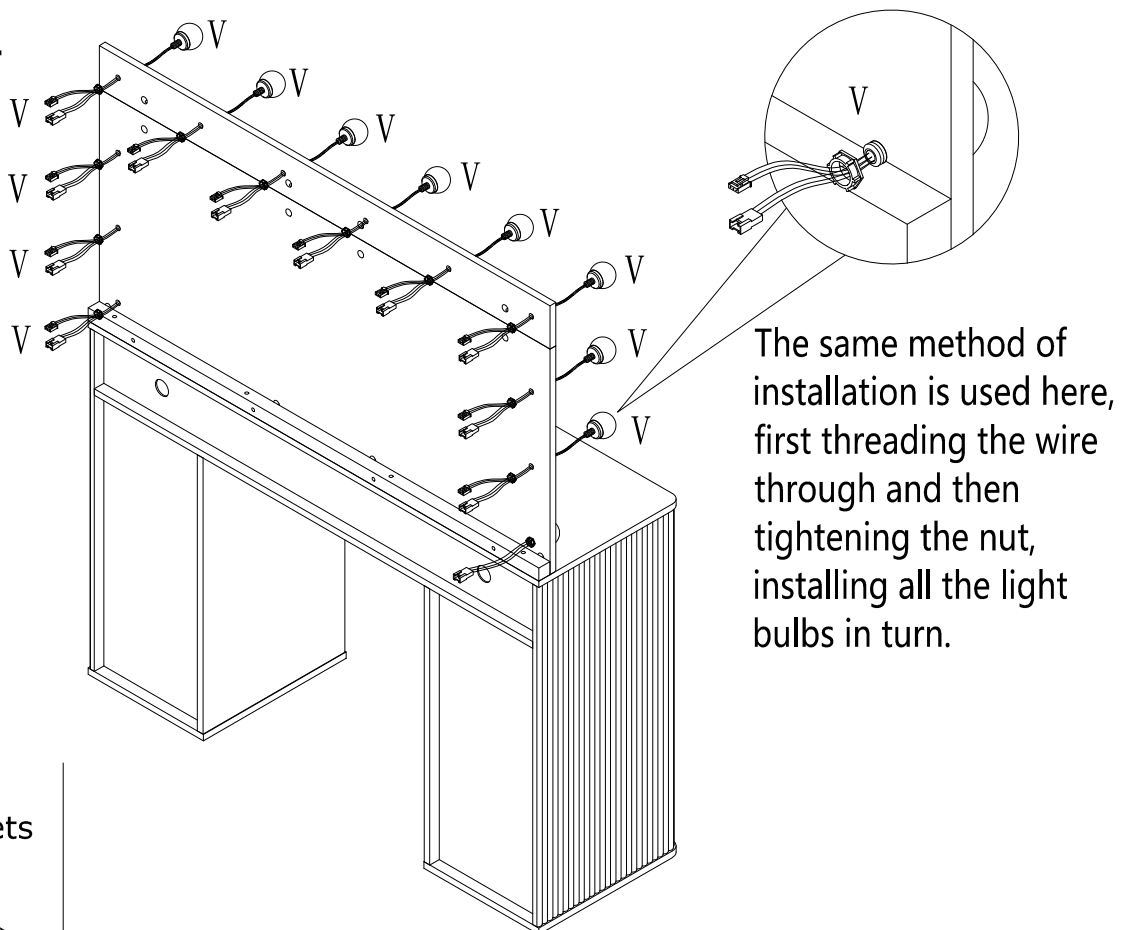
STEP 21



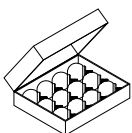
No. V
Quantity: 1 Sets



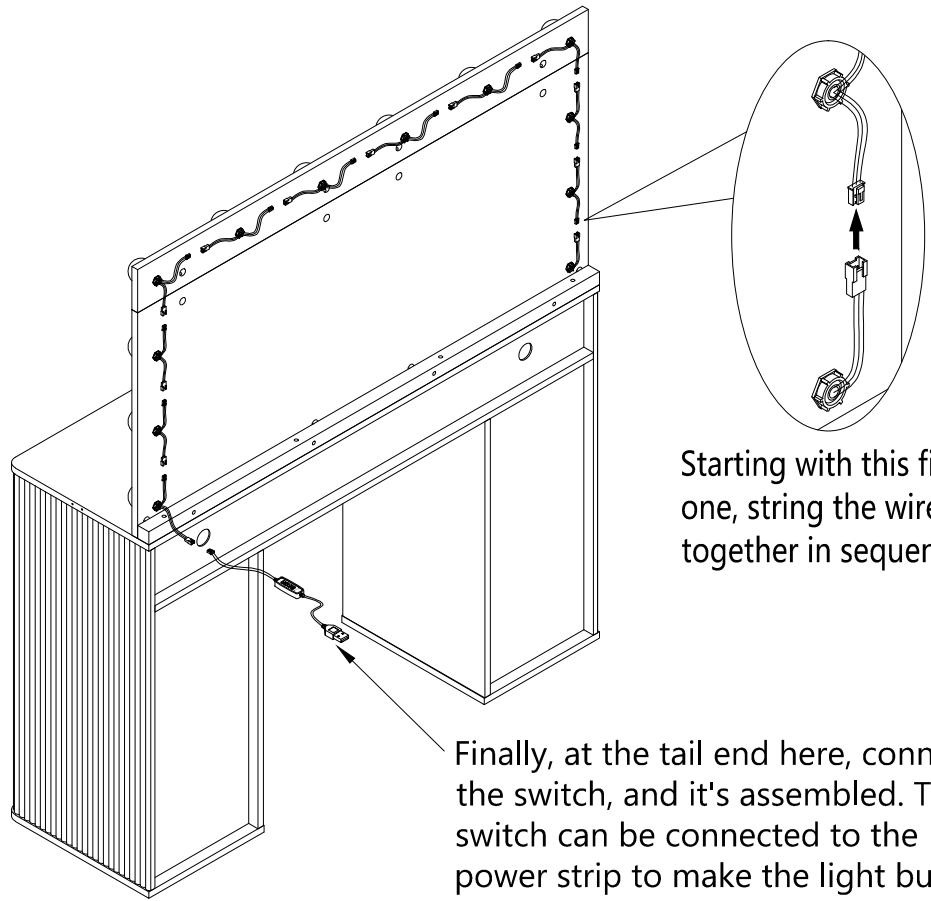
STEP 22



No. V
Quantity: 1 Sets



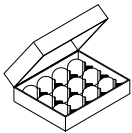
STEP 23



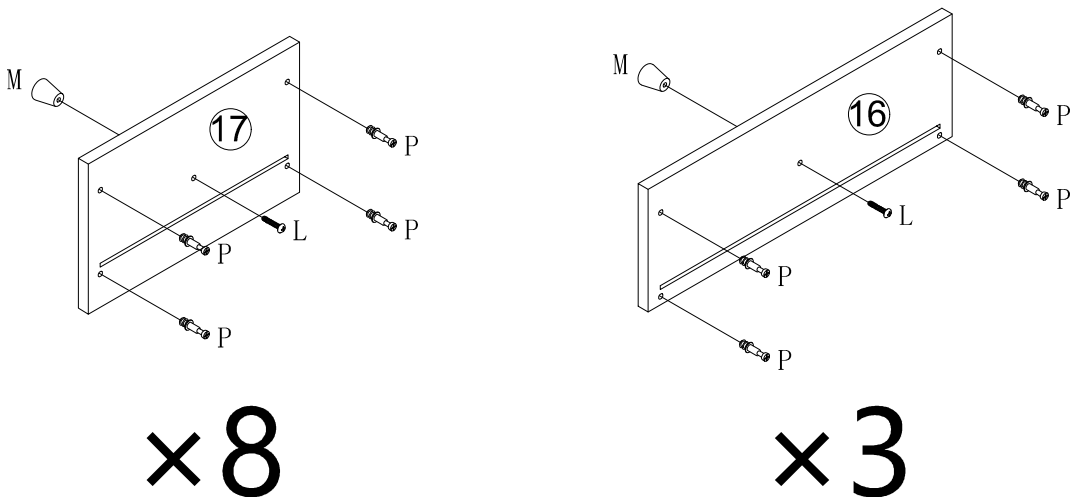
Starting with this first one, string the wires together in sequence.

Finally, at the tail end here, connect the switch, and it's assembled. The switch can be connected to the power strip to make the light bulb.

No. V
Quantity: 1 Sets



STEP 24



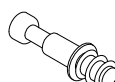
No. L
Quantity: 11 Pcs
M4*16mm



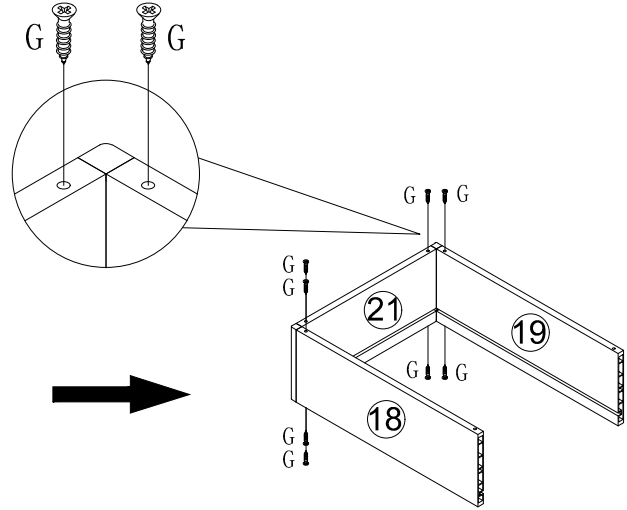
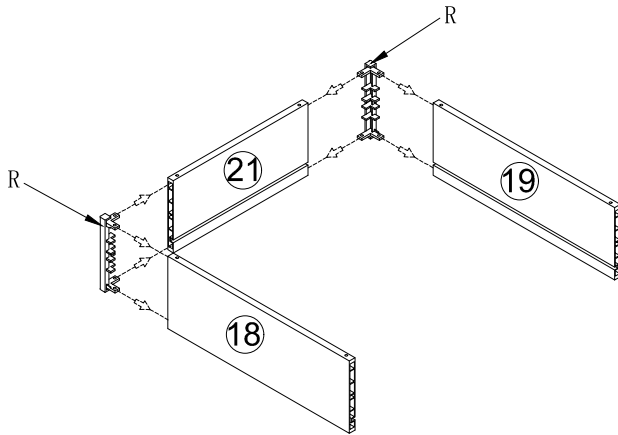
No. M
Quantity: 11 Pcs



No. P
Quantity: 44 Pcs
8*25mm



STEP 25

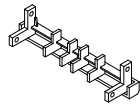



× 8

No. G
Quantity: 64 Pcs
M3*12mm

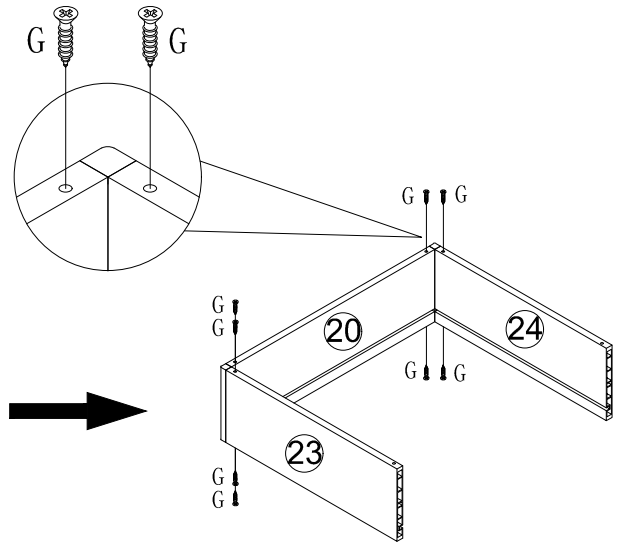
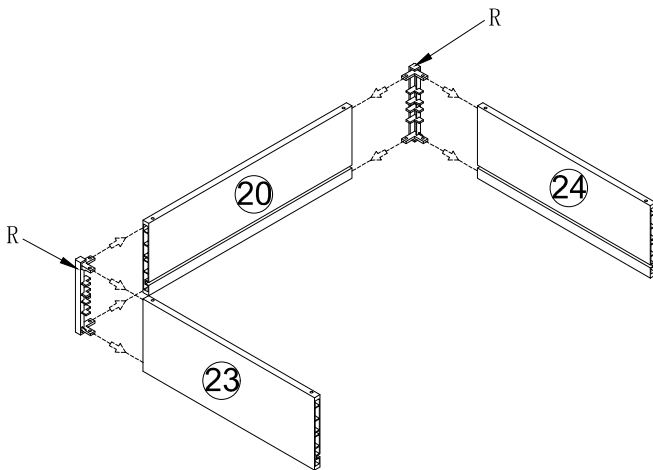


No. R
Quantity: 16 Pcs



 Please note that both the top and bottom need to be secured with screws when connecting.

STEP 26

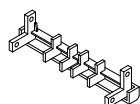



× 1

No. G
Quantity: 8 Pcs
M3*12mm

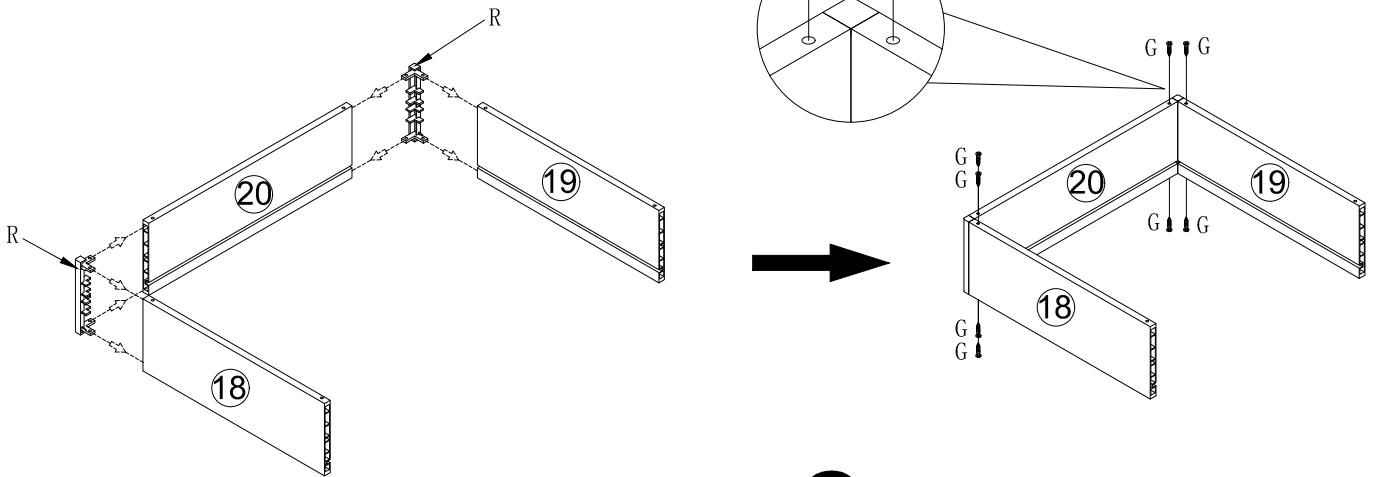


No. R
Quantity: 2 Pcs



 Please note that both the top and bottom need to be secured with screws when connecting.

STEP 27

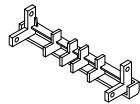



×2

No. G
Quantity: 16 Pcs
M3*12mm

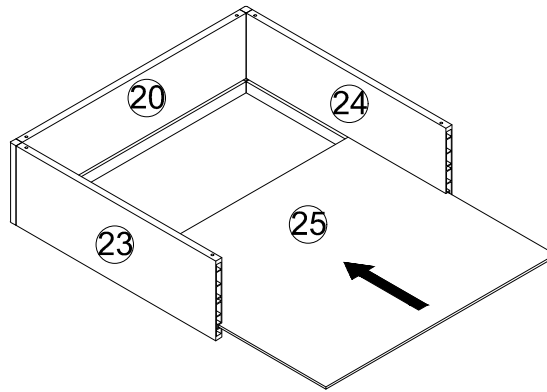


No. R
Quantity: 4 Pcs

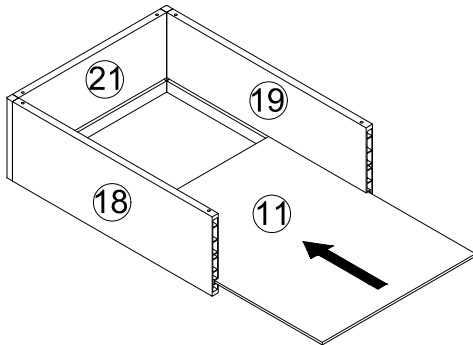


 Please note that both the top and bottom need to be secured with screws when connecting.

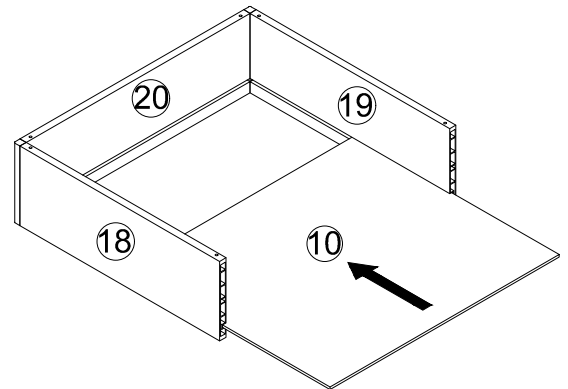
STEP 28



×1

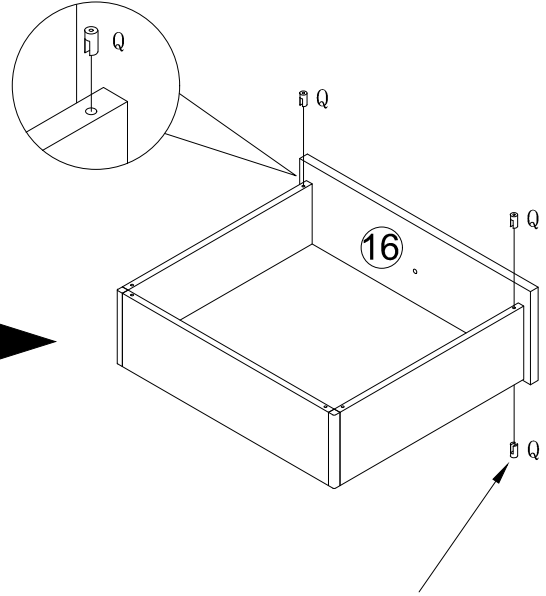
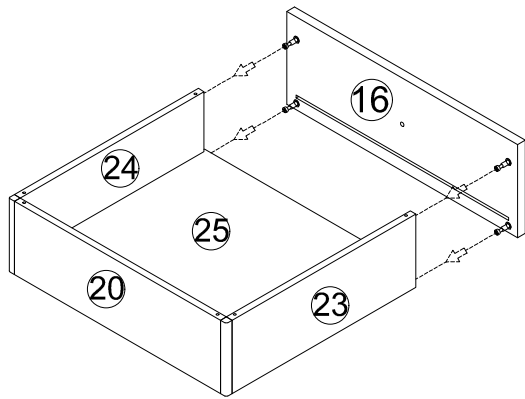


×8



×2

STEP 29



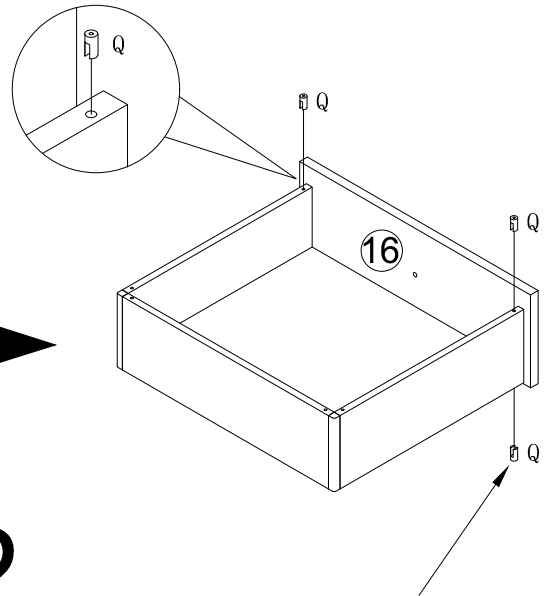
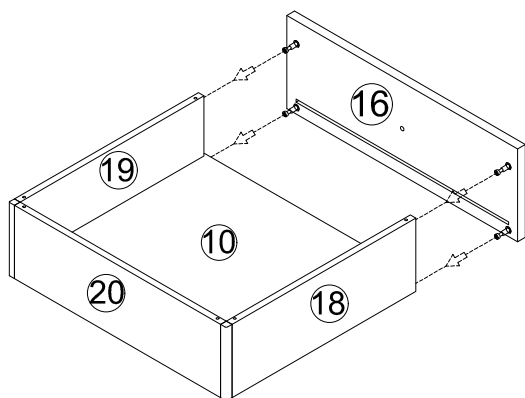
×1

No. Q
Quantity: 4 Pcs
Ø6*12mm



Please note that at the connection, both above and below, the glue beads need to be tapped into place.

STEP 30



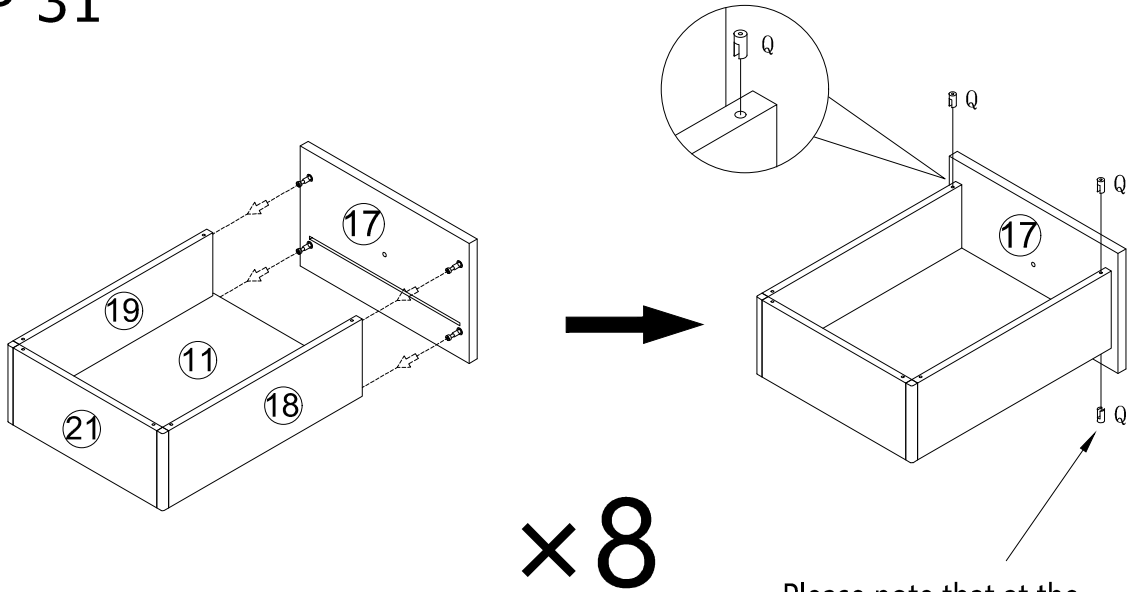
×2

No. Q
Quantity: 8 Pcs
Ø6*12mm



Please note that at the connection, both above and below, the glue beads need to be tapped into place.

STEP 31

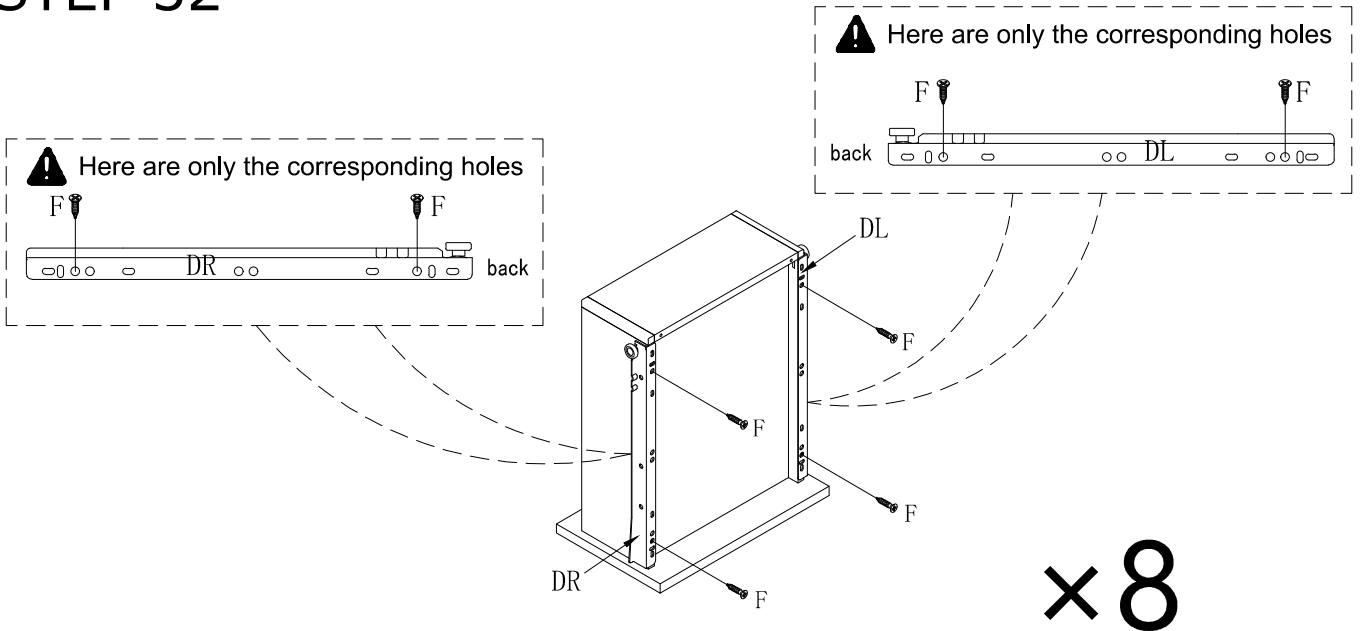


Please note that at the connection, both above and below, the glue beads need to be tapped into place.

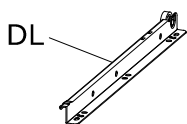
No. Q
Quantity: 32 Pcs
Ø6*12mm



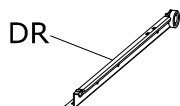
STEP 32



No. E2(DL)
Quantity: 8 Pcs



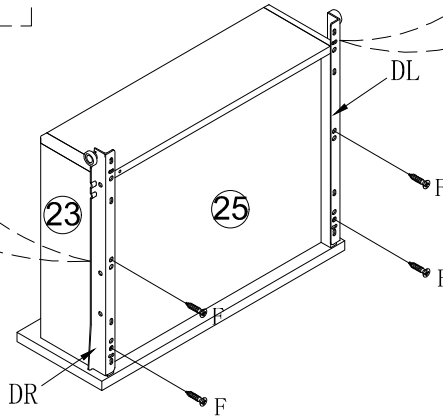
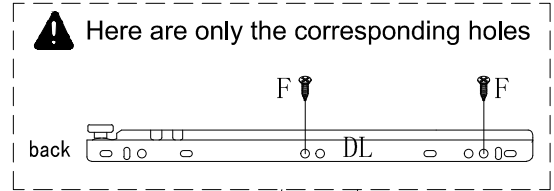
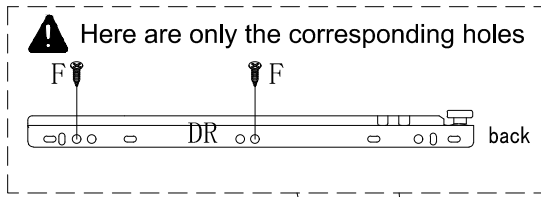
No. E2(DR)
Quantity: 8 Pcs



No. F
Quantity: 32 Pcs
M3.5*14mm

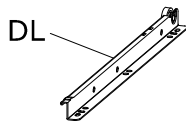


STEP 33

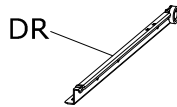


×1

No. E2(DL)
Quantity: 1 Pcs



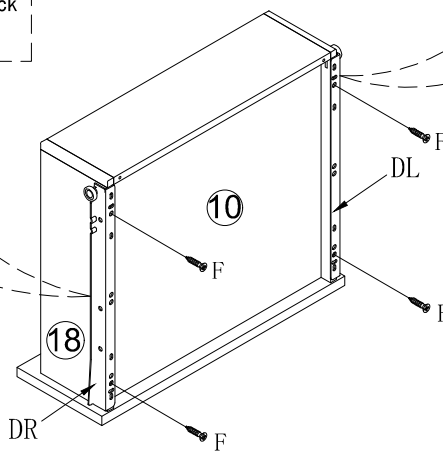
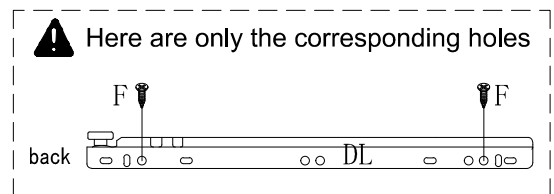
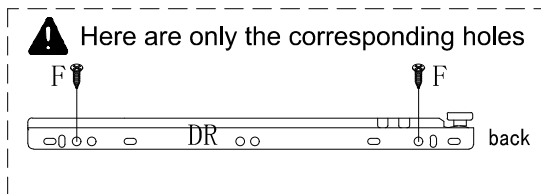
No. E2(DR)
Quantity: 1 Pcs



No. F
Quantity: 4 Pcs
M3.5*14mm

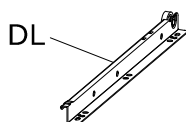


STEP 34

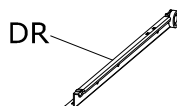


×2

No. E2(DL)
Quantity: 2 Pcs



No. E2(DR)
Quantity: 2 Pcs



No. F
Quantity: 8 Pcs
M3.5*14mm



STEP 35

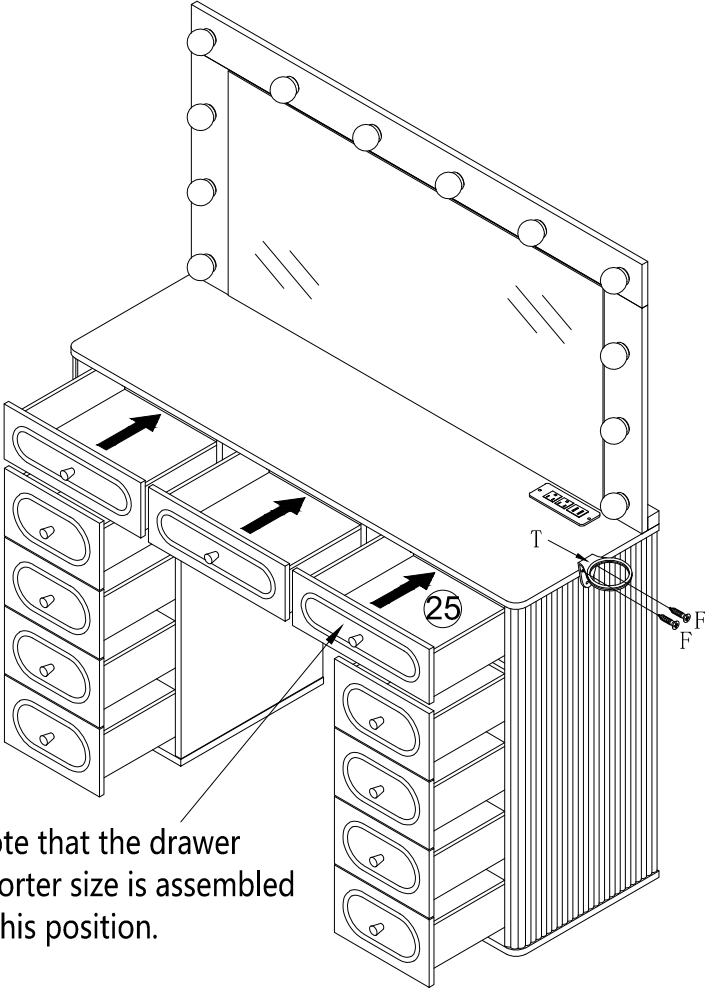
No. F
Quantity: 2 Pcs
M3.5*14mm



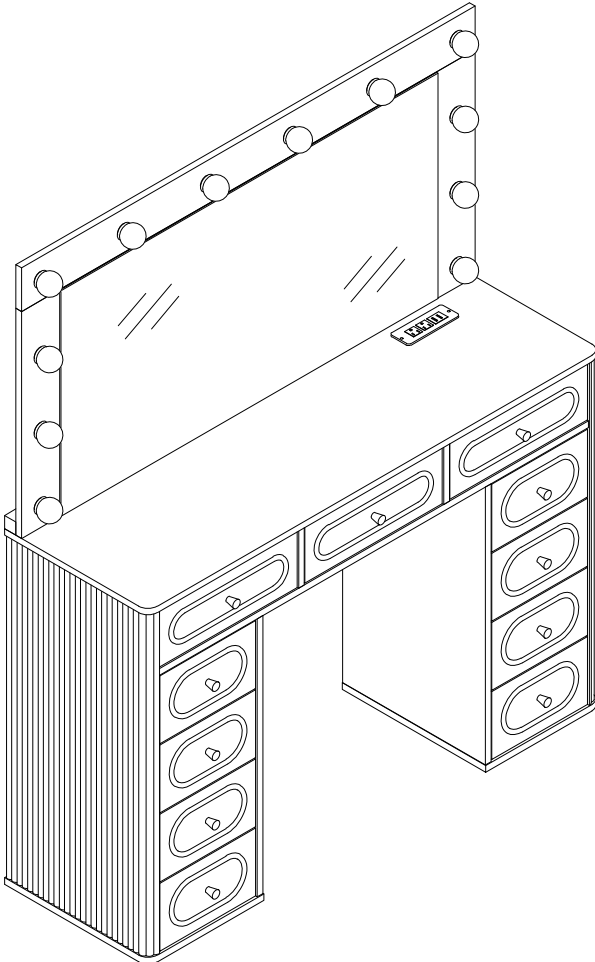
No. T
Quantity: 1 Pcs



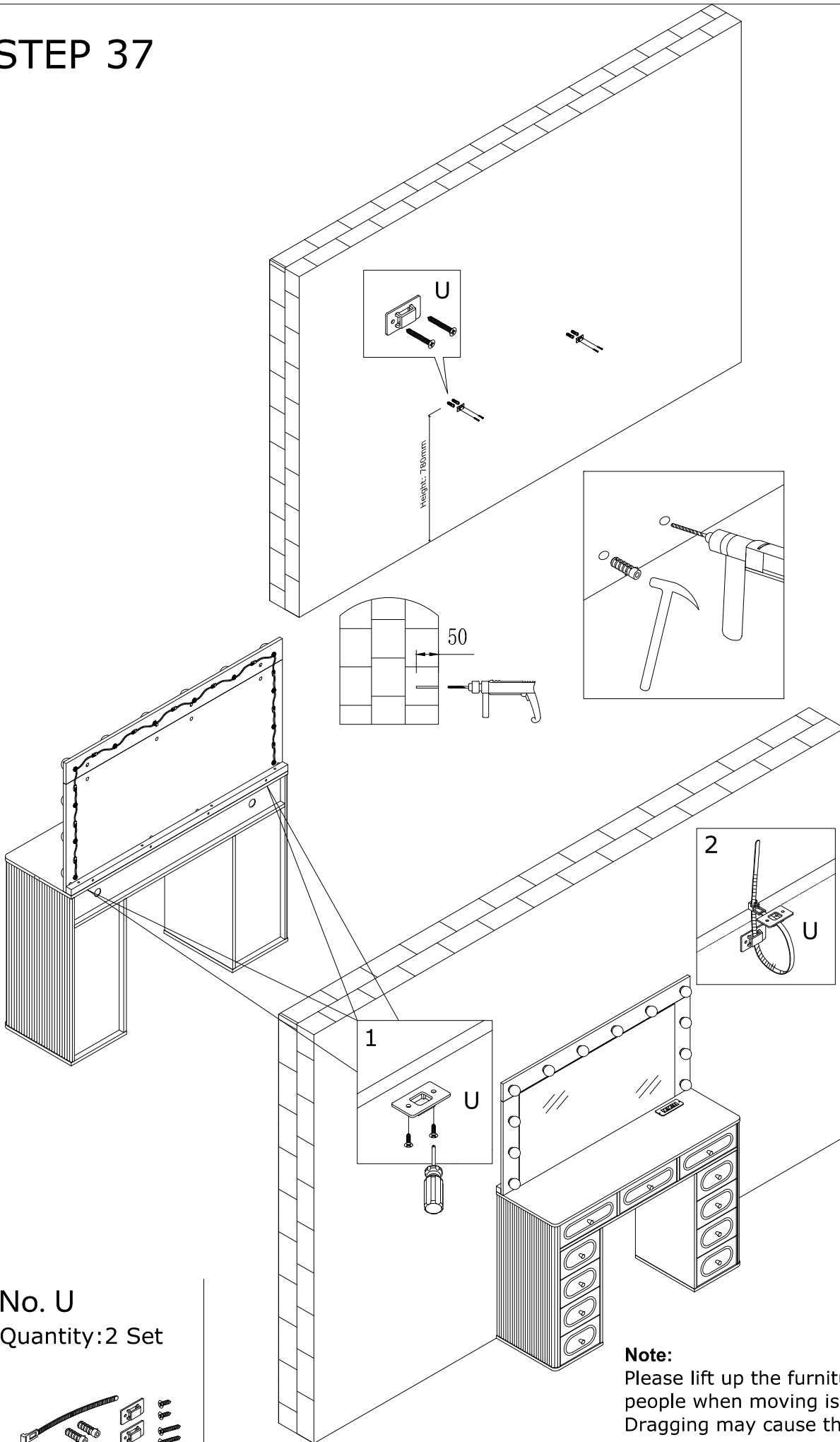
Please note that the drawer with a shorter size is assembled to be in this position.



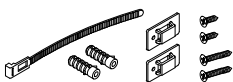
STEP 36



STEP 37



No. U
Quantity: 2 Set



Note:
Please lift up the furniture by two people when moving is needed.
Dragging may cause the legs failure.