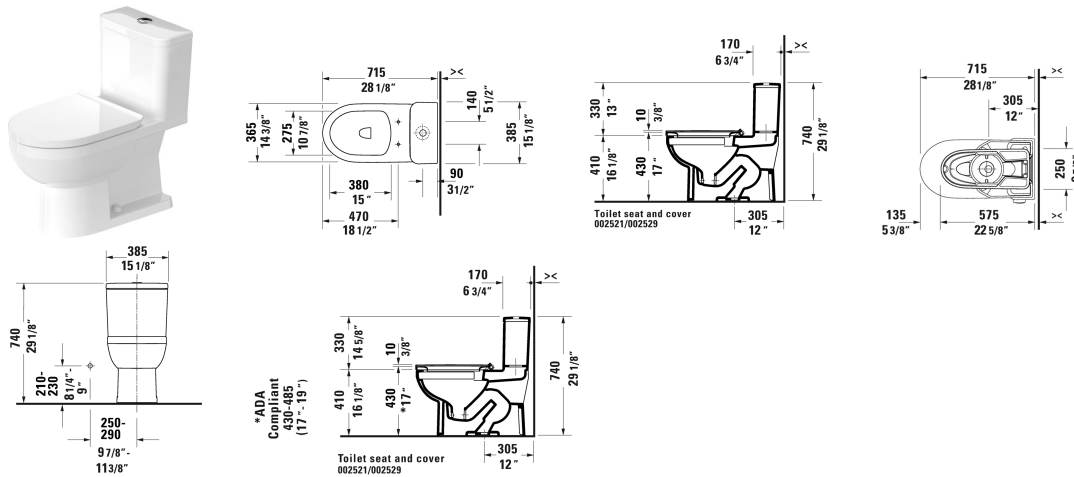


DuraStyle Basic Toilet kit # D4060200

| < 14 3/8" Inch > |



| Toilet kit | Dimension | Weight | Order number |
|--|------------------------|---------|--------------|
| One-Piece toilet & Toilet seat and cover | | | |
| Colors | | | |
| 00 White | | | |
| Variant | | | |
| | 14 3/8" x 28 1/8" Inch | 97.7 lb | D4060200 |
| Suitable products | | | |
| One-Piece toilet Duravit Rimless® rimless, syphonic, 12" rough-in, vertical outlet, with dual flush piston valve, top flush, 1.32/0.92 gpf, 14 3/8" x 28 1/8" Inch | 14 3/8" x 28 1/8" Inch | | 219601 |
| Toilet seat and cover removable, elongated, hinges stainless steel, with slow close, | | | 002529 |

All drawings contain the necessary measurements which are subject to standard tolerances. They are stated in inch & mm and are non-binding. Exact measurements, in particular for customized installation scenarios, can only be taken from the finished ceramic piece.