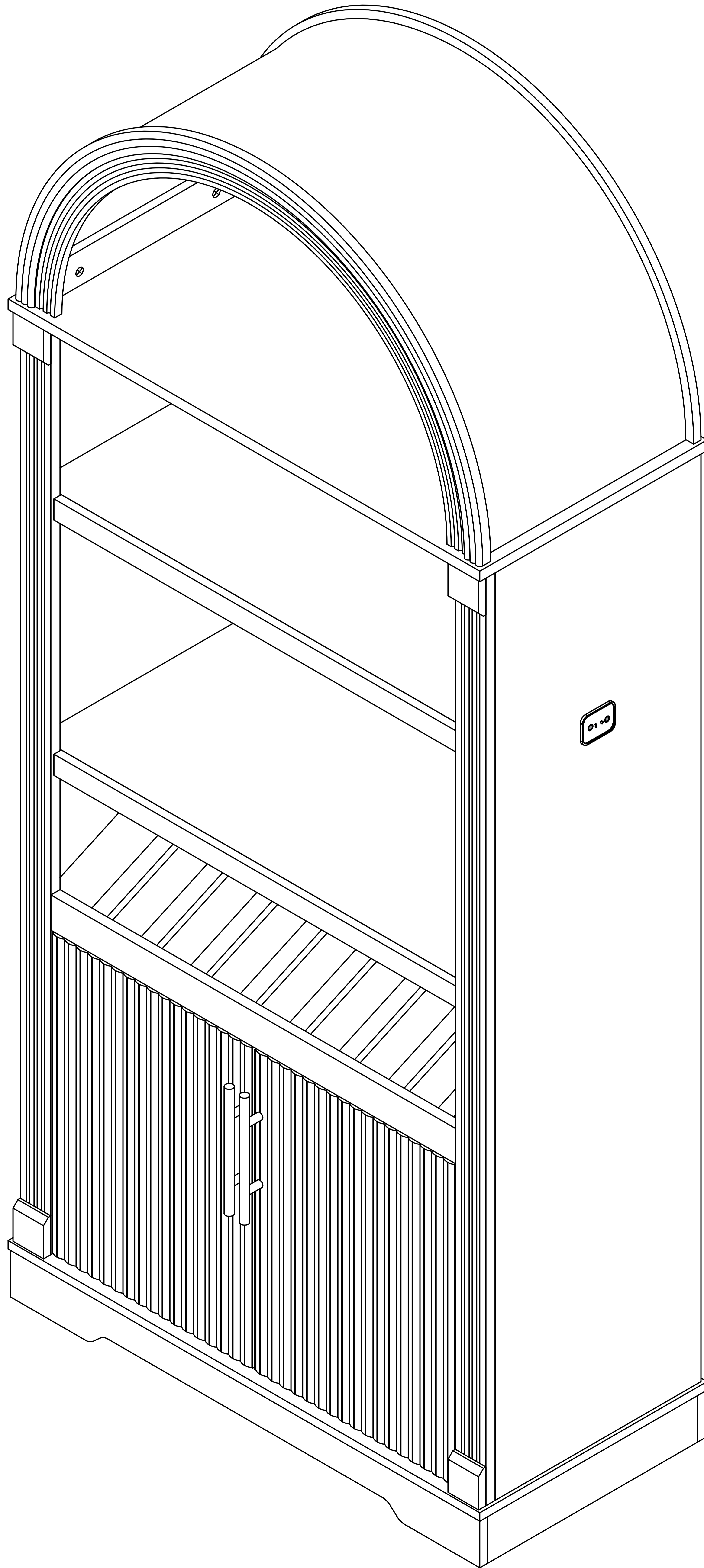
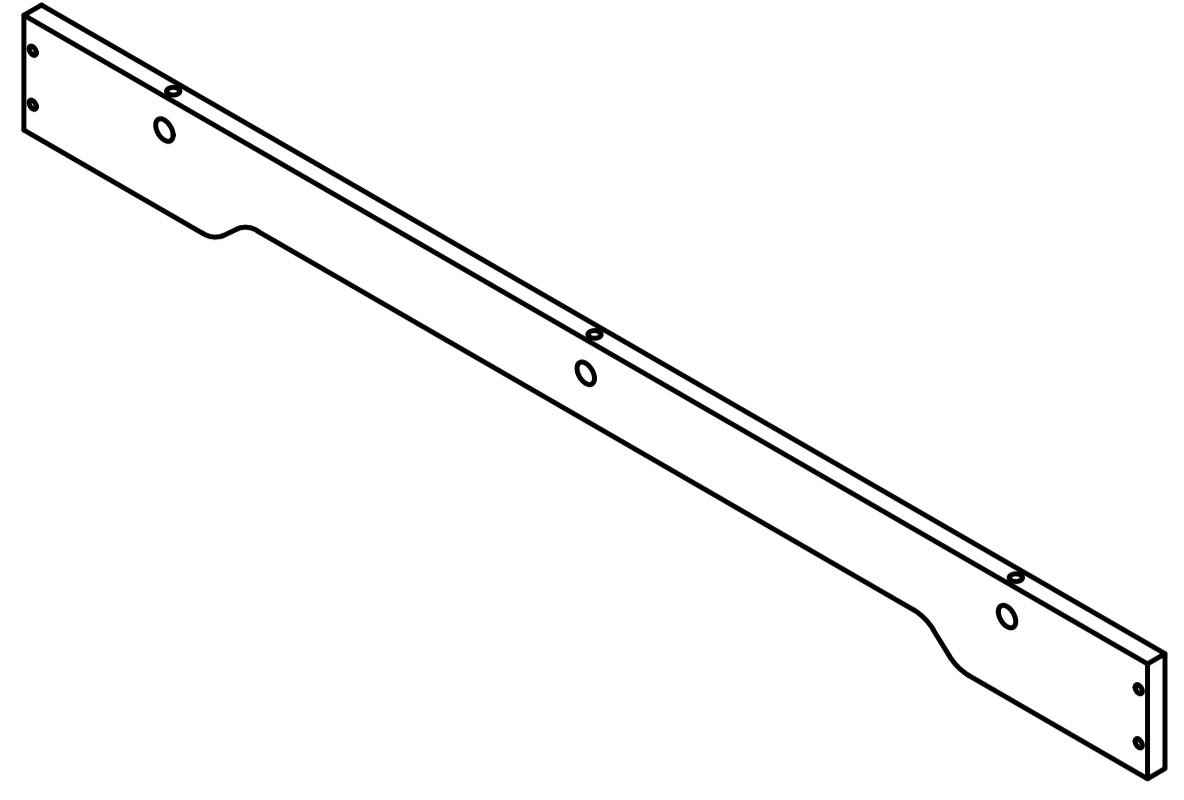
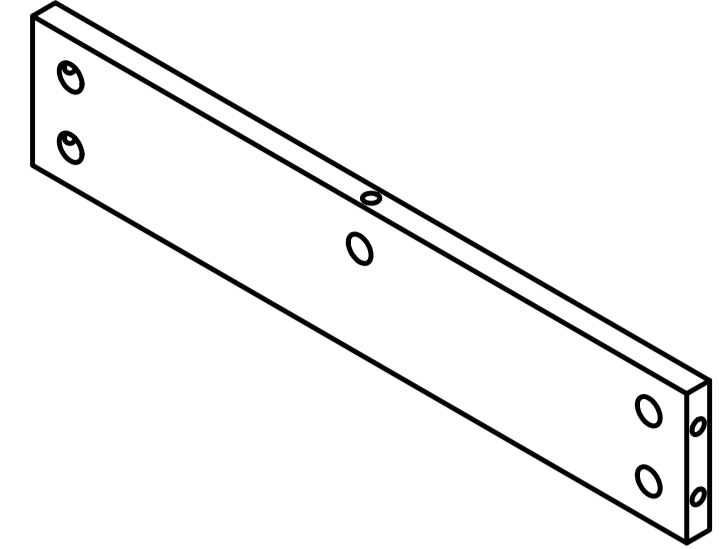


Product Installation Instructions

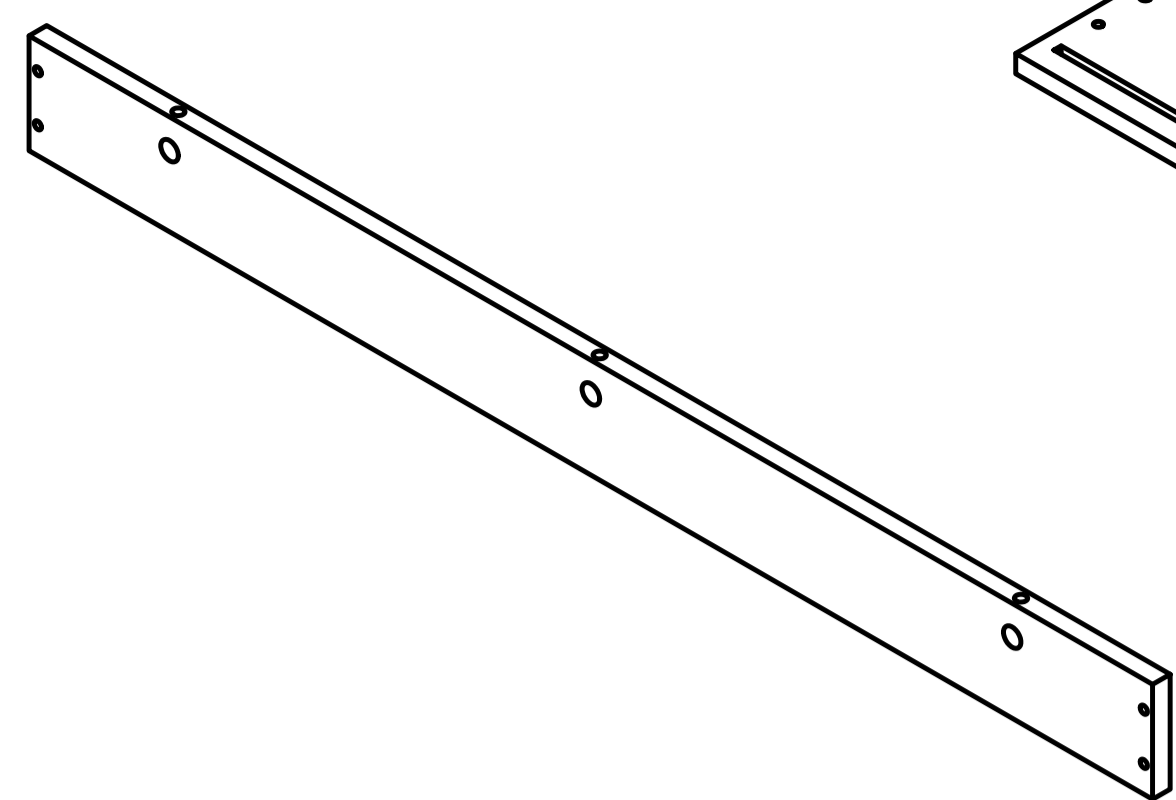




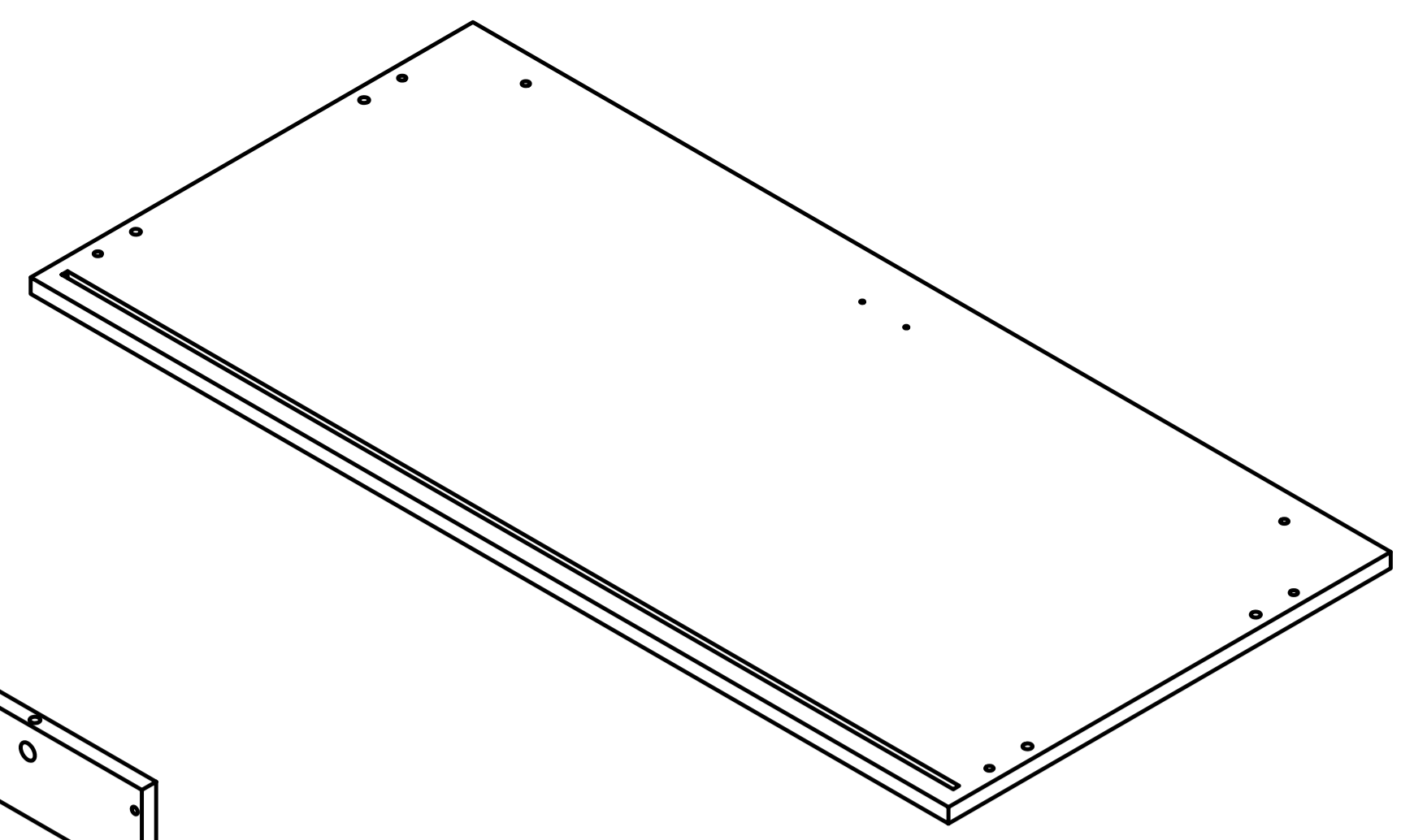
Ax1



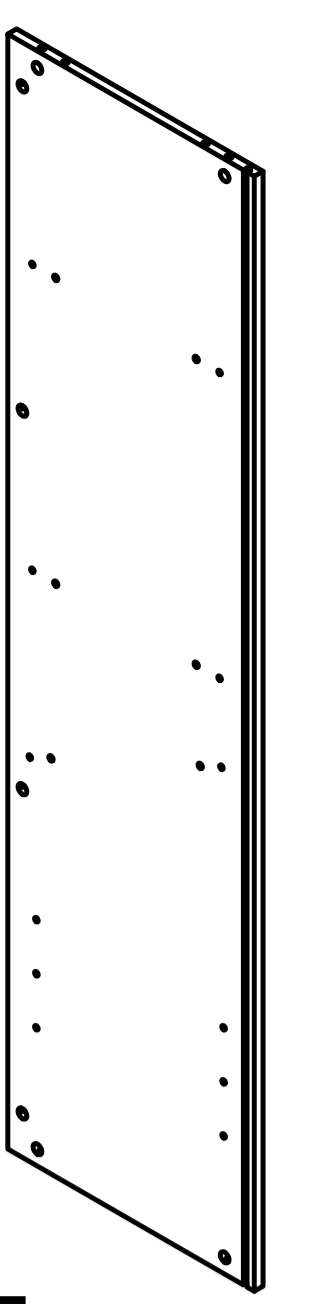
Bx2



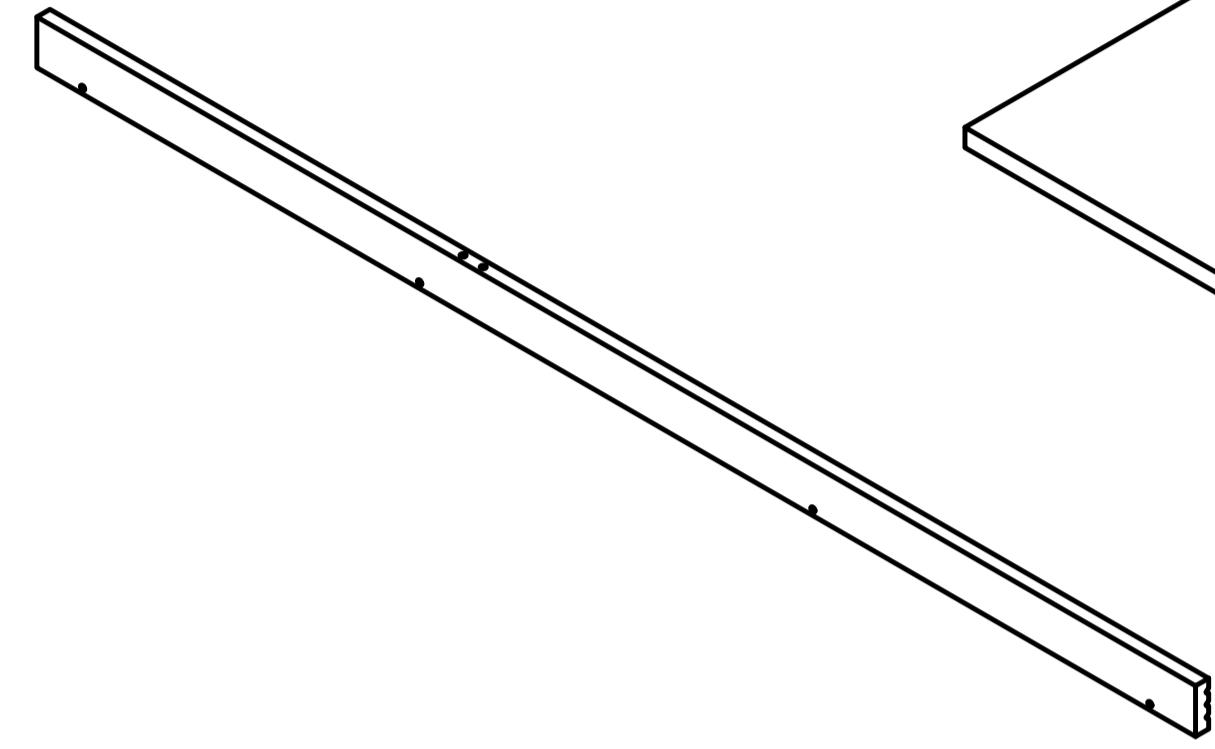
Cx1



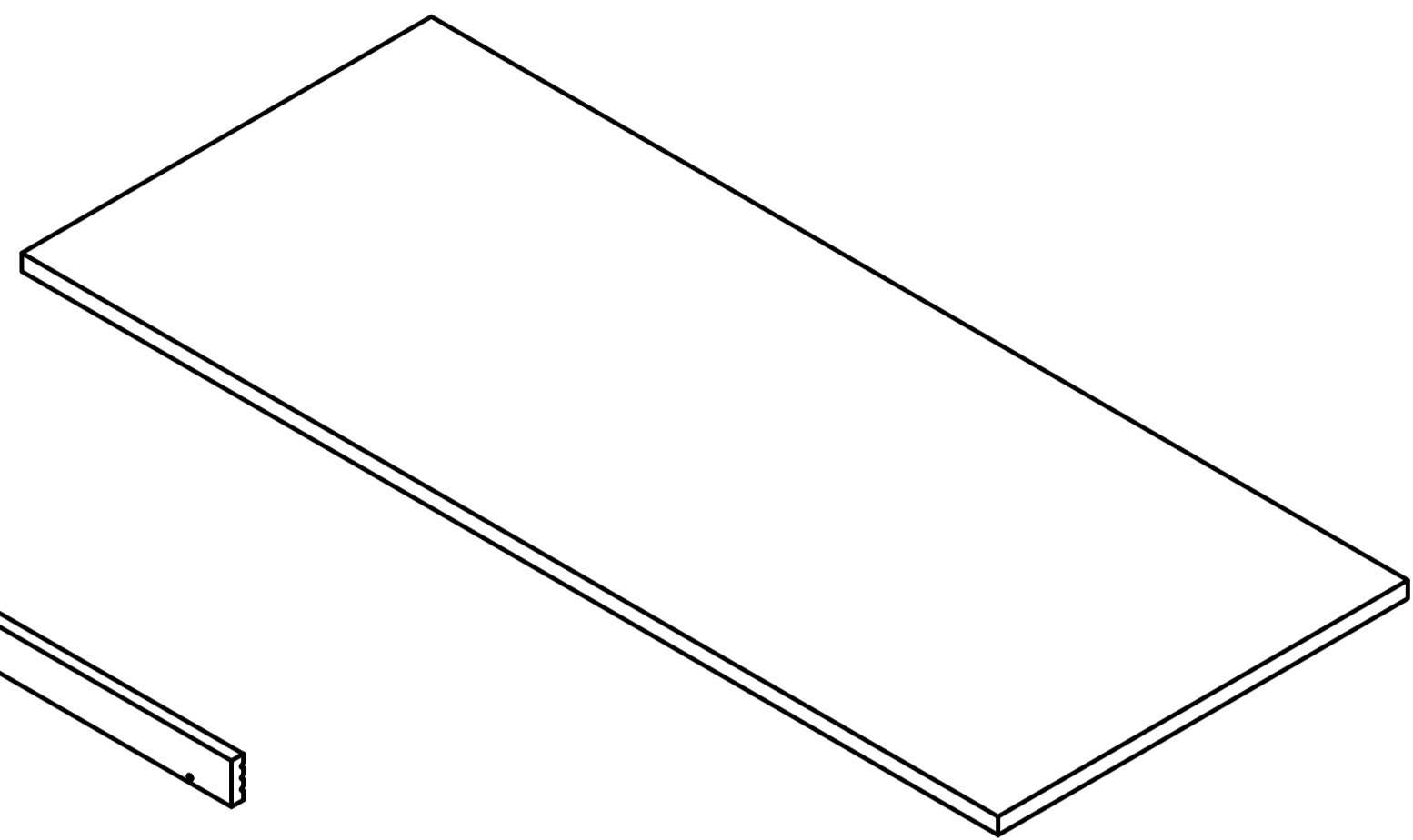
Dx1



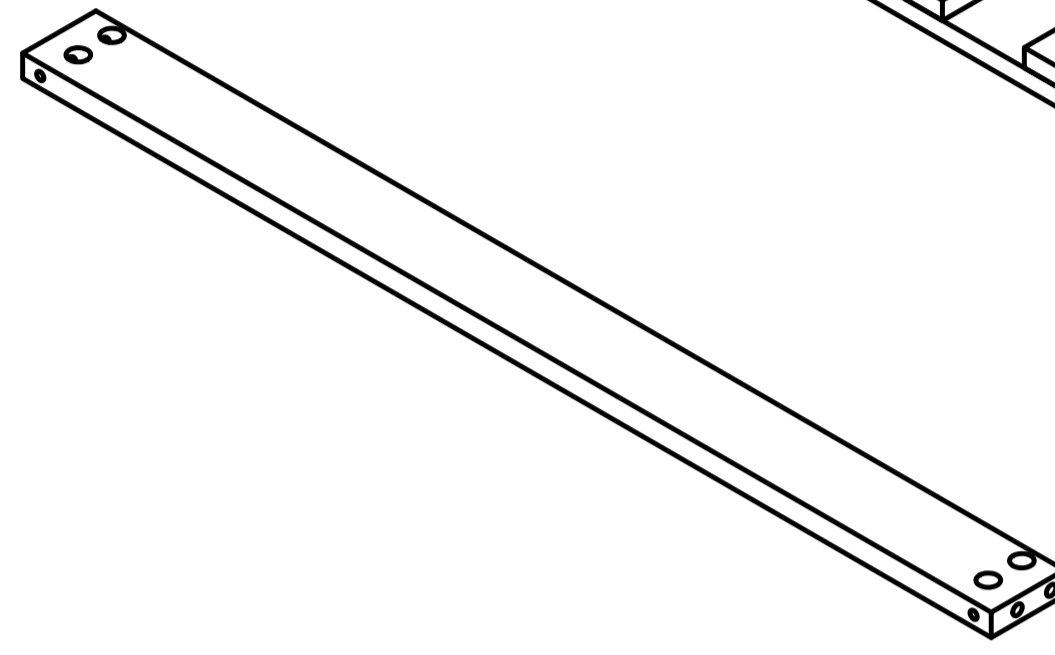
Ex1



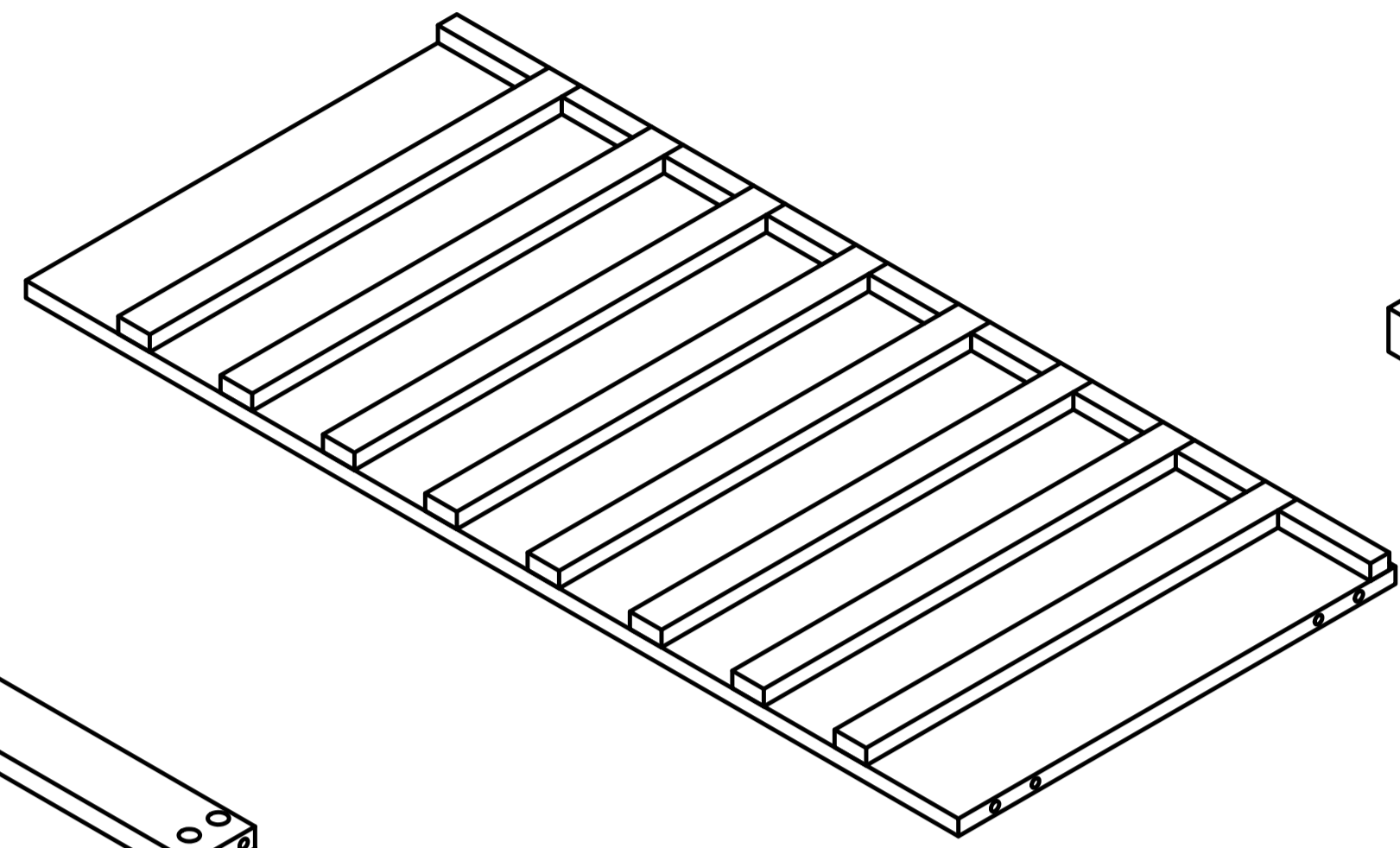
Fx1



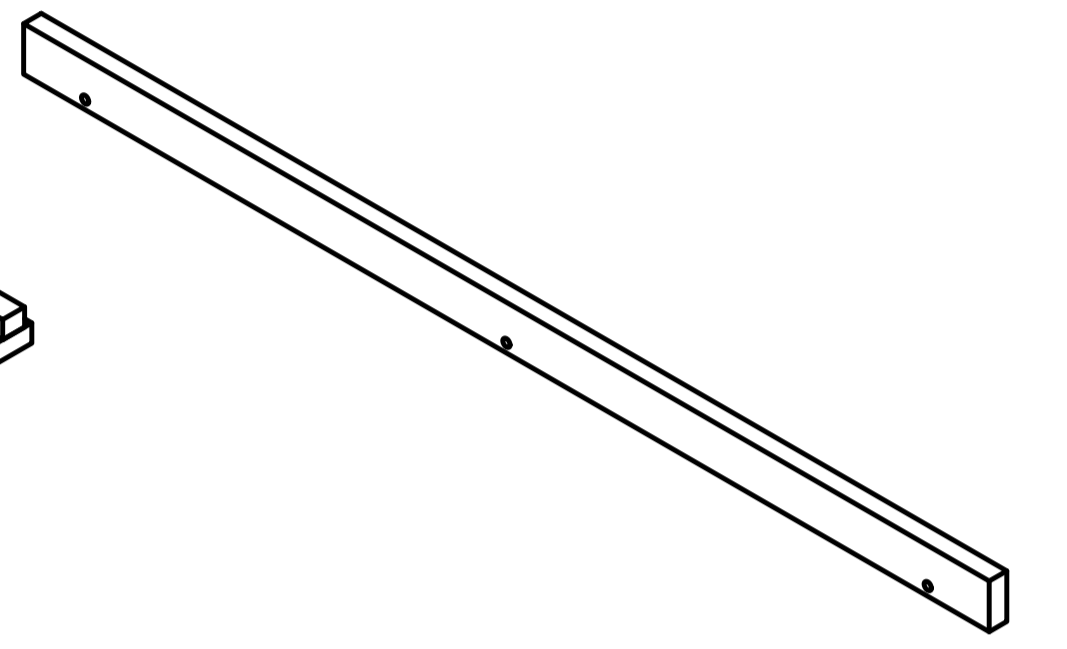
Gx1



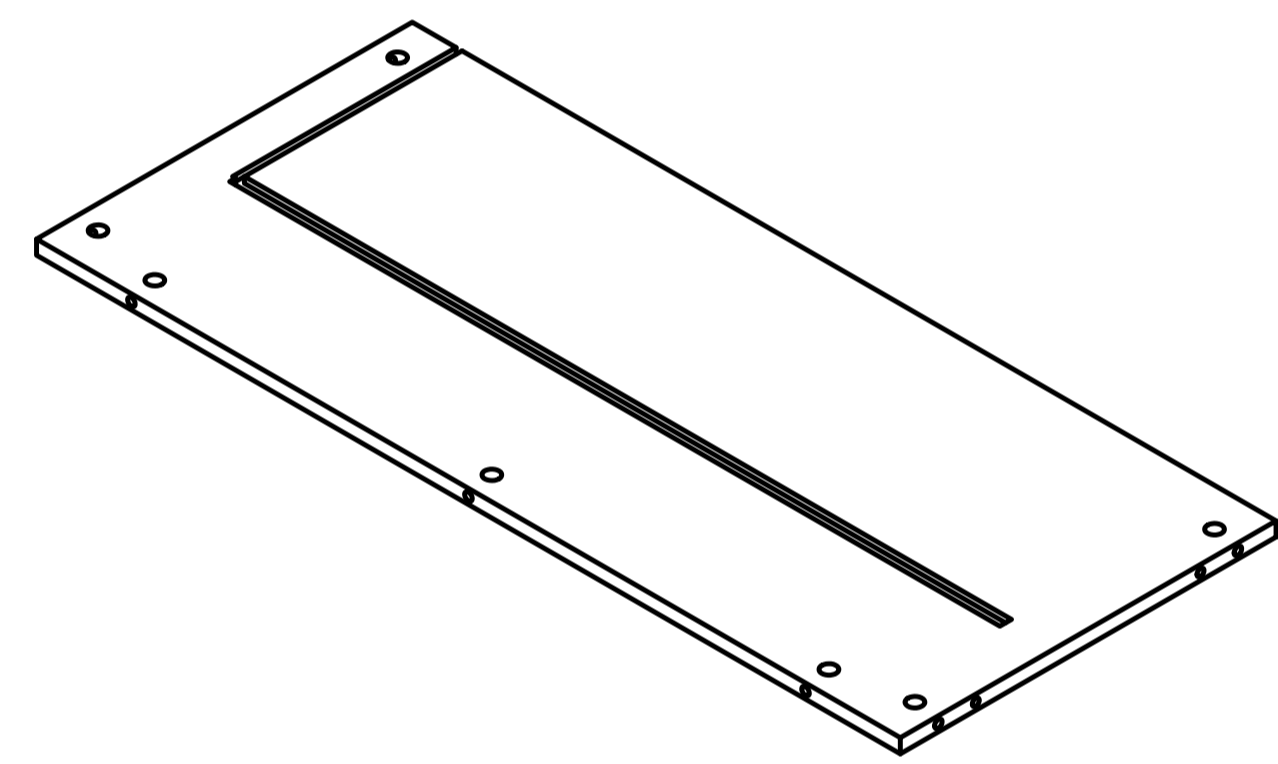
Hx1



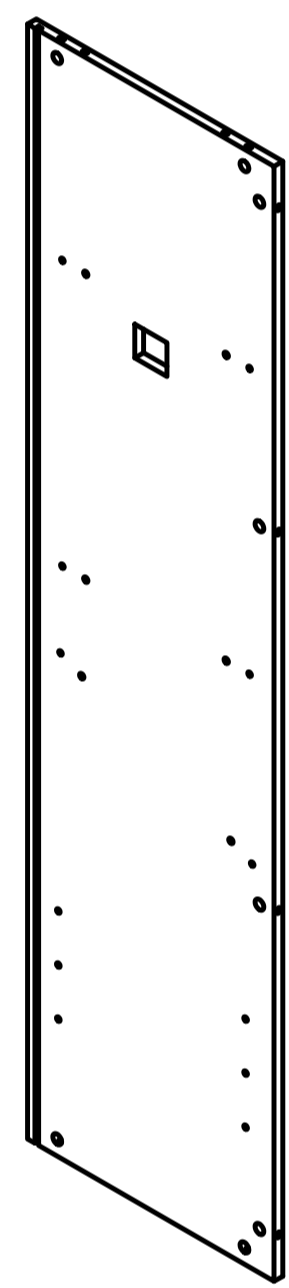
Ix1



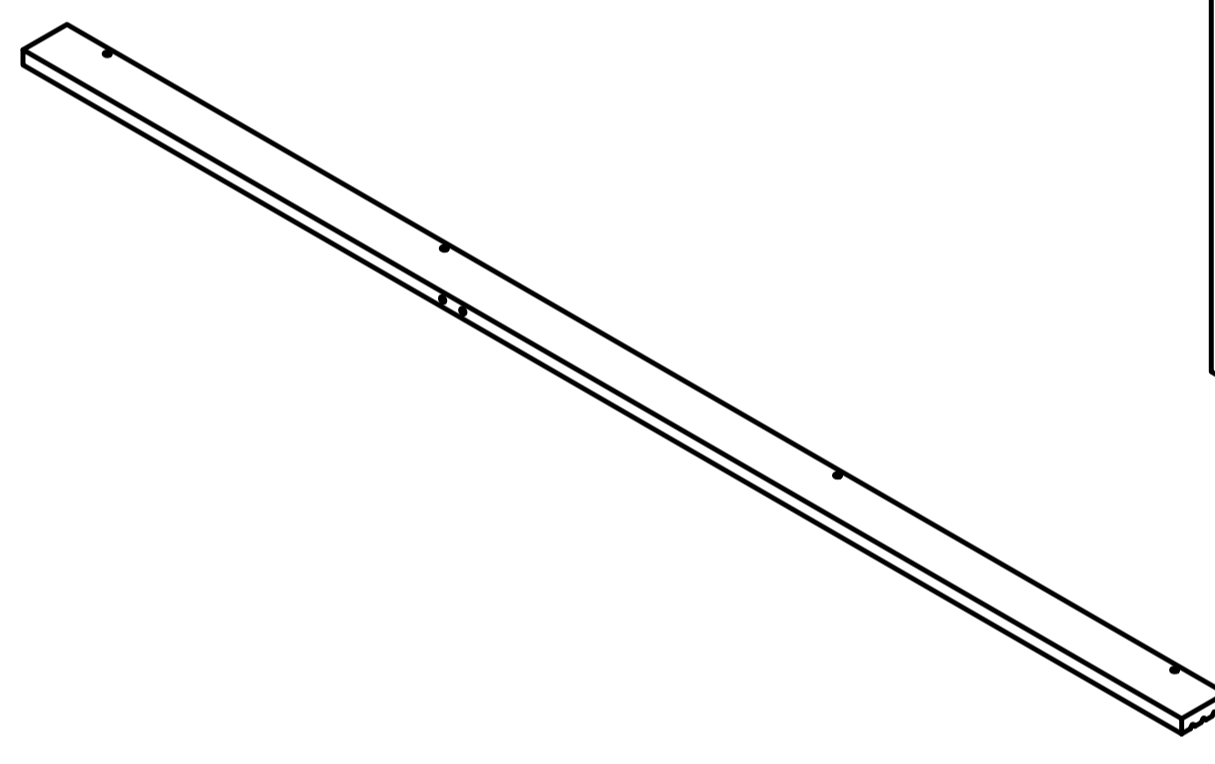
Jx2



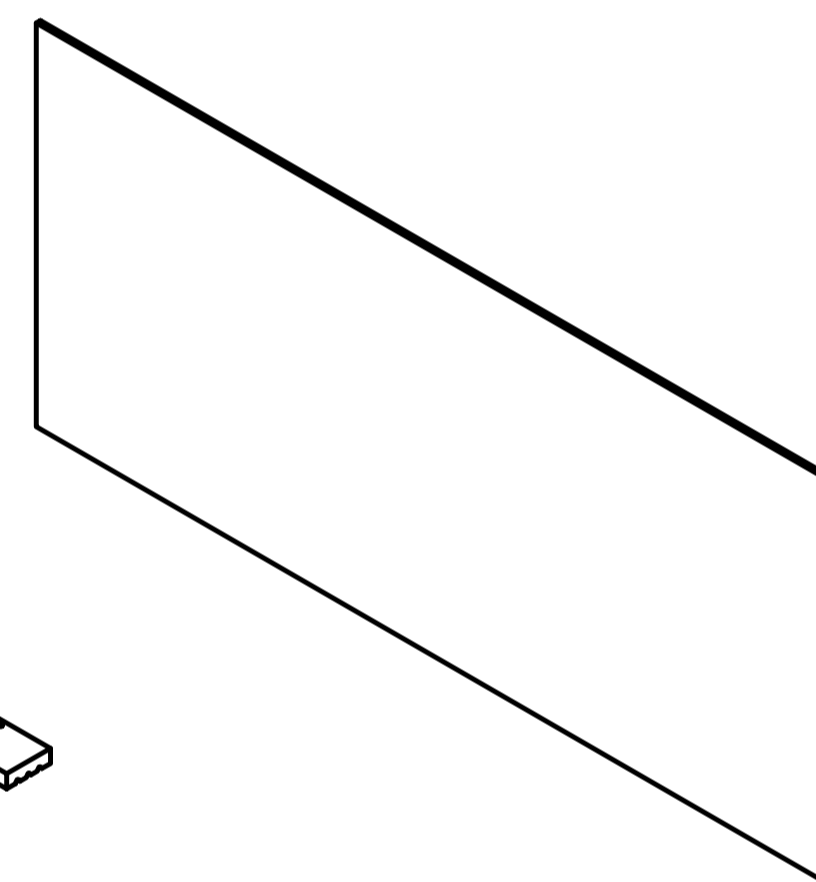
Kx2



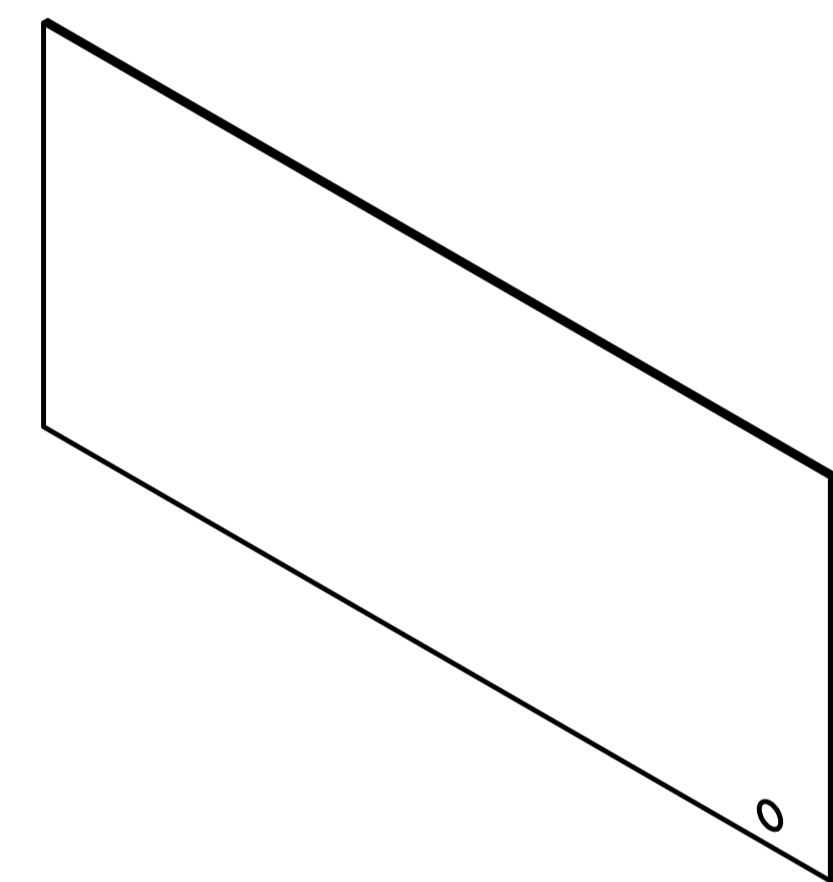
Lx1



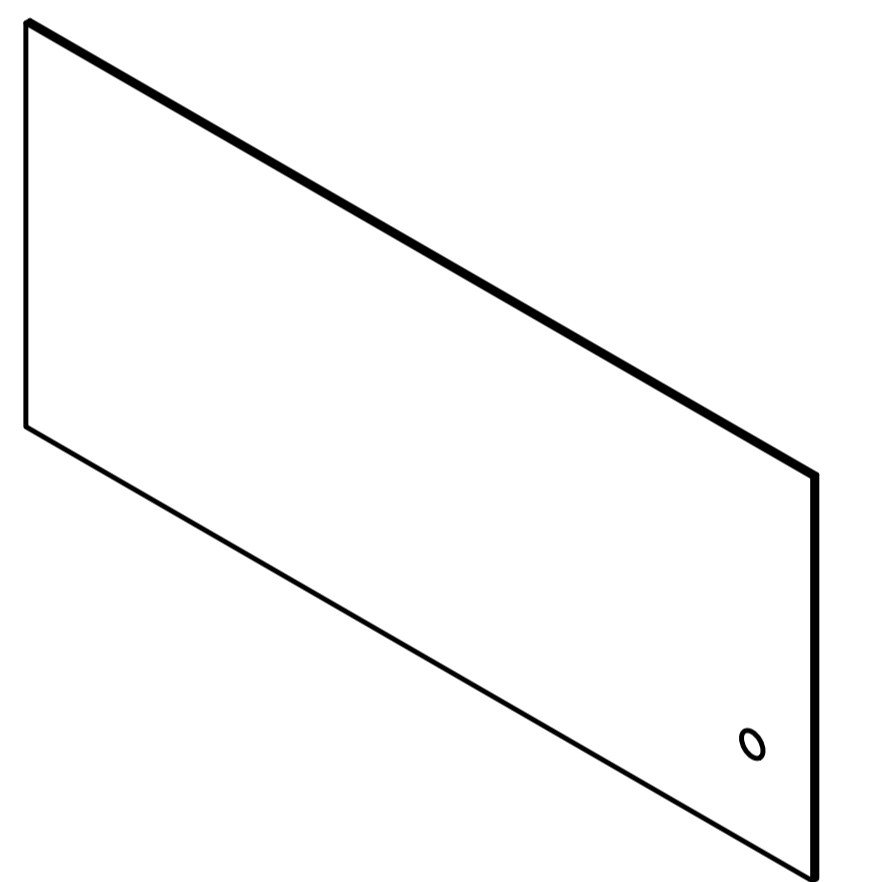
Mx1



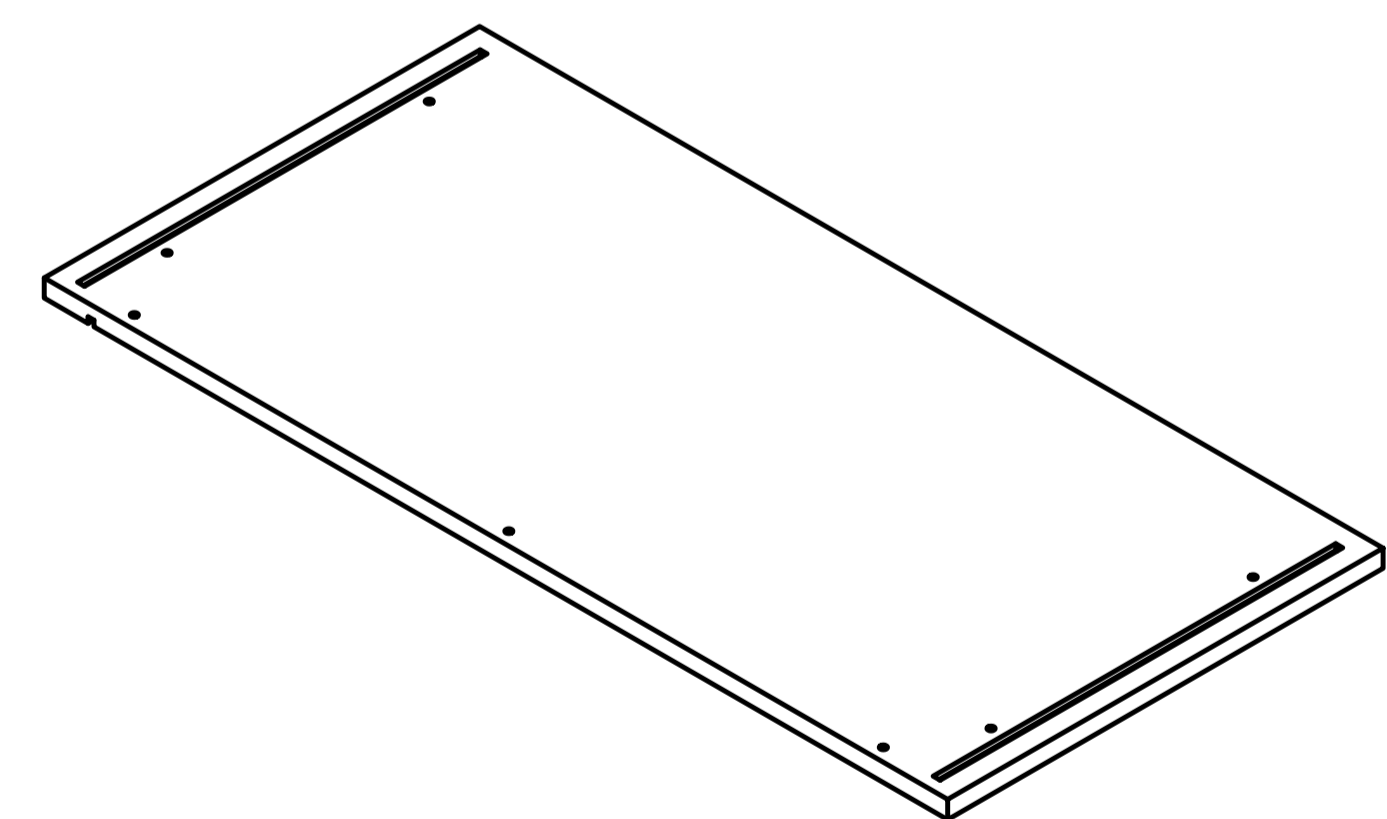
N1x2



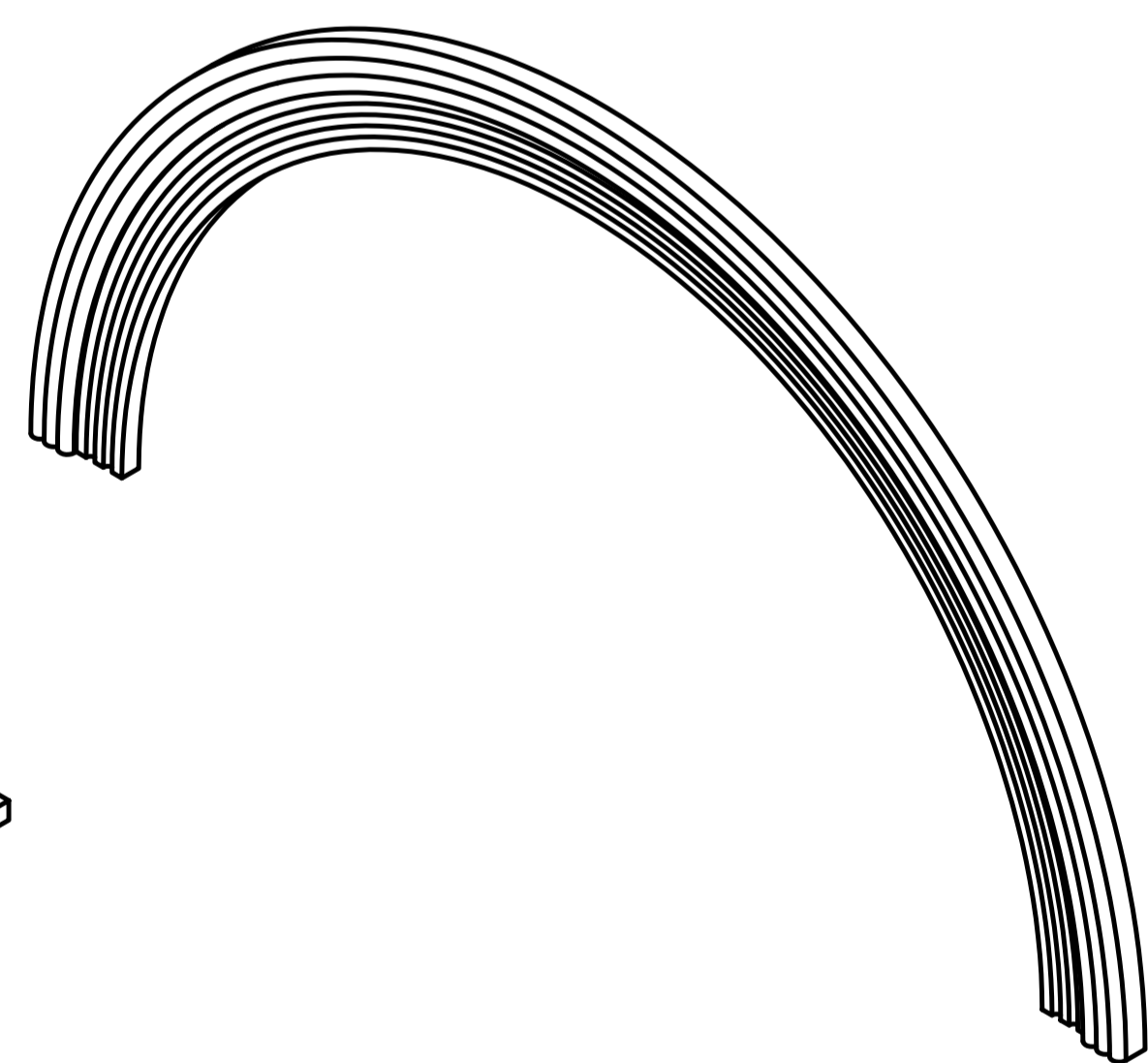
N2x1



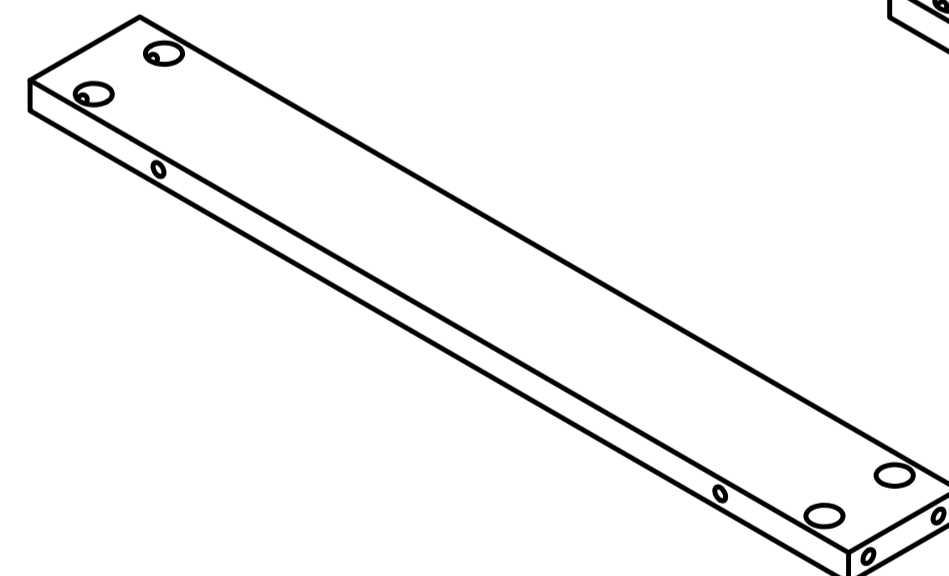
N3x1



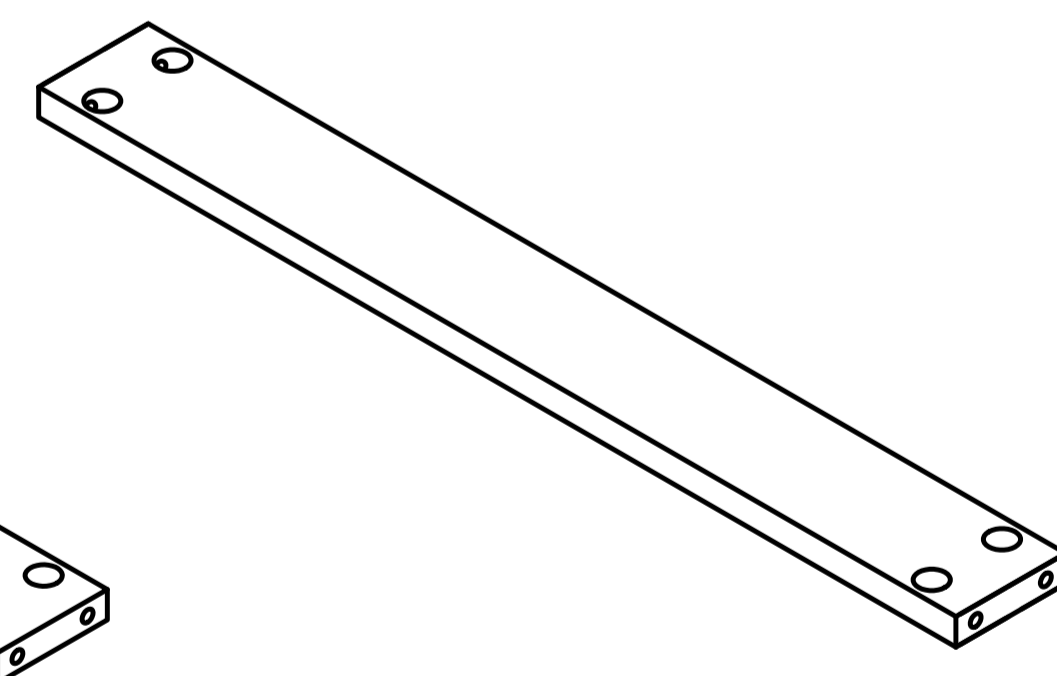
Ox1



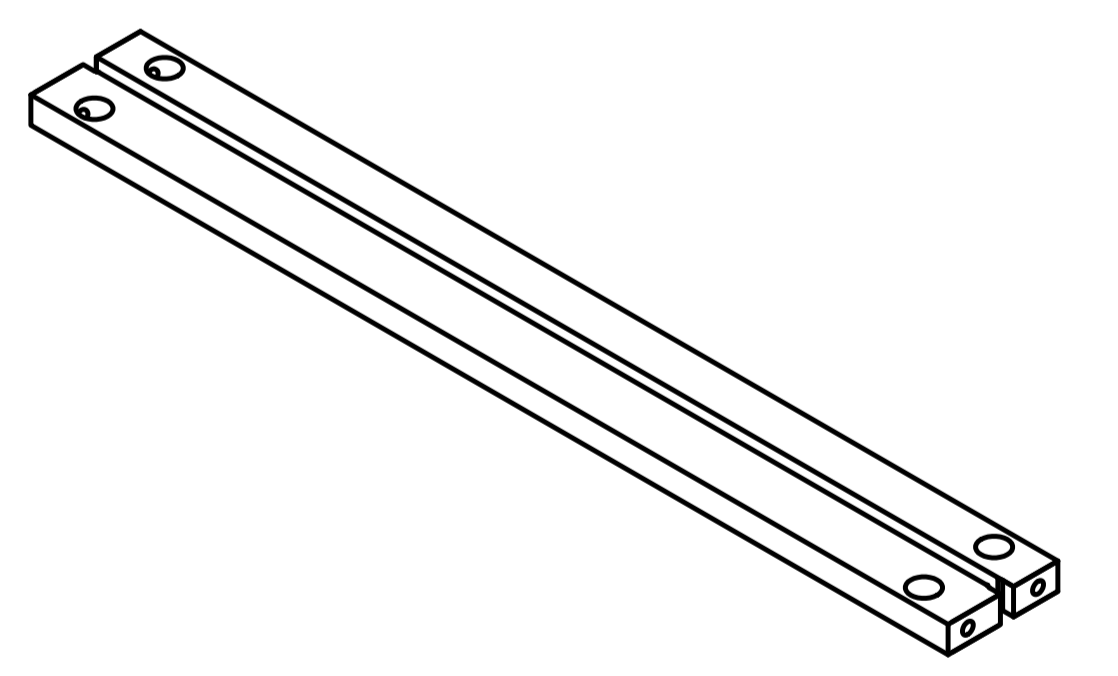
Px1



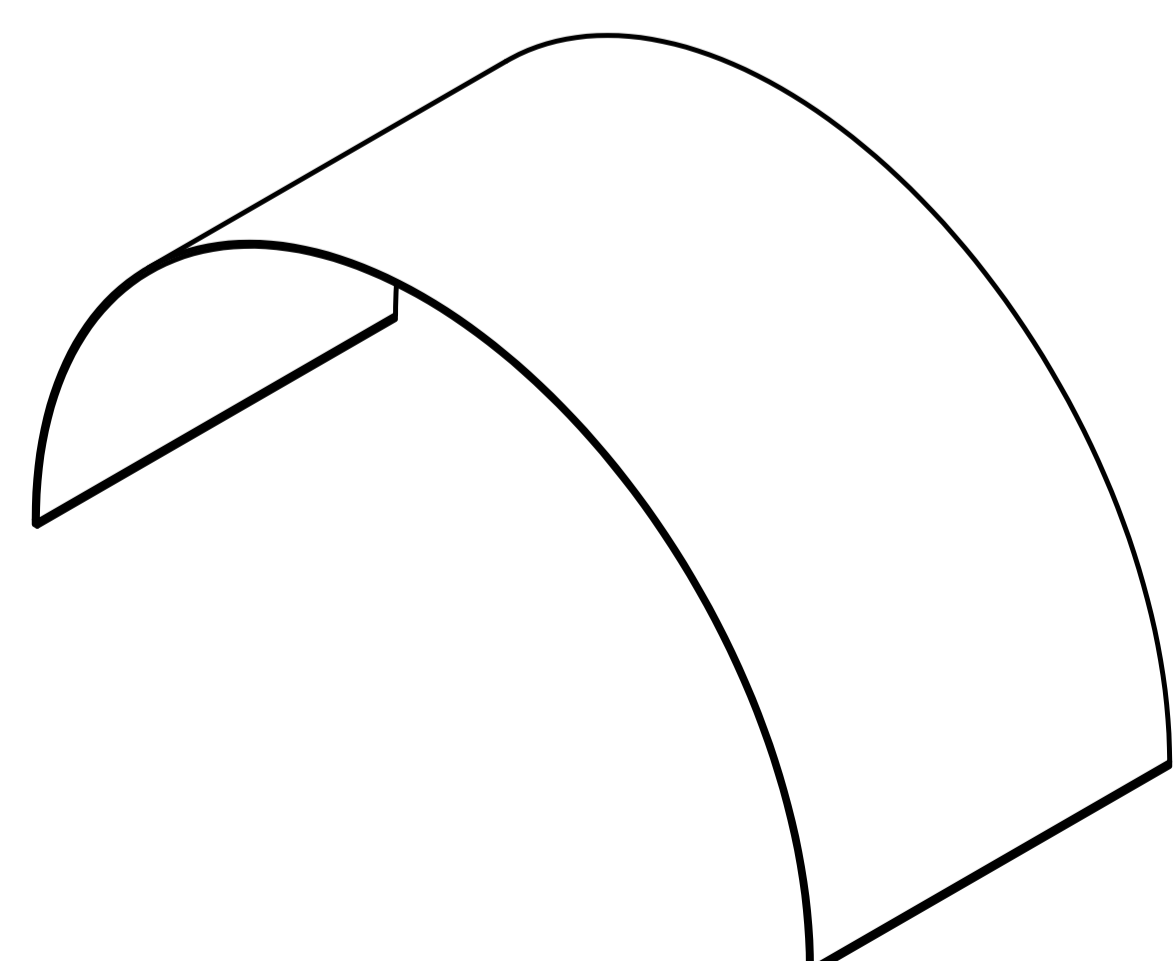
Qx2



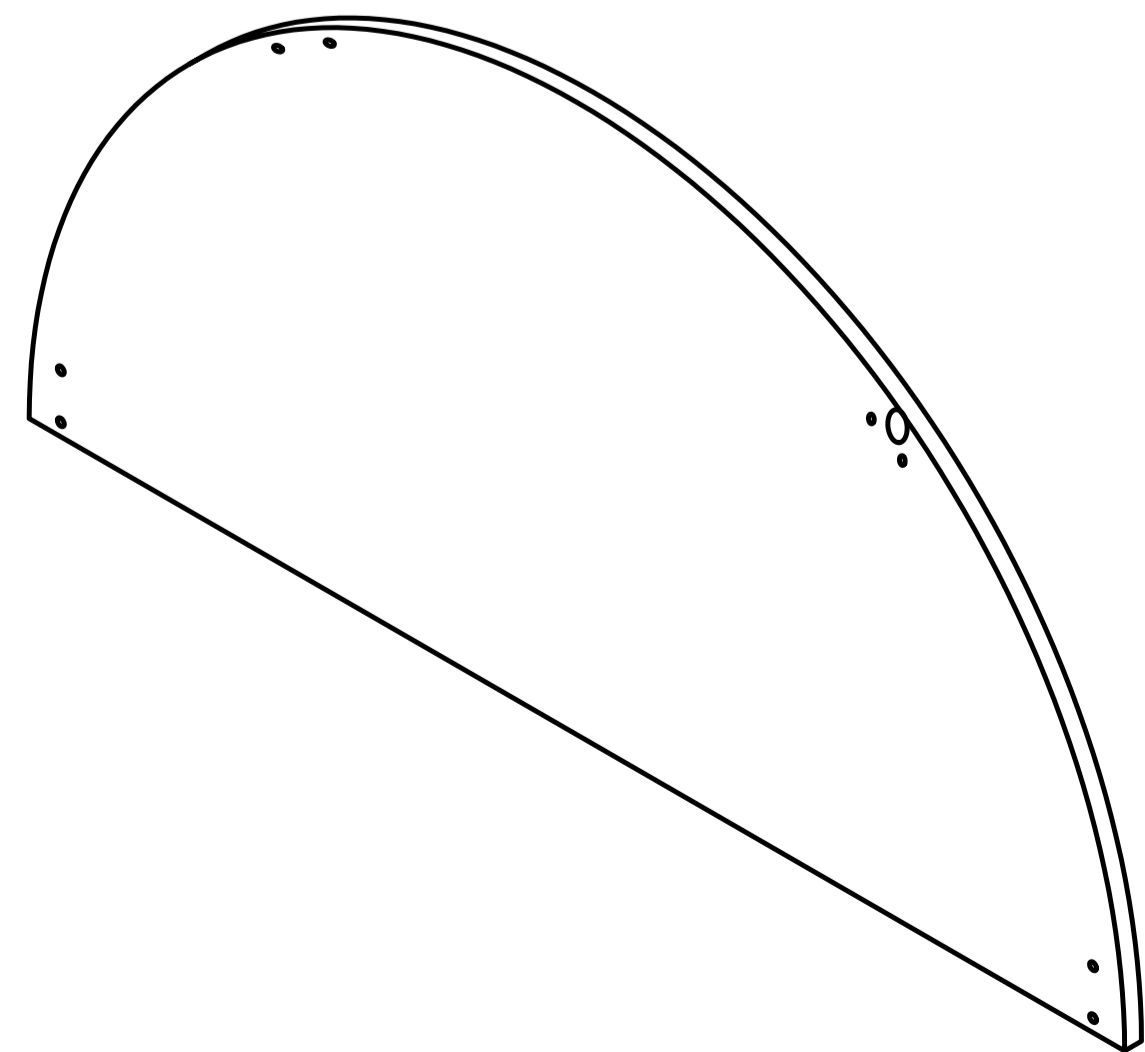
Rx1



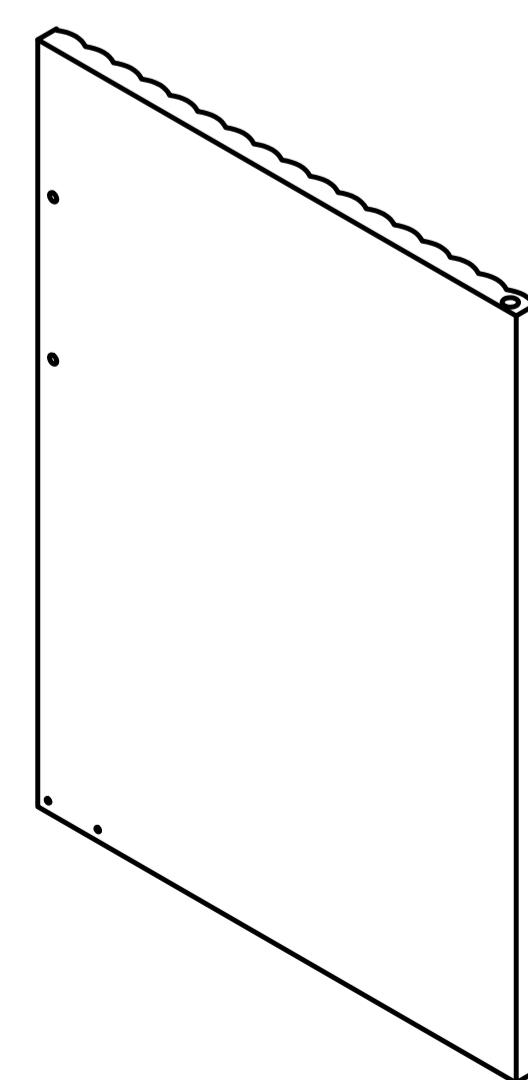
Sx1



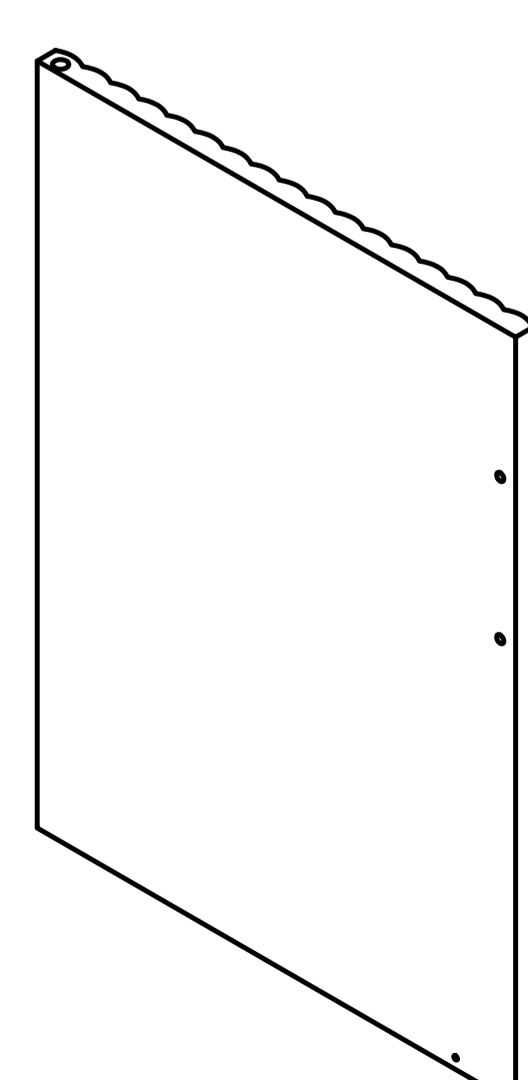
Tx1



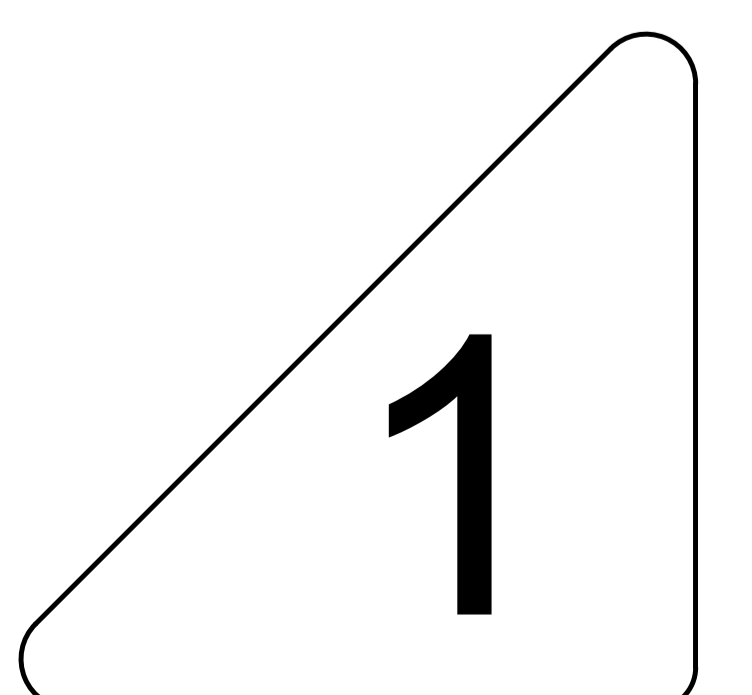
Ux1



Vx1

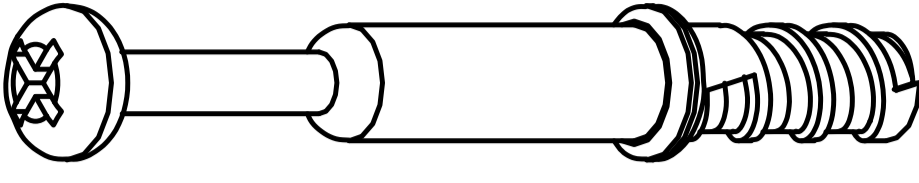
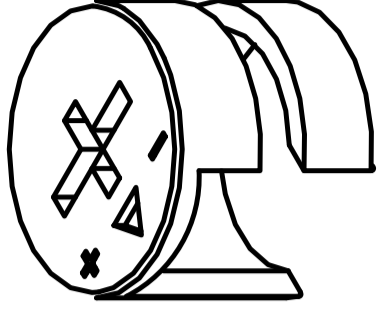

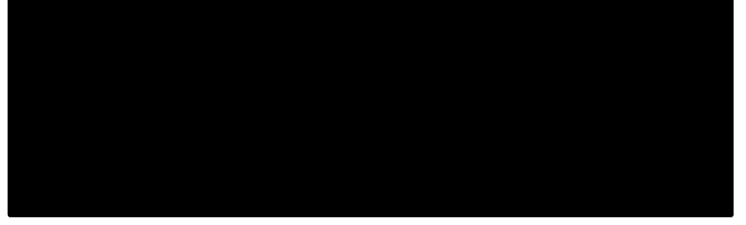
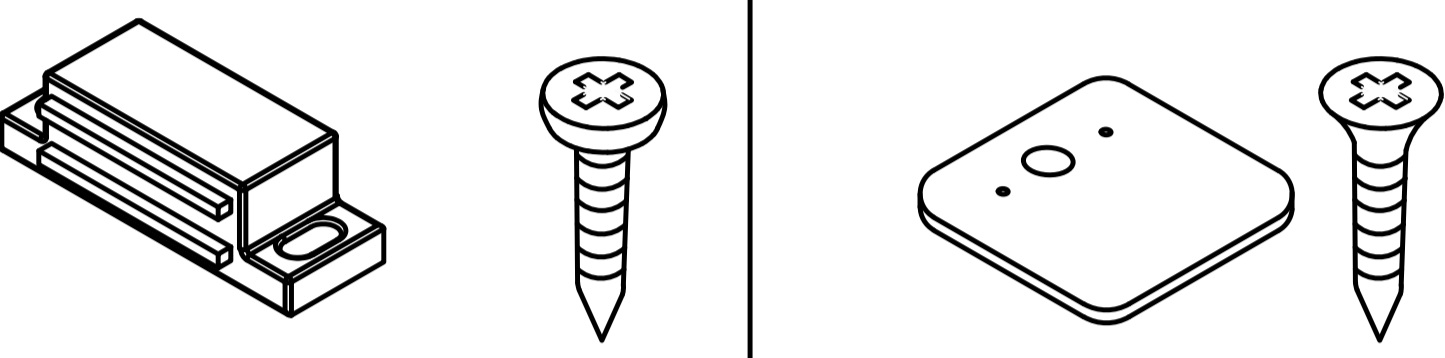
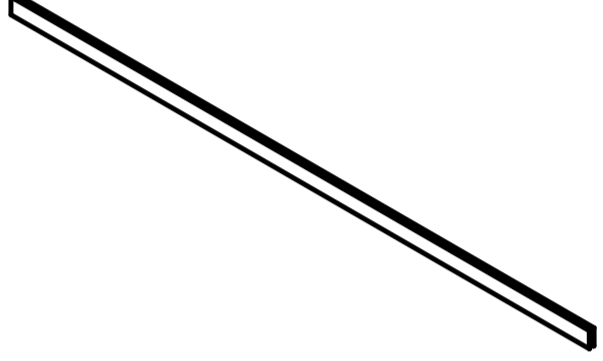

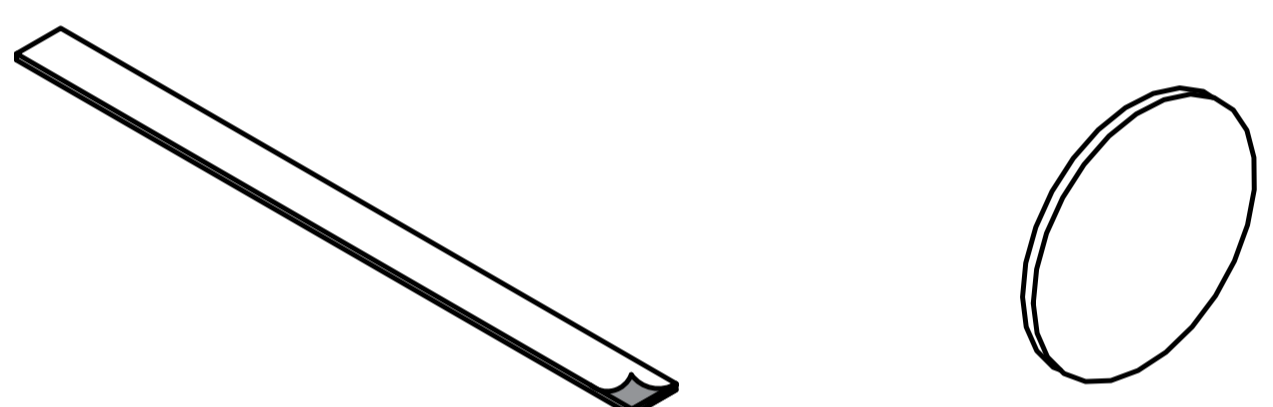
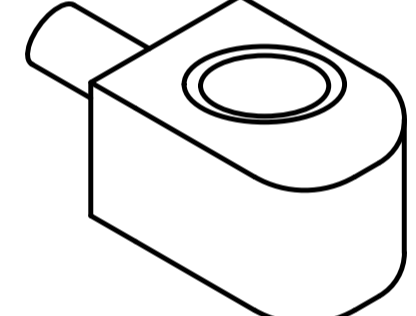
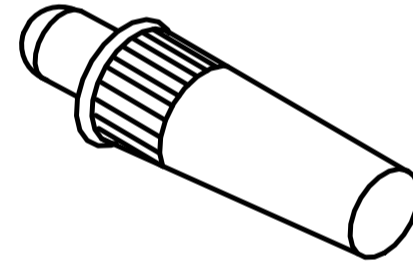
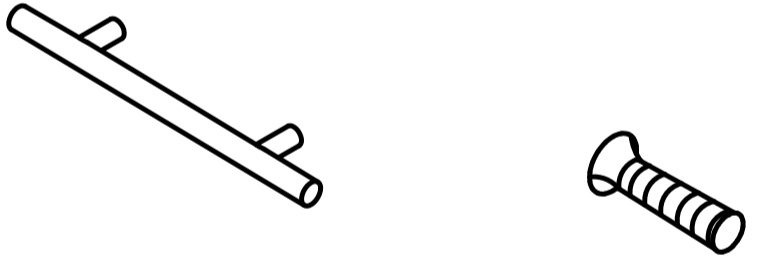
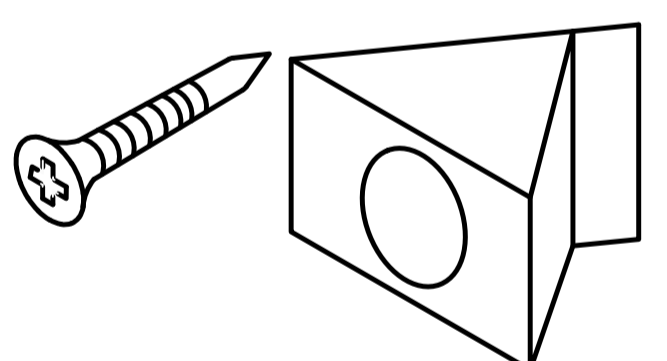
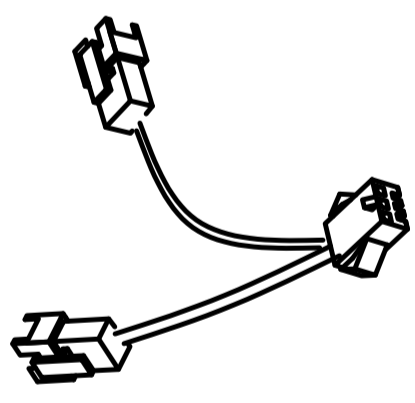
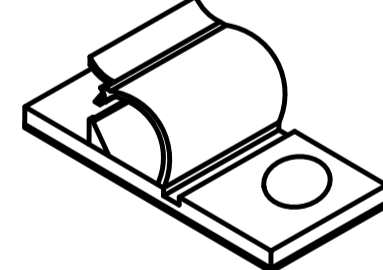
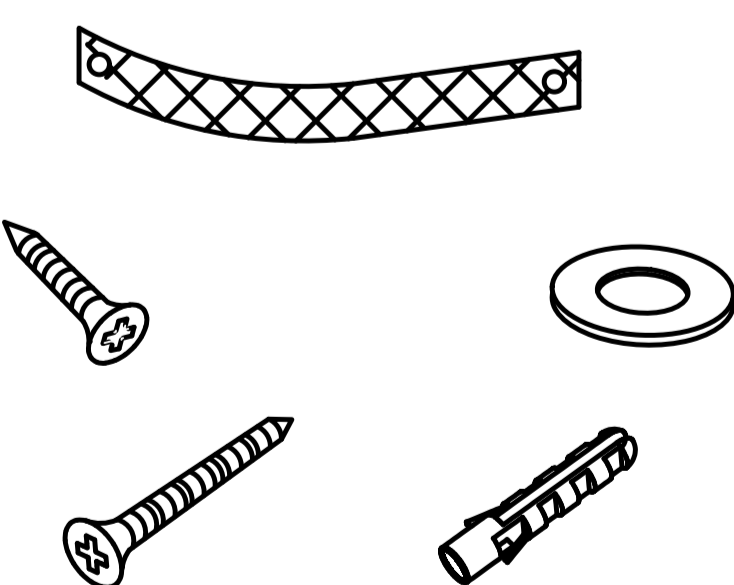
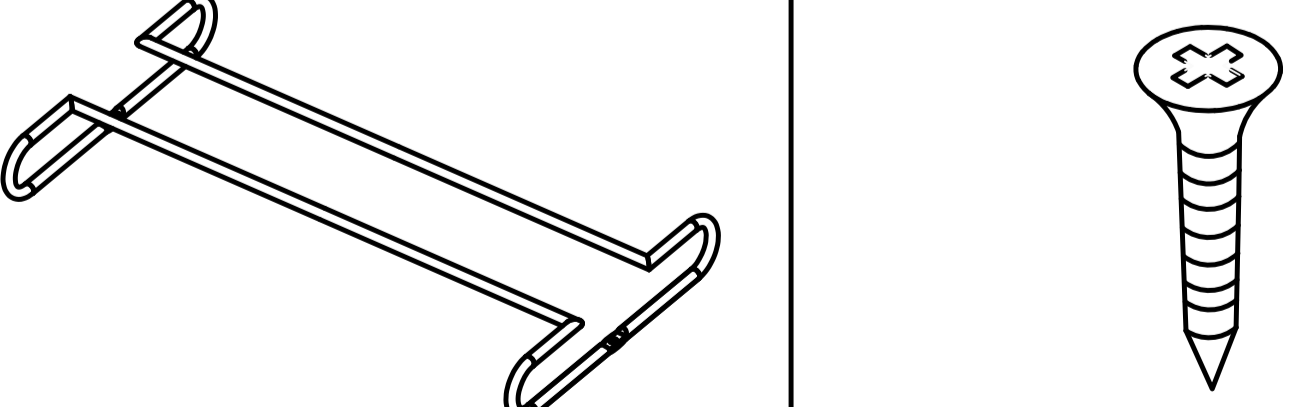
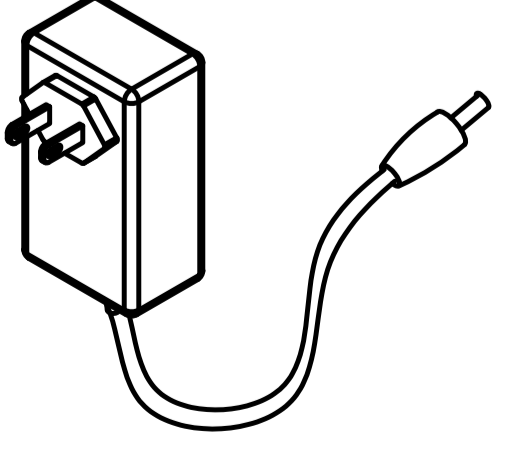
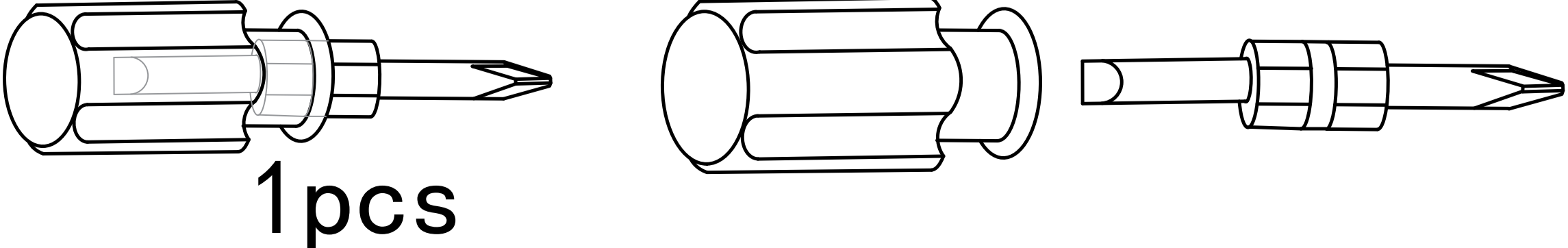


Wx1

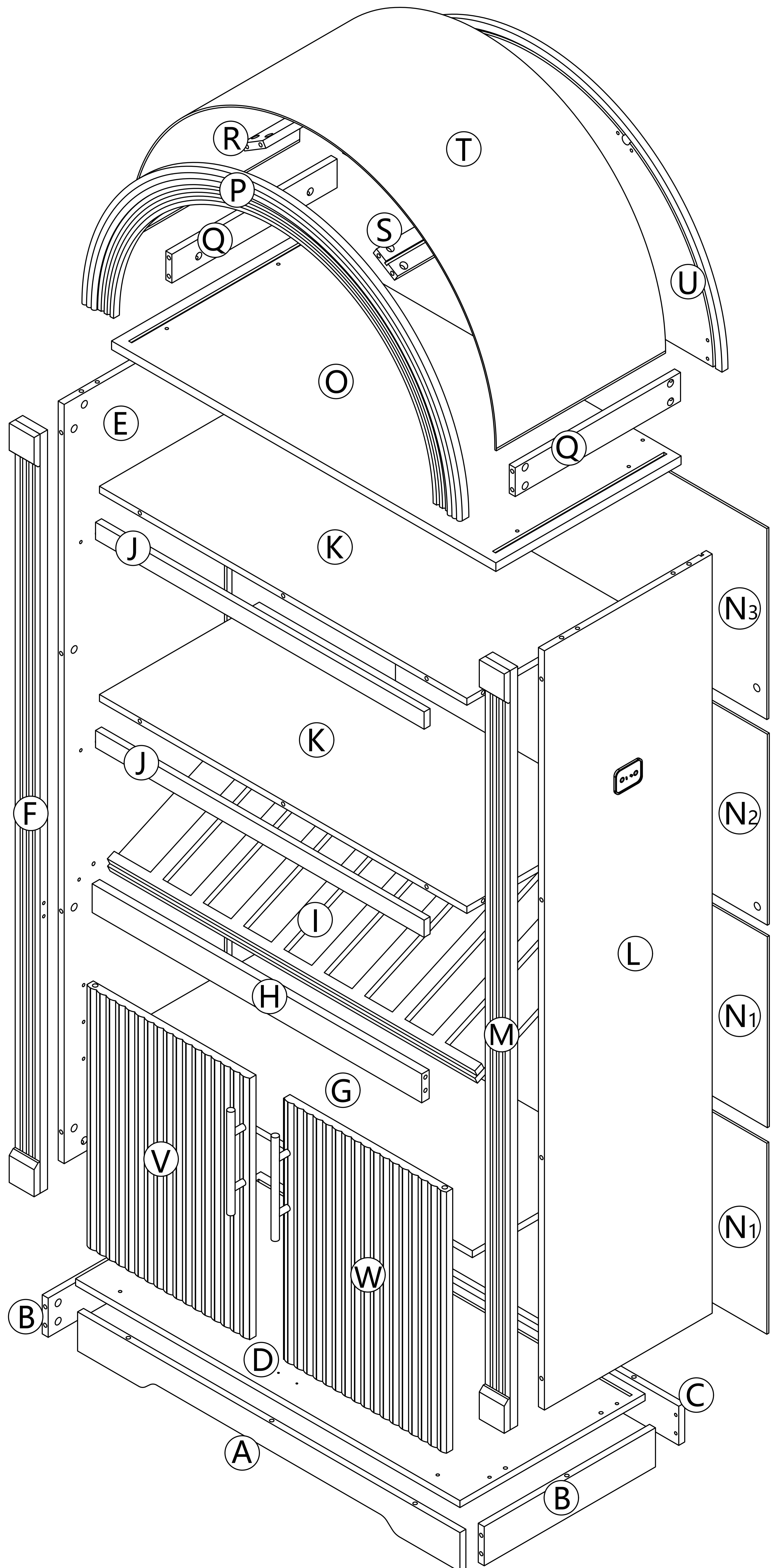


1

Accessories list

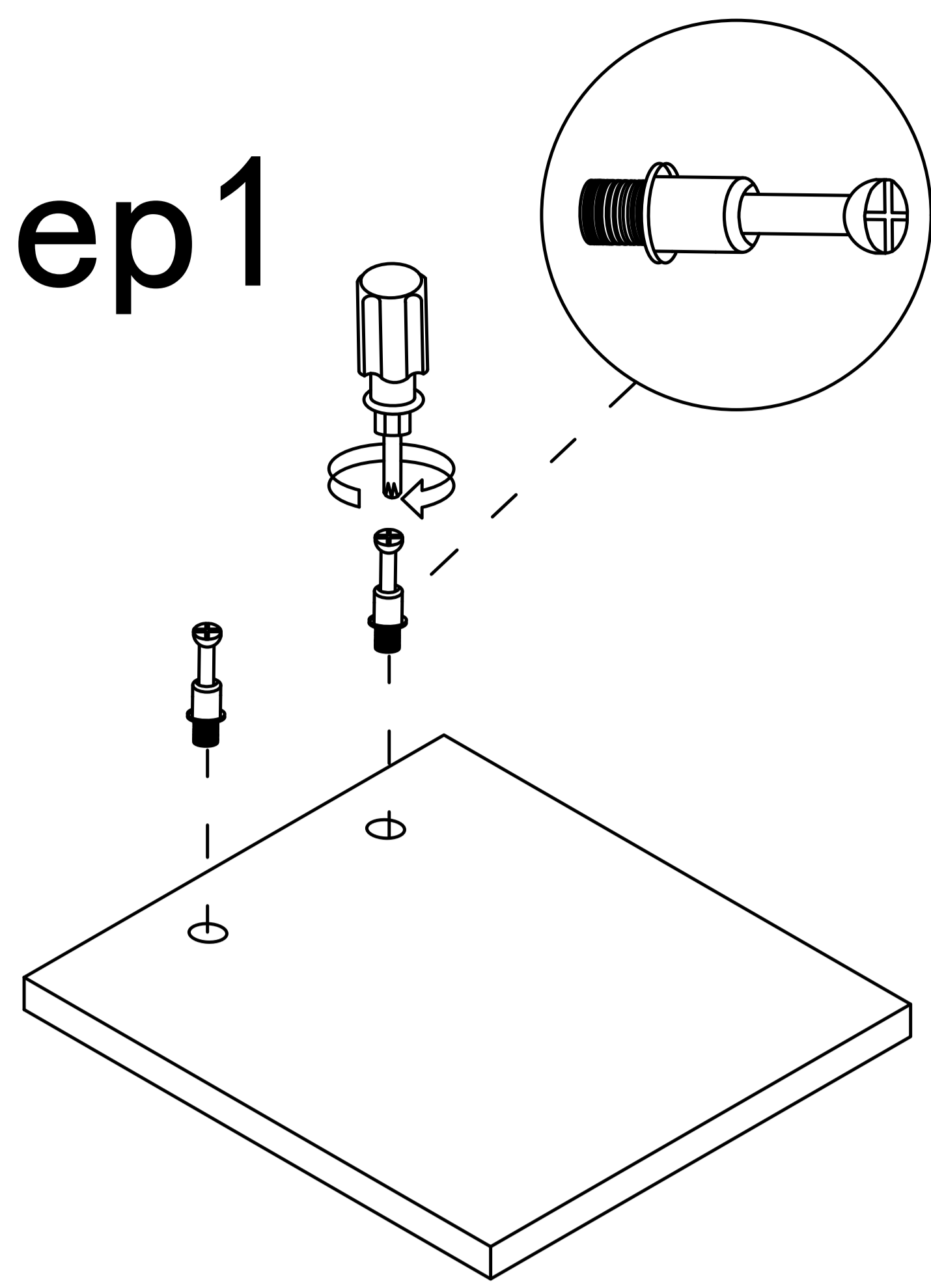
①		Two In One Screw (6x28mm)	77pcs +7pcs			
②		Two In One Nut (10x12mm)	77pcs +7pcs			
③		Wood Chipping (6x30mm)	20pcs +2pcs			
④		Non-slip pads	8pcs +2pcs			
⑤		Magnetic Attraction & Screw (3x12mm)	1pcs	2pcs +1pcs	2pcs	2pcs +1pcs
⑥		Backboard card strip	3pcs			
⑦		Wire	1pcs			
⑧		Sticker (Ø20mm)	1pcs	4pcs +2pcs		
⑨		Shelf support	4pcs +1pcs			
⑩		Door shaft	4pcs			
⑪		Handle & screw (4x22mm)	2pcs	4pcs +2pcs		
⑫		Fixing clip & screw (3x16mm)	12pcs +2pcs			
⑬		Forked line	2pcs			
⑭		Wire Clamp	3pcs +1pcs			
⑮		anti-tipping tape Screw & gasket (3.5x12mm) Screw (4x45mm)	1pcs			
			1pcs	2pcs		
			1pcs	1pcs		
⑯		Wine glass hanger & Screw (3x16mm)	4pcs	8pcs +2pcs		
		AC/DC Adapter(12V 3.0A) 1pcs	Double-head screwdriver, use as required			
				1pcs		

Product structure decomposition

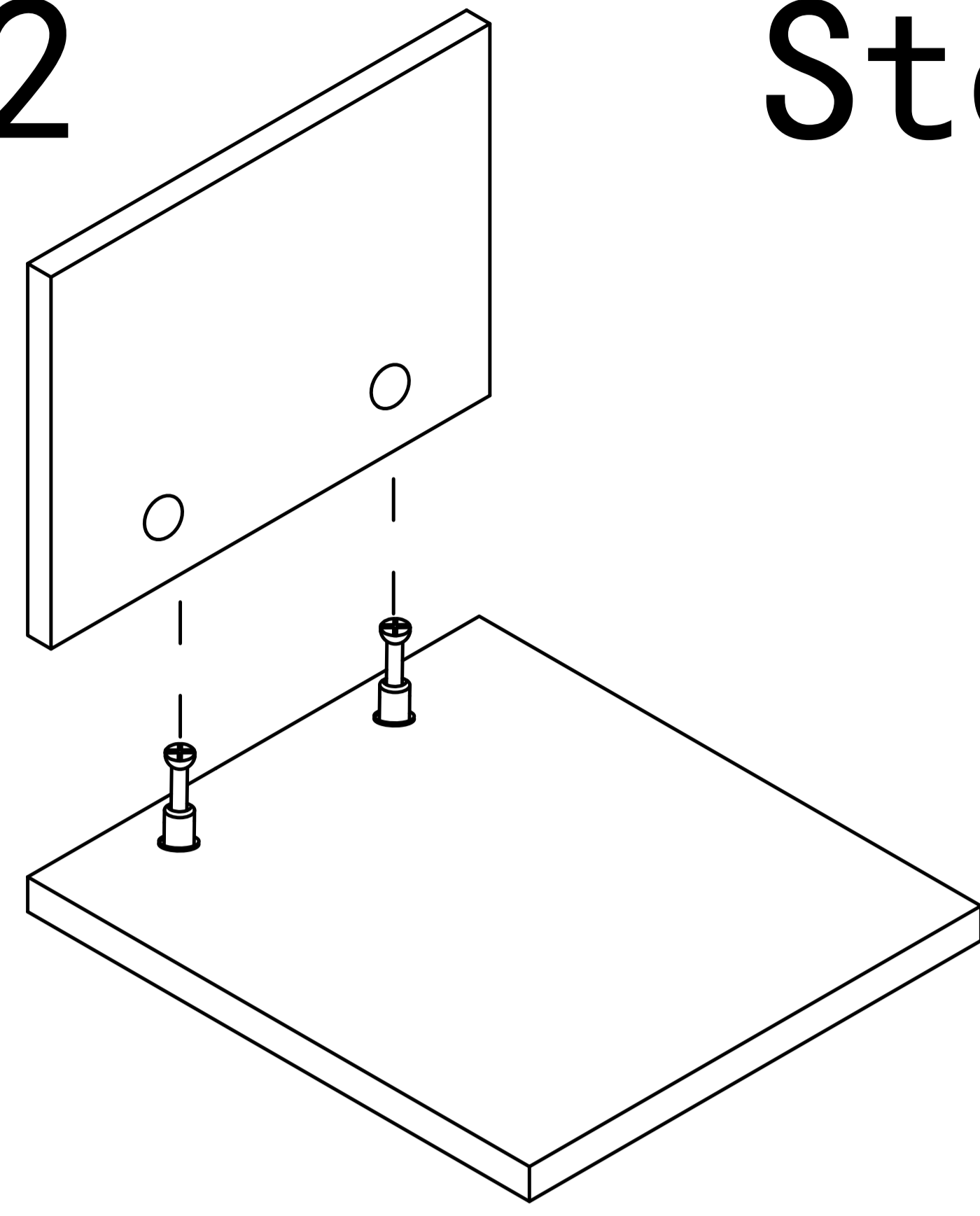


Screw installation method

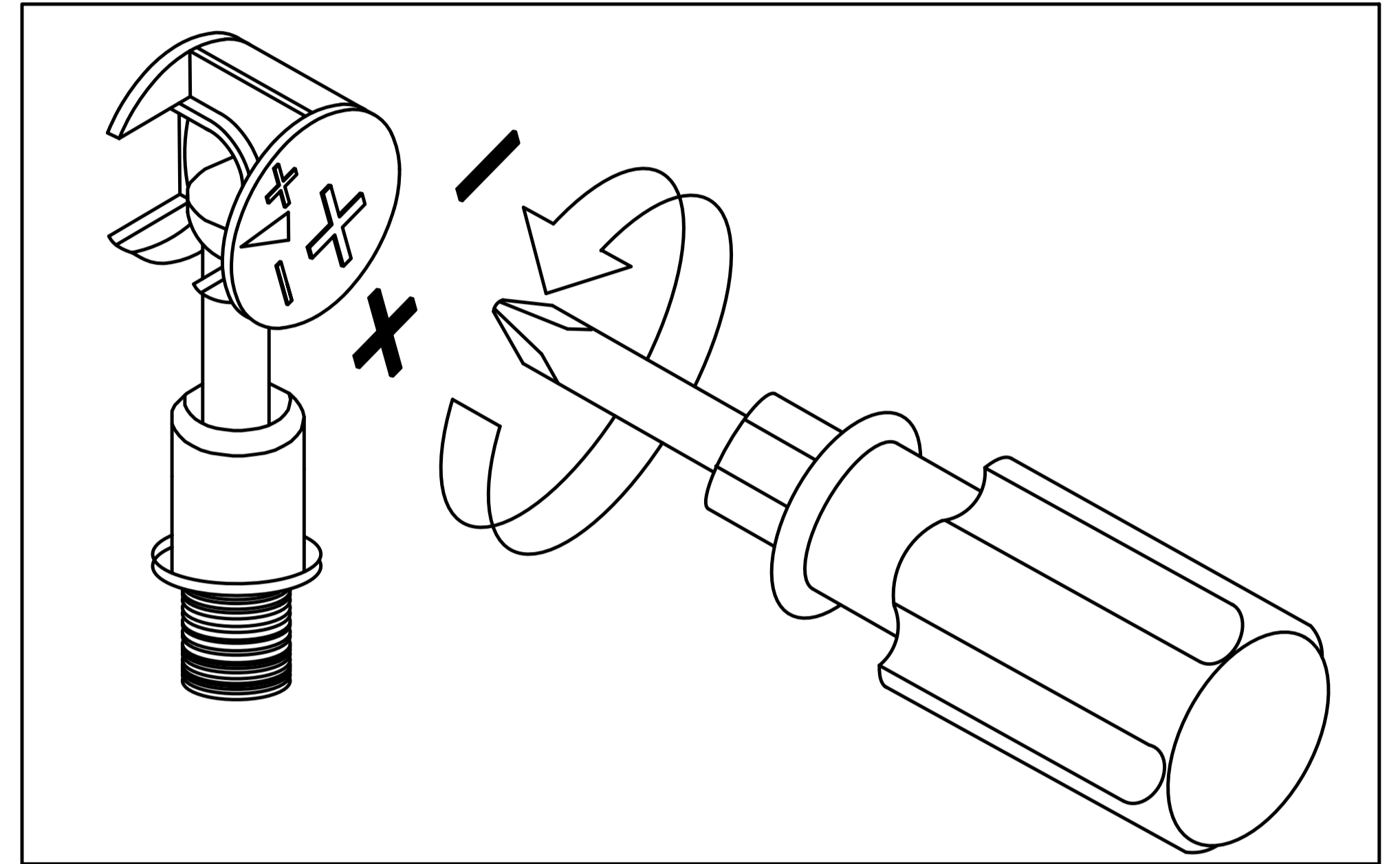
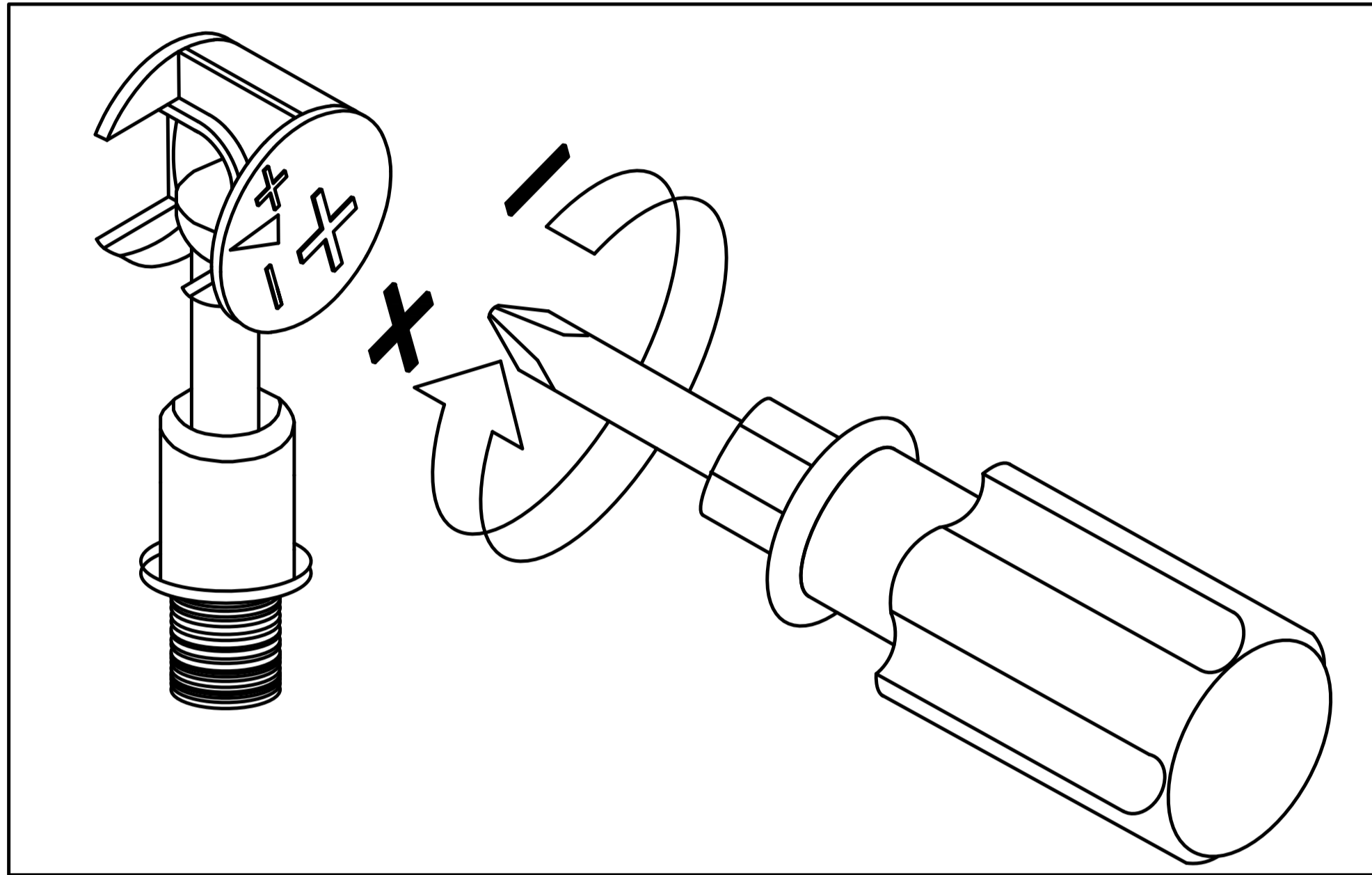
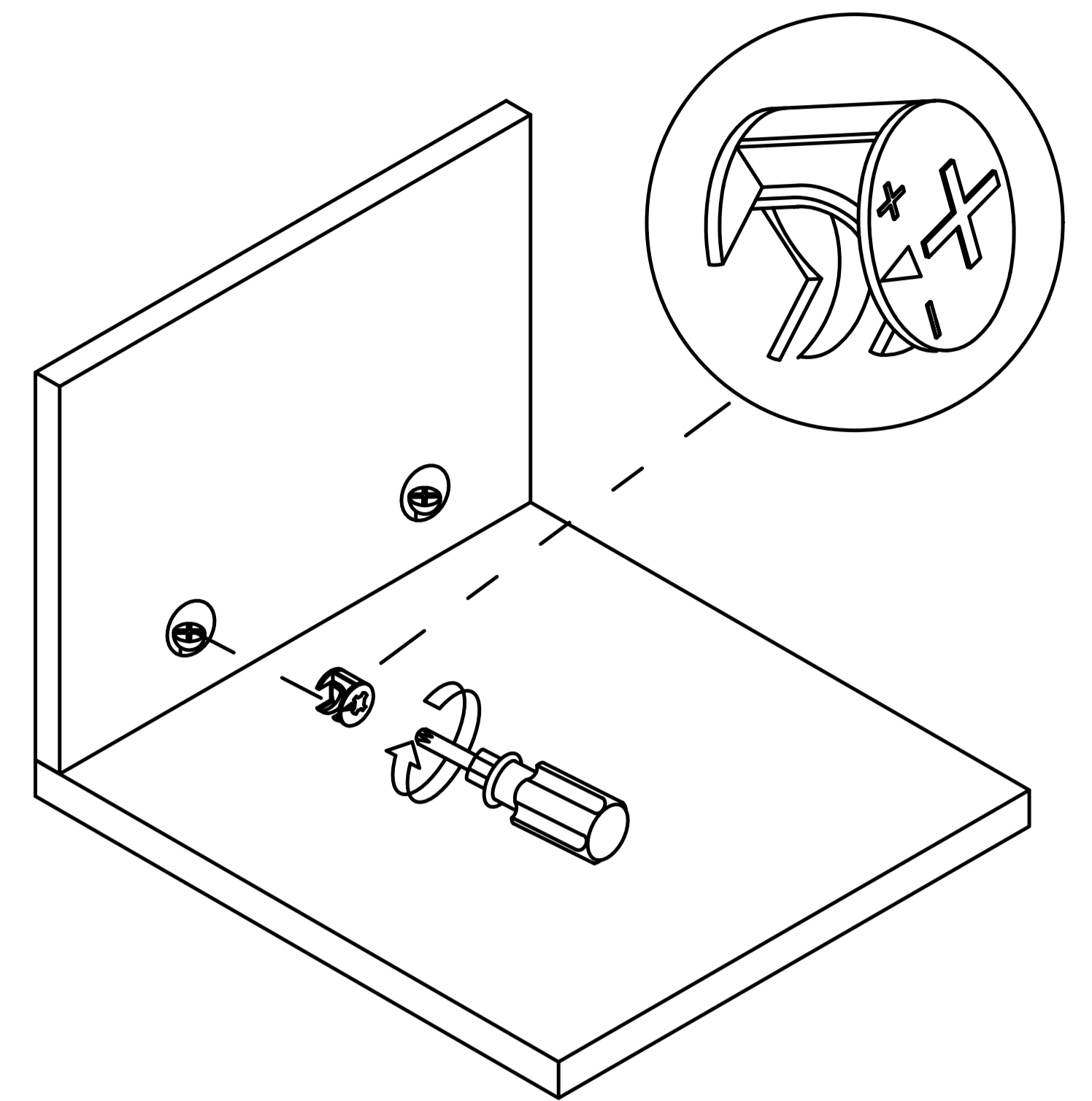
Step 1



Step 2



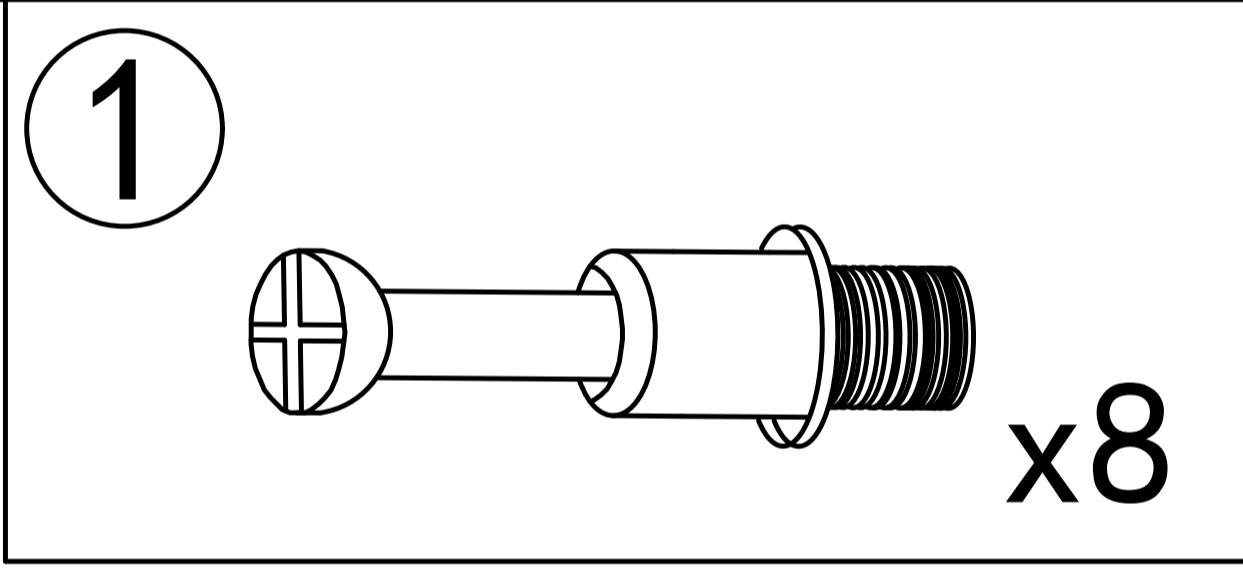
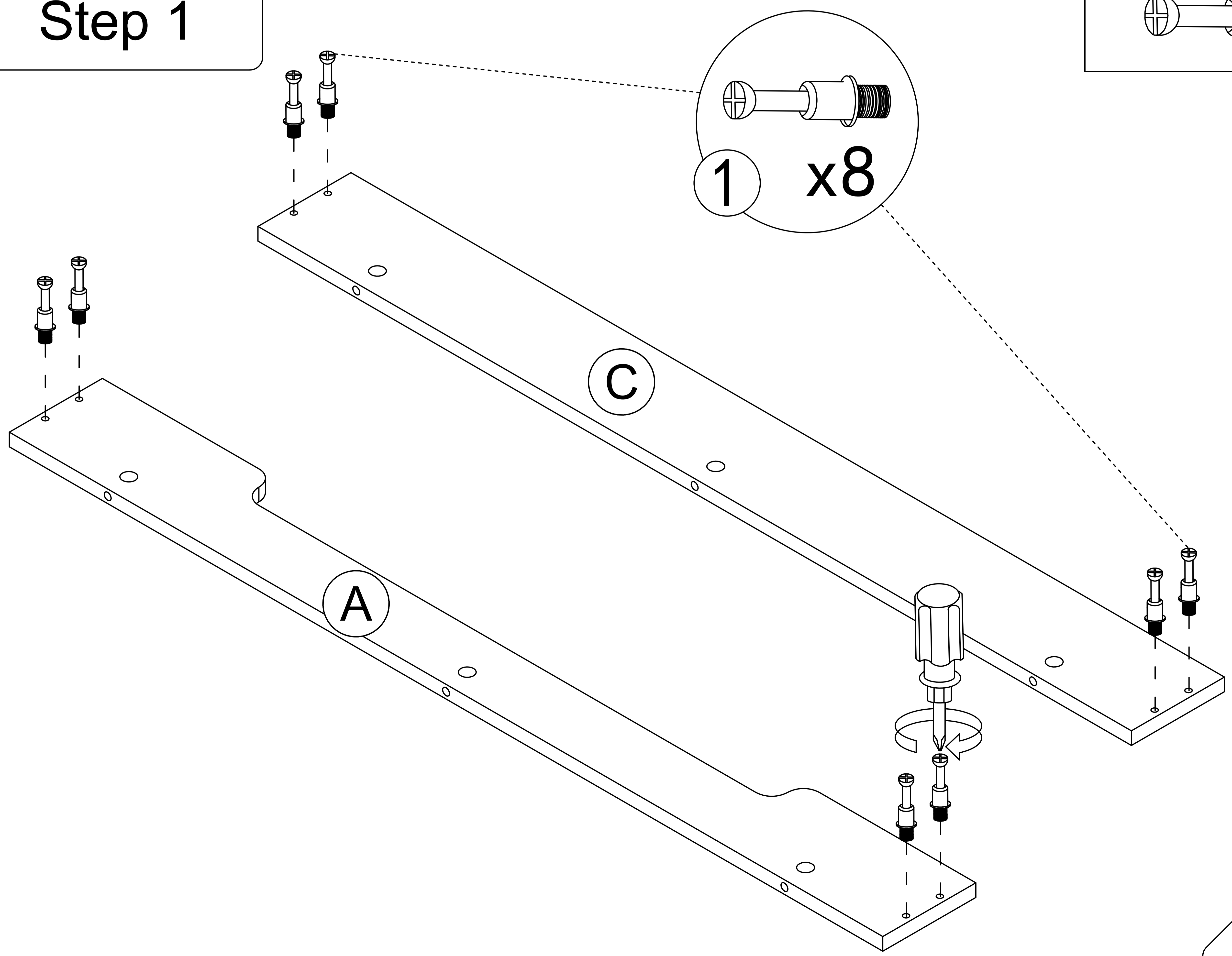
Step 3



Use a screwdriver to lock in the direction of the "+" sign

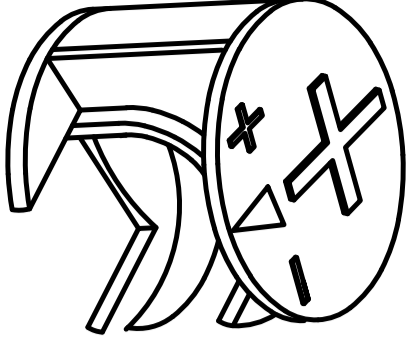
Disassemble along the direction of "-" sign

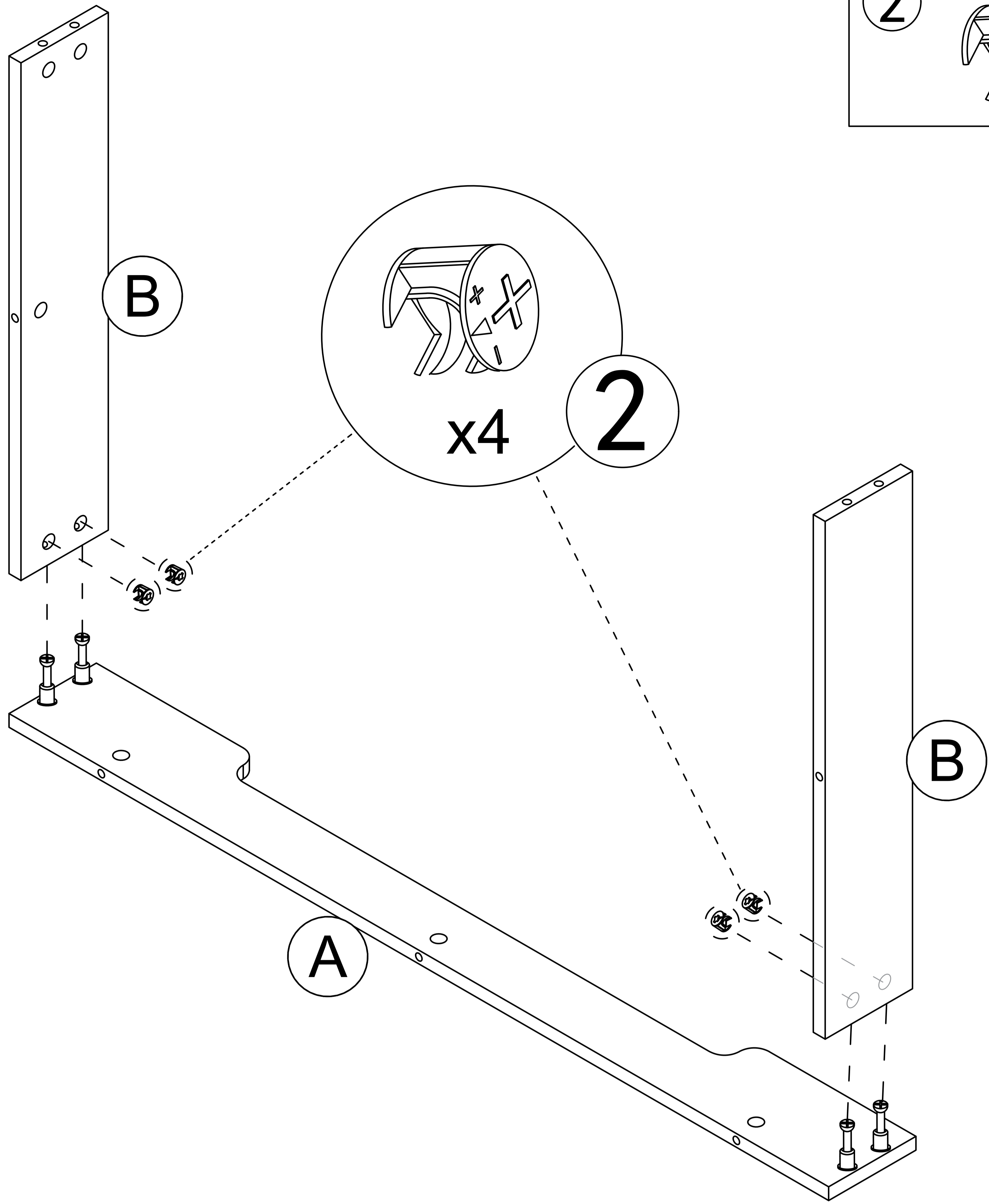
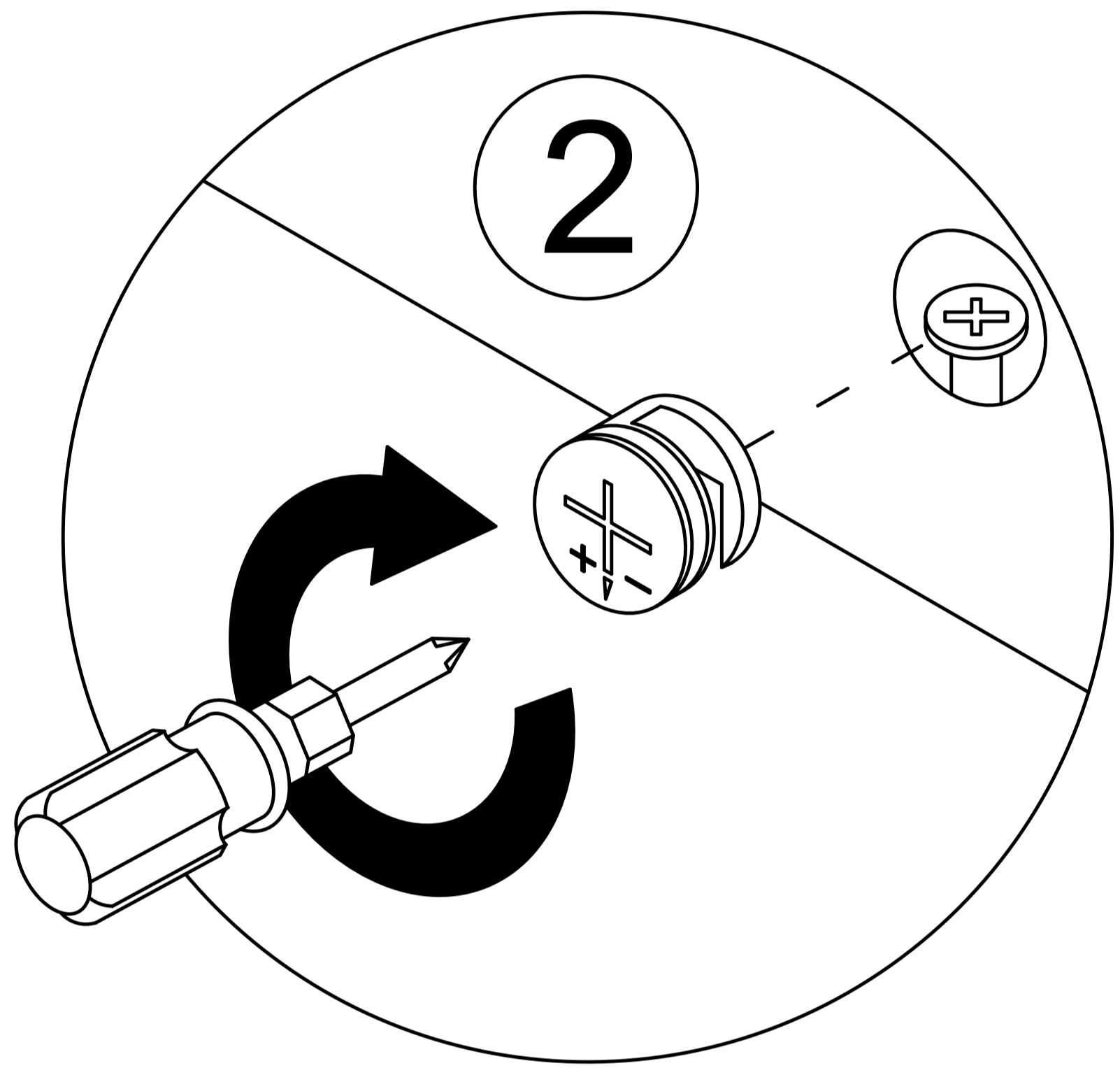
Step 1



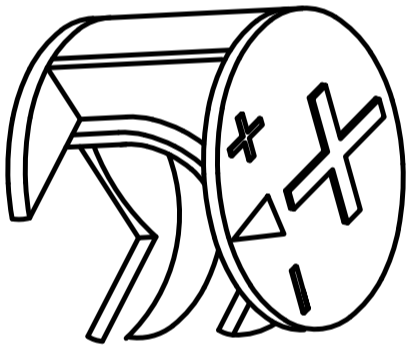
4

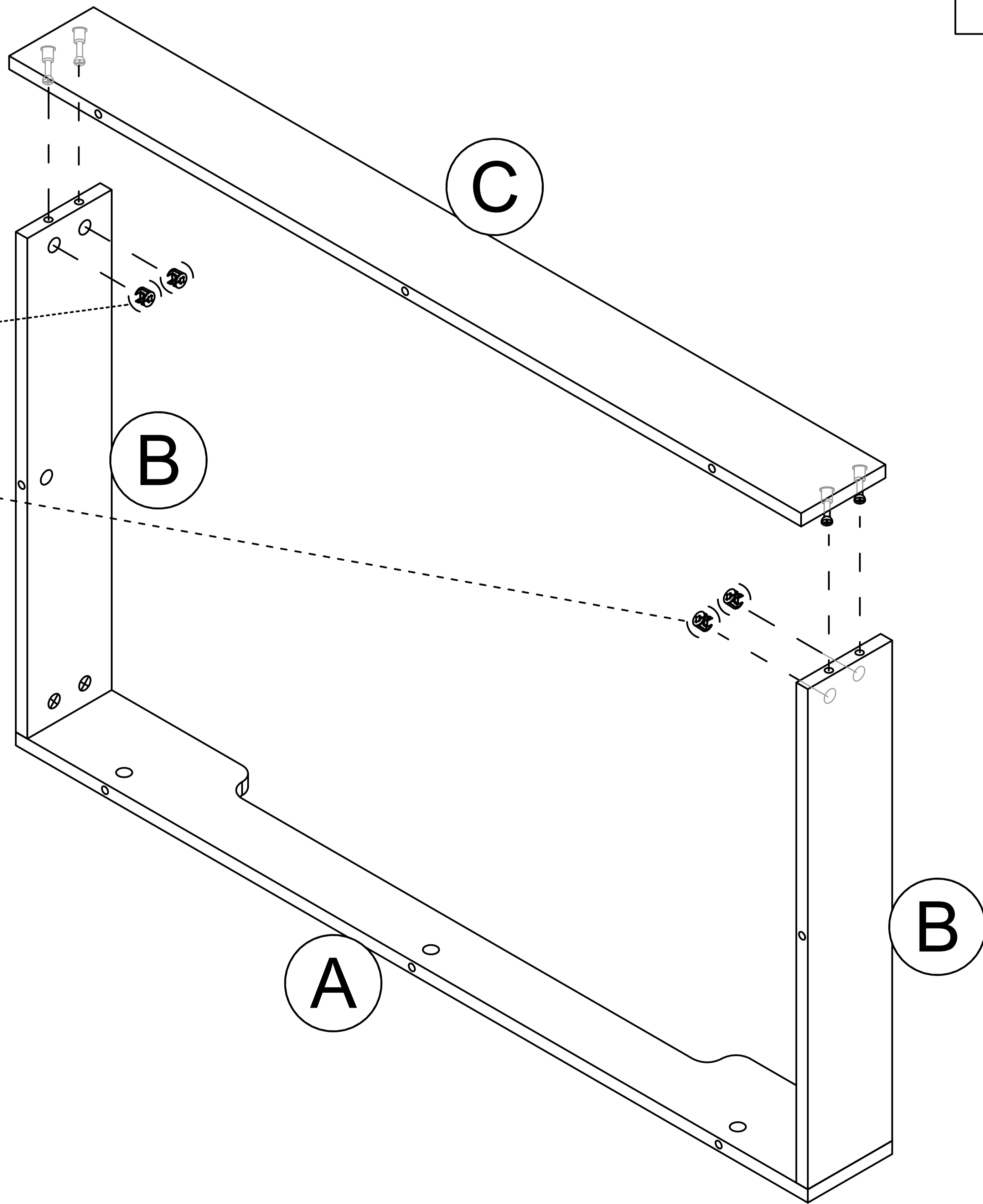
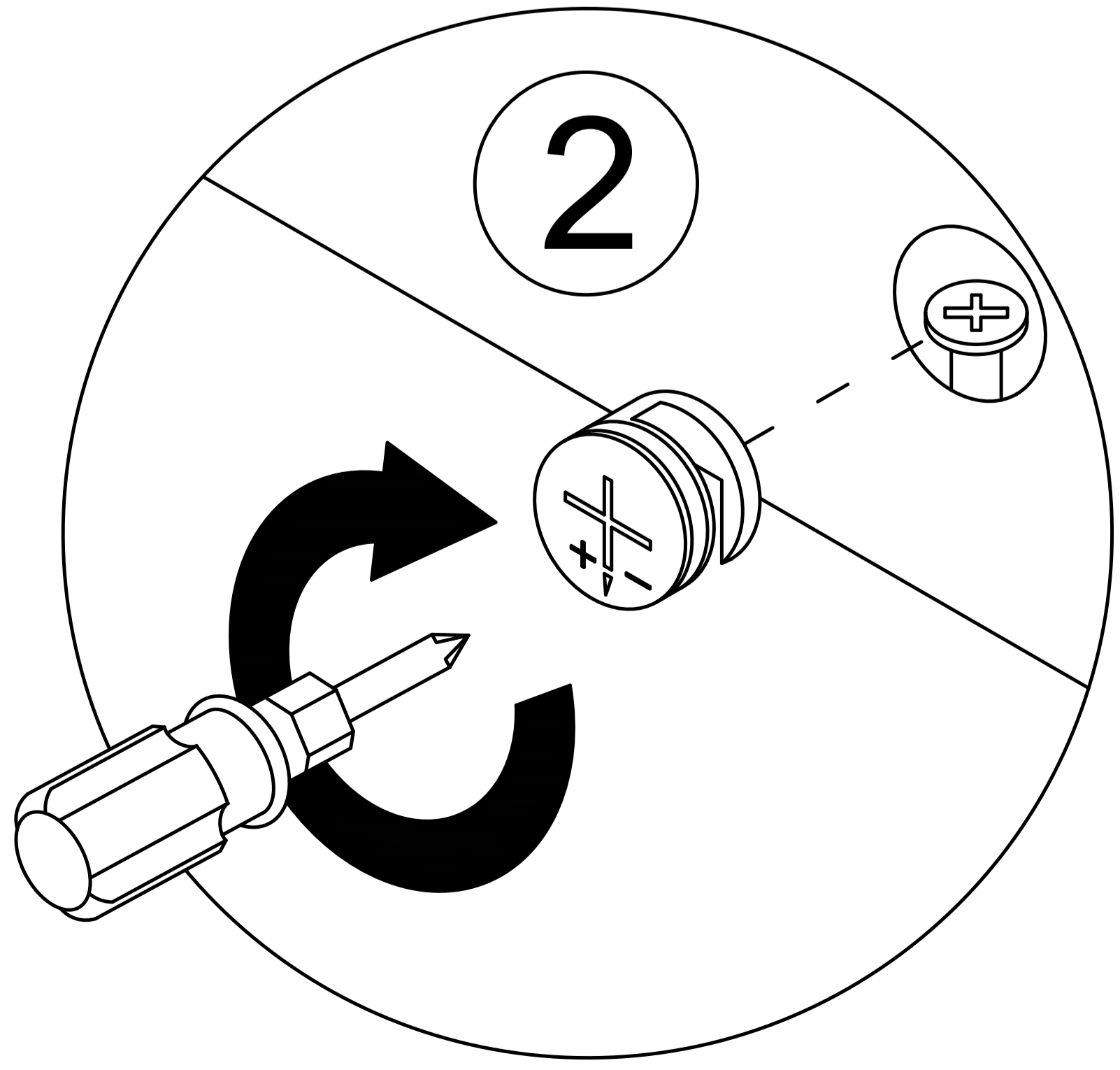
Step 2

2  x4

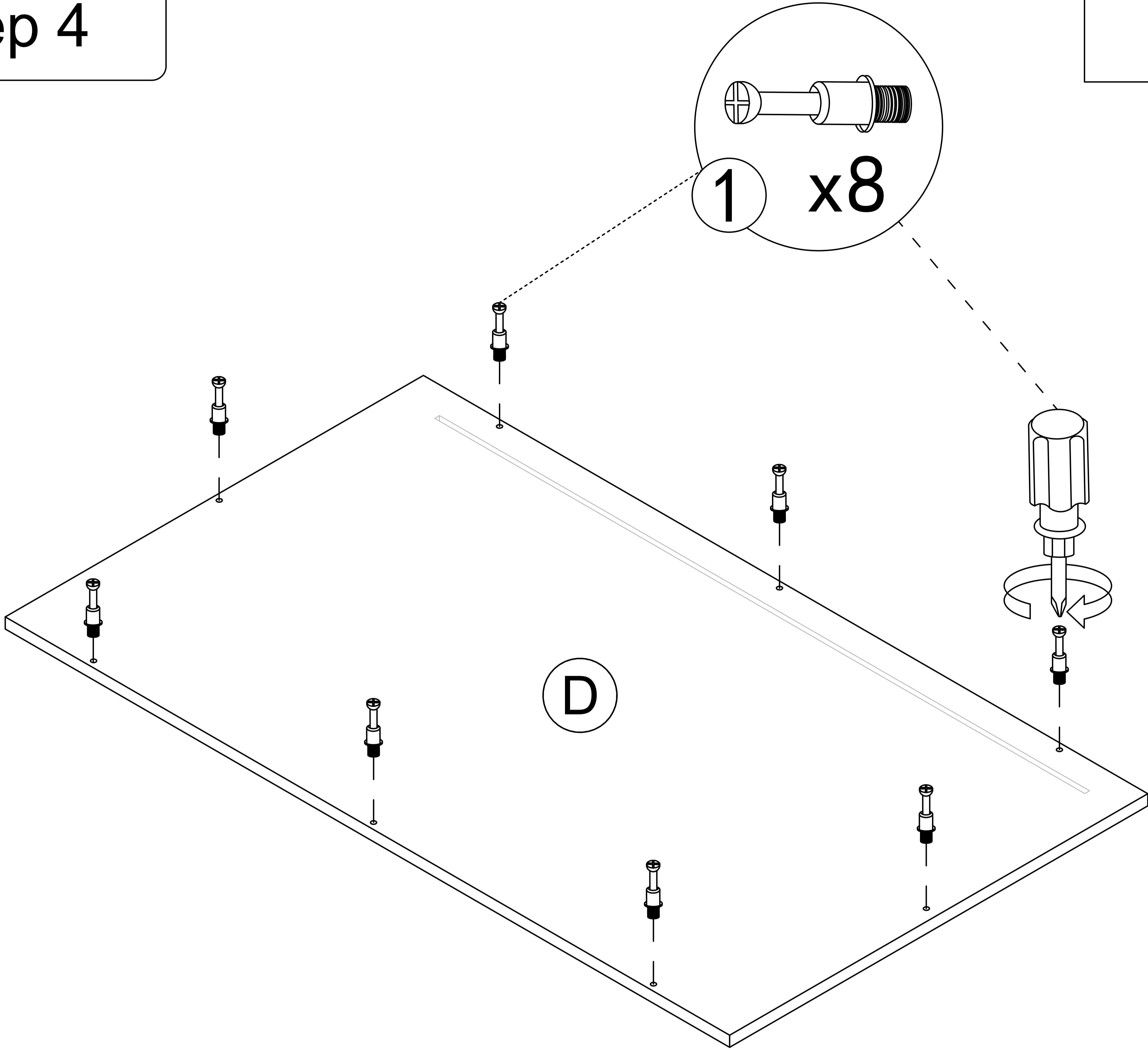
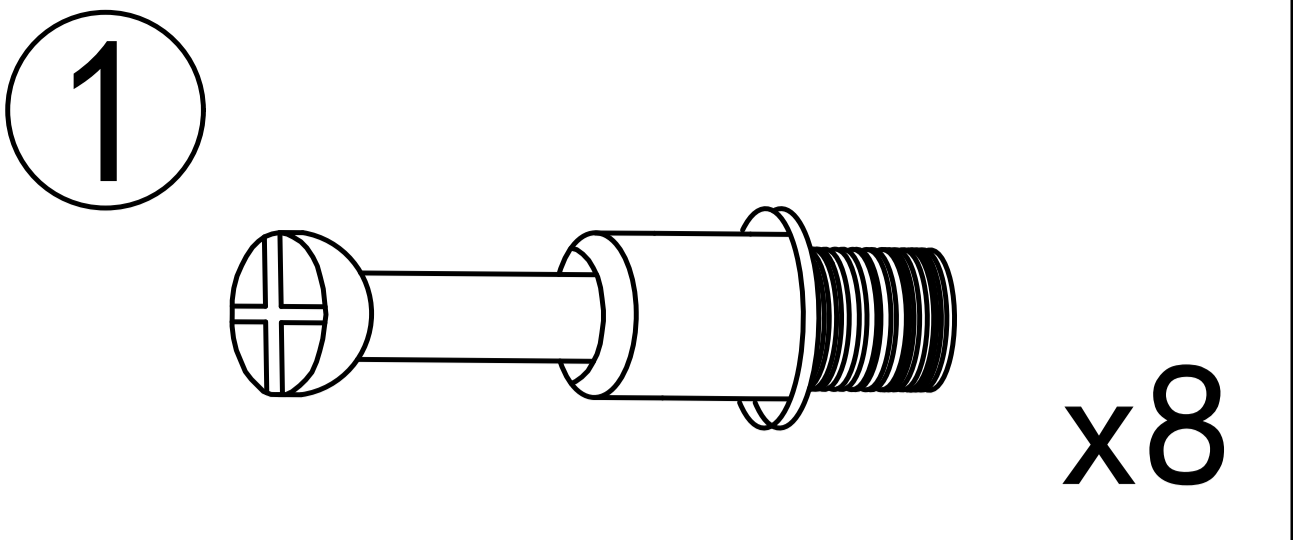


Step 3

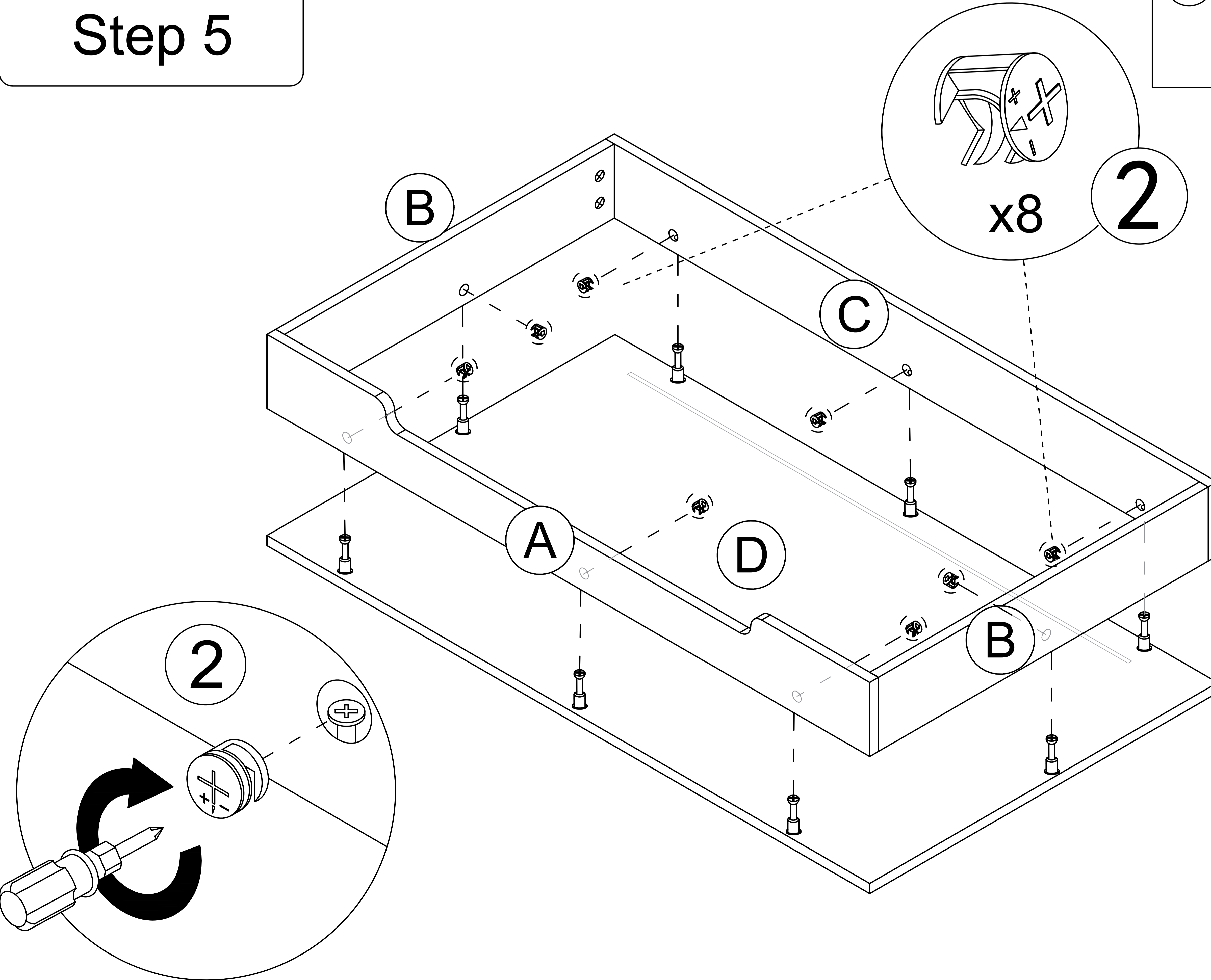
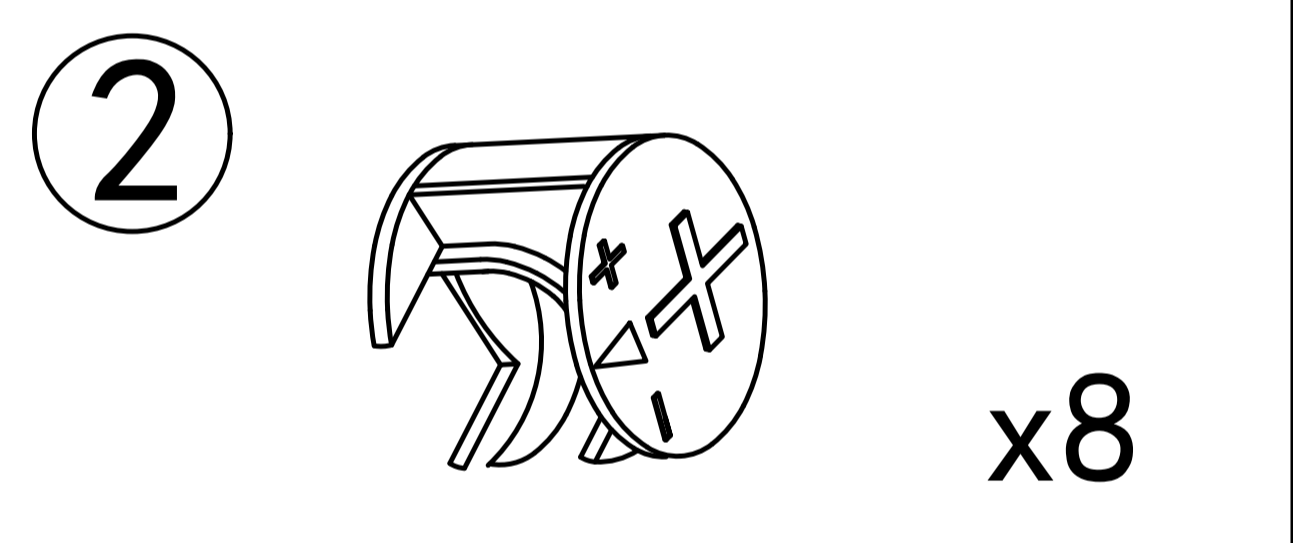
2  x4




Step 4

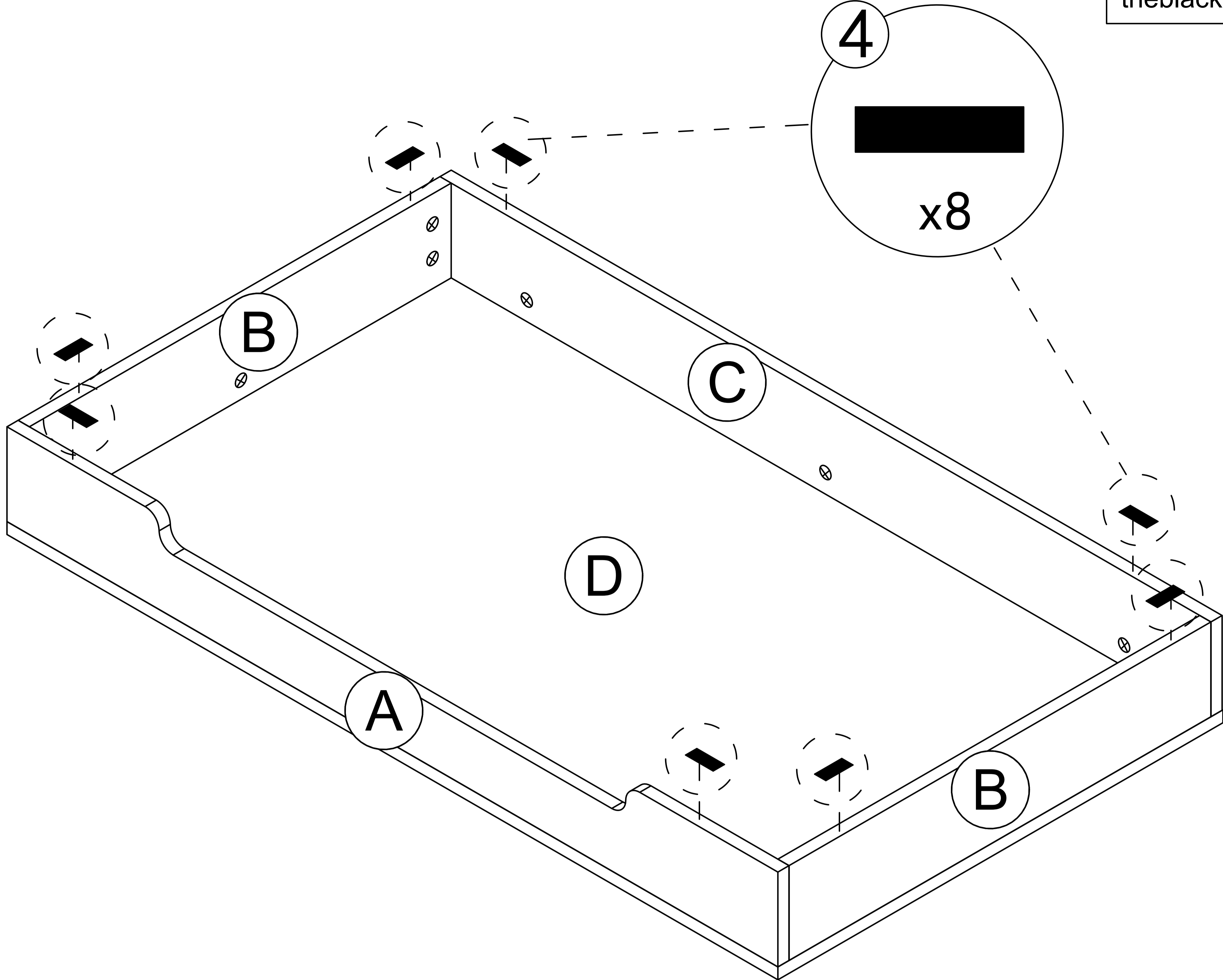


Step 5

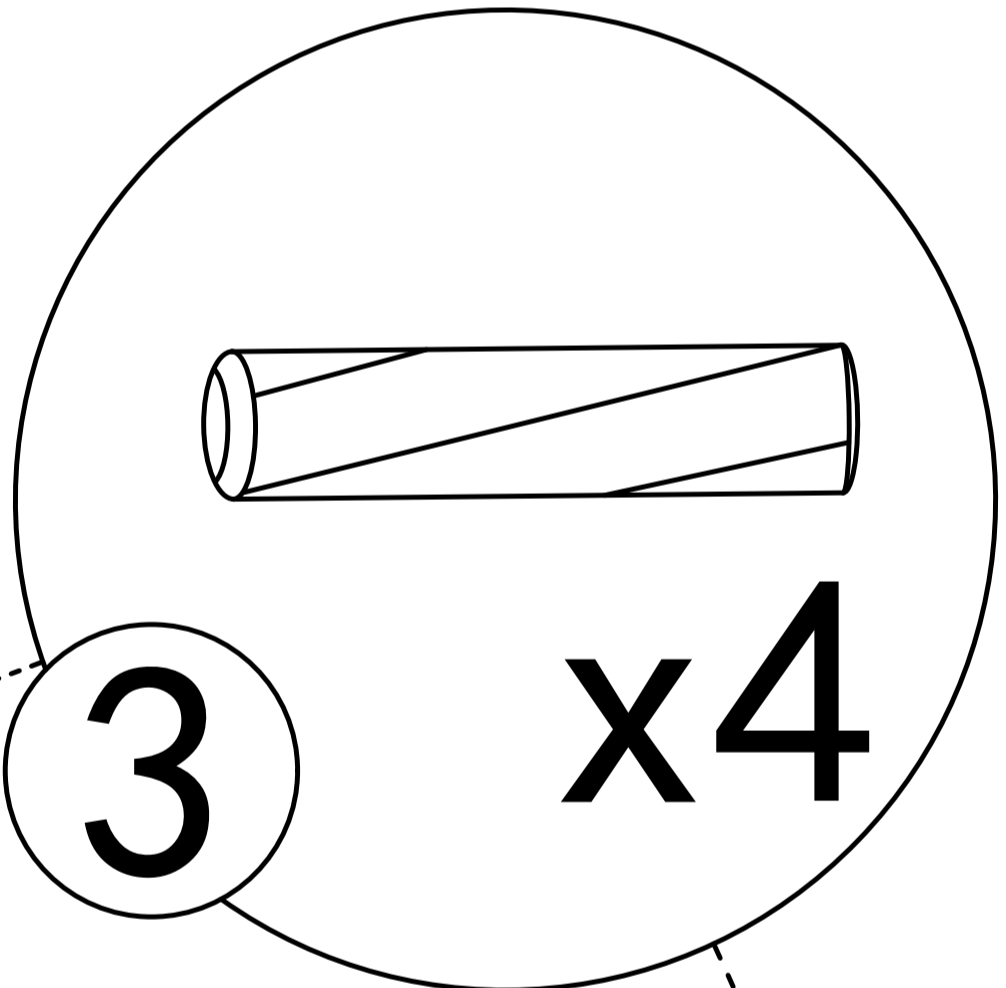
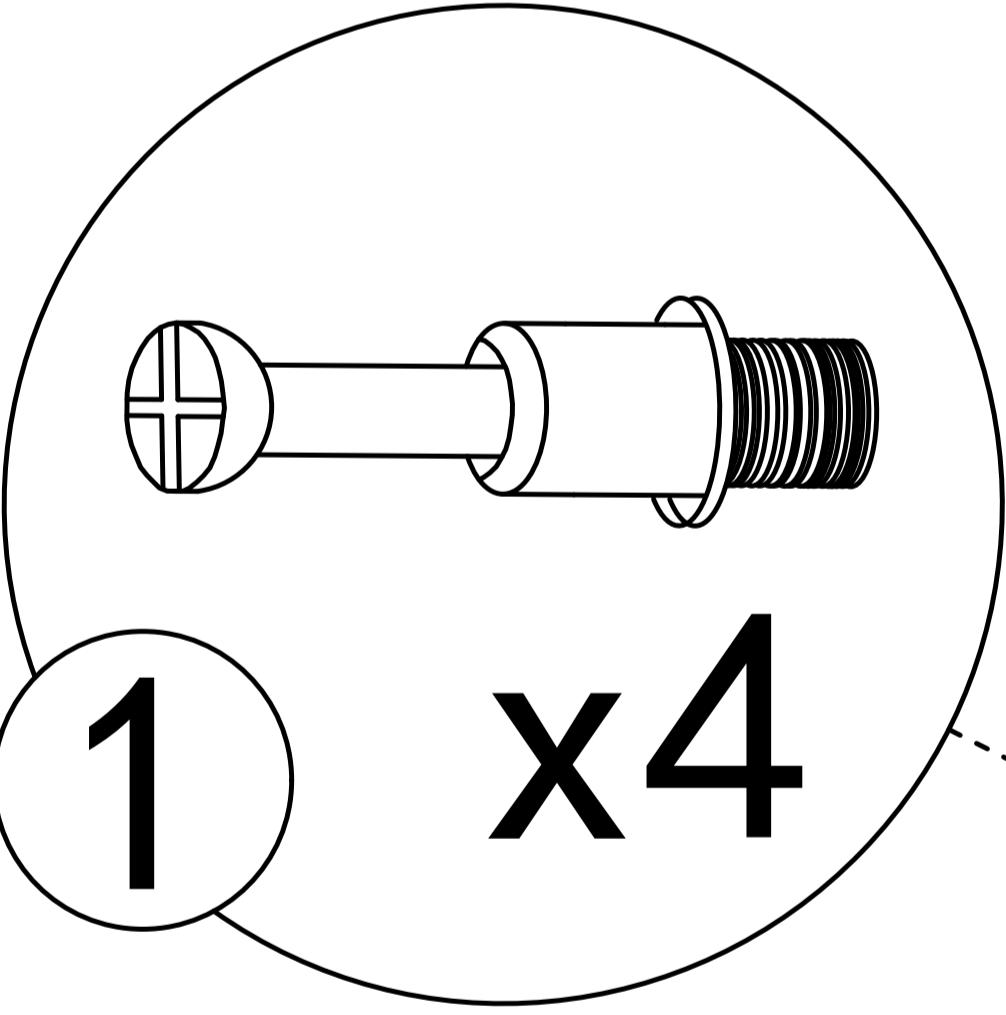


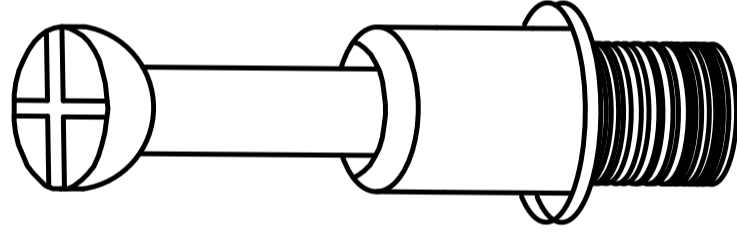
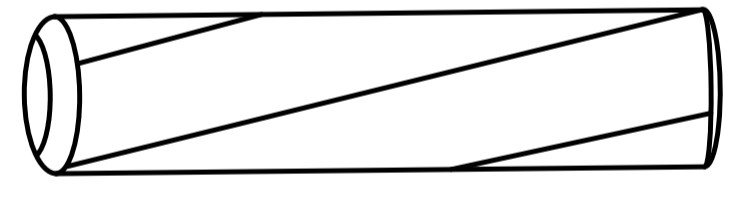
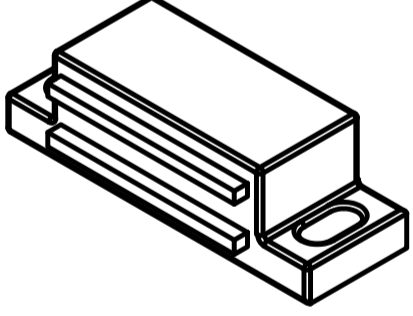
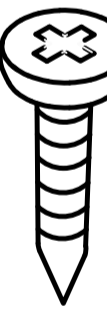
Step 6

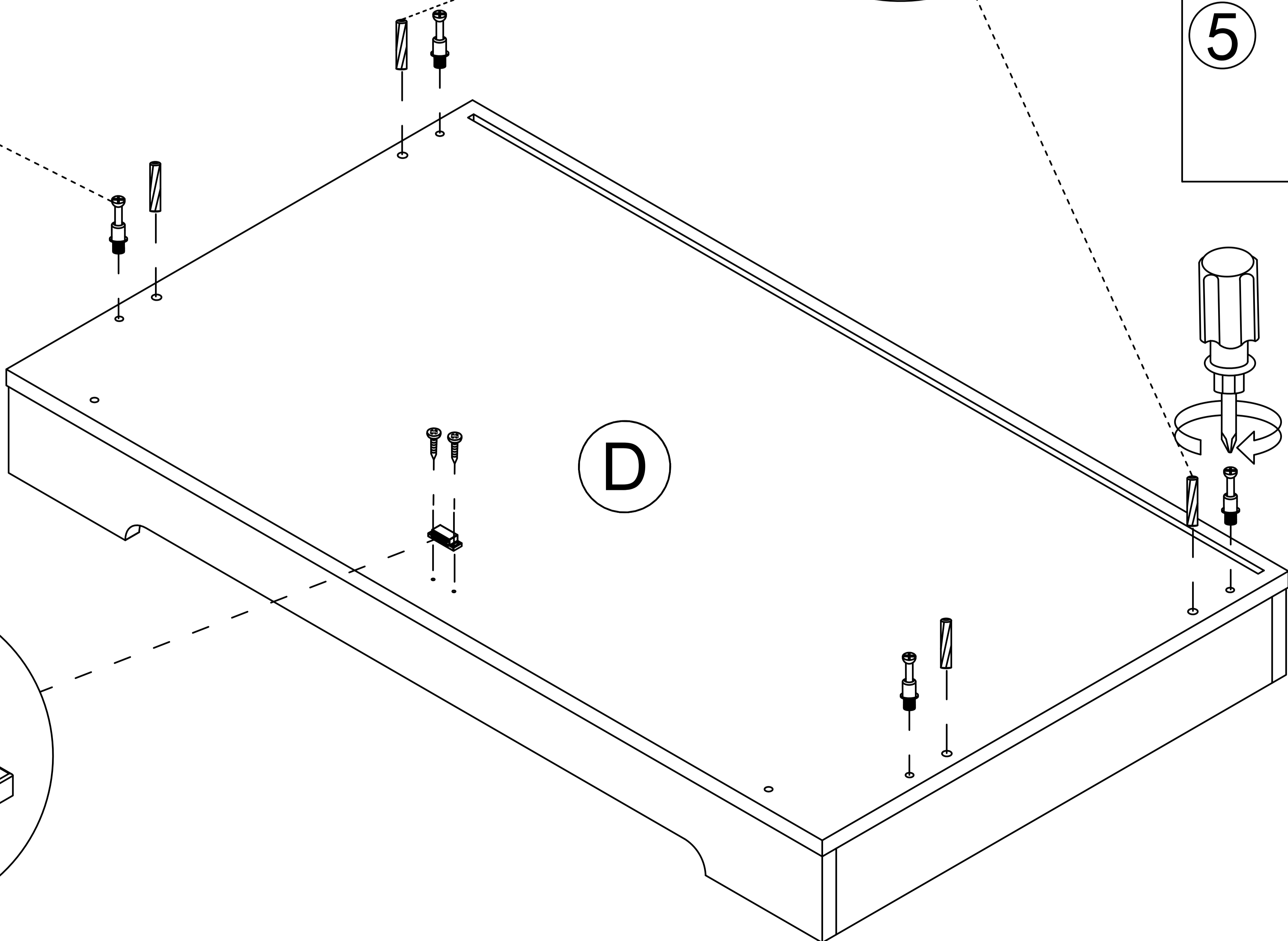
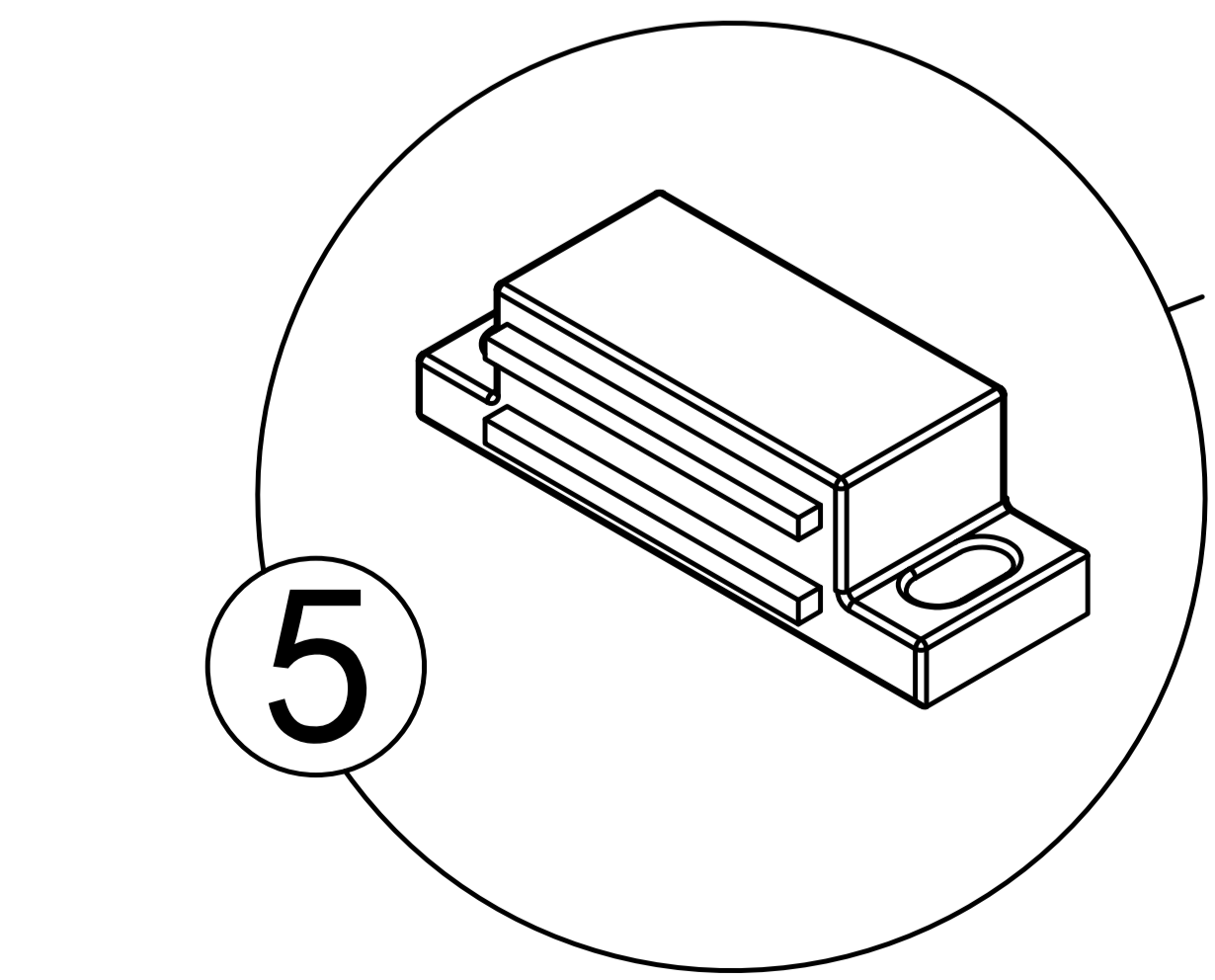
④  x8
Tear off release paper and stick the black foot pad on the board



Step 7

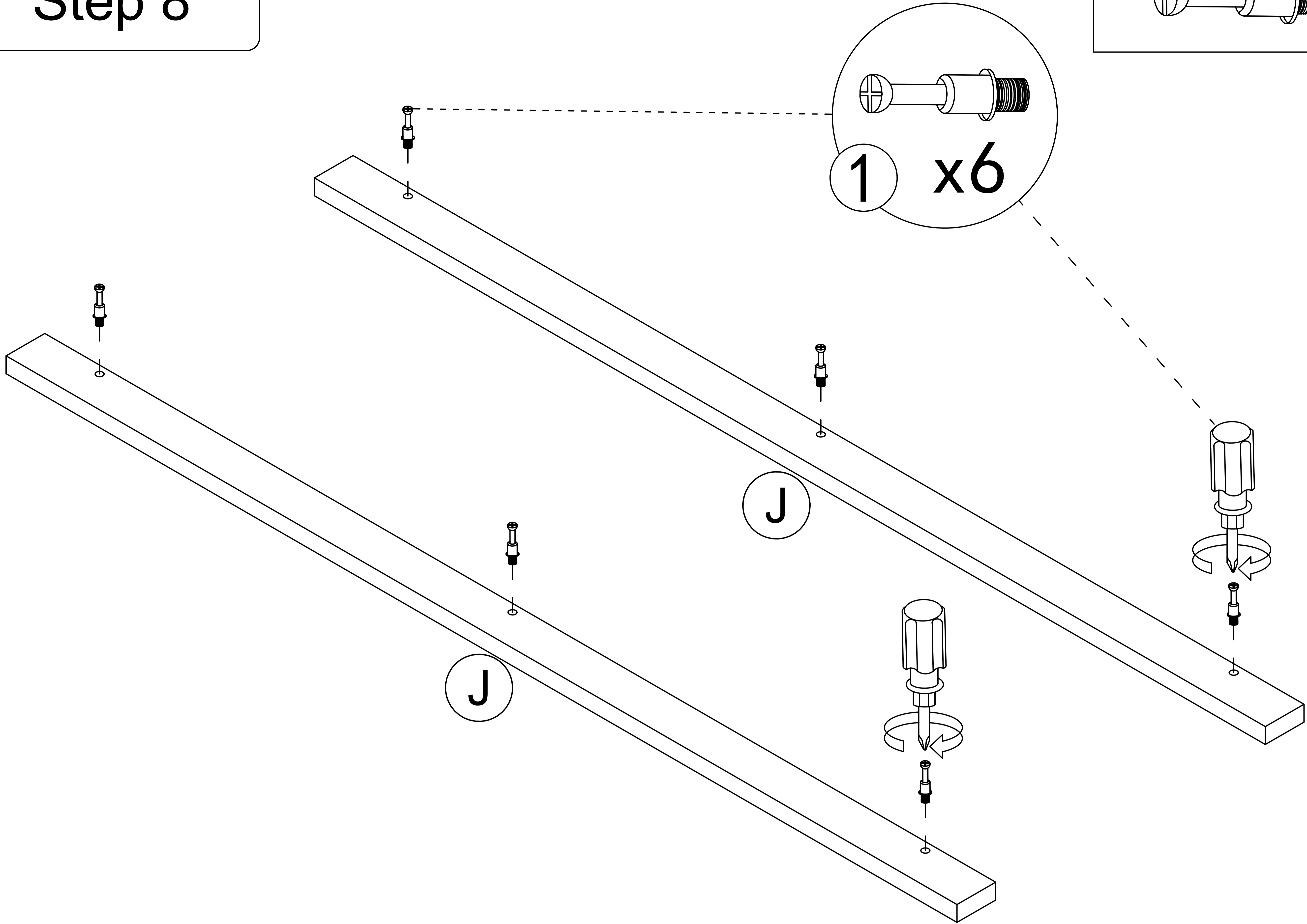
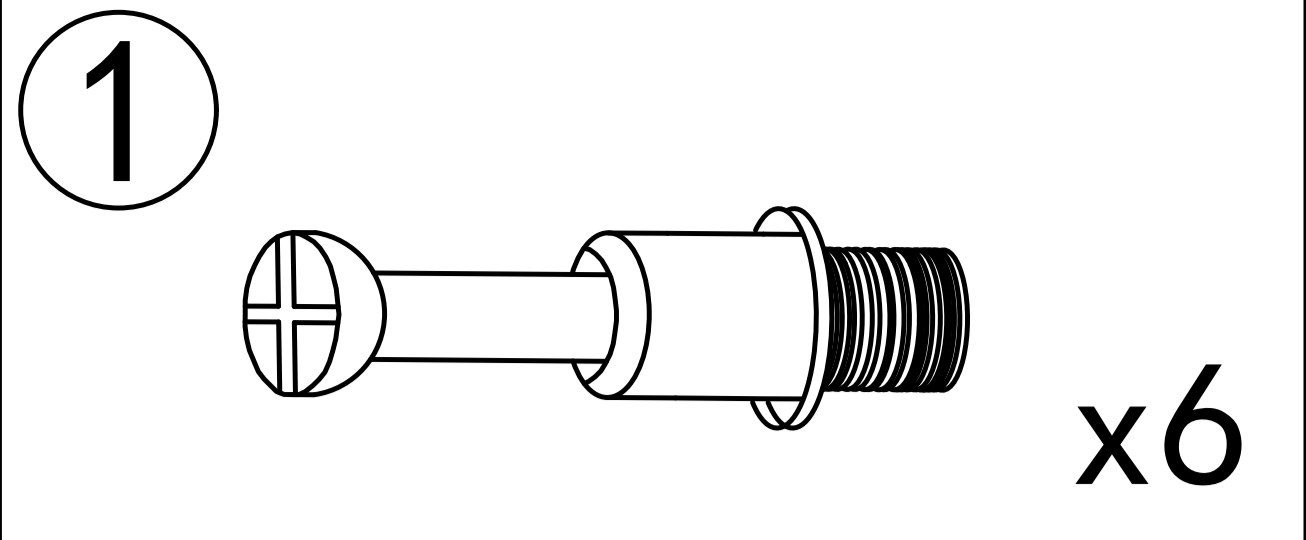


- ①  x4
- ③  x4
- ⑤  x1  x2

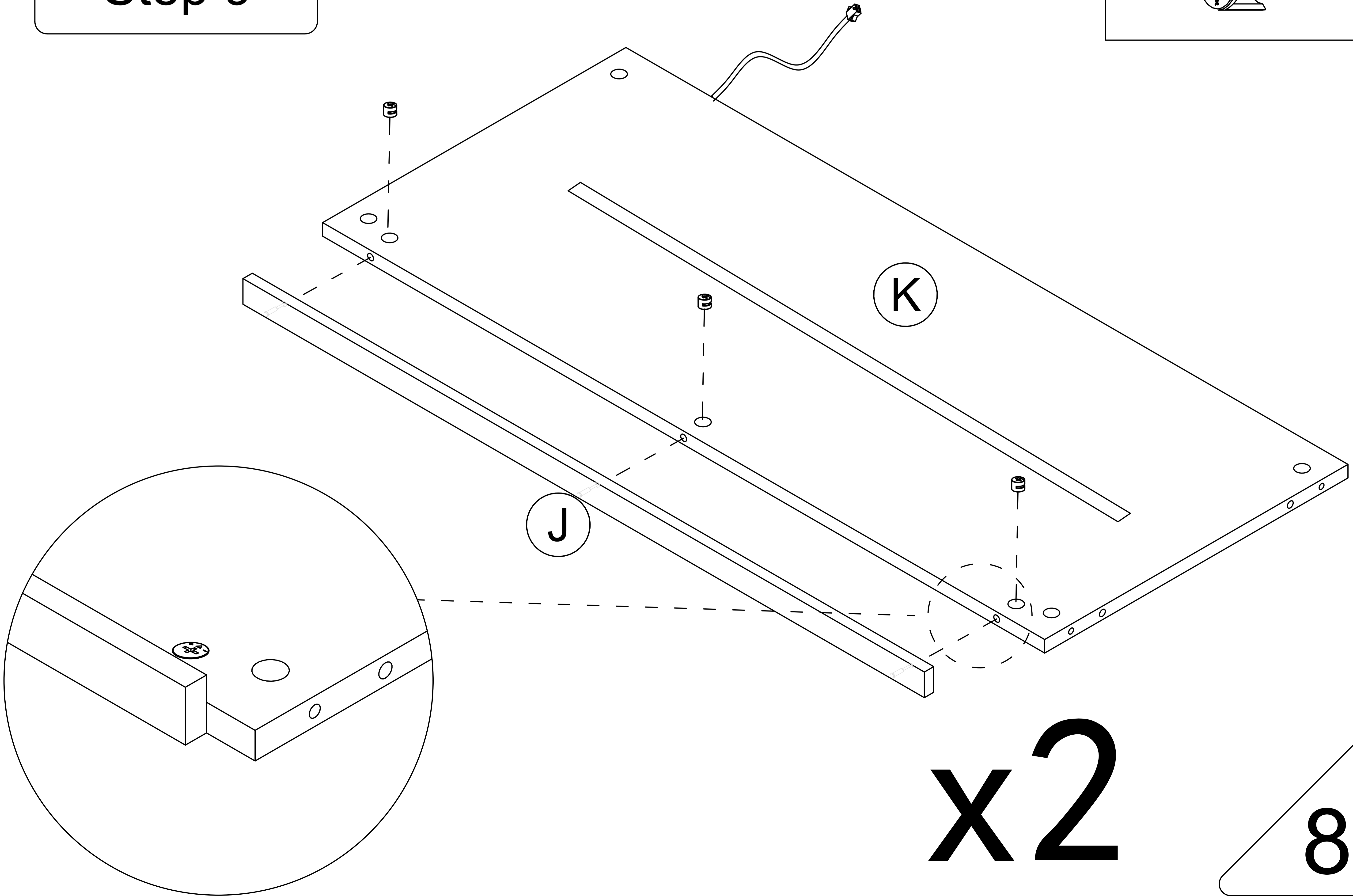
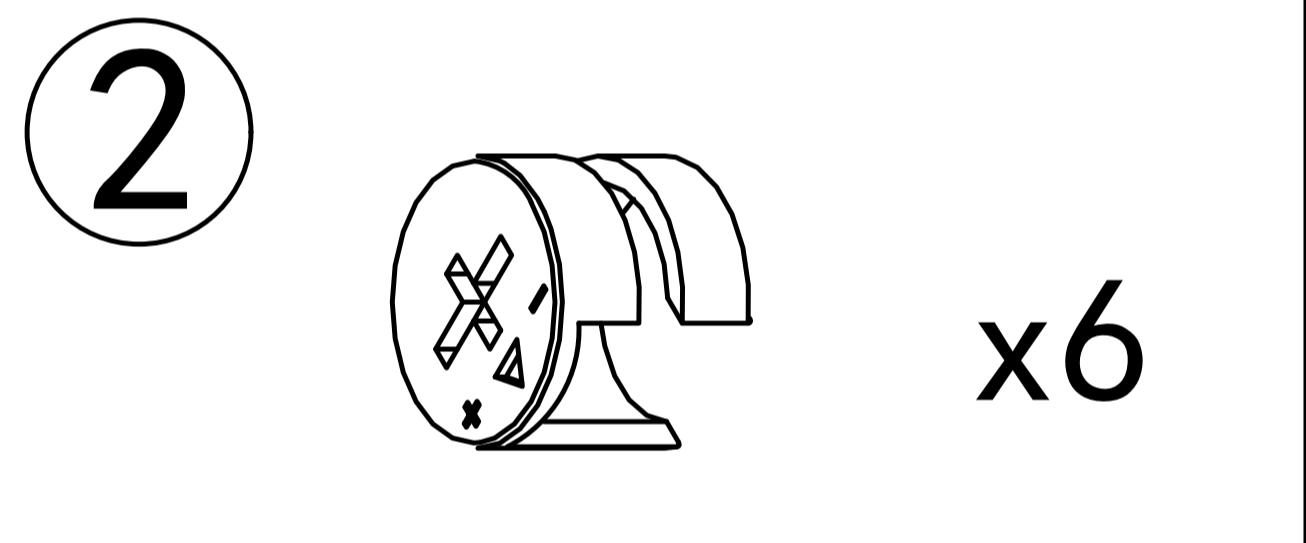


Pay attention to magnets' orientation

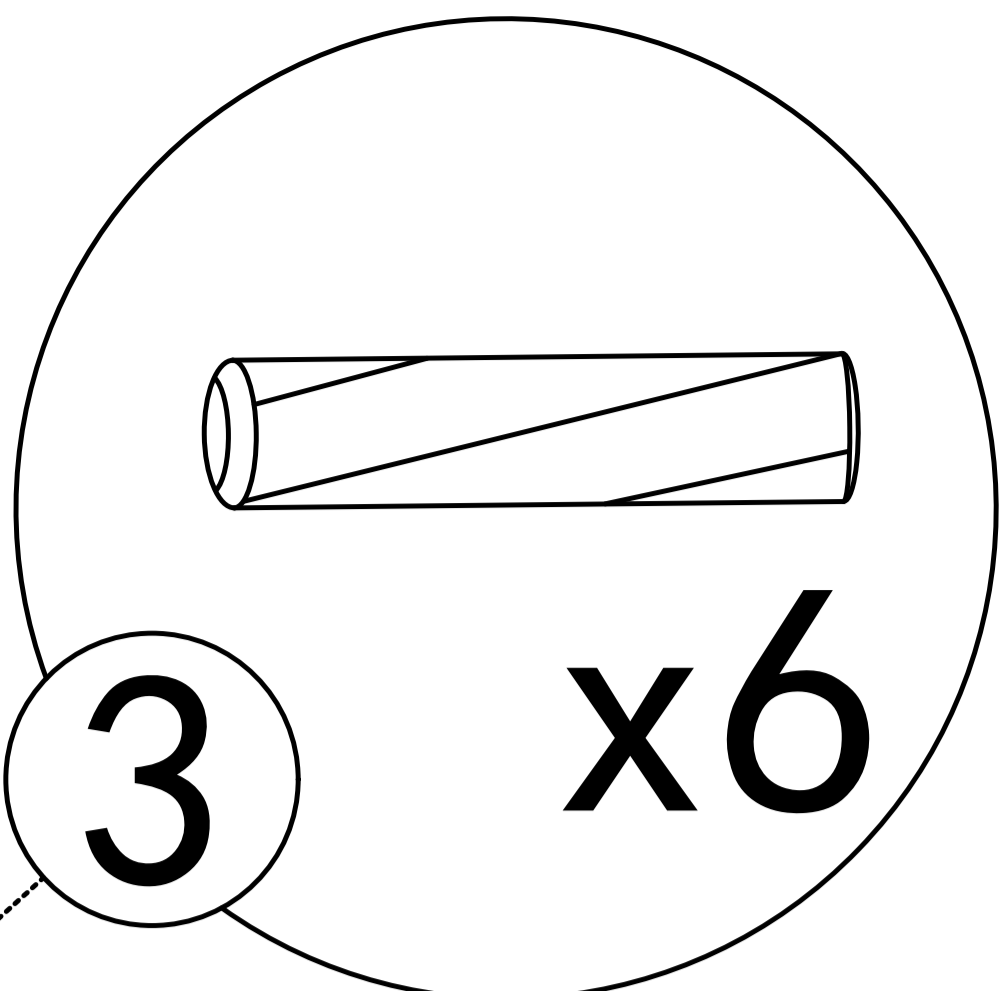
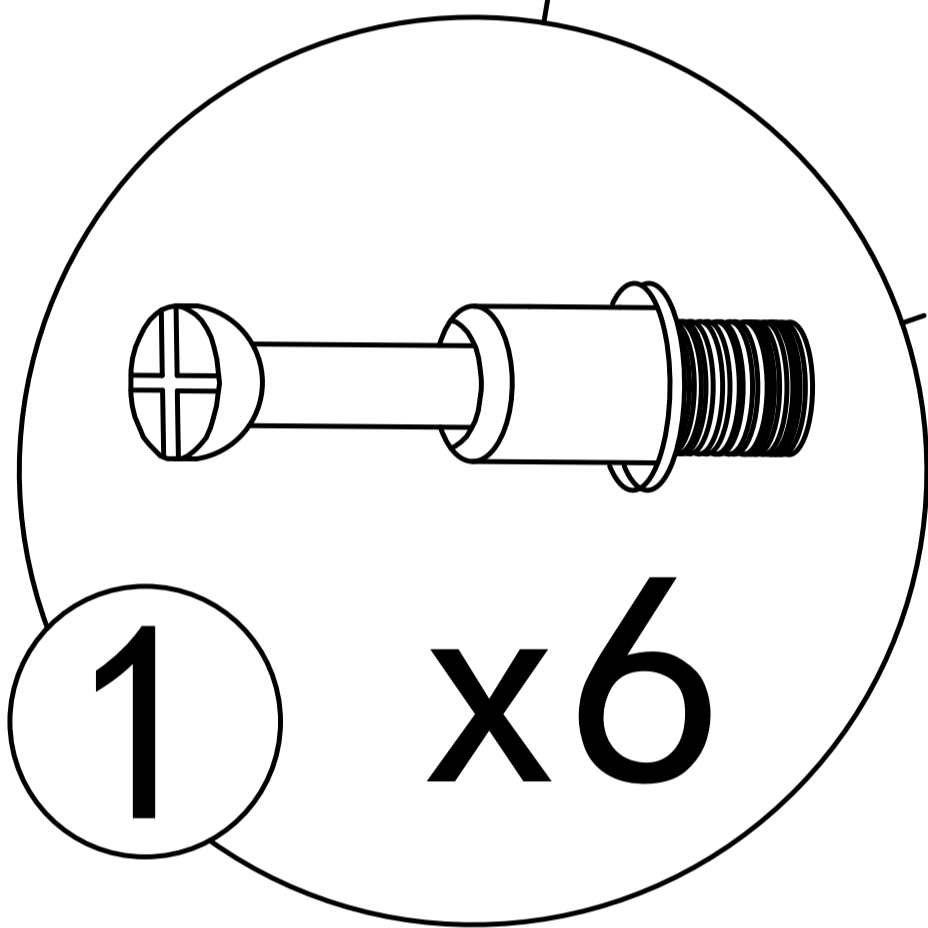
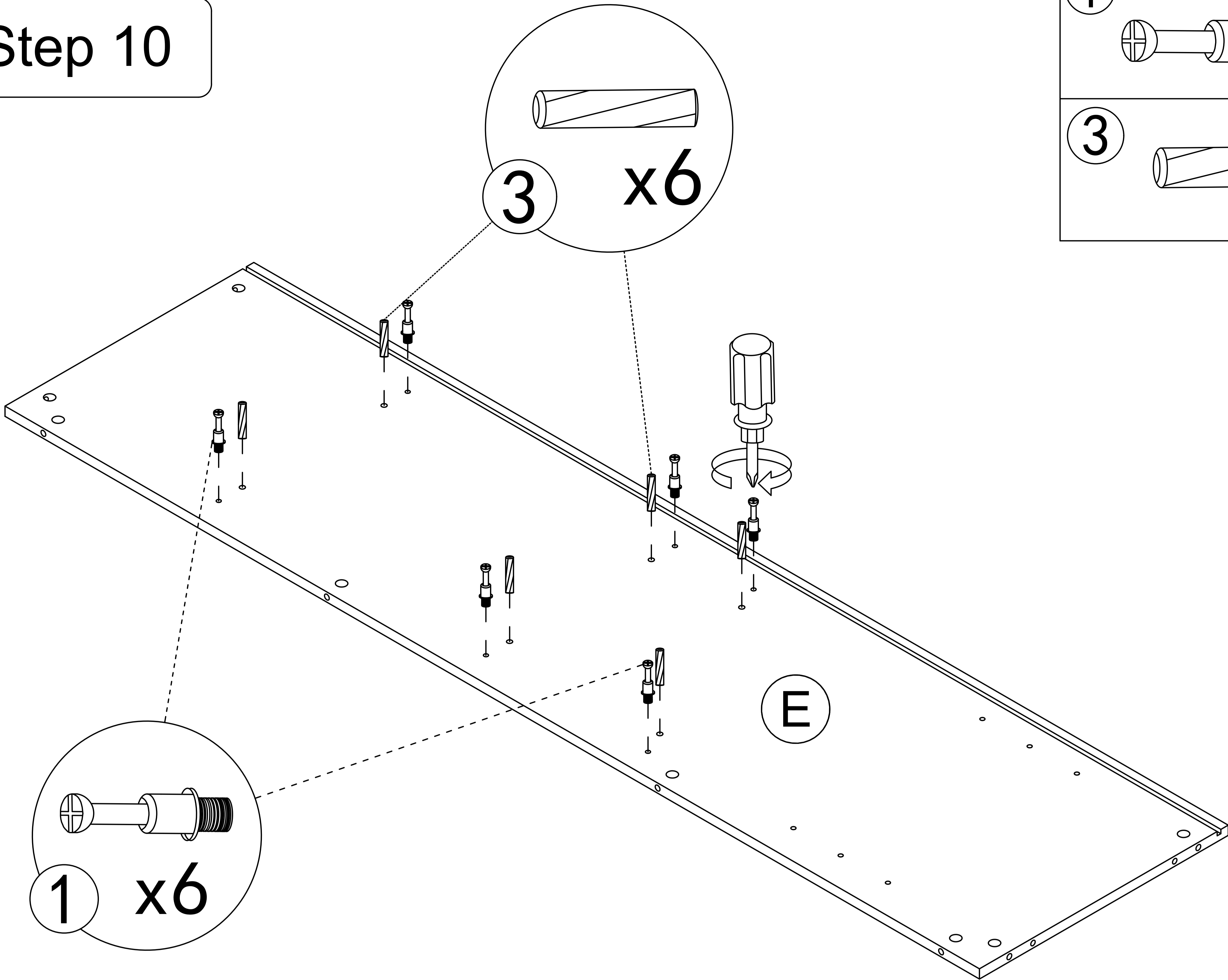
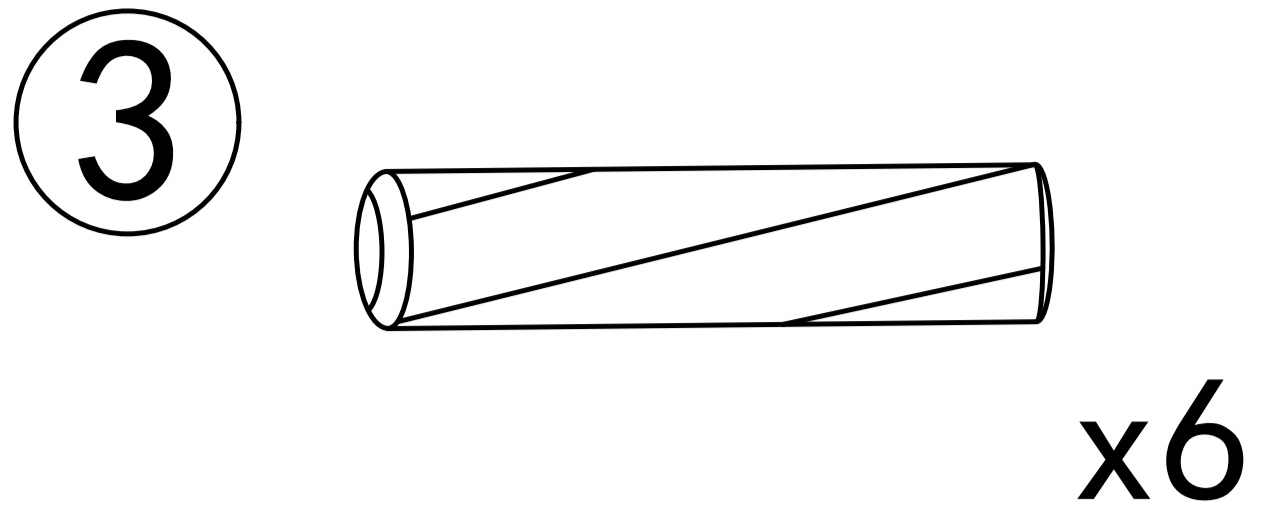
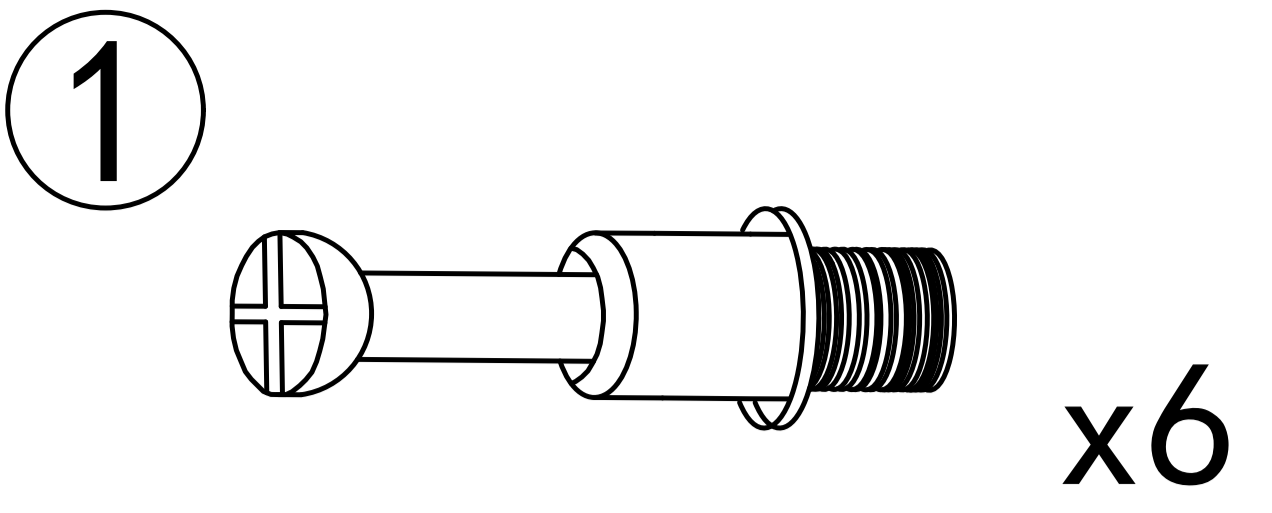
Step 8



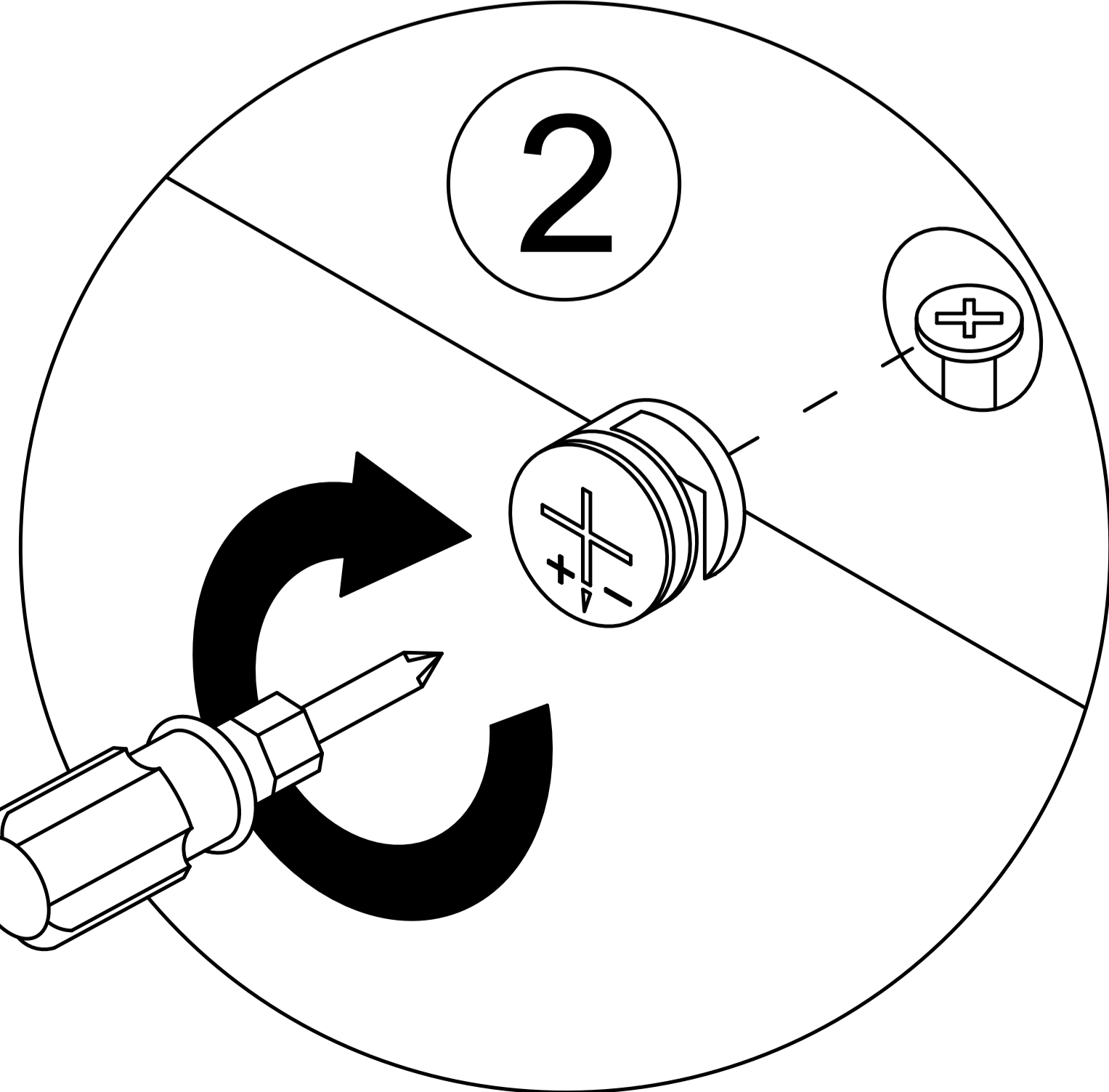
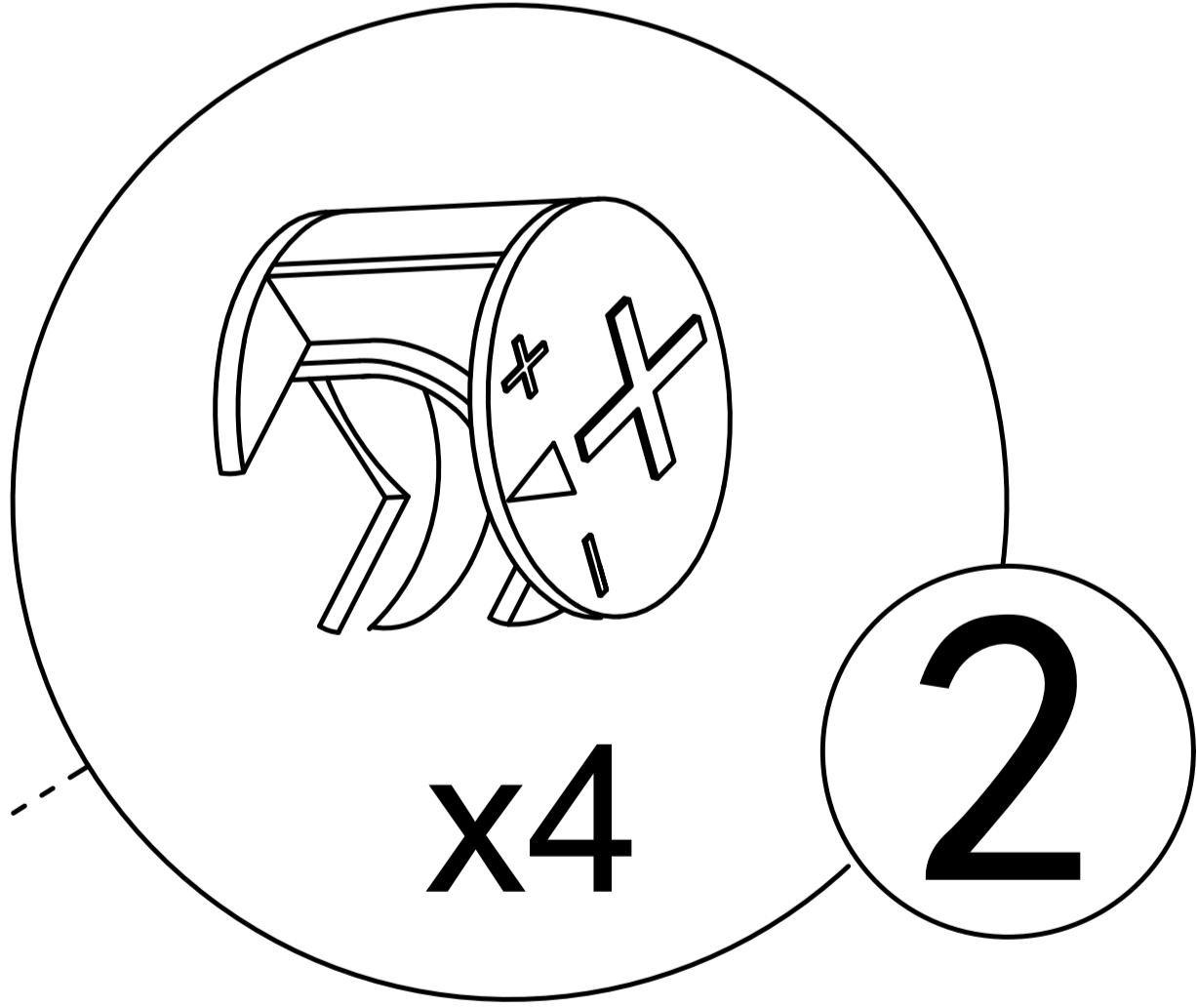
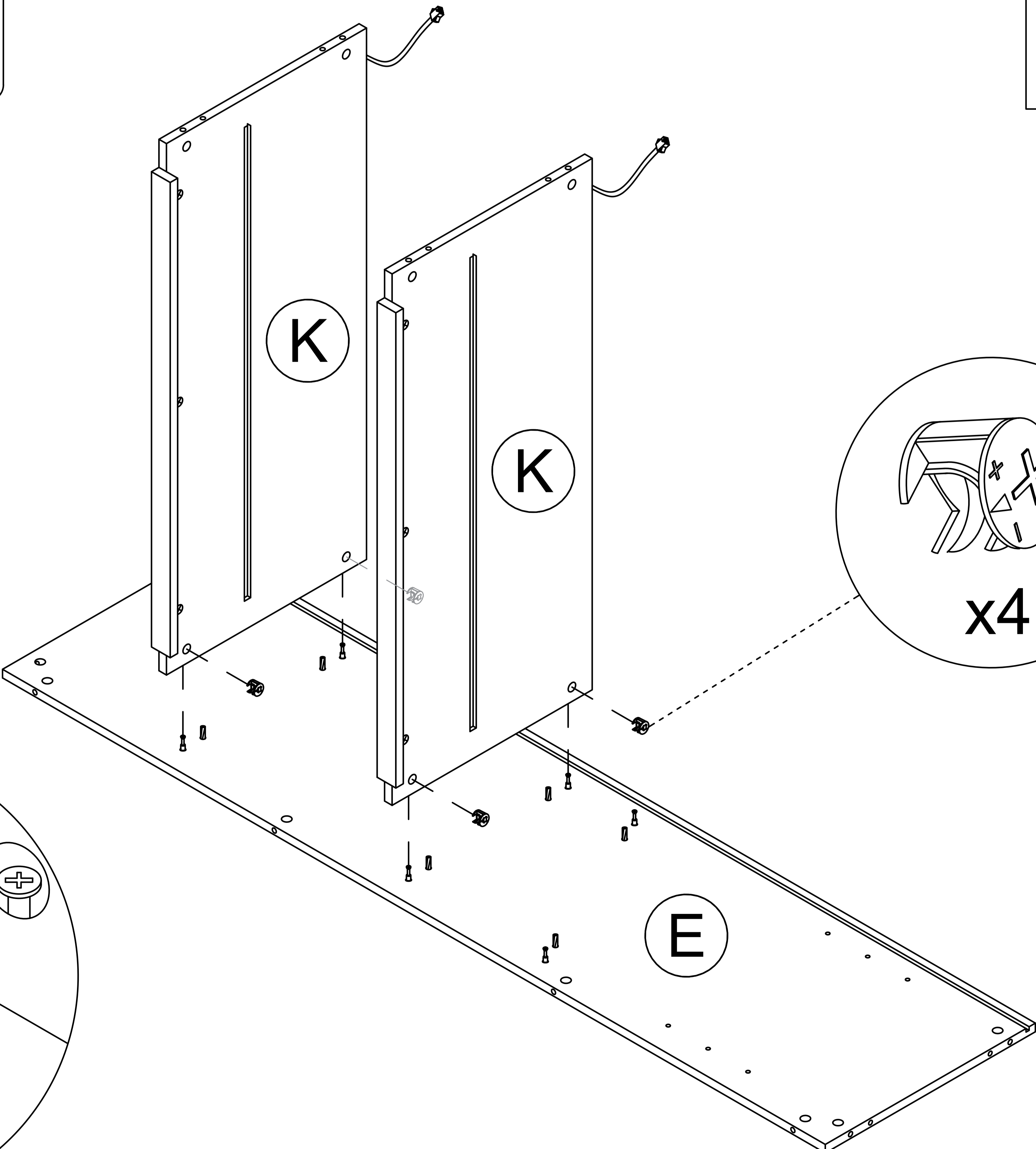
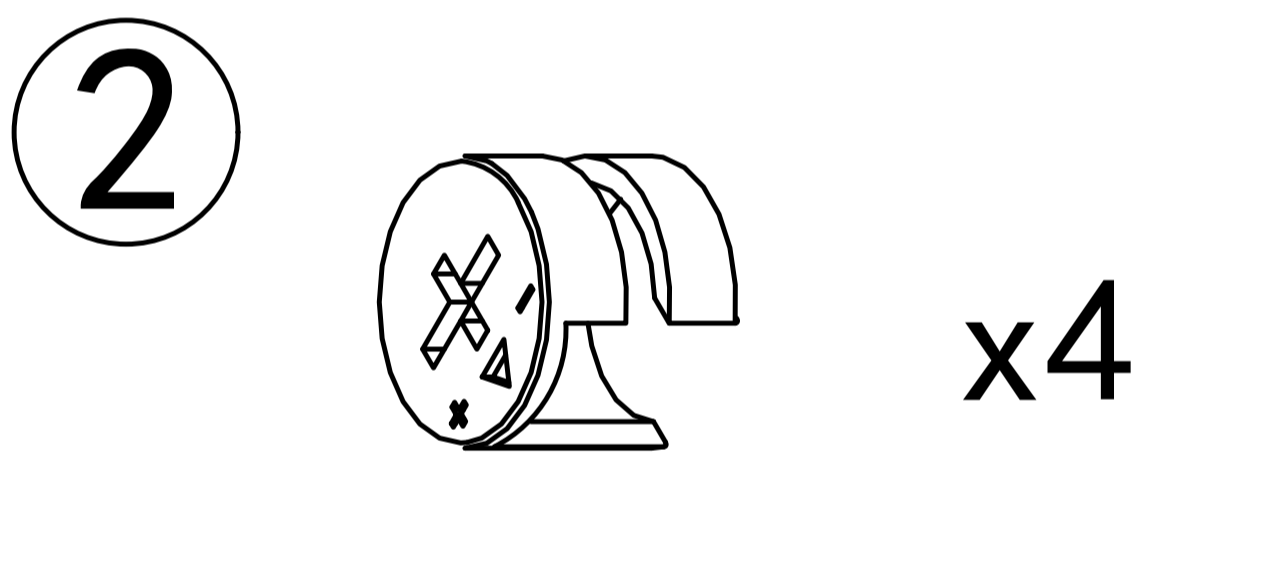
Step 9



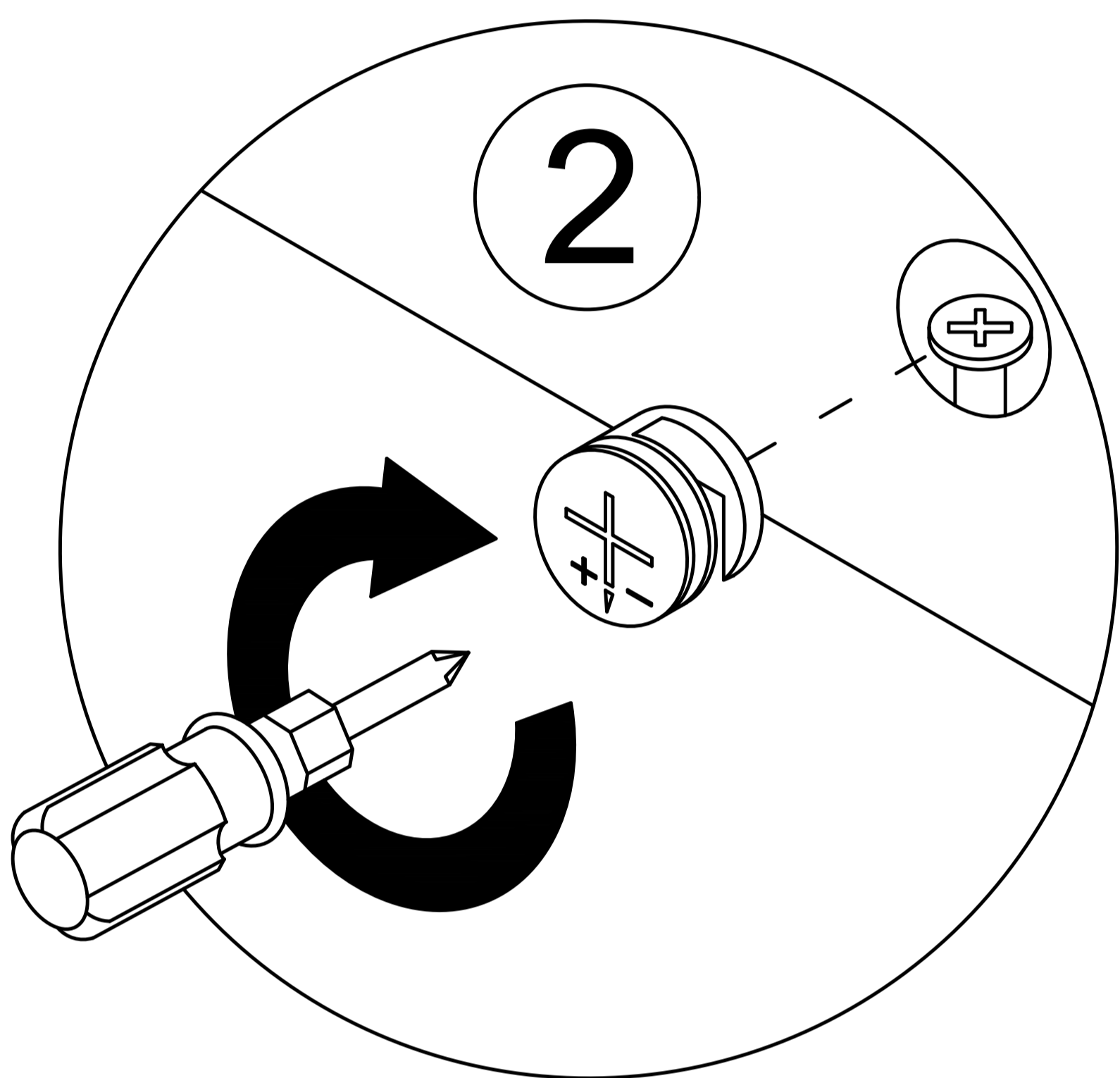
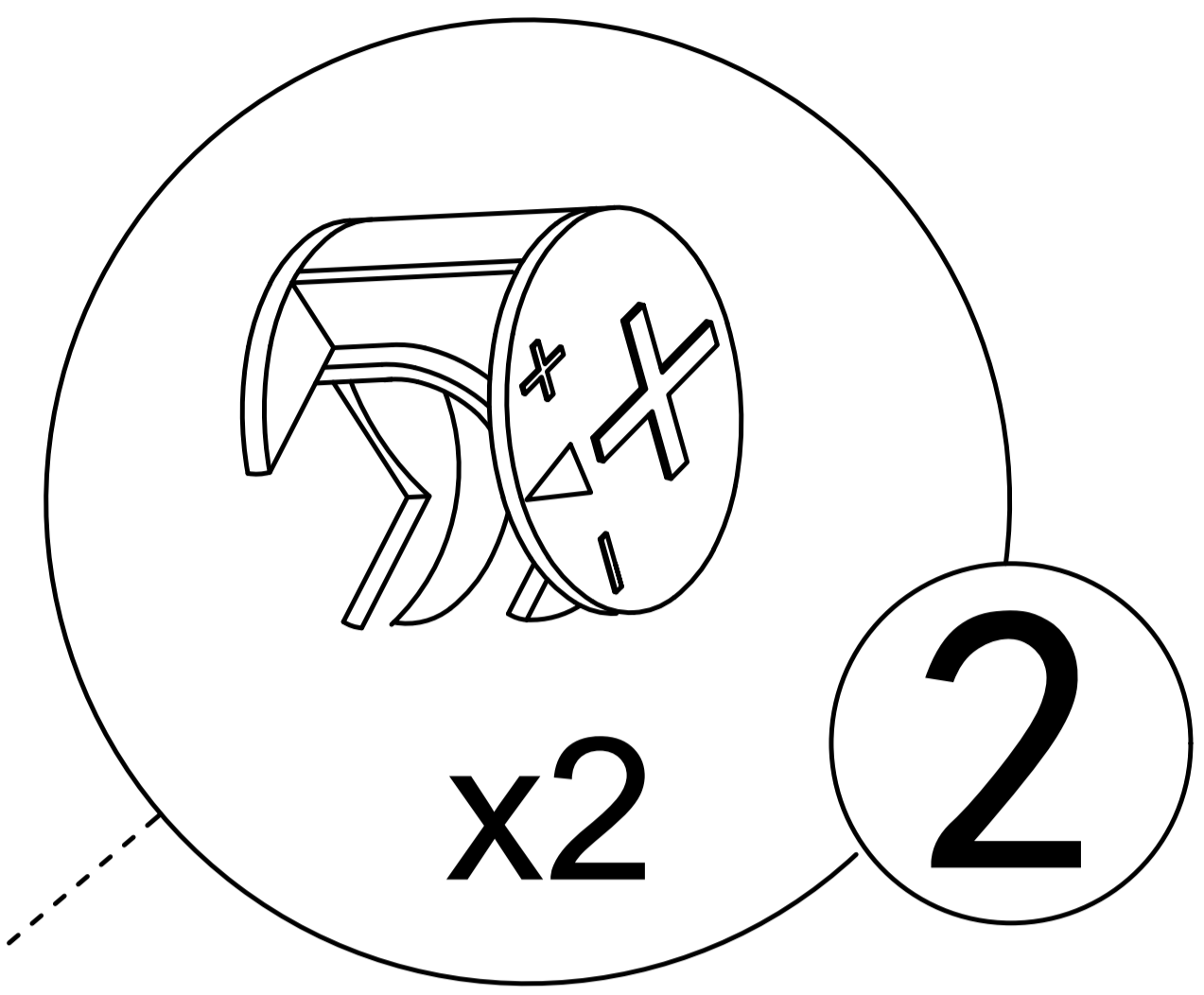
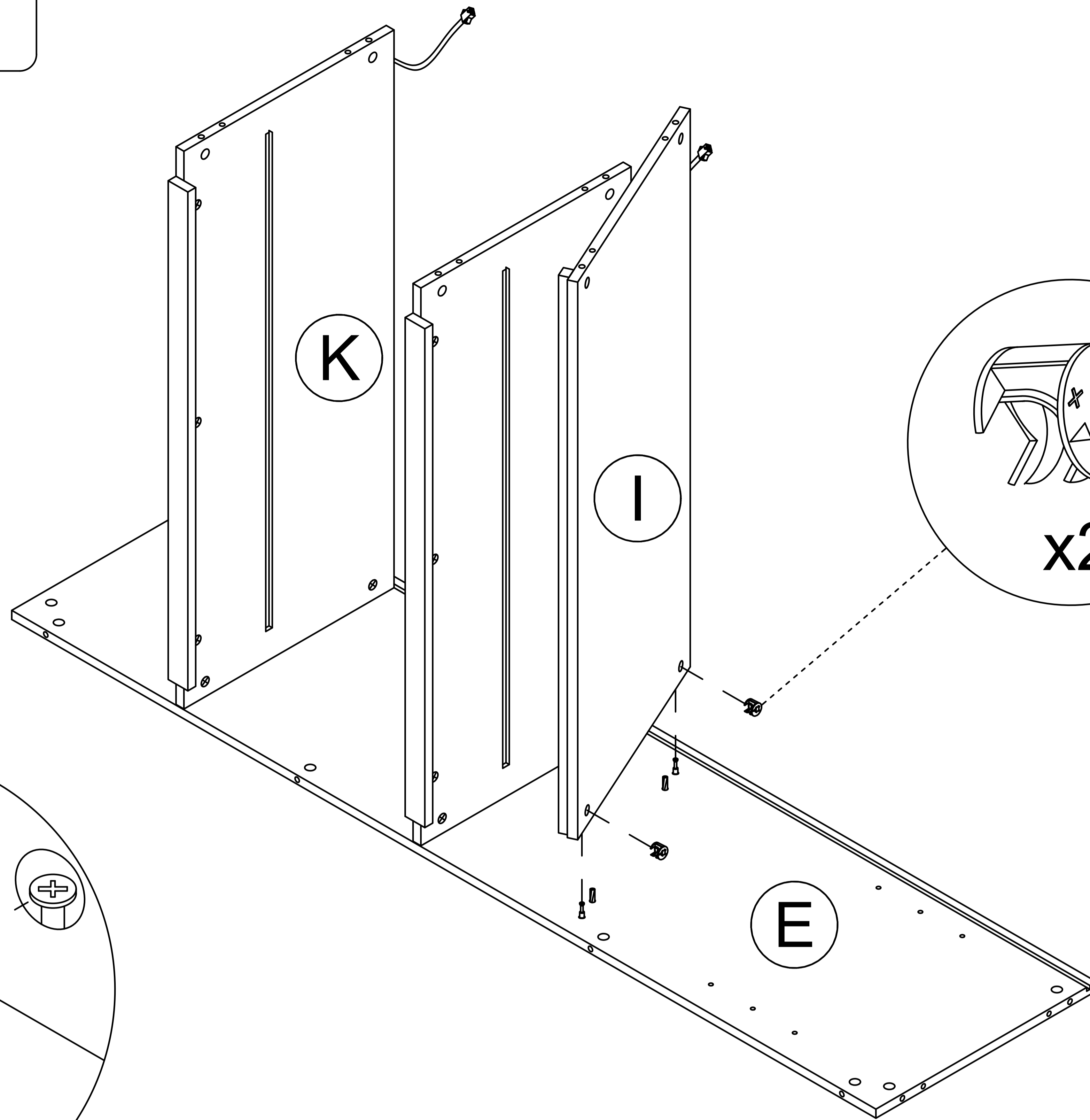
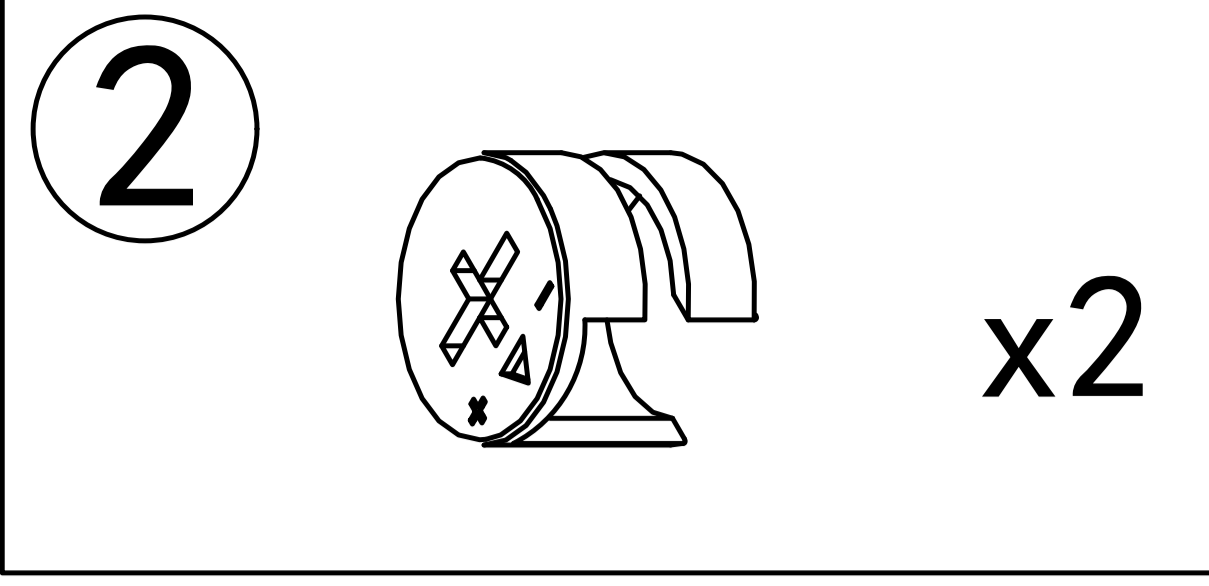
Step 10



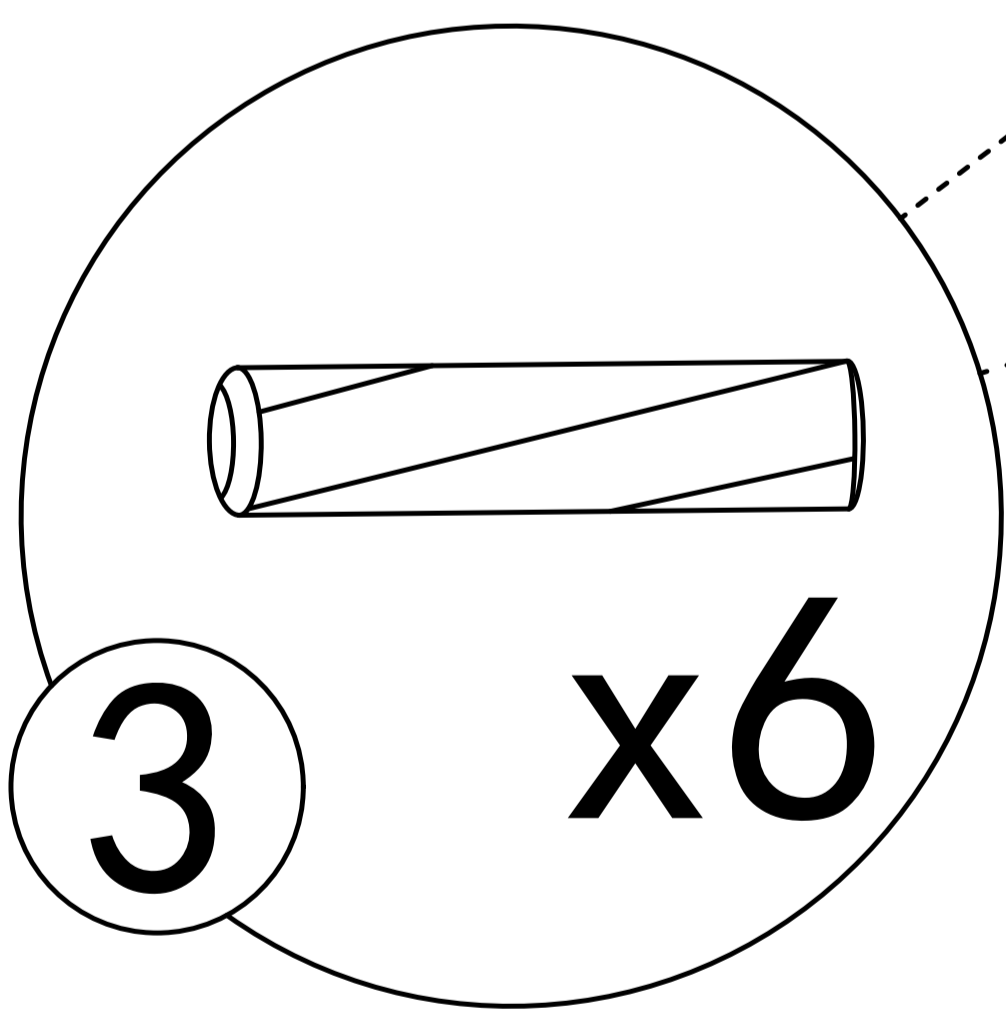
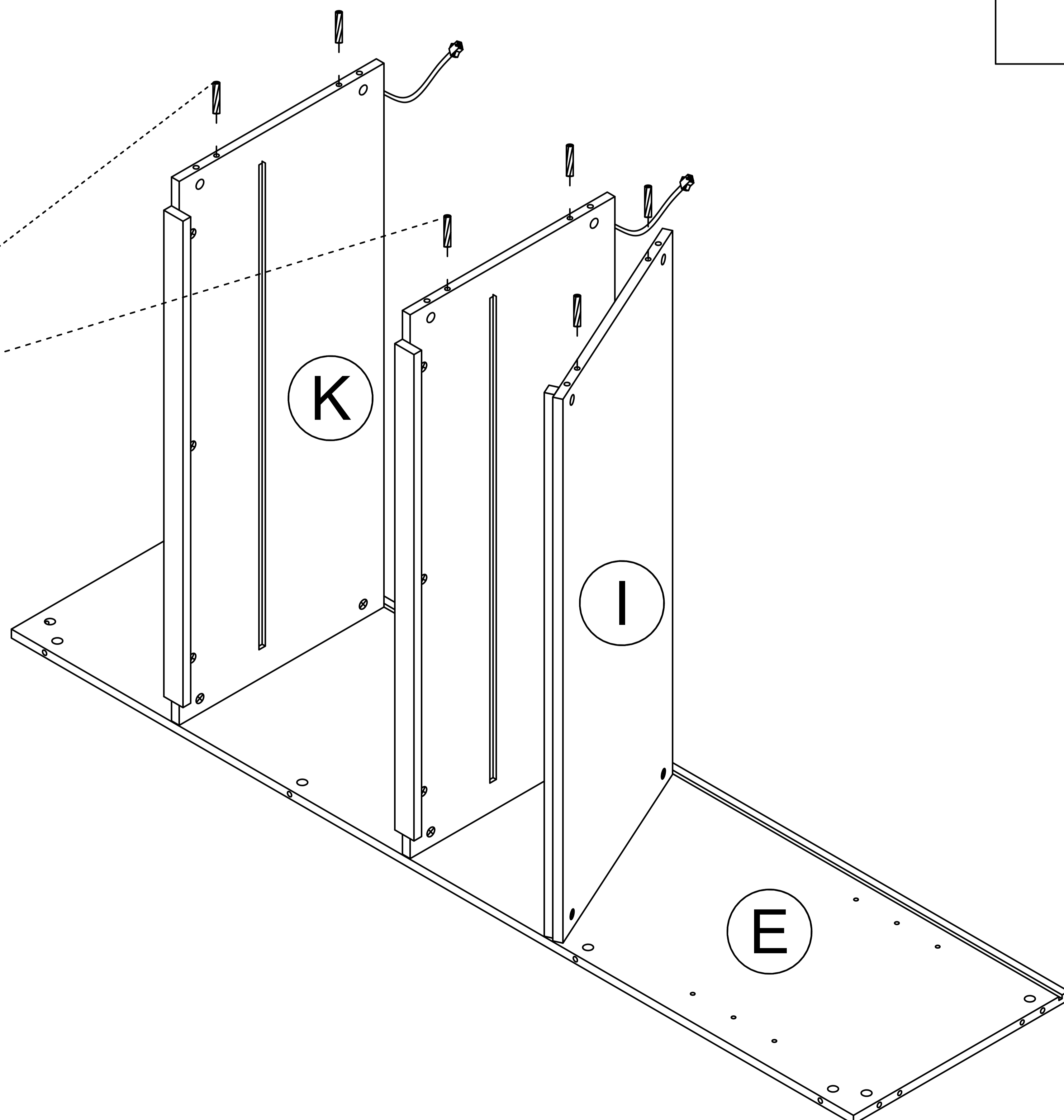
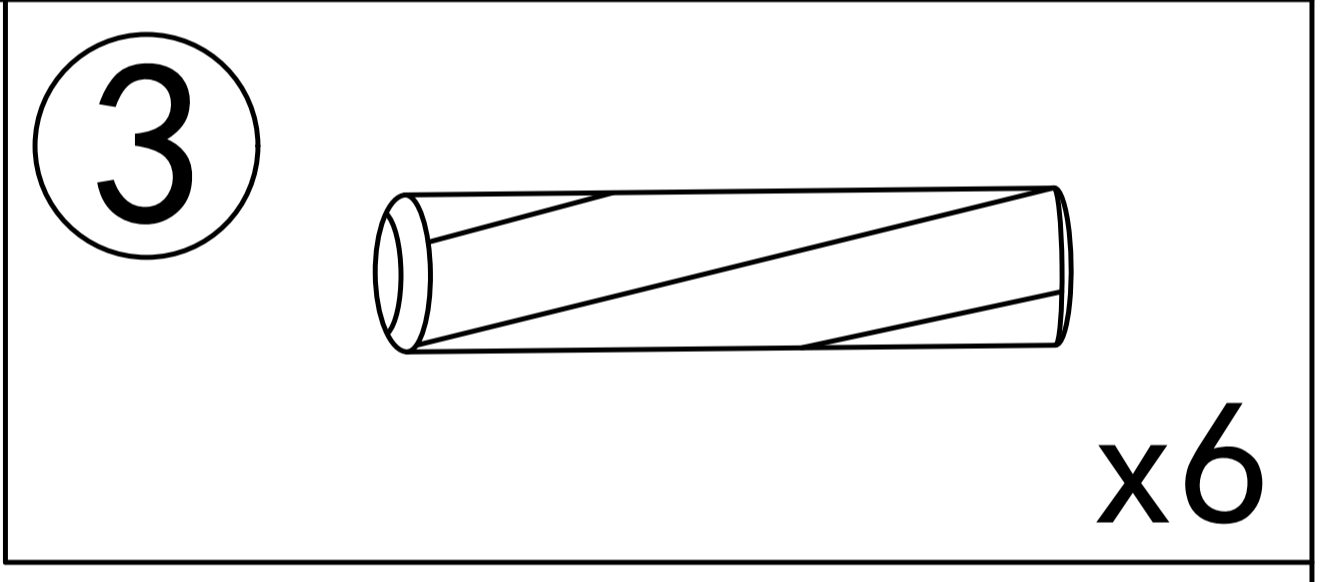
Step 11



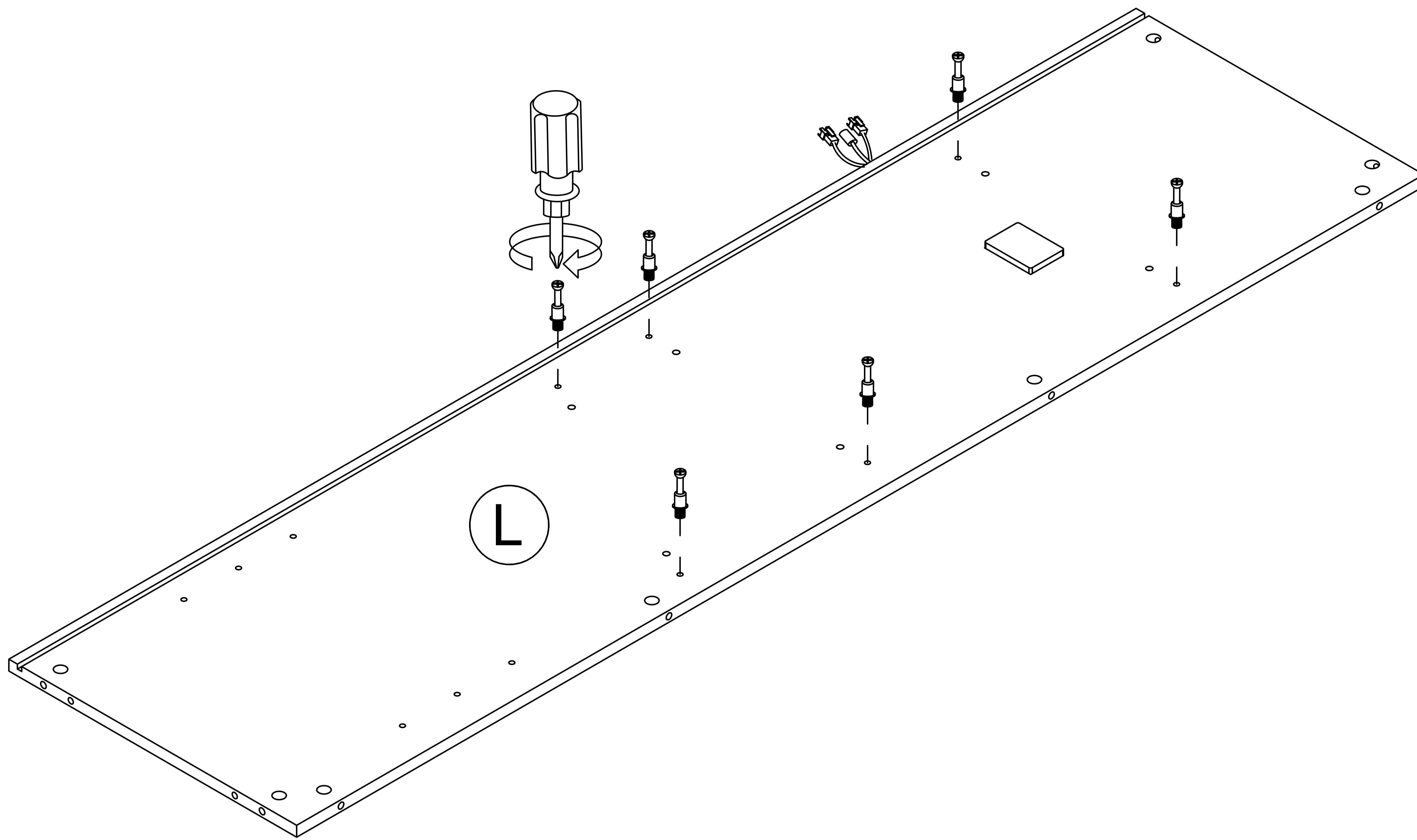
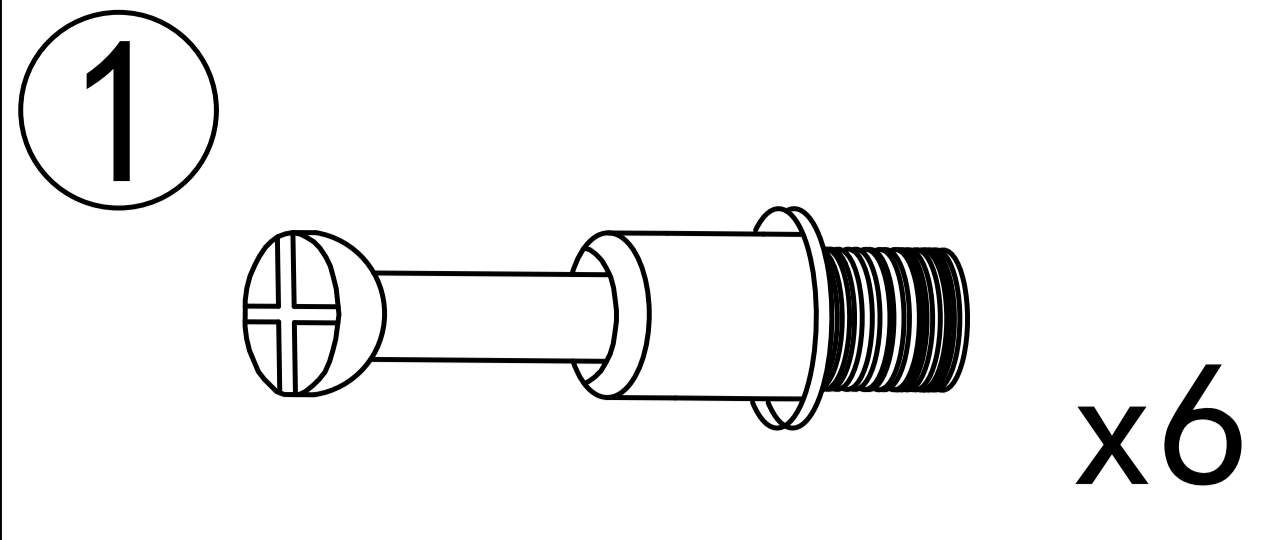
Step 12



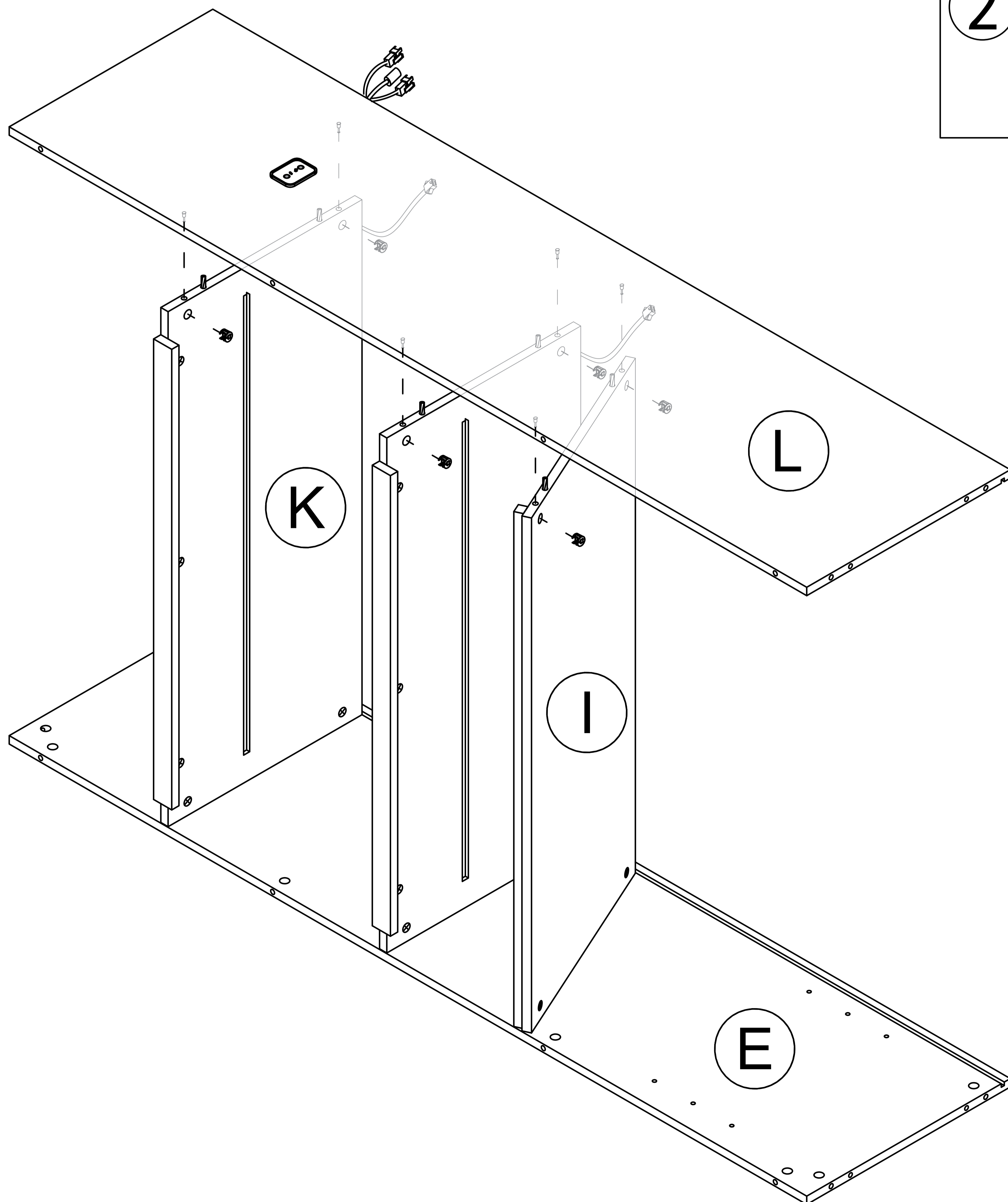
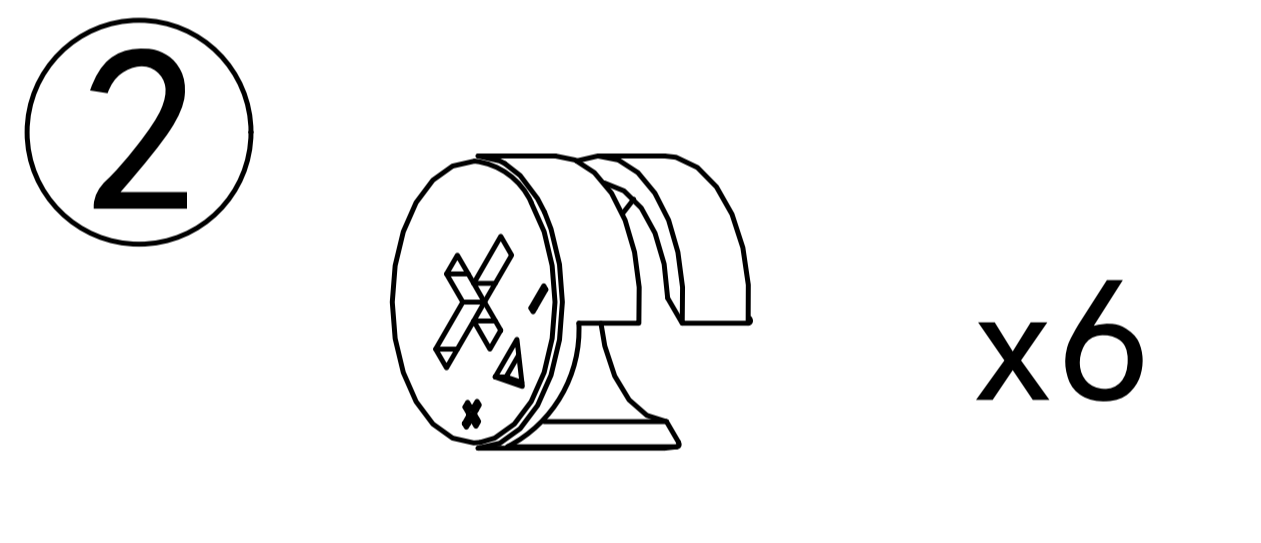
Step 13



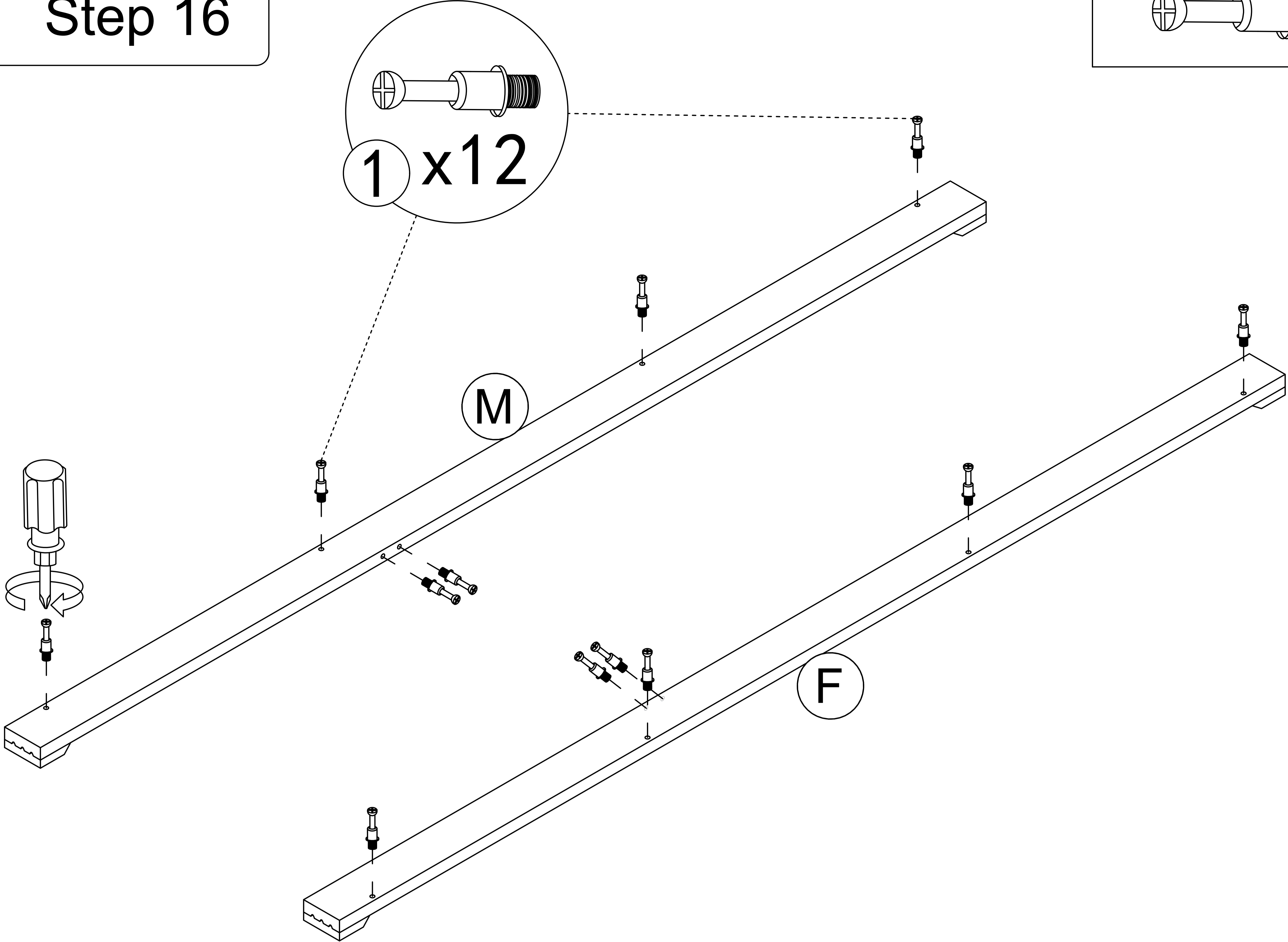
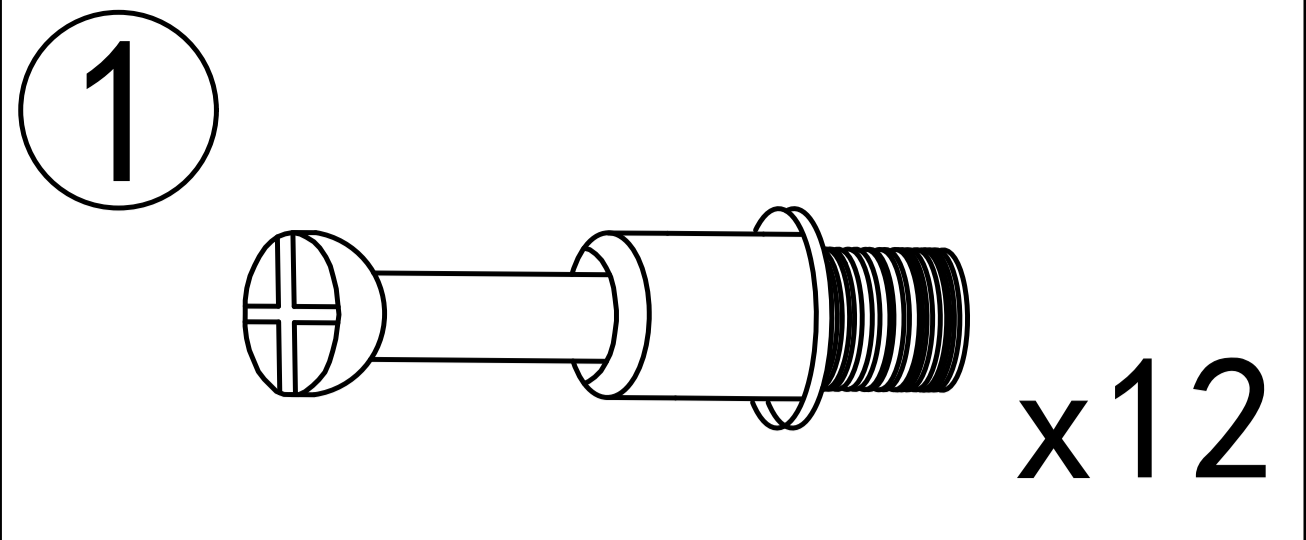
Step 14



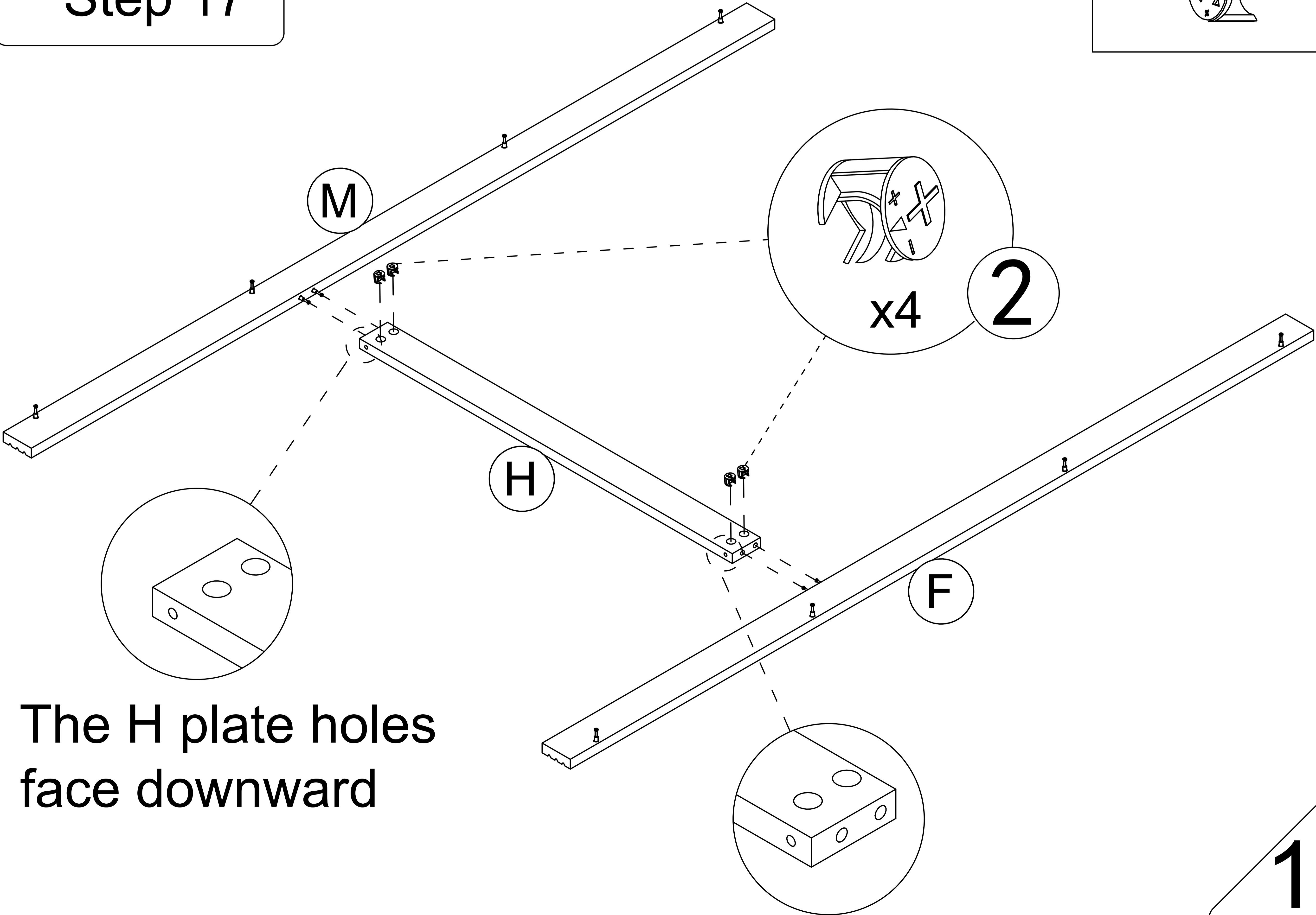
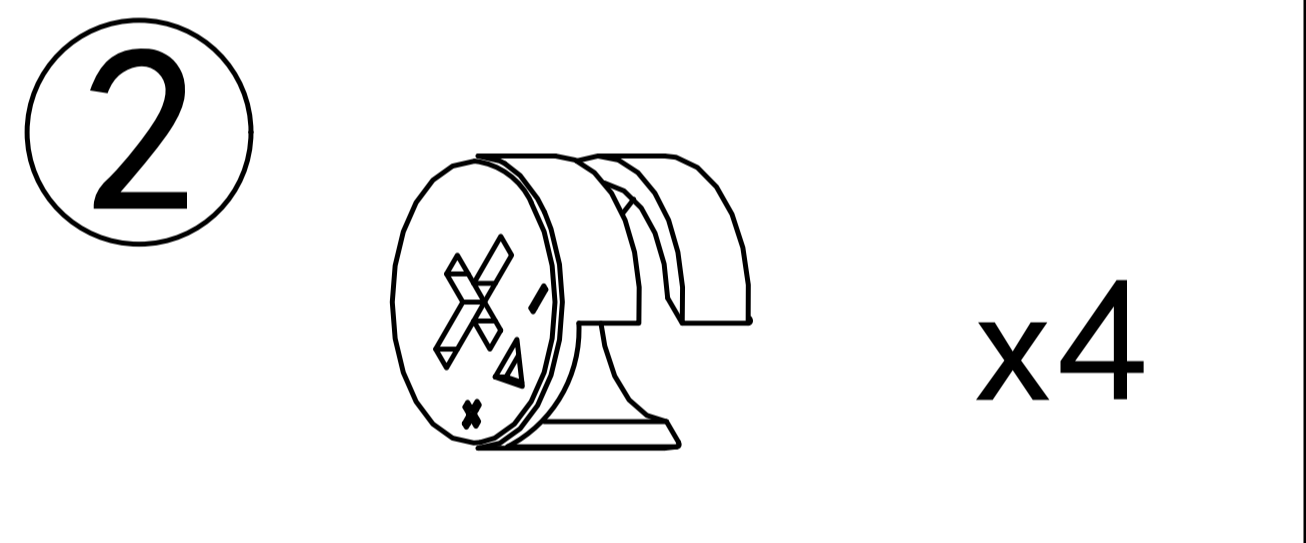
Step 15



Step 16



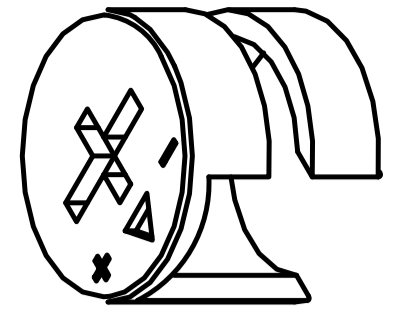
Step 17



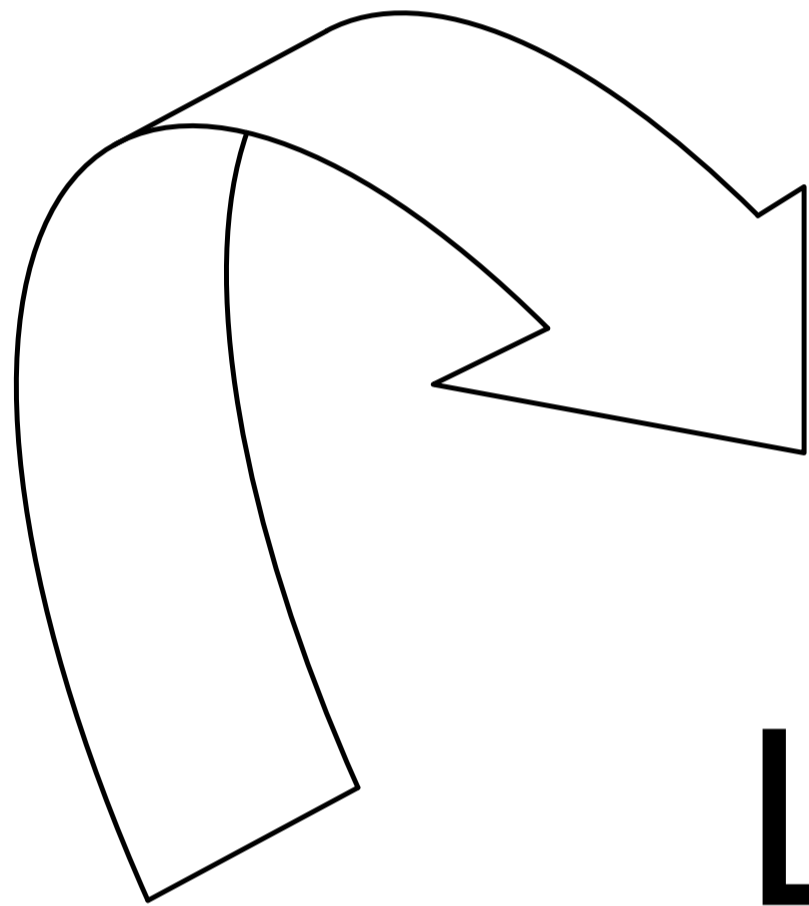
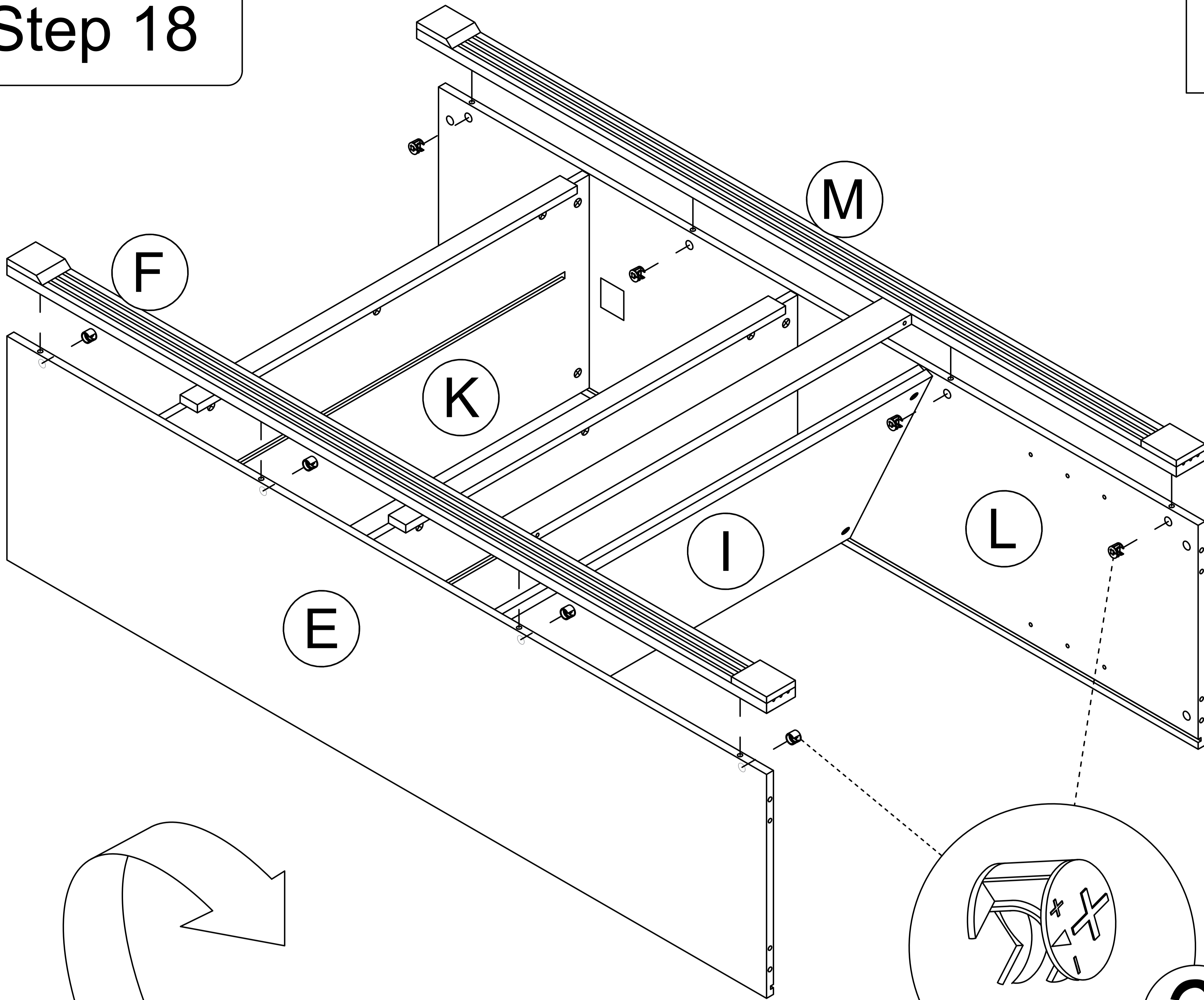
The H plate holes face downward

Step 18

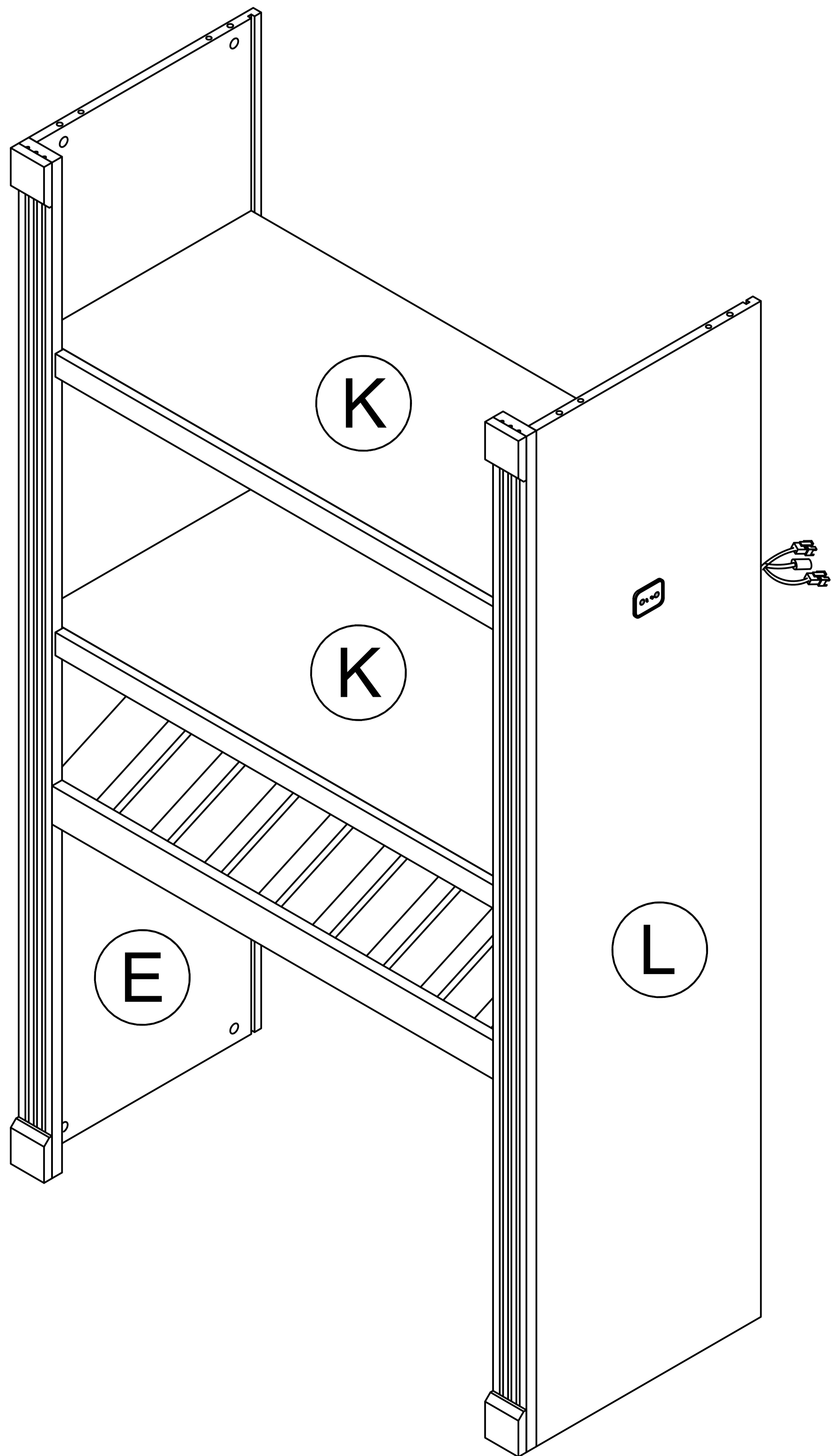
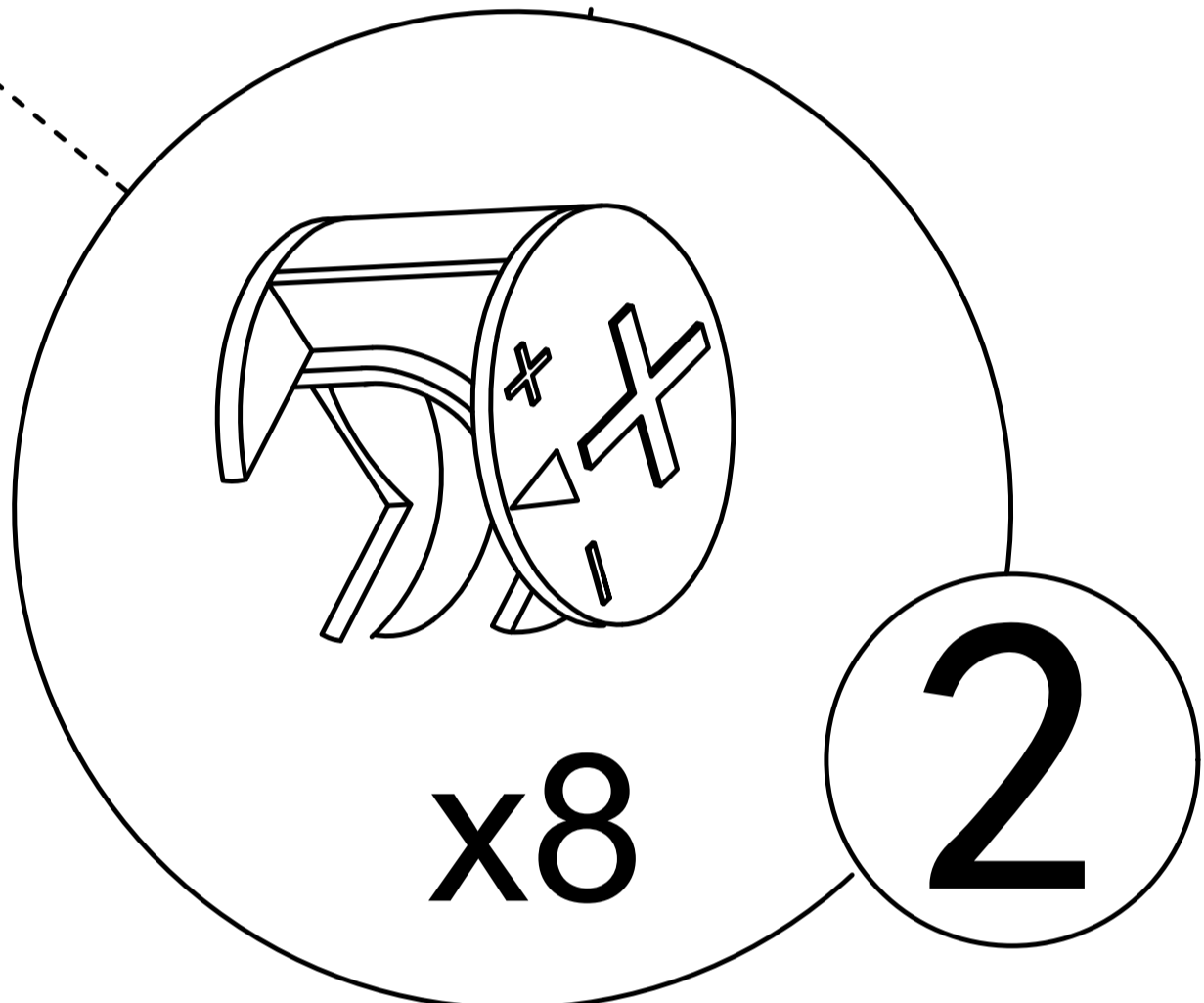
2



x8

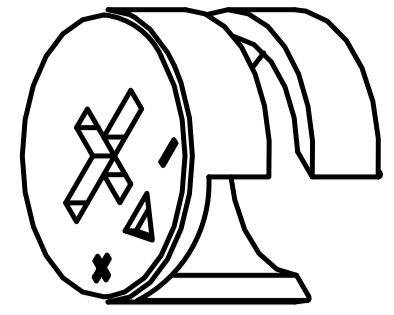


Lift it up

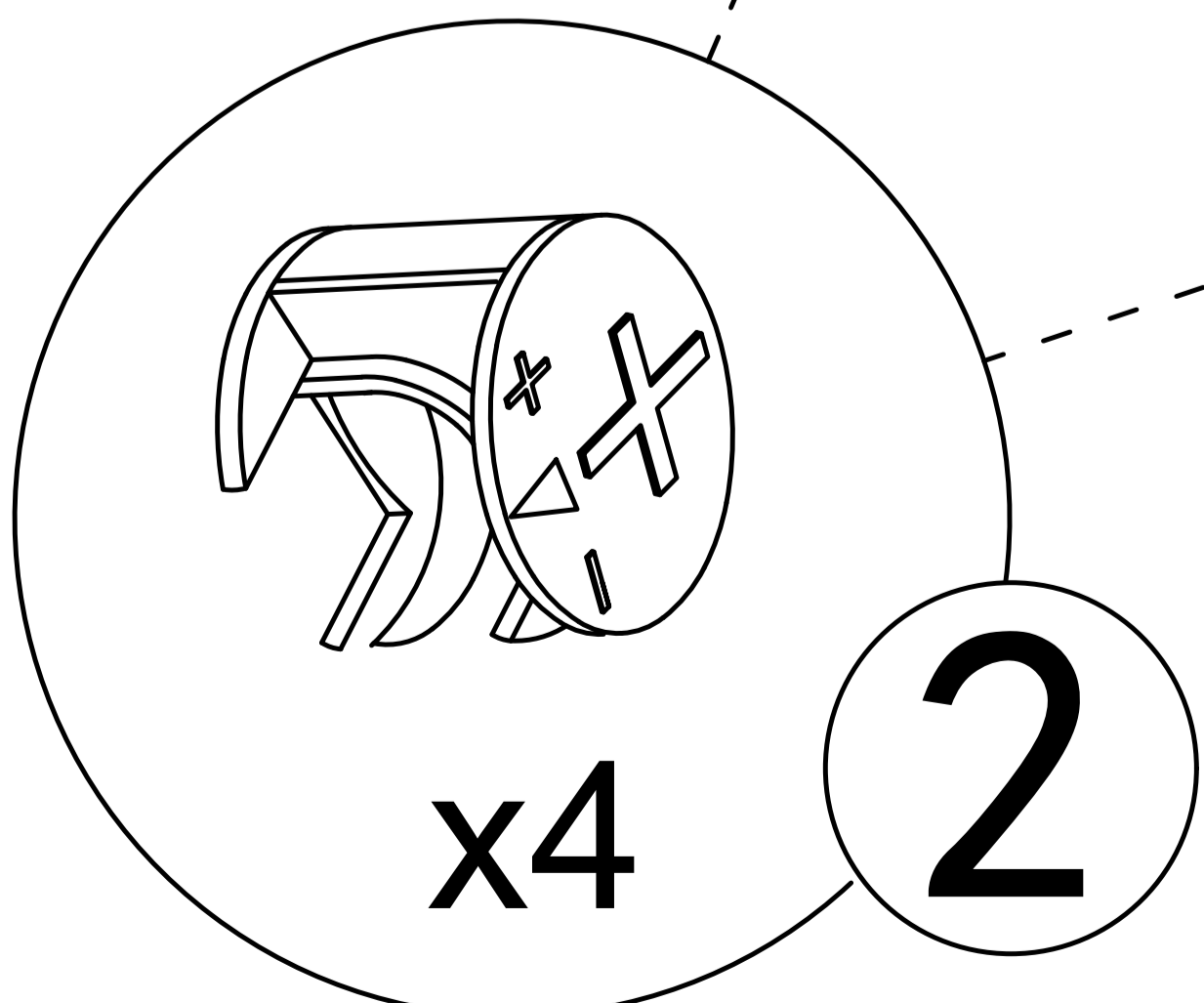
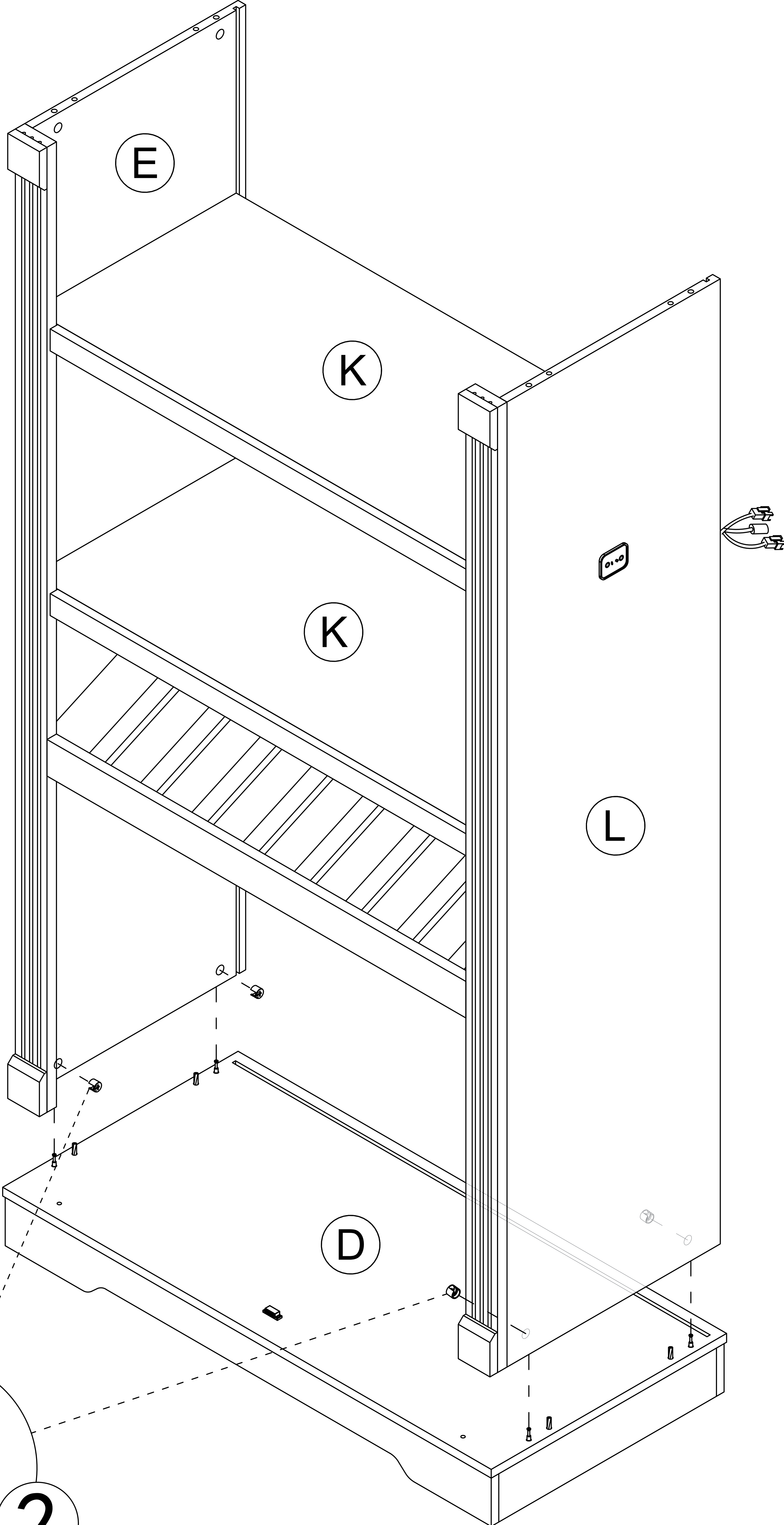


Step 19

2

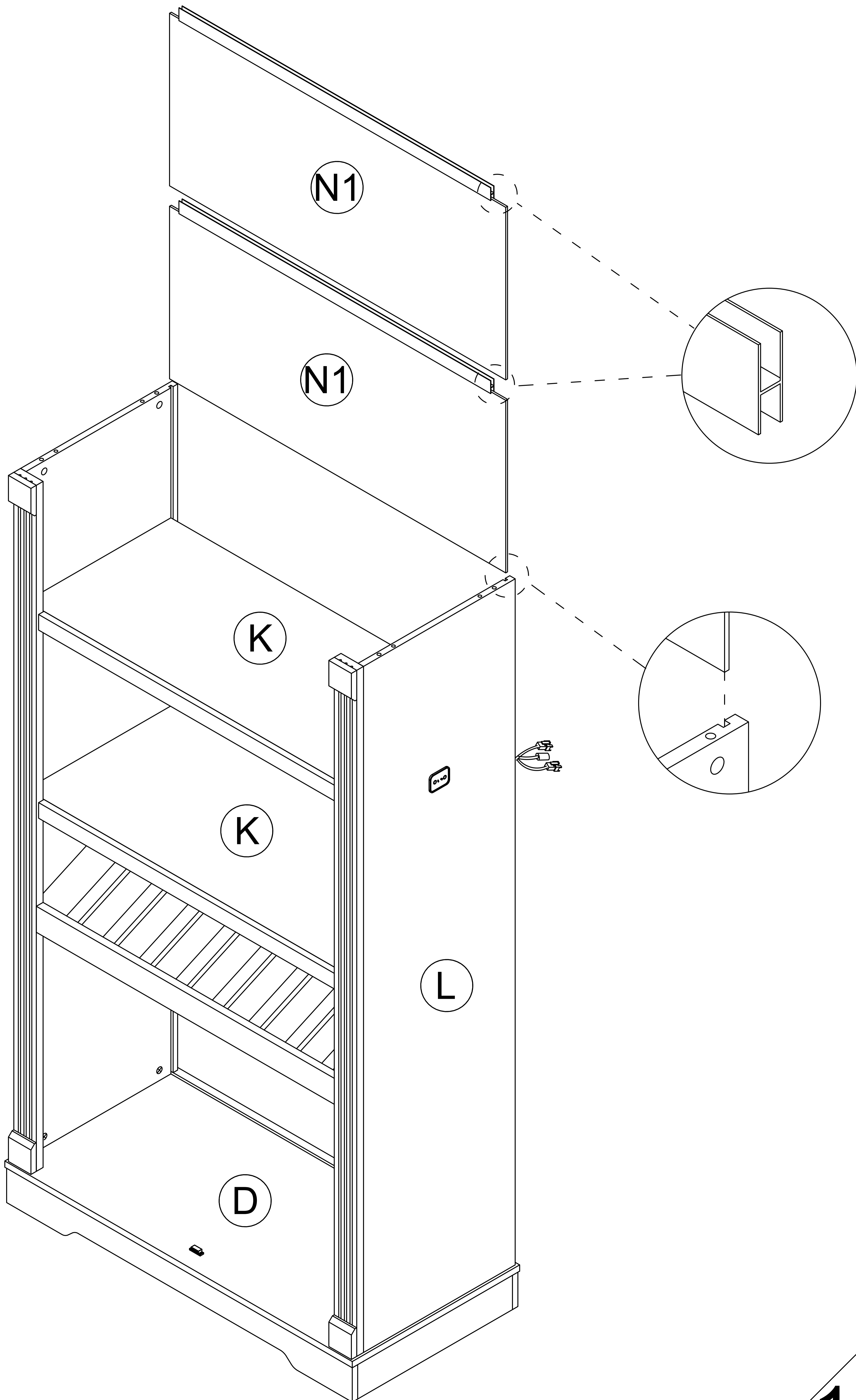


x4



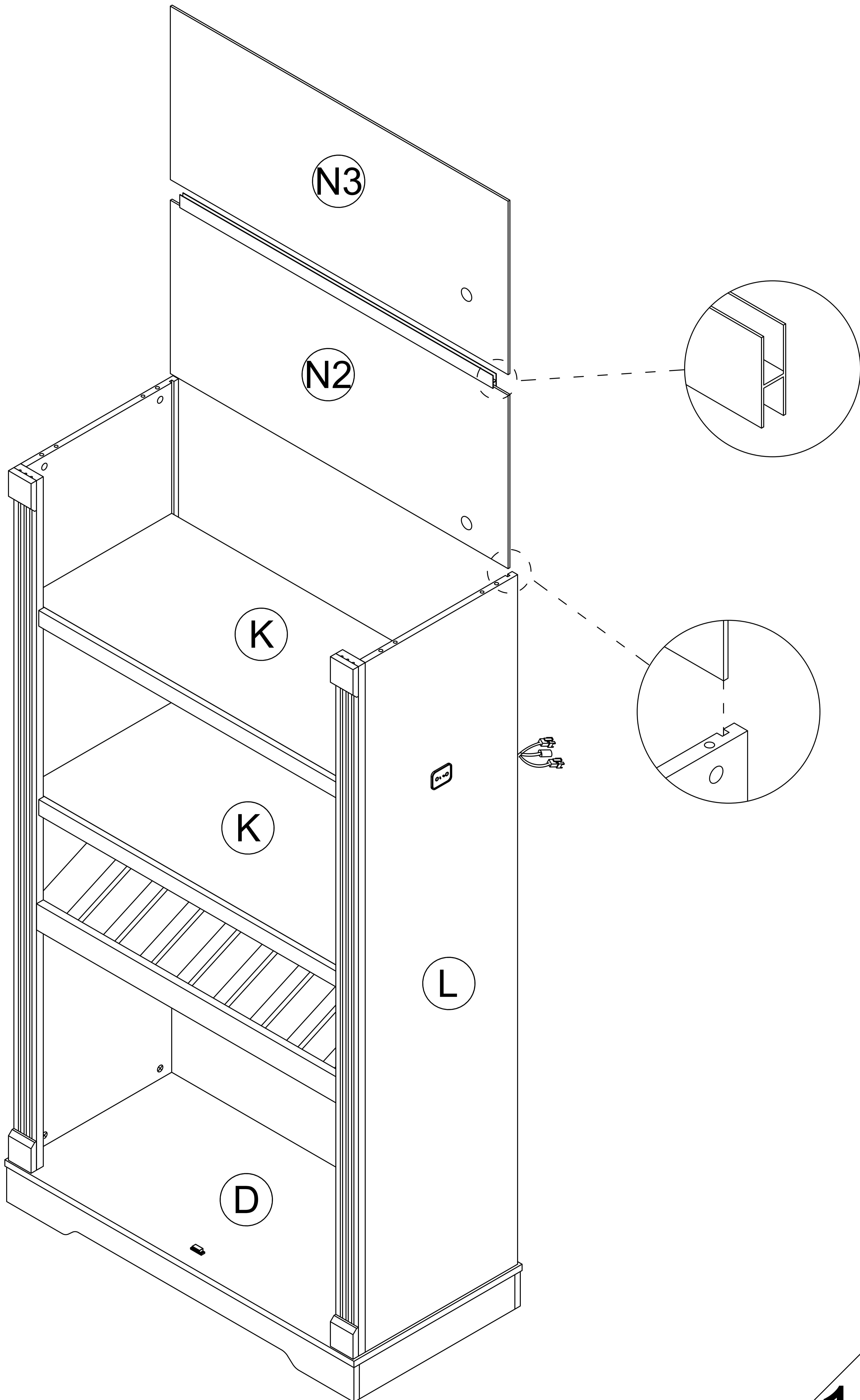
Step 20

6 x2

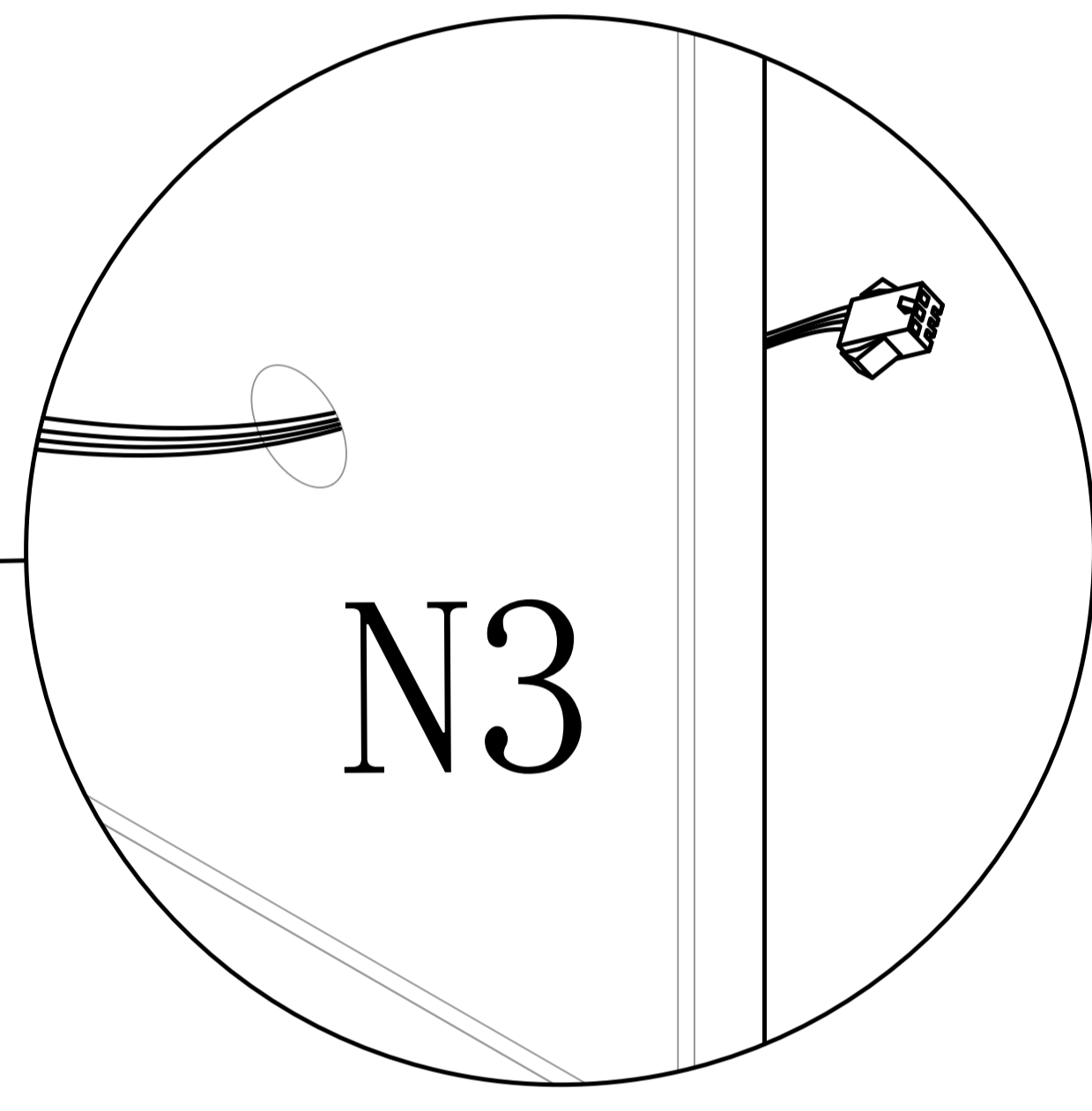
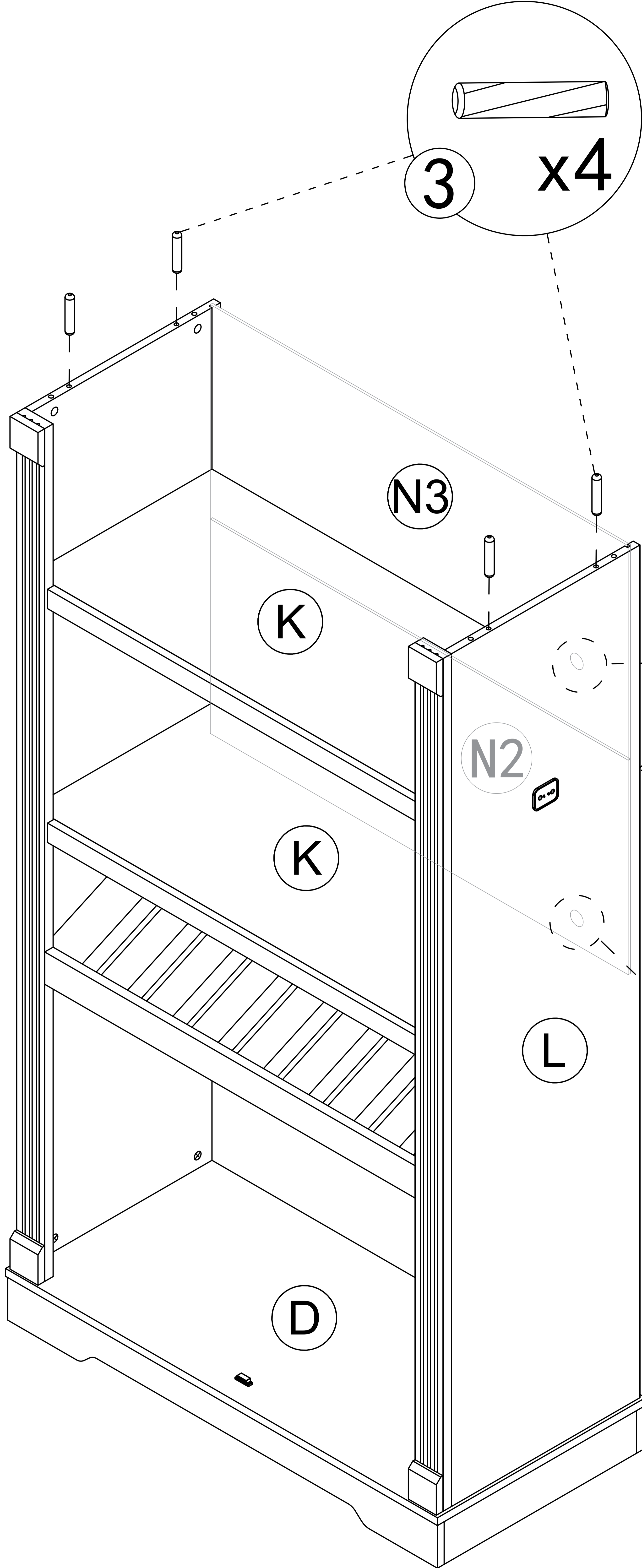
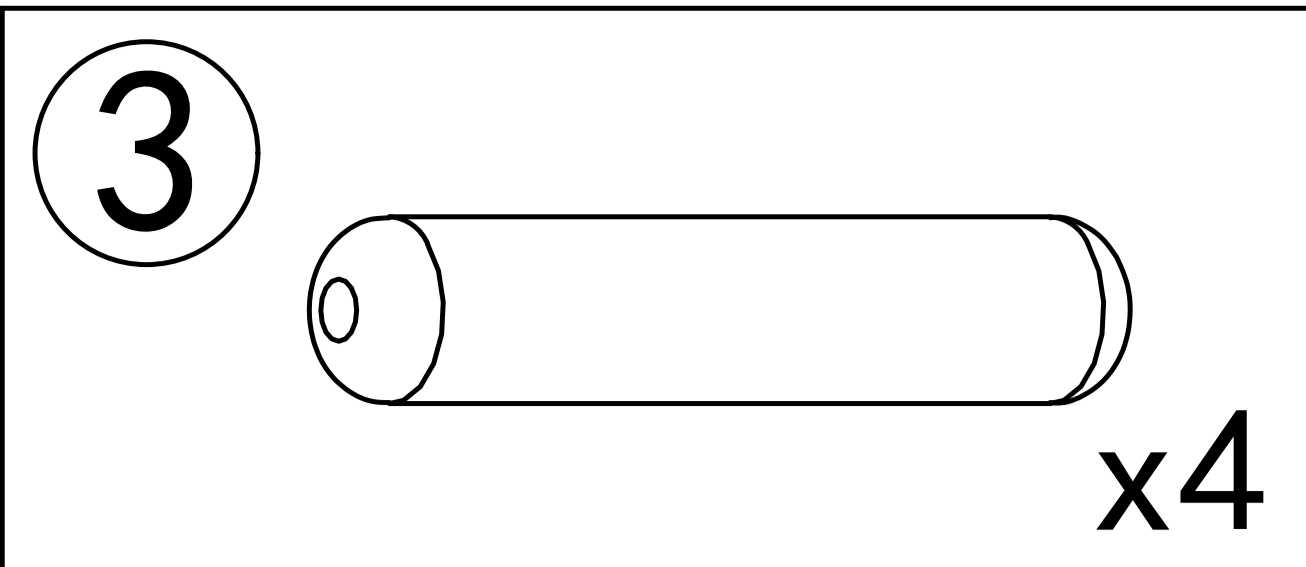


Step 21

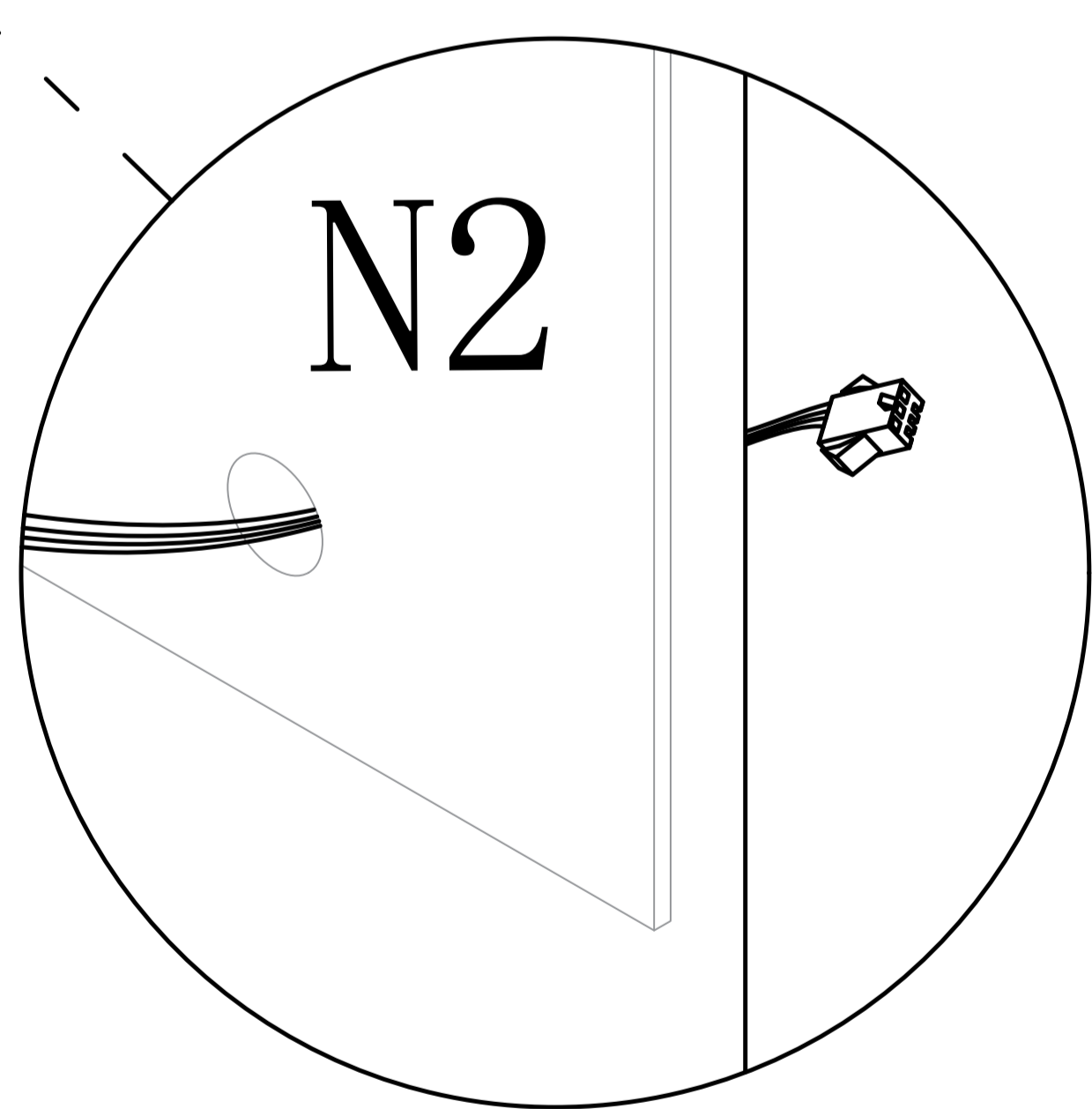
6 x1



Step 22



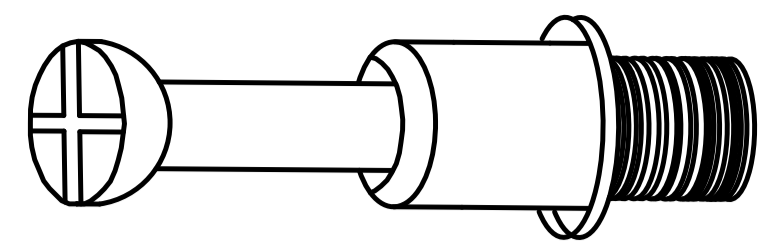

Passing through the hole of plate N3

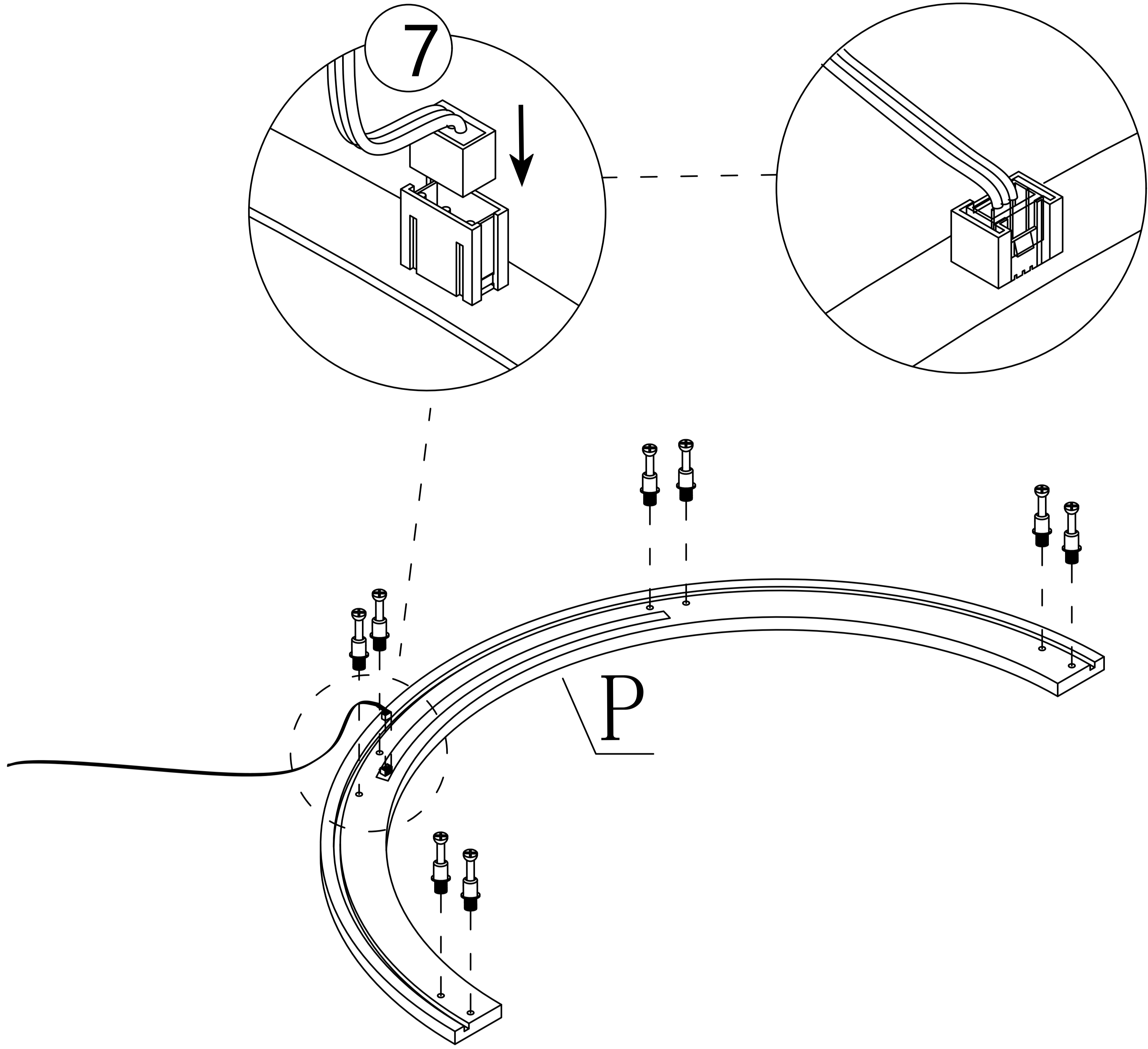


Passing through the hole of plate N2

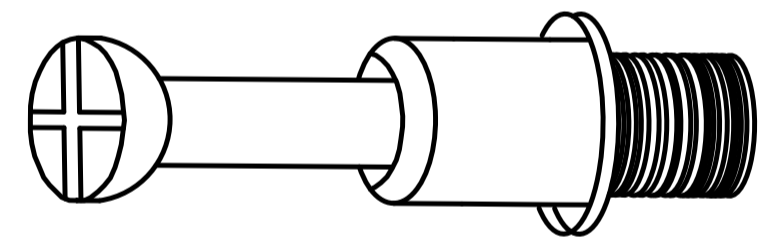
Step 23

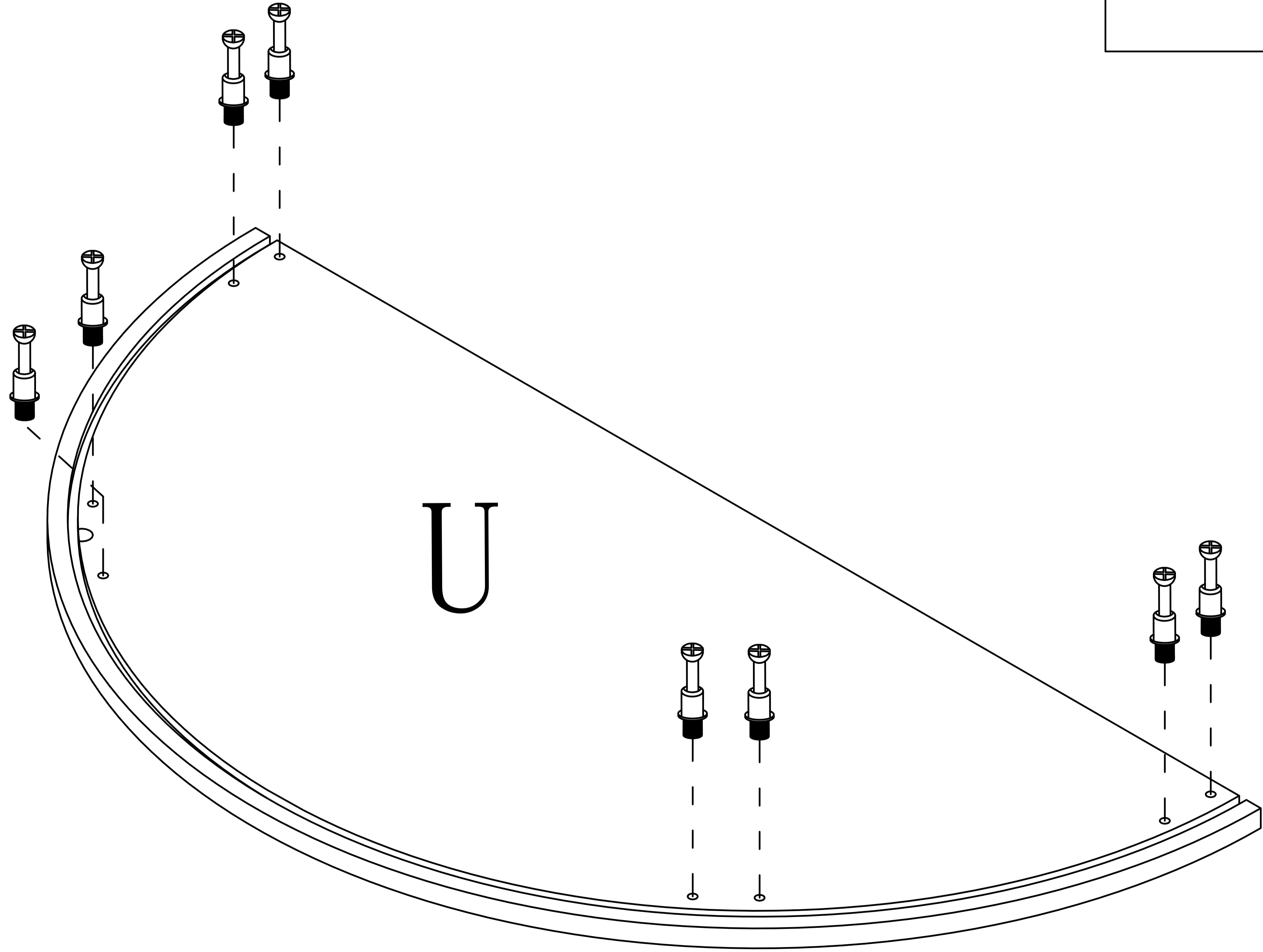
Connect the light cable socket

- 1  x8
- 7  x1

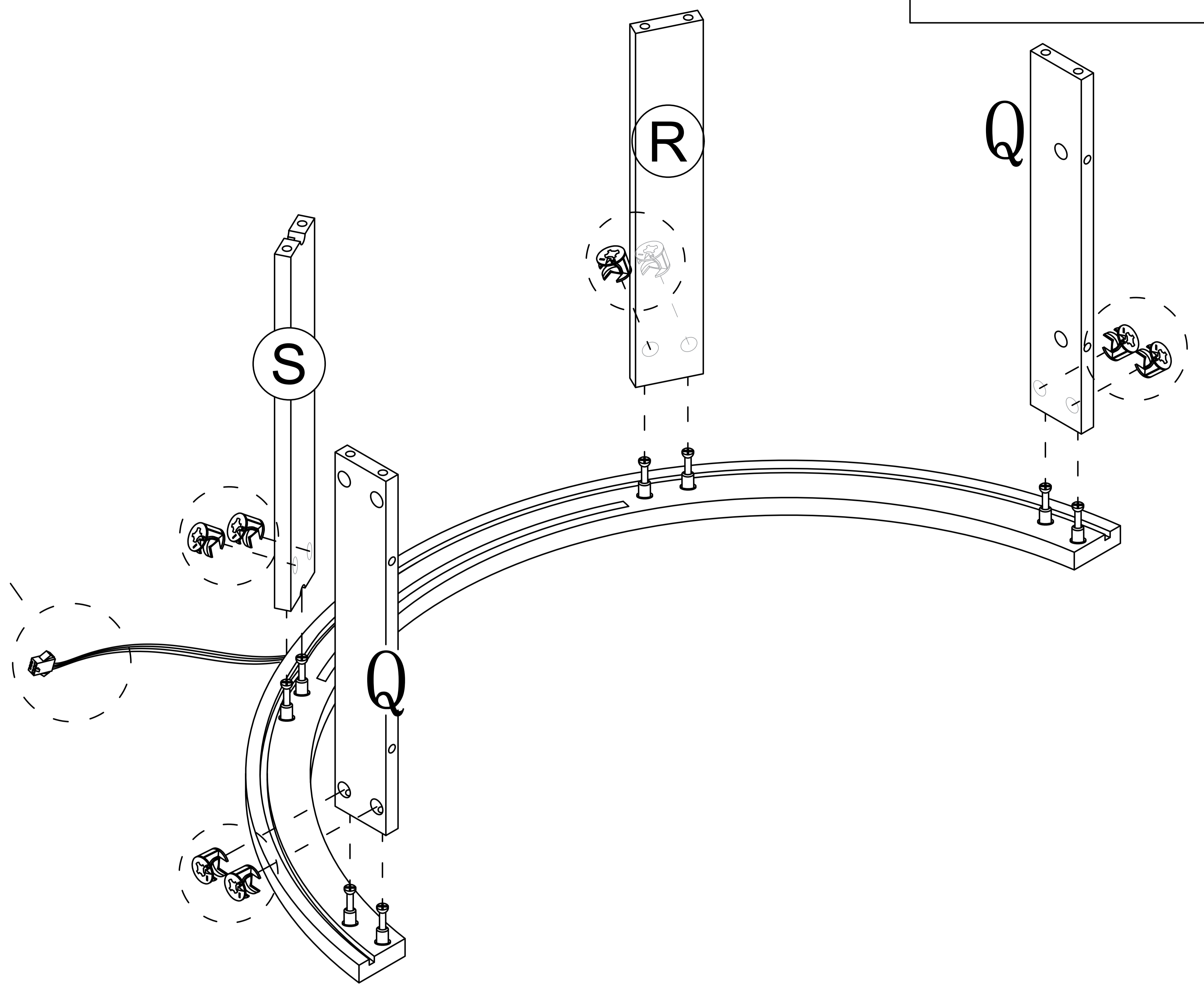
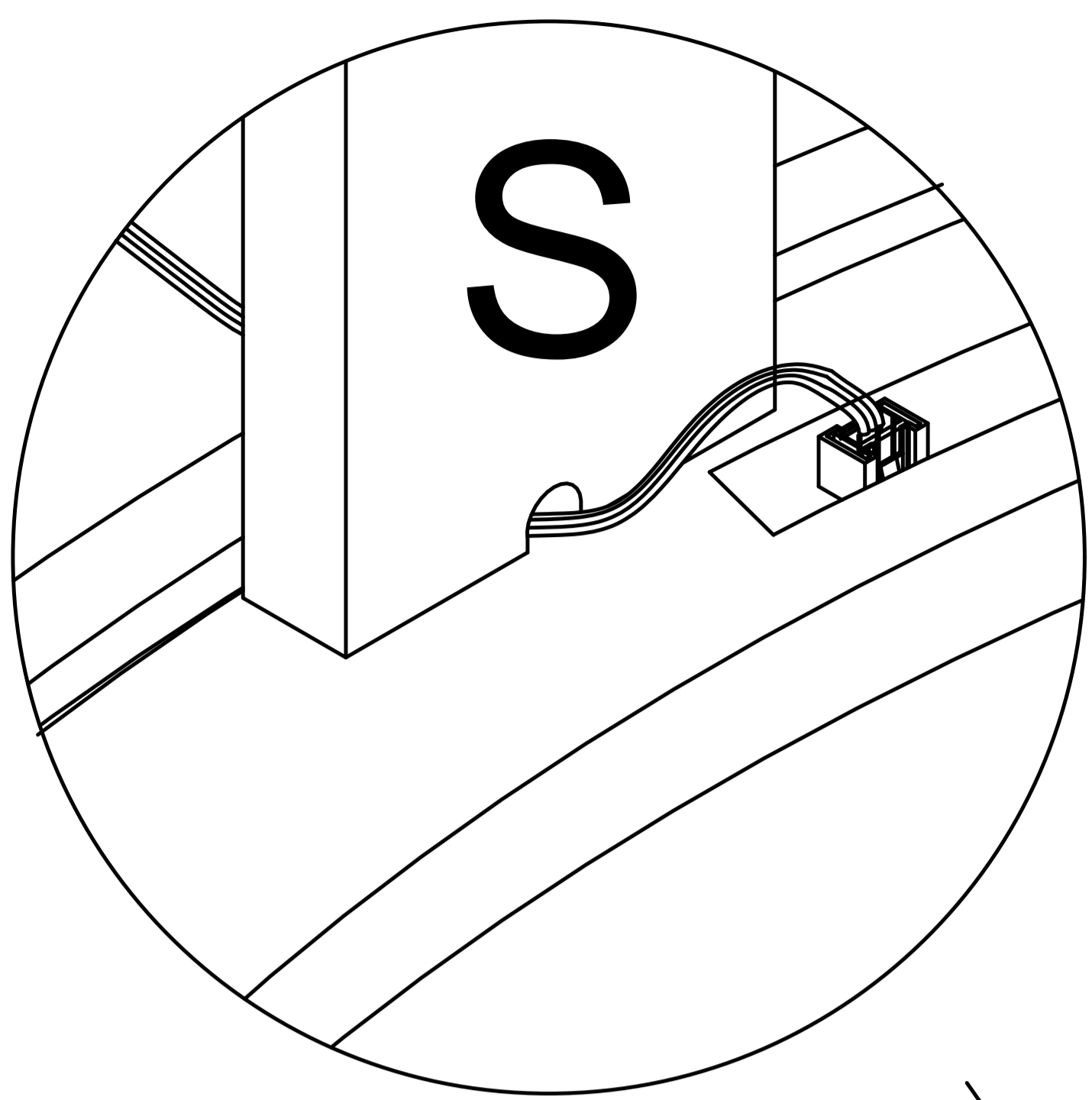
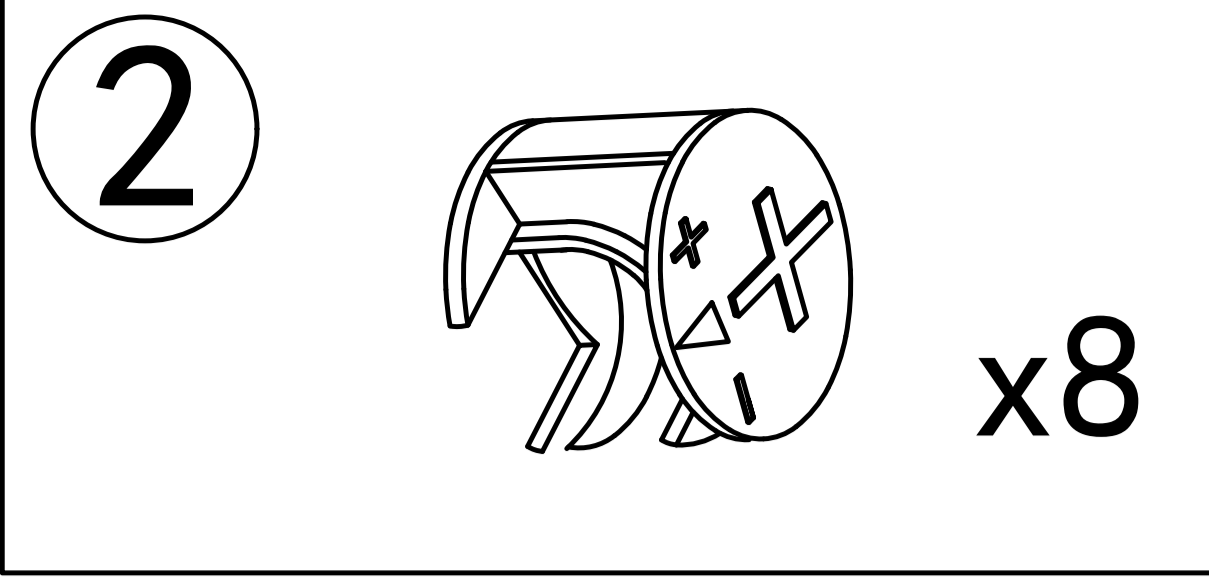


Step 24

- 1  x8

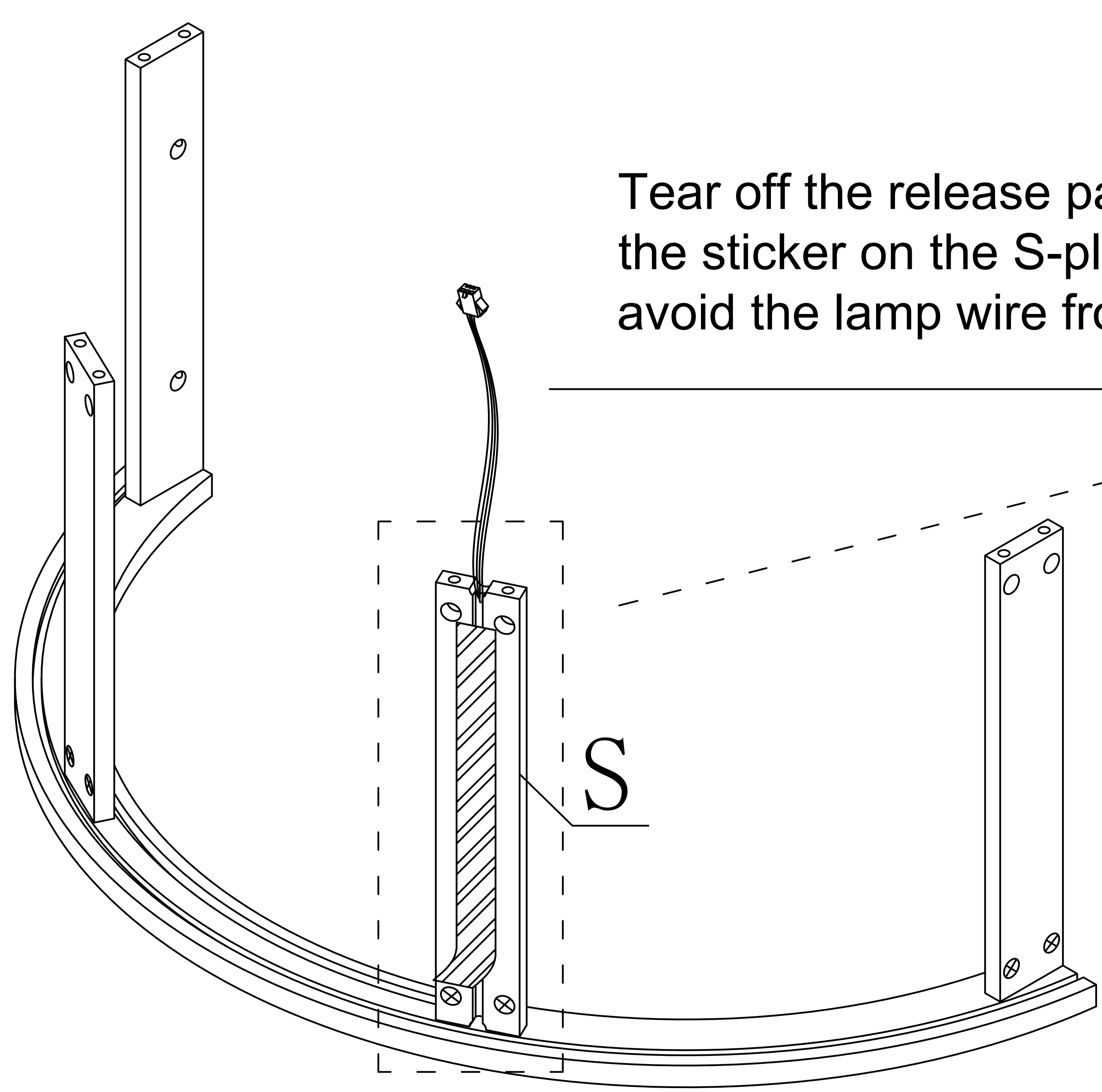
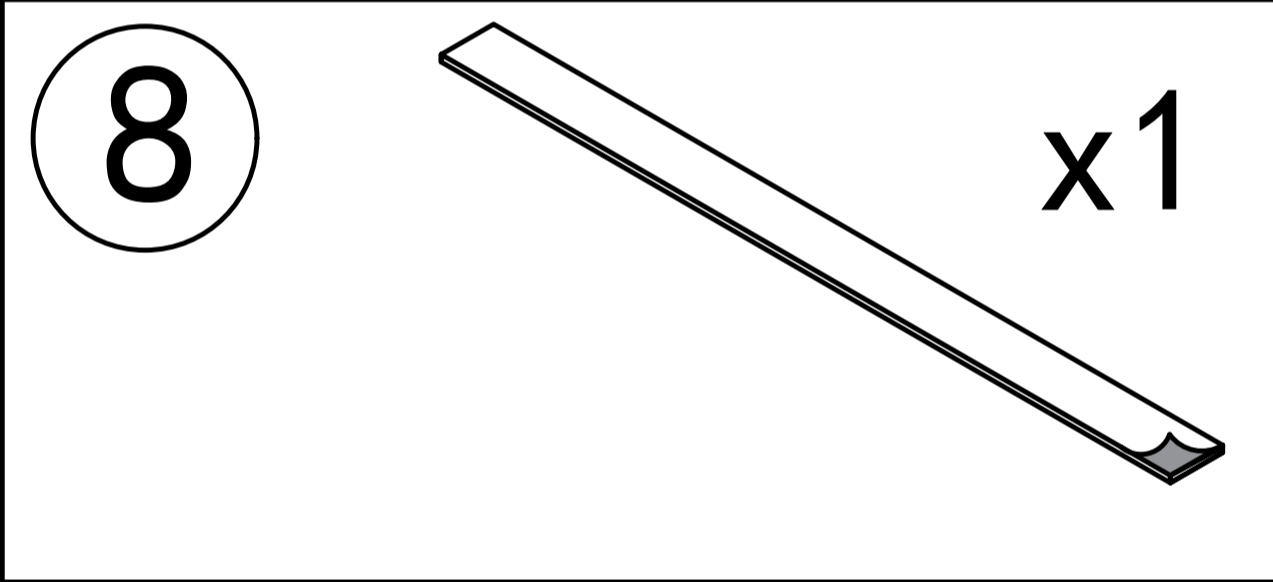


Step 25

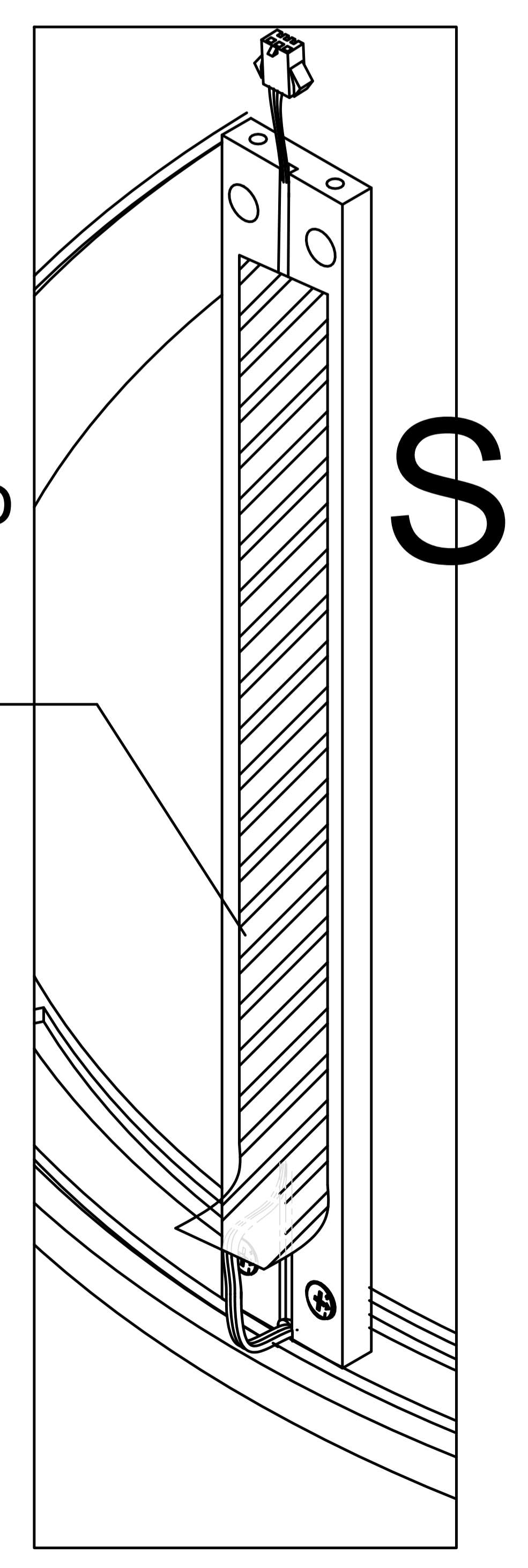


Thread the light wire through board S and tighten the nut

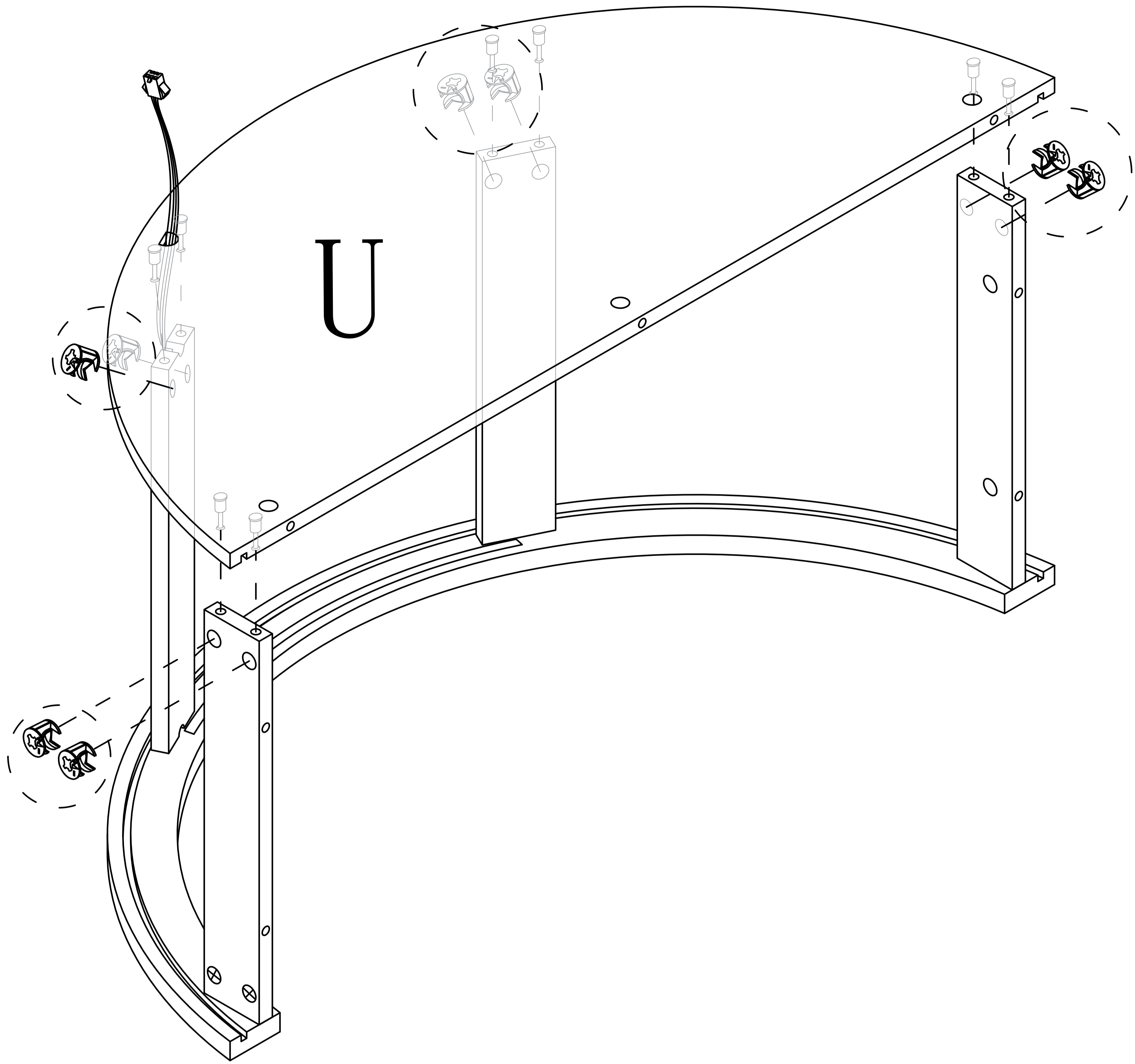
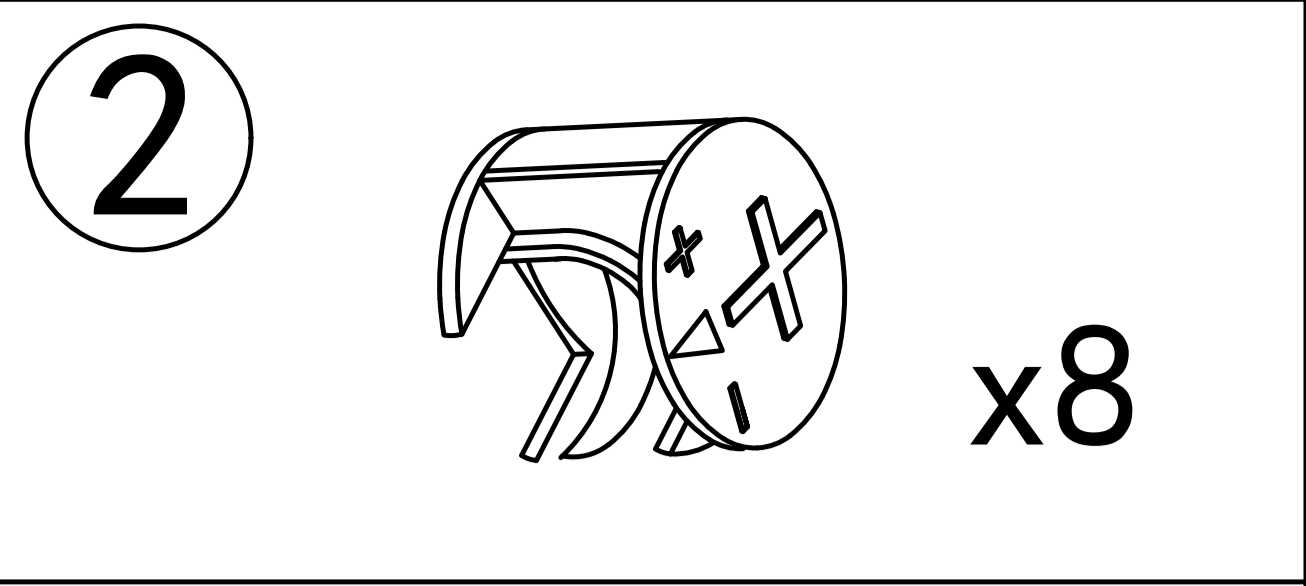
Step 26



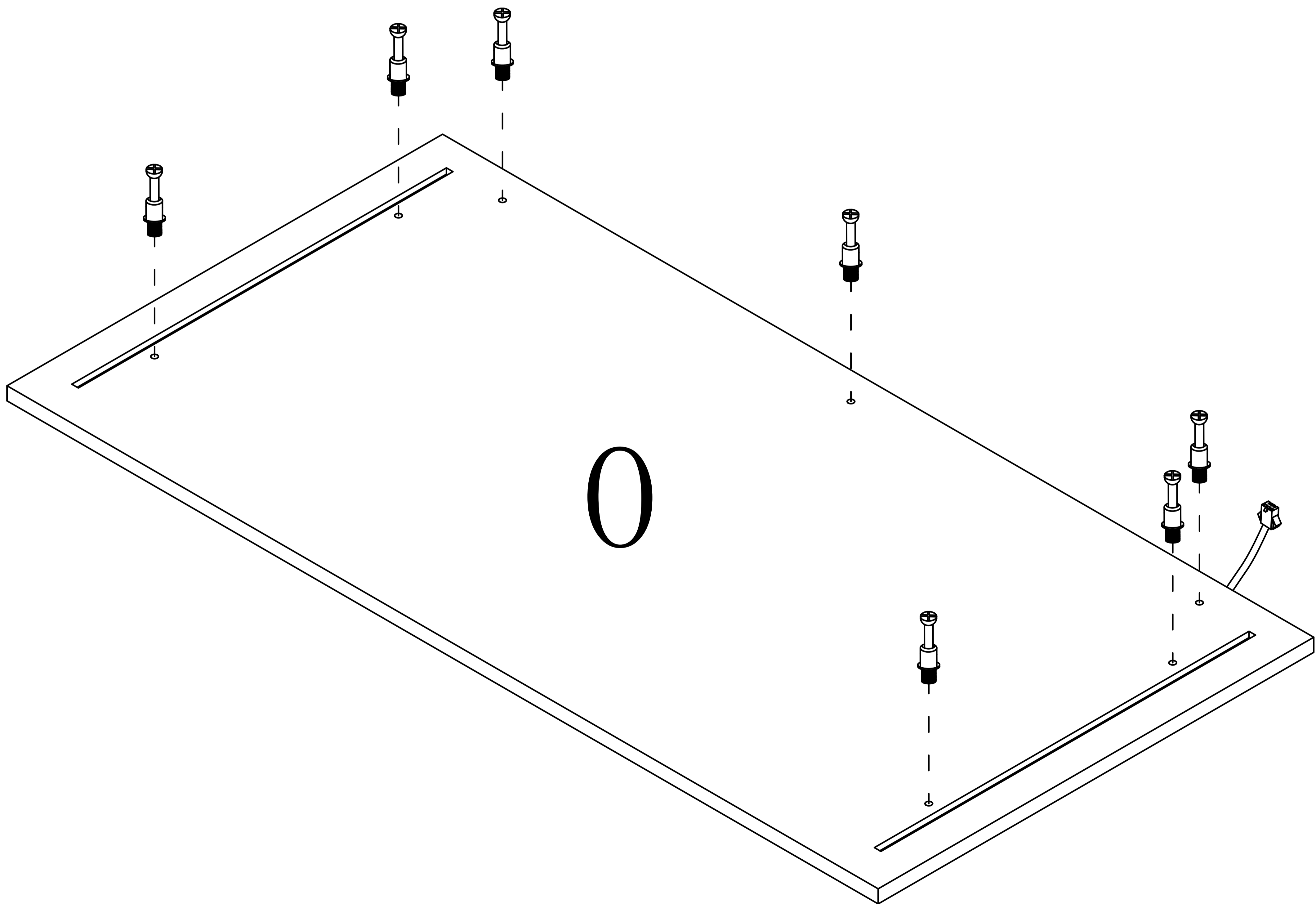
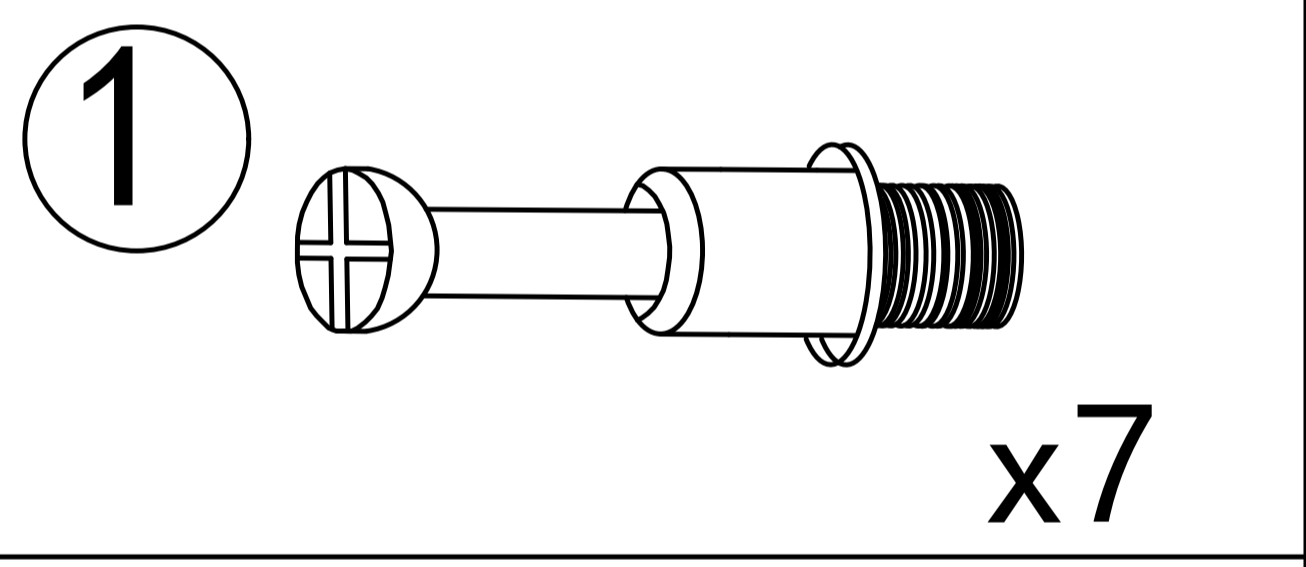
Tear off the release paper and stick the sticker on the S-plate lamp slot to avoid the lamp wire from falling off.



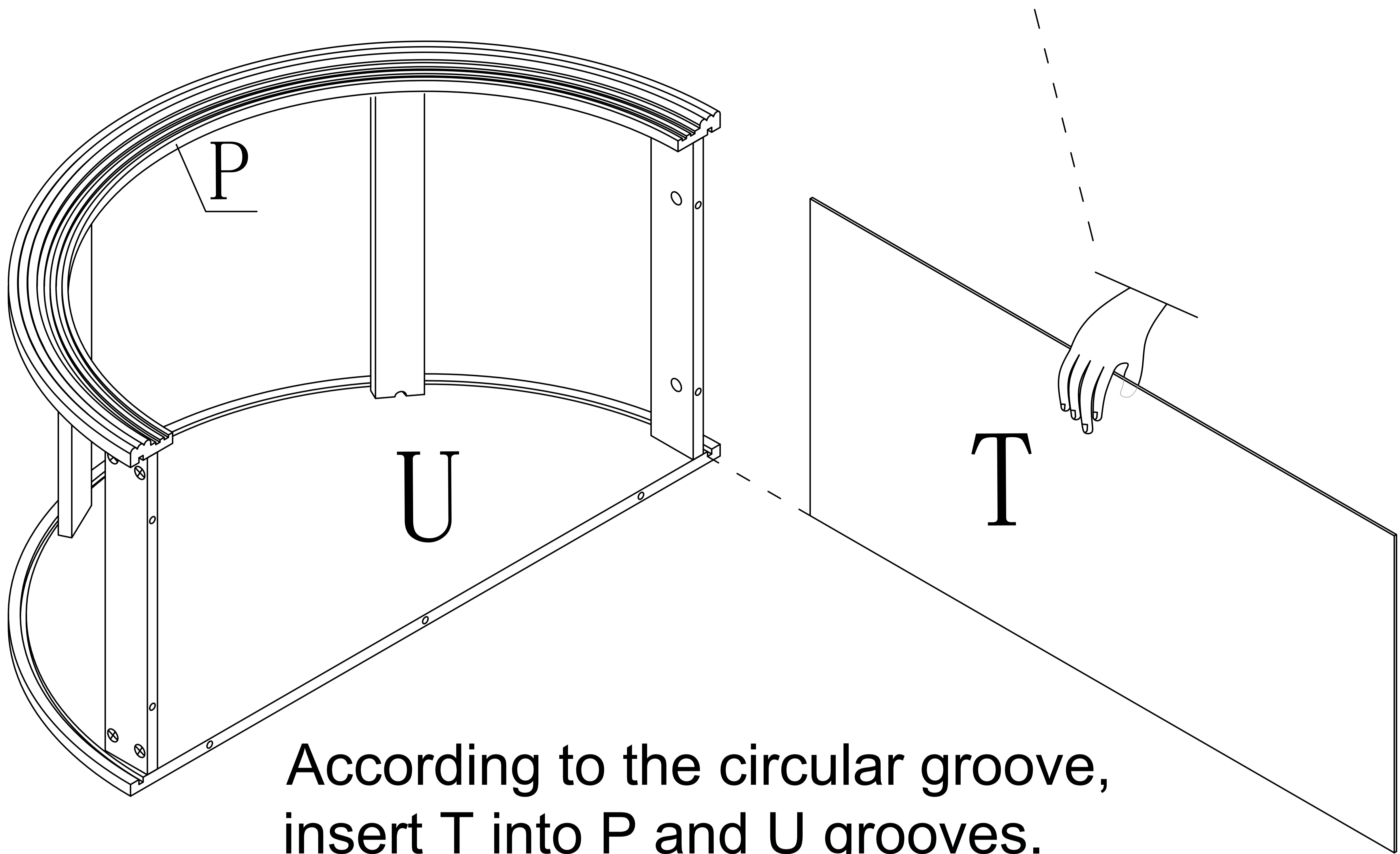
Step 27



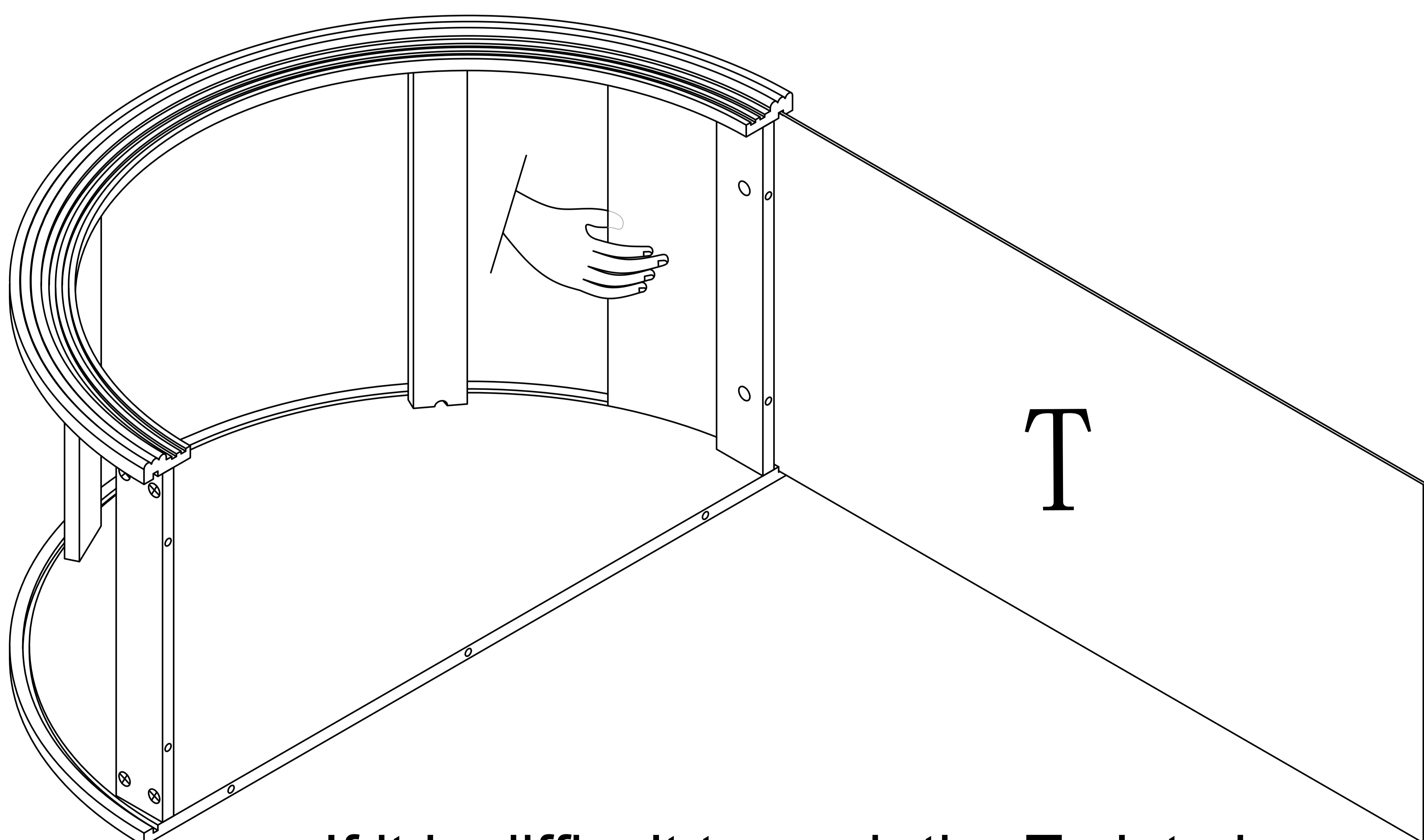
Step 28



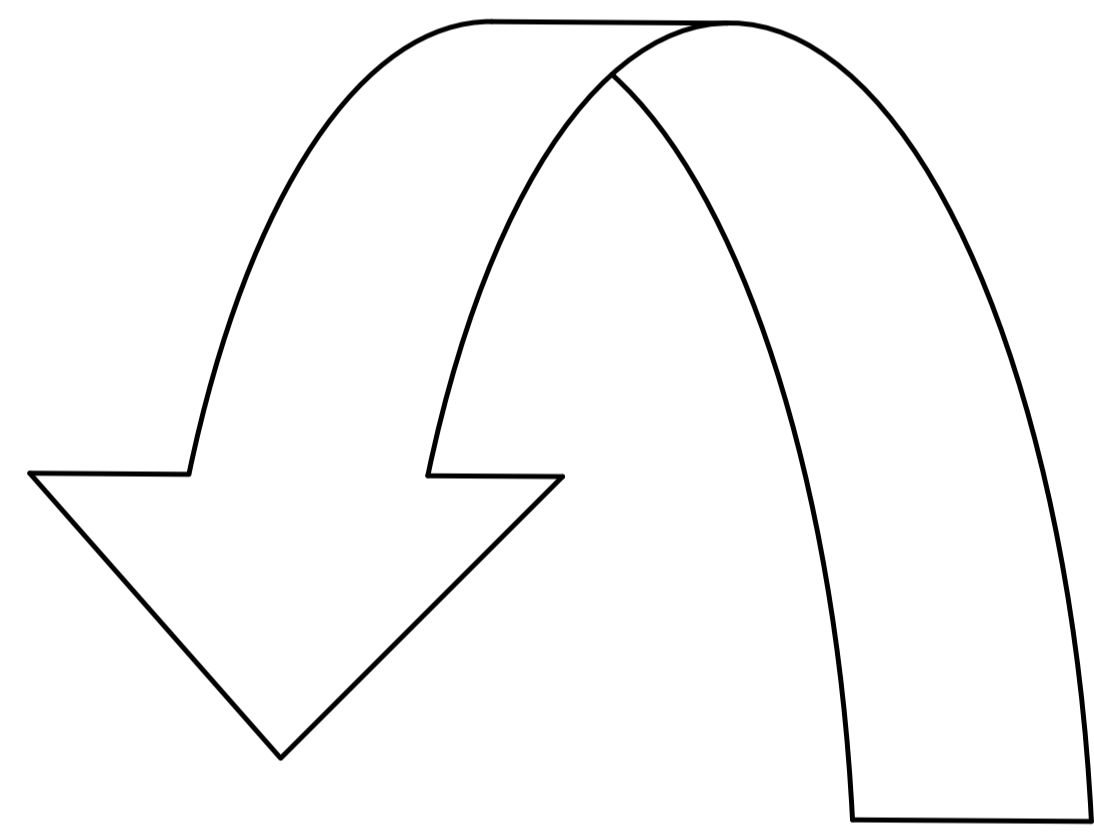
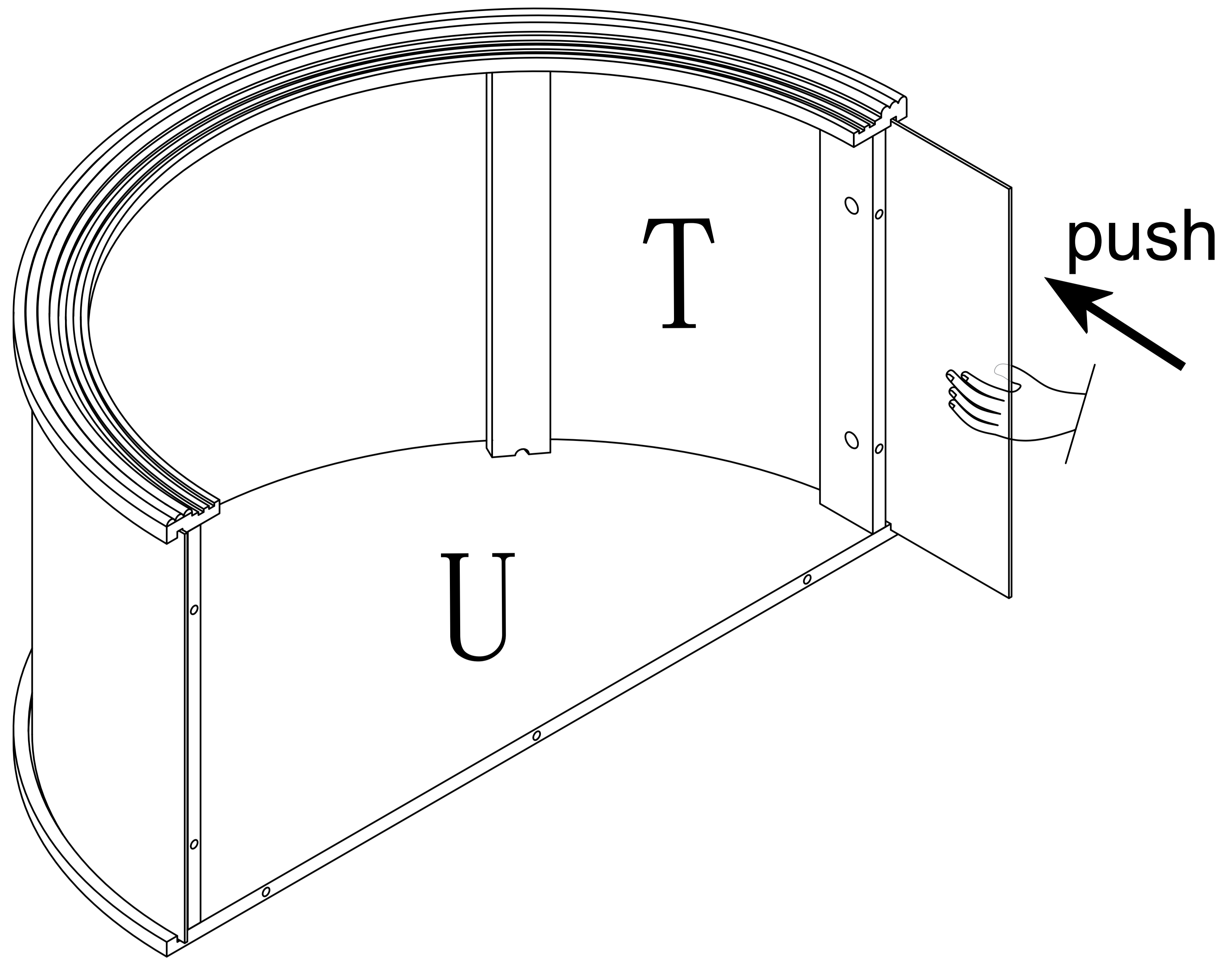
Note: When installing the T plate, push the middle of the T plate by hand to push the T plate into the groove.



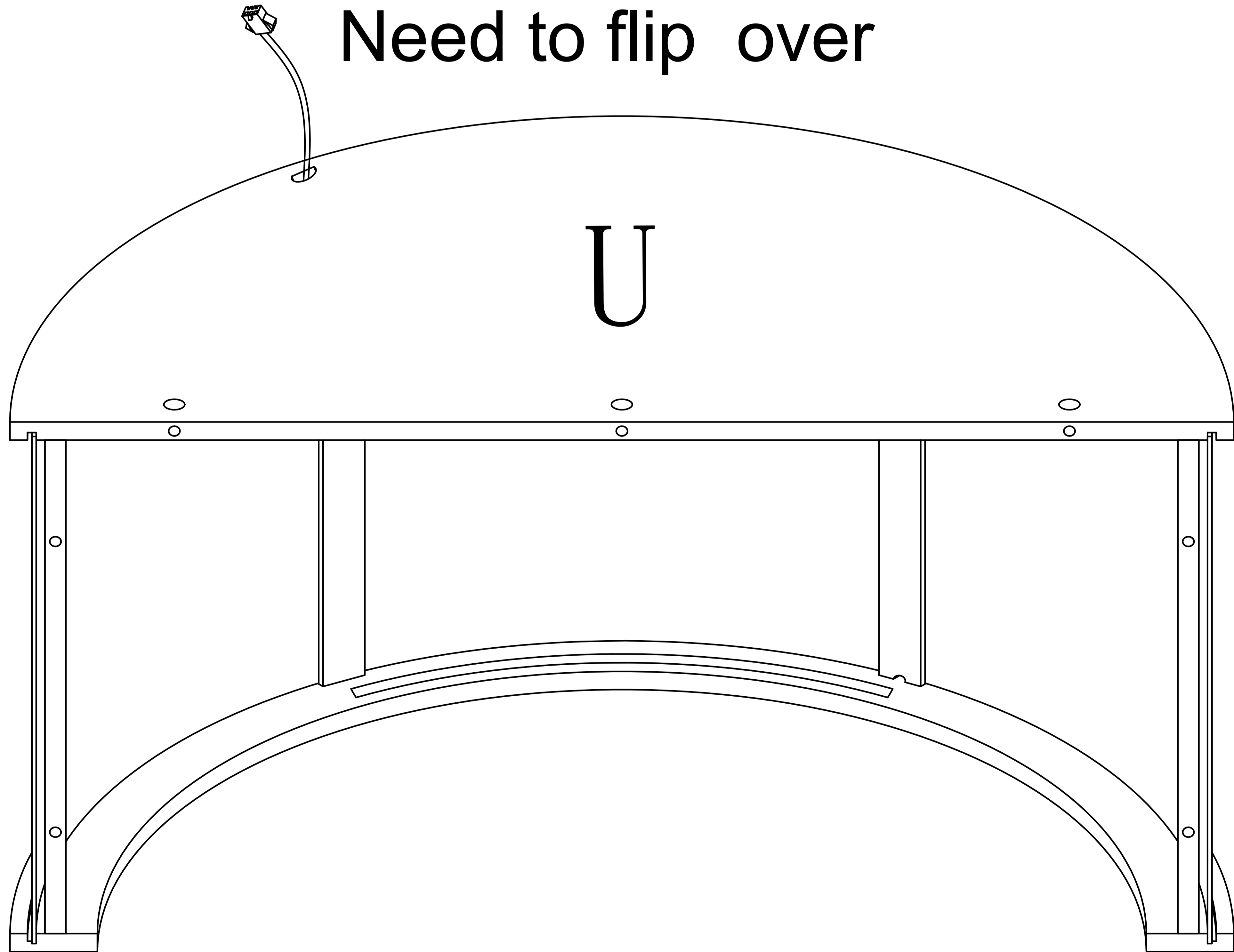
According to the circular groove, insert T into P and U grooves.



If it is difficult to push the T plate in, you can use the pull method.

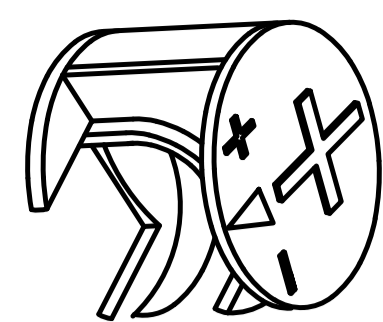


Need to flip over

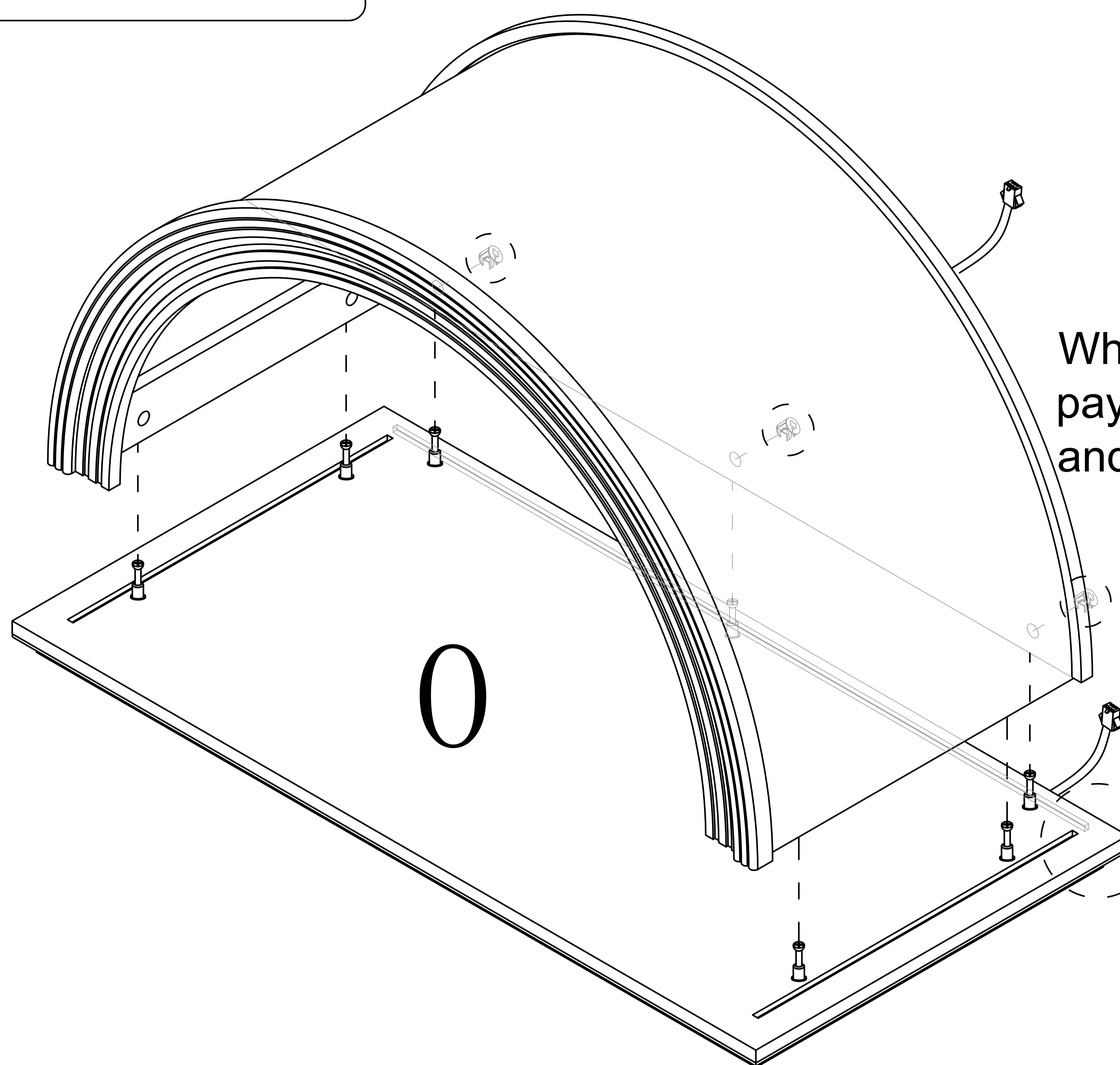


Step 29

2

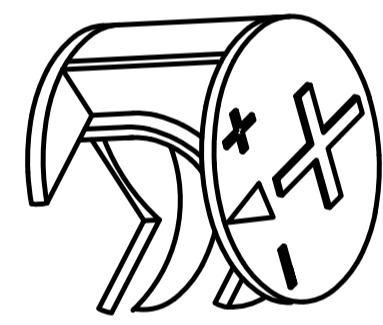


x3



When installing the U plate, pay attention to the front and back, and there is a groove under the O plate.

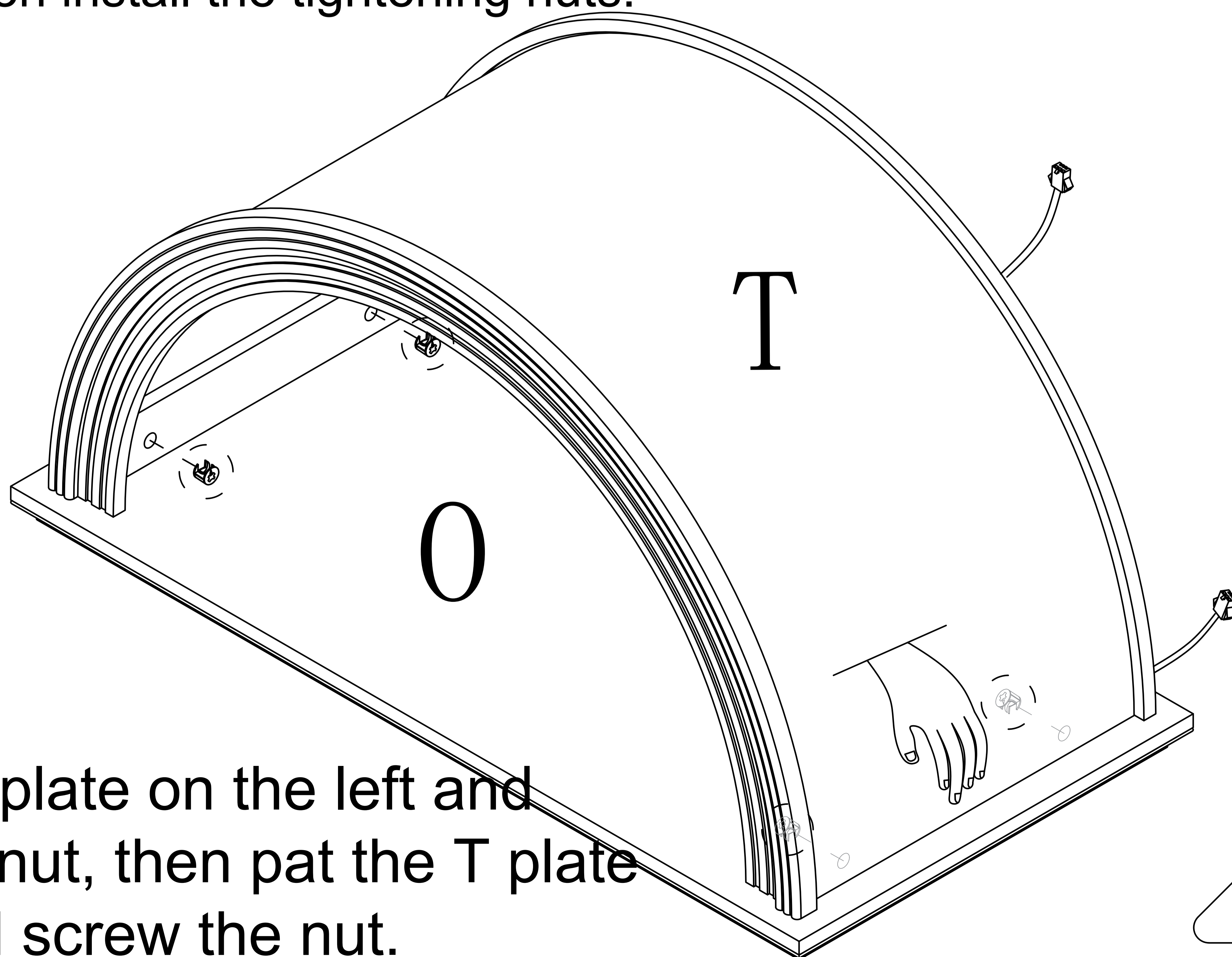
2



x4

Step 30

Note: After installing the O board, you need to pat the backboards on both sides into the grooves of the O board by hand. Then install the tightening nuts.

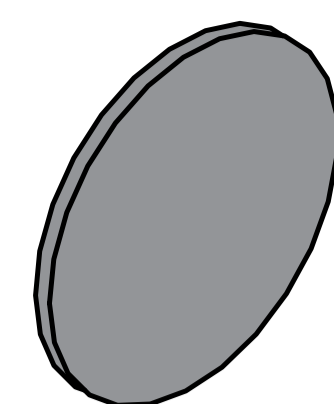


Note: pat the T plate on the left and then screw the nut, then pat the T plate on the right and screw the nut.

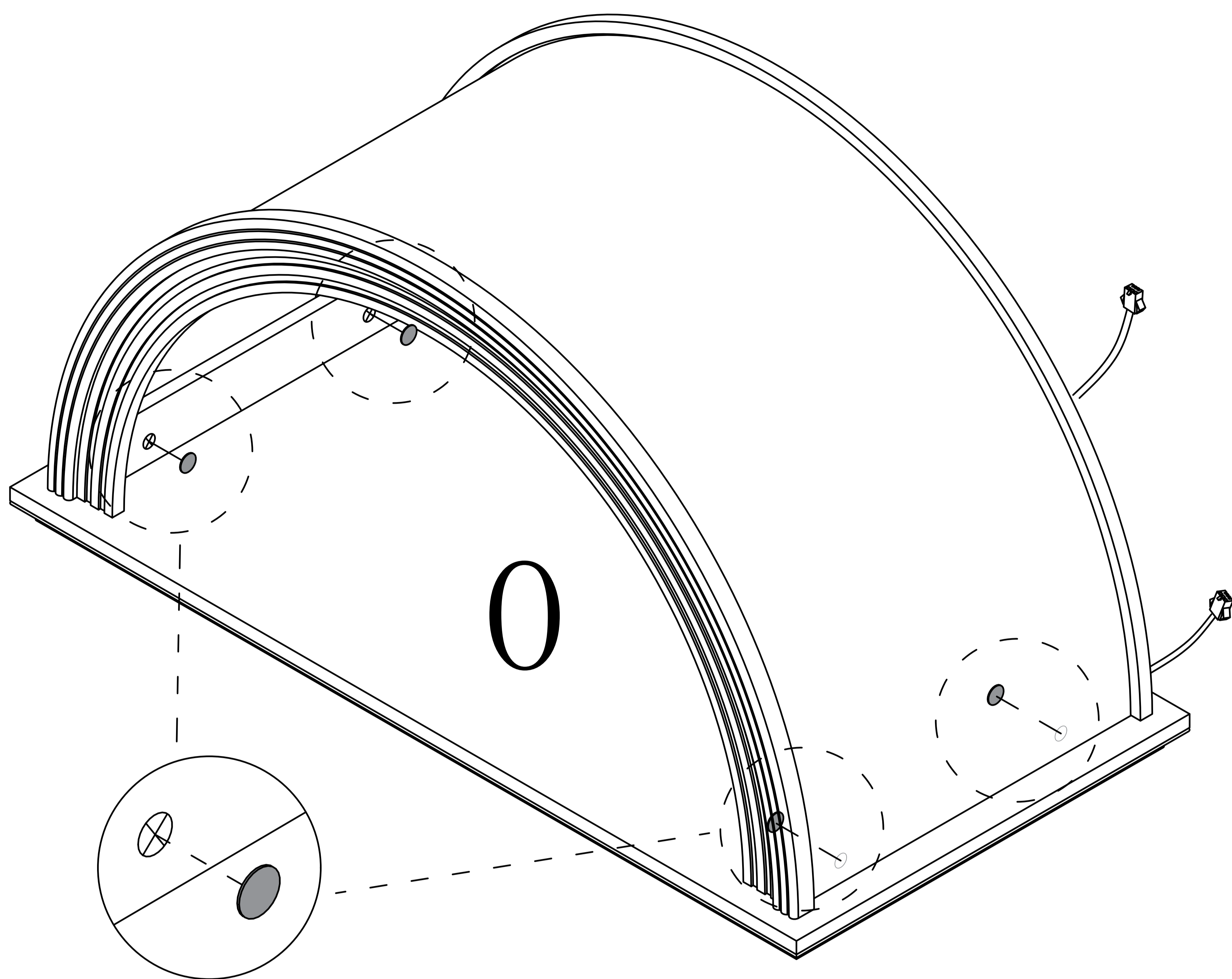
23

Step 31

8

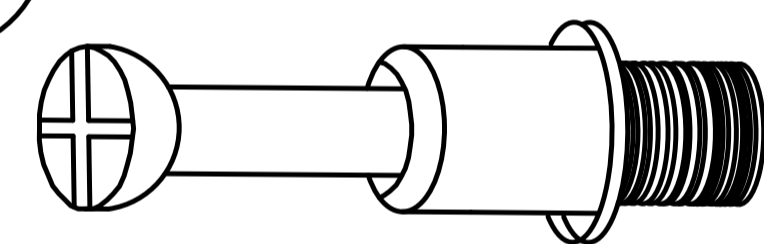


x4



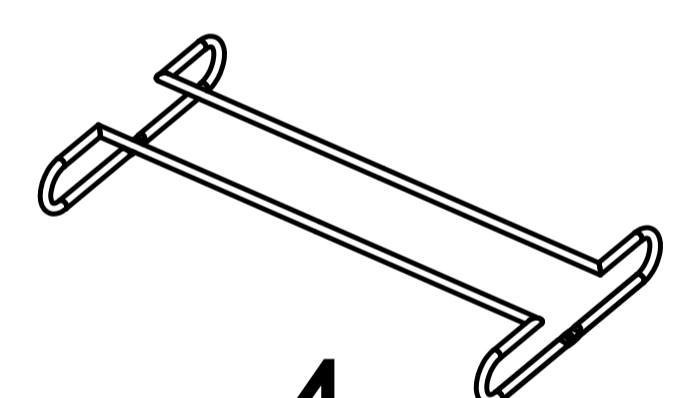
Step 32

1

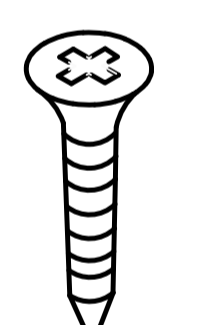


x4

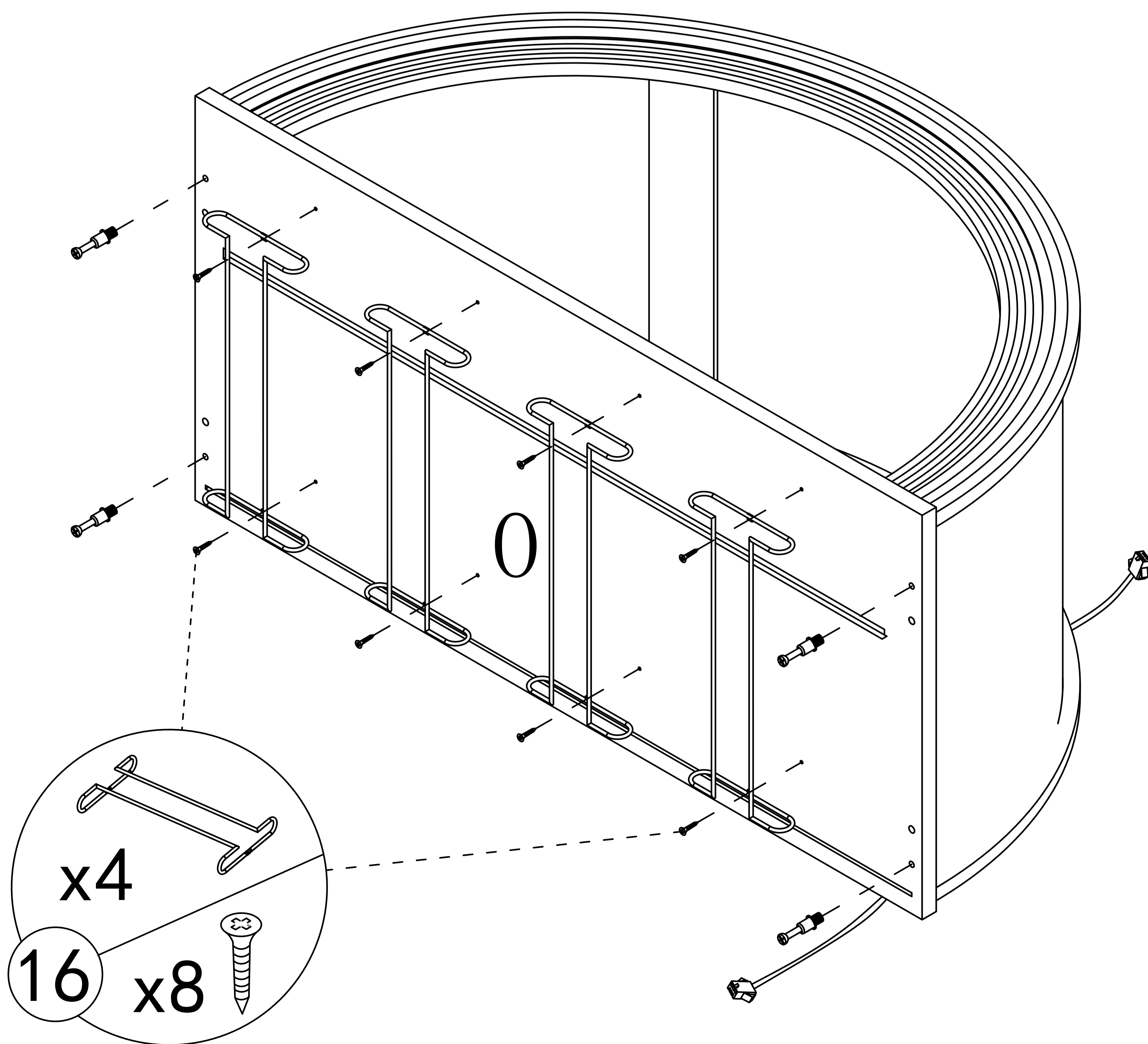
16



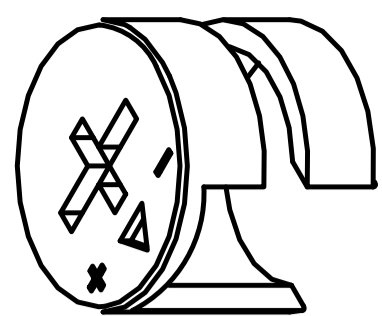
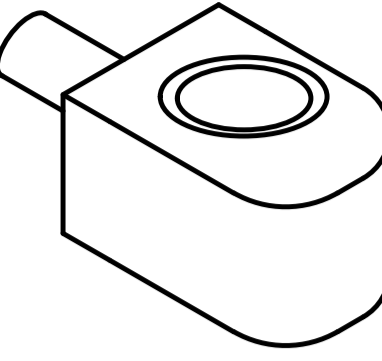
x4

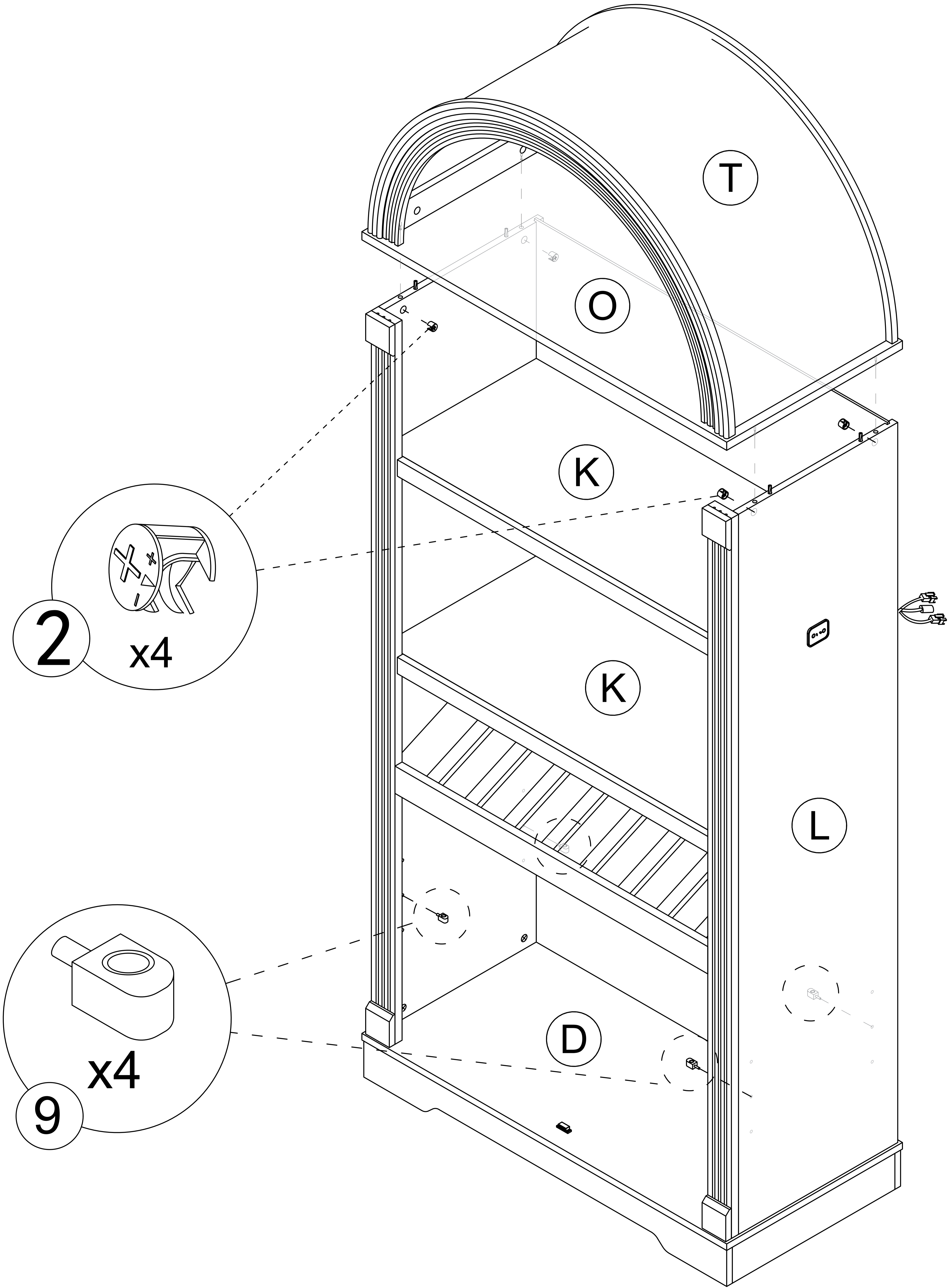


x8

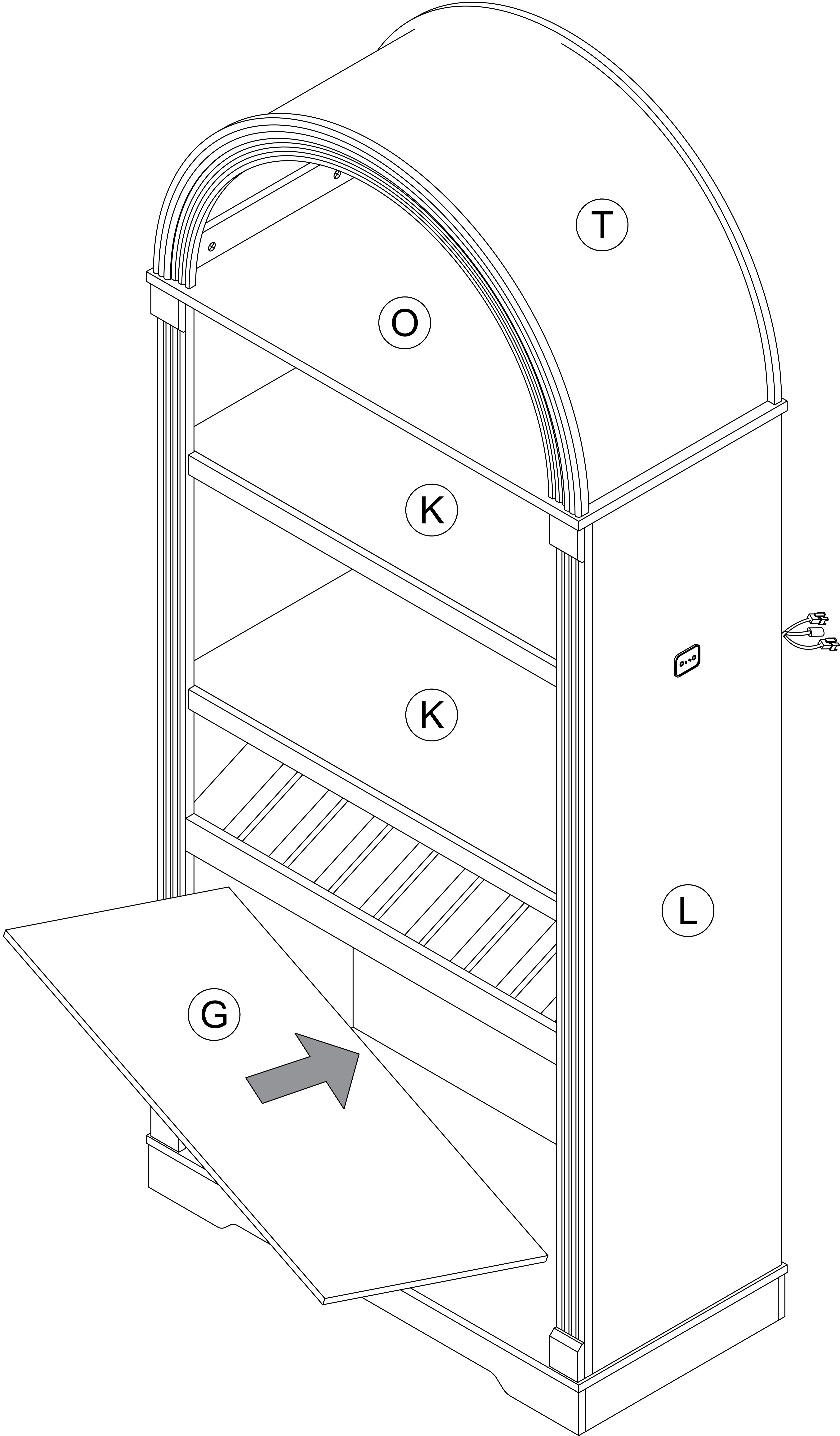


Step 33

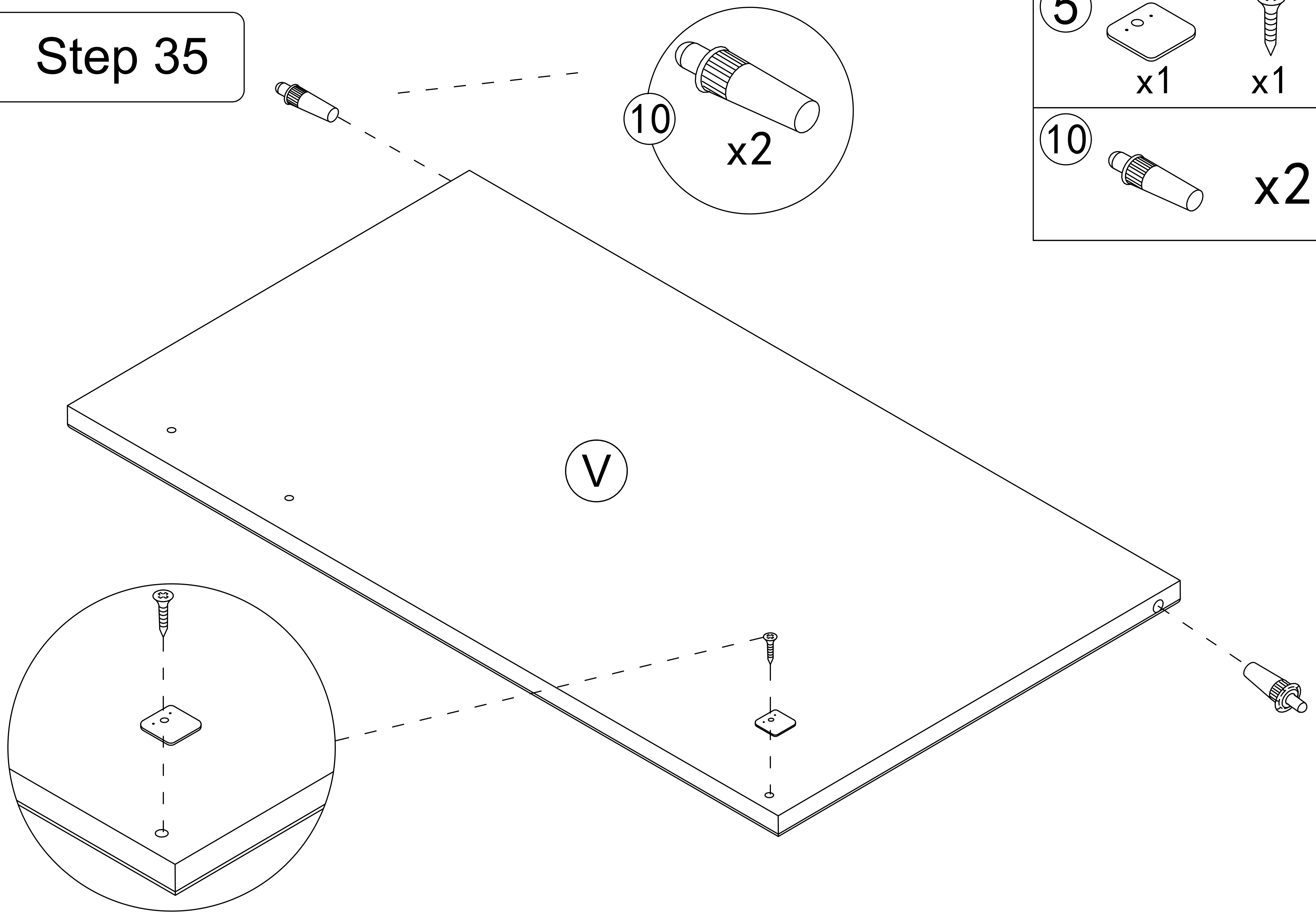
- 2  x4
- 9  x4



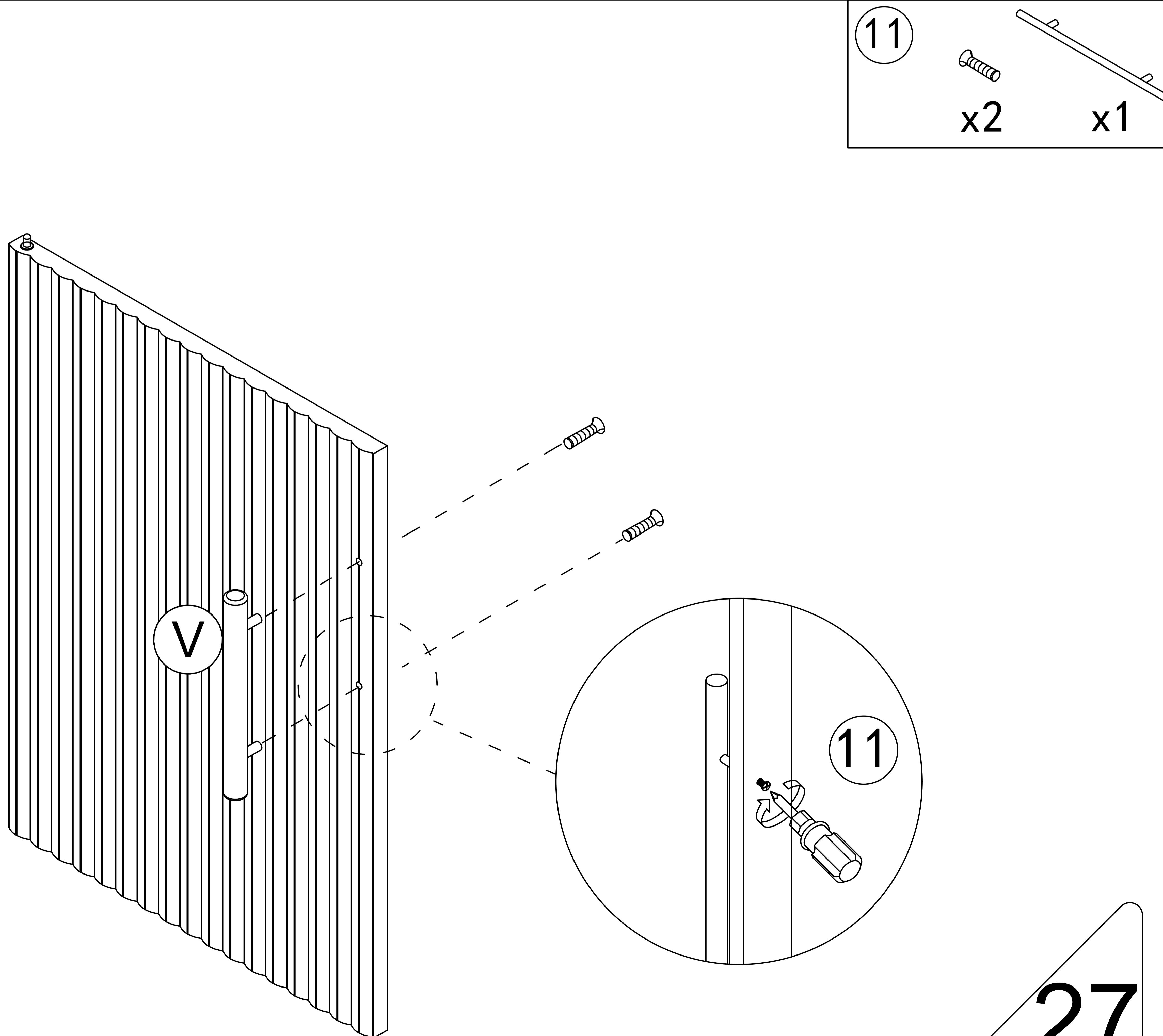
Step 34



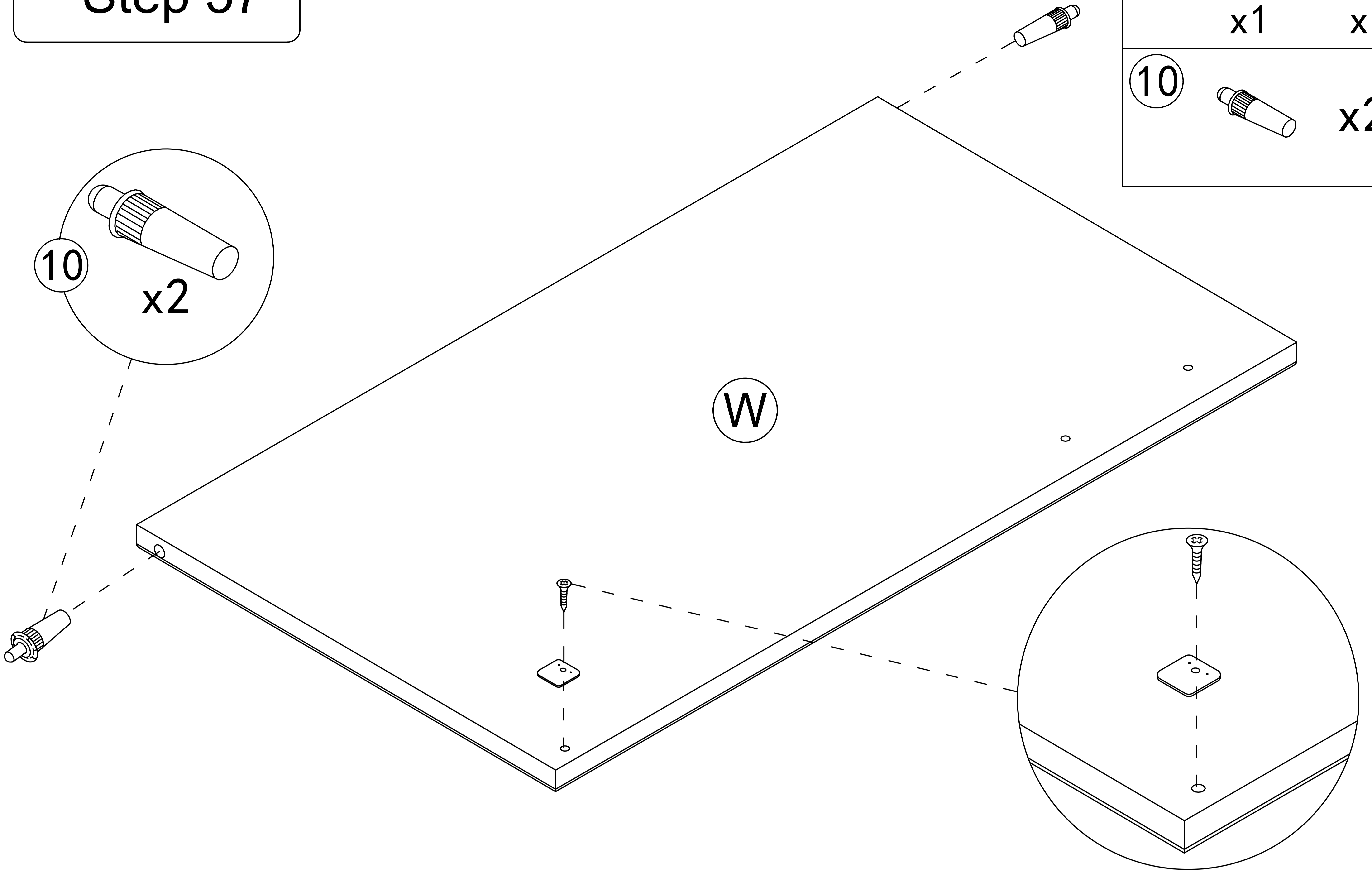
Step 35



Step 36

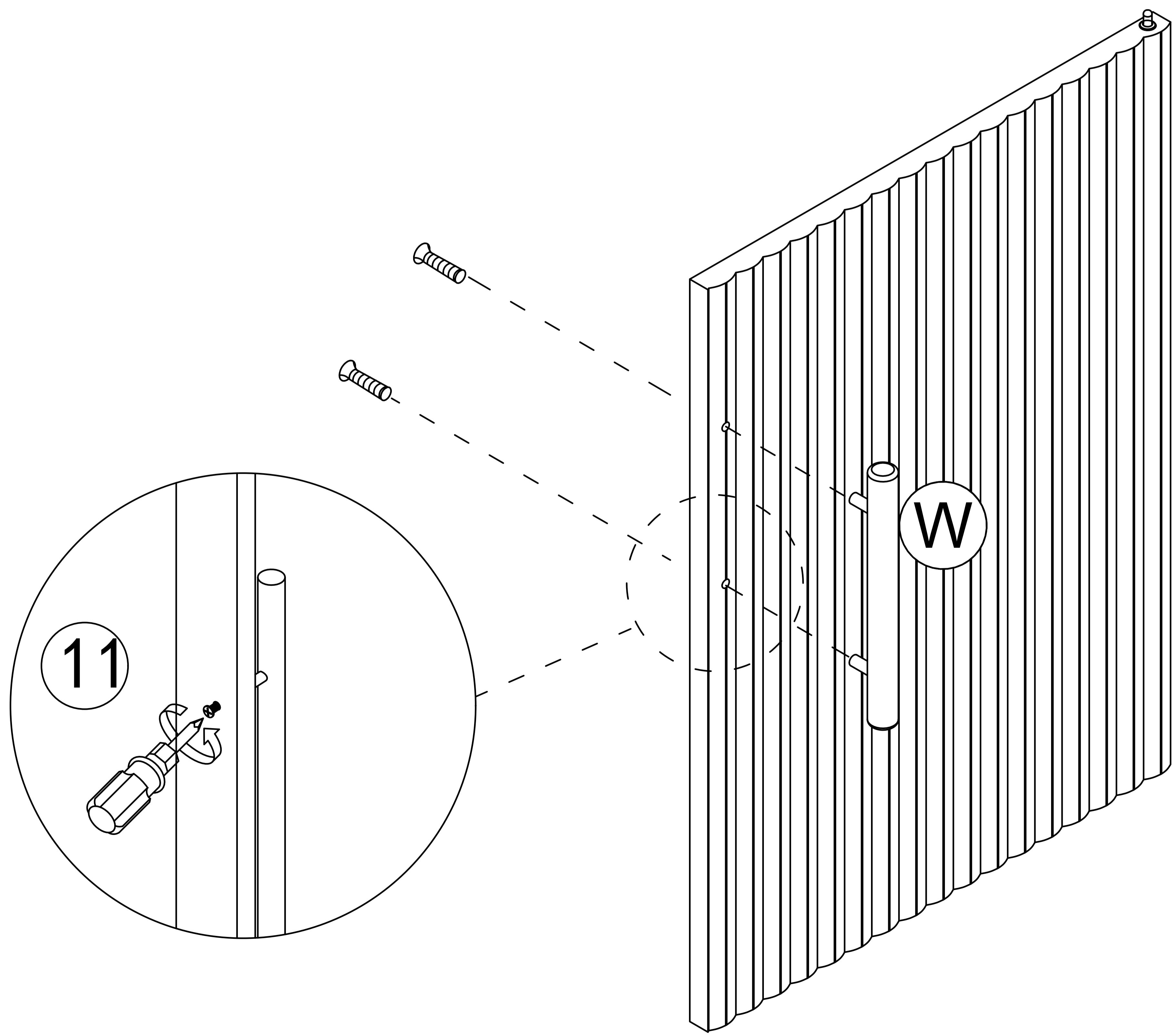


Step 37



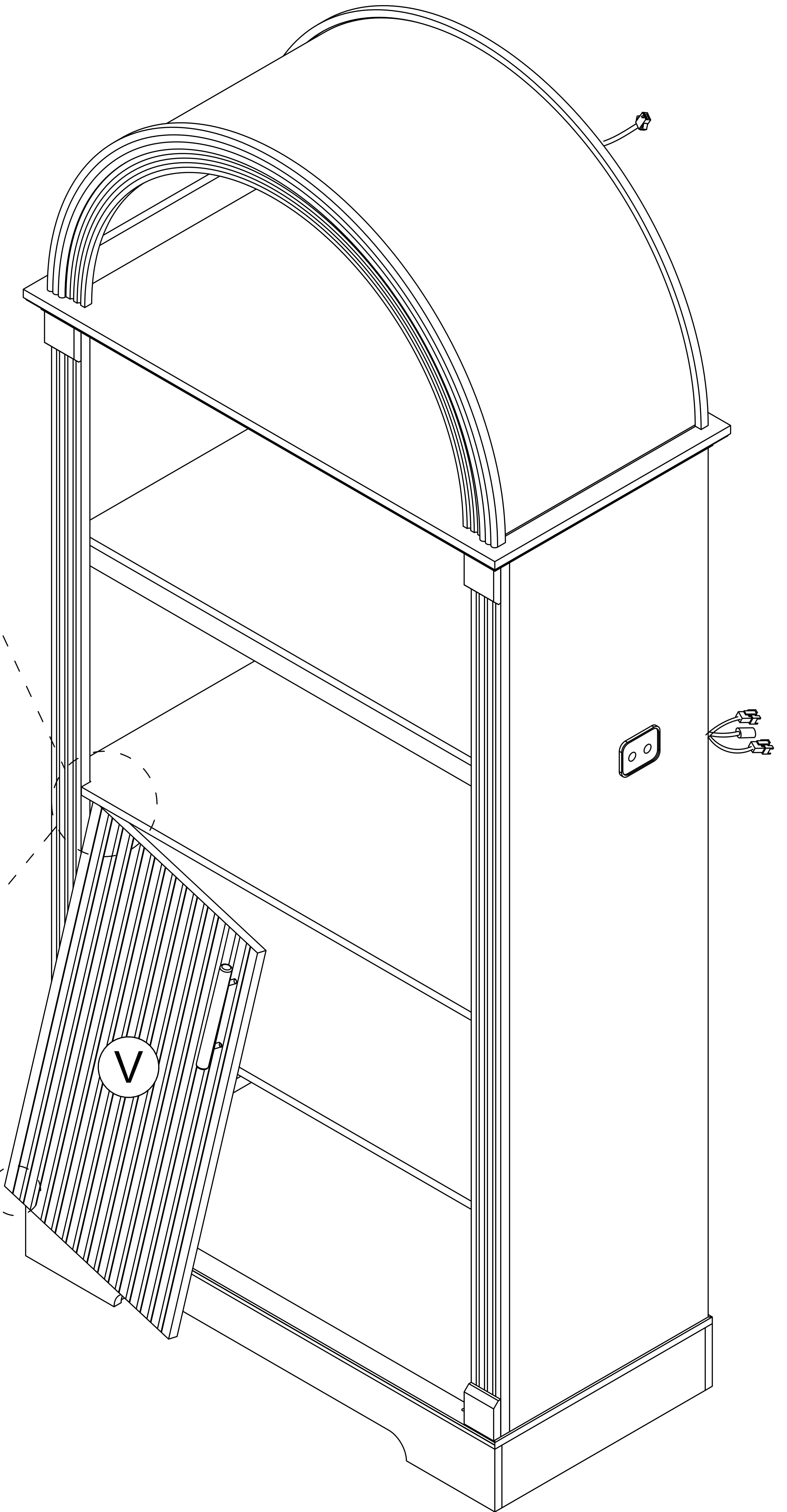
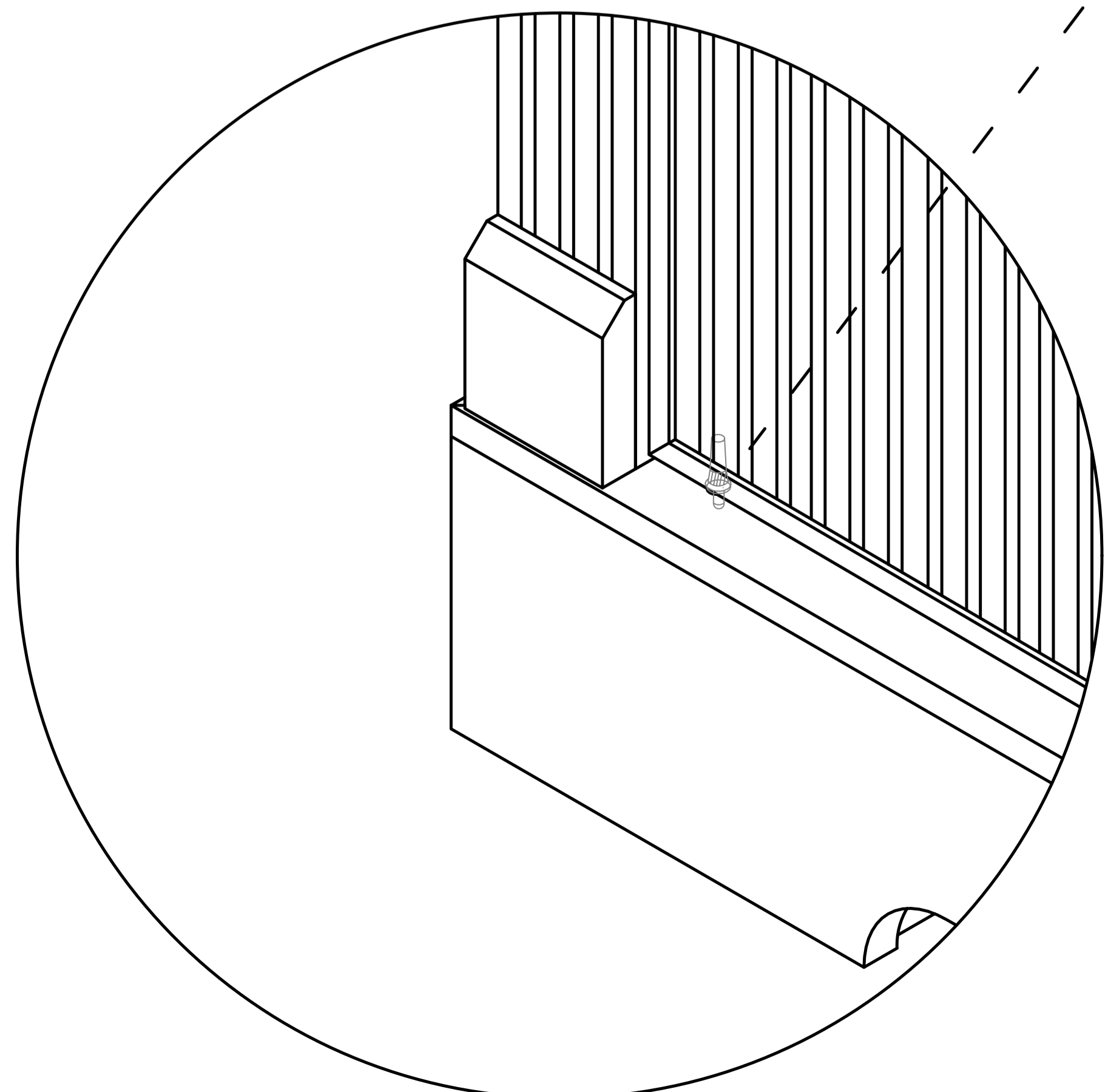
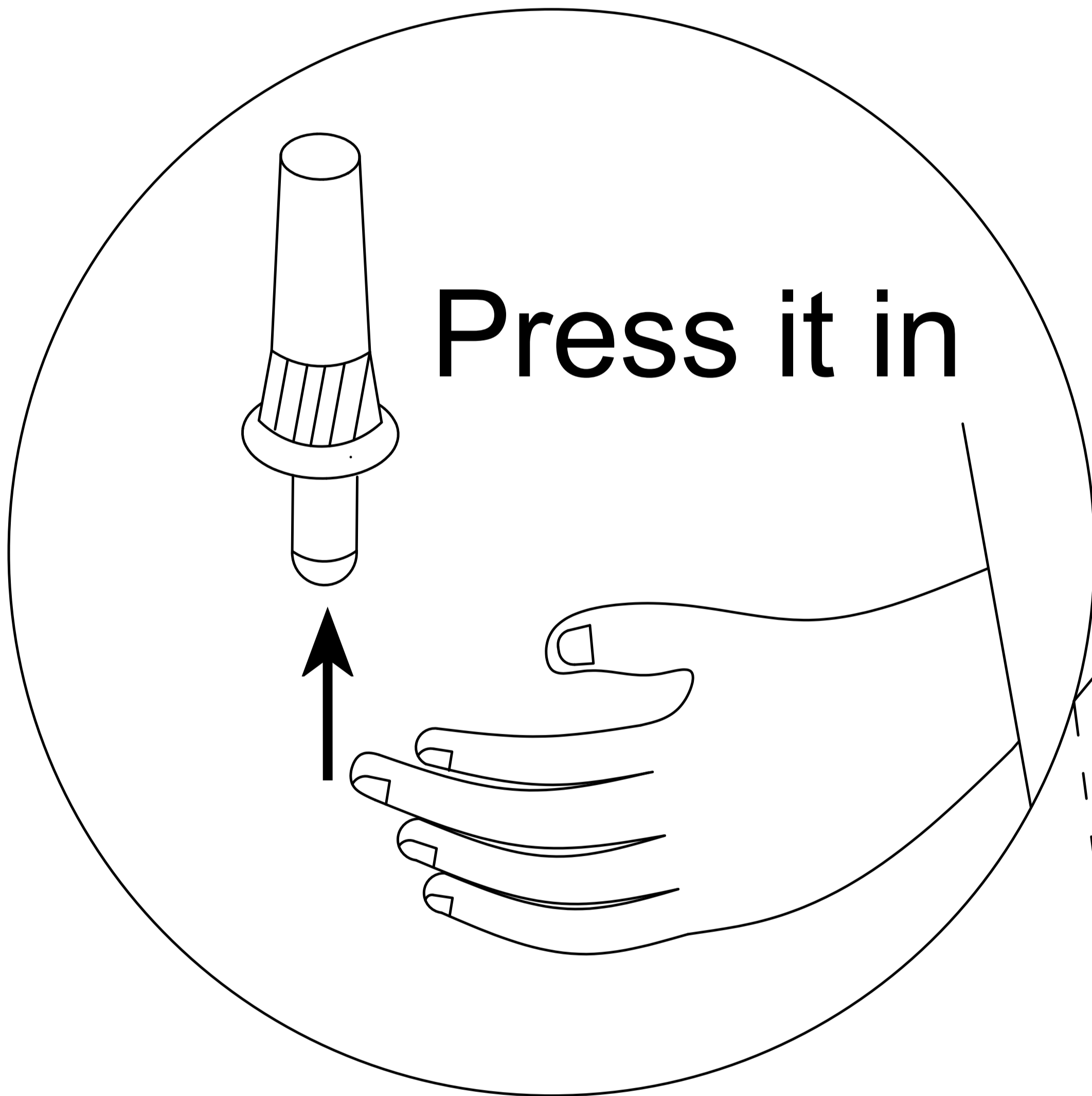
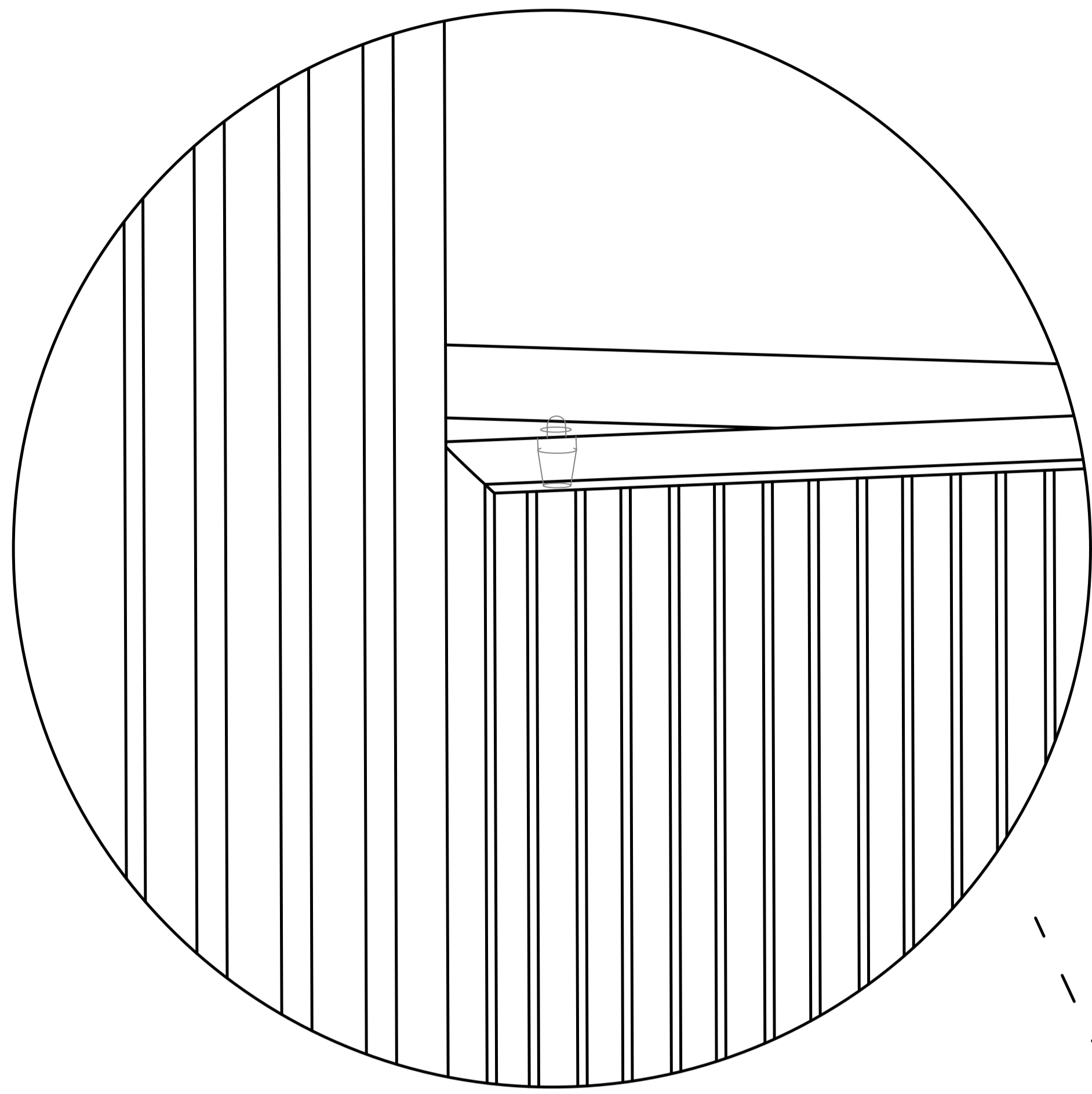
- | | | | | |
|----|--|----|--|----|
| 5 | | x1 | | x1 |
| 10 | | x2 | | |

Step 38

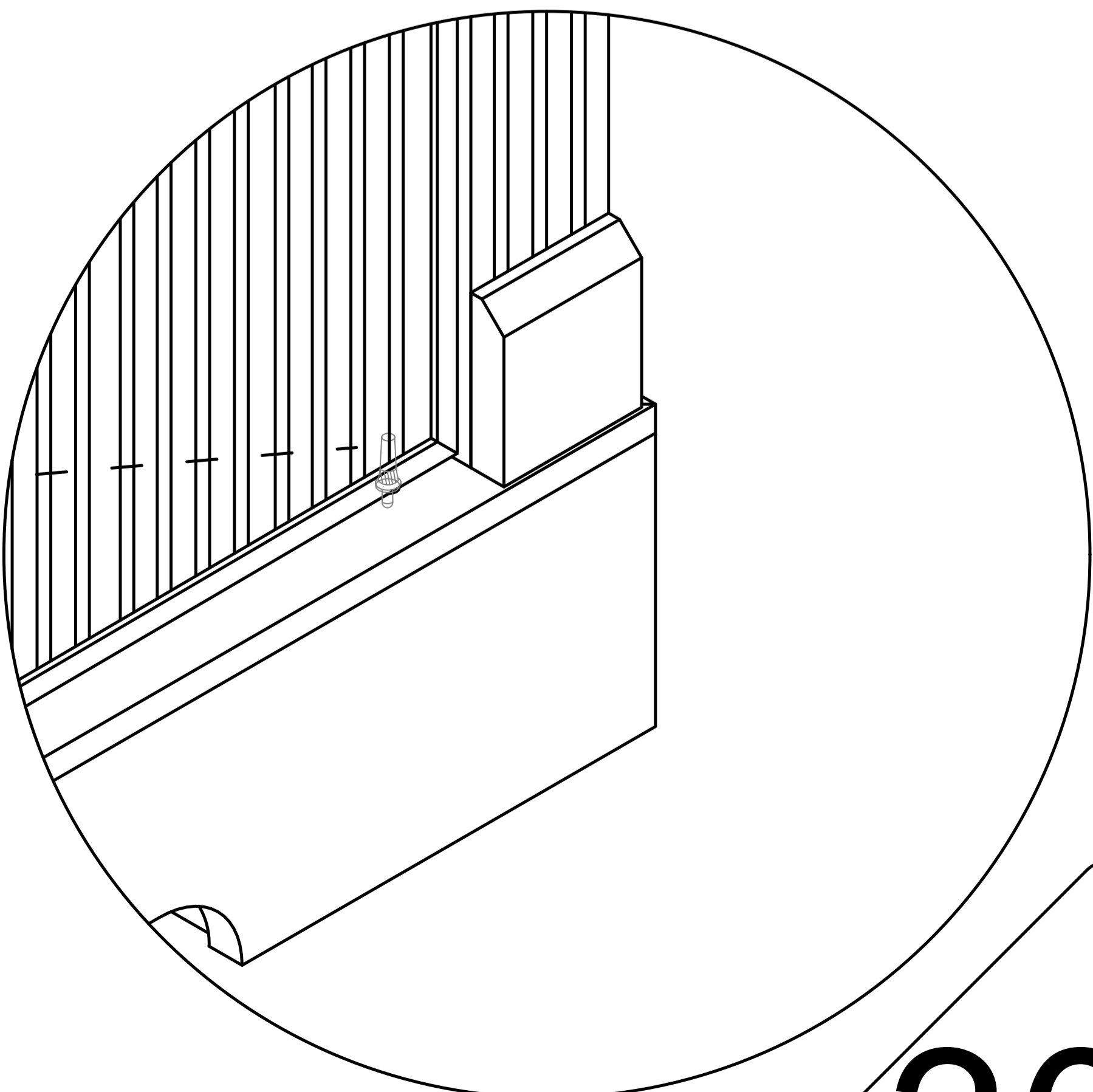
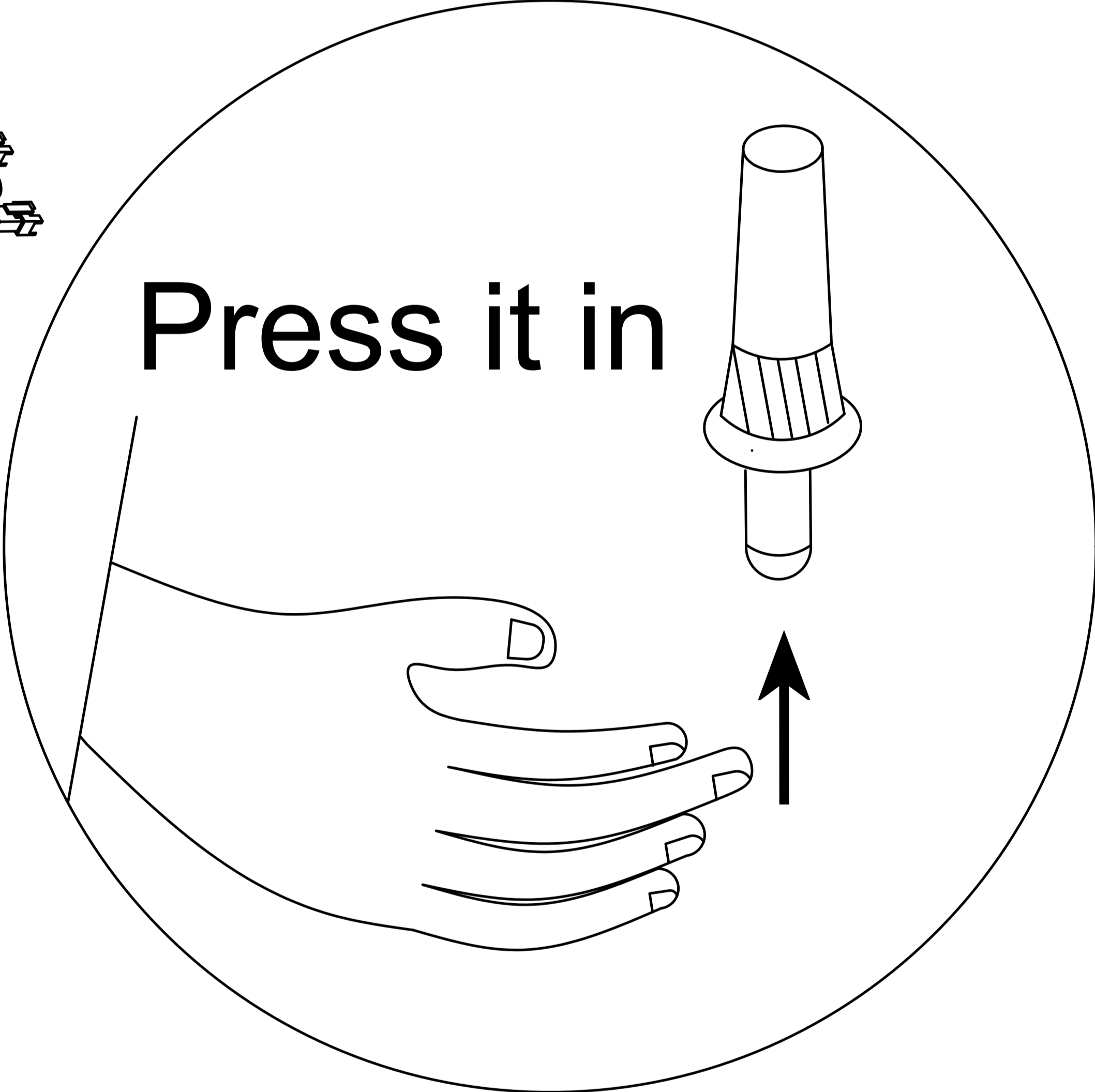
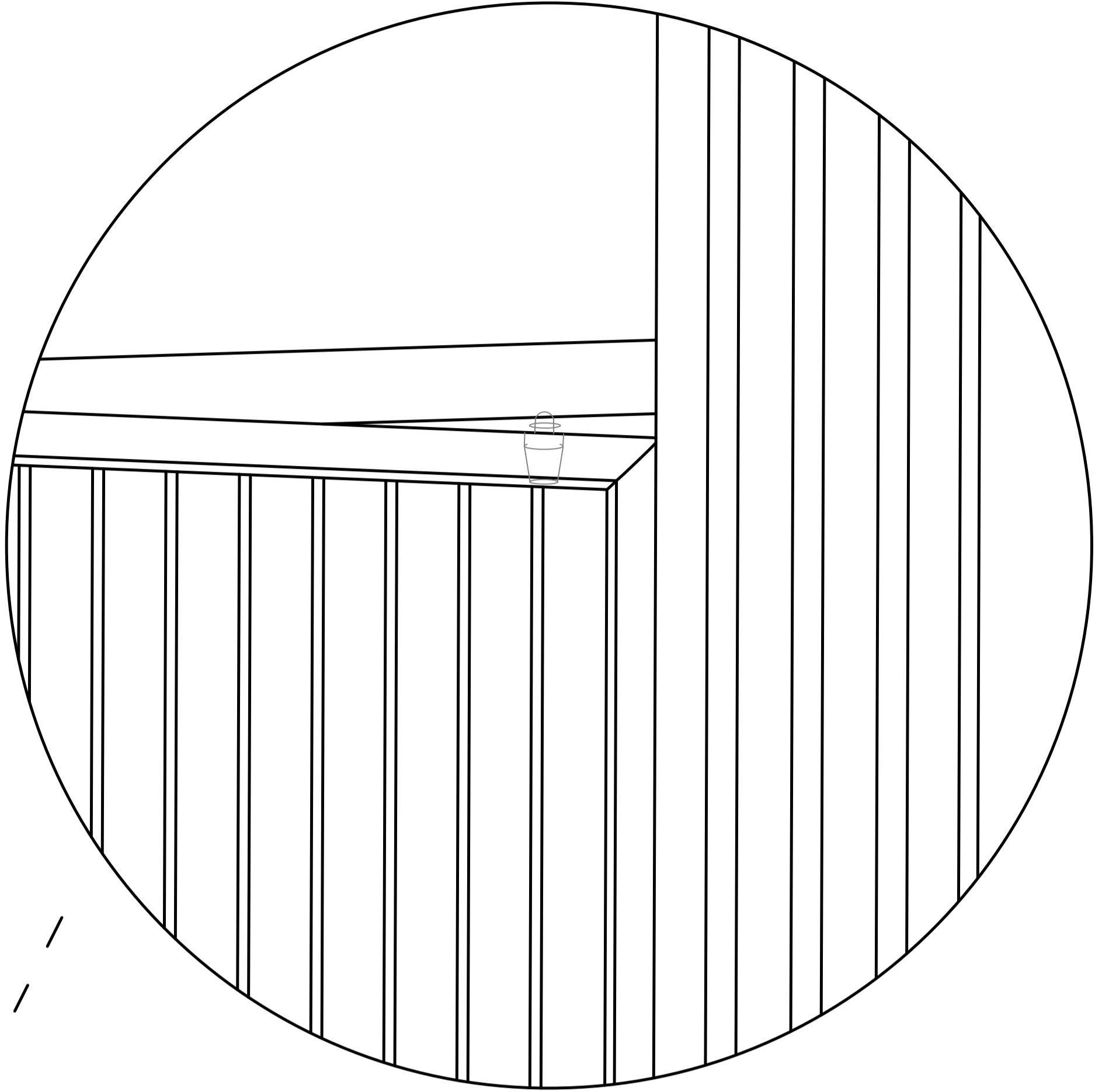
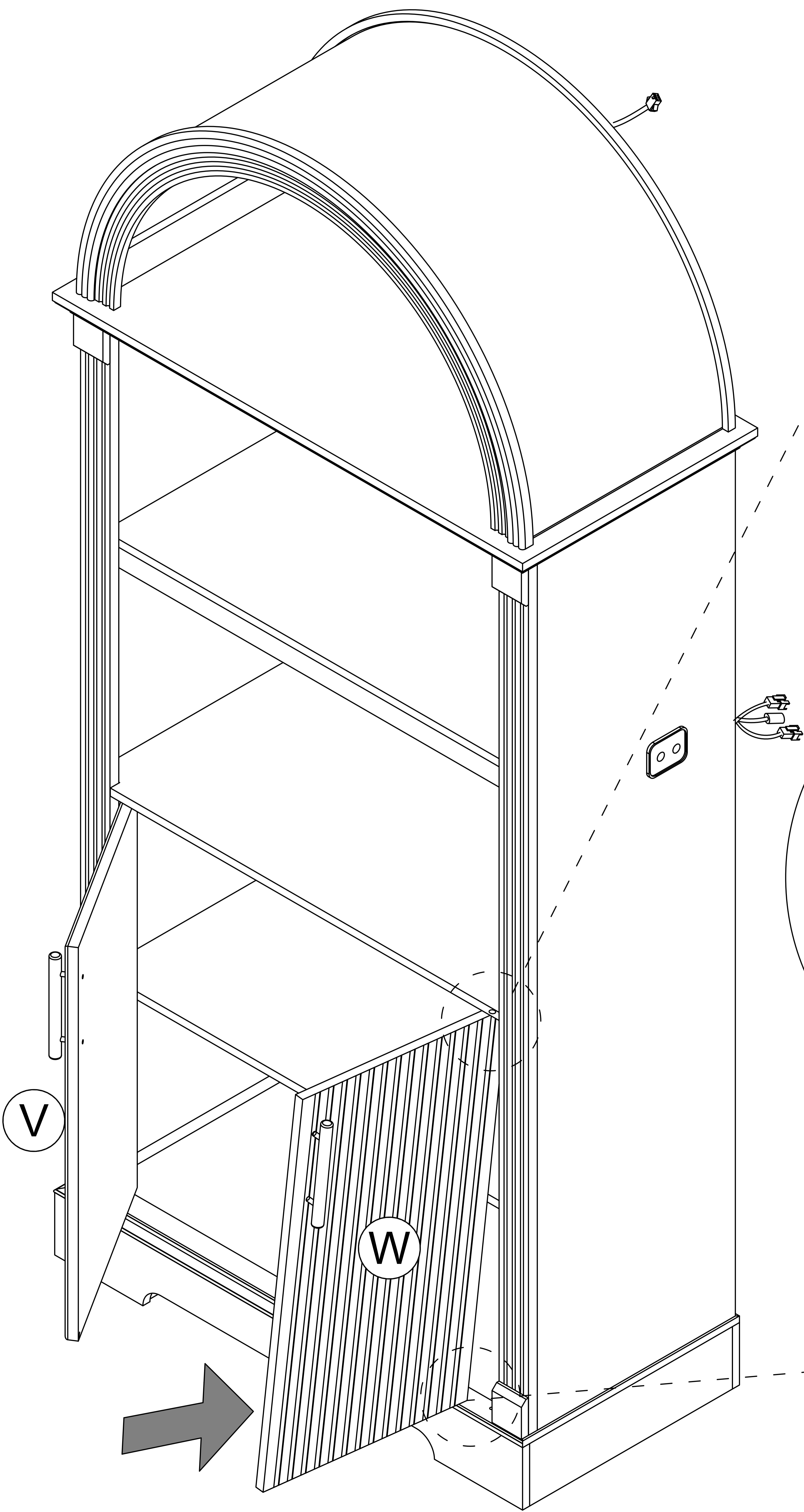


- | | | | | |
|----|--|----|--|----|
| 11 | | x2 | | x1 |
|----|--|----|--|----|

Step 39

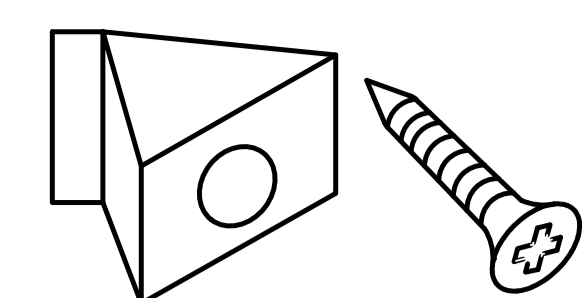


Step 40

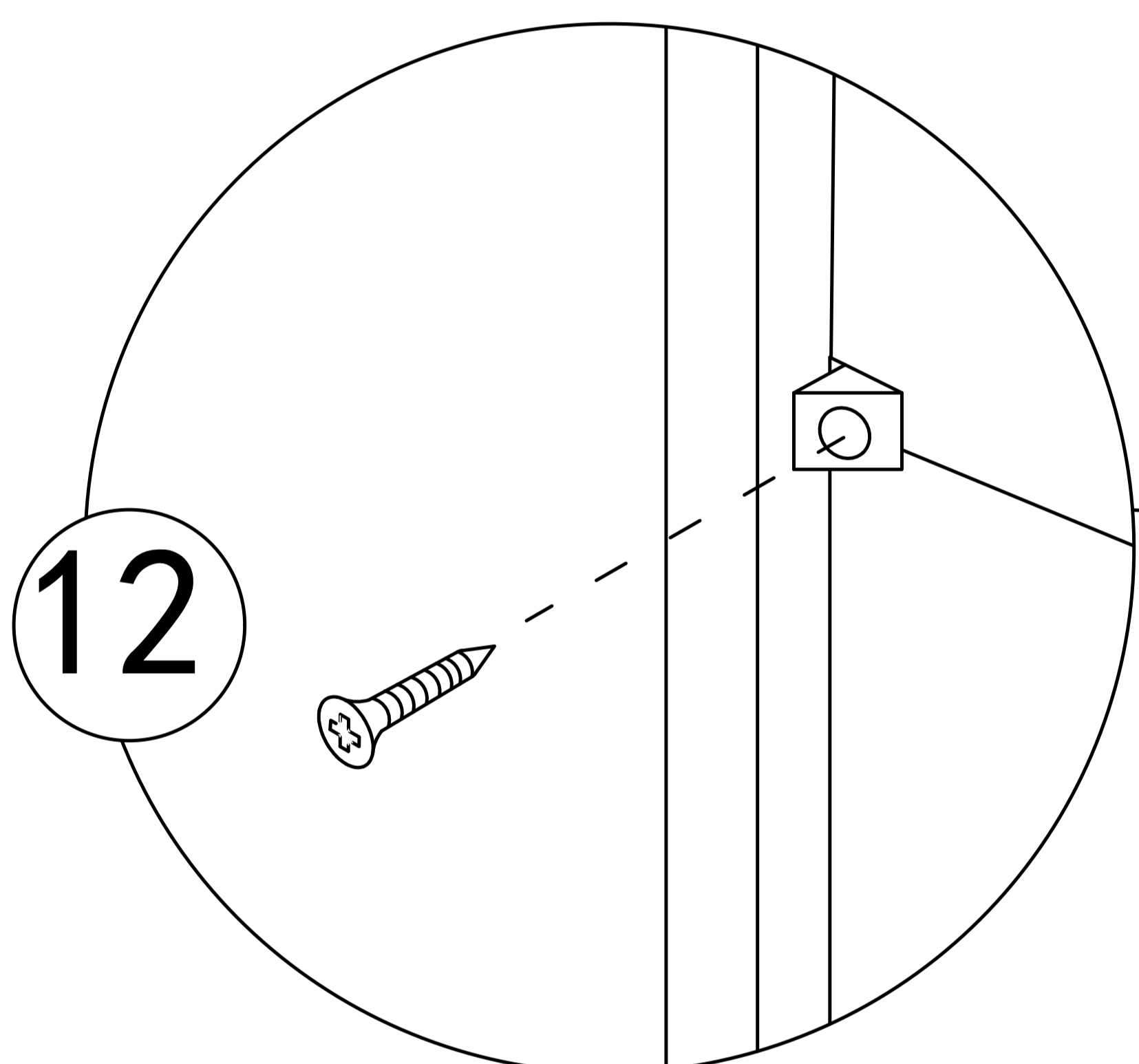


Step 41

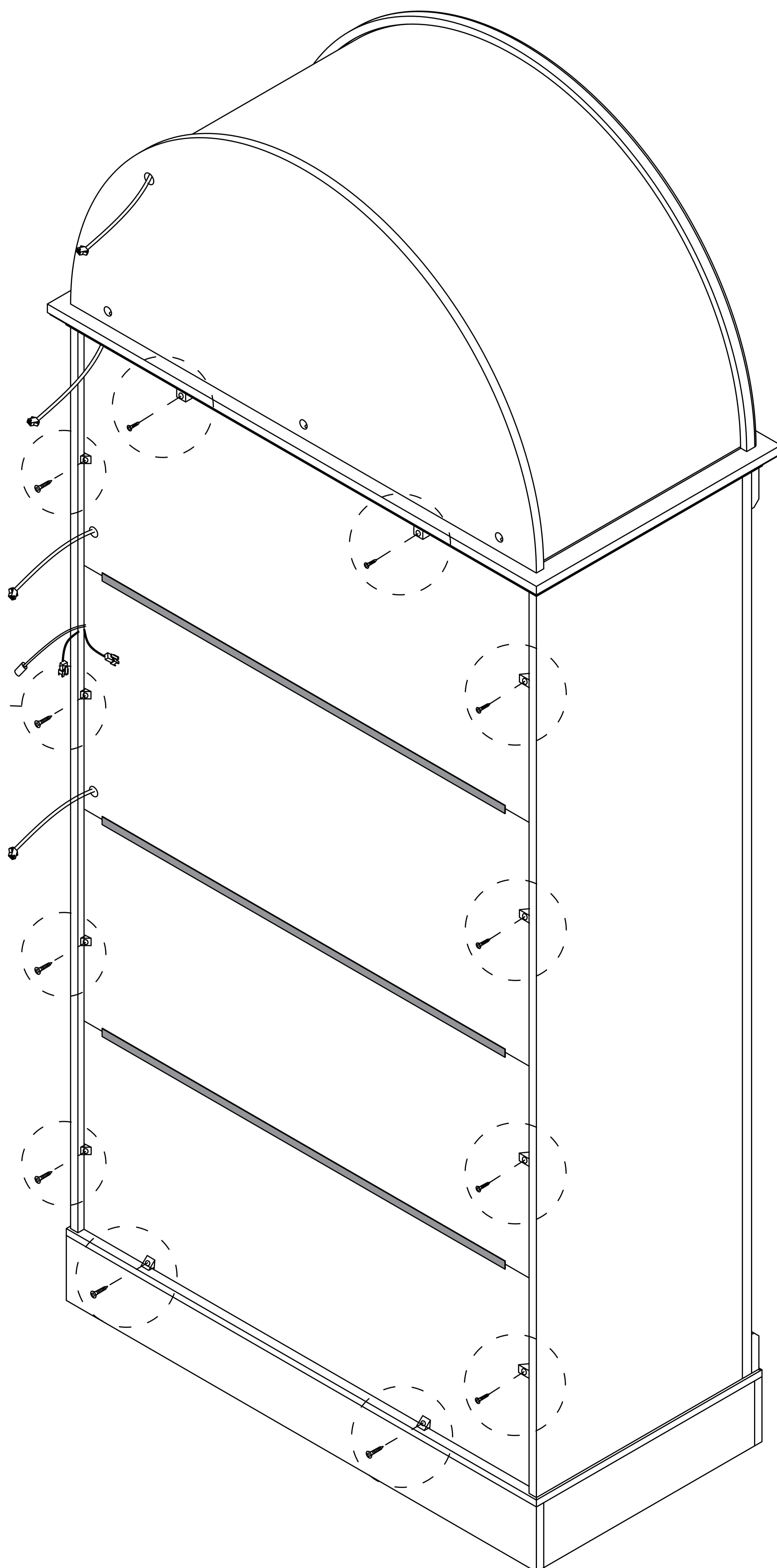
12



x12



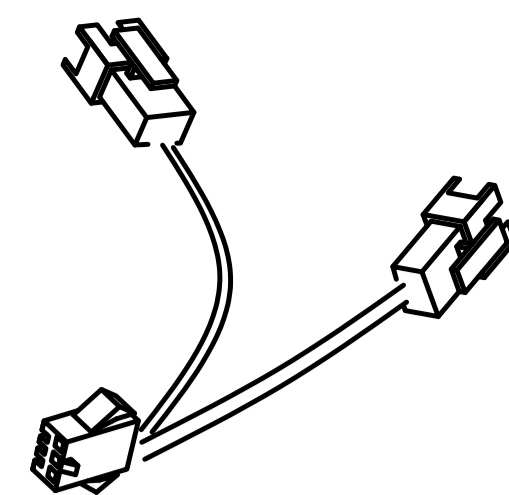
12



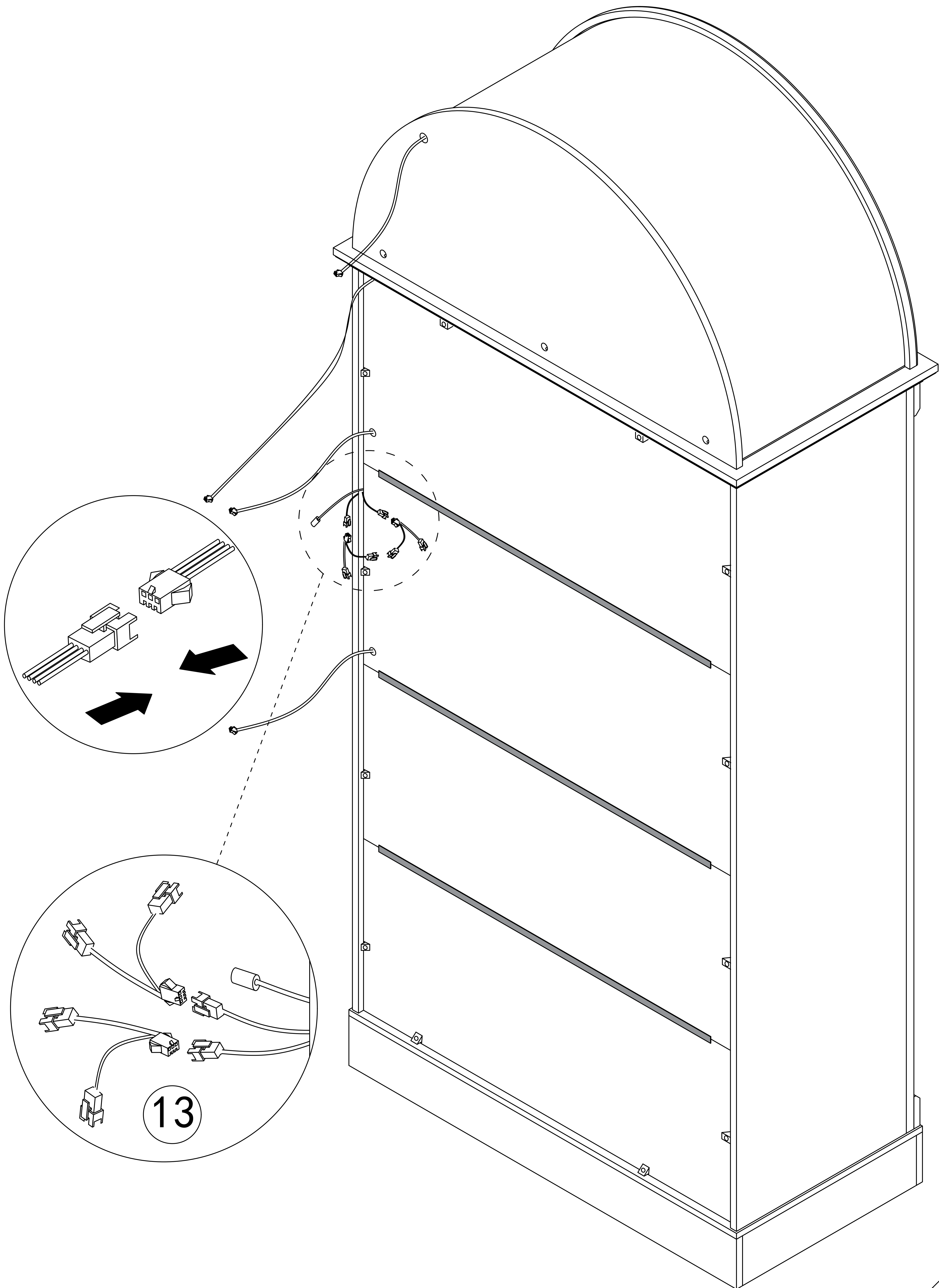
31

Step 42

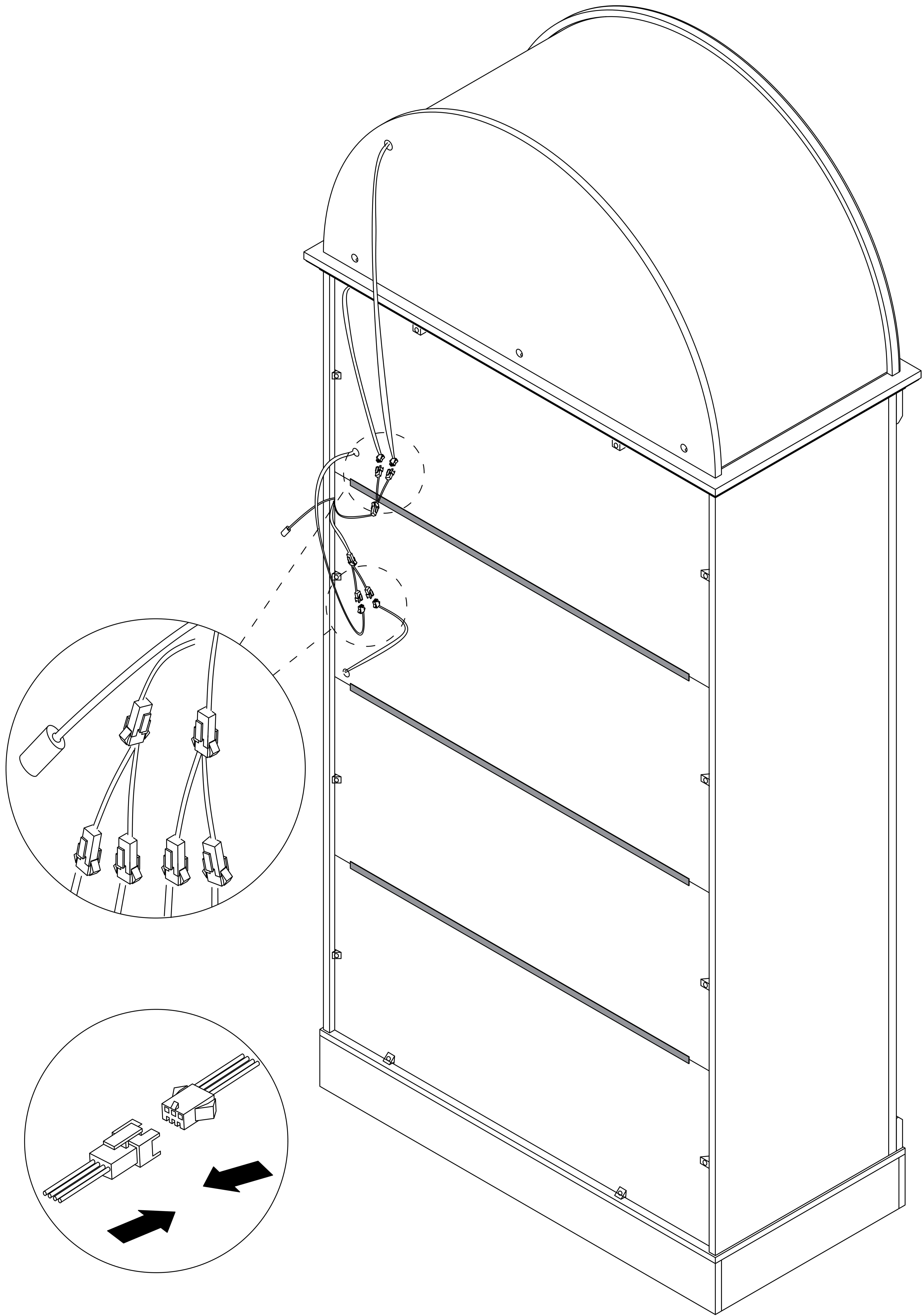
13



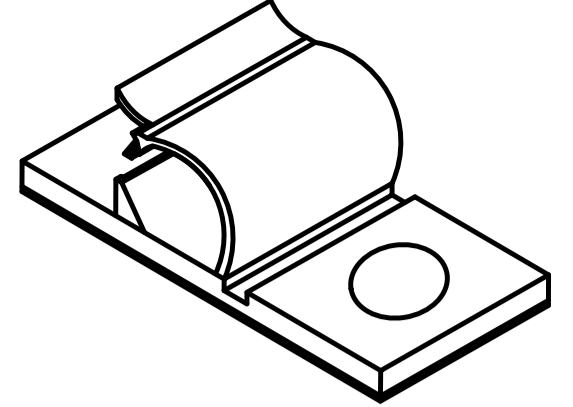
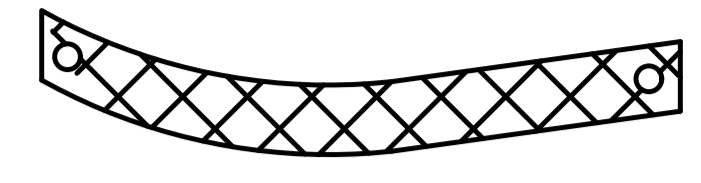
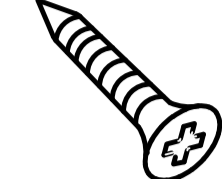
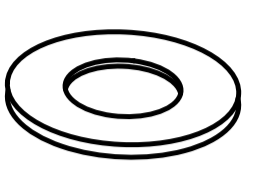
x2

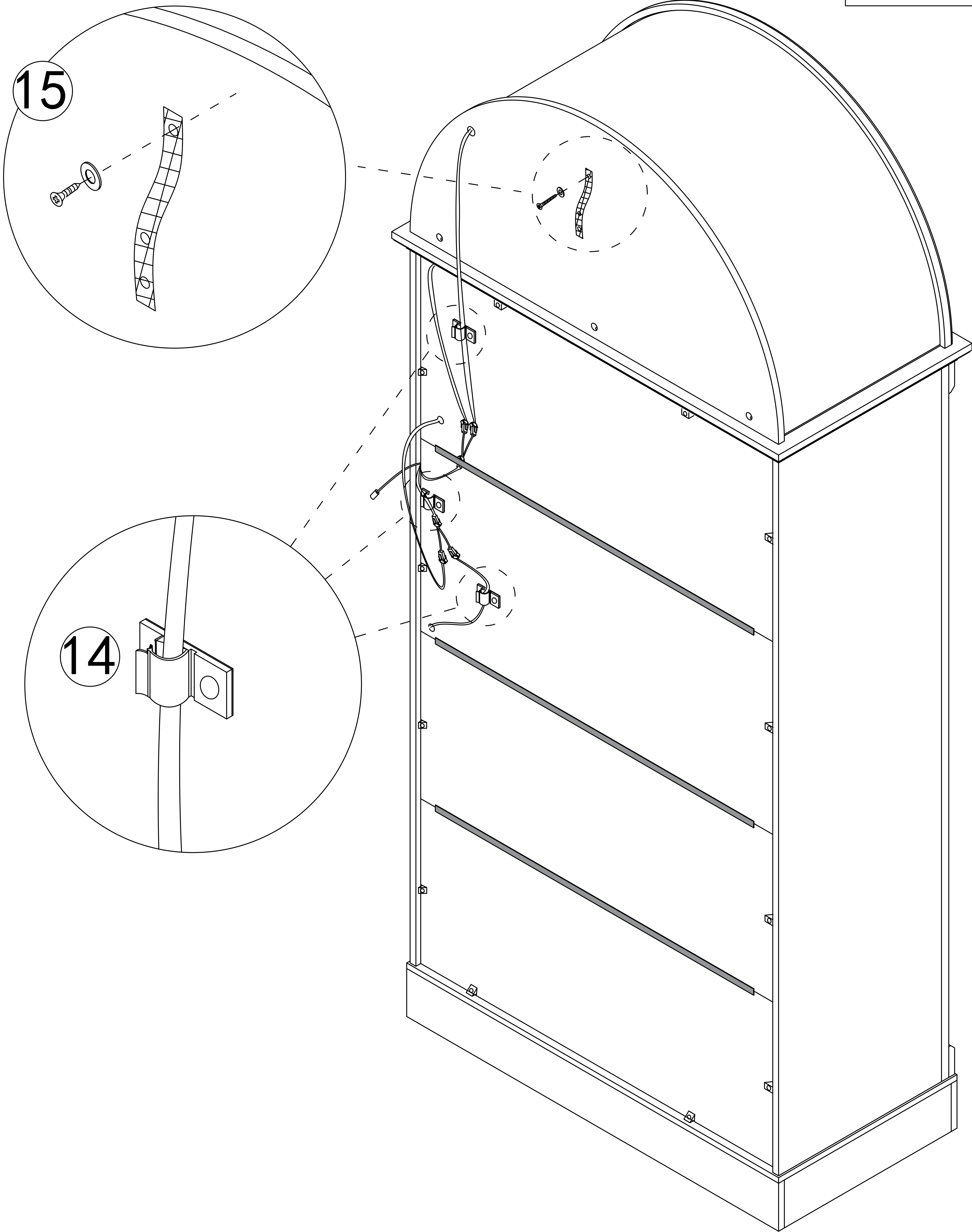


Step 43



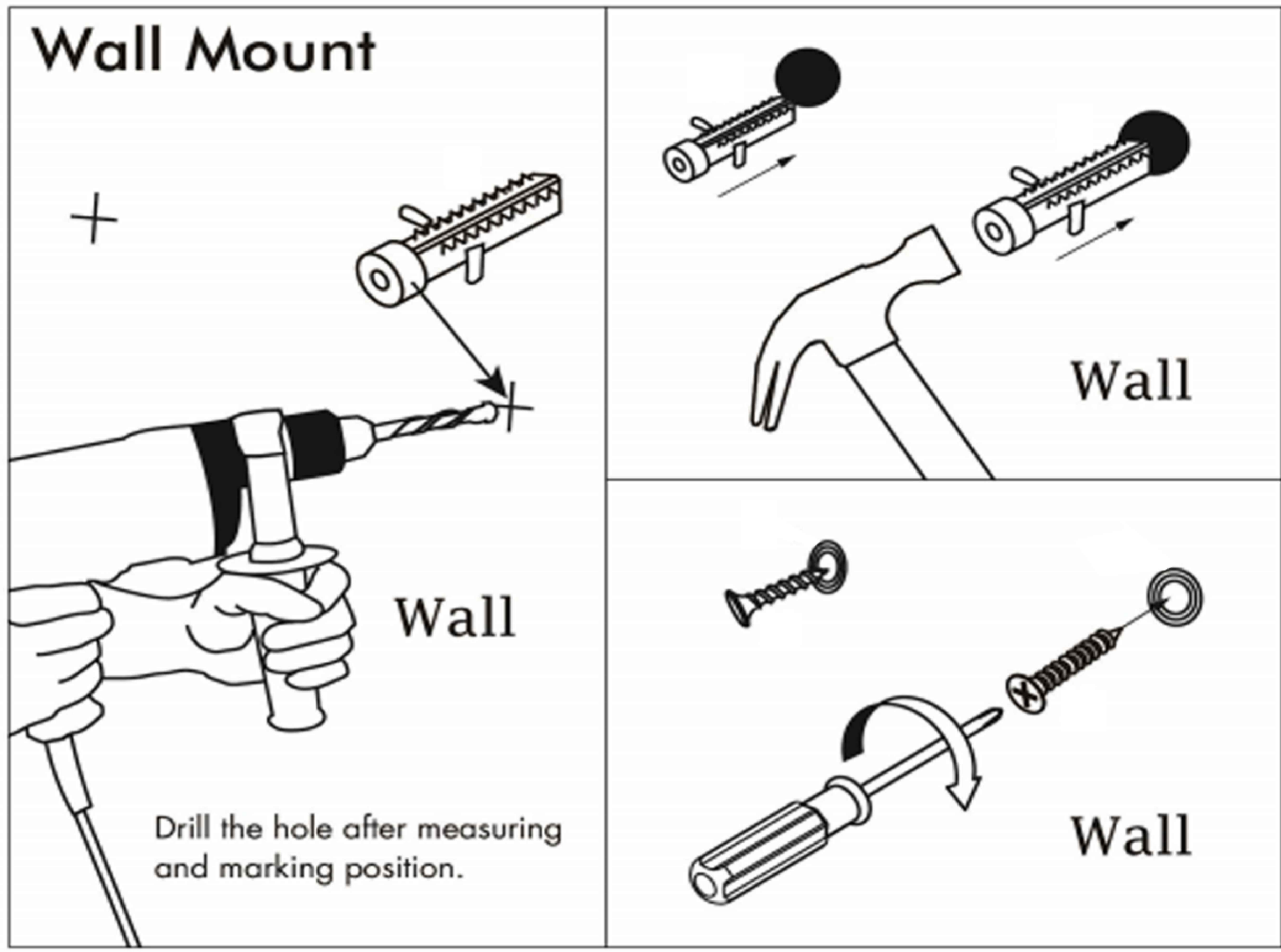
Step 44

- 14  x3
- 15  1pcs
-  1pcs  1pcs

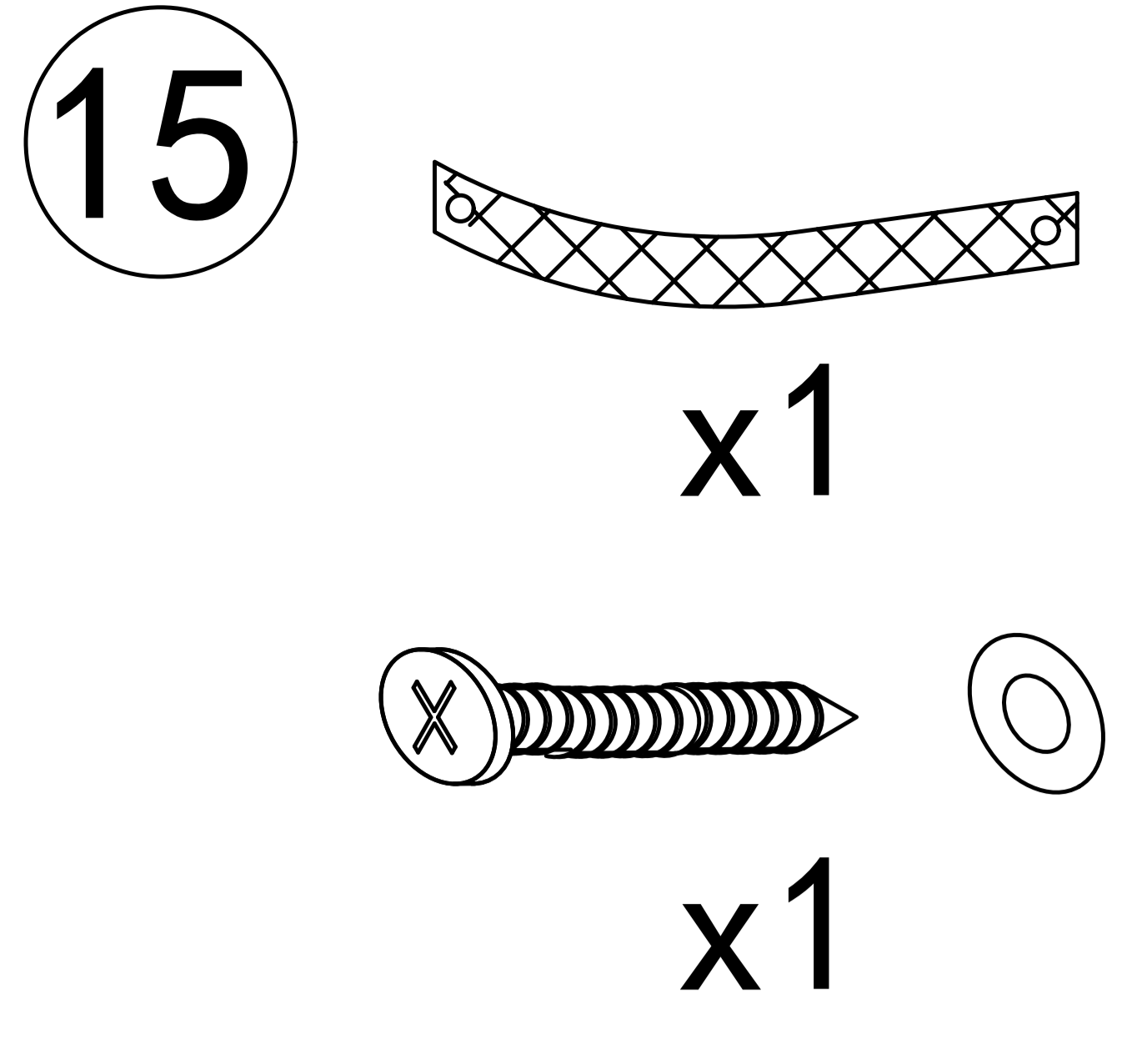


Step 45

use a ruler to measure the approximate height of the product on the wall, and then mark it with a pencil.

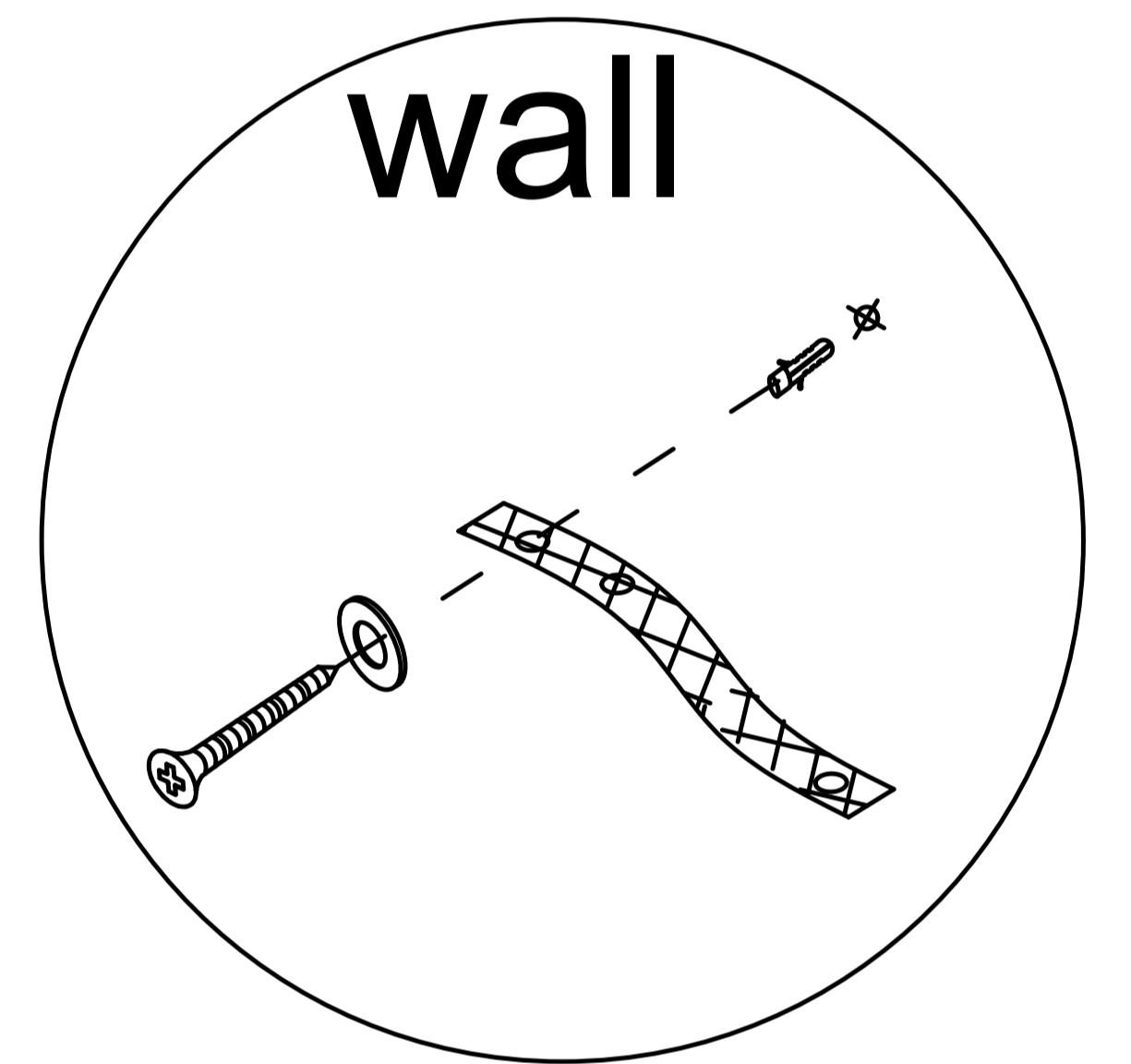
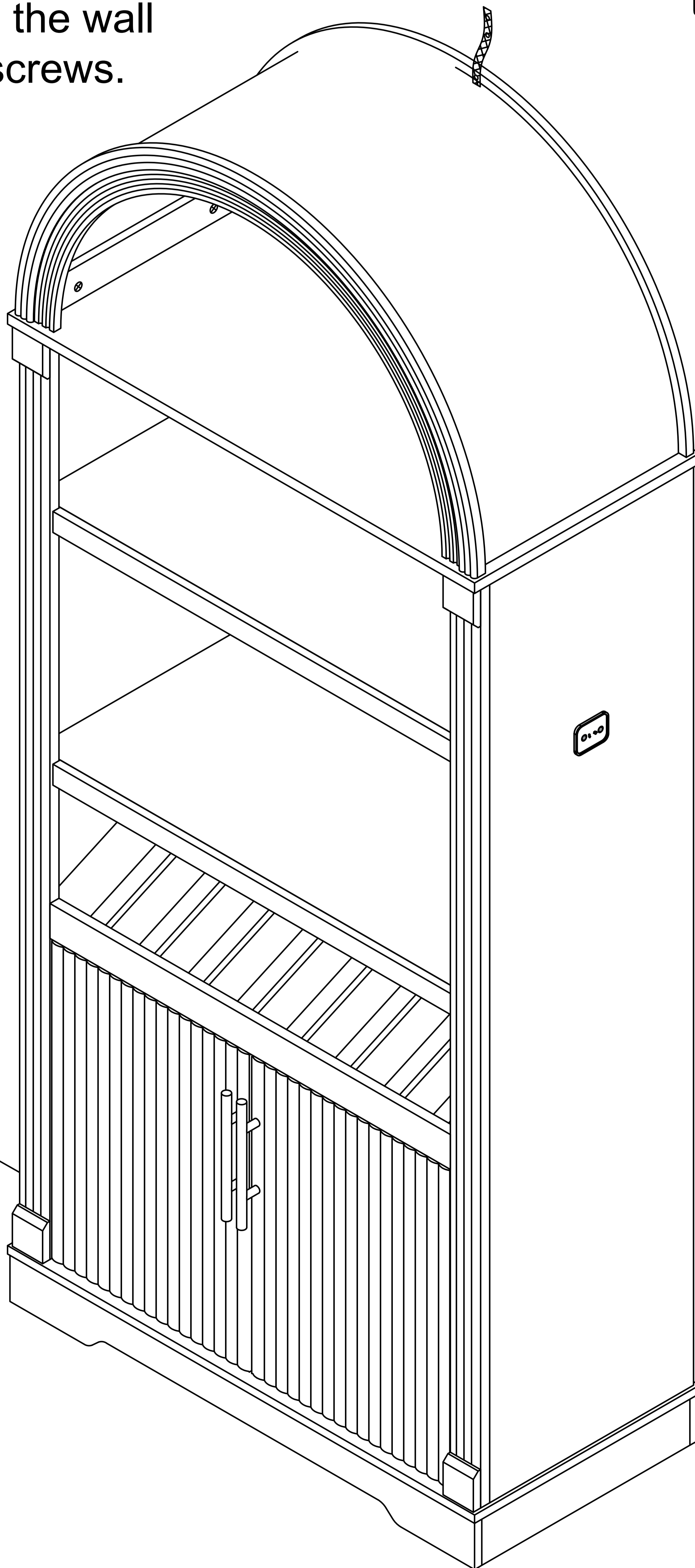


Use a tape drill to make holes in the wall that are suitable for the product screws.



Put the expansion bolt into the hole.

Pass the matching screws through the "anti-rewind" and tighten them to fix them on the wall.



Step 46

