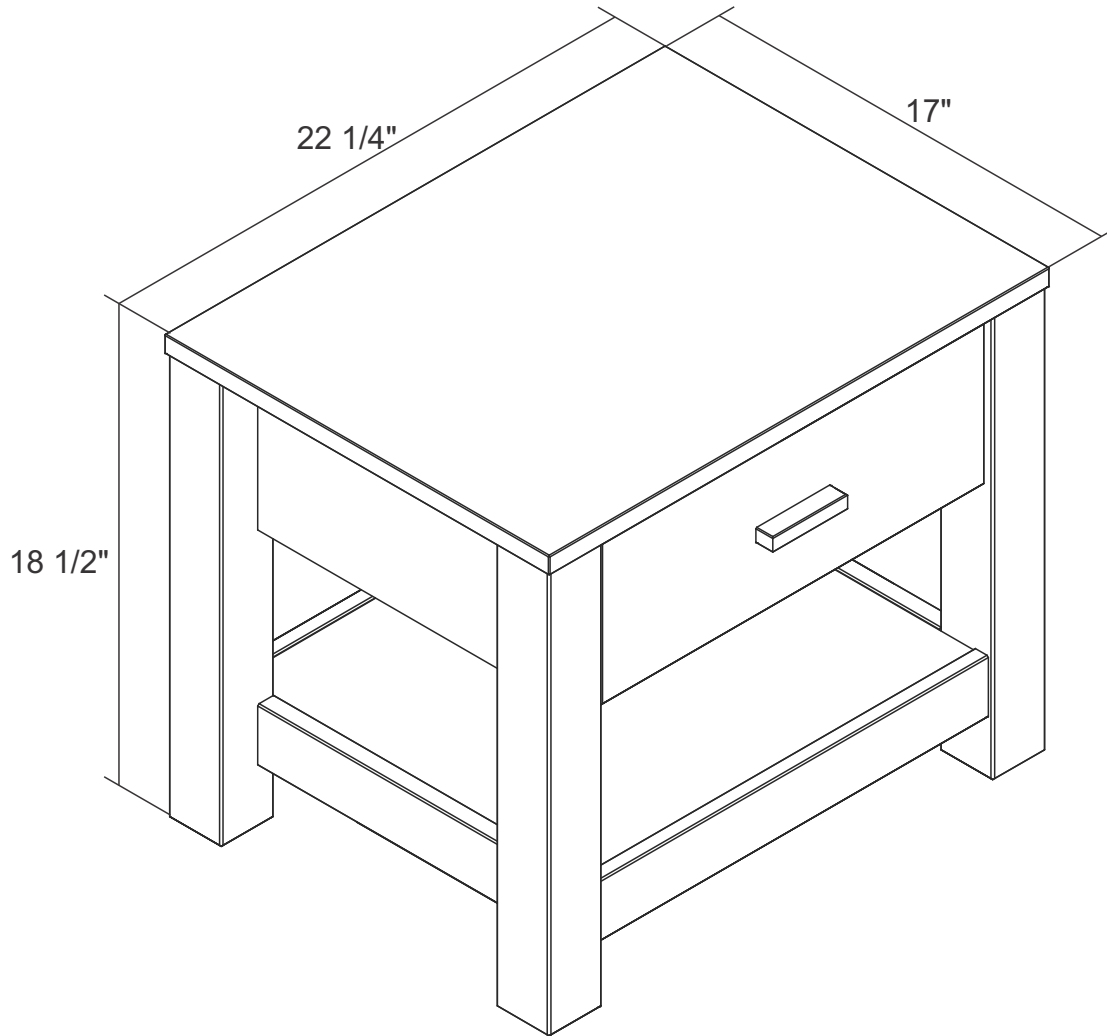


Assembly Instructions

Loft Collection

Nightstand



Thank you for purchasing our furniture, it's an honor to be in your home!

Every effort has been made to ensure your Wood Furniture is of the finest quality. If you have any questions or need any replacement parts, please do not hesitate to contact us at www.grainwoodfurniture.com.



www.grainwoodfurniture.com

				<table border="1"> <thead> <tr> <th>Model #</th> <th>Finish</th> </tr> </thead> <tbody> <tr> <td>LF0403</td> <td>Brushed White</td> </tr> <tr> <td>LF0440</td> <td>Brushed Grey</td> </tr> <tr> <td>LF0468</td> <td>Weathered Pine</td> </tr> <tr> <td>LF0489</td> <td>Acacia</td> </tr> </tbody> </table>	Model #	Finish	LF0403	Brushed White	LF0440	Brushed Grey	LF0468	Weathered Pine	LF0489	Acacia	
Model #	Finish														
LF0403	Brushed White														
LF0440	Brushed Grey														
LF0468	Weathered Pine														
LF0489	Acacia														

MADE IN BRAZIL

PLEASE READ BELOW BEFORE BEGINNING YOUR ASSEMBLY

Here are some tips on assembling your flat-pack furniture in order to minimize your assembly time and frustrations:

- Do Not throw away packaging material until assembly is complete.
- Assemble the item on a soft surface, such as cardboard or old blanket, to protect finish from possible dents or scratches.
- Choose a spacious, open area near where the piece will be located. It is easier to move parts than to relocate the furniture after it is fully assembled, depending on its size and weight.
- Organize everything and count it twice. If you organize the items by parts, you'll find it much easier to grab each piece as you build.
- Check each part for cracks or flaws, such as improperly drilled holes, and count multiple parts. If there are any problems or missing pieces, contact us by email support@grainwoodfurniture.com providing model number, part number and description of the problem to arrange a replacement.
- Real Wood furniture may present imperfections such as wood knots, minor splits or cracks that are part of the natural aspect of the material. In few cases, also can be caused by variations of air moisture and temperature. Whenever stability of the piece of furniture is not compromised we recommend customers to perform cosmetic touch-ups by wax crayon fillers sold at all major hardware stores.
- It is best to use any tools the kit provides, such as a hex key, because they may be specially sized for that piece of furniture. We do not recommend the use of power drill, it can damage your furniture if not used correctly.
- Read the entire list of instructions, arranging your parts in order of use as you go.
- Finally, Enlist a help from friends and family since proper assembly of most items require 2 people.

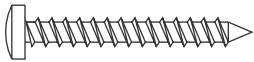
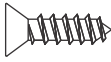
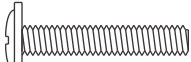

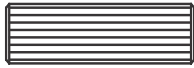
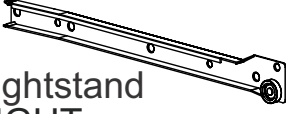

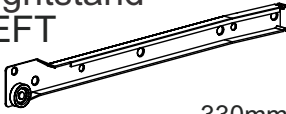
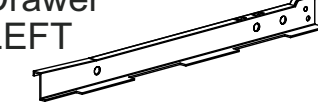
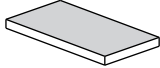
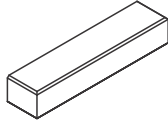
Wood Furniture Care:

- *Clean with a cloth dampened with water or furniture polish following the pattern of the grain.*
- *Do NOT use solvents such as alcohol for cleaning.*
- *Avoid placing under direct sun light, to prevent UV damage.*
- *Avoid positioning very close to heaters or AC vents.*
- *Hot pads should always be used when placing warm serving dishes on your furniture.*
- *Very hot items such as a sauce pan or baking dish should never be placed on a tabletop, even with a hot pad.*
- *Place mats will help to protect the finish from dishes and silverware, and coasters will help protect your furniture from moisture.*

Enjoy your Real Wood Furniture!



HARDWARE LIST

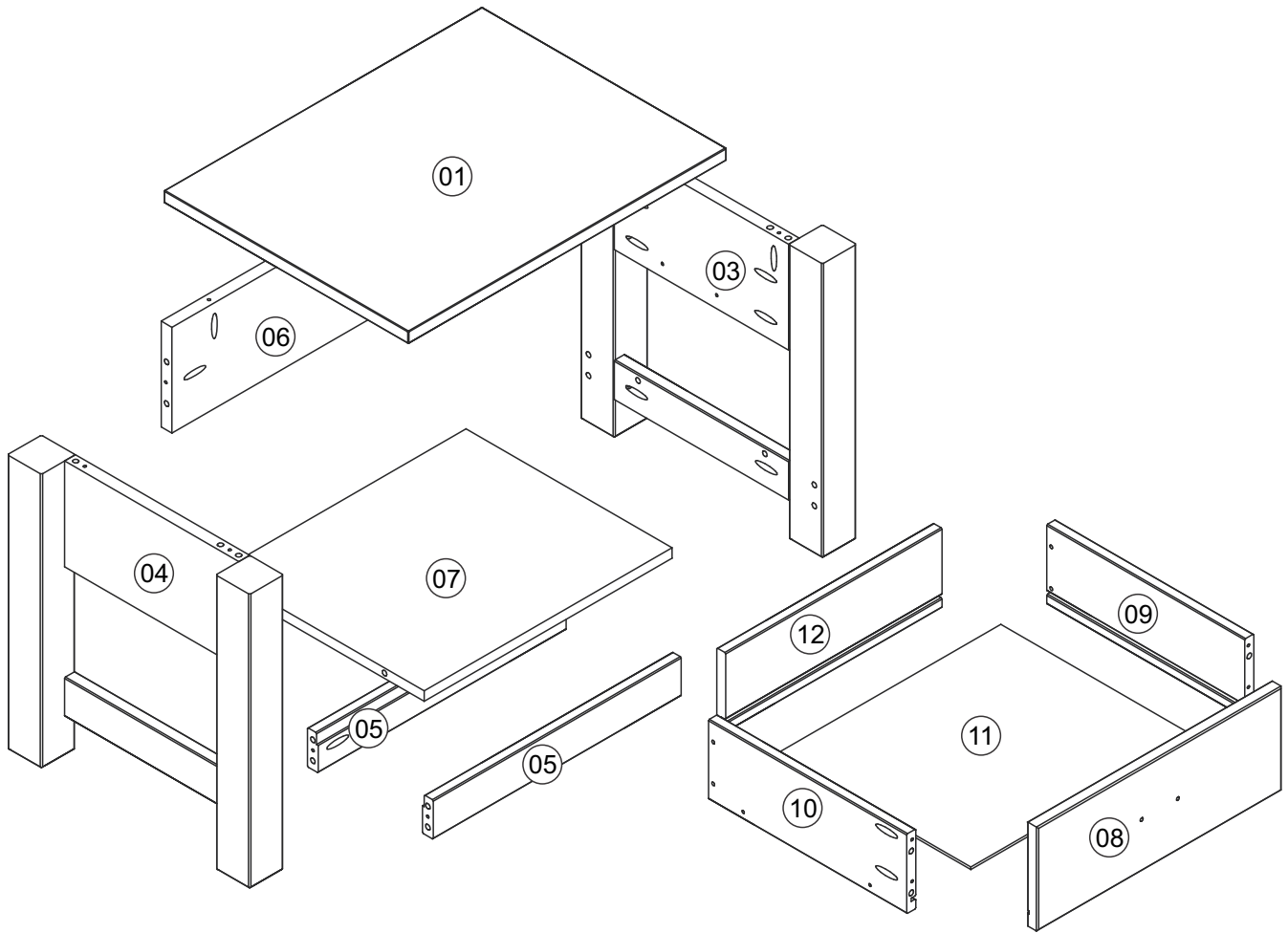
A1	 4,0x30	20 + 2
A4	 3,5x14	02
A25	 M4x25	02 + 1
B31	 6,0x10	08 + 1
C2	 8,0x25	26 + 2
E13	 Nightstand RIGHT 330mm - 13"	01
E13	 Drawer RIGHT 330mm - 13"	01
E14	 Nightstand LEFT 330mm - 13"	01
E14	 Drawer LEFT 330mm - 13"	01
G11		04
H9		01

 **ATTENTION**

Before starting assembly please verify if the hardware set is complete.

For missing hardware please contact us at www.grainwoodfurniture.com

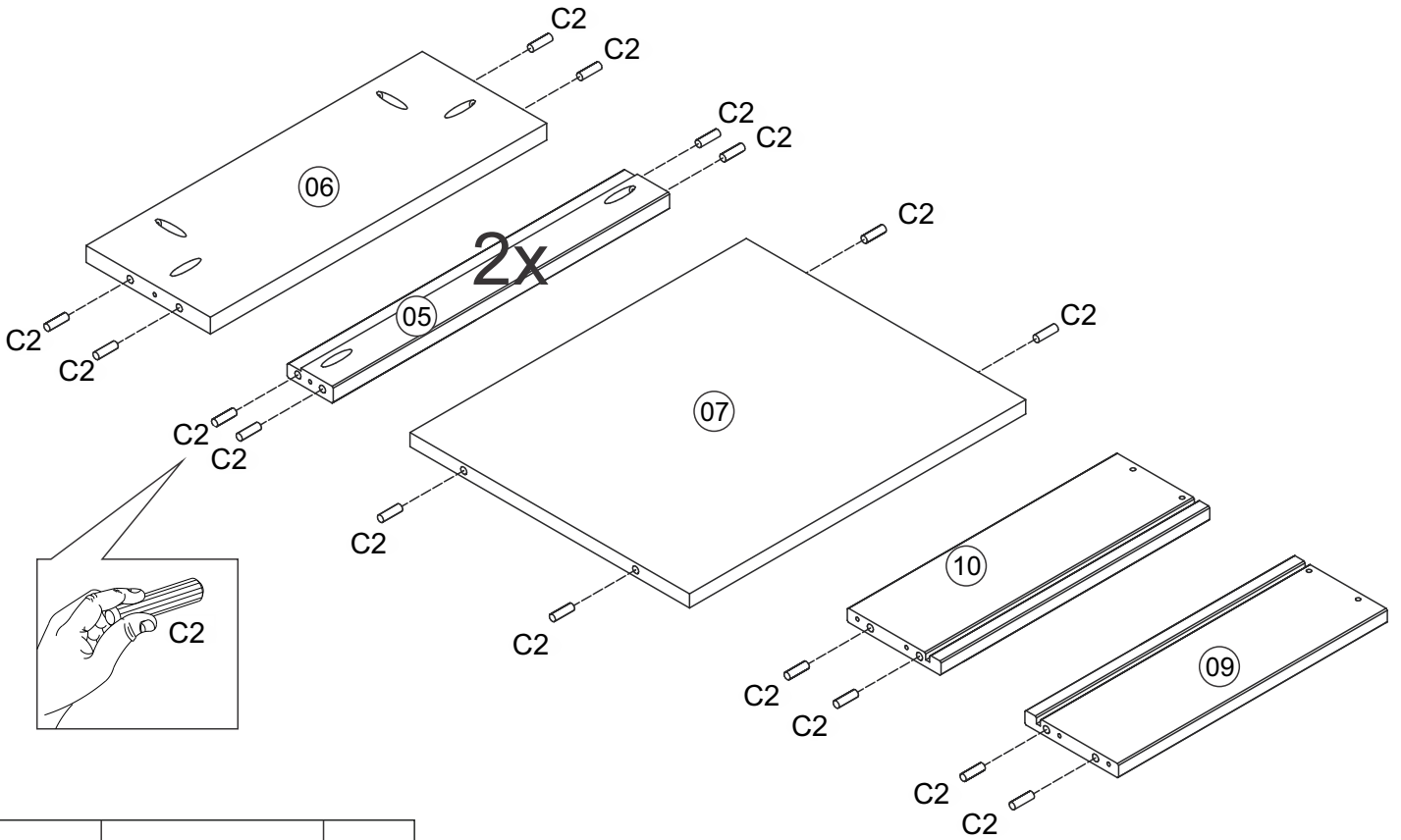
WARNING:
CHOKING HAZARD
- Small Parts, not for Children.
To be Assembled by an Adult.

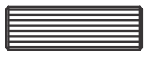


Parts list

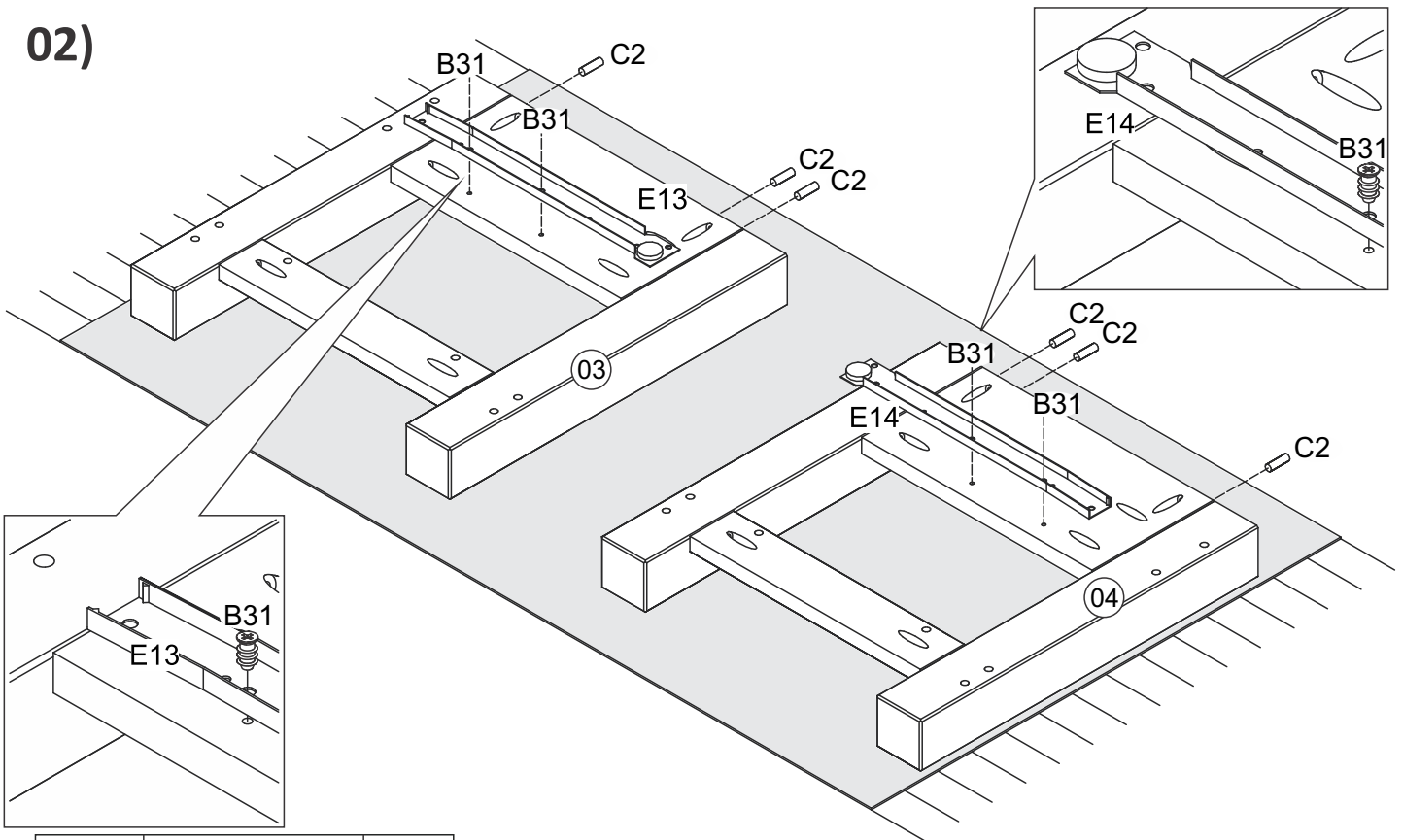
Box 1		
Part #	Description	qty
01	Top	1
03	Right side	1
04	Left side	1
05	Lower crosspiece	2
06	Rear Crosspiece	1
07	Base	1
08	Drawer front	2
09	Drawer right side	2
10	Drawer Left side	2
11	Drawer bottom	2
12	Drawer back	2
	Hardware	1

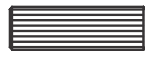

01)

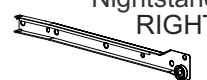


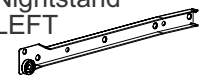
C2		20
	8,0x25	

02)

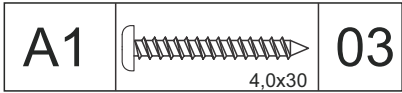
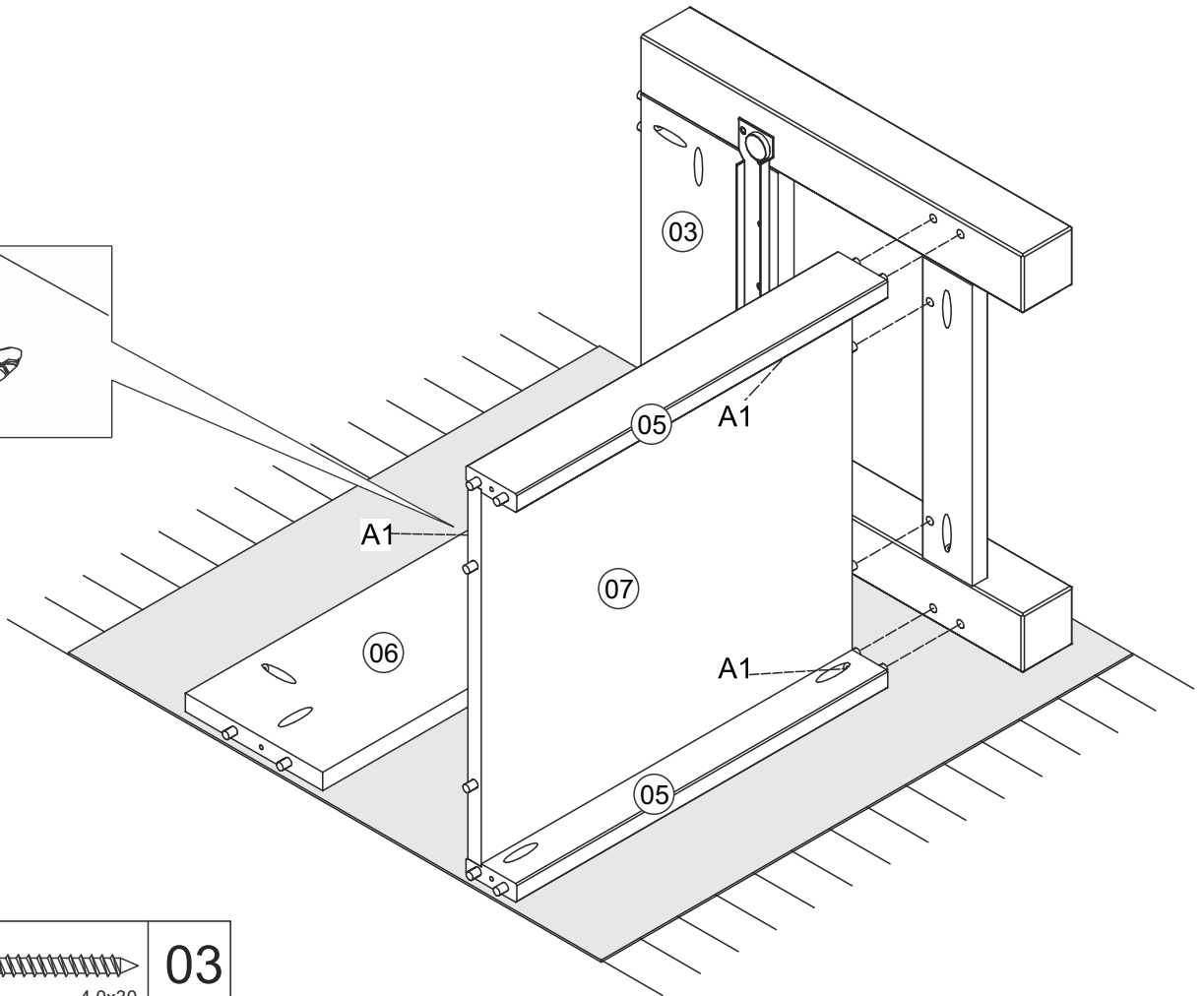
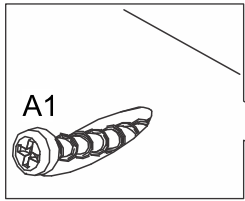


C2		06
	8,0x25	
B31		04
	6,0x10	

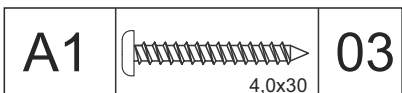
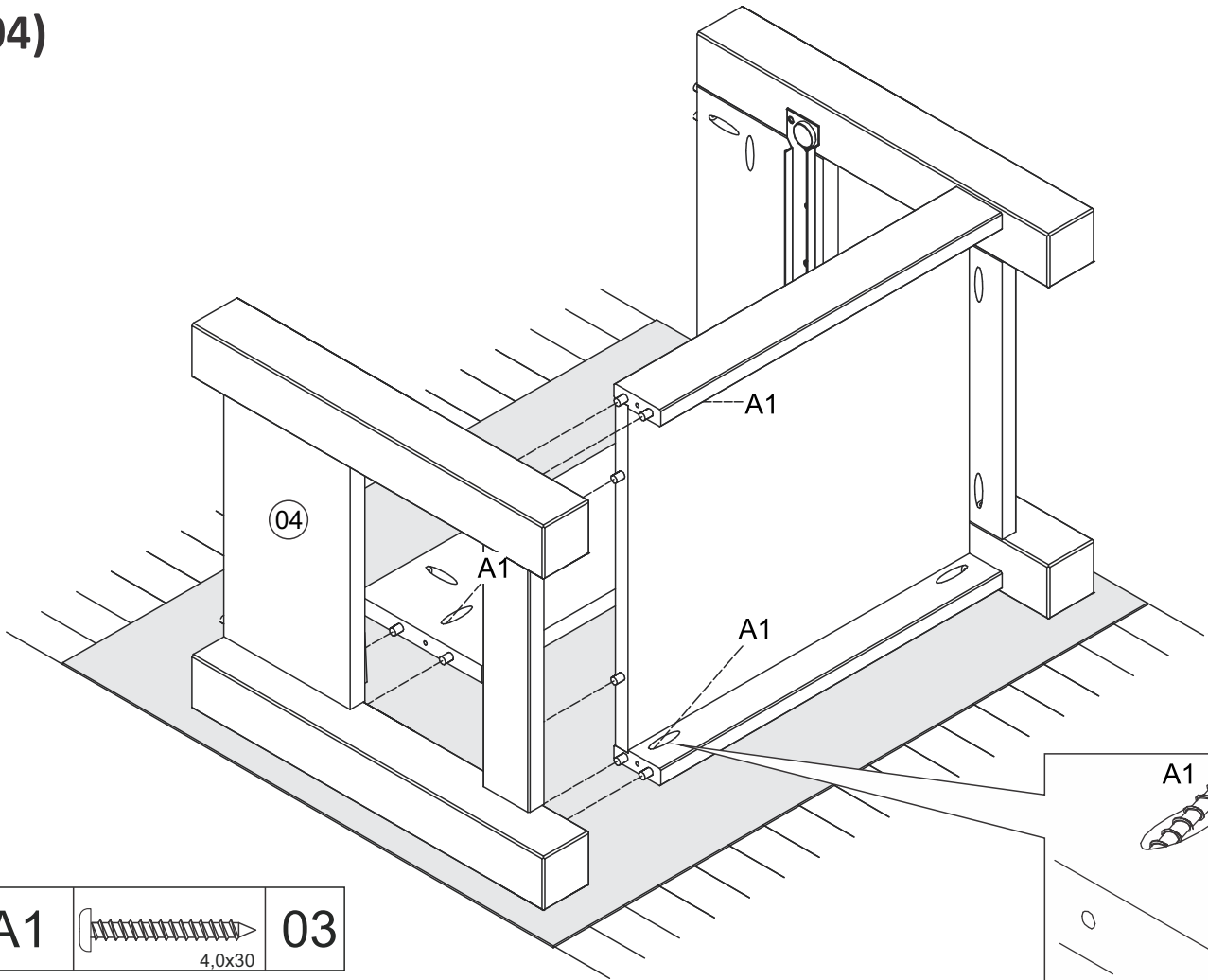
E13		01
	Nightstand RIGHT 330mm - 13"	

E14		01
	Nightstand LEFT 330mm - 13"	

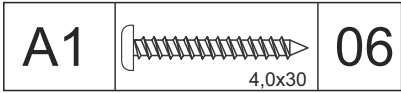
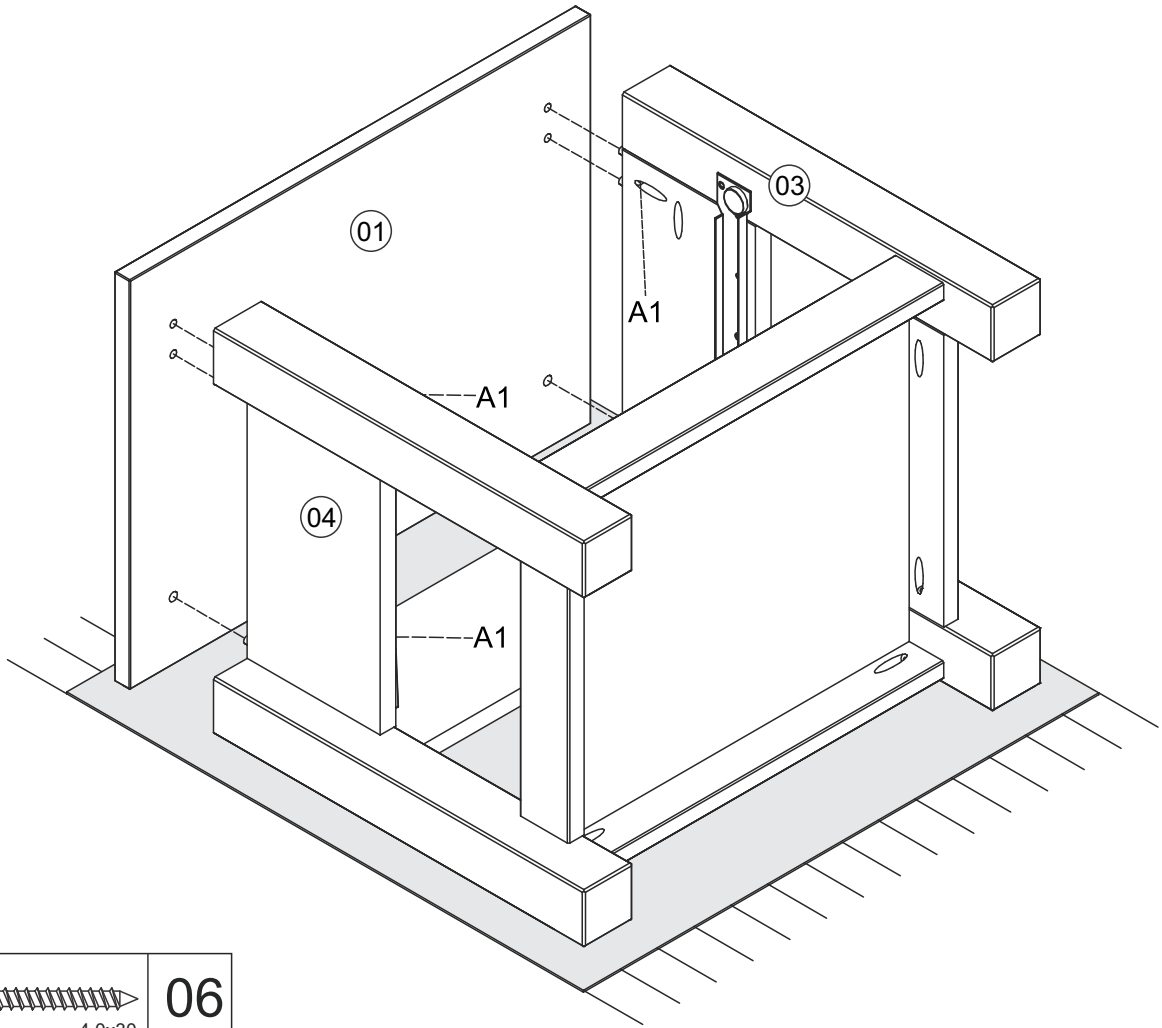
03)



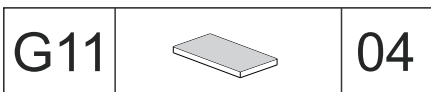
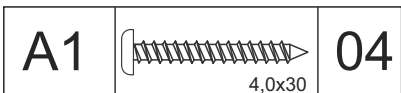
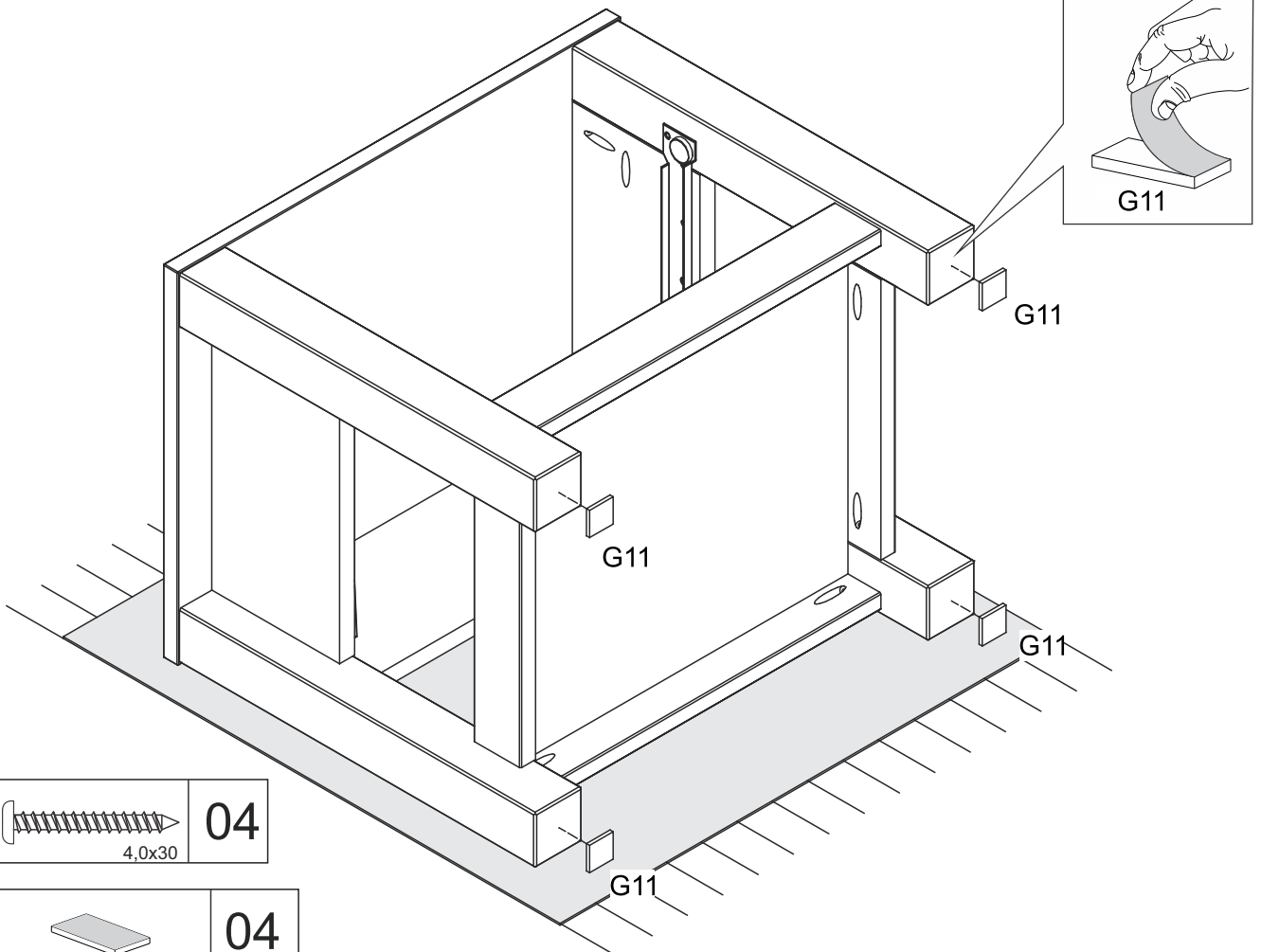
04)



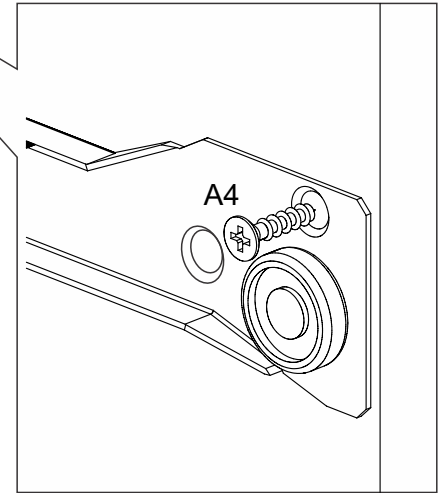
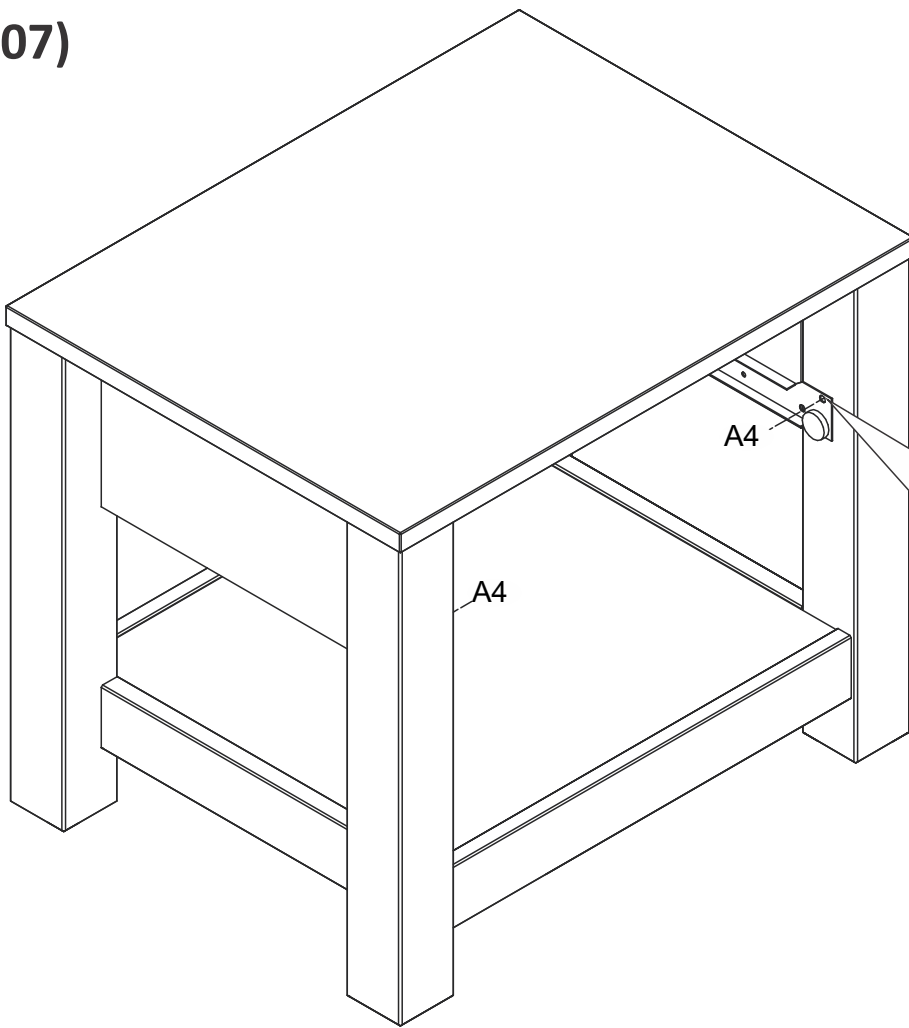
05)



06)



07)



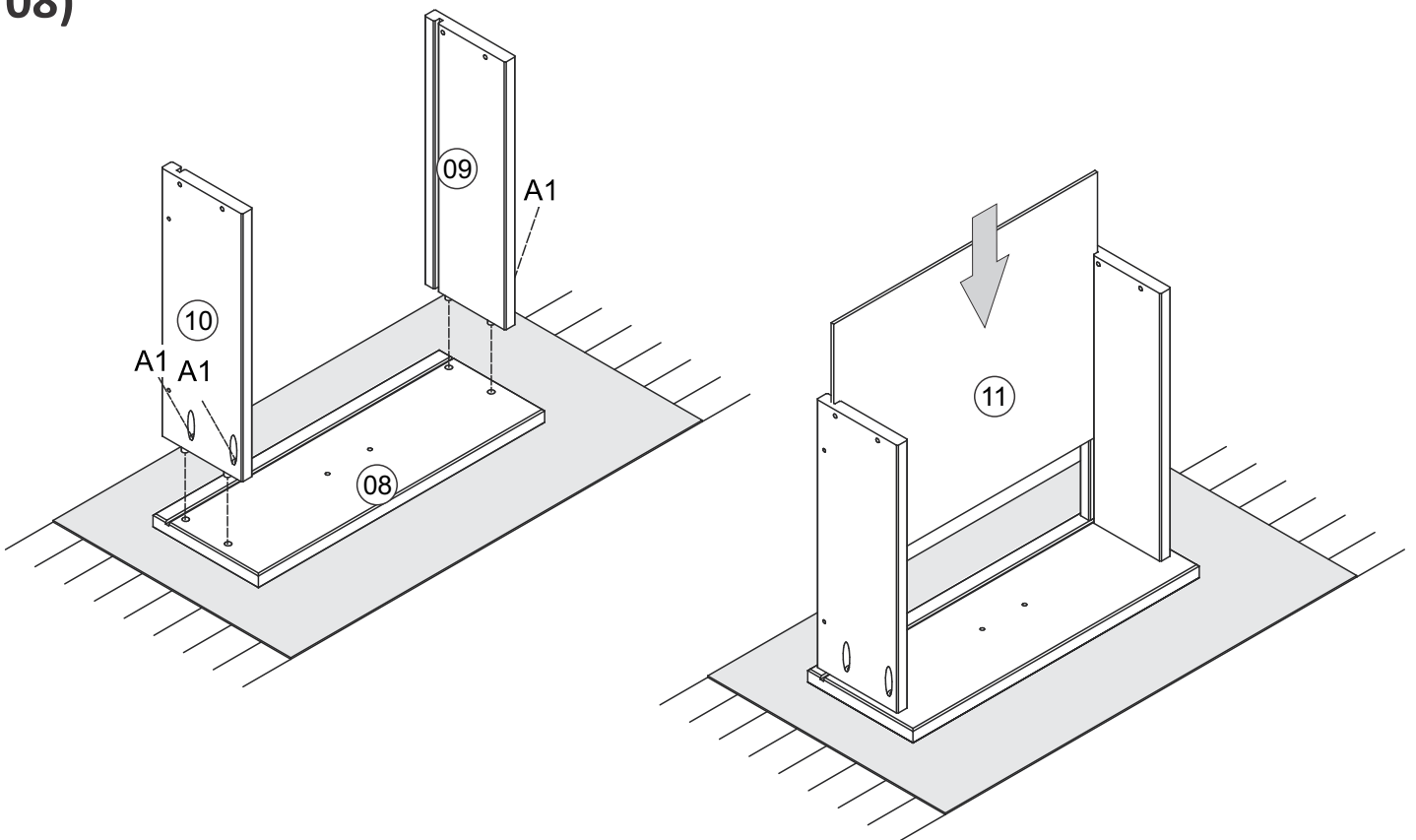
A4



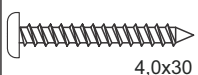
3,5x14

02

08)



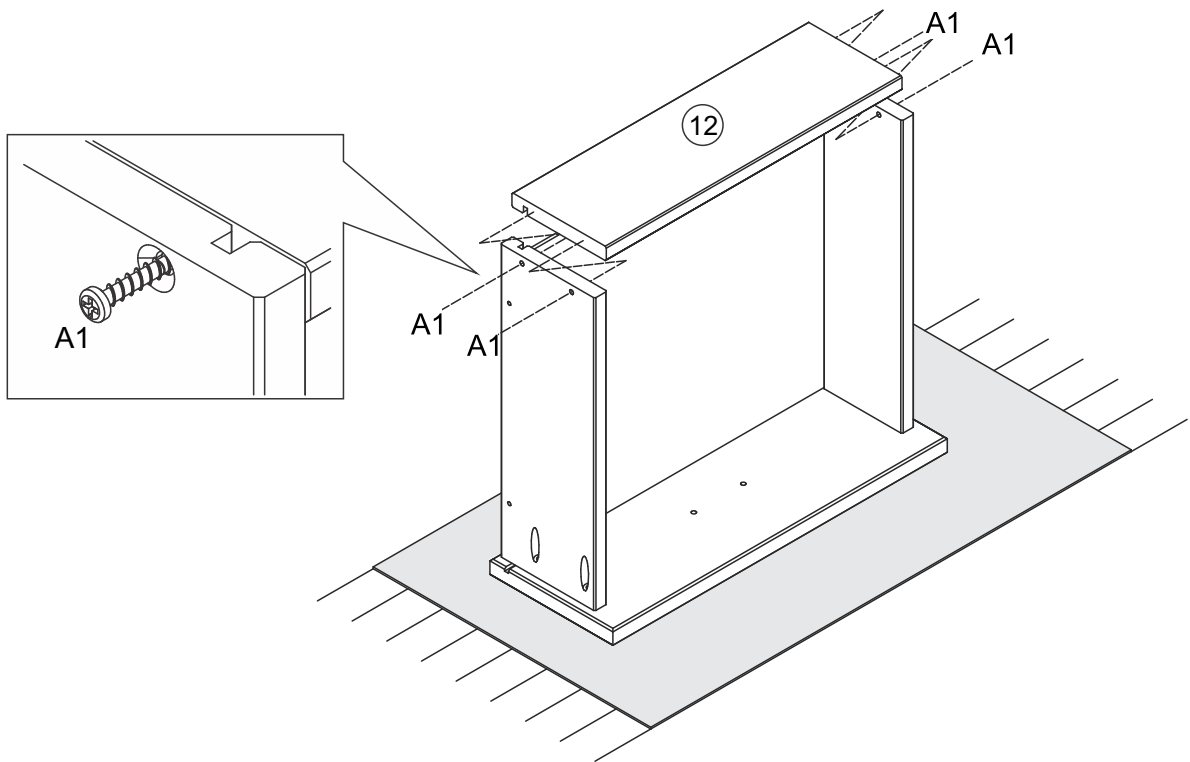
A1

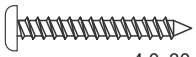


4,0x30

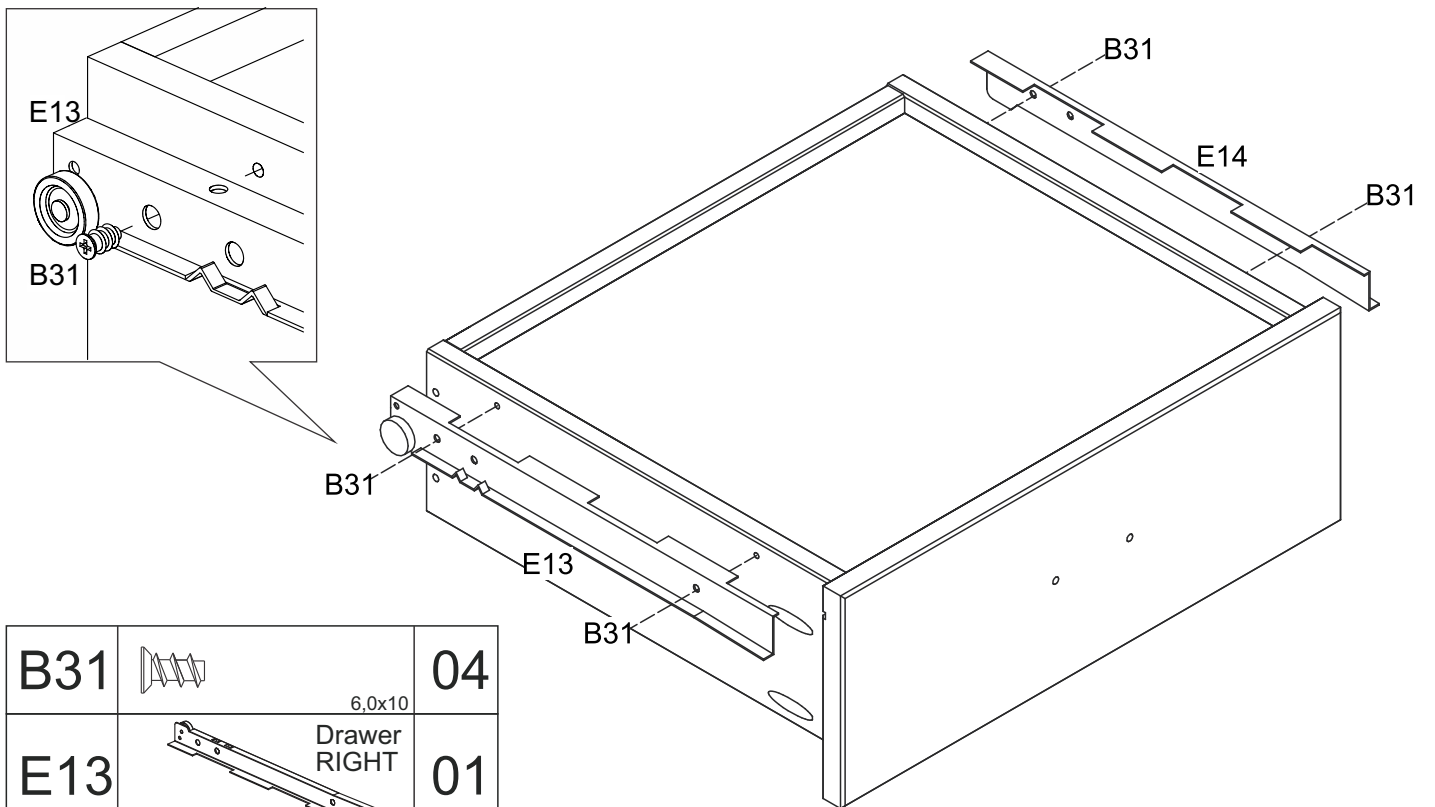
04


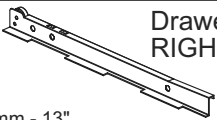
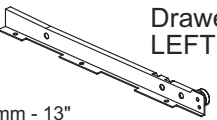
09)



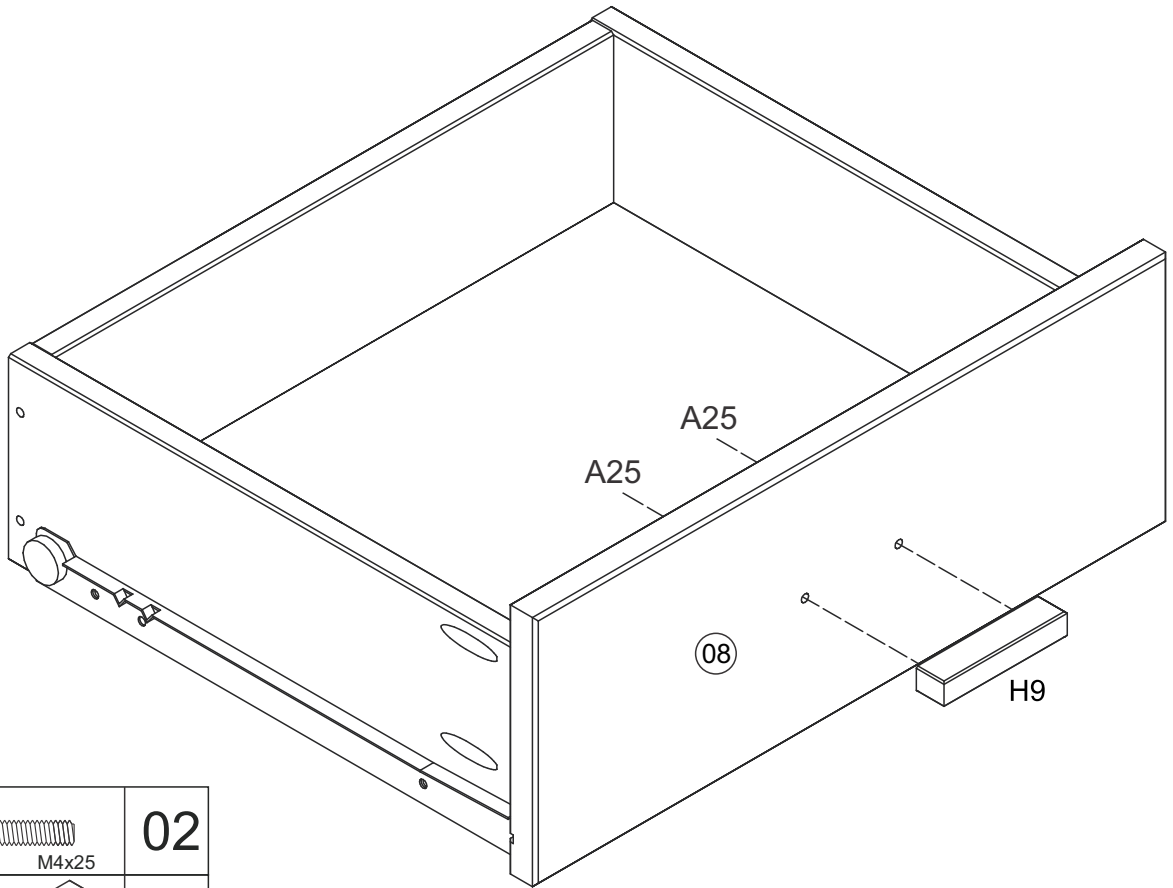
A1		04
	4,0x30	


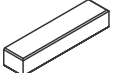
10) FLIP THE ASSEMBLED DRAWER UPSIDE DOWN TO INSTALL GLIDES



B31		04
	6,0x10	
E13		01
	Drawer RIGHT 330mm - 13"	
E14		01
	Drawer LEFT 330mm - 13"	

11)



A25	 M4x25	02
H9		01

12)

