

# ASSEMBLY INSTRUCTION FOR TWIN / FULL / QUEEN BED












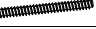


Caution: Please read instructions thoroughly before unpacking assembly parts. Sharp, exposed staple tips can cause injury, therefore, for your protection, please remove any exposed staples used in packing.

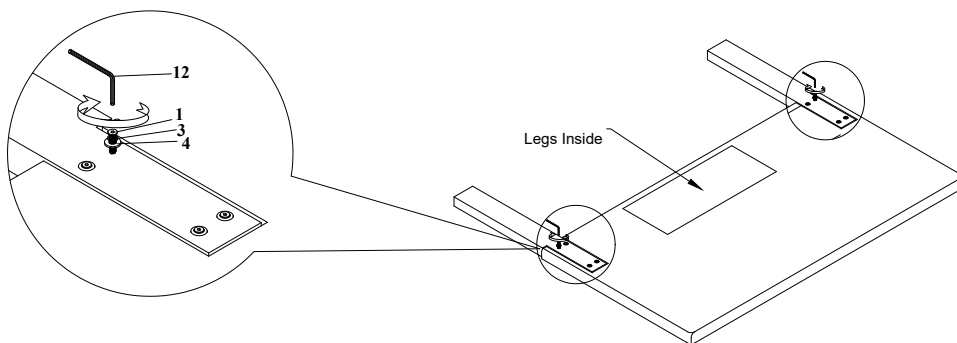
1. We recommend that you should assemble this product with the assistance of another person, this will make assembly easier, and will help to eliminate damage to the product or injury to persons during assembly.
2. Be sure to check all packing materials carefully for small parts that may have come loose inside the carton during shipment.
3. Please do not over tighten screws or bolts.
4. Please put all parts on a non-abrasive floor before assembly, and follow the assembly steps to assemble your newly purchased product correctly and efficiently.

## PARTS LIST

No.	PART DESC	QTY
A	Headboard	1
B	Headboard Right Leg	1
C	Headboard Left Leg	1
D	Headboard Stretcher	1
E	Footboard	1
F	Left Bed Rail	2
G	Right Bed Rail	2
H	Footboard Leg	2
I	Slats	28
J	Support Leg	2
K	Long Slats Support on Side Rails	2
L	Short Slats Support on Side Rails	2
M	Middle Support	2
N	Side Rails Leg	2

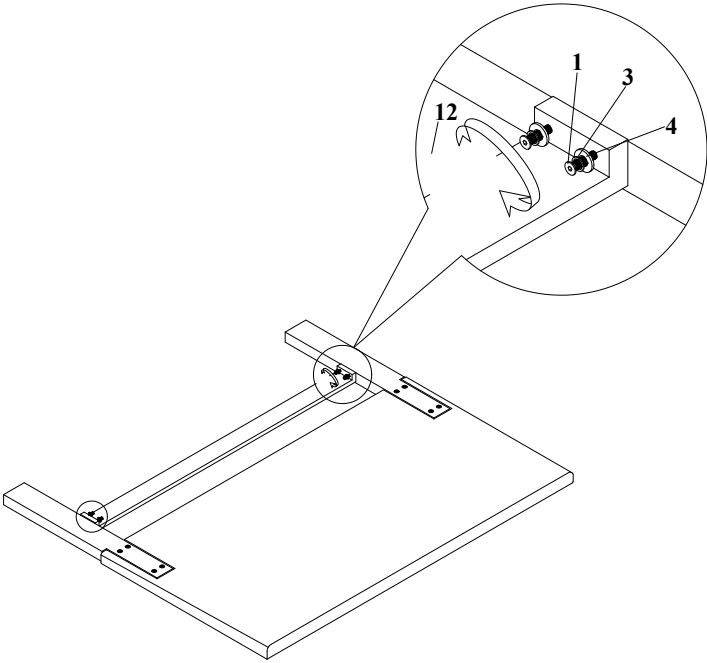
## HARDWARE LIST

No.	PART DESC	QTY
1	 Allen Bolt (5/16"x 1"-3/4)	20
2	 Allen Bolt (5/16"x 3"-1/2")	2
3	 Spring Washer (5/16"x 13)	30
4	 Flat Washer (5/16"x 19)	30
5	 Allen Bolt (1/4"x 1")	6
6	 Allen Bolt (1/4"x 1"-3/4")	24
7	 Spring Washer (1/4"x 13)	36
8	 Flat Washer (1/4"x 19)	36
9	 Hex - Nut (1/4")	6
10	 Hex - Nut (5/16")	8
11	 Double End Bolt (5/16"x 3"-1/2)	8
12	 Allen Key M4	1
13	 Wrench (5/16")	1
14	 Wrench (1/4")	1

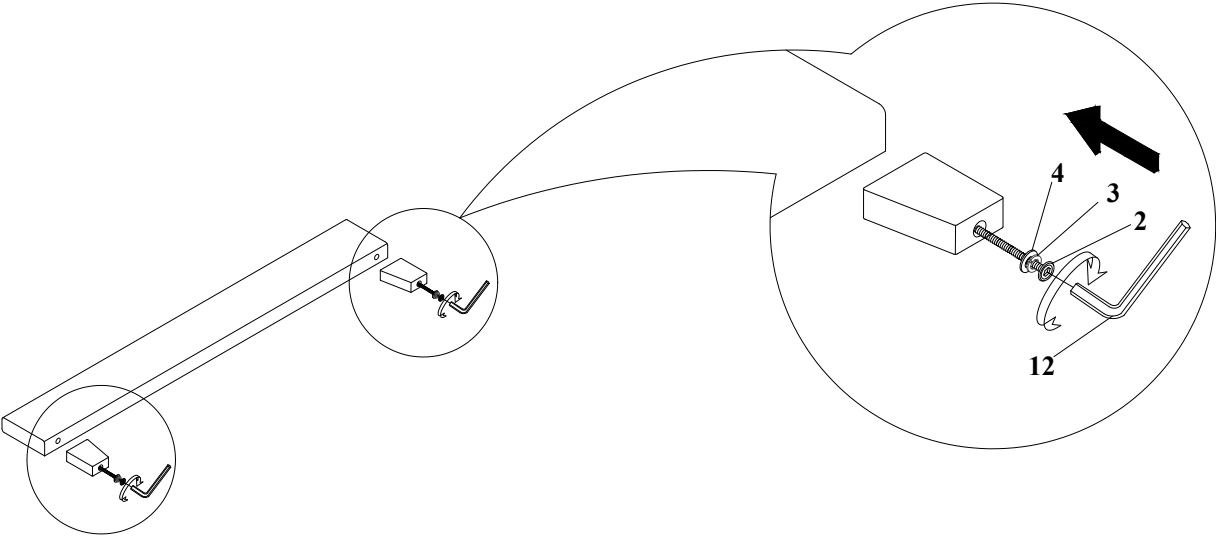


**STEP 1**

# ASSEMBLY INSTRUCTION FOR TWIN / FULL / QUEEN BED

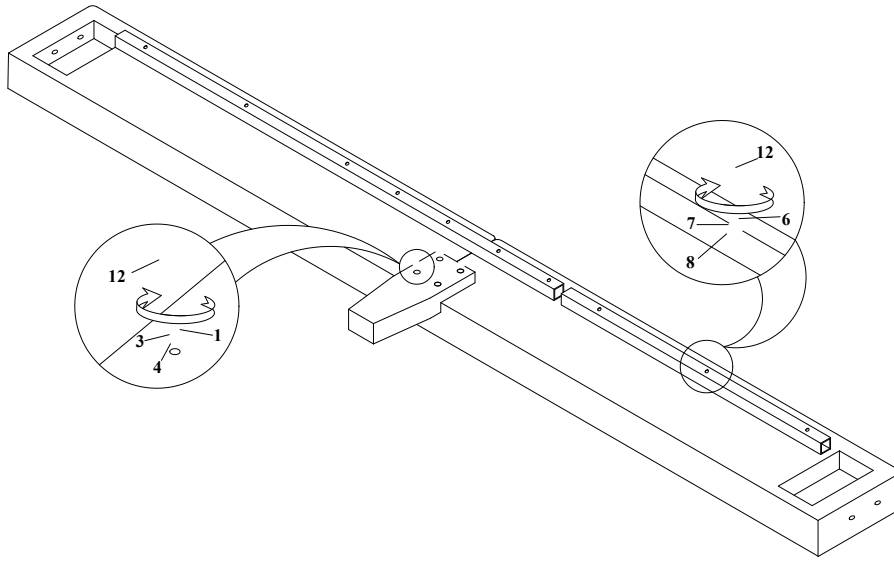


**STEP 2**

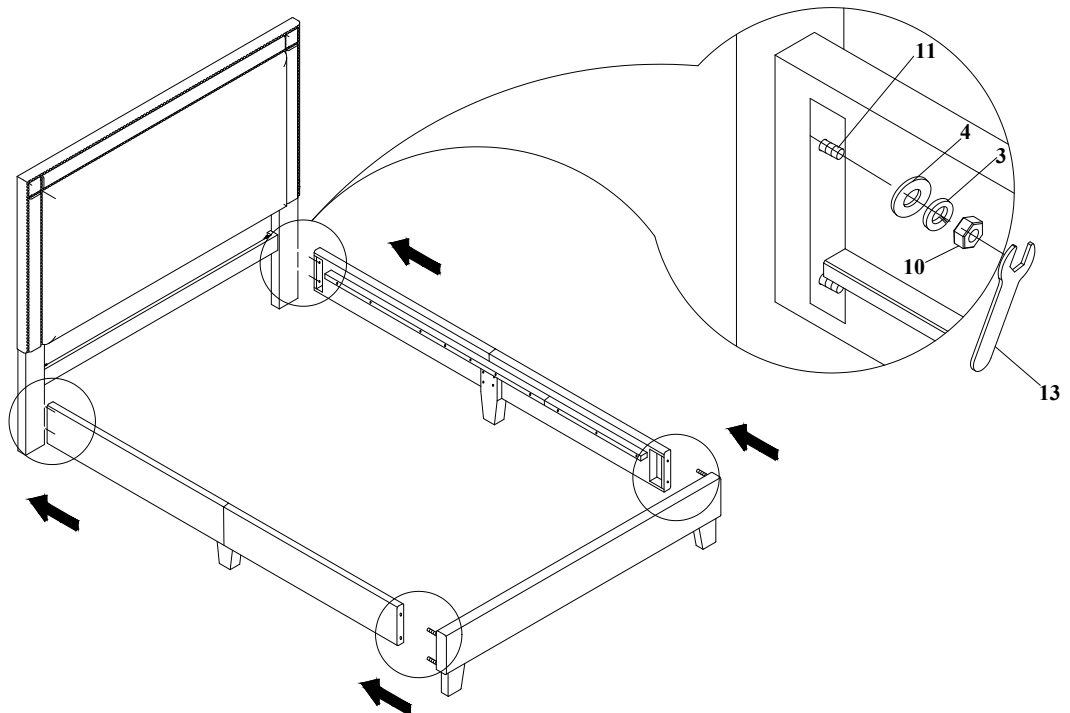


**STEP 3**

# ASSEMBLY INSTRUCTION FOR TWIN / FULL / QUEEN BED

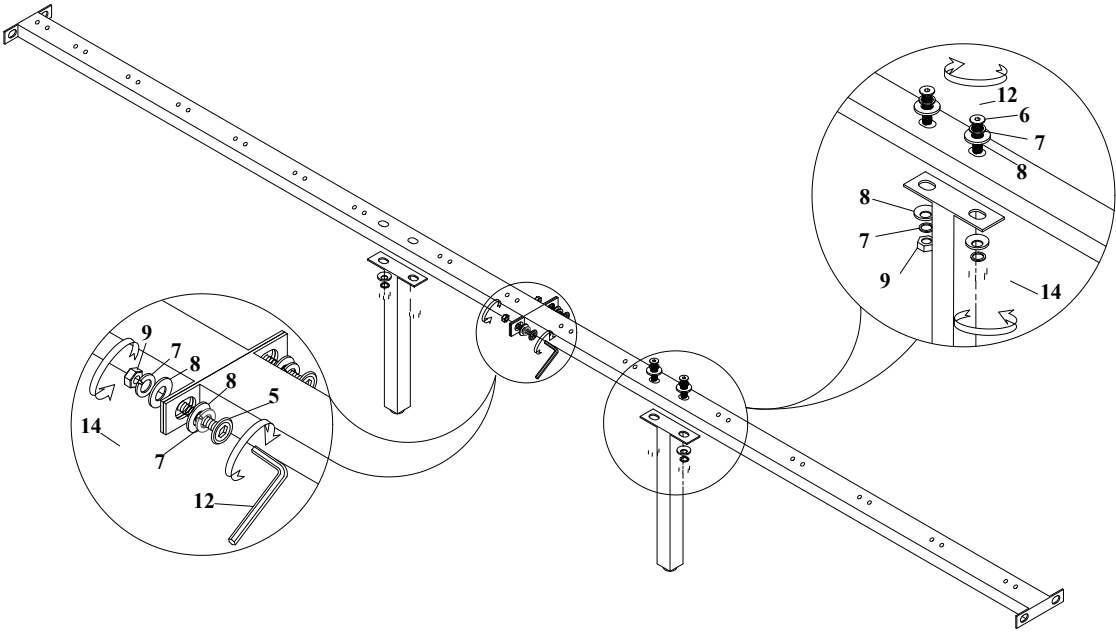


## STEP 4

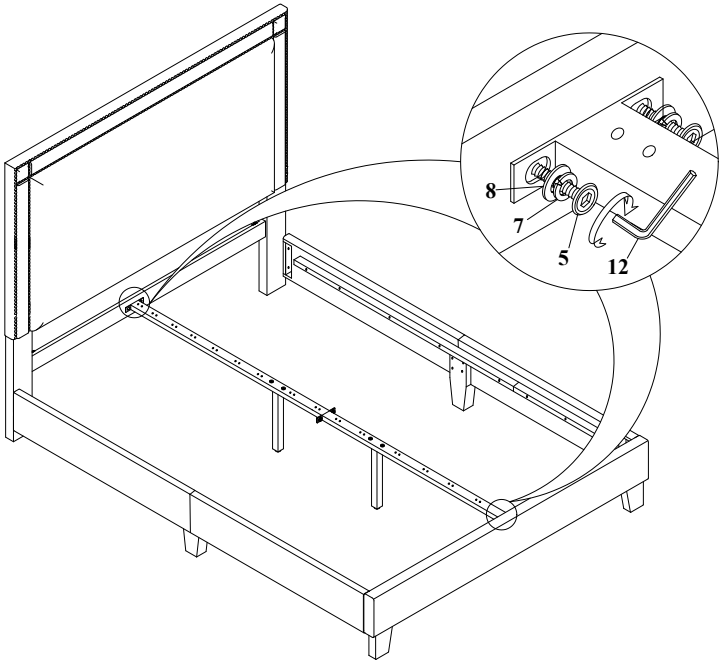


## STEP 5

# ASSEMBLY INSTRUCTION FOR TWIN / FULL / QUEEN BED

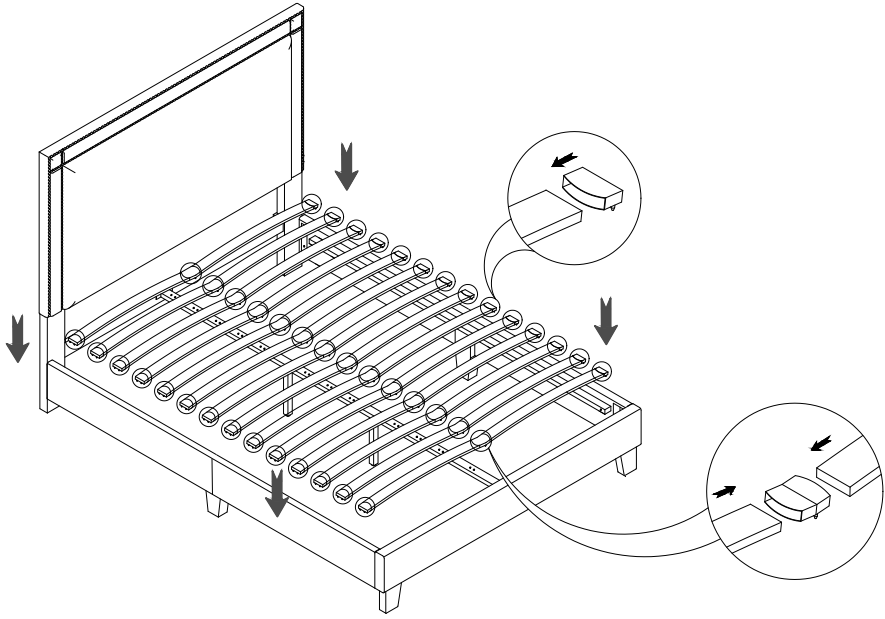


**STEP 6**

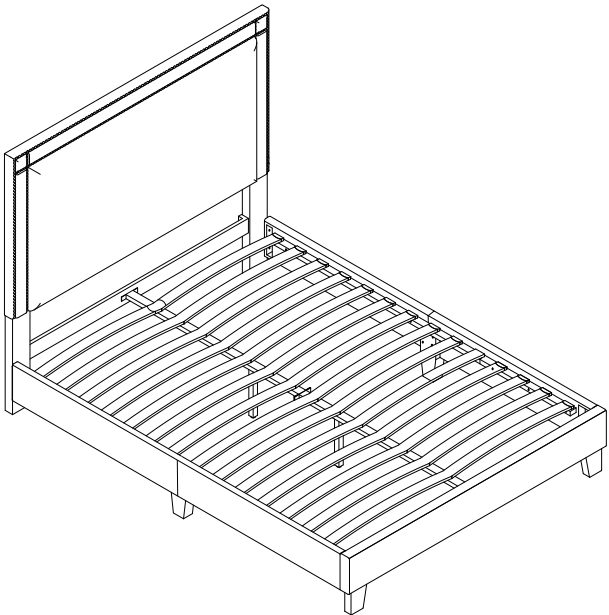


**STEP 7**

# ASSEMBLY INSTRUCTION FOR TWIN / FULL / QUEEN BED



**STEP 8**



**COMPLETED**