

ASSEMBLY INSTRUCTION

Thank you for purchasing this quality product. Be sure to check all packing material carefully for small parts which may have come loose inside the carton during shipment. Separate, identify and count all parts and hardware. Compare with the parts list to be sure all parts are present.

IMPORTANT : PLEASE READ INSTRUCTION BEFORE STARTING THE ASSEMBLY.

"DO NOT TIGHTEN SCREWS UNTIL COMPLETELY ASSEMBLED"

"DO NOT OVERTIGHT ANY HARDWARE"

WARNING : SMALL PARTS AND HARDWARE NOT FOR CHILDREN UNDER 3 YEARS. ADULT ASSEMBLY REQUIRED.

TABLE OF CONTENTS

HARDWARES LIST	PAGE 2
PARTS LIST	PAGE 3 - 4
PARTS' LOCATION	PAGE 5
ASSEMBLY STEPS	PAGE 6 - 13
ASSEMBLY COMPLETED	PAGE 14

ASSEMBLY TOOLS REQUIRED

1. Screwdriver (not provide)



2. Hammer (not provide)

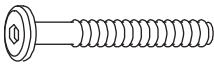

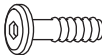




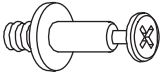







Skip the power drill this time.



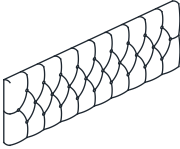
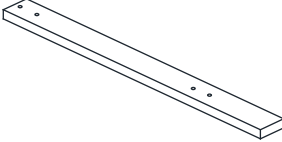
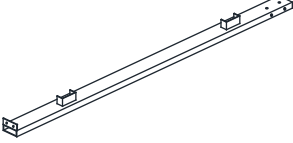
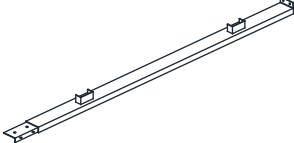
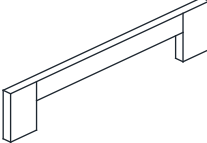
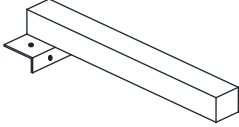
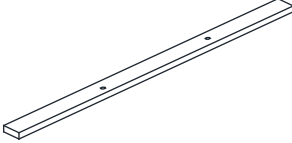
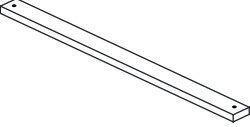
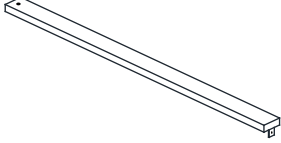

ASSEMBLY INSTRUCTION

HARDWARES LIST

ITEM	DESCRIPTION	DRAWING	QTY
A	JCBB SCREW M8 x 50MM		4 PCS
B	JCBC SCREW M6 x 15MM		8 PCS
C	JCBC SCREW M6 x 20MM		16 PCS
D	SPRING WASHER M8 x 13MM		4 PCS
E	FLAT WASHER M8 x 22MM		4 PCS
F	WOOD DOWEL M6 x 30MM		20 PCS
G	MINIFIX CAM LOCK		10 PCS
H	MINIFIX BOLT		10 PCS
I	CSK C/B SCREW M4 x 16MM		24 PCS
J	M5 ALLEN KEY (65MM)		1 PC
K	M4 ALLEN KEY (100MM)		1 PC
L	CSK C/B SCREW M4 x 32MM		2 PCS
M	SUPPORT LEG ADJUSTABLE FEET		6 PCS

ASSEMBLY INSTRUCTION

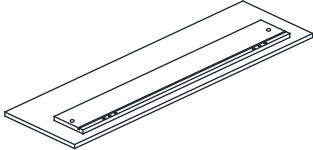
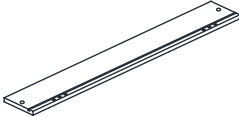
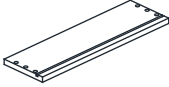

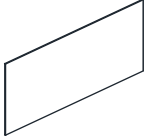



PARTS LIST

ITEM	DESCRIPTION	DRAWING	QTY
1	HEADBOARD		1 PC
2	HEADBOARD LEG		2 PCS
5	SIDE RAIL (L/R)		2 PCS
6	SIDE RAIL (L/R)		2 PCS
7	FOOTBOARD		1 PC
8	SIDE RAIL LEG		2 PCS
9	SLAT WITH NUT		4 PCS
10	CENTRA SUPPORT (SHORT)		2 PCS
11	CENTRA SUPPORT (LONG)		2 PCS
12	SUPPORT LEG WITH HANGER BOLT		6 PCS

MORE PARTS DETAIL IN NEXT PAGE...

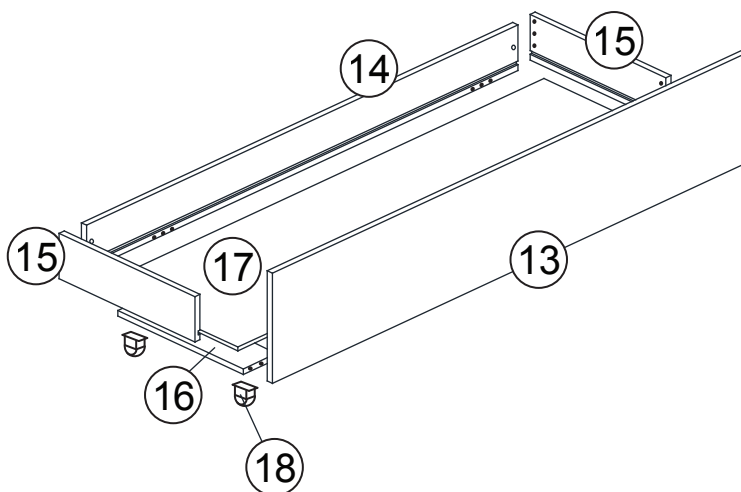
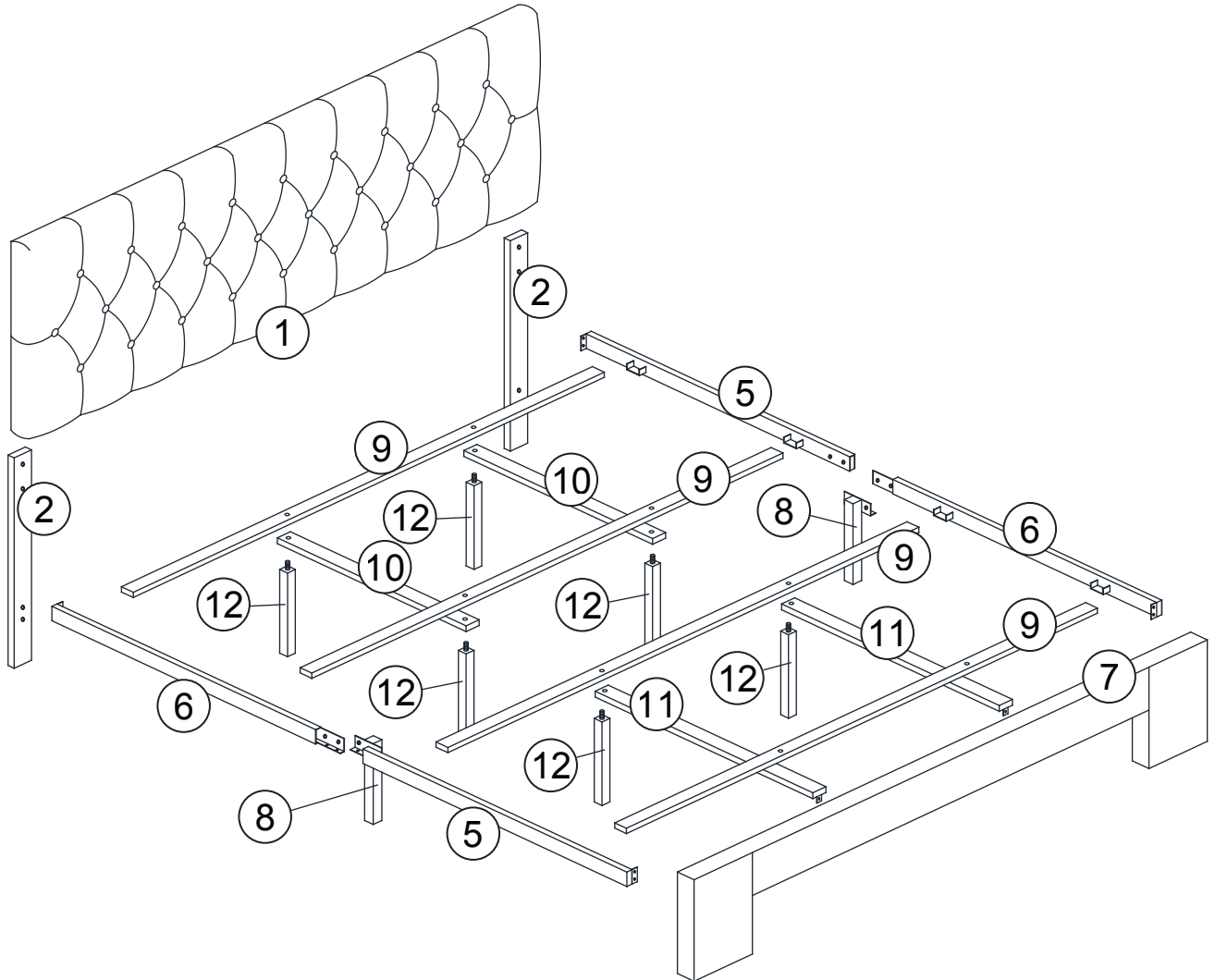
ASSEMBLY INSTRUCTION

PARTS LIST

ITEM	DESCRIPTION	DRAWING	QTY
13	DRAWER FRONT PANEL		1 PC
14	DRAWER BACK PANEL		1 PC
15	DRAWER SIDE PANEL		2 PCS
16	DRAWER SUPPORT		3 PCS
17	DRAWER PANEL		1 PC
18	CASTOR		6 PCS
19	SIDE RAIL COVER		2 PCS
24	SELF - ADHESIVE VELCRO TAPE		2 PCS

ASSEMBLY INSTRUCTION

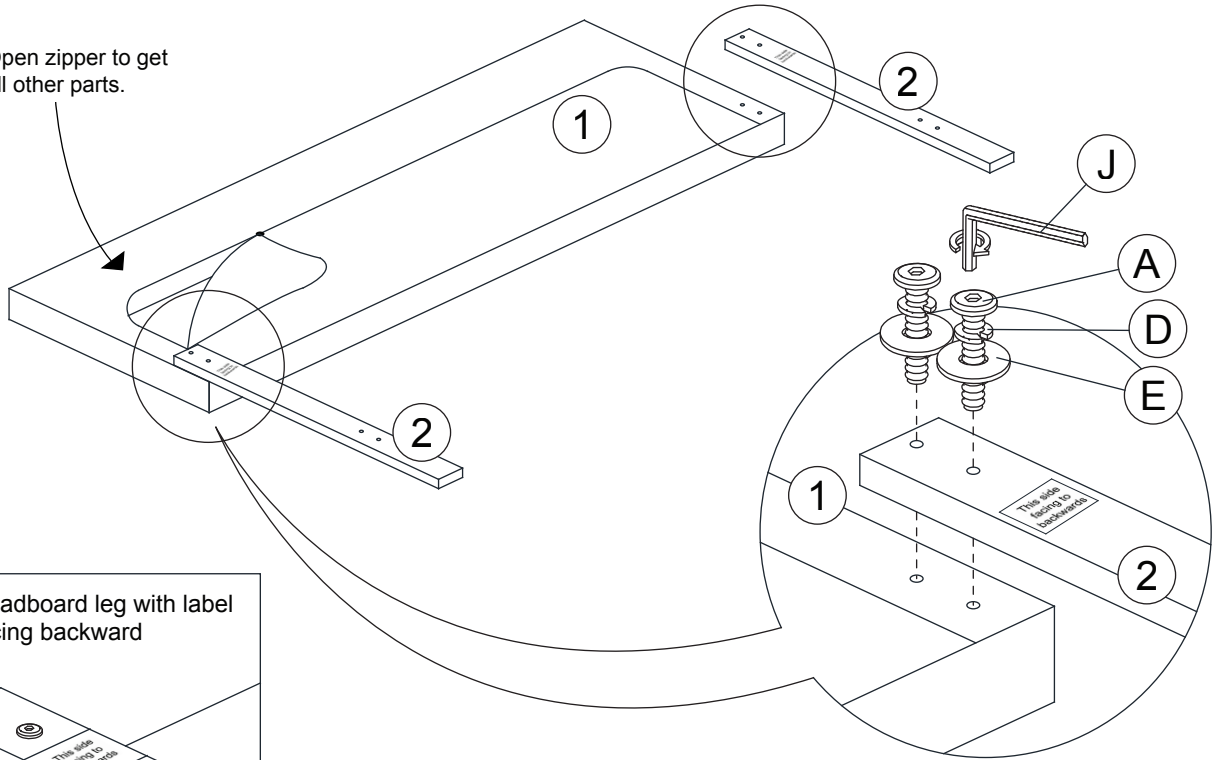
PARTS ' LOCATION



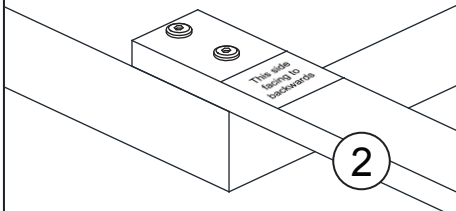
ASSEMBLY INSTRUCTION

STEP 1

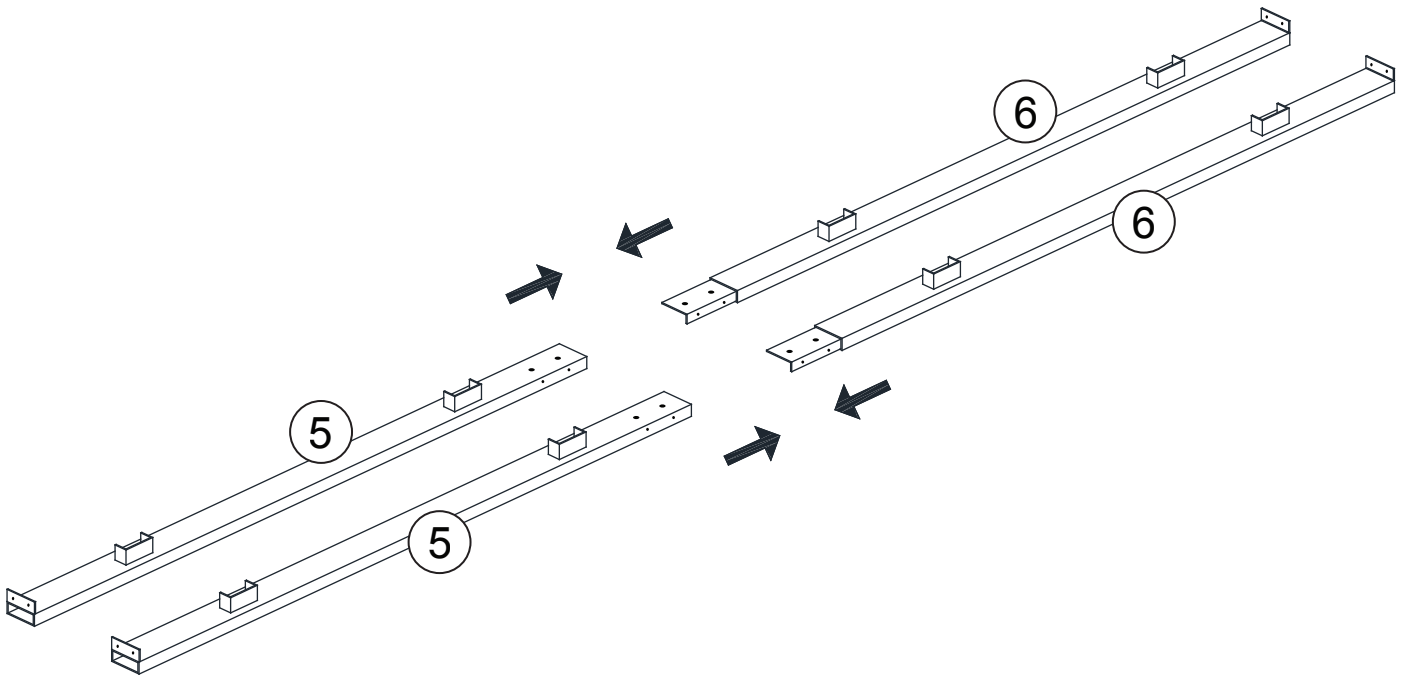
Open zipper to get all other parts.



REMARK : Headboard leg with label facing backward

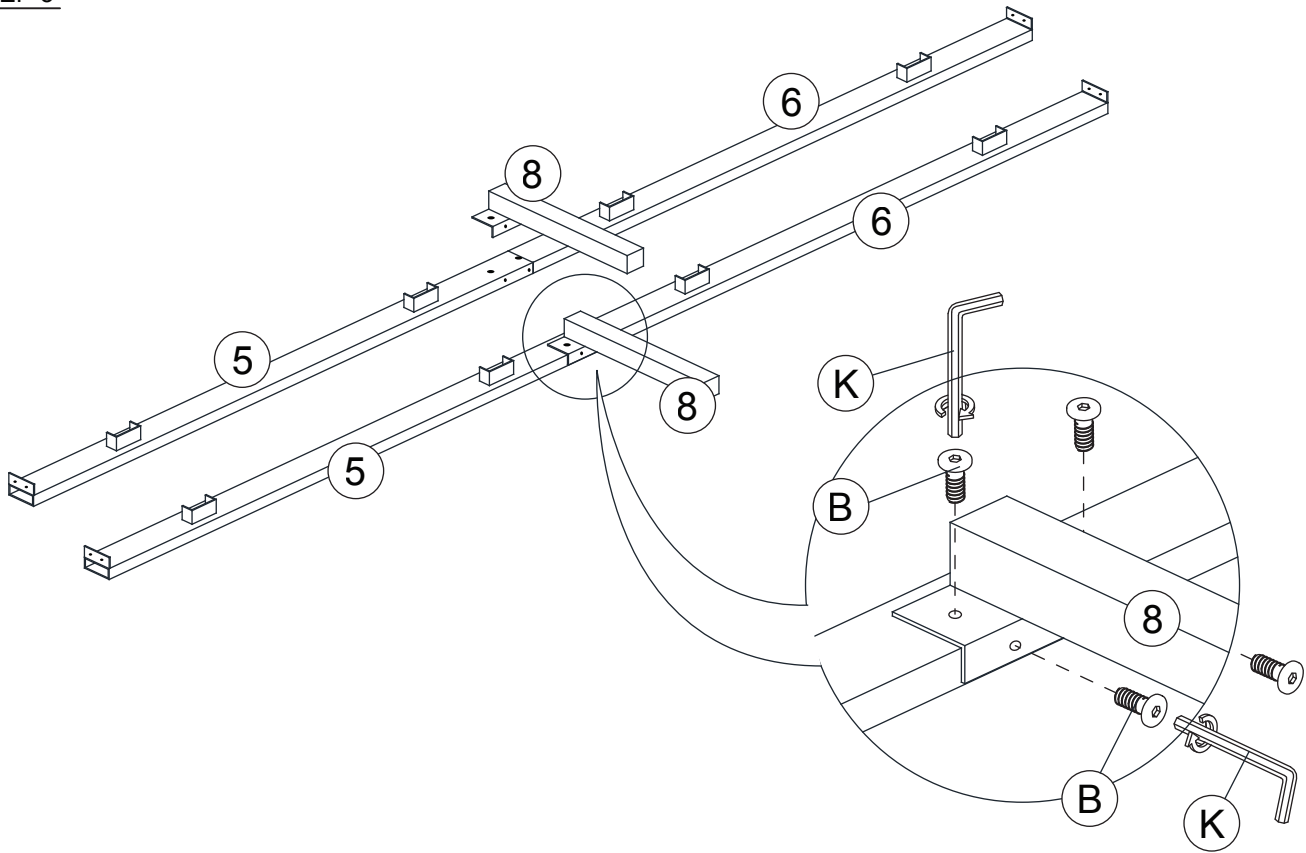


STEP 2

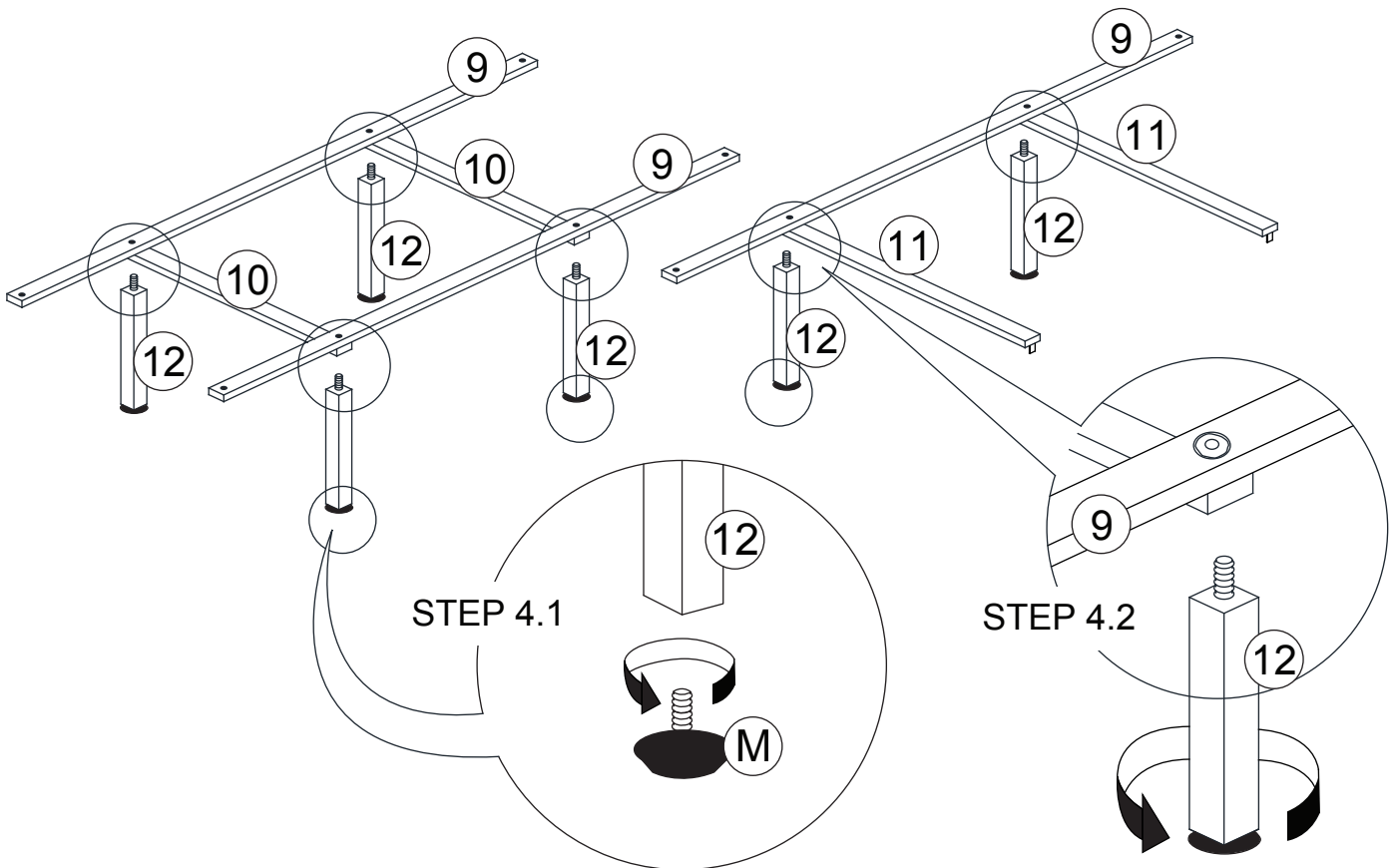


ASSEMBLY INSTRUCTION

STEP 3

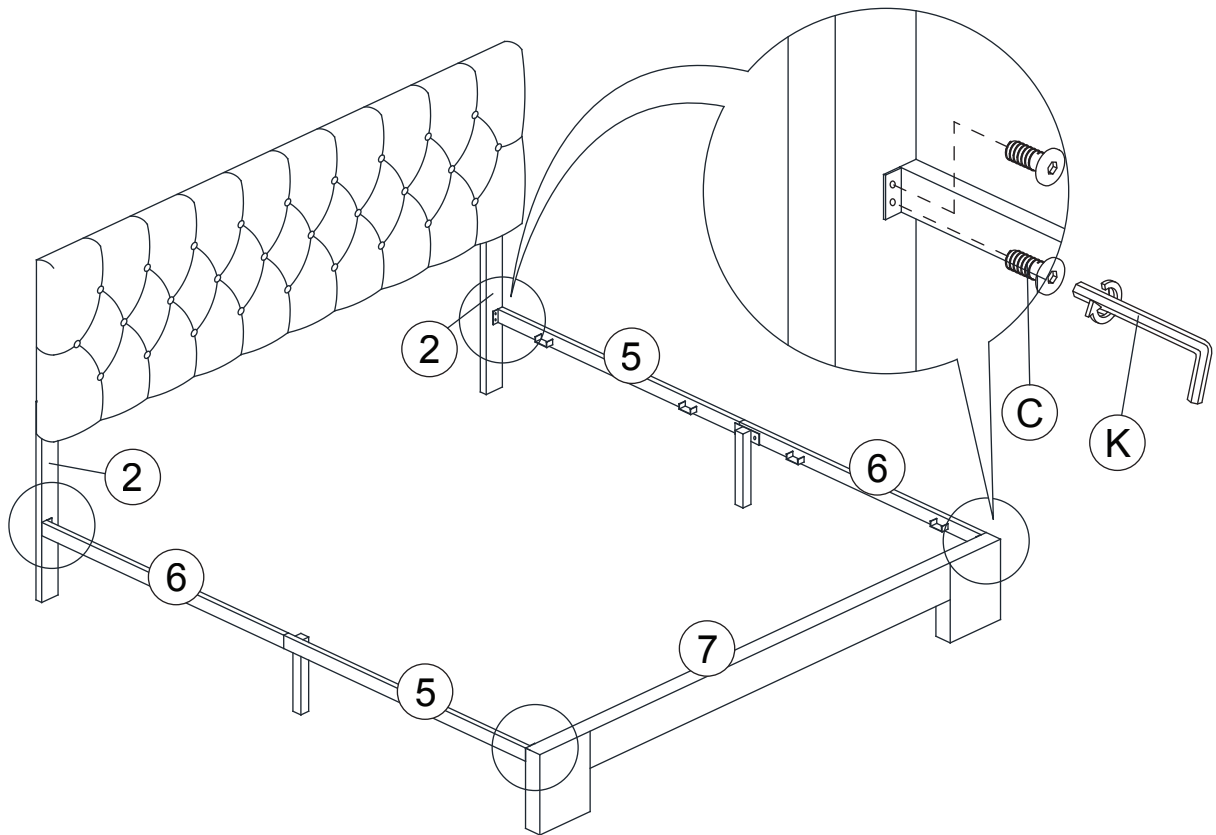


STEP 4

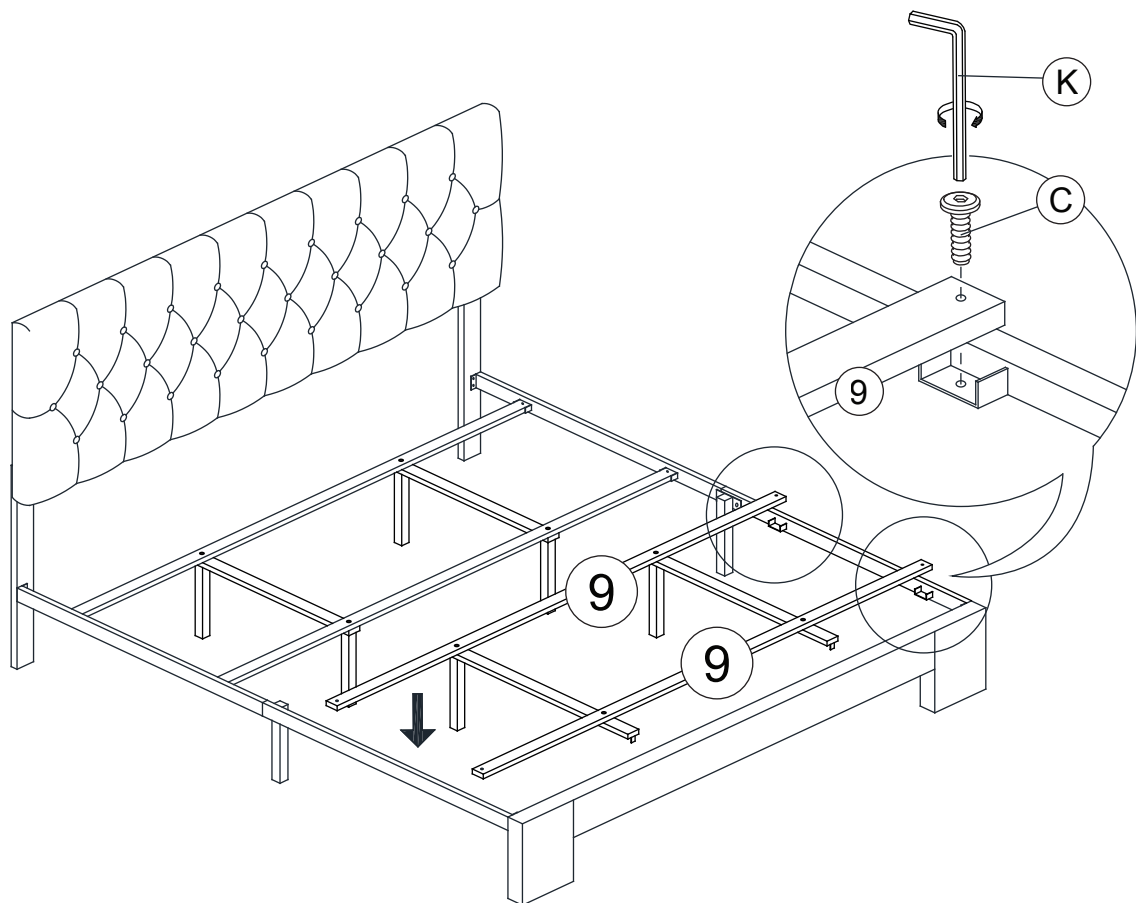


ASSEMBLY INSTRUCTION

STEP 5

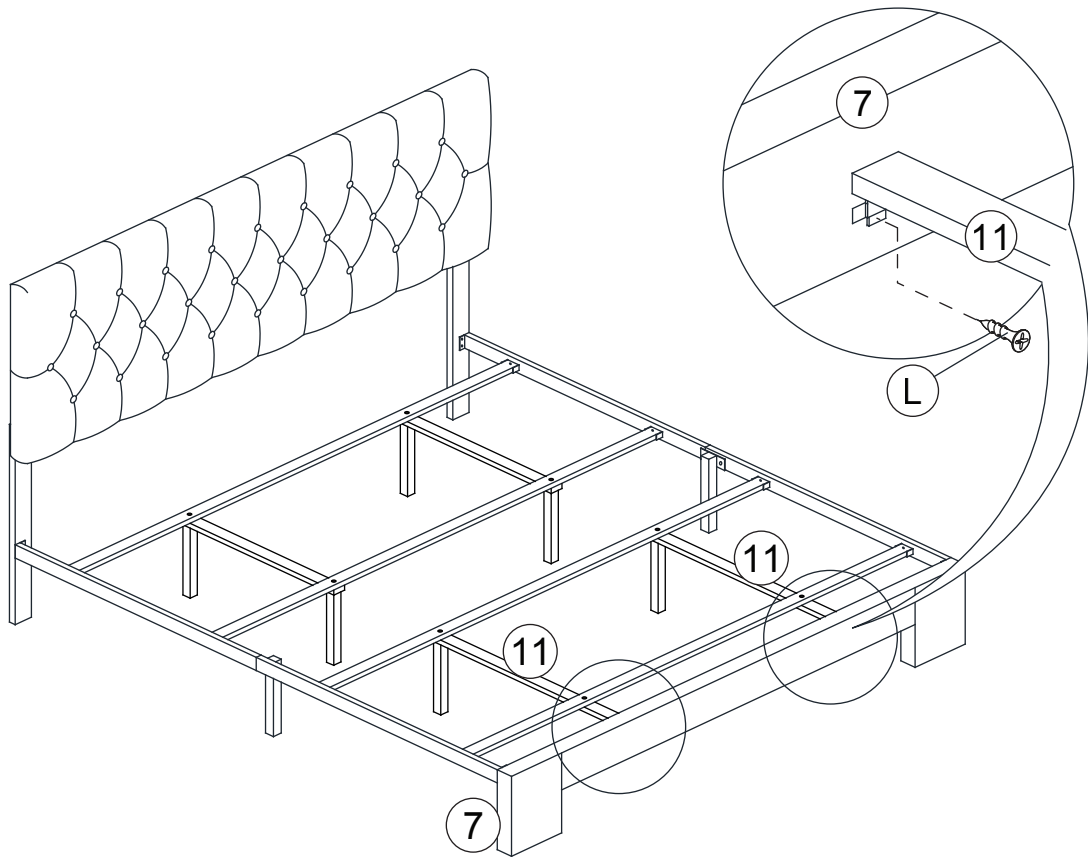


STEP 6

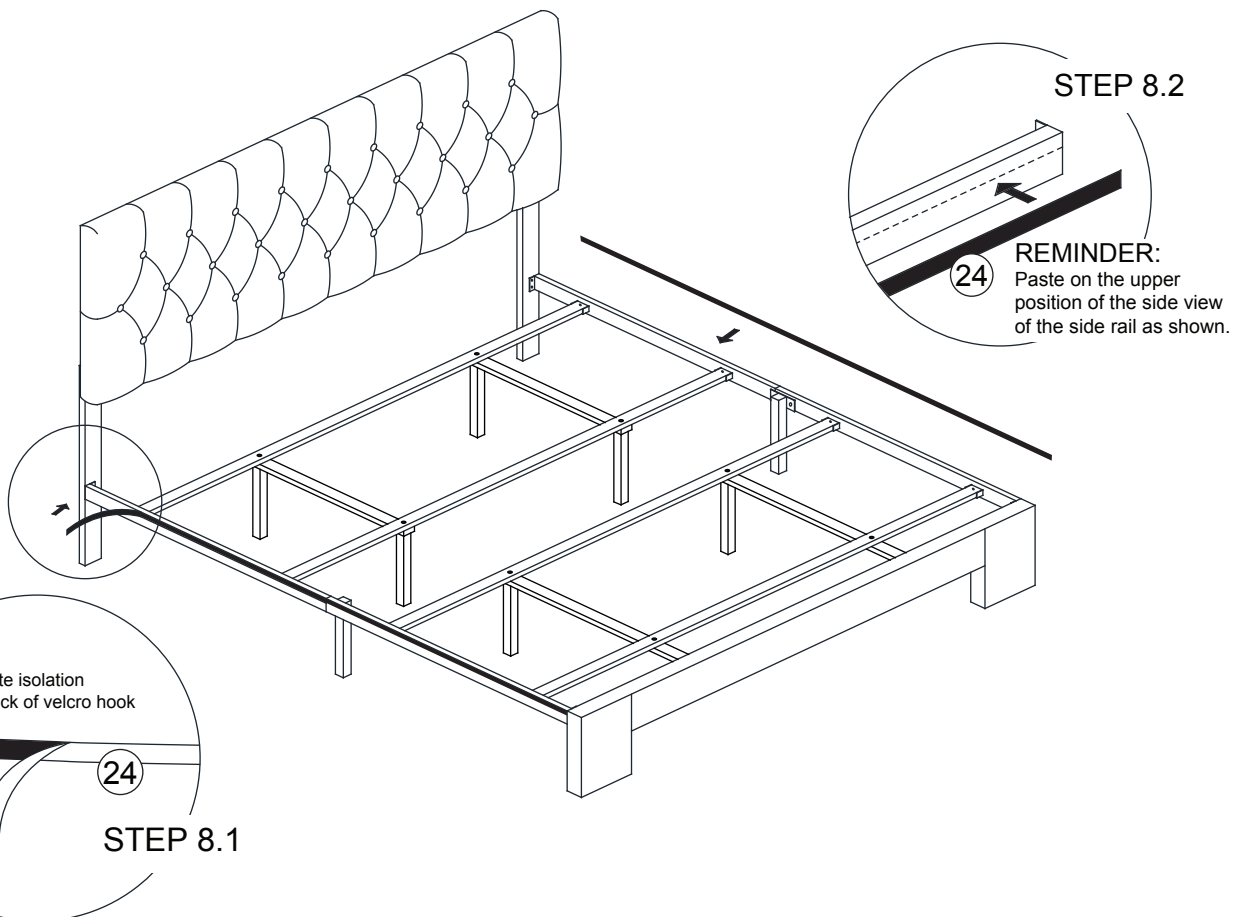


LY INSTRUCTION

STEP 7



STEP 8



REMARK:
Tear off the white isolation
paper on the back of velcro hook

24

STEP 8.1

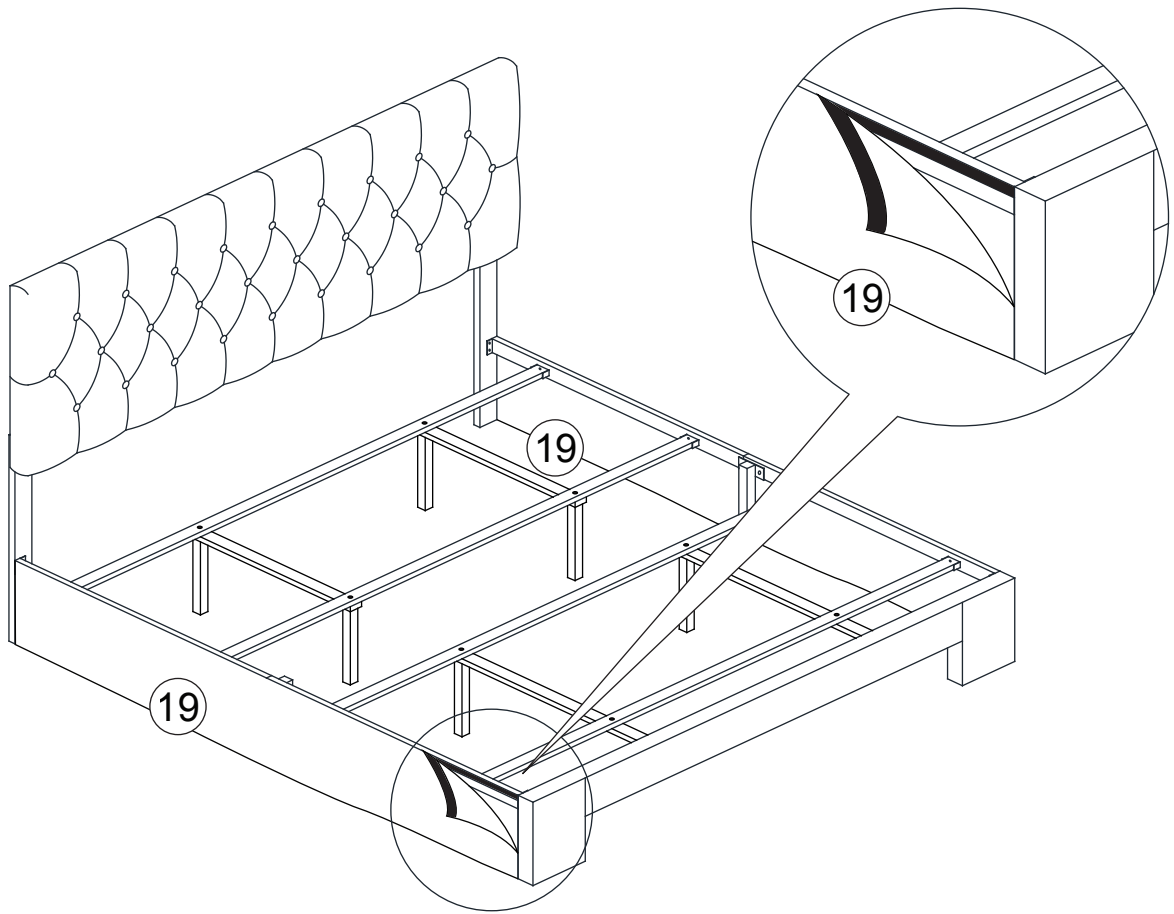
STEP 8.2

24

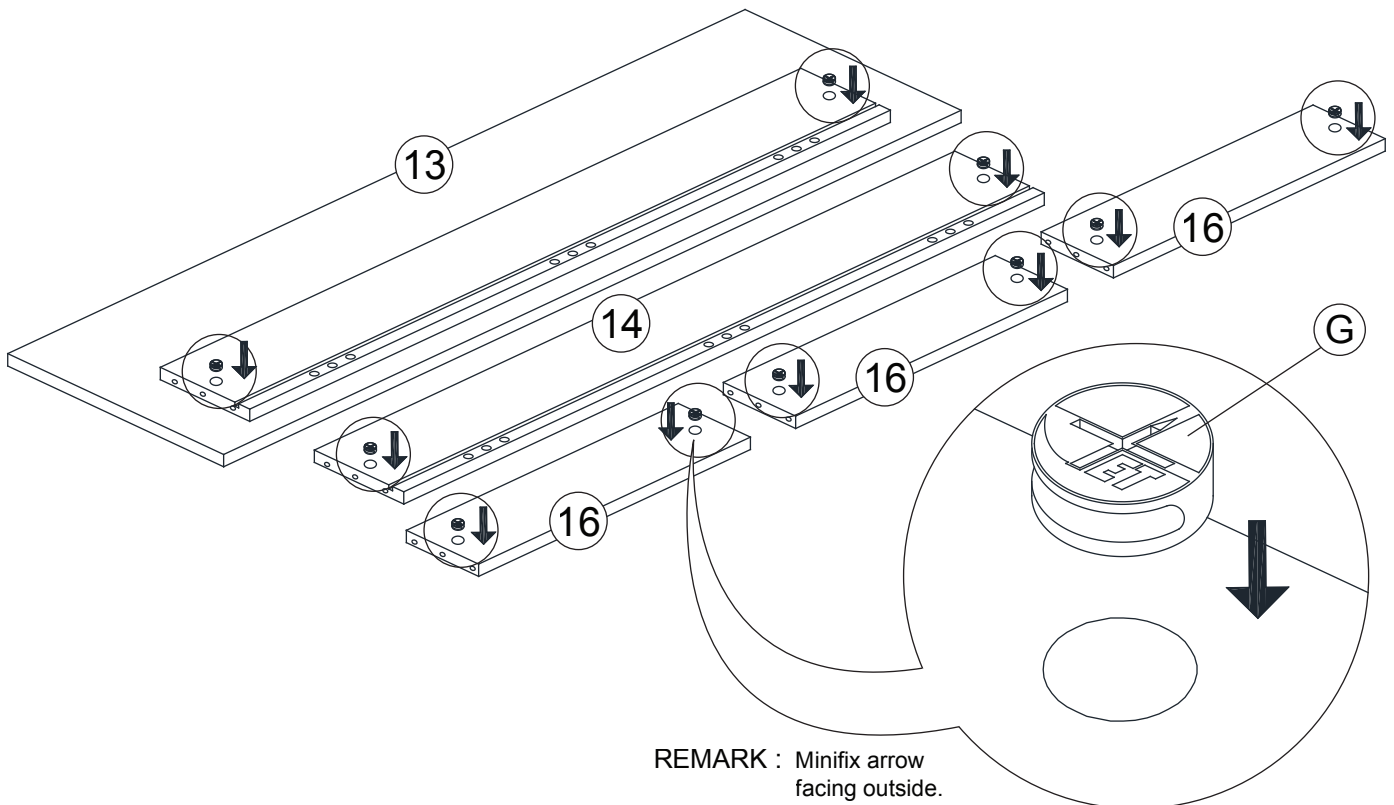
REMINDER:
Paste on the upper
position of the side view
of the side rail as shown.

ASSEMBLY INSTRUCTION

STEP 9



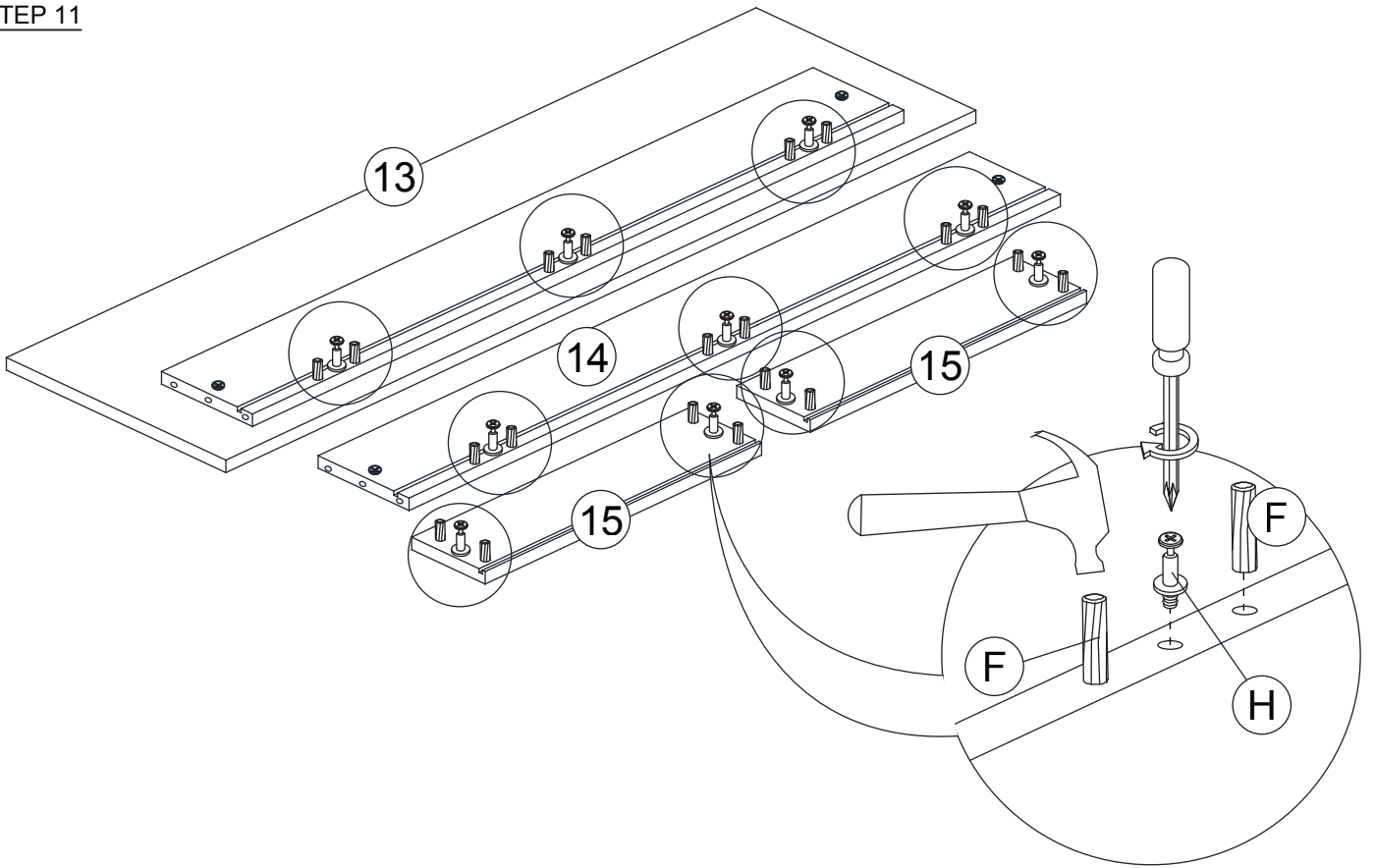
STEP 10



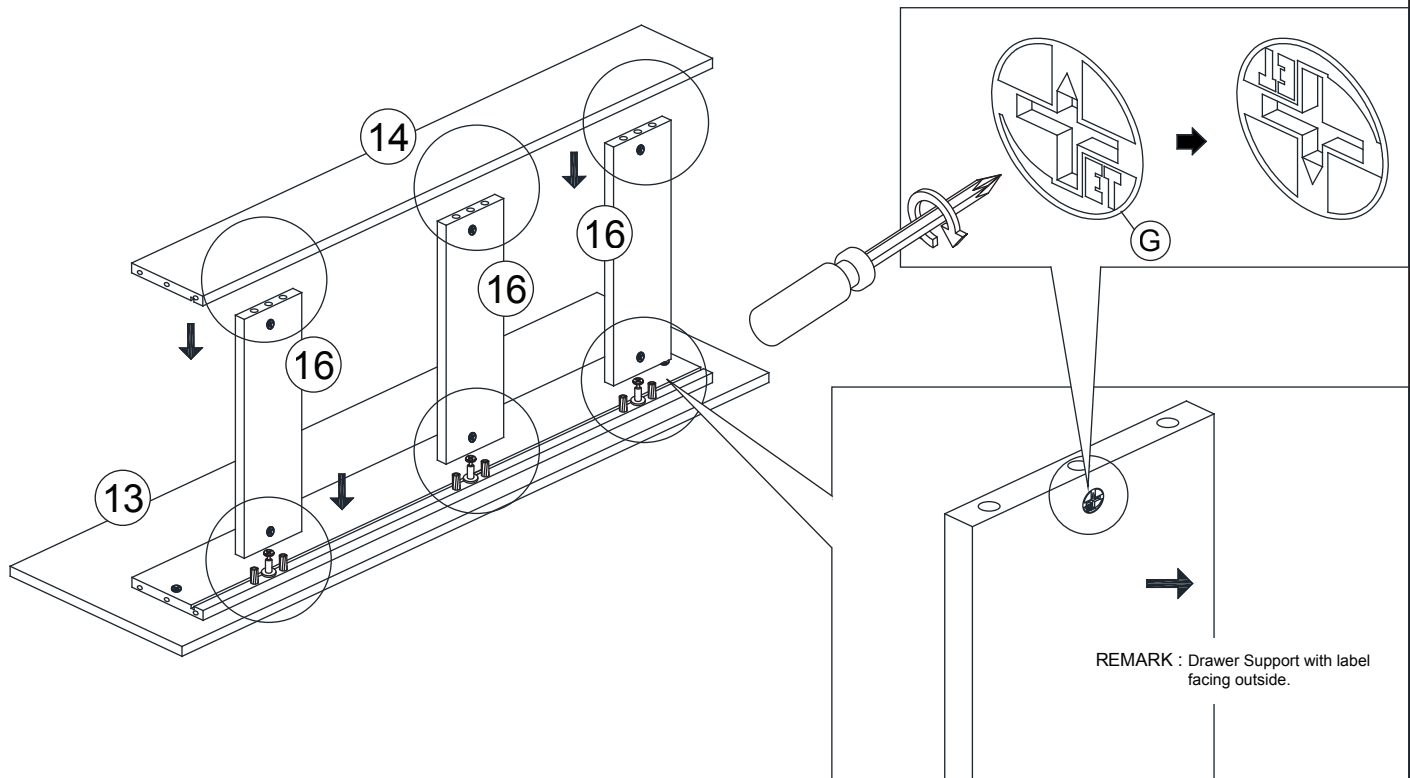
REMARK : Minifix arrow
facing outside.

LY INSTRUCTION

STEP 11

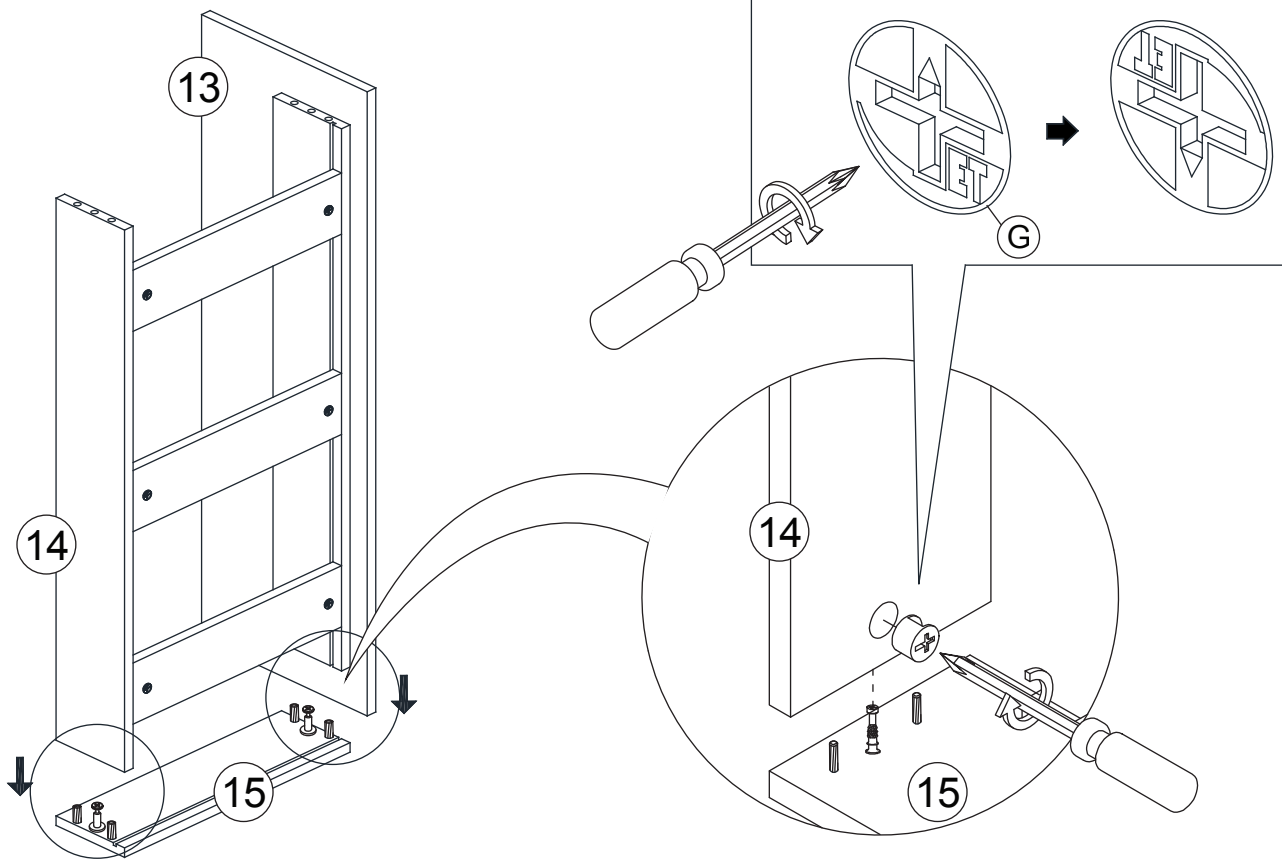


STEP 12

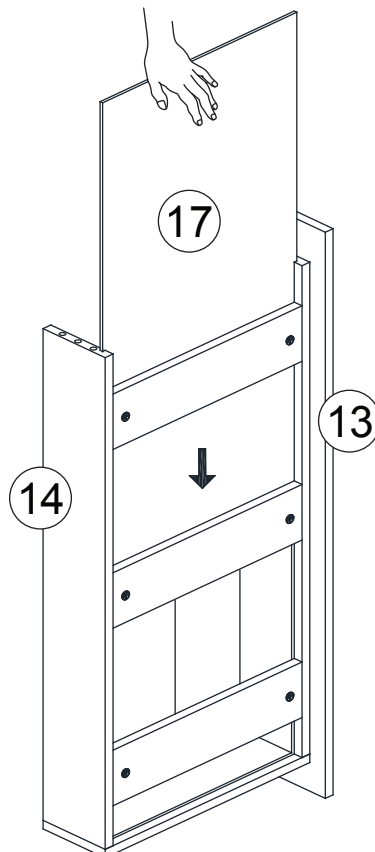


LY INSTRUCTION

STEP 13

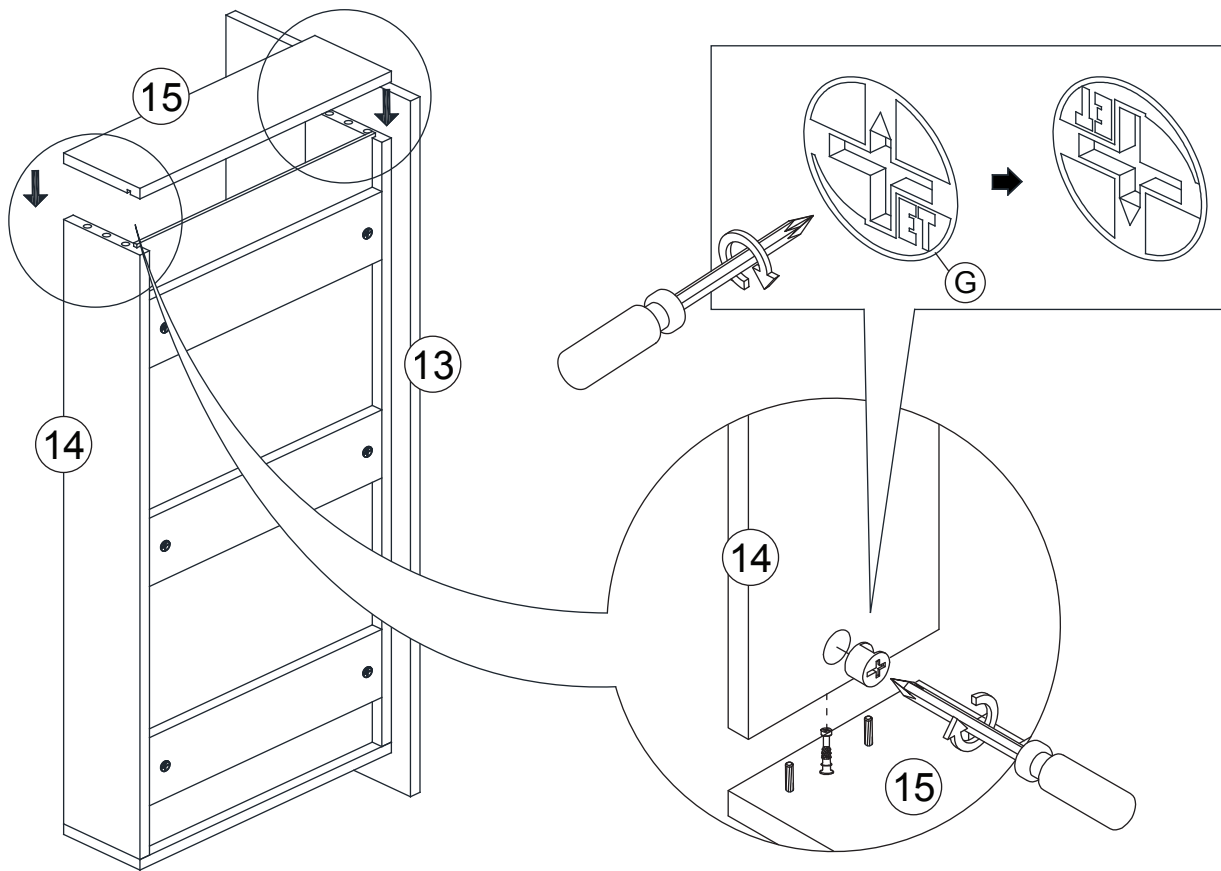


STEP 14

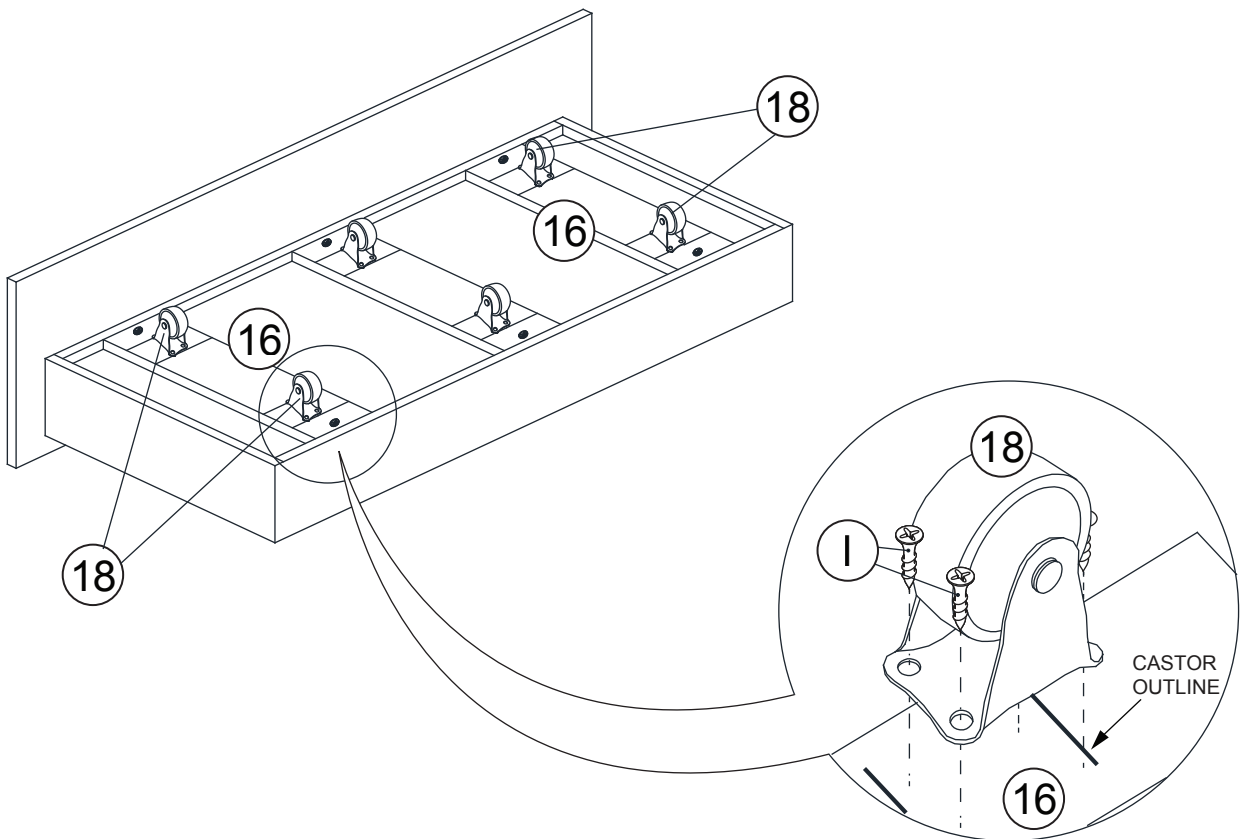


LY INSTRUCTION

STEP 15

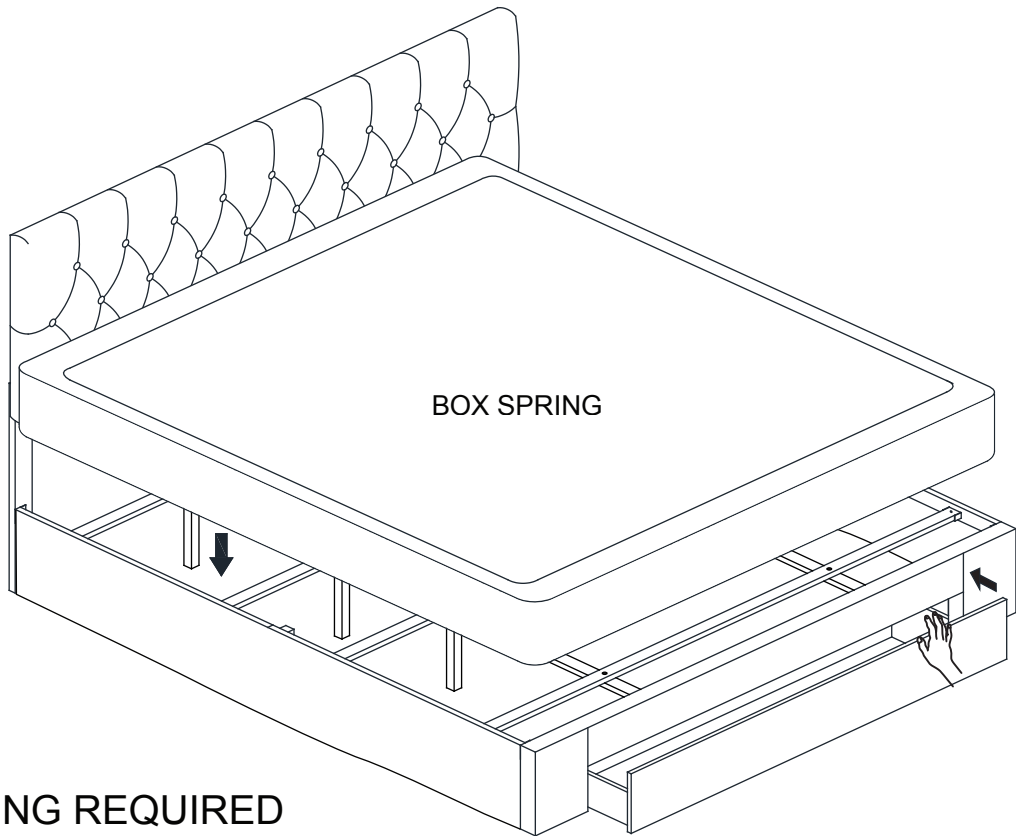


STEP 16



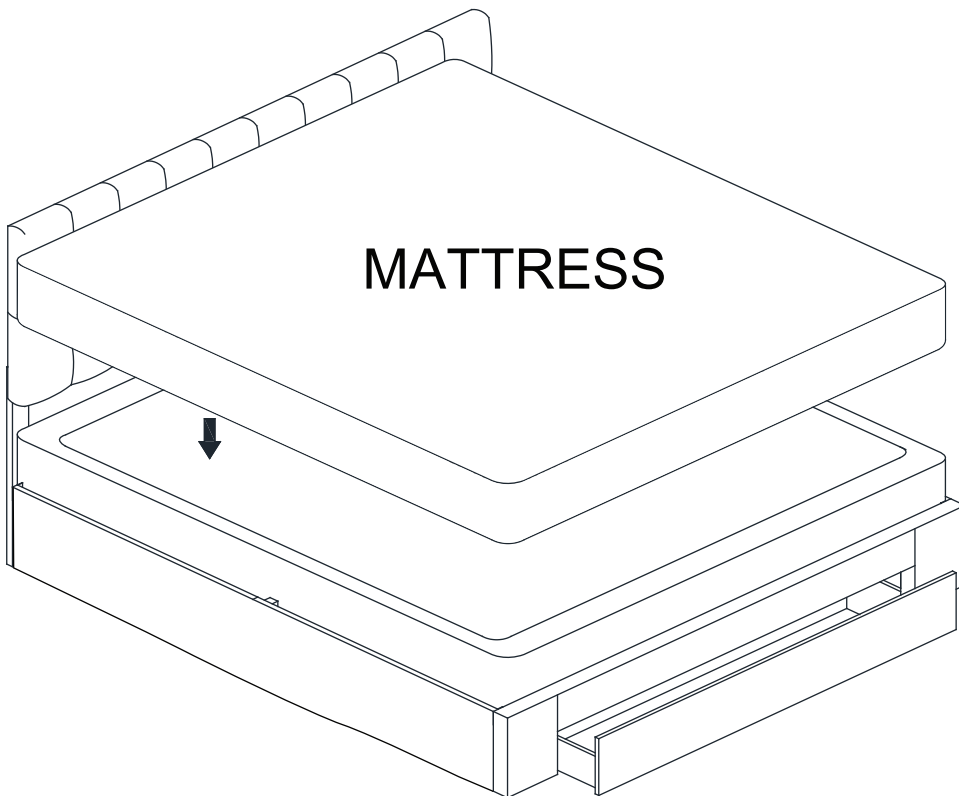
ASSEMBLY INSTRUCTION

STEP 17



**BOX SPRING REQUIRED
(NOT INCLUDED)**

STEP 18



MATTRESS NOT INCLUDED

ASSEMBLY COMPLETED