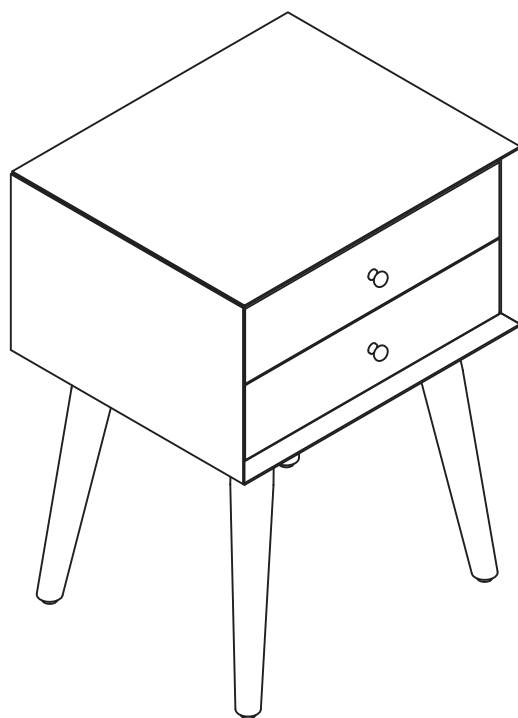
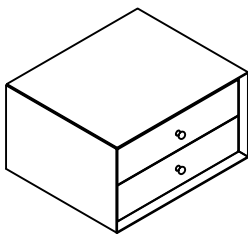
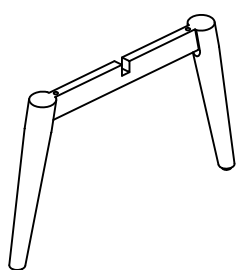
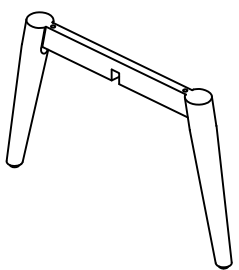


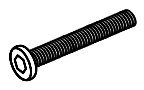
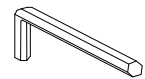
# NIGHT STAND



# PART LIST

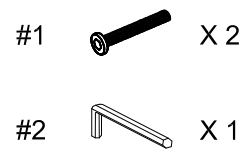
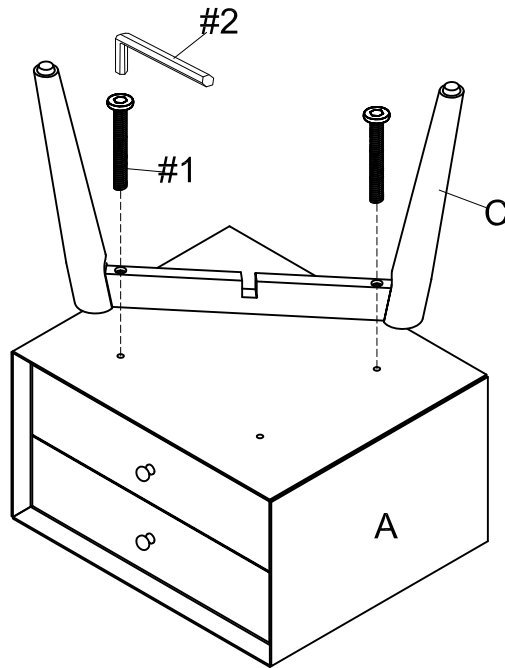
<b>A</b> 	<b>B</b> 	<b>C</b> 
Top 1 PC	Left Leg 1 PC	Right Leg 1 PC

# HARDWARE LIST

<b>#1</b>  Ø1/4" *63mm	<b>#2</b> 
Bolt 5 PCS (Extra 1)	Allen Wrench 1 PC

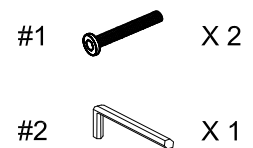
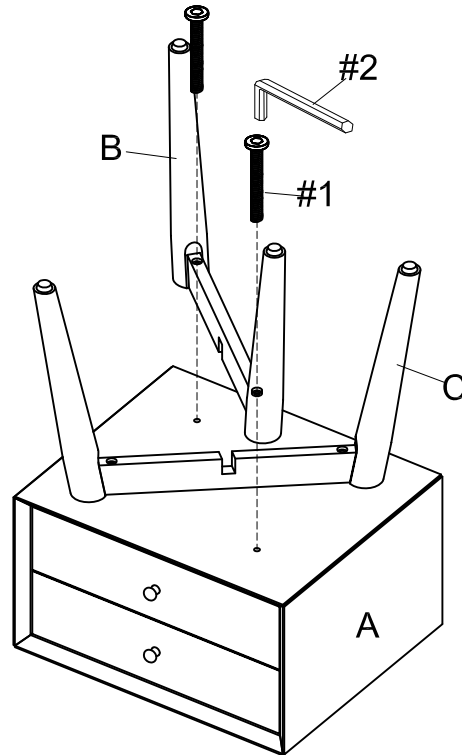
Step 1. Carefully turn top (part A) upside down on a soft flat surface, such as carpet, as shown below. Attach right leg (part C) to top (part A) using bolts (part #1) and allen wrench (part #2).

NOTE: Please do not fully tighten bolts until unit is fully assembled.



Step 2. Attach left leg (part B) to right leg (part C) and top (part A) using bolts (part #1) and allen wrench (part #2).

NOTE: Please fully tighten all bolts at this time.



Step 3. Carefully turn unit upright.

