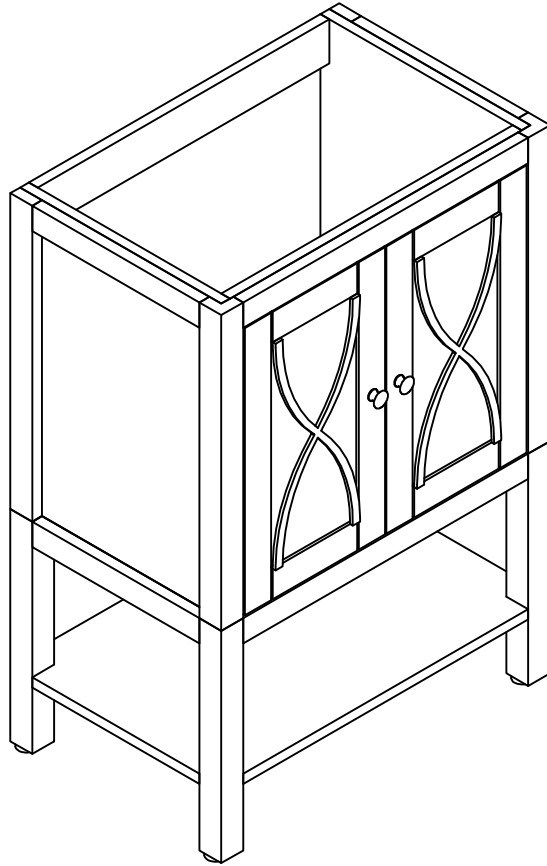


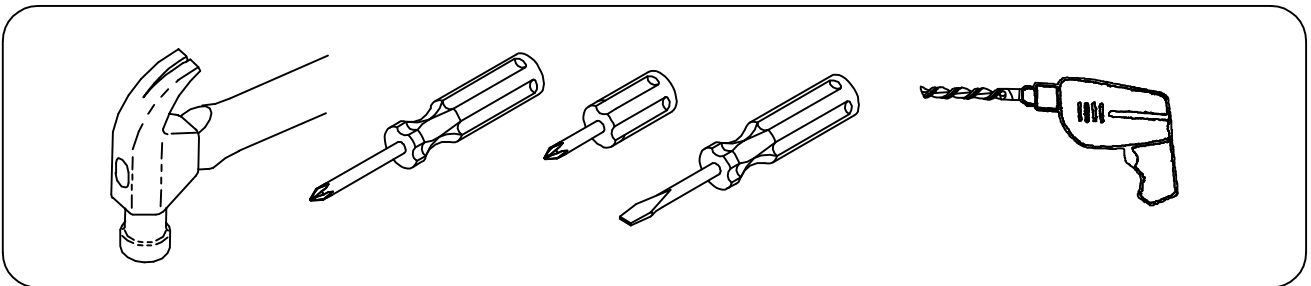


US 112

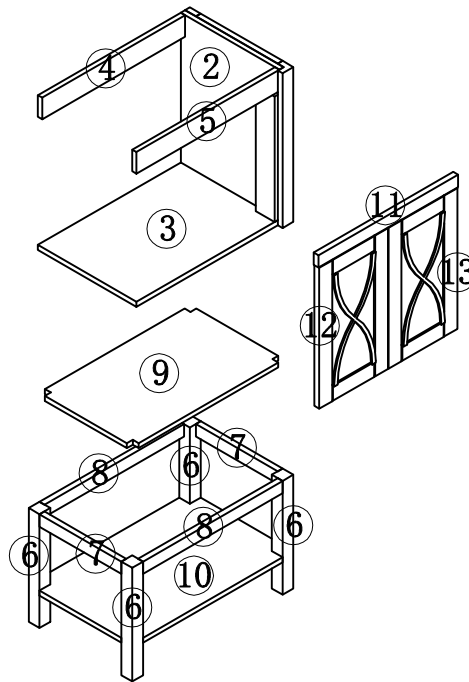



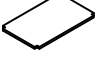

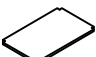
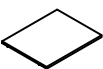
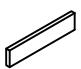
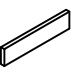

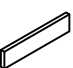



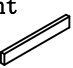






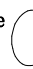





**YOU MAY NEED (NOT SUPPLY)**



# ASSEMBLY DIAGRAM



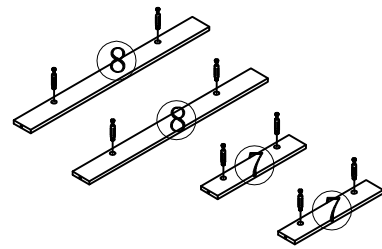
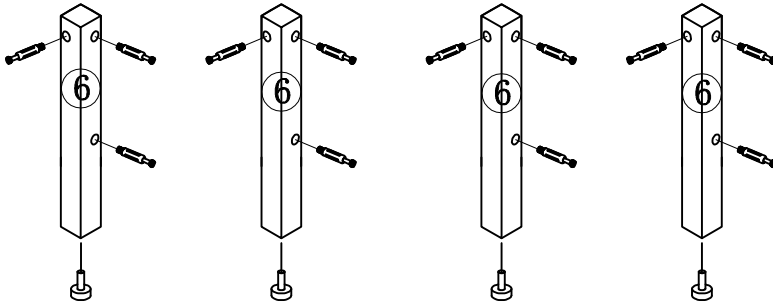
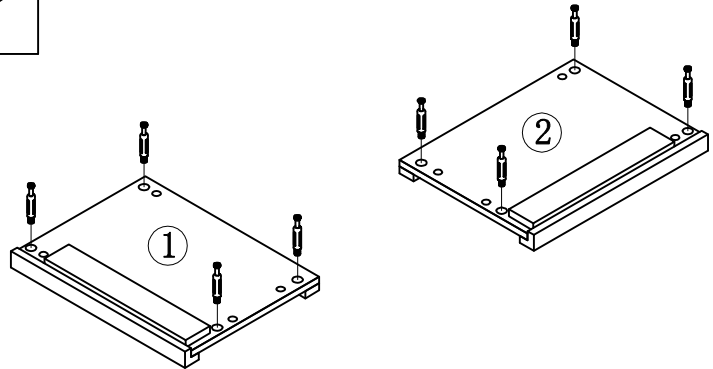
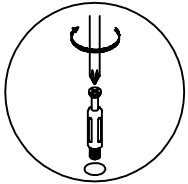
PARTS LIST					
PARTS LIST					
NO	DESCRIPTION	QTY	NO	DESCRIPTION	QTY
①	Left side panel 		⑨	Upper fixed plate 	1
②	Right side panel 		⑩	Lower fixed plate 	1
③	Bottom panel 		⑪	Front fixed panel 	1
④	Back fixed panel 		⑫	Left door panel 	1
⑤	Front fixed panel 		⑬	Right door panel 	1
⑥	Wooden feet 	4			
⑦	Foot left and right plates 	2			
⑧	Foot front and rear panels 	2			

PARTS LIST					
HARDWARE LIST					
NO	DESCRIPTION	QTY	NO	DESCRIPTION	QTY
A	Three-in-one eccentric wheel 	28	H	4*23mm screw 	2
B	Three-in-one connecting rod 	28	I	Door handle 	2
C	Three-in-one sticker 	28	J	Small adjustable foot 	4
D	8*40mm wood dowel pins 	8			
E	Door hinges 	4			
F	4*16mm screw 	24			
G	4*30mm screw 	9			
<p><b>CAUTION:</b> Please confirm the parts list before installation</p>					

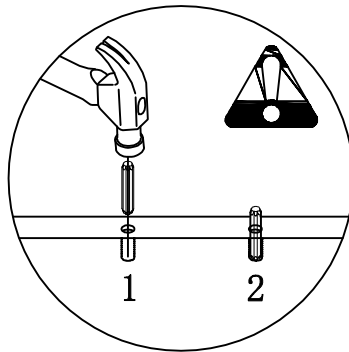
# STEP 1

HARDWARE LIST		
Three-in-one connecting rod B  28PCS	Small adjustable foot J  4PCS	

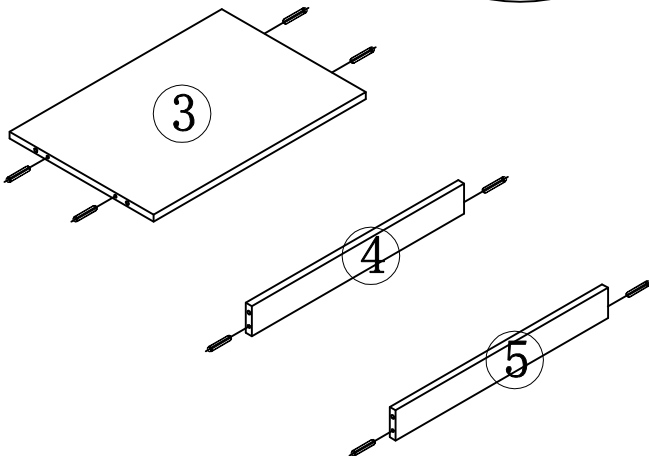
1. Put the three-in-one connecting rod in the 10mm hole of the following panels and tighten them with a cross screwdriver or an electric tool.





# STEP 2

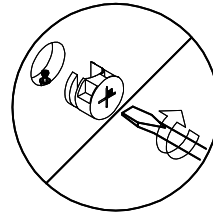
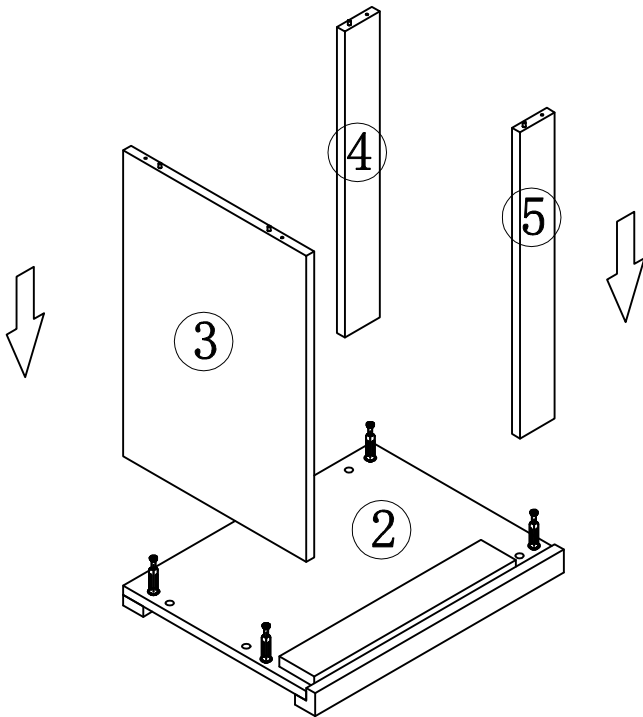


1. Strike the 08\*40mm wood dowel pin into the 8mm hole of the above panels with an iron hammer. Please note that the hole of the three-in-one connecting rod should also be 8mm. The hole of the three-in-one connecting rod connects to the hole of 15mm three-in-one eccentric wheel.

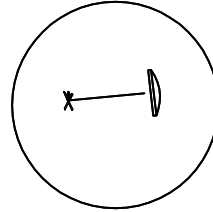


HARDWARE LIST	
8*40mm wood dowel pins D  8PCS	




# STEP 3



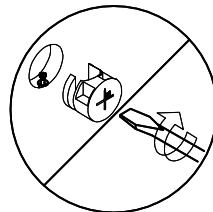
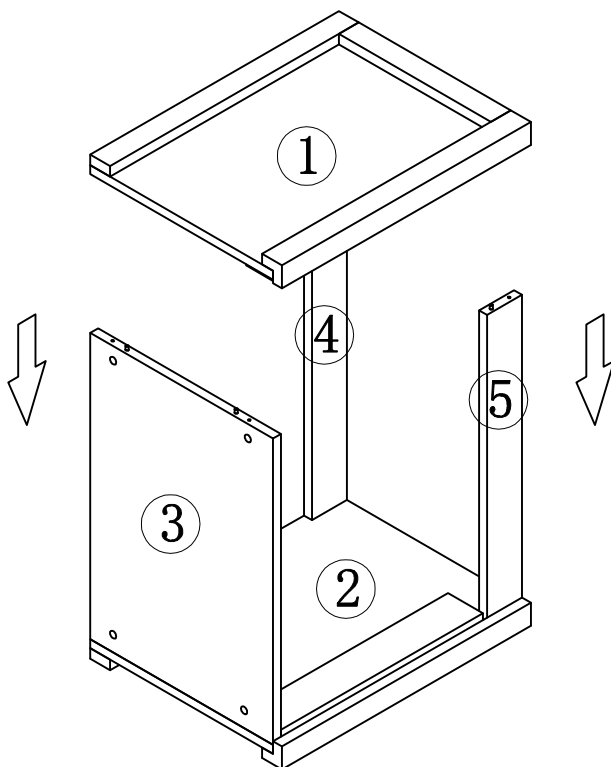
1. Connect No. 3-4-5 panel to No. 2 panel tightly with the three-in-one eccentric wheel.



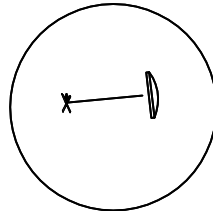
2. Cover the mounting hole of the eccentric wheel with a three-in-one sticker.

HARDWARE LIST		
Three-in-one eccentric wheel A  4PCS	Three-in-one sticker C  4PCS	


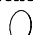

# STEP 4



1. Connect No. 1 panel to No. 3-4-5 panel tightly with the three-in-one eccentric wheel.

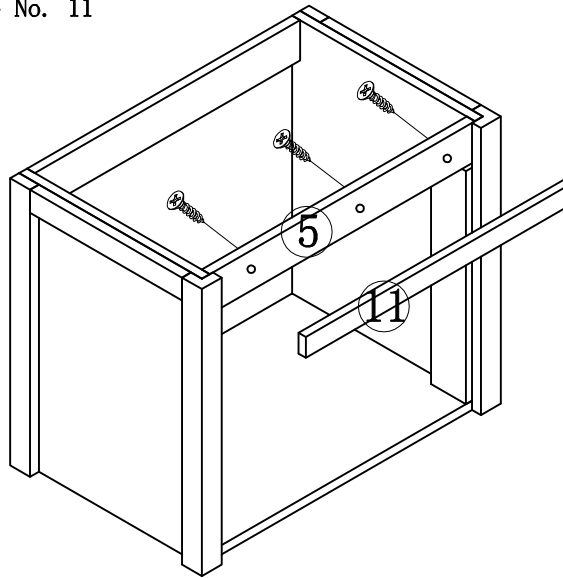


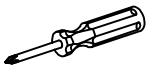

2. Cover the mounting hole of the eccentric wheel with a three-in-one sticker.

HARDWARE LIST		
Three-in-one eccentric wheel A  4PCS	Three-in-one sticker C  4PCS	

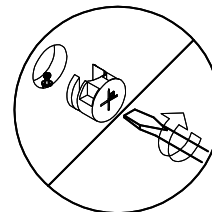
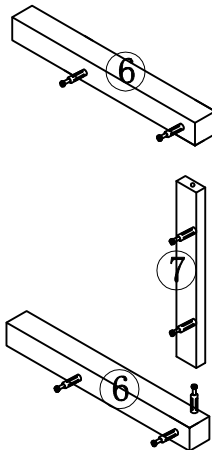
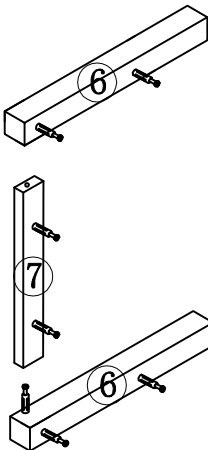
# STEP 5

Use 4\*30 screws to fix the No. 11 plate to the No. 5 plate

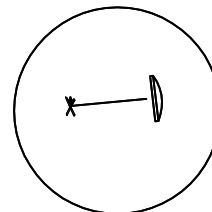


HARDWARE LIST	
4*30mm screw	
G  3PCS	

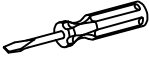

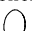
# STEP 6



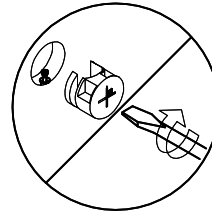
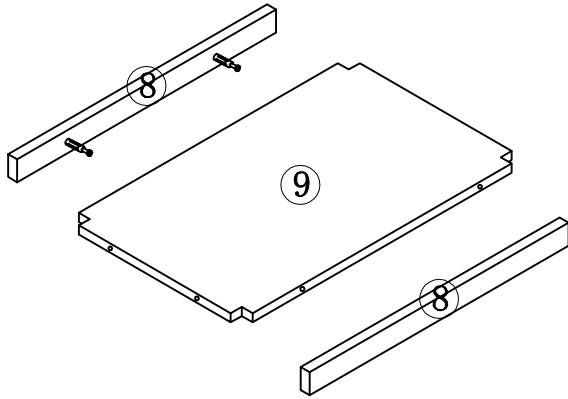
1. Connect No. 6 panel to No. 7 panel tightly with the three-in-one eccentric wheel.



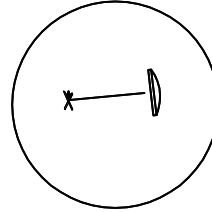
2. Cover the mounting hole of the eccentric wheel with a three-in-one sticker.

HARDWARE LIST		
Three-in-one eccentric wheel	Three-in-one sticker	
A  4PCS	C  4PCS	




# STEP 7



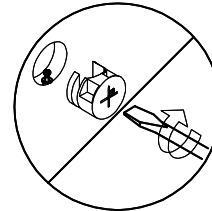
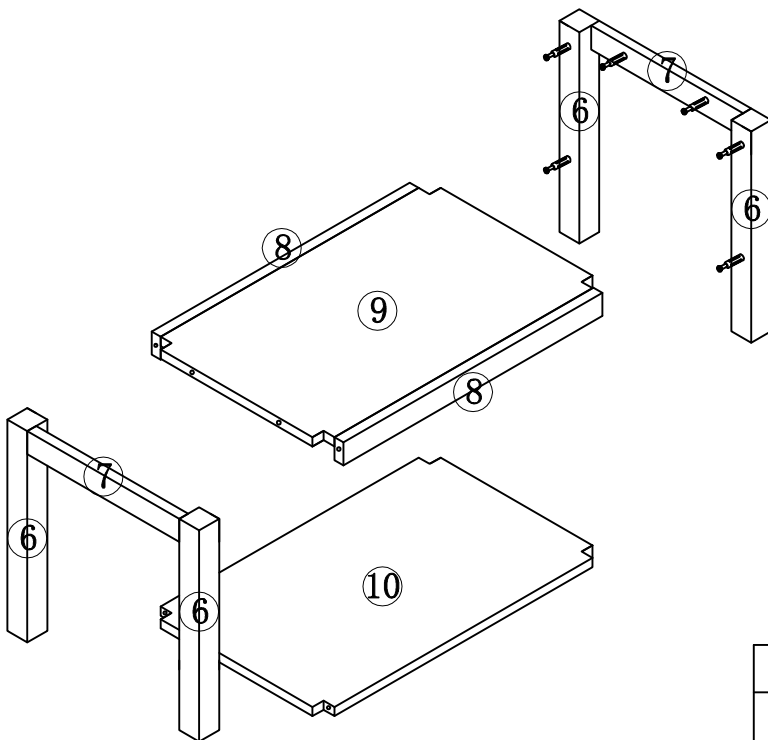
1. Connect No. 8 panel to No. 9 panel tightly with the three-in-one eccentric wheel.



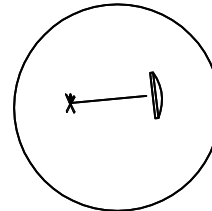
2. Cover the mounting hole of the eccentric wheel with a three-in-one sticker.

HARDWARE LIST		
Three-in-one eccentric wheel A  4PCS	Three-in-one sticker C  4PCS	


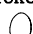

# STEP 8



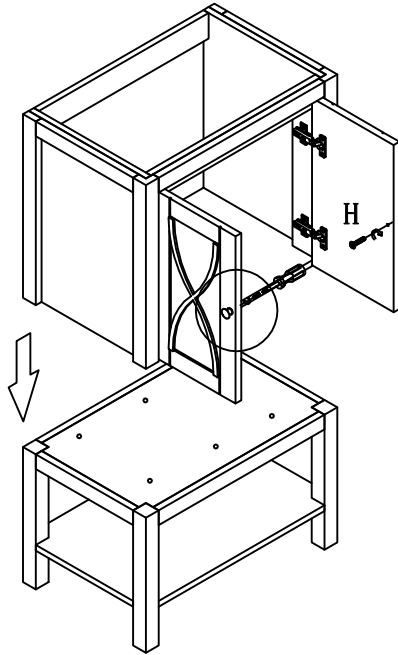
1. Connect No. 6-7 panel to No. 8-9-10 panel tightly with the three-in-one eccentric wheel.



2. Cover the mounting hole of the eccentric wheel with a three-in-one sticker.

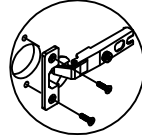
HARDWARE LIST		
Three-in-one eccentric wheel A  12PCS	Three-in-one sticker C  12PCS	

# STEP 9

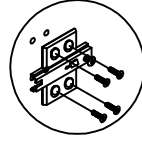


Install the door handle with 4\*23mm screws.

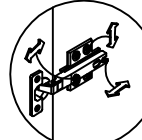
Use 4\*30 screws to secure the upper and lower parts



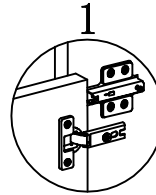
1. Install the hinge cup to the door panel with 4\*16mm screws.



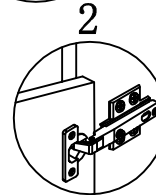
2. Install the hinge to the side panel with 4\*16mm screws.



4. Adjust the door panel clearance.








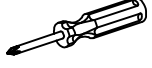
1



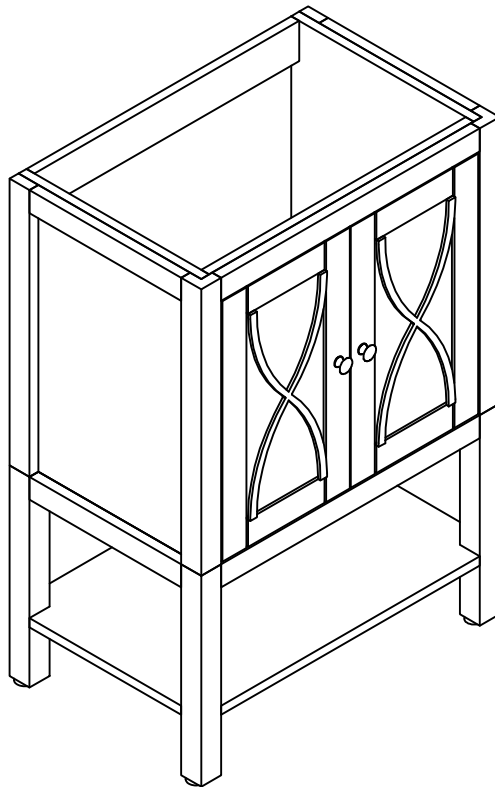
2

3. Install the hinge cup on the door panel to the hinge of the side panel.

## HARDWARE LIST

4*30mm screw G  6PCS	4*16mm screw F  24PCS	Door hinge E  4PCS	Door handle I  2PCS	4*23mm screw H  2PCS	
---	--	---	--	---	--

# STEP 10





**Choking hazard-Small Parts :** This unit contains small parts, not for children under 3 years.

**Tip-over hazard :** Secure finished unit to wall stud using L-Bracket and wall screw (#10\*1.5"W/out provided). If a wall stud is not neccessible , Consault your local hardware store for appropriate mounting hardware . Failure to properly install will result in product collapse or tip-over. Serious injury can occur .