

NOTICE

*Please make sure that you have all parts indicated and they are in good condition before you begin assembly of this item. Refer to part list and hardware list below for guidance.

*This item should be assembled on a soft surface to prevent scratching the finish during assembly.

*This item may require periodic tightening.

*If you are having difficulty, our friendly Customer Care team is always here to help.

PREPARATION

* Before beginning assembly of product, make sure all parts are present. Compare parts with part contents list and hardware contents list.

* If any part is missing or damaged, do not attempt to assemble the product.

* Estimated Assembly Time: 10 minutes.

* Tools Required for Assembly (included): Allen Key

CARE AND MAINTENANCE

OUTDOOR FURNITURE CARE

Store outdoor furniture indoors or cover well when not in use. Remove wooden furniture from standing water.

Dust regularly with small brush or vacuum.

Spills should be taken care of immediately before they harden or stain with a slightly dampened sponge.

UPHOLSTERY CARE

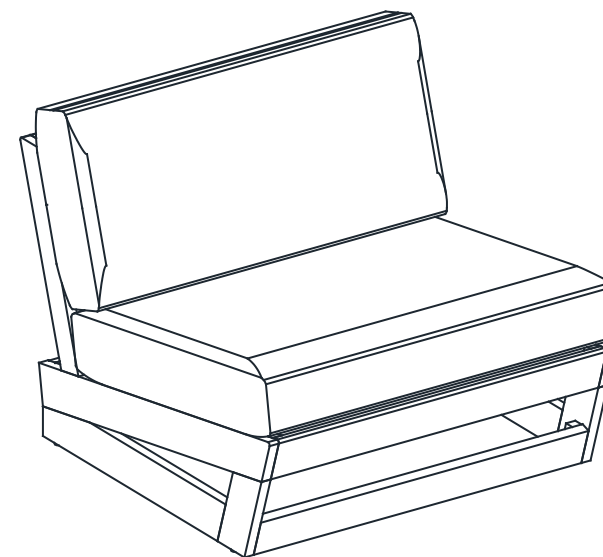
To prevent overall soiling, frequent vacuuming or light brushing is recommended. Cushions and pillows should be turned on a weekly basis.

Down-filled cushions should be brushed rather than vacuumed. Spot clean, using a mild water-free solvent or dry cleaning product. Only a professional cleaner should undertake a complete overall cleaning.

The use of steam or water-based cleaners may cause excessive shrinking or staining.

Owner Manual

Product Dimensions: 32.7" W x 34.4" D x 24.4" H

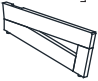
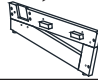







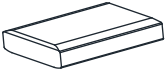
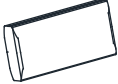




Weight Capacity : 200 lbs

Warning : Do not stand on bench

Warning : Do not over torque bolts / screws

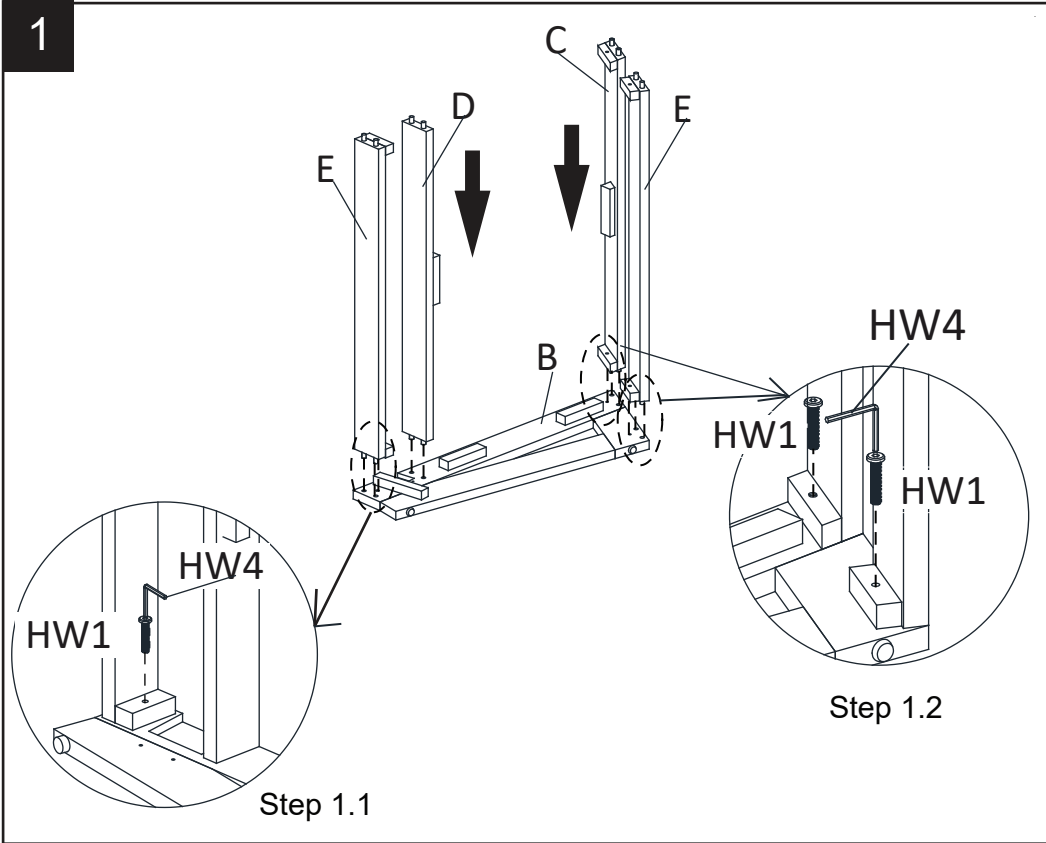
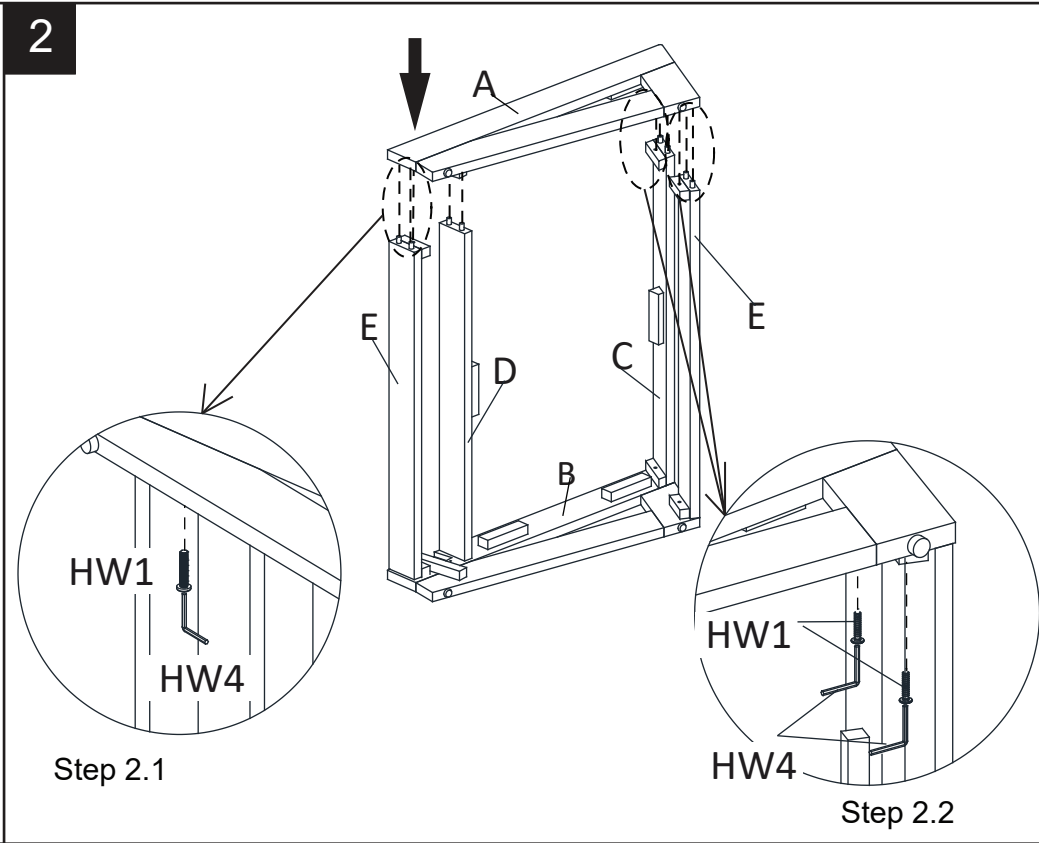
Part List and Hardware List

PIECE	DESCRIPTION	PICTURE	QUANTITY
A	Right Leg Panel		1X
B	Left Leg Panel		1X
C	Upper Front Support Bar		1X
D	Middle Support Bar		1X
E	Bottom Front & Back Support Bar		2X
F	Backrest Panel		1X
G	Seat Panel		1X

CSH1	Seat cushion		1X
CSH2	Back Cushion		1X
HW1	Allen Bolt: M6x0.5x35 mm	 M6x35	6X
HW2	Allen Bolt: M6x0.5x45 mm	 M6x45	4X
HW3	Screws M6x0.5x35 mm	 M6x35	4X
HW4	Allen key	 LG4	1X

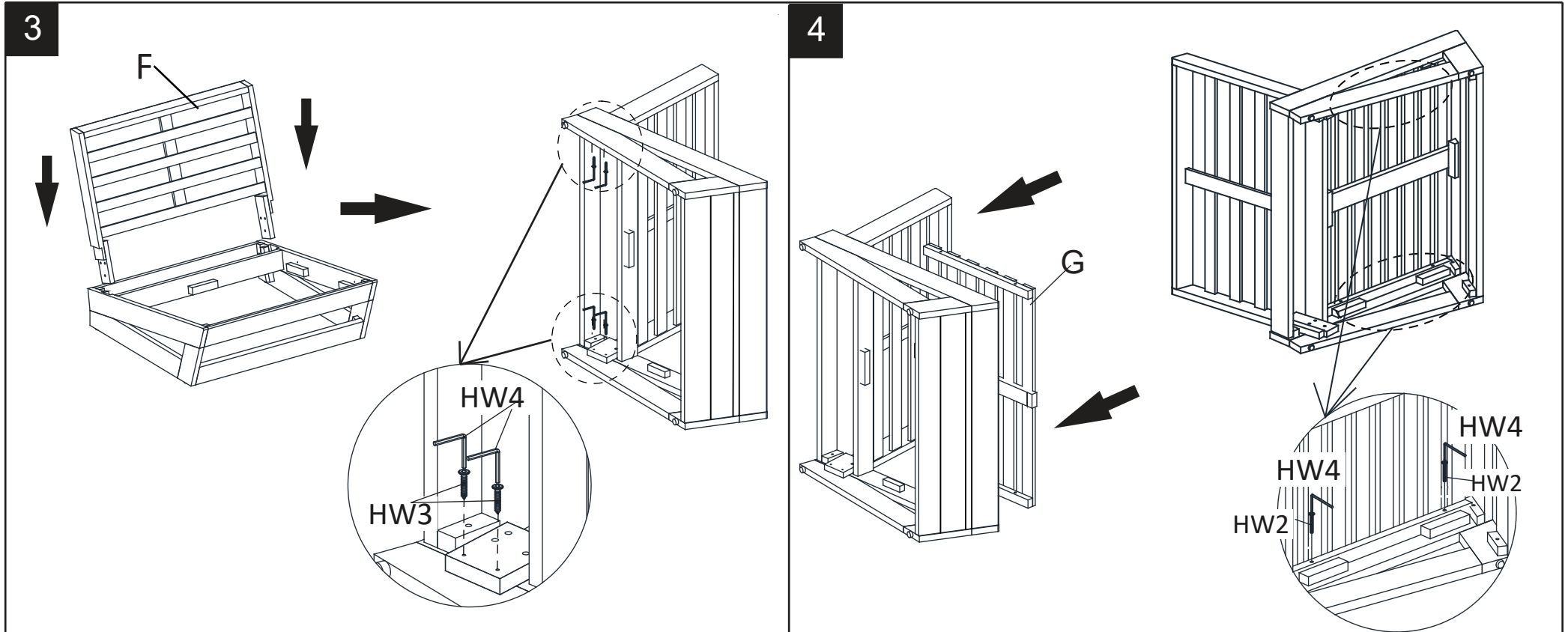
PREPARATION

- *Before beginning assembly of product, make sure all parts are present. Compare parts with package contents list and hardware contents list.
- *If any part is missing or damaged, do not attempt to assemble the product.
- * Estimated Assembly Time : 10 minutes.
- * Tools Required for Assembly (included): Allen Key
- * If you are having difficulty, our friendly Customer care team is always here to help.

<p>1</p>  <p>Step 1.1</p> <p>Step 1.2</p>	<p>2</p>  <p>Step 2.1</p> <p>Step 2.2</p>
<p>Step 1.1 Attach the Middle (D) & Back Support Bar (E) to the Left leg Panel (B) using Bolts(HW1) and the Allen key (HW4) as shown above.</p> <p>Step 1.2 Attach the Upper Front Support Bar (C), Bottom Front (E), to the Left leg Panel (B) using Bolts(HW1) and the Allen key (HW4) as shown above.</p>	<p>Step 2.1 Attach the Right leg Panel (A) to the Middle (D) & Back Support Bar (E) using Bolts(HW1), the Allen key (HW4) as shown above.</p> <p>Step 2.2 Attach the Right leg Panel (A) to the Upper Front Support Bar (C), Bottom Front (E) using Bolts(HW1), the Allen key (HW4) as shown above.</p>

PREPARATION

- *Before beginning assembly of product, make sure all parts are present. Compare parts with package contents list and hardware contents list.
- *If any part is missing or damaged, do not attempt to assemble the product.
- * Estimated Assembly Time : 10 minutes.
- * Tools Required for Assembly (included): Allen Key
- * If you are having difficulty, our friendly Customer care team is always here to help.



Step 3

Attach the Backrest (F) to Right leg panel(A) and Left leg Panel (B) using Screws (HW3) and the Allen key (HW4) as shown above.

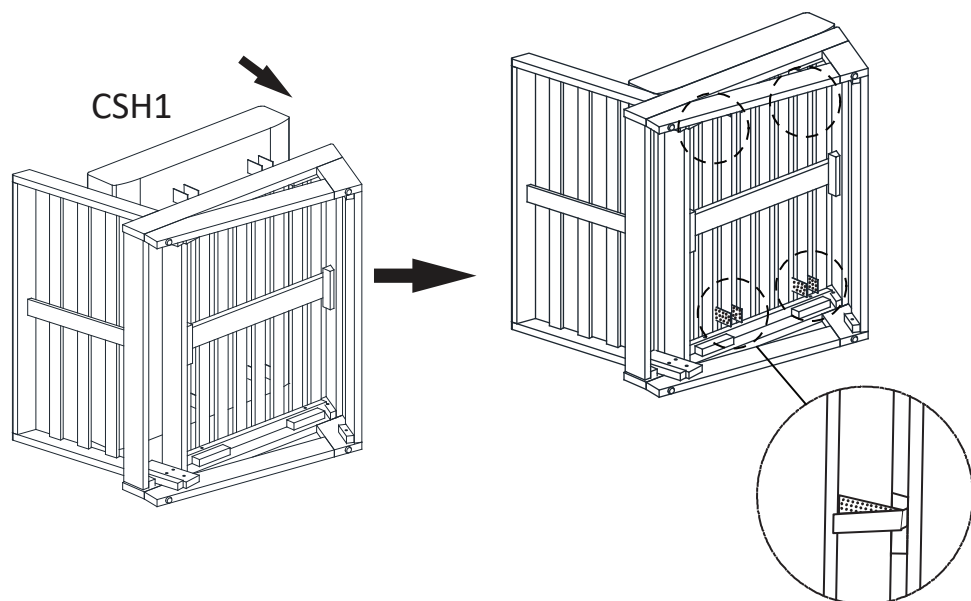
Step 4

Attach the Seat Panel (G) into the Chair as shown in picture above. Affix the Seat Panel (G) to the Chair using Bolt (HW2) and the Allen (HW4).

PREPARATION

- *Before beginning assembly of product, make sure all parts are present. Compare parts with package contents list and hardware contents list.
- *If any part is missing or damaged, do not attempt to assemble the product.
- * Estimated Assembly Time : 10 minutes.
- * Tools Required for Assembly (included): Allen Key
- * If you are having difficulty, our friendly Customer care team is always here to help.

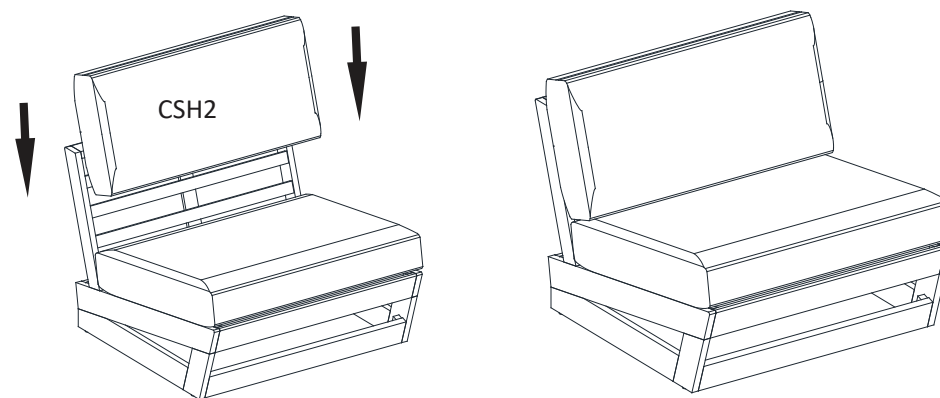
5



Step 5

Place the Seat Cushion (CSH1) onto The Bench as shown above.

6



Step 6

Place the Back Cushions (CSH2) onto The Bench as shown above.