

TRADITIONAL FLOOD LIGHT

SPEC SHEET



Catalog No. : TRAD100-PC-4K-BZ

Type : FLOOD LIGHT

Project Name :

Location :

Qty :

Date :



Suitable for Wet Locations



Product Features

PROBRITE'S LED high output traditional floodlight provides the highest level of perimeter security lighting. This fixture is incredibly versatile, dual-control enabled, and includes a dimming feature.

Applications

It's bright 10,000 lumens is perfect for illuminating landscaping, signs and perimeter security.

PRODUCT PERFORMANCE AT A GLANCE

SYSTEM WATTAGE	LED WATTAGE	LUMENS	LPW	CRI	REPLACES (MH)
101W	91W	9985 lm	105 lm/w	≥80	250W

HOUSING

Precision die-cast housing and stainless steel hardware

OPTICS

Tempered glass lens makes for maximum output and creates the perfect light distribution

FINISH

Commercial grade powder coat finish

IP RATING & LISTINGS

LED light engine is weather proof rated IP65.

DLC 4.3, cULus

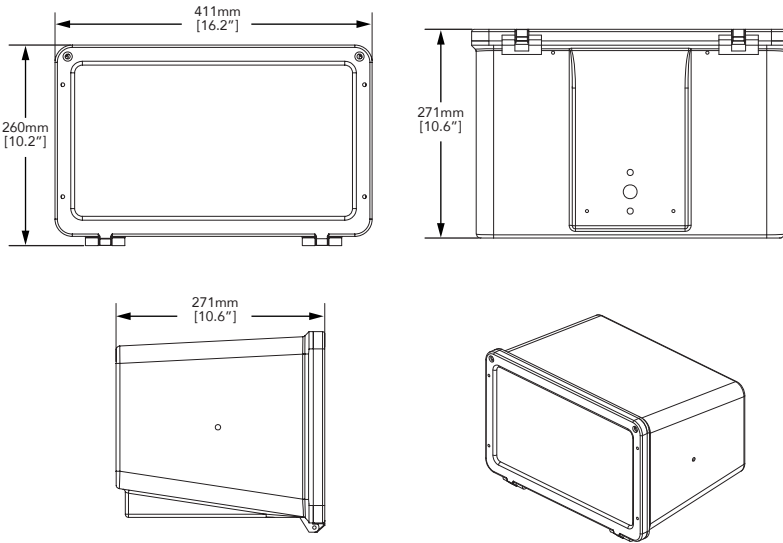
MOUNTING

For slip fitter mounting place over 2 3/8" tennon for poles and wall tennon adaptors. Aiming adjustments can be made by loosening slip fitter bolt aiming then retighening. For U-bracket mount, mount with 2 5/16" screws (provided) to desired surface and aim.

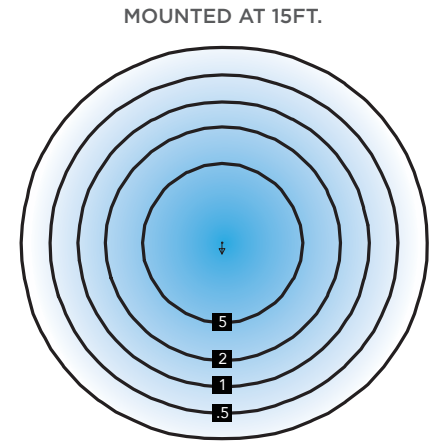
WARRANTY

Fixture is covered by a 5-year limited warranty. See probrite.com/warranty for details.

PRODUCT LINE DRAWING



2D PHOTOMETRIC VIEW



APPLICATION



PRODUCT SPECIFICATIONS

Product Dimensions	: 16.2" x 10.2" x 10.6"
Weight	: 9.92
Lumens	: 10475
System Wattage	: 101W
LED Wattage	: 91W
Efficacy	: 105
CRI	: 80
Replaces (MH)	: 250W
Mounting	: Wall mount
Frequency	: 50-60Hz
THD(Total Harmonic Distortion)	: <20%
PF(Power Factor)	: >0.9
Ambient Operating Temperature	: (-30) - 40°C
Input Voltage	: 120-277V
LED Chip	: LUXEON 3030 2D
Photocell	: Yes
Driver	: 0-10V Dimming
Standard Lifetime	: L70 >50,000hrs
Standard Warranty	: 5 Years
Water Proofing Grade	: IP66
CCT	: 4000K
Certifications	: DLC, UL/cUL

