

Instructions

⚠ WARNING

- Turn off electricity at circuit breaker or main fuse box before installation.
- Do not touch the bulb with bare hands.
- Always switch off the electricity supply and allow bulbs to cool for 10 minutes before changing it.
- Do not look directly at lit bulb.

ASSEMBLY

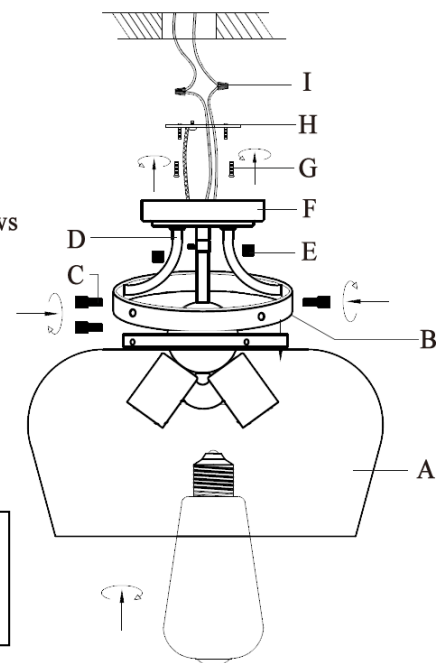
It is recommended to use two or more persons during the assembly process.

1. Align the holes and put connecting ring (B) on glass shade (A). Install them to connecting rods (D) using screws (C).
2. Install mounting bracket (H) to the junction box (not included) using junction box screws (G).
3. Make electrical connections using wire nuts(I)
4. Install canopy (F) to junction box screws (G) using screws (E).
5. Install light bulbs (not included).

Bulb Type & Wattage: 3 x E26 Socket 60W (Max) for Incandescent Light Bulb (not included). Light bulb recommended: Use **THREE (3) E26 light bulbs up to 60 watts or LED equivalent light bulbs** (not included). For energy efficiency, LED style bulb is recommended.

6. Restore Electrical power when complete.

- A. Glass Shade
- B. Connecting Ring
- C. Screws
- D. Connecting Rods
- E. Screws
- F. Canopy
- G. Junction Box Screws
- H. Mounting Bracket
- I. Wire Nuts



3 x E26 Socket
Max.60W Bulbs
(not included)

⚠ CAUTION! IMPORTANT SAFETY INSTRUCTIONS:

Connect the cord with the ribbed surface to the white wire of the supply circuit. Connect the half with the markings and smooth surface to the black wire of the supply circuit.

Connect the bare copper grounding wire from the fixture to the green screw on the mounting bracket and the grounding conductor of the supply circuit. Use U.L./CSA Listed wire connectors suitable for the size, type and number of conductors. No loose strands or loose connections should be present.

CONTACT US

Thank you for your purchase! If you have any questions or concerns, don't hesitate to contact us. We'll resolve your problem ASAP! Customers are always the best teachers to keep us growing!