

WARRANTY

WHAT IS COVERED

We warrant the product to be free from defects in material or workmanship for a period of one year from the date of original retail purchase. The word "defects" is defined as imperfections that impair the use of the product. Defects resulting from misuse, abuse or customer negligence will void this warranty.

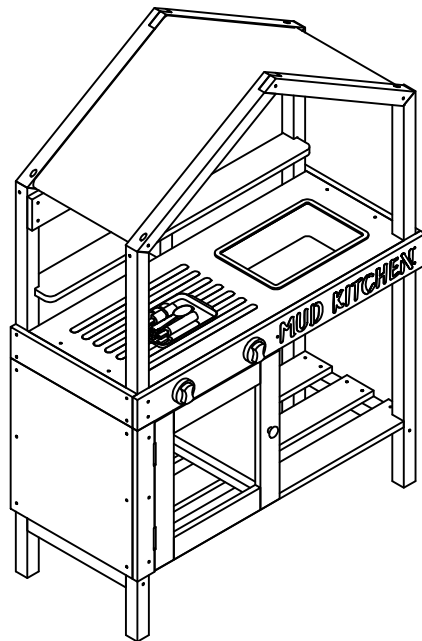
WHAT IS NOT COVERED

This warranty does not cover commercial use, hardware, acts of nature, fire, freezing and abusive use. This warranty does not cover defects due to alteration or accidents. This warranty does not cover scratches, scuffs or other cosmetic damages that may result from normal use of the product.

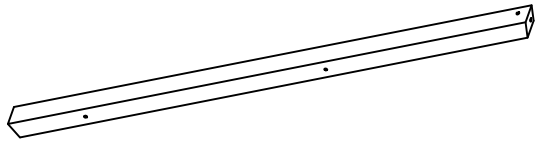
CARE INSTRUCTIONS

Thank you for choosing turtleplay[™] KID'S MUD KITCHEN. With a little care and maintainance, the turtleplay[™] KID'S MUD KITCHEN will provide you with comfort and enjoyment for many years to come!

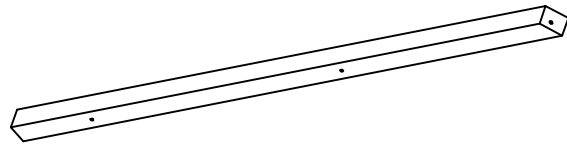
- Secure and cover the turtleplay[™] KID'S MUD KITCHEN during harsh weather to keep from getting damaged.
- To clean panels, use clean water on a damp cloth. DO NOT pressure wash, this will damage the finish.
- When assembling turtleplay[™] KID'S MUD KITCHEN please handle all panels and/or hardware with care to avoid any possibilities of damage and/or injury.
- It is highly recommended that you treat the turtleplay[™] KID'S MUD KITCHEN with a weatherproof coating of (stain or paint) once a year, to increase life expectancy and maintain the look.
- Adult assembly required.



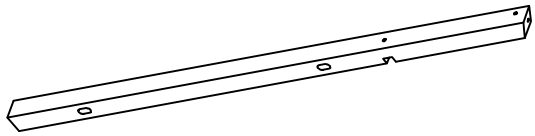
NOTE: Please read all instructions carefully before starting assembly. Also, we recommend that the unit is fully assembled on a level surface. Two people are recommended to assemble this product. DO NOT over torque screws and bolts.



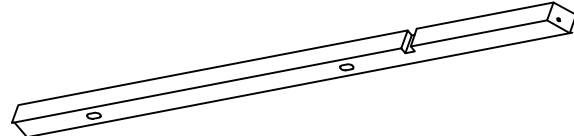
1 FRONT LEFT LEG X 1PC



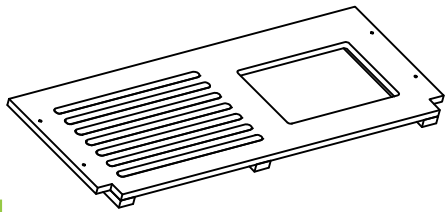
2 FRONT RIGHT LEG X 1PC



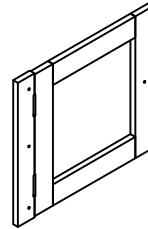
3 REAR LEFT LEG X 1PC



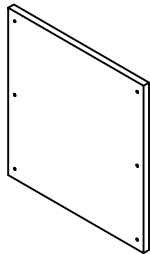
4 REAR RIGHT LEG X 1PC



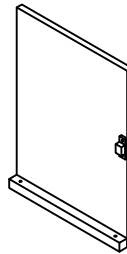
5 TABLETOP X 1PC



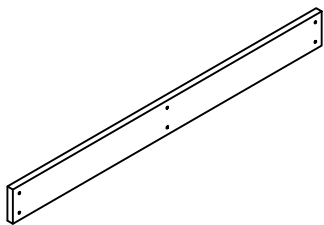
6 CUPBOARD DOOR X 1PC



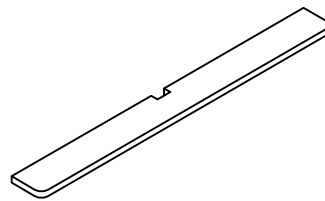
7 CUPBOARD LEFT SIDE X 1PC



8 CUPBOARD RIGHT SIDE X 1PCS

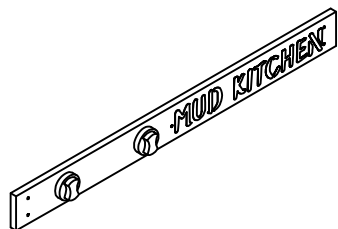


9 CROSSBAR X 1PC

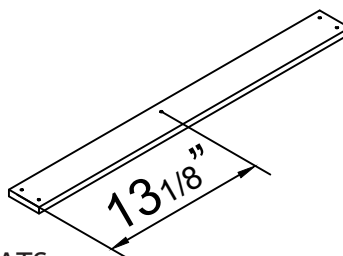


10 SHELF X 1PCS

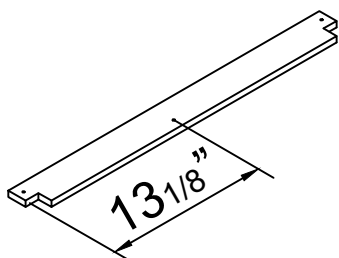
NOTE: Please read all instructions carefully before starting assembly. Also, we recommend that the unit is fully assembled on a level surface. Two people are recommended to assemble this product. DO NOT over torque screws and bolts.



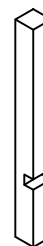
11 FRONT PANEL X 1PC



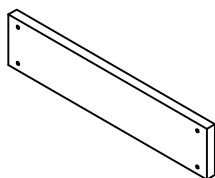
12 SLATS X 2PCS



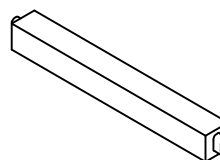
13 SLAT WITH NOTCH X 1PC



14 CENTER POST X 1PCS



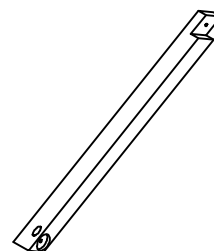
15 SIDE PANELS X 2PCS



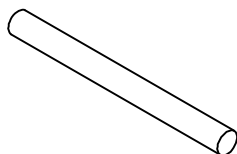
16 LEG BARS X 4PCS



17 RAFTER 1 X 2PC

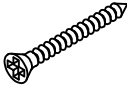


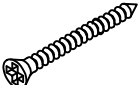
18 RAFTER 2 X 2PCS

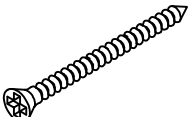


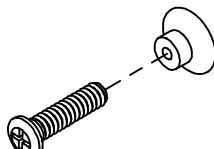
19 DOWELS X 3PC

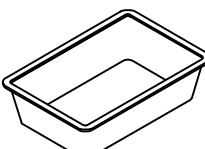
NOTE: Please read all instructions carefully before starting assembly. Also, we recommend that the unit is fully assembled on a level surface. Two people are recommended to assemble this product. DO NOT over torque screws and bolts.

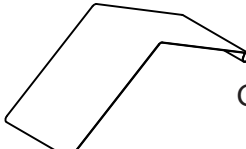
A  SCREW 3X30 44PCS

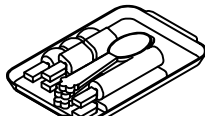
B  SCREW 3X35 3PCS

C  SCREW 3.5X50 22PCS

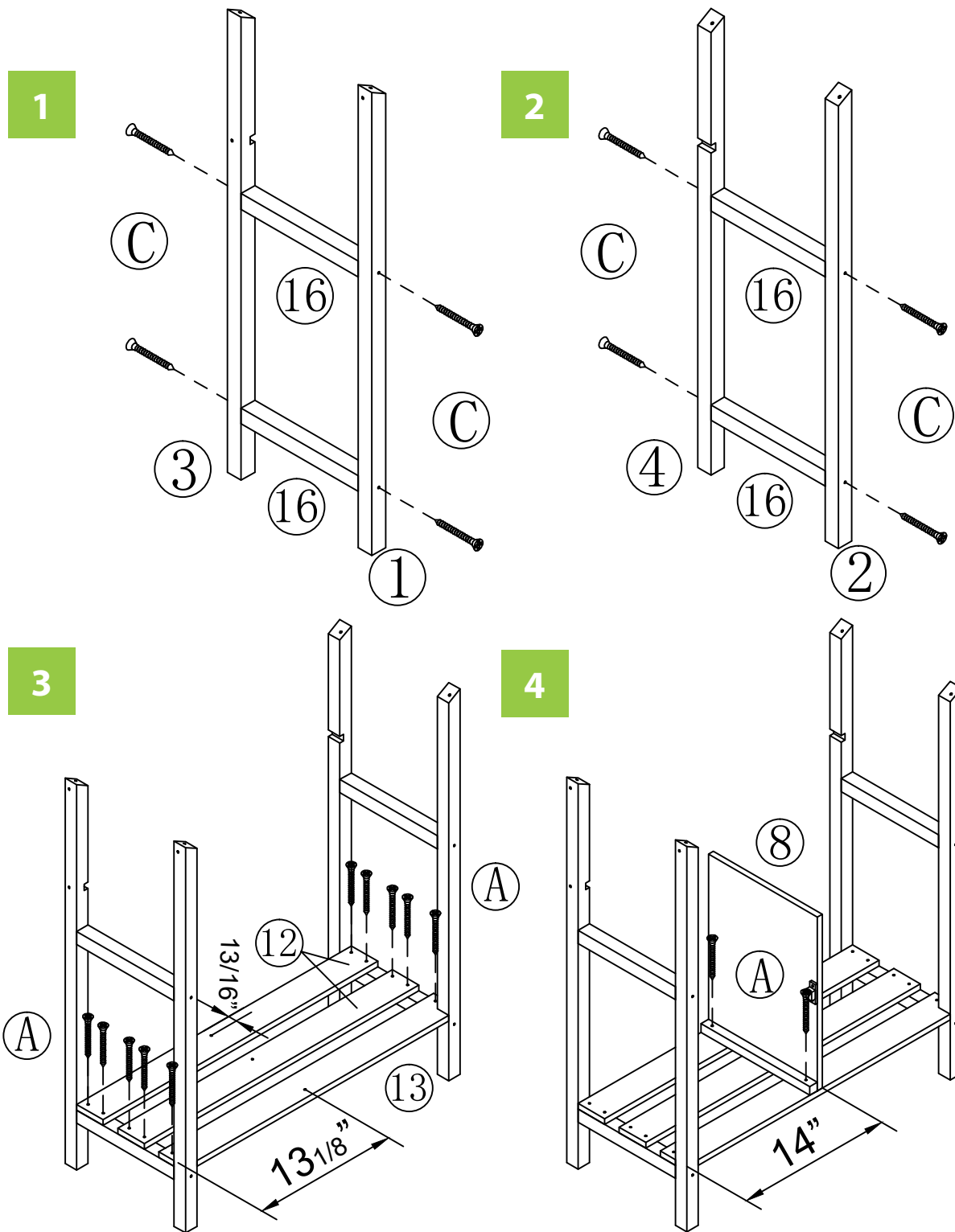
D  SCREW 4X20 & KNOB 1PC

E  SINK TUB 1PC

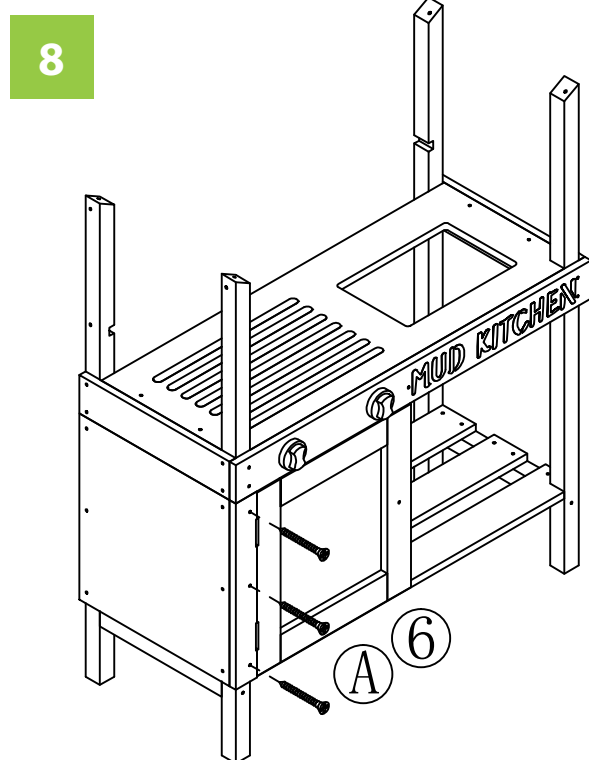
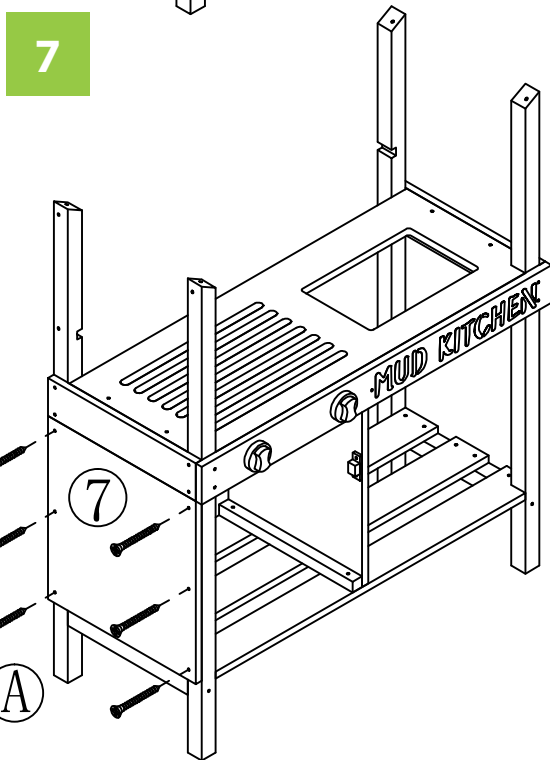
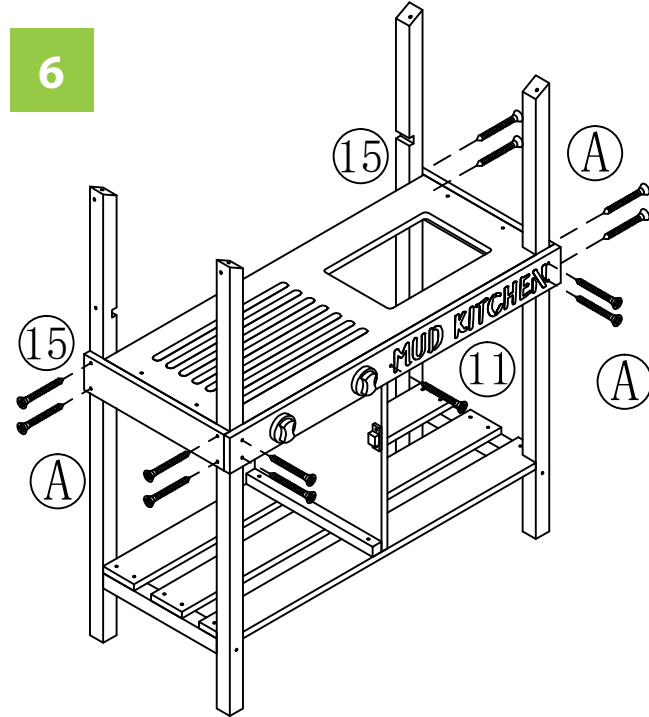
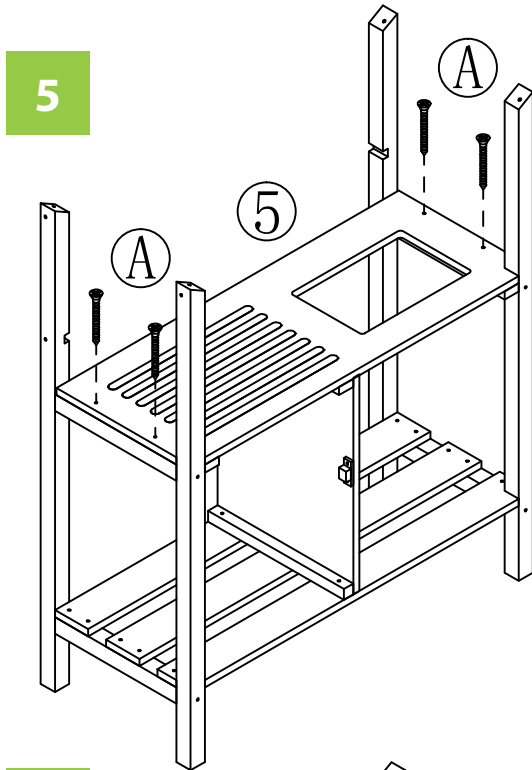
F  CANOPY 1PC

G  TRAY AND PLASTIC FOOD 1PC

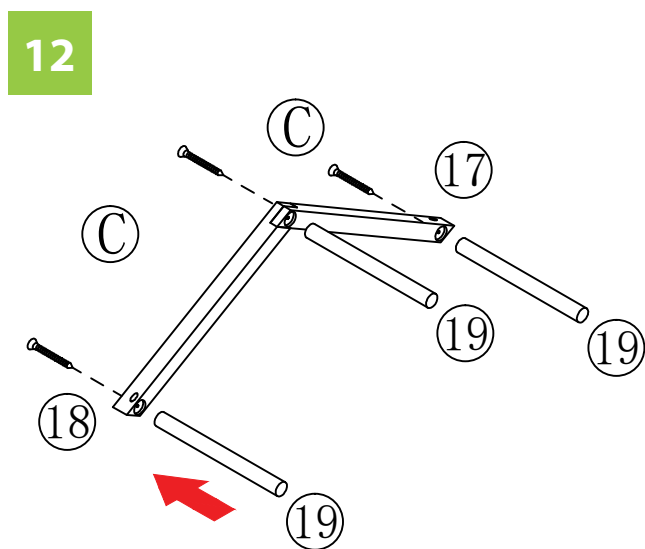
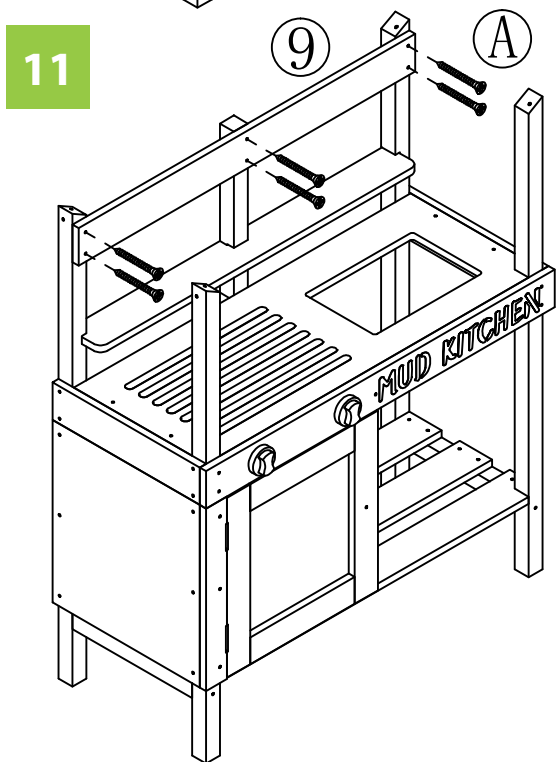
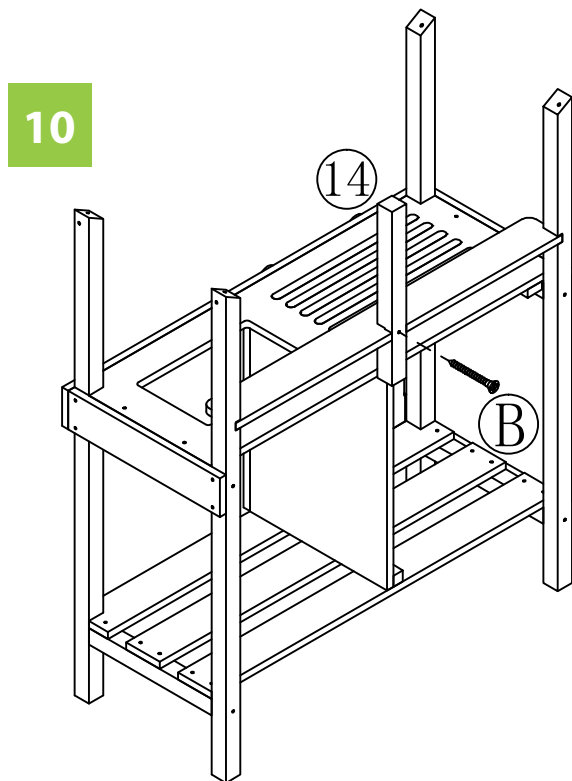
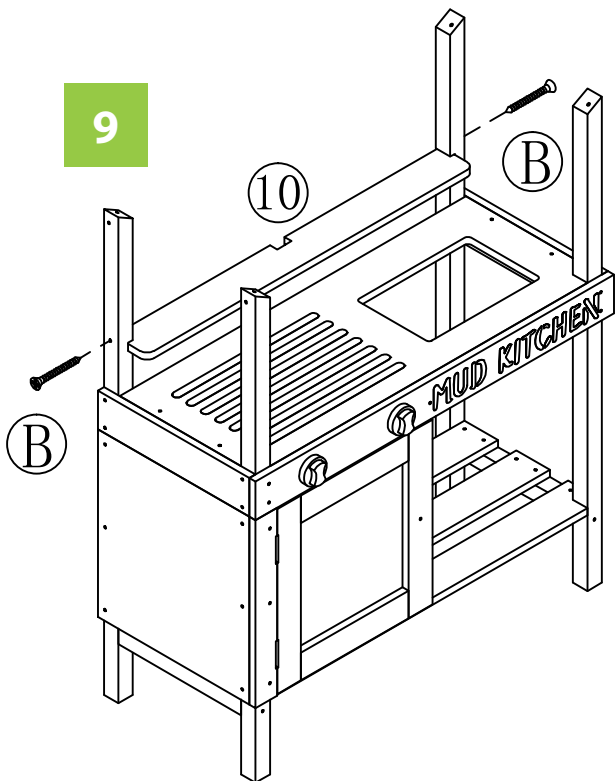
NOTE: Please read all instructions carefully before starting assembly.
 Also, we recommend that the unit is fully assembled on a level surface.
 Two people are recommended to assemble this product.
 DO NOT over torque screws and bolts.



NOTE: Please read all instructions carefully before starting assembly. Also, we recommend that the unit is fully assembled on a level surface. Two people are recommended to assemble this product. DO NOT over torque screws and bolts.

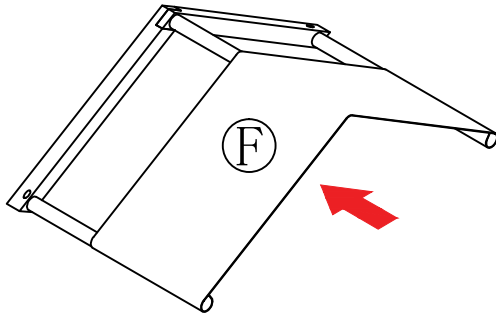


NOTE: Please read all instructions carefully before starting assembly. Also, we recommend that the unit is fully assembled on a level surface. Two people are recommended to assemble this product. DO NOT over torque screws and bolts.

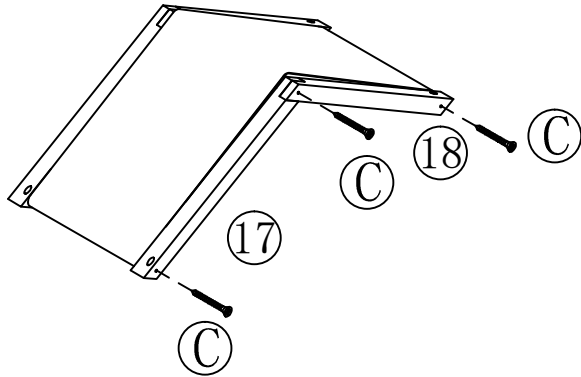


NOTE: Please read all instructions carefully before starting assembly. Also, we recommend that the unit is fully assembled on a level surface. Two people are recommended to assemble this product. DO NOT over torque screws and bolts.

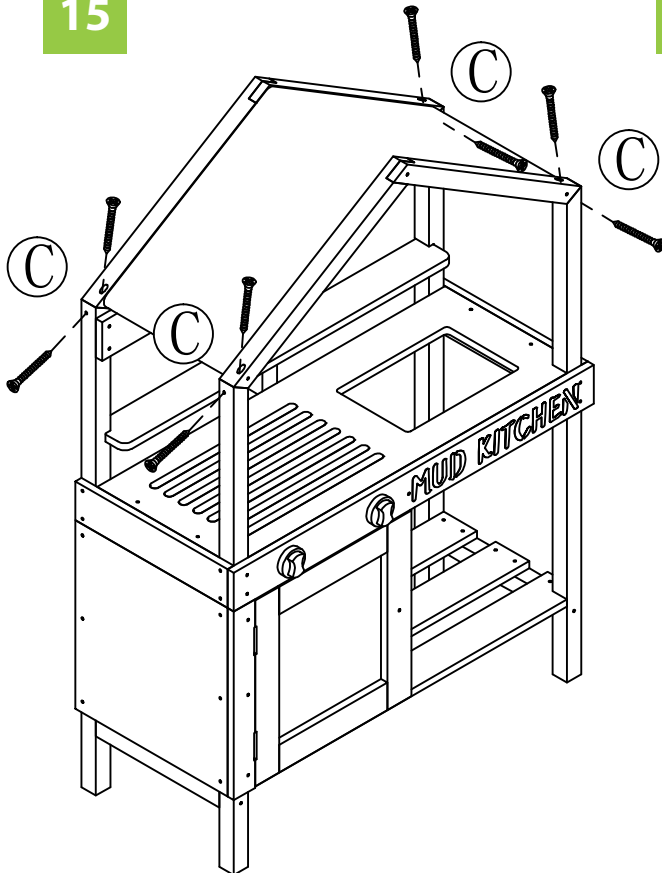
13



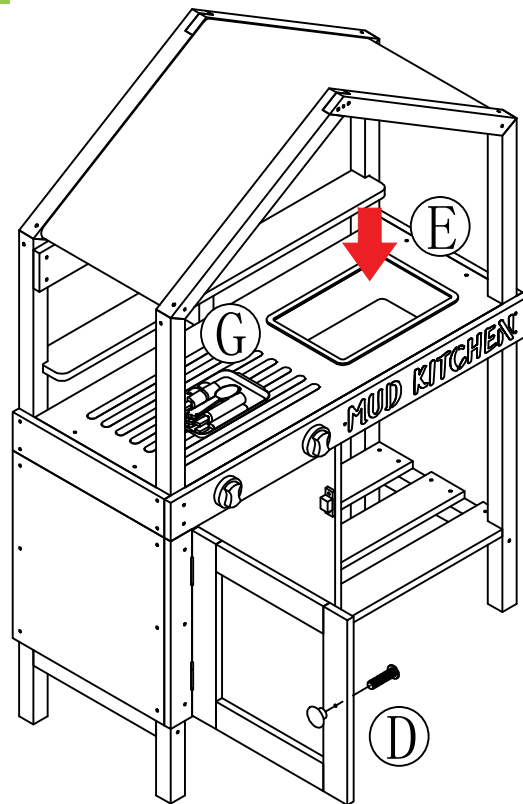
14



15



16



NOTE: Please read all instructions carefully before starting assembly.
 Also, we recommend that the unit is fully assembled on a level surface.
 Two people are recommended to assemble this product.
 DO NOT over torque screws and bolts.

Please check contents before assembly. If any items are missing or damaged, do not take the unit back to the store. Call (775) 629-5029 or email: service@merryproducts.com for customer service and we will save you time by correcting any problems directly for you.

NOTE: Please read all instructions carefully before starting assembly. Also, we recommend that the unit is fully assembled on a level surface. Two people are recommended to assemble this product. DO NOT over torque screws and bolts.