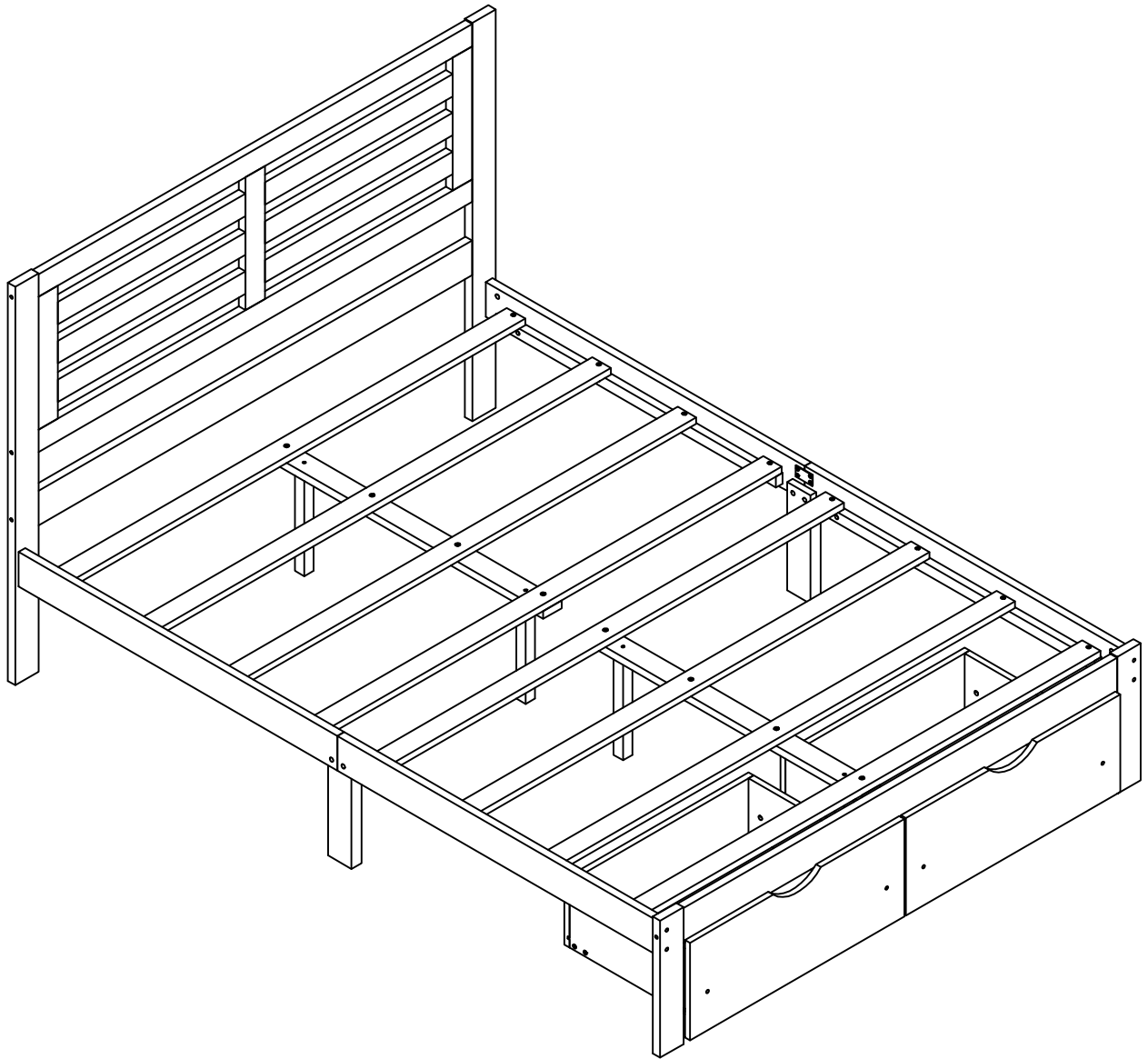


ASSEMBLY INSTRUCTIONS

FULL BED WITH DRAWER



PLEASE DO NOT RETURN PRODUCT TO THE STORE.

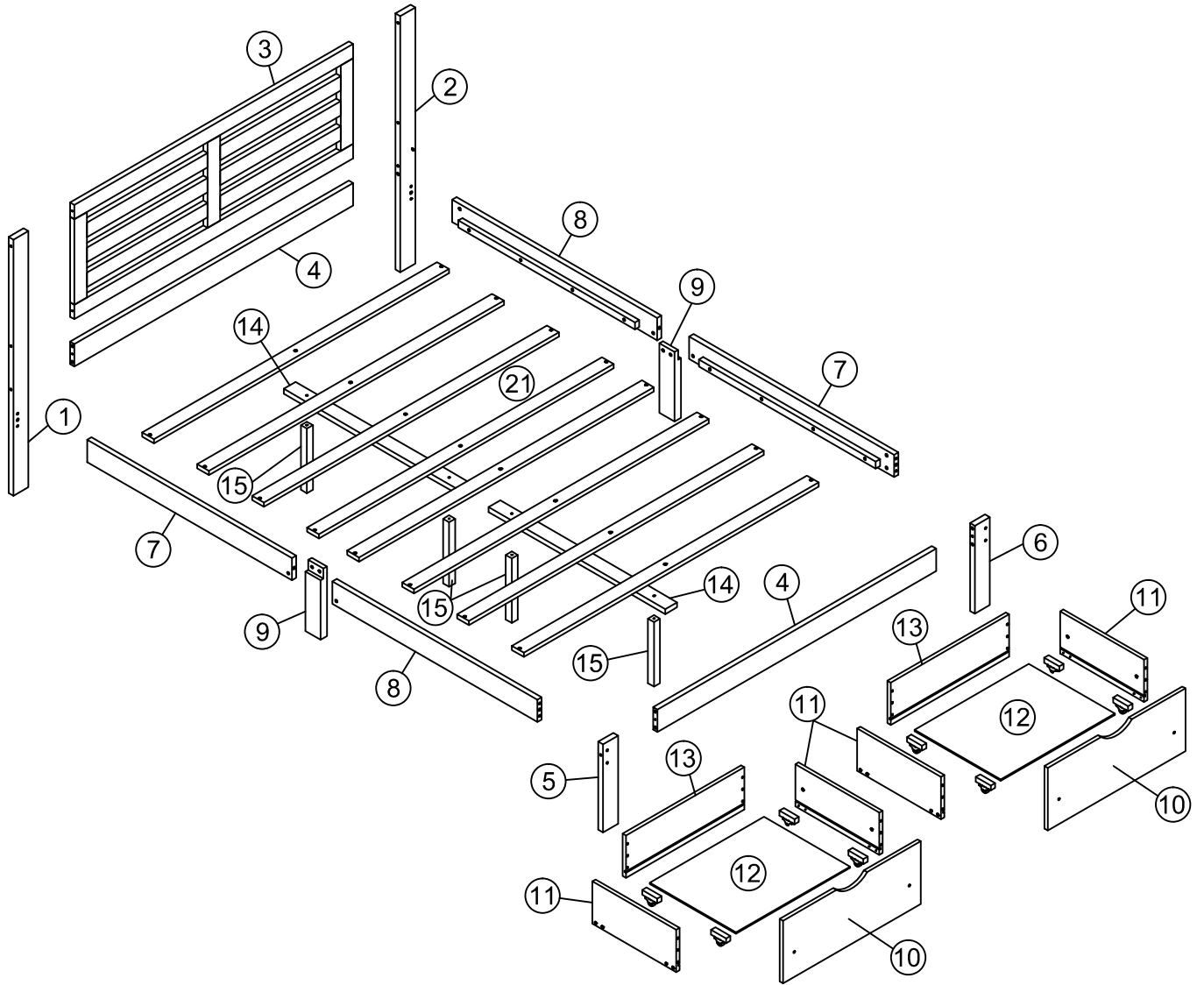
If you have any problem or concerns, please feel free to contact our customer service department. We will reply you as soon as possible.

E-Mail: wmcsr@comptree.net

Tel: 626-912-8886 Ext.100

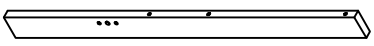
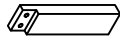
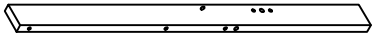


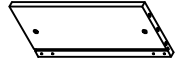
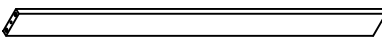

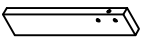

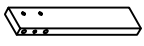
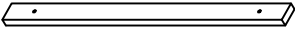
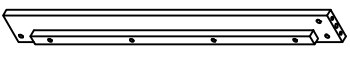
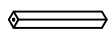

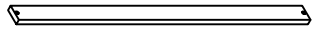
WF198181

ASSEMBLY INSTRUCTIONS






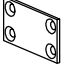



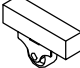
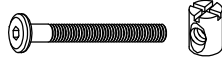

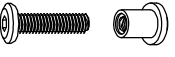


ASSEMBLY INSTRUCTIONS

PARTS LIST WF198181

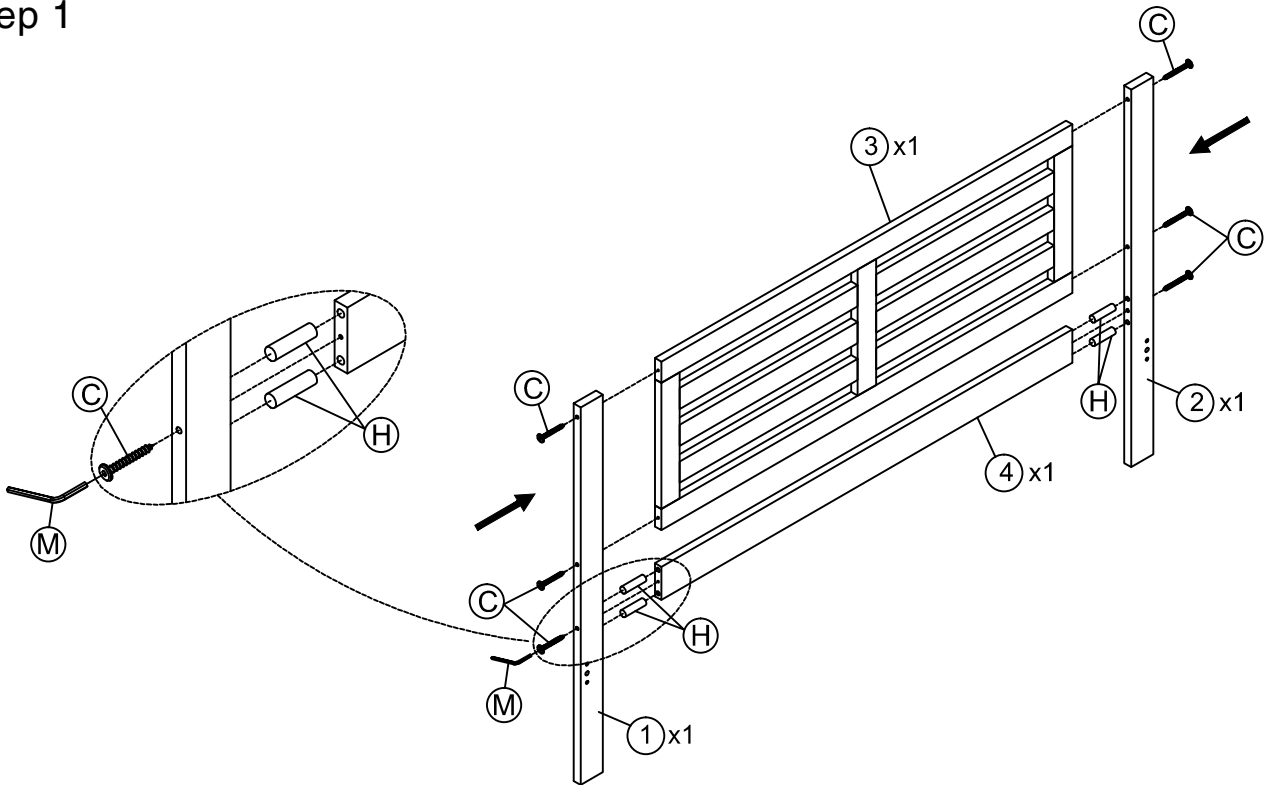
1		1pc	9		2pcs
2		1pc	10		2pcs
3		1pc	11		4pcs
4		2pcs	12		2pcs
5		1pc	13		2pcs
6		1pc	14		2pcs
7		2pcs	15		4pcs
8		2pcs	21		8pcs




HARDWARE LIST WF198181

A	Ø4x30		40PCS	H	Ø10x40		14PCS
B	Ø4x15		8PCS	I	Ø8x30		16PCS
C	6.5x110		8PCS	J	50x28x2		2PCS
D	6.5x50		4PCS	K	1/4x25		6PCS
E	1/4x70		8PCS	L			8PCS
F	1/4x60		8PCS	M	4x58		1PC
G	1/4x30		4PCS				

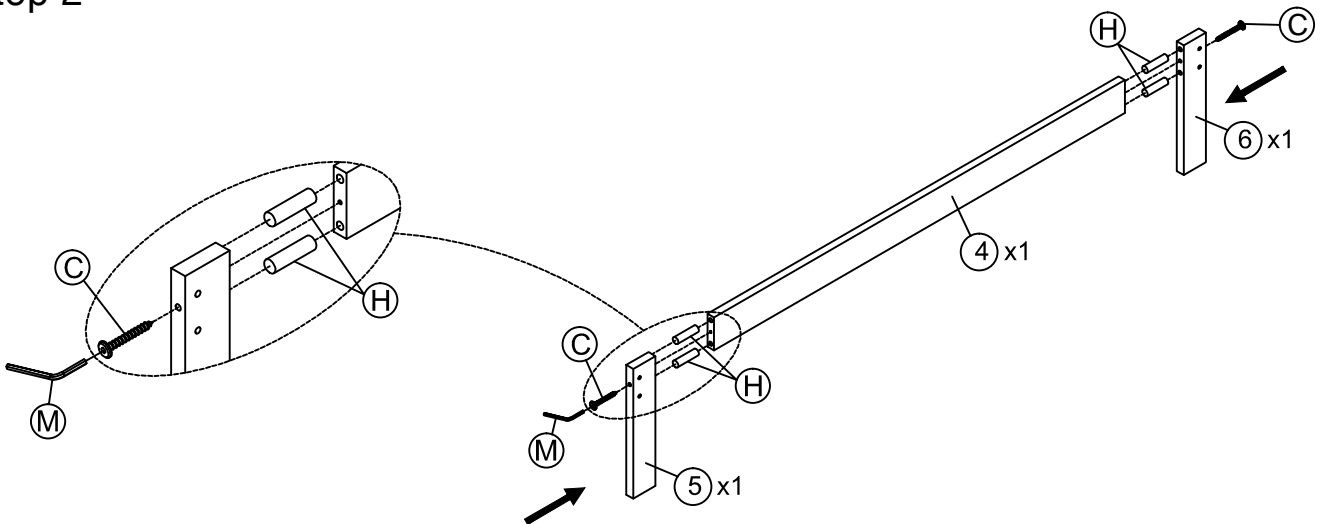
ASSEMBLY INSTRUCTIONS



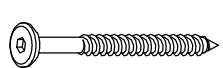
Step 1



				M	4x58		1PC
H	Ø10x40		4PCS	C	6.5x110		6PCS

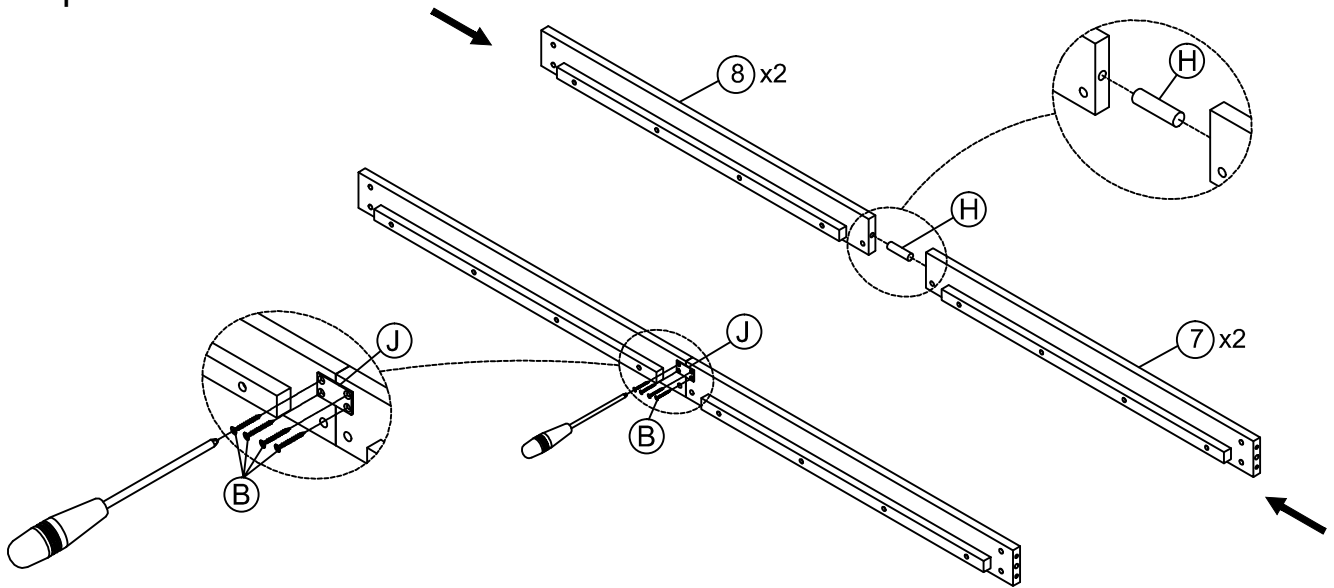
Step 2



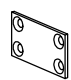


				M	4x58		1PC
H	Ø10x40		4PCS	C	6.5x110		2PCS

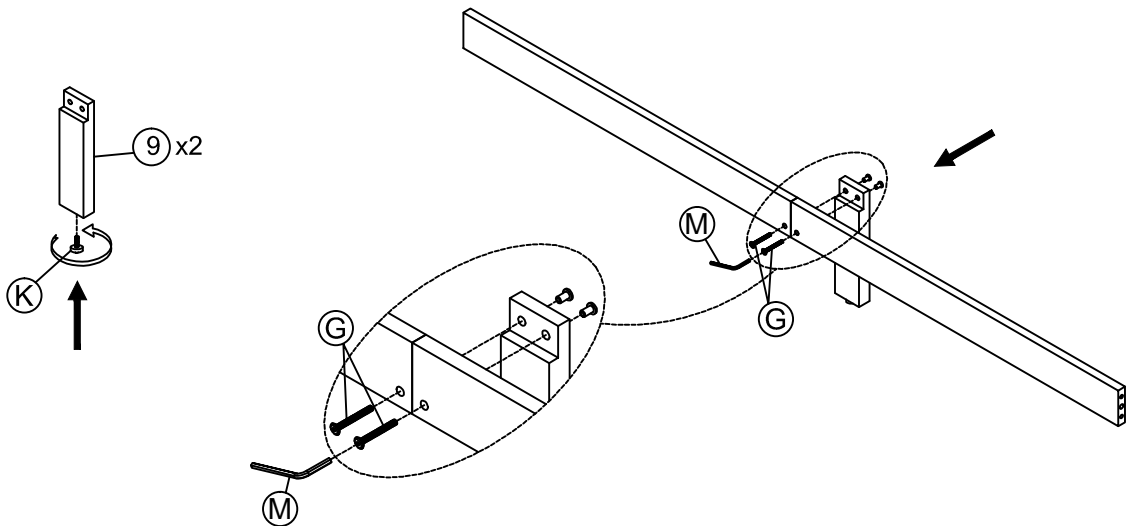
ASSEMBLY INSTRUCTIONS



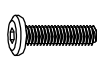
Step 3



				B	Ø4x15		8PCS
H	Ø10x40		2PCS	J	50x28x2		2PCS

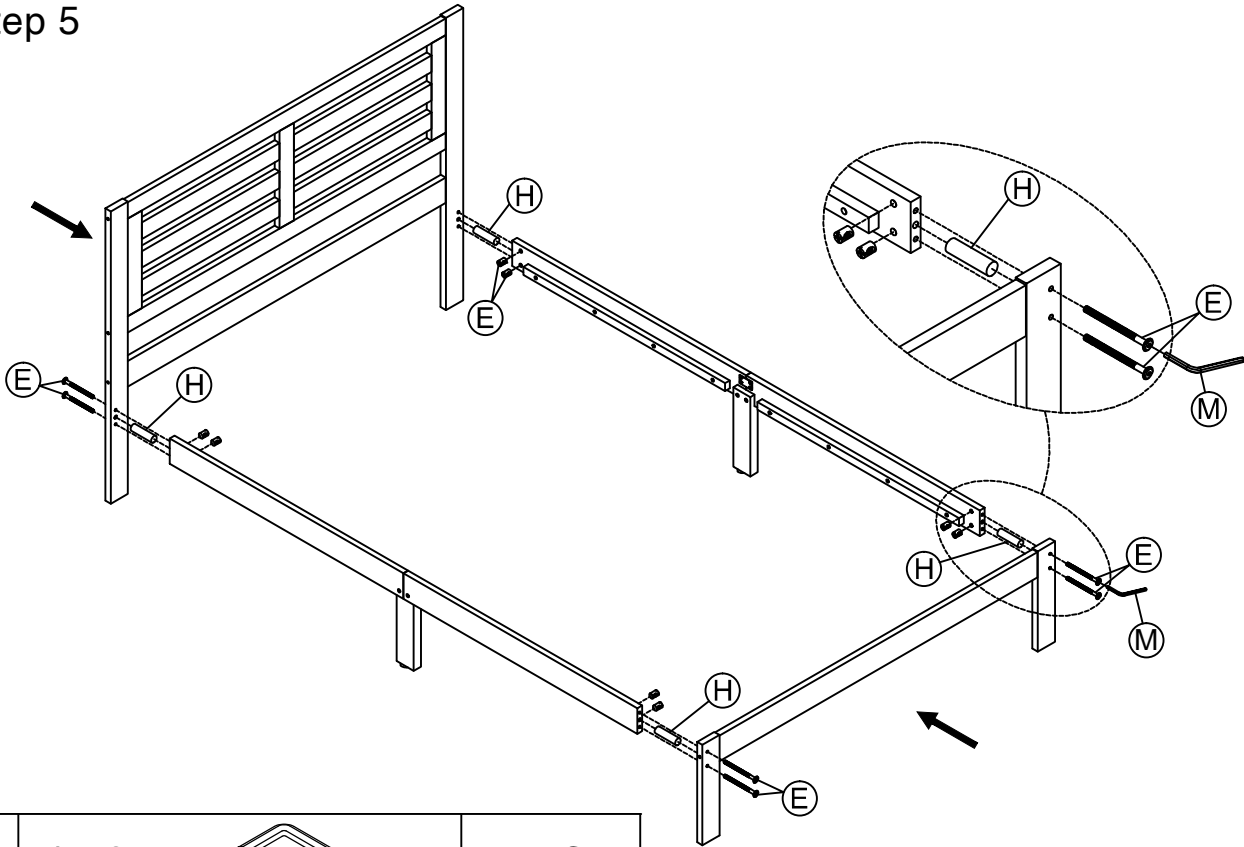
Step 4






				M	4x58		1PC
K	1/4x25		2PCS	G	1/4x30		4PCS

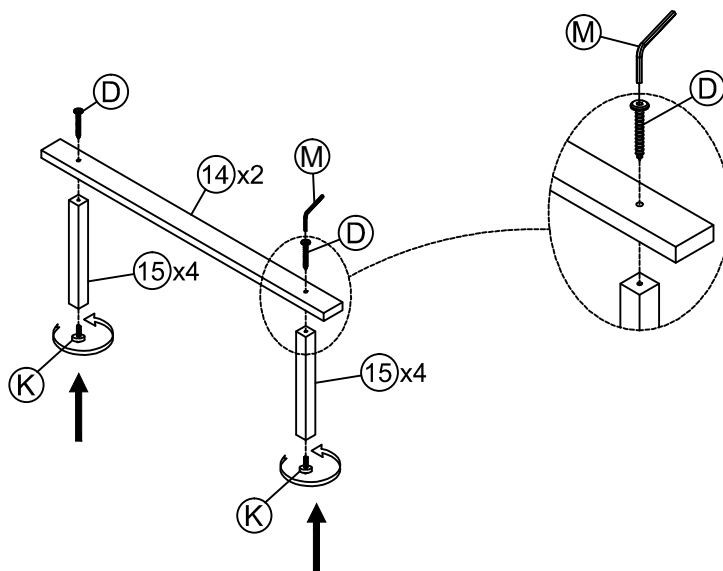
ASSEMBLY INSTRUCTIONS




Step 5



M	4x58		1PC				
E	1/4x70		8PCS	H	Ø10x40		4PCS

Step 6

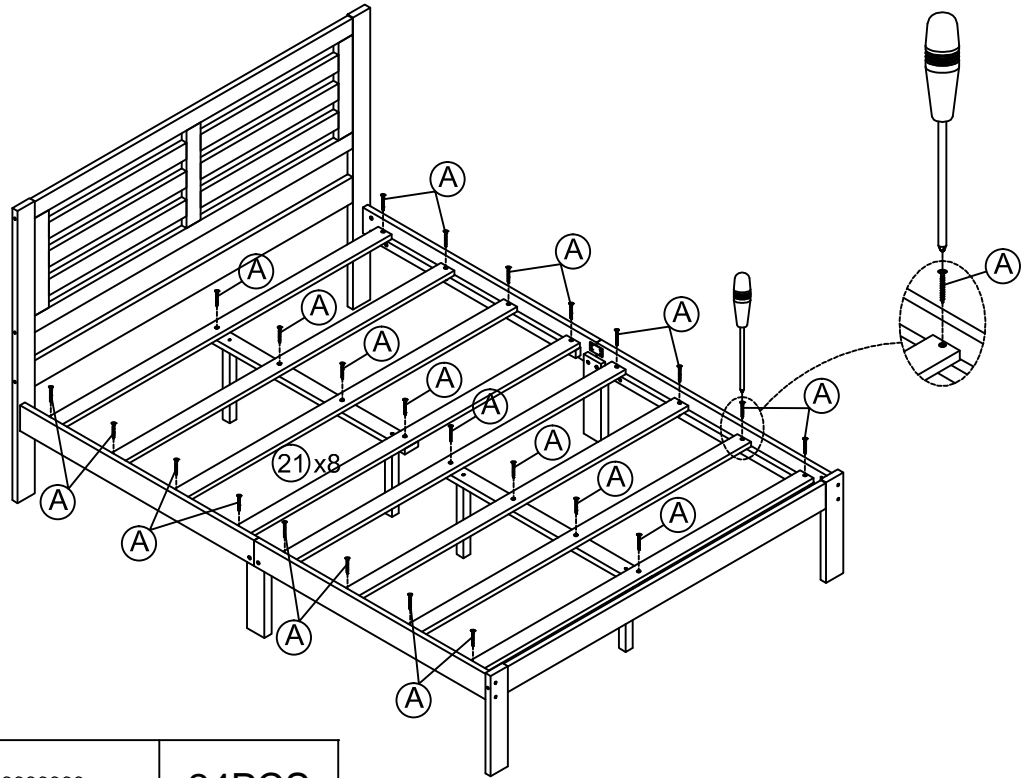


M	4x58		1PC				
D	6.5x50		4PCS	K	1/4x25		4PCS

ASSEMBLY INSTRUCTIONS

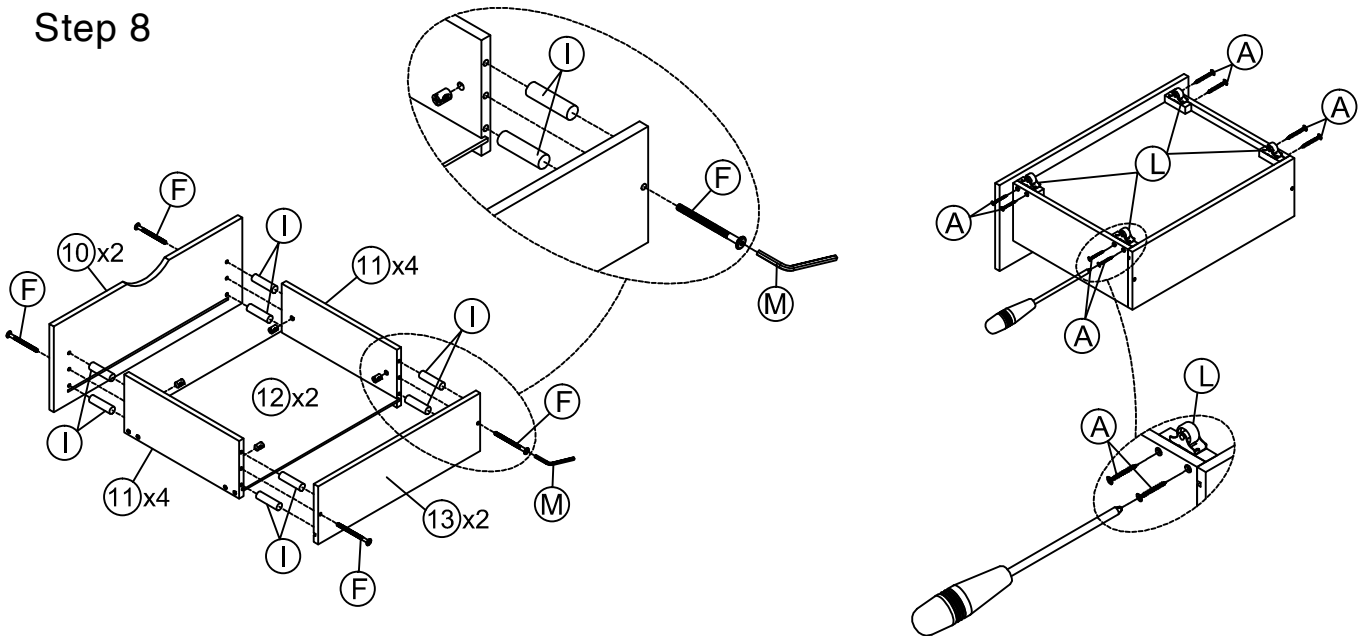
Step 7

First attach 2pcs part 21 to the front and end of the frame between headboard. Then attach the remaining part 21 equidistantly between headboard





A	Ø4x30		24PCS
----------	-------	---	-------


Step 8



A	Ø4x30		16PCS
----------	-------	---	-------

I	Ø8x30		16PCS
----------	-------	---	-------

M	4x58		1PC
----------	------	---	-----

F	1/4x60		8PCS
----------	--------	---	------

L			8PCS
----------	--	---	------

ASSEMBLY INSTRUCTIONS

Step 9

