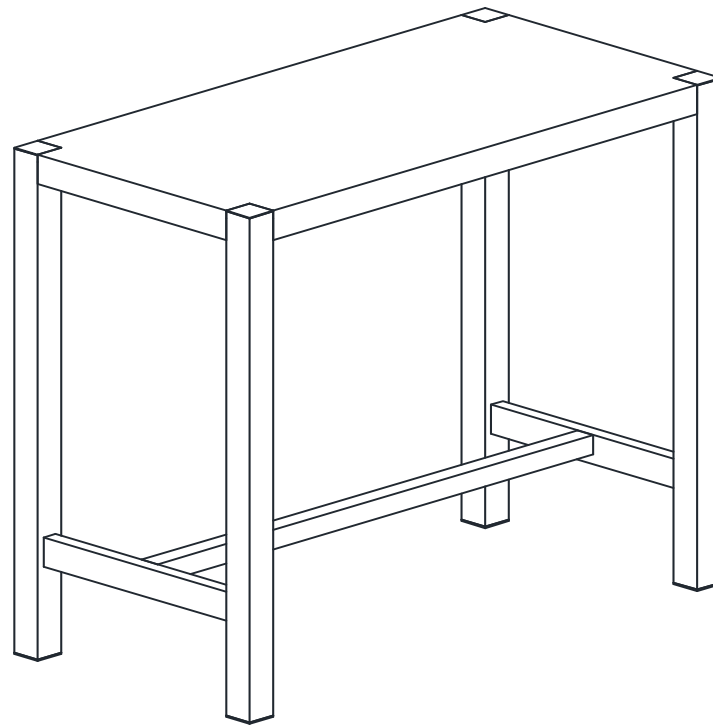


ASSEMBLY INSTRUCTIONS.

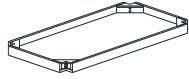
COUNTER TABLE WALNUT



THANK YOU FOR YOUR PURCHASE!

PARTS AND HARDWARE.

1. TABLE TOP x 1



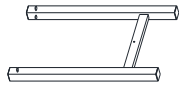
A. ALLEN KEY M6 x 1



B. BOLT M8*60 x 8



2. TABLE LEG x 2



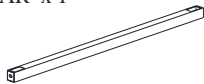
C. METAL PLATE x 4



D. BOLT M8*20 x 2



3. CONNECT BAR x 1



E. FLAT WASHER DIA
17MM x 2

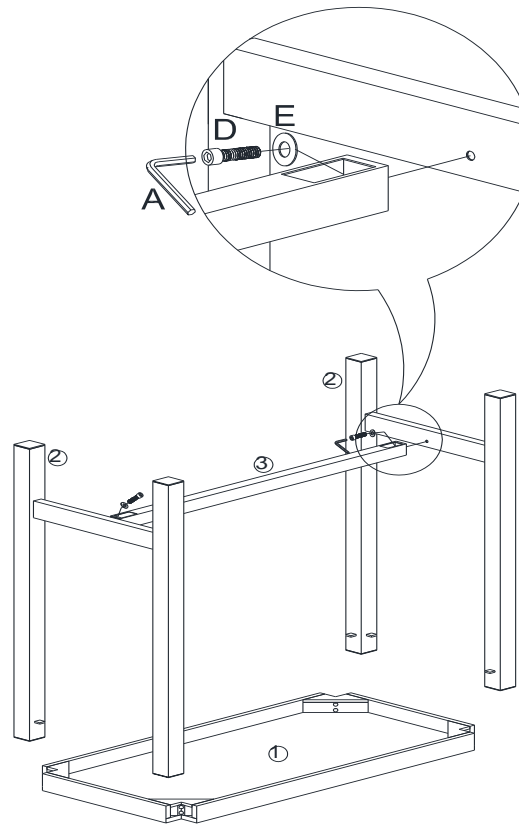


NOTES.

Thank you for purchasing this quality product! Be sure to check all packing material carefully for small part that may have come loose inside the carton during shipping.

CAUTION: The item is heavy, assembly should be performed by two people.

STEP 1.



STEP 2.

