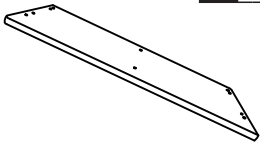
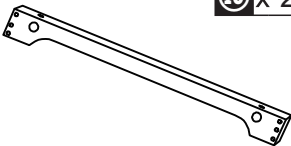
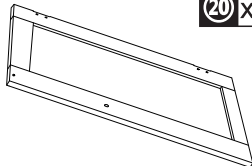
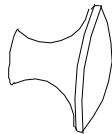


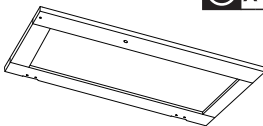
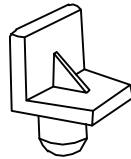
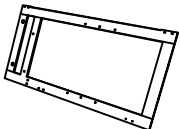
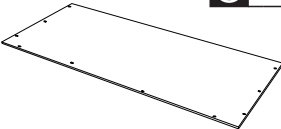
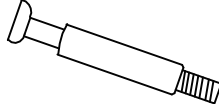

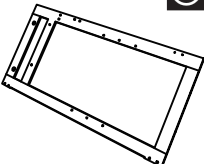
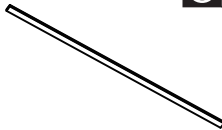
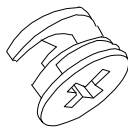
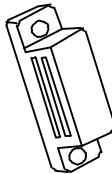
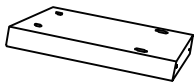
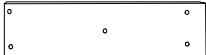
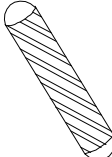
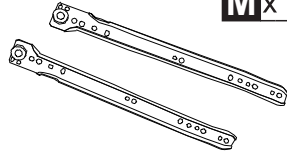
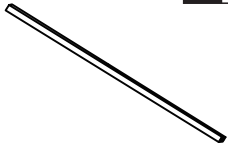
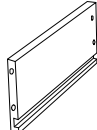

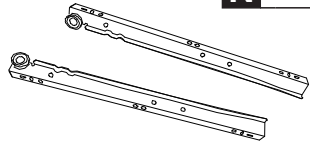
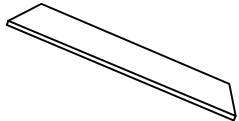
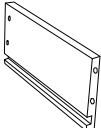


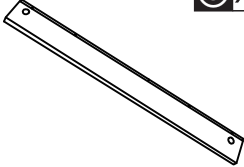


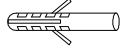
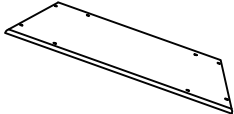

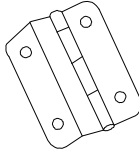

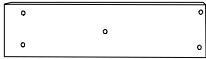
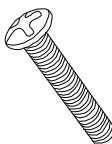
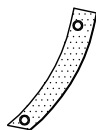


READ AND SAVE THIS INSTRUCTIONS FOR FUTURE USE

ASSEMBLY INSTRUCTION

 1 x 1	 10 x 2	 20 x 1	 I x 4
 2 x 1	 11 x 2	 21 x 1	 J x 4
 3 x 1	 12 x 2	 A x 28	 K x 20
 4 x 1	 13 x 1	 B x 28	 L x 1
 5 x 1	 14 x 1	 C x 22	 M x 2
 6 x 1	 15 x 2	 D x 13	 N x 2
 7 x 1	 16 x 2	 E x 2	 O x 1
 8 x 1	 17 x 2	 F x 37	 P x 1
 9 x 1	 18 x 2	 G x 4	 Q x 2
	 19 x 1	 H x 4	 R x 1

M2*10:

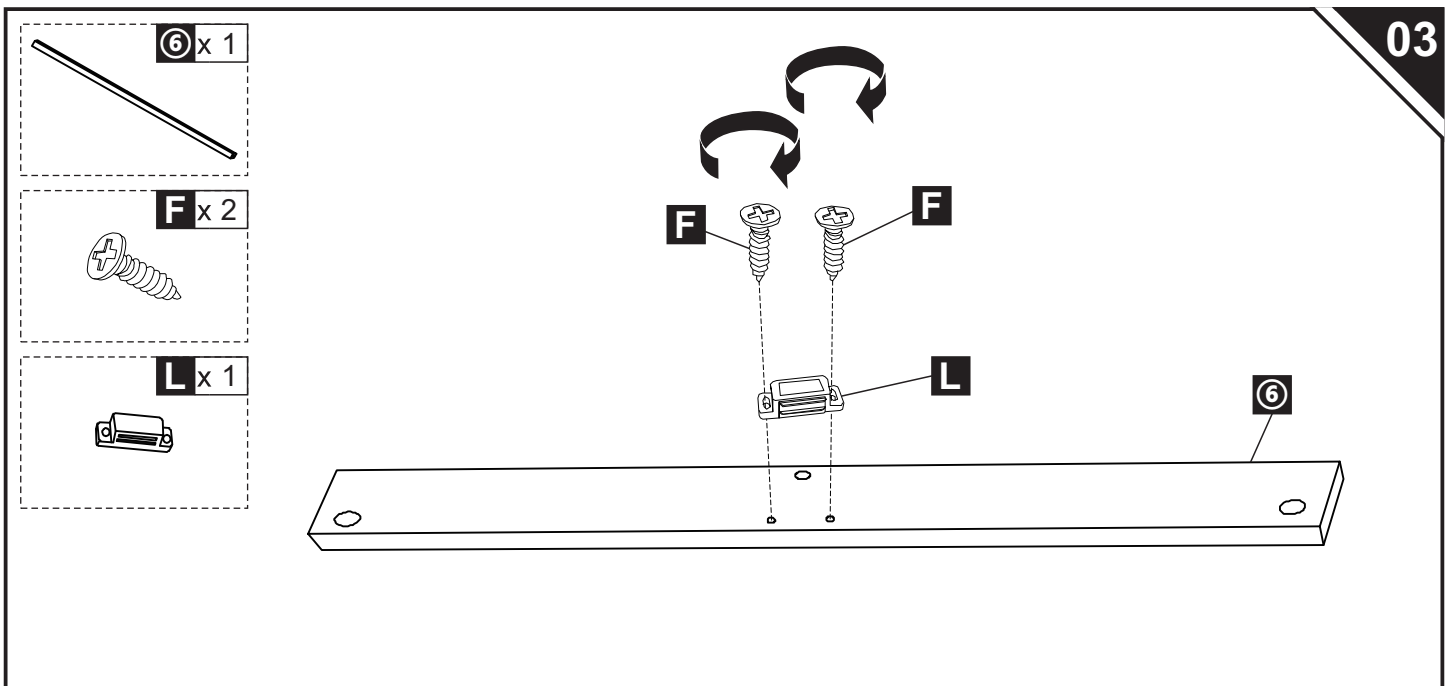
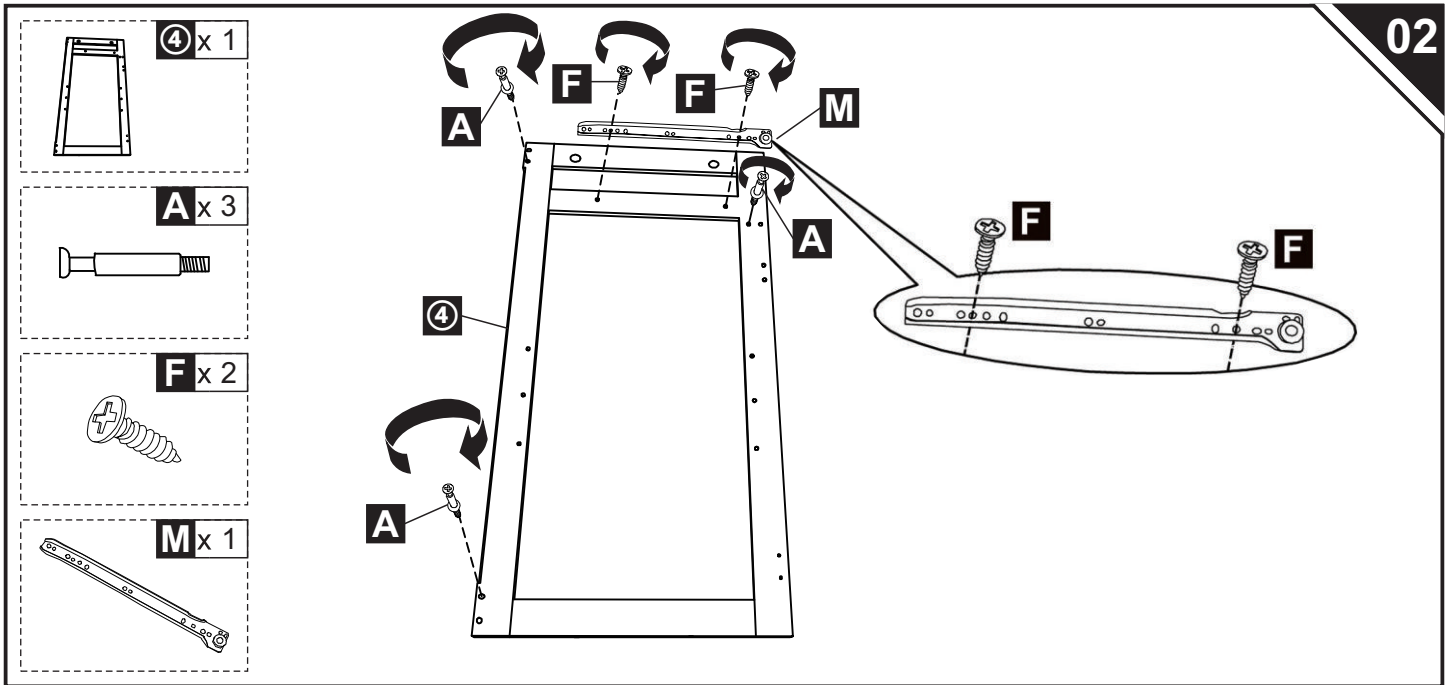
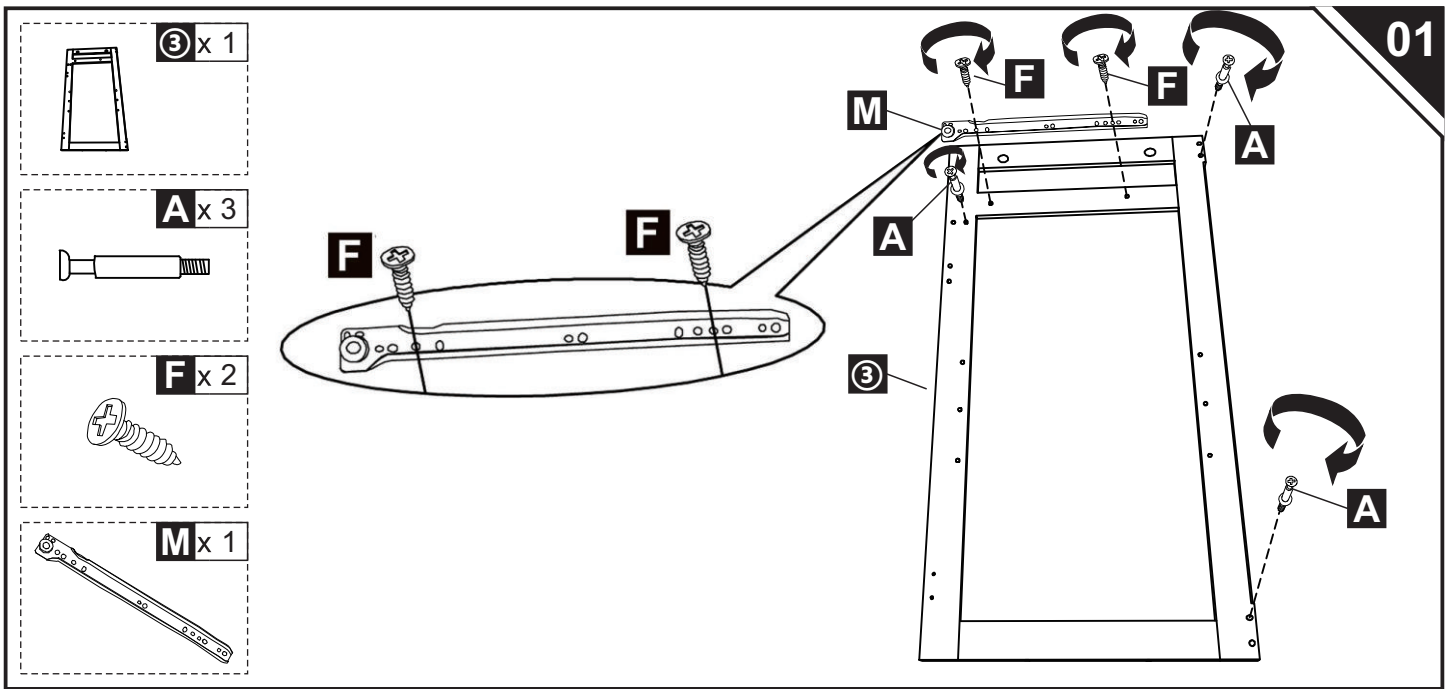
M4*30:

M3.5*40:

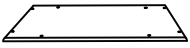
M3*12:

M4*16:

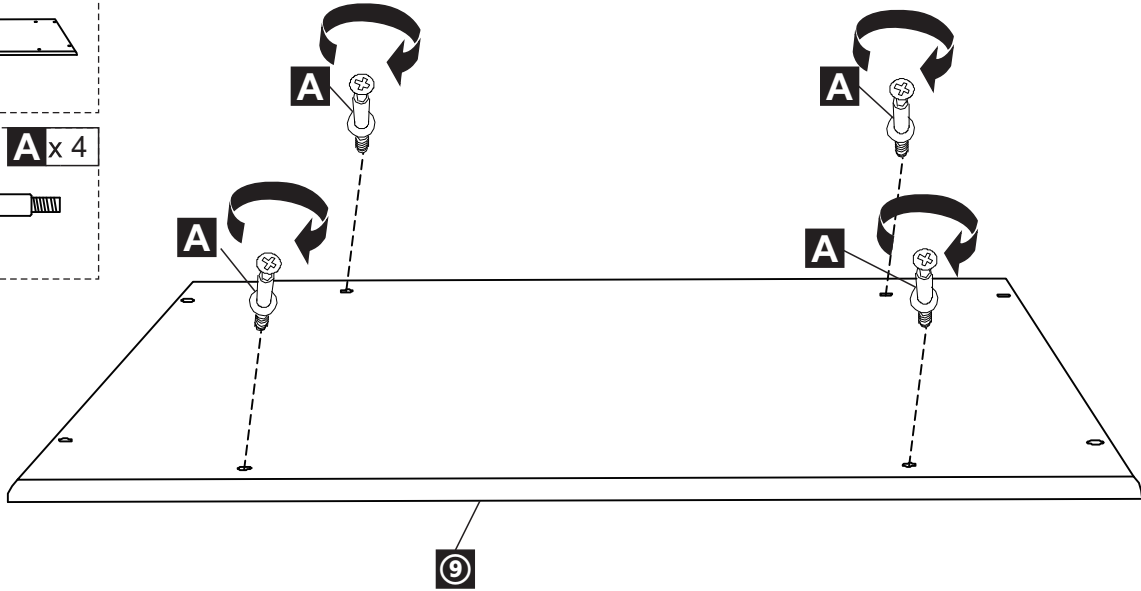
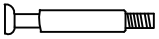




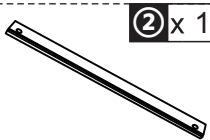
⑨ x 1



A x 4



② x 1



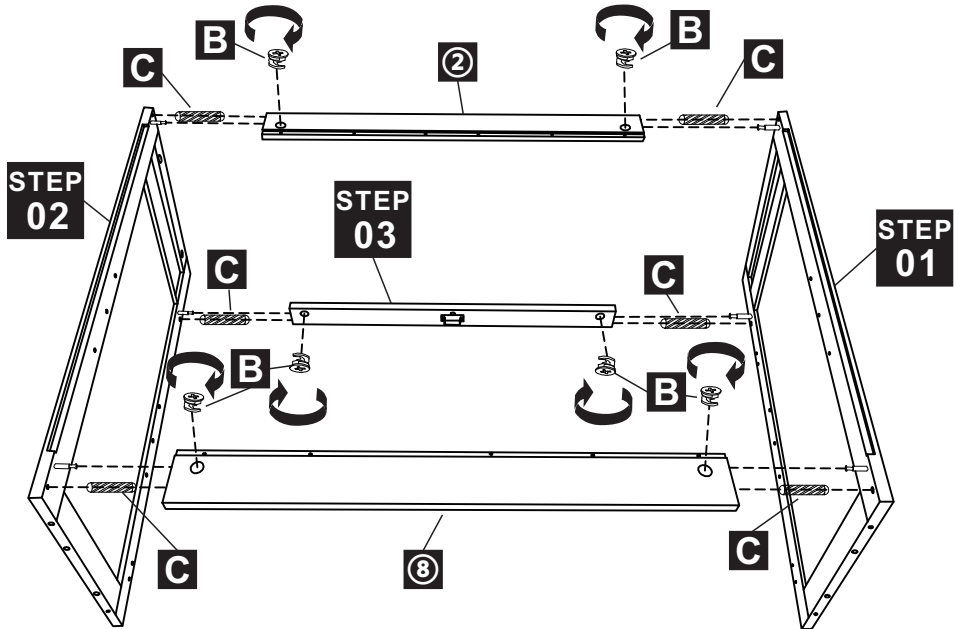
⑧ x 1



B x 6



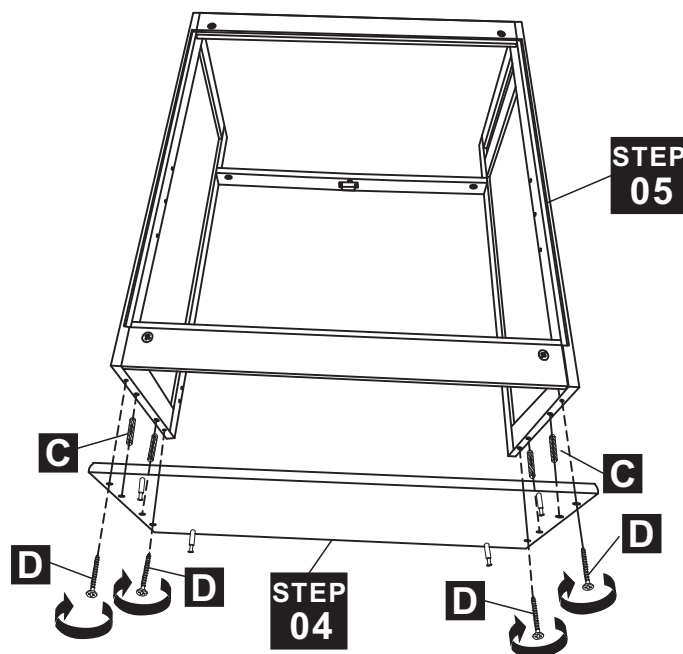
C x 6

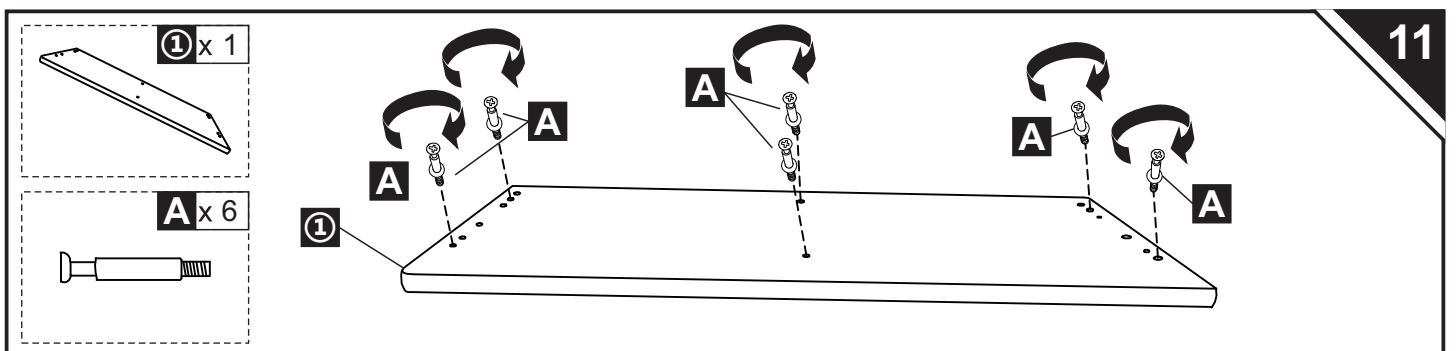
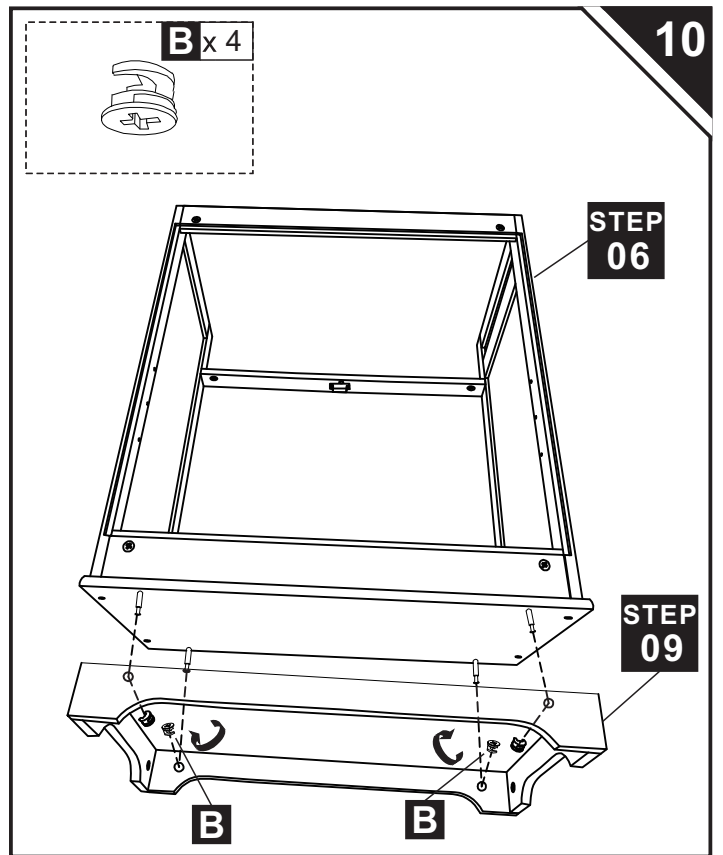
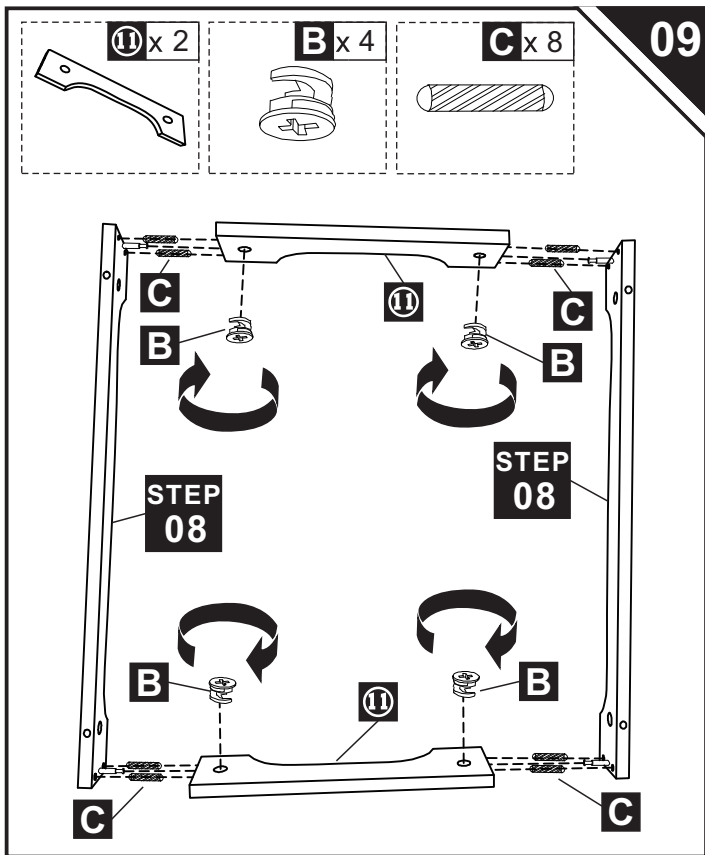
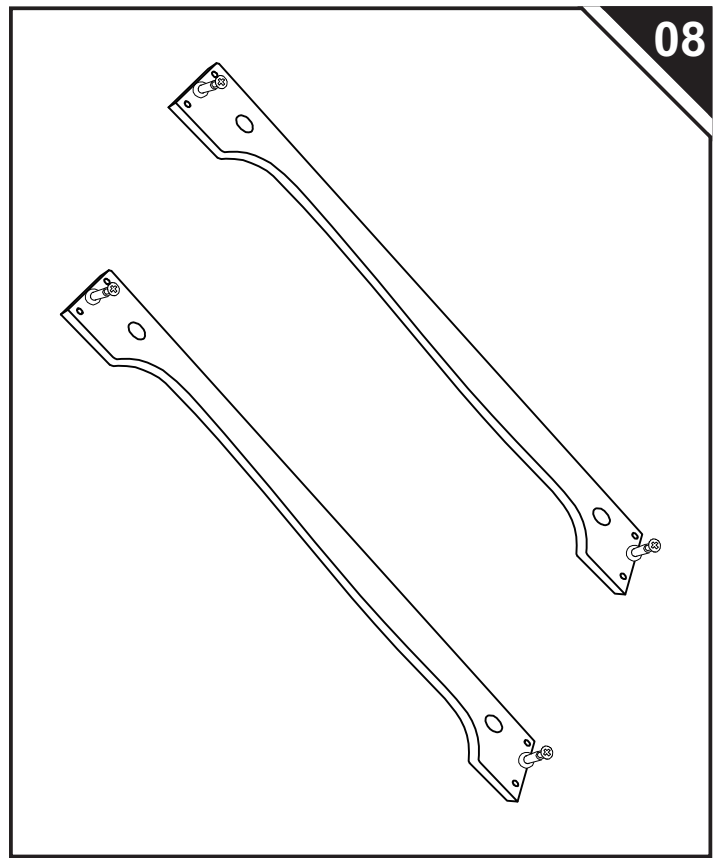
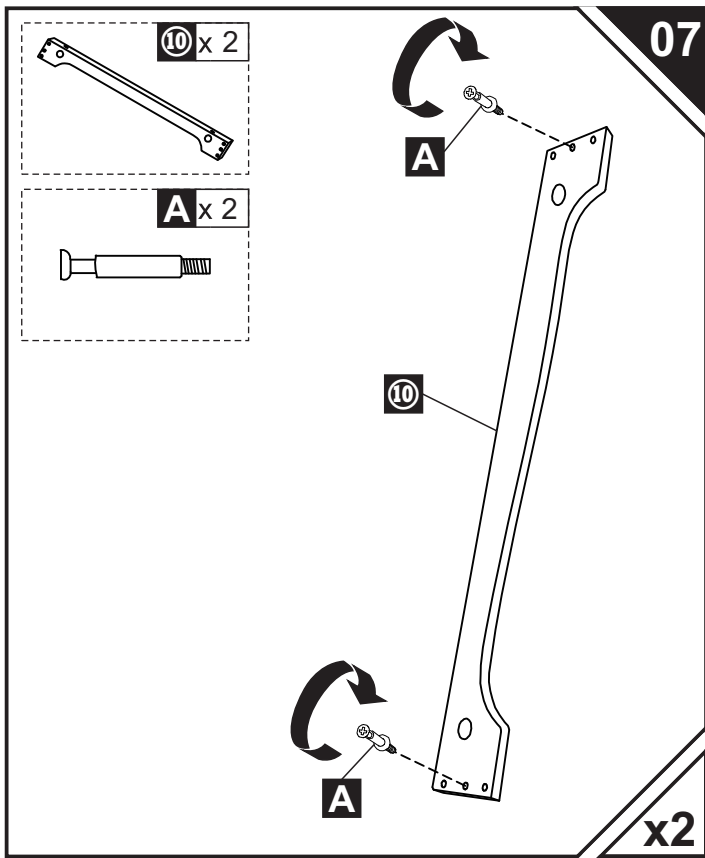


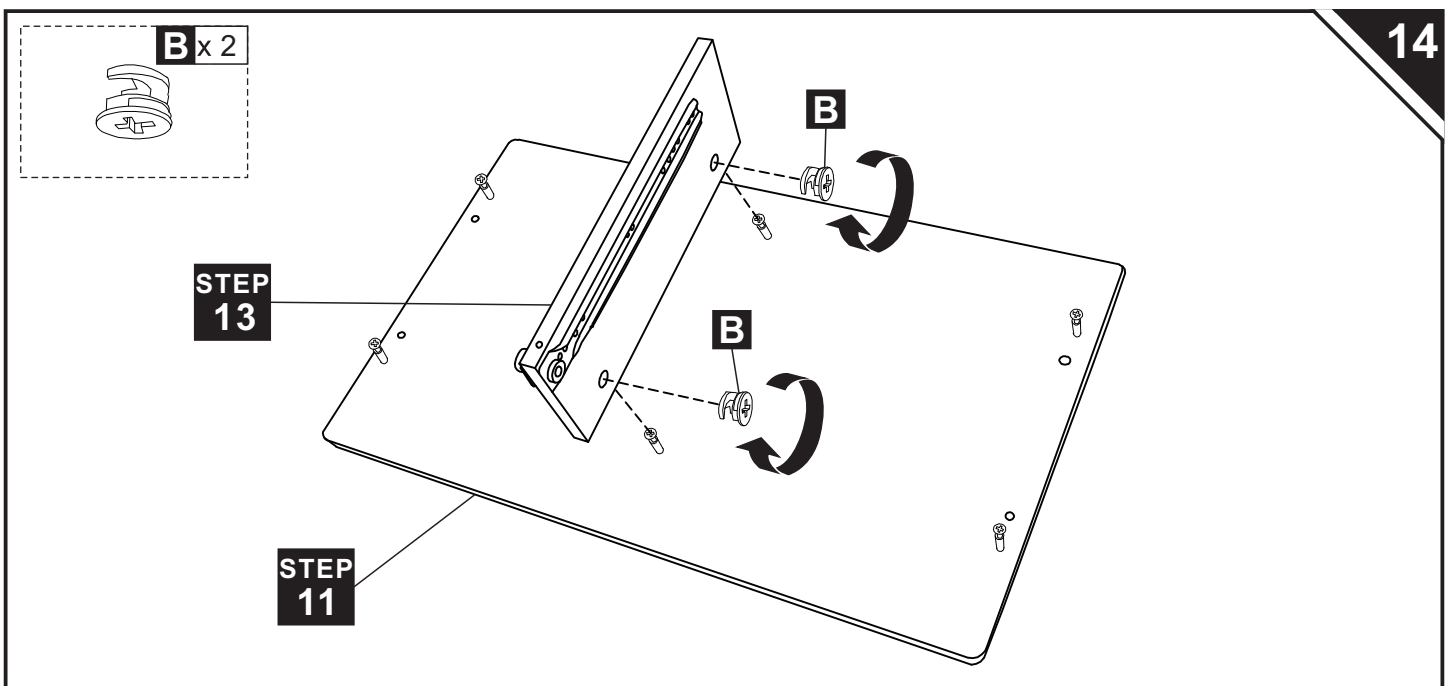
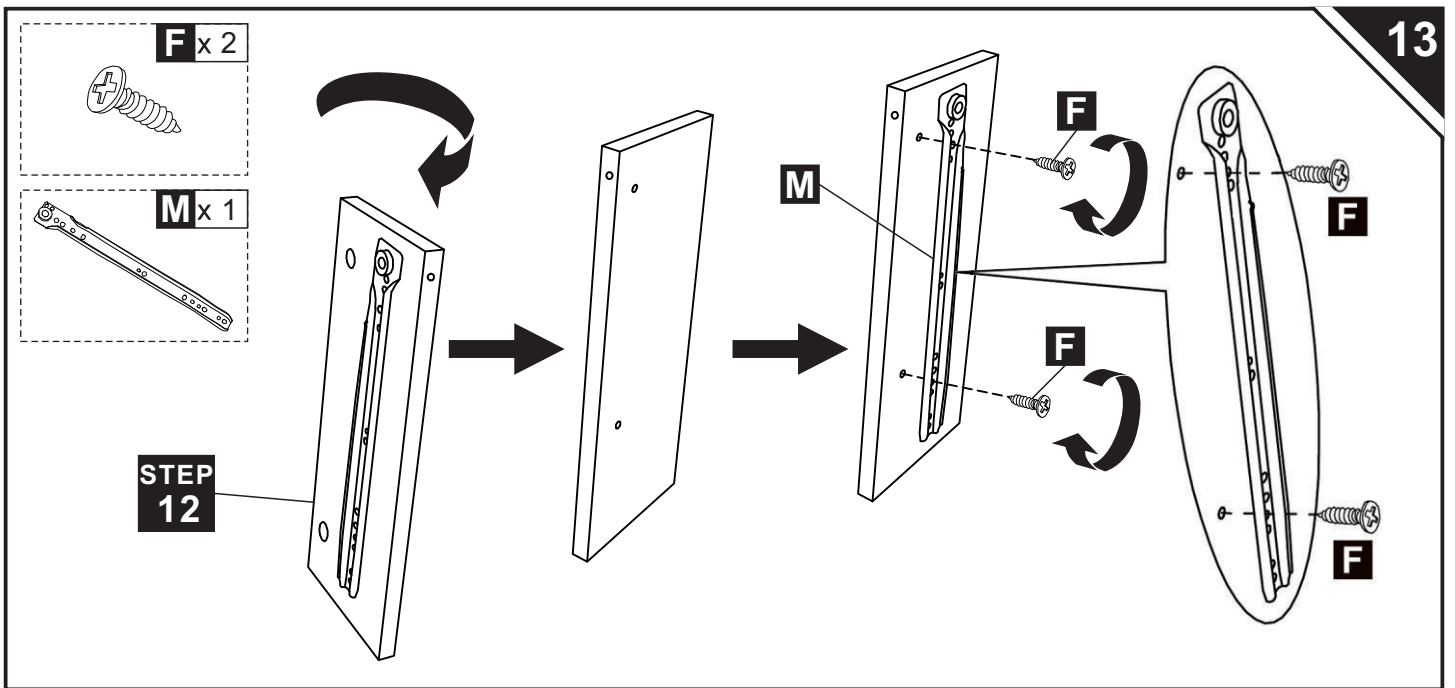
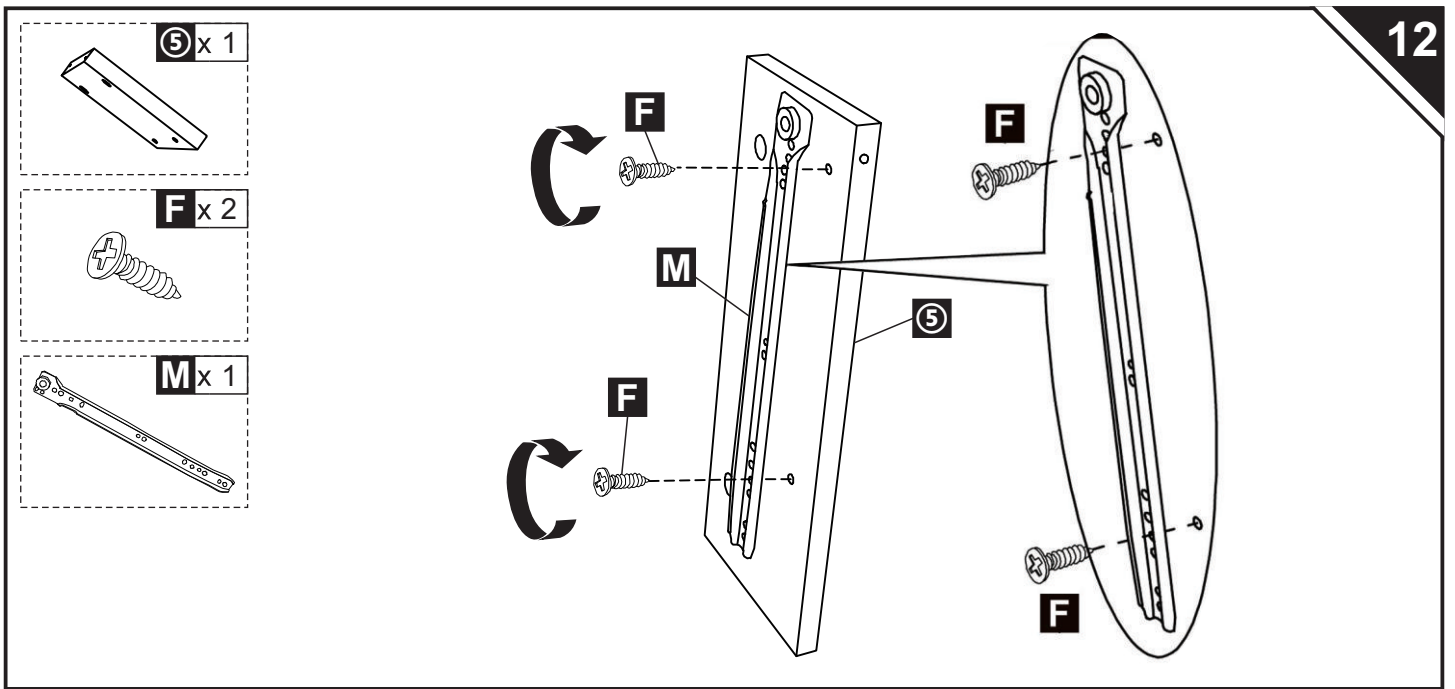
C x 4



D x 4







B x 4



C x 4

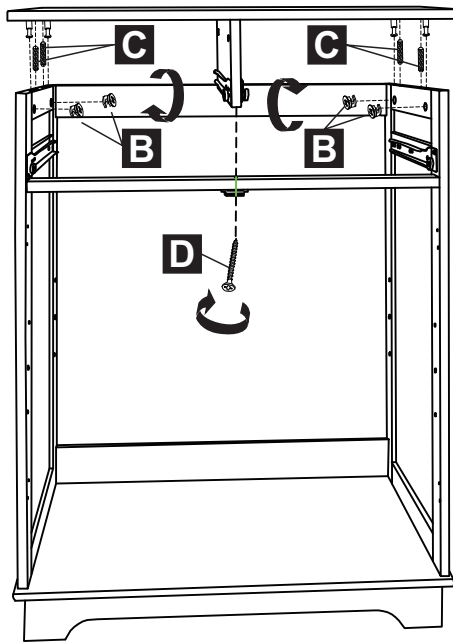


D x 1



STEP 14

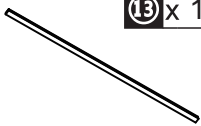
STEP 10



12 x 2



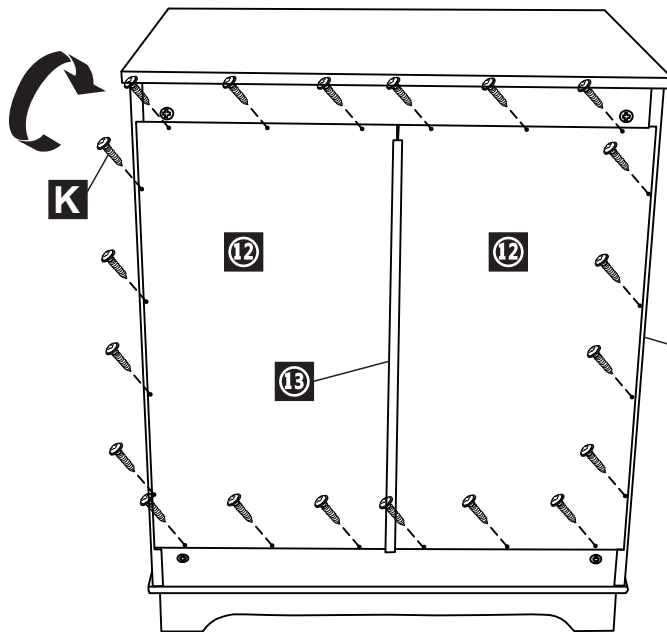
13 x 1



K x 20



STEP 15



20 x 1



H x 1



E x 1



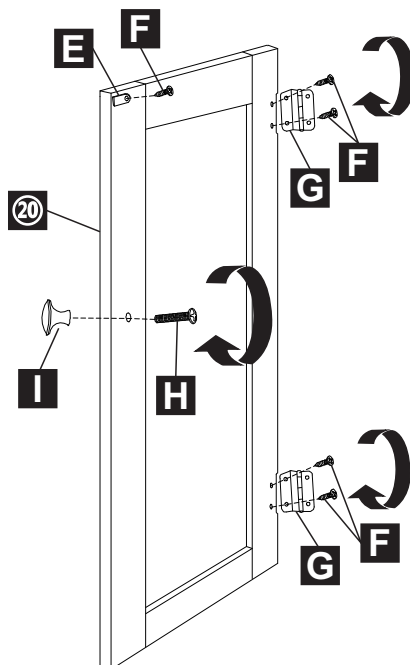
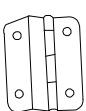
I x 1

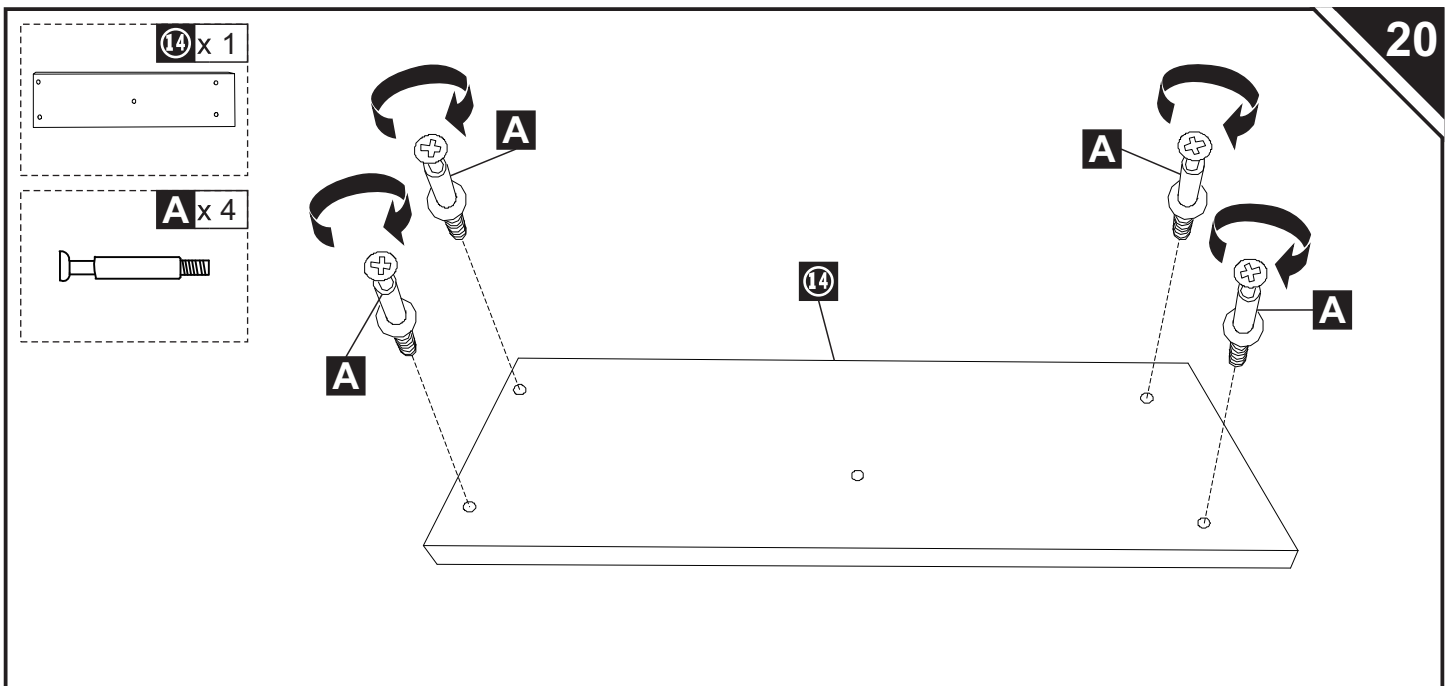
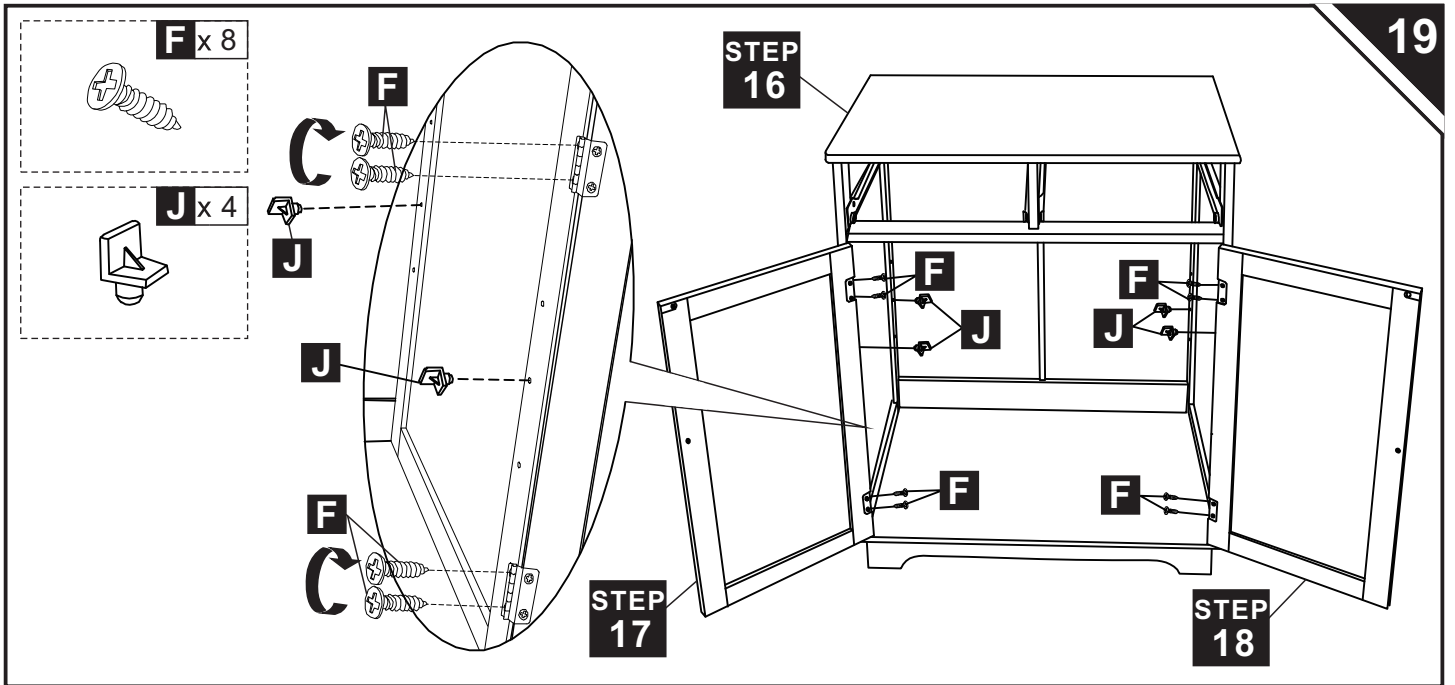
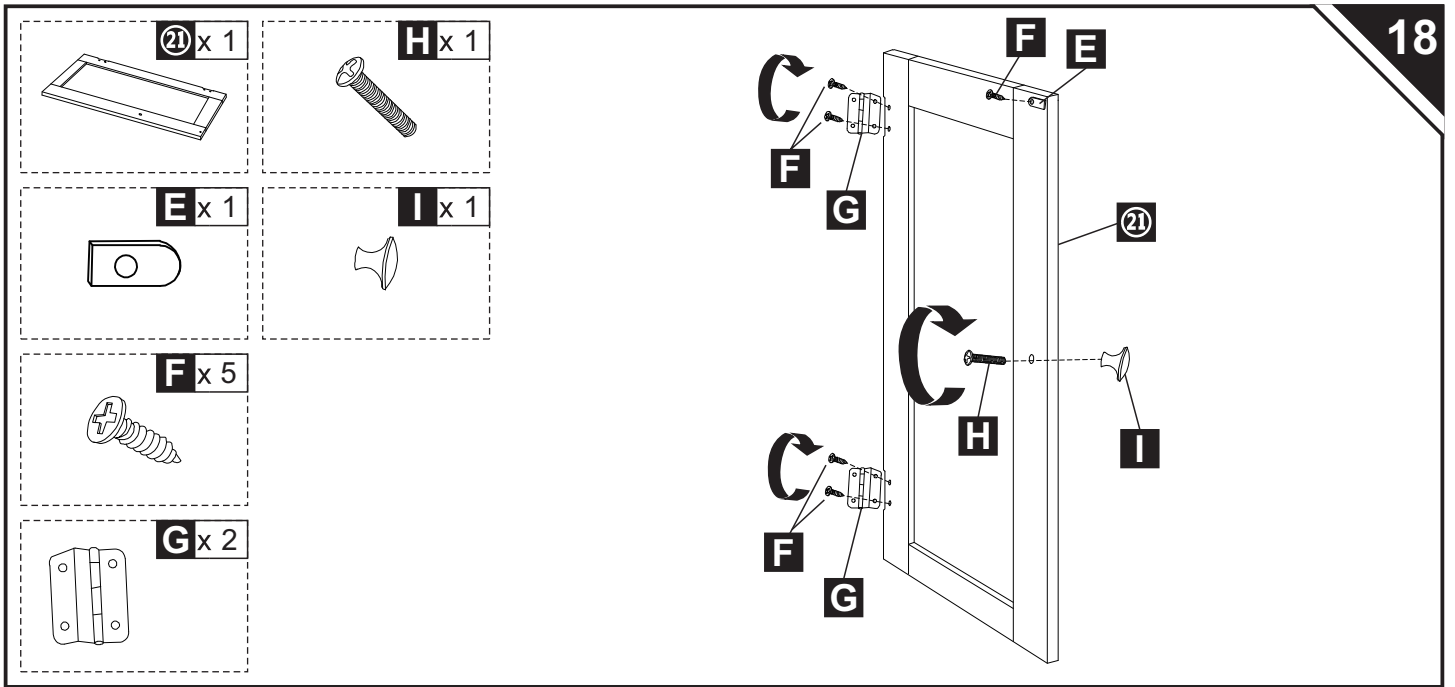


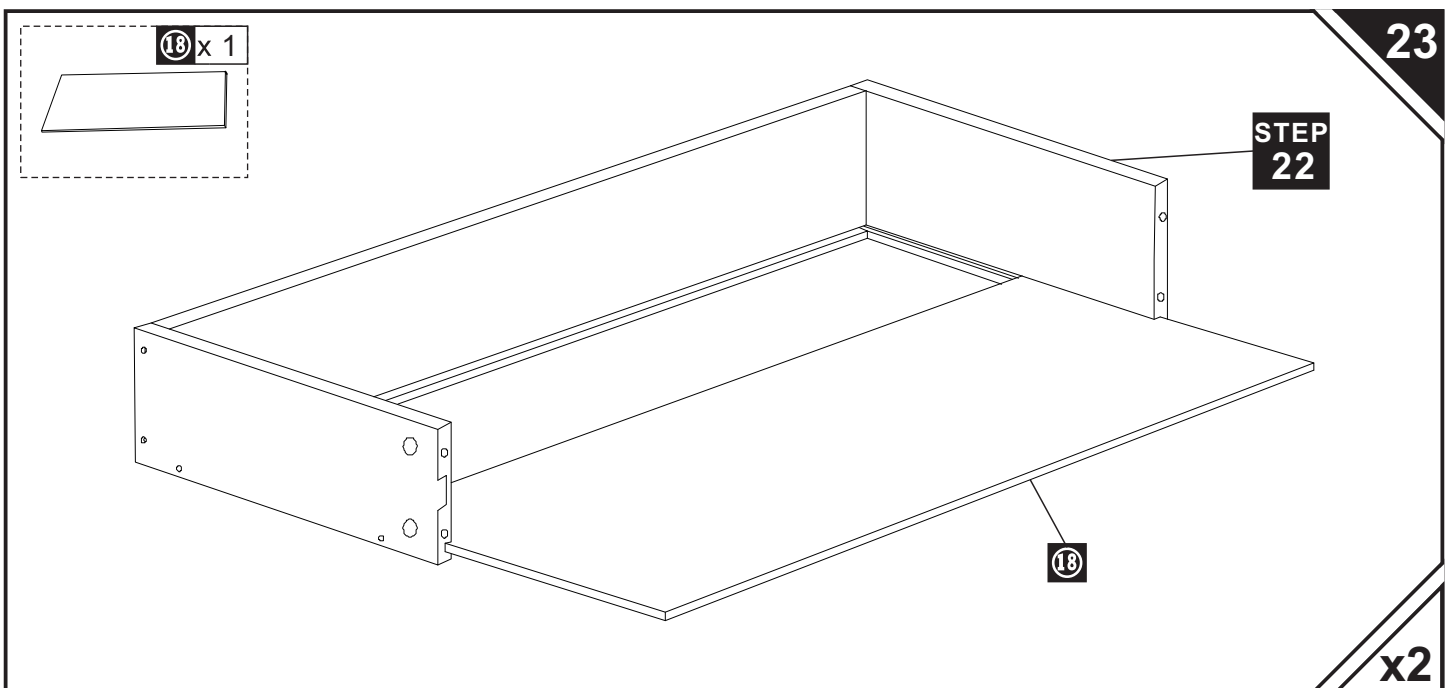
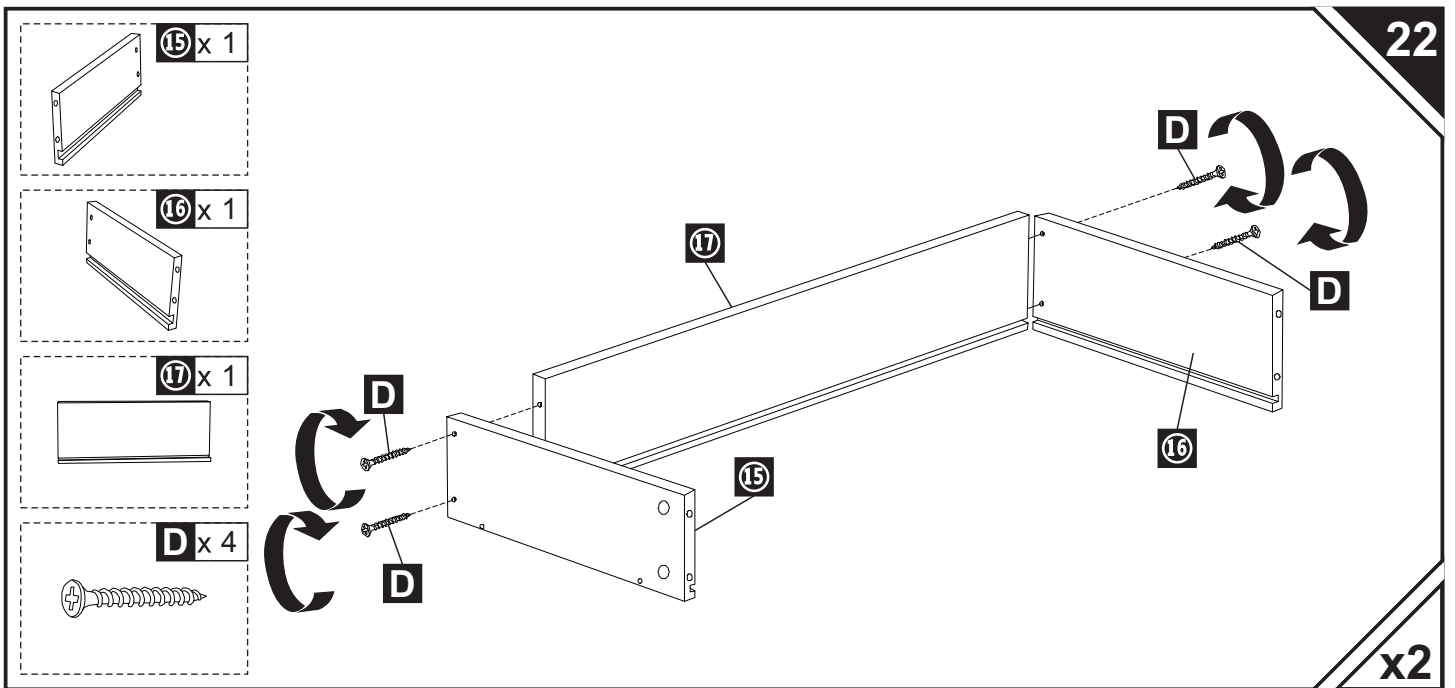
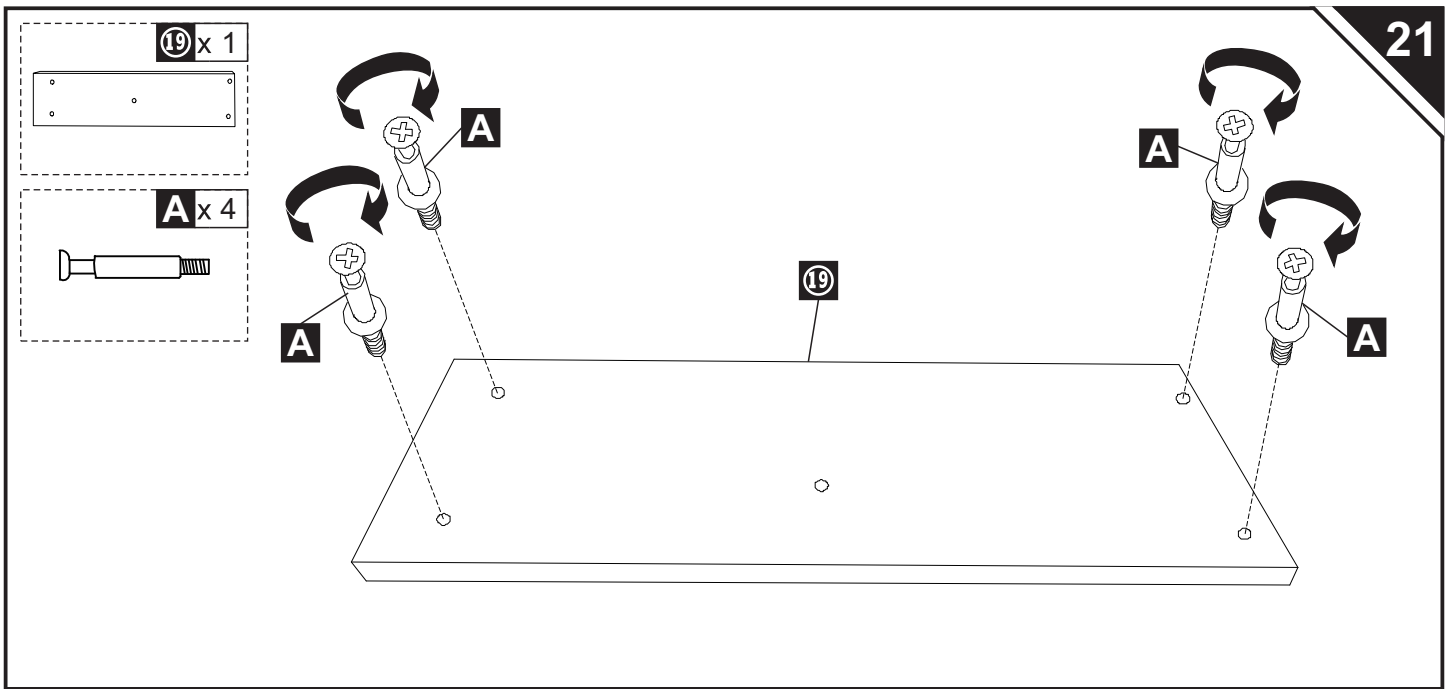
F x 5

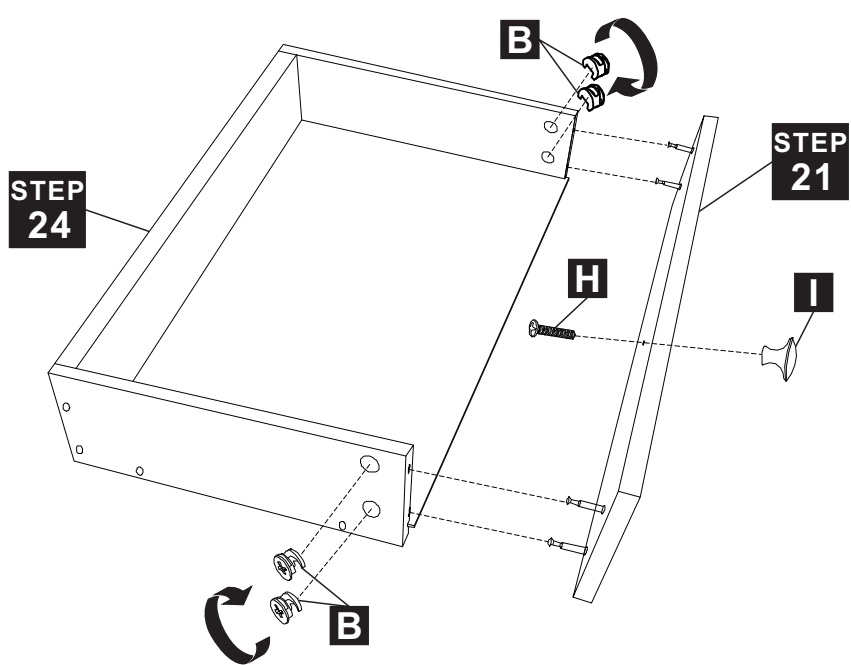
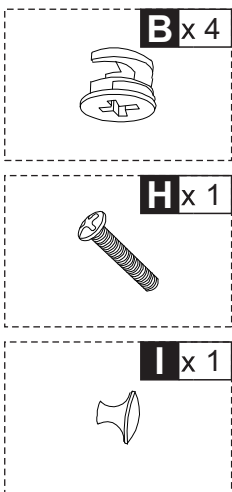
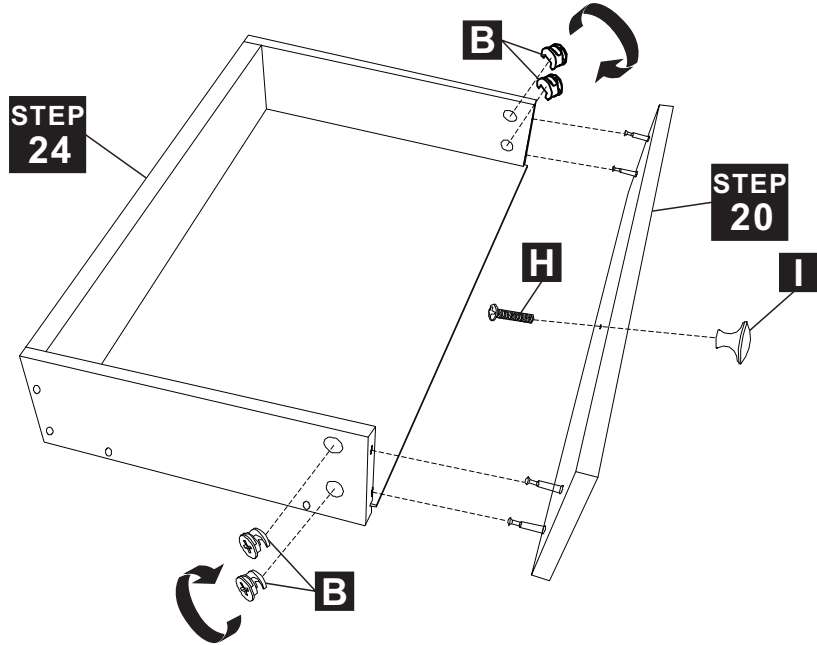
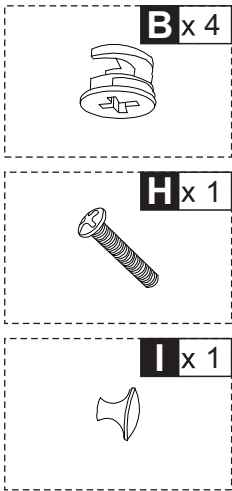
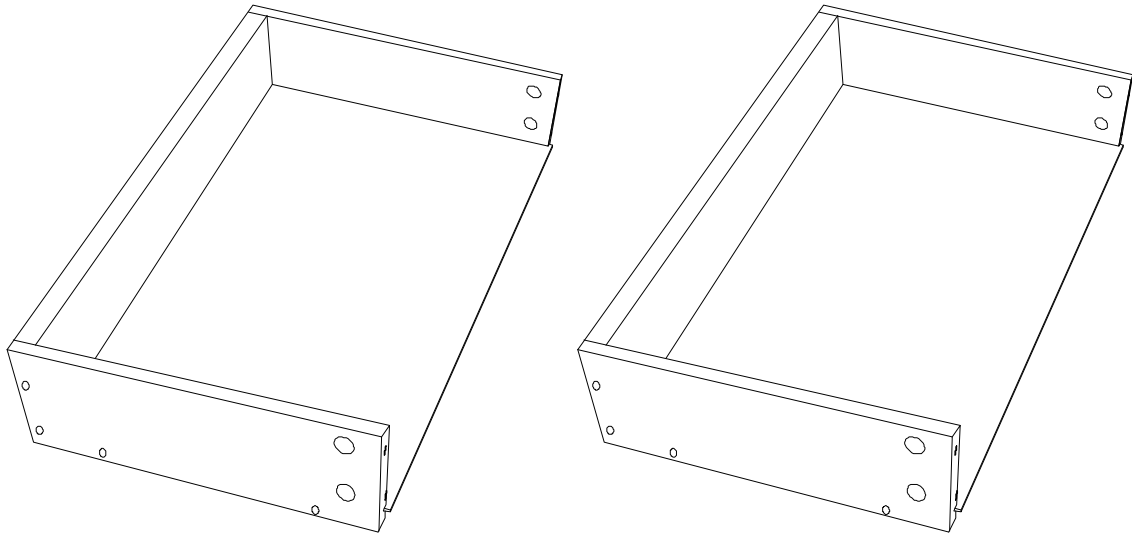


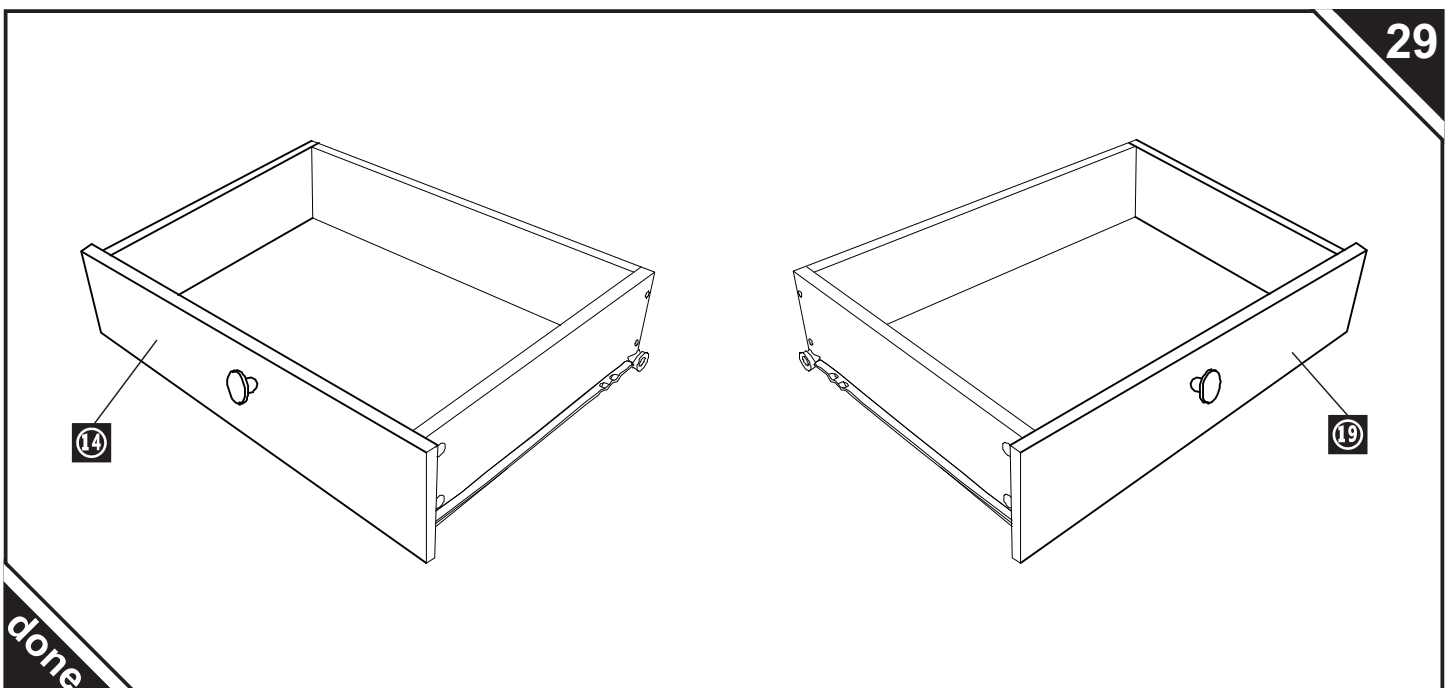
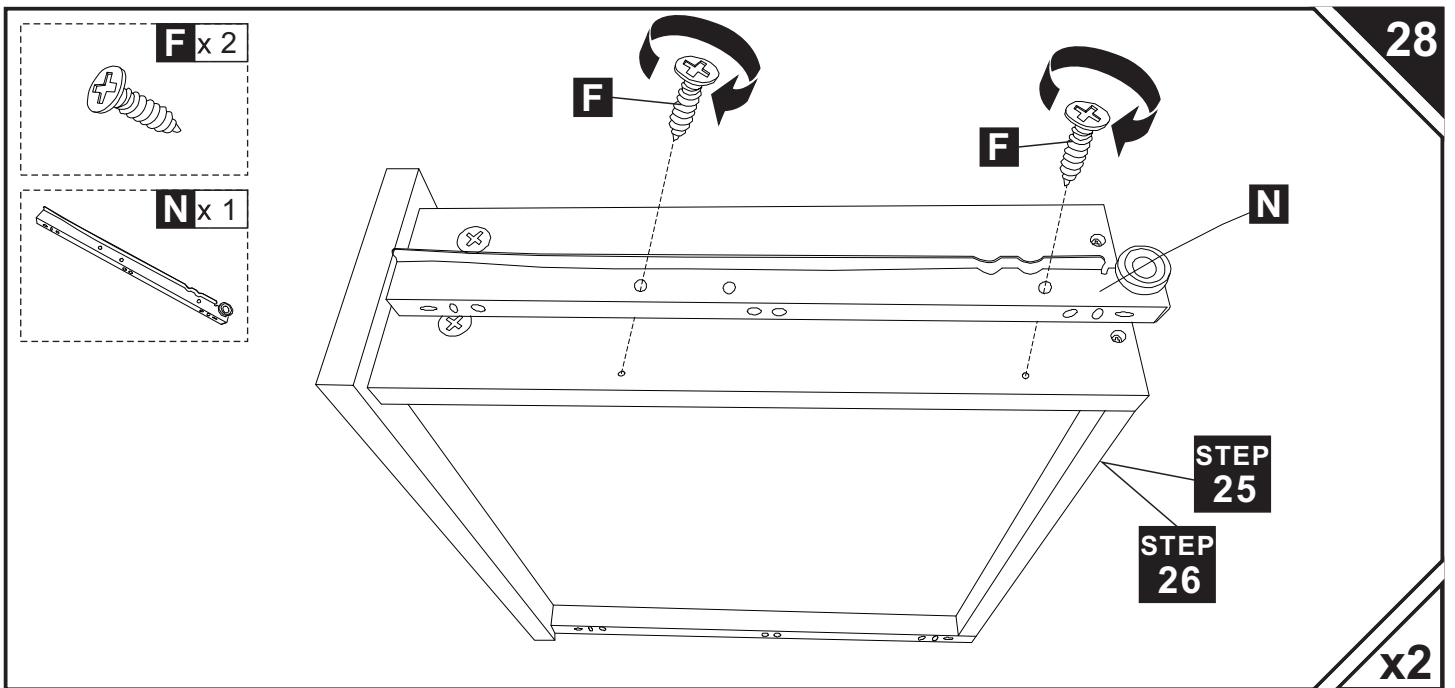
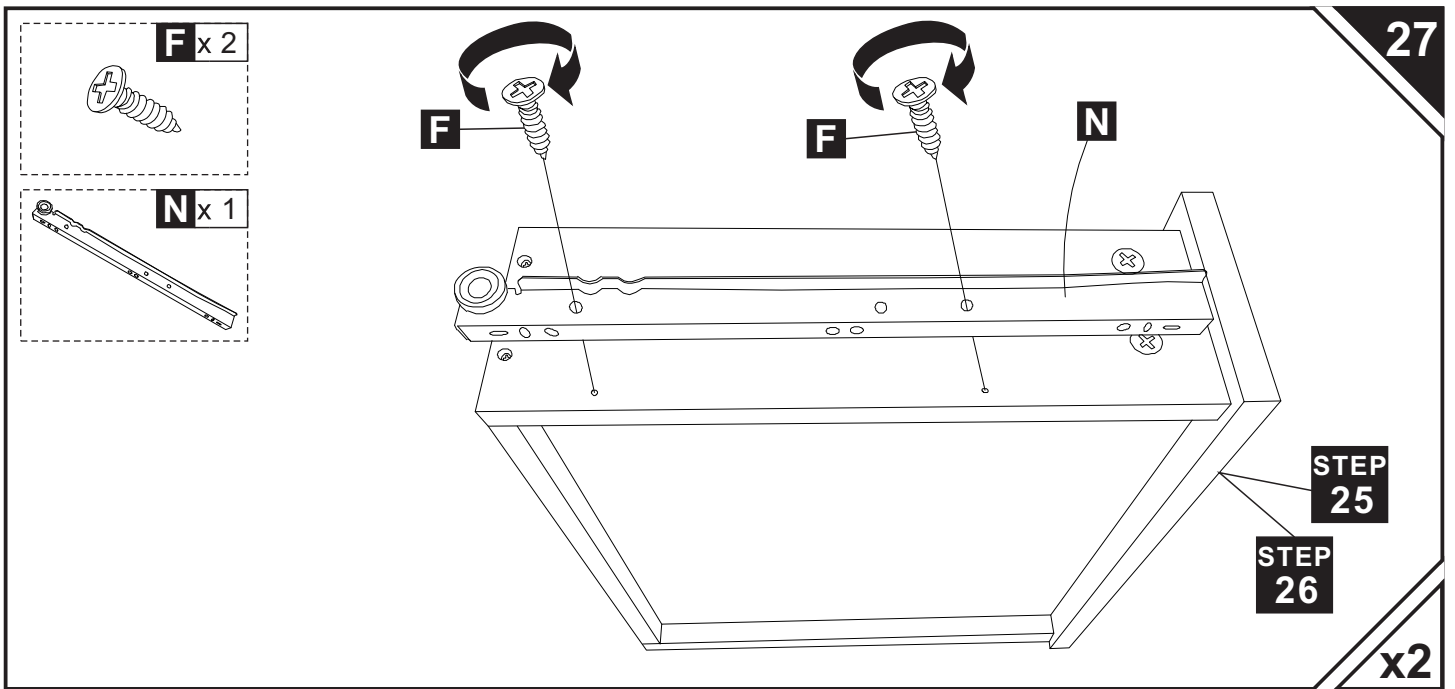
G x 2

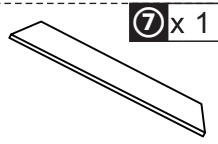




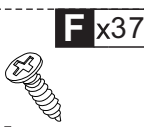








⑦ x 1



F x 37

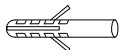
M3*12

O x 1



M3.5*40

P x 1



Q x 2

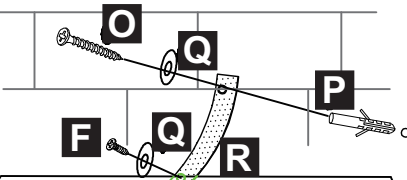
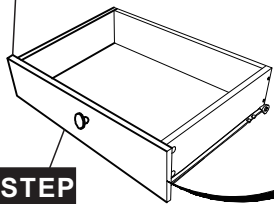


R x 1



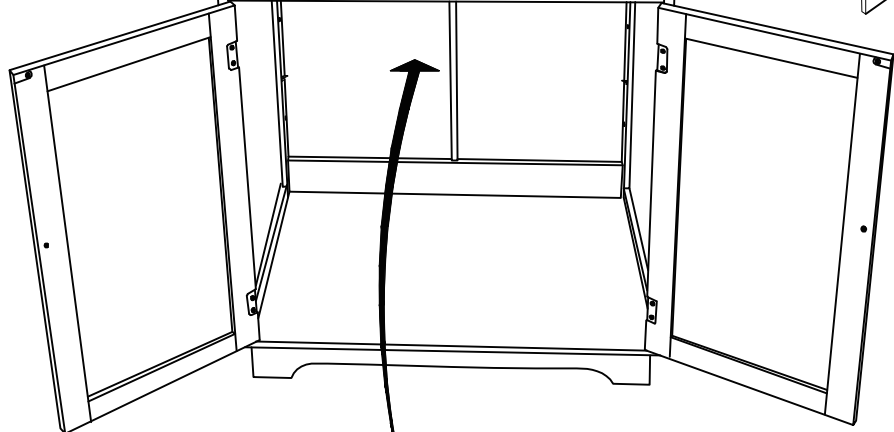
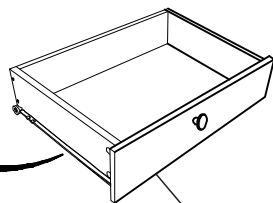
⑭

STEP 29



⑲

STEP 29



⑦

