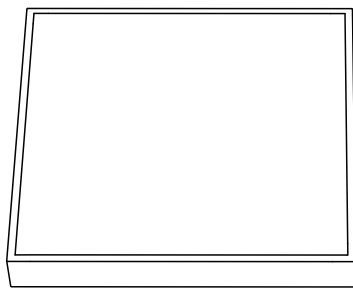


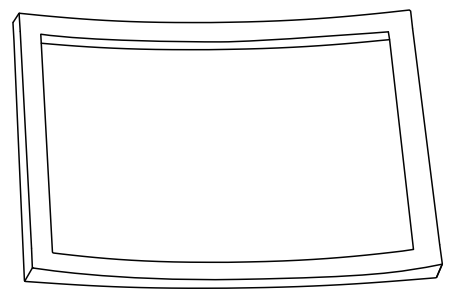
Ex8



Ax1



Bx1



Fx4



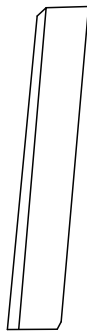
Gx4



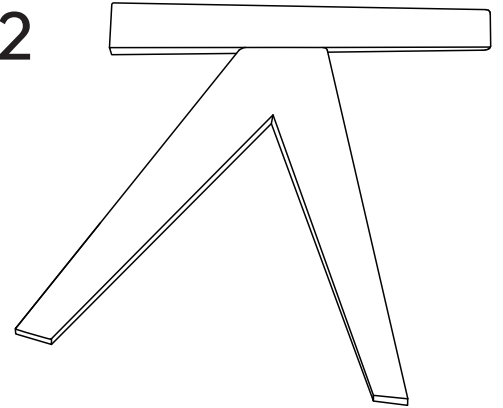
Hx4



Dx2



Cx2



Ix8



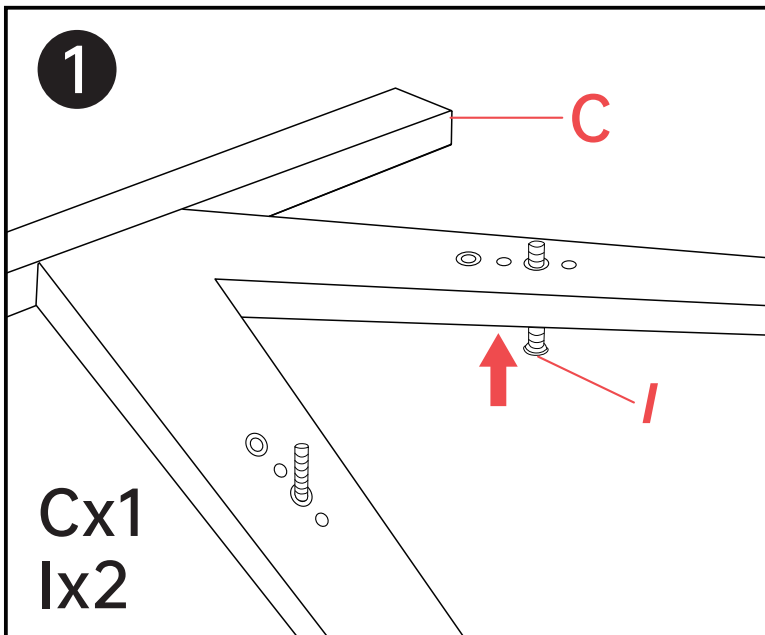
Jx1



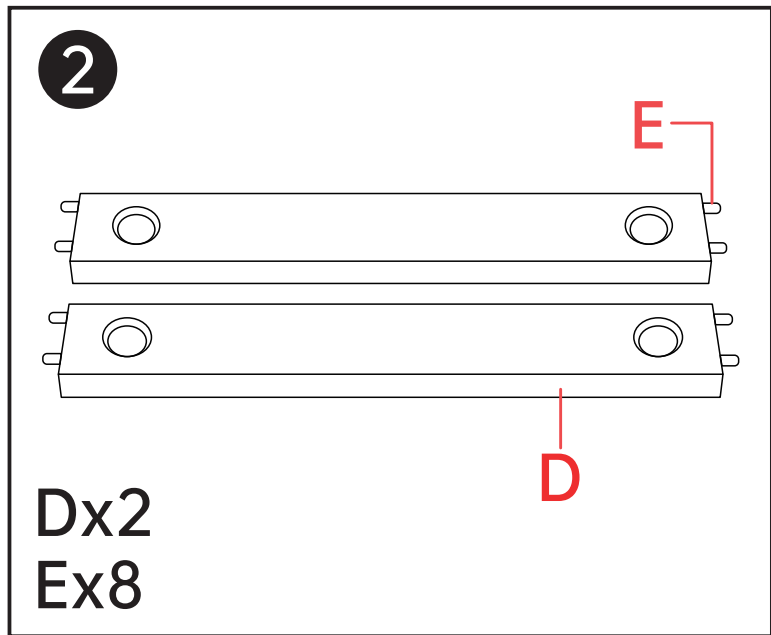
Kx1



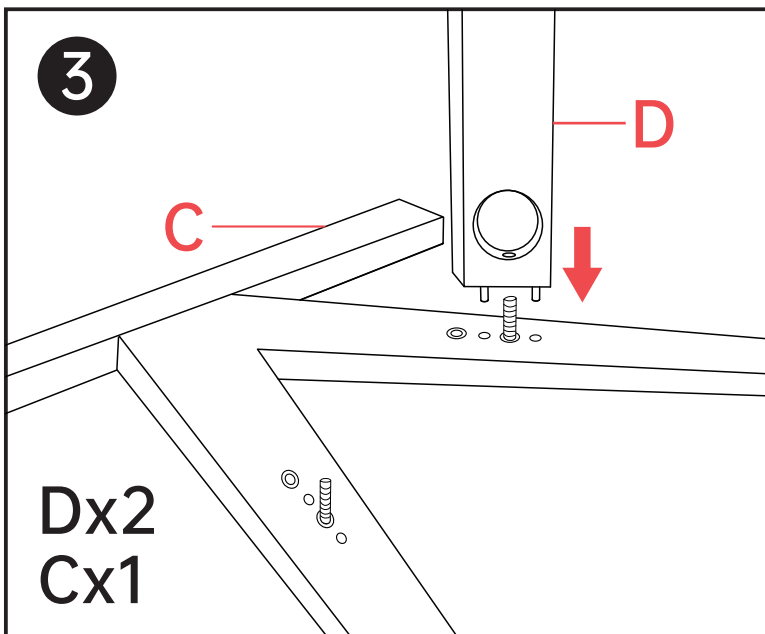
1



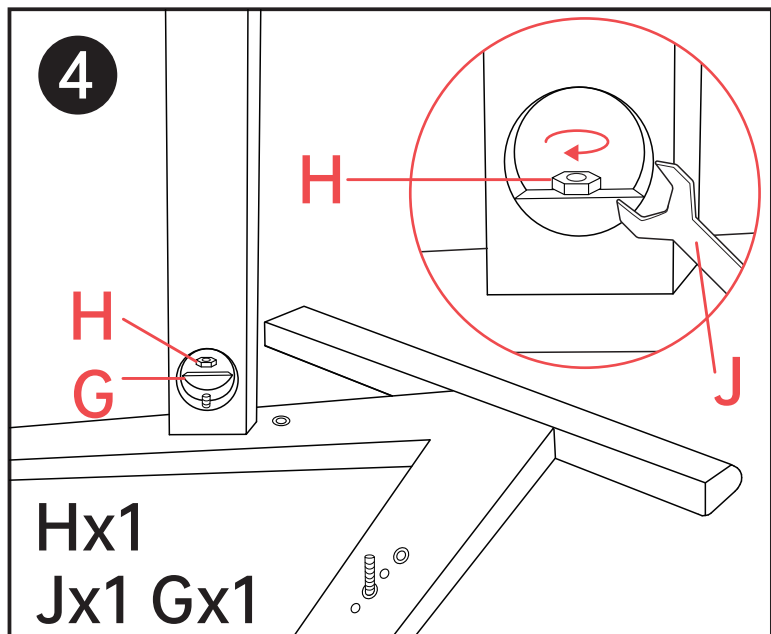
2

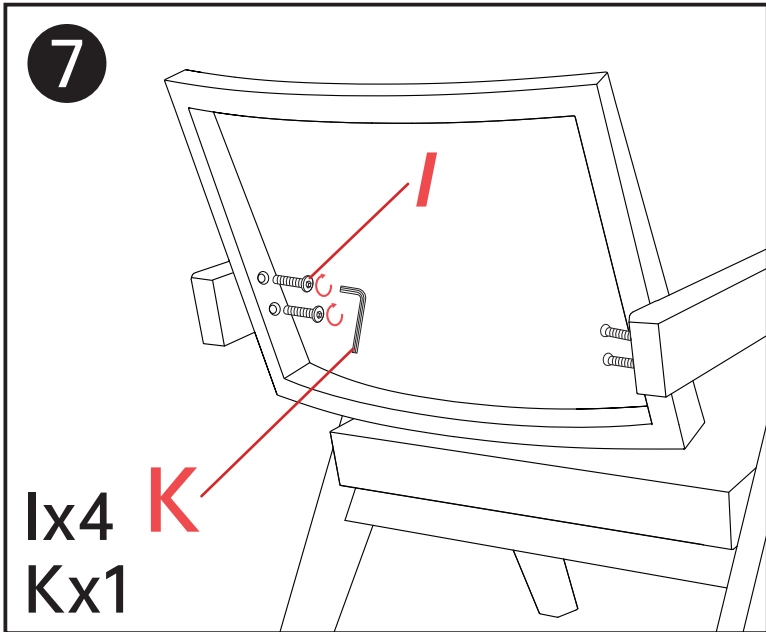
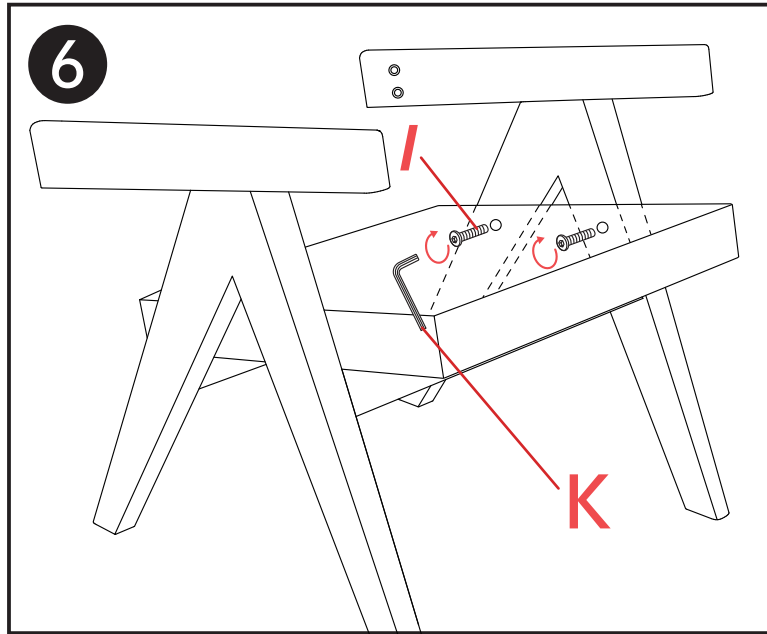
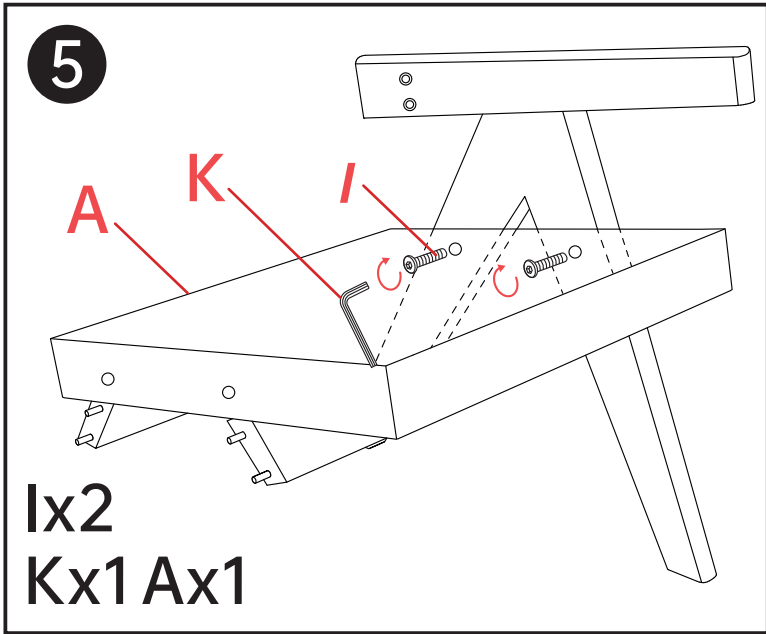


3



4





**8**

Confirm that all screws have been tightened, and the installation is completed