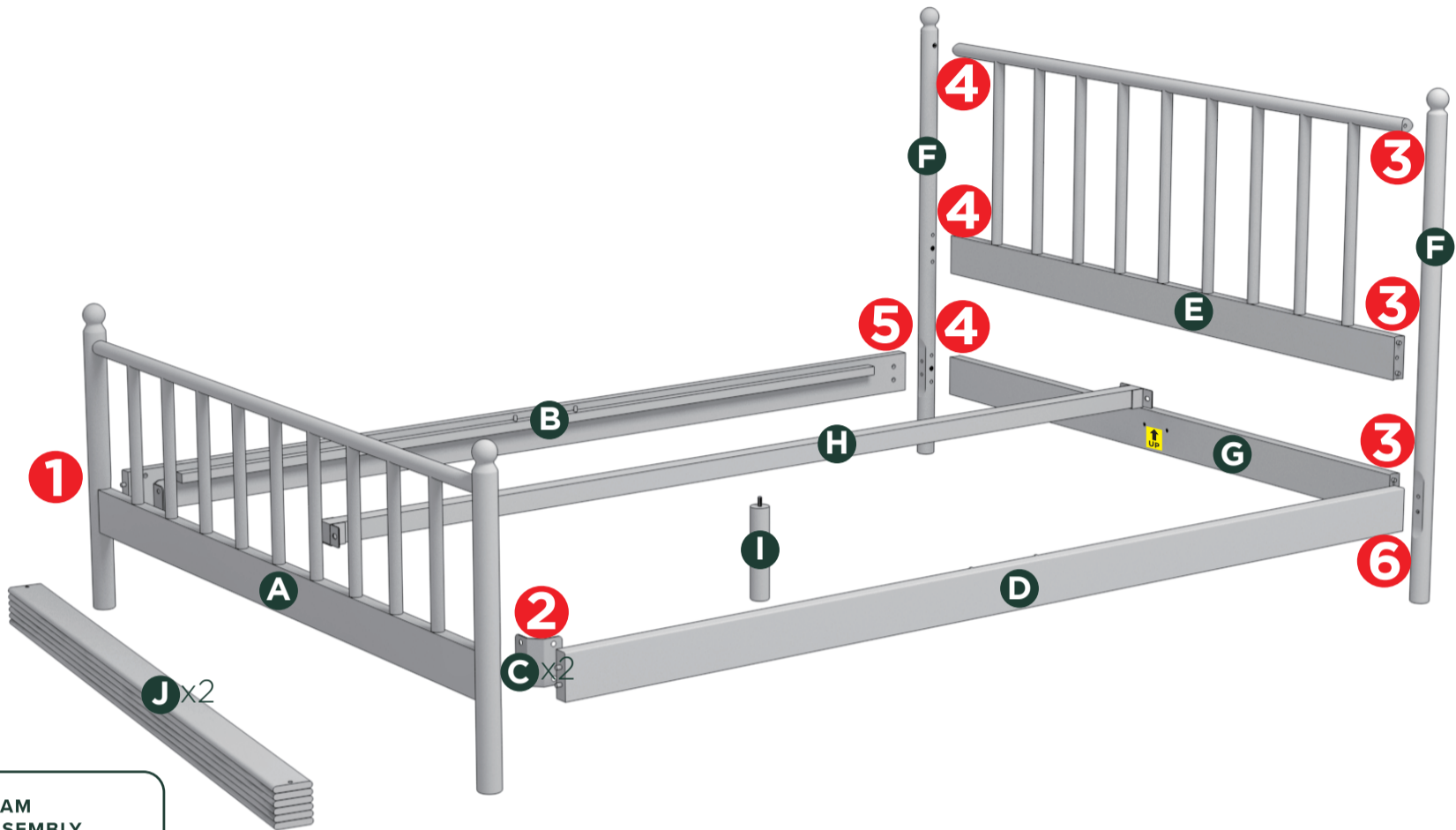
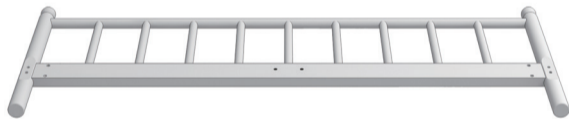



















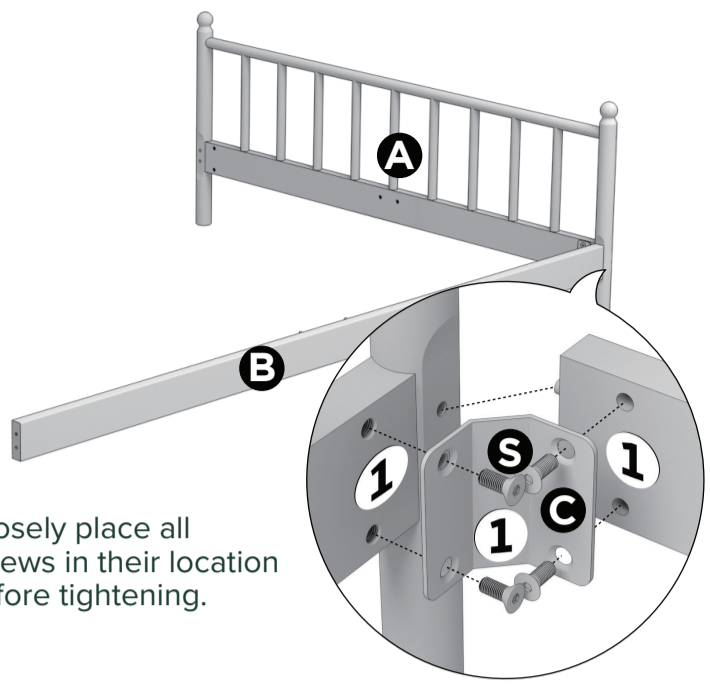
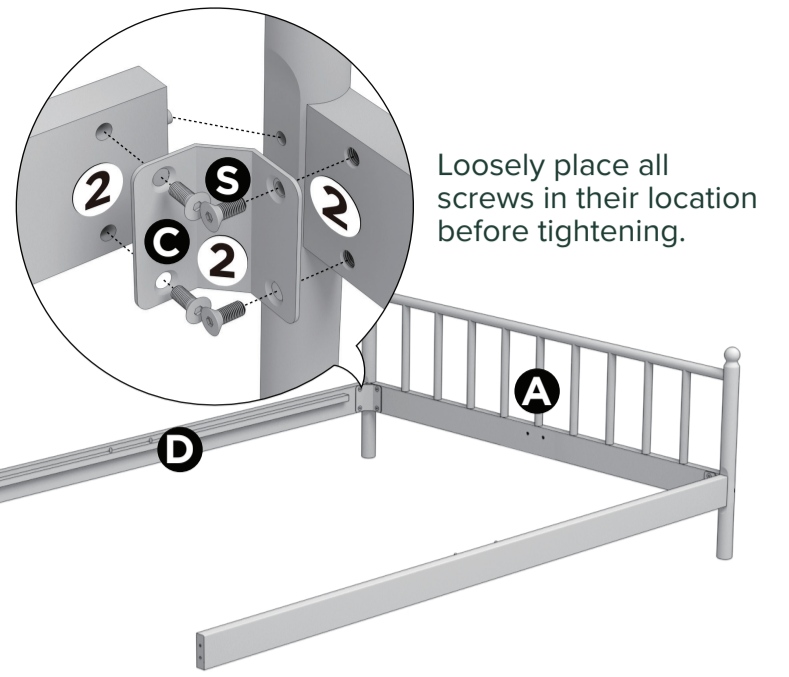
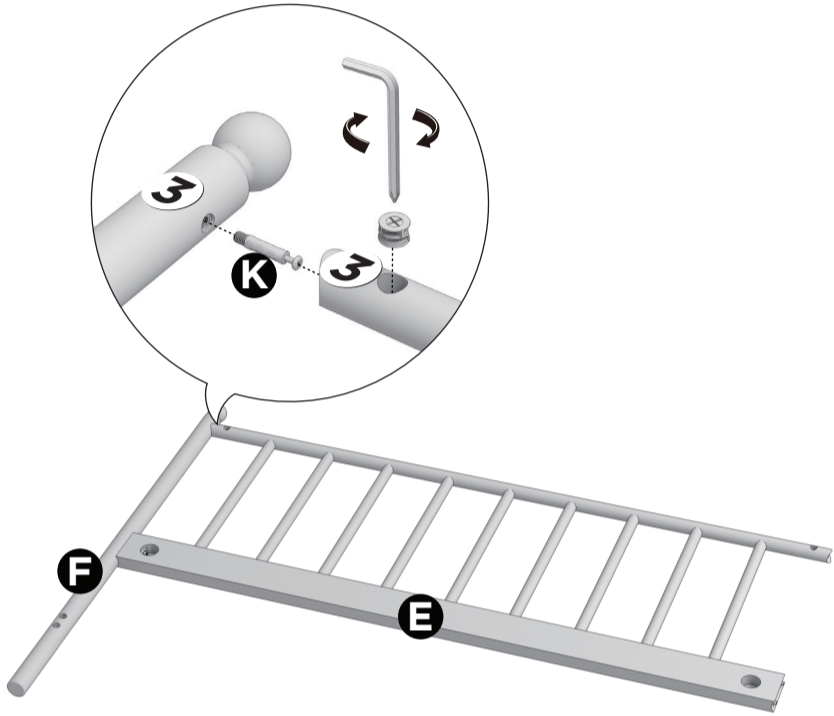
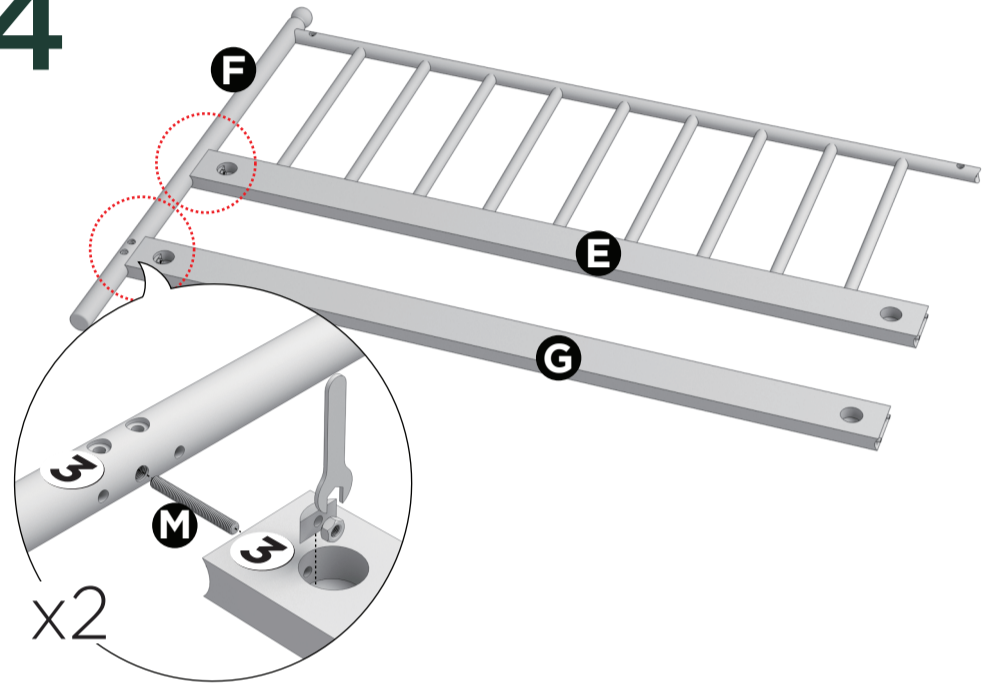
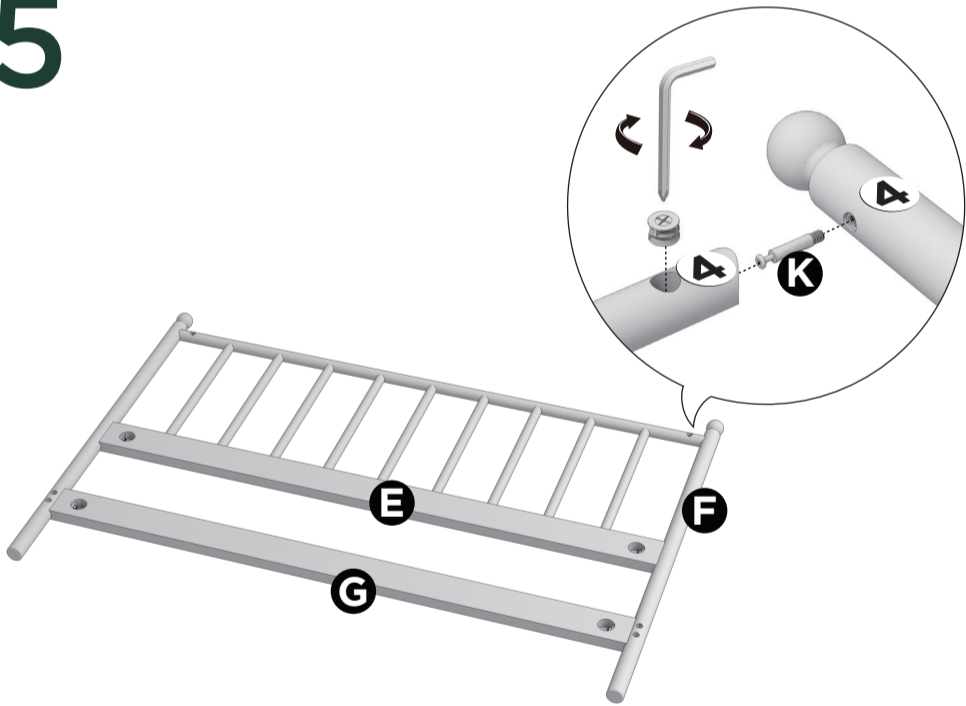
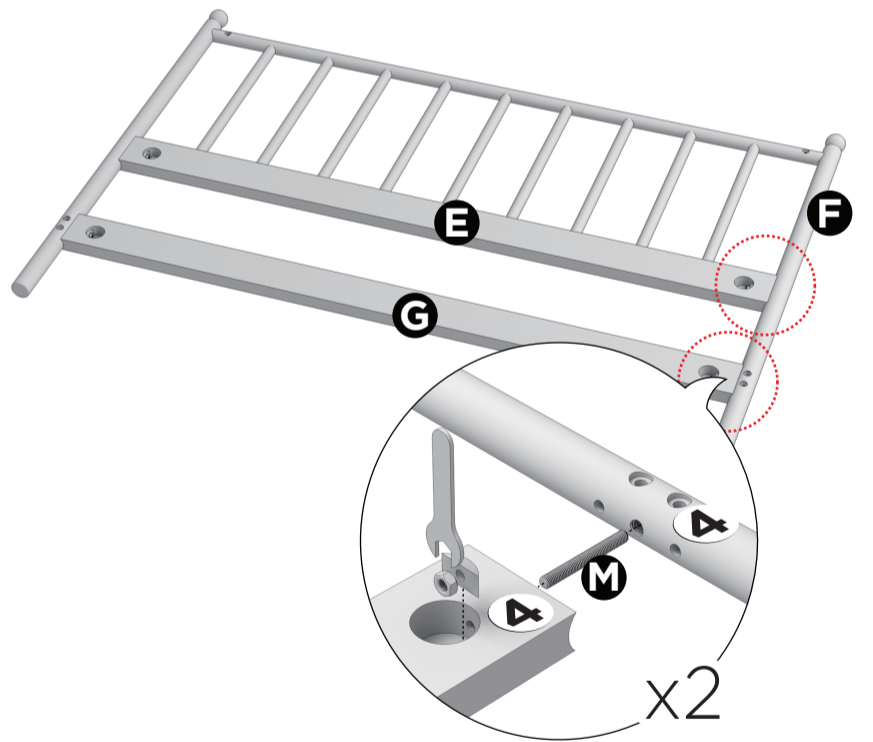
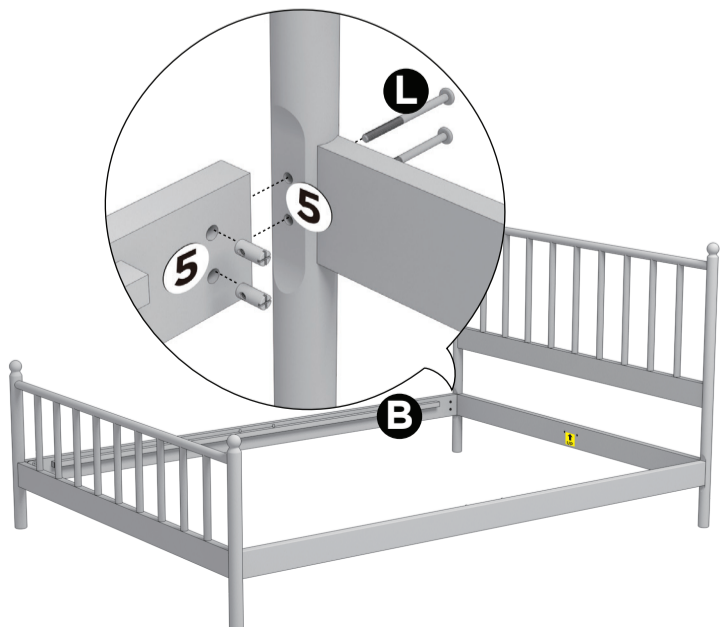
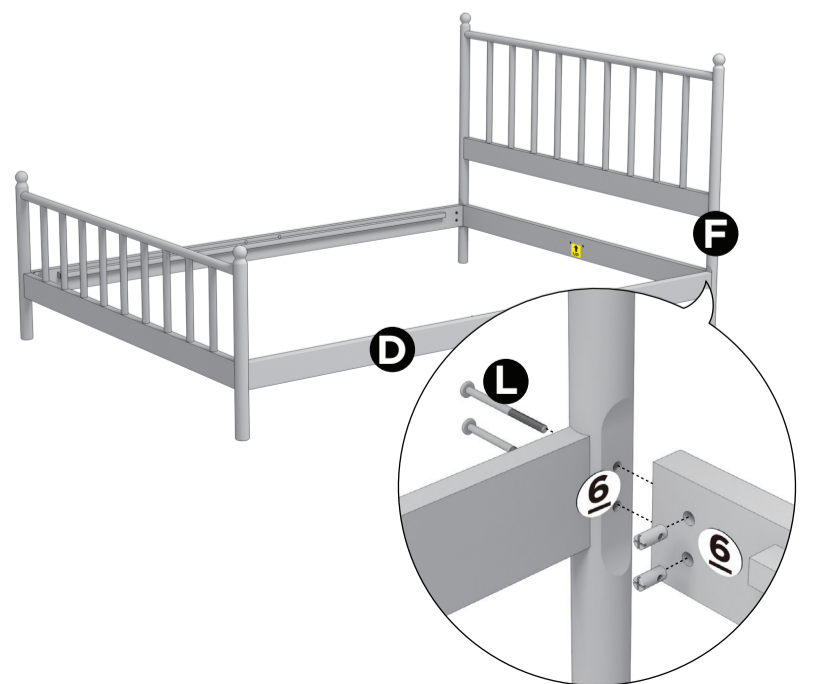
# Assembly Instruction

Numbers must Match for Secure Assembly

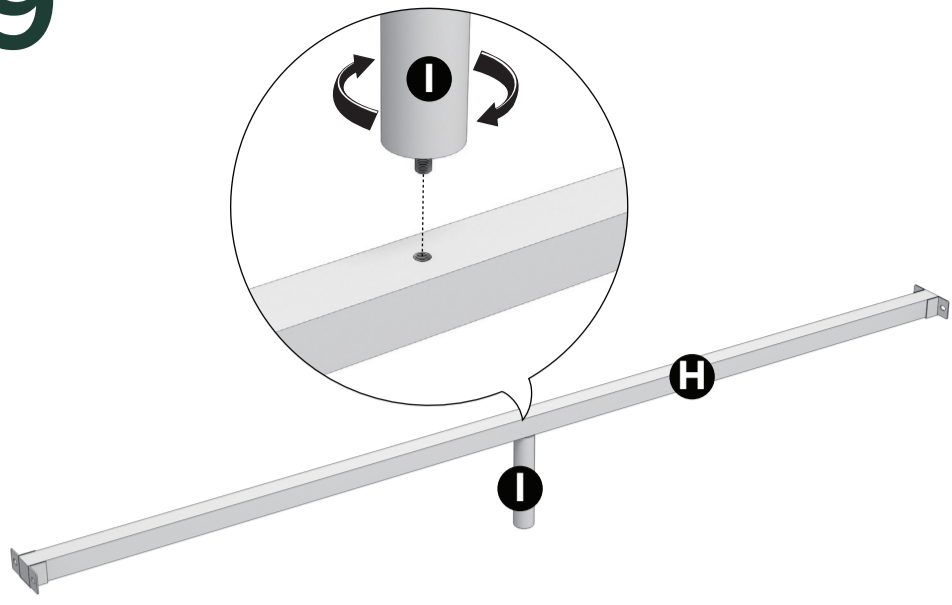


## Components

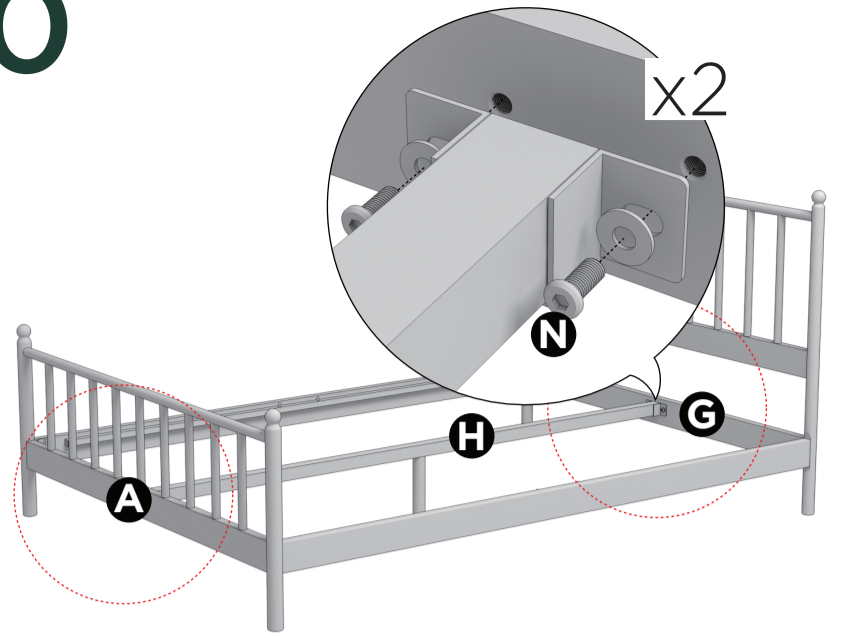
-  ..... **A** x1pc
-  ..... **B** x1pc
-  ..... **C** x2pcs
-  ..... **D** x1pc
-  ..... **E** x1pc
-  ..... **F** x1set
-  ..... **G** x1pc
-  ..... **H** x1pc
-  ..... **I** x1pc
-  ..... **J** x2sets
-  ..... **K** x2pcs
-  ..... **L** x4pcs
-  ..... **M** x4pcs
-  ..... **N** x4pcs
-  ..... **S** x8pcs
-  ..... x4pcs
-  ..... x1pc
-  ..... x1pc

**1****2****3****4****5****6****7****8**

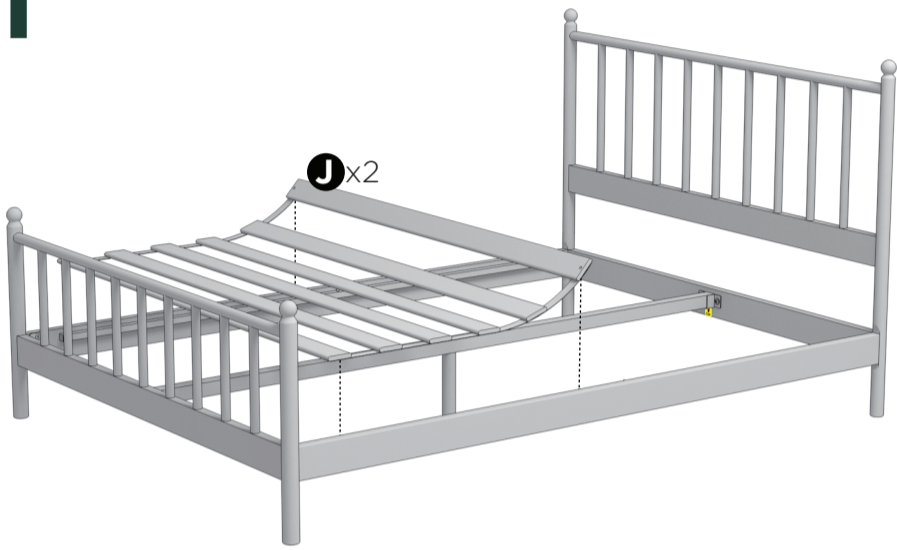
9



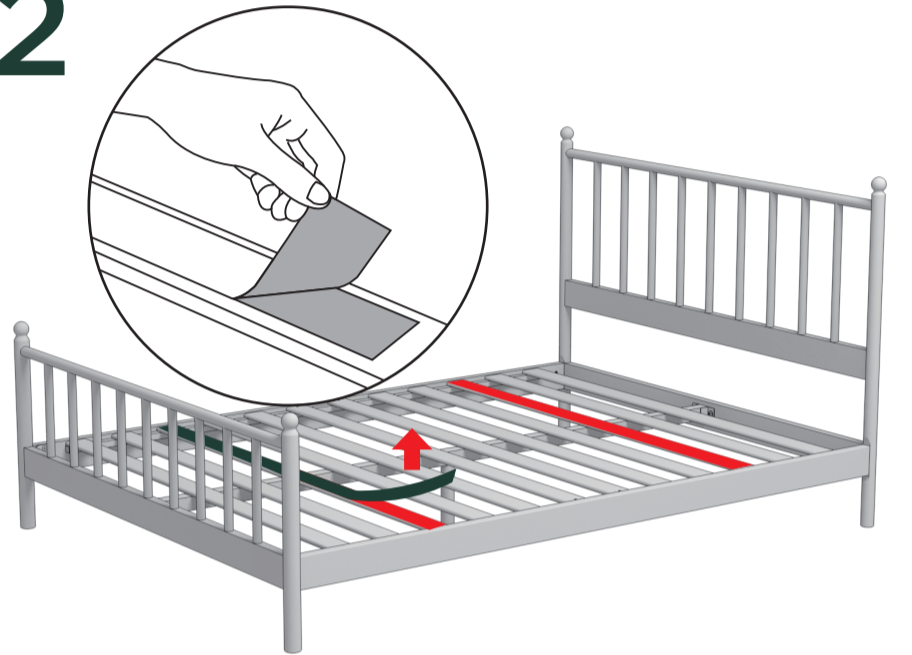
10



11



12



13

