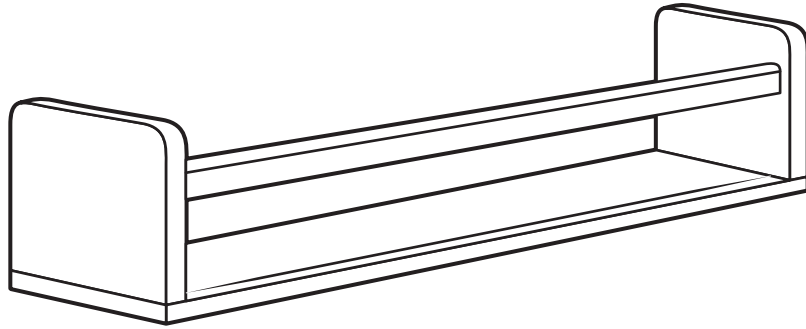


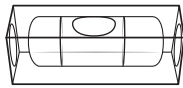
Shelf Assembly

WARNING: Please do not mount this item above cribs, beds or changing tables.



Hardware included

As a courtesy, we have included basic drywall anchors and screws for your convenience. We recommend mounting this product on wall studs for a more secure installation. When mounting on wall studs, you will NOT need to use the included anchors, as they will not be necessary; the included screws will be sufficient. When mounting on hollow spaces on walls, make sure to use the included anchor and screws together.



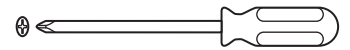
Mini level

2x  Drywall anchor

Tools needed

 Allen key [A]

4x  Assembly Screw

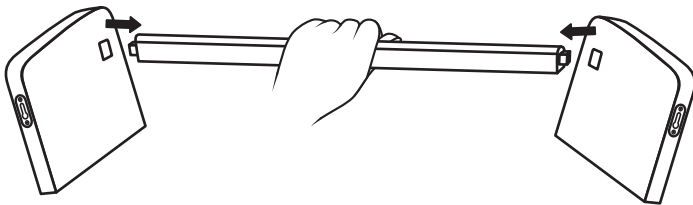


 Allen key [B]

2x  Screw

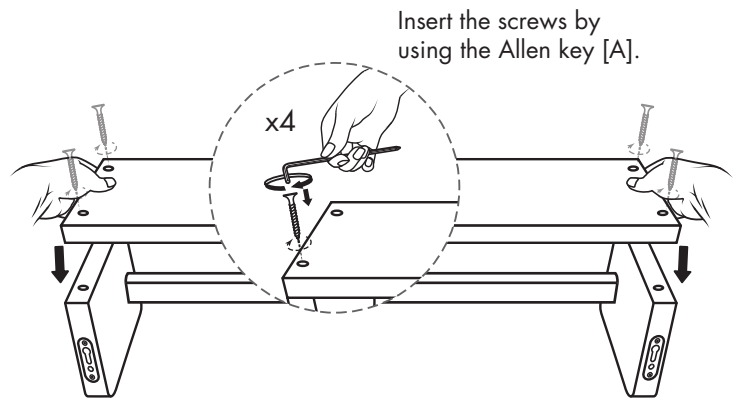


STEP 1



Take the sides of wooden frame piece and insert in the corners of the horizontal wooden rod.

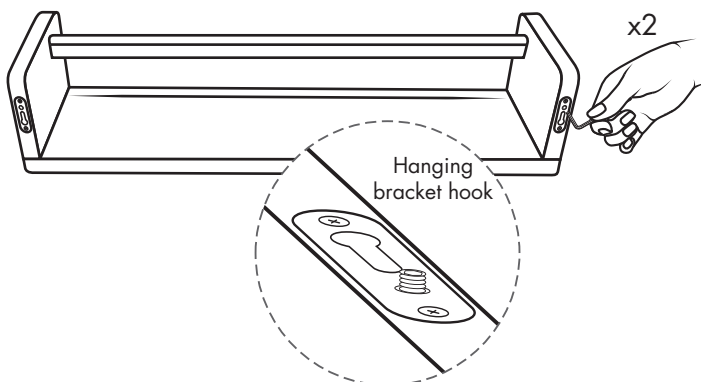
STEP 2



Insert the screws by using the Allen key [A].

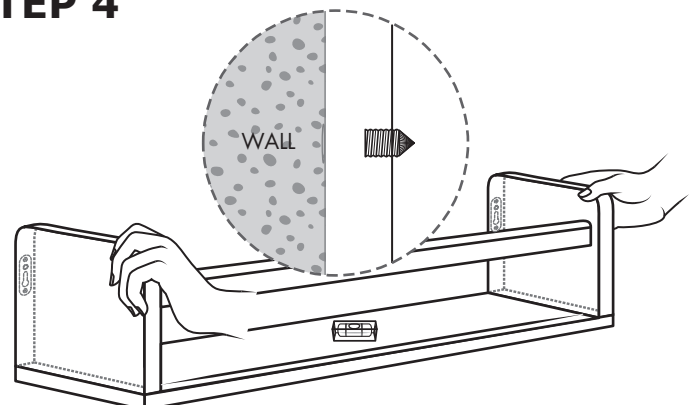
Invert the jointed wooden frame and place the bottom wooden sheet by matching the screw holes in it.

STEP 3



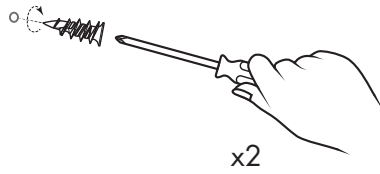
Hold the shelf and turn screws off for both side from hanging bracket hook by using Allen key [B]. (Screws should stick out enough to make marks on the wall as shown in the diagram).

STEP 4



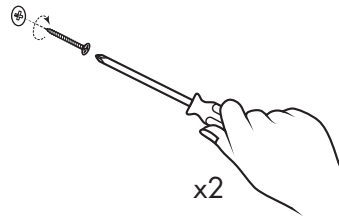
Place shelf at desired horizontal position on the wall by using Mini level and press the shelf towards wall, then the two marking screws on bracket will make accurate mark on the wall. (Turn the marking screws back after the marking is complete for future use).

STEP 5

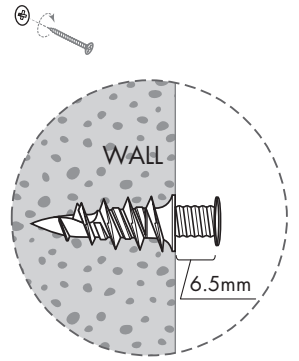


Screw anchors into the marked locations and tighten them until anchors are flushed with the wall

STEP 6



Insert screws into anchors, leave some 1/4" out



STEP 7

Hang the shelf on the wall

