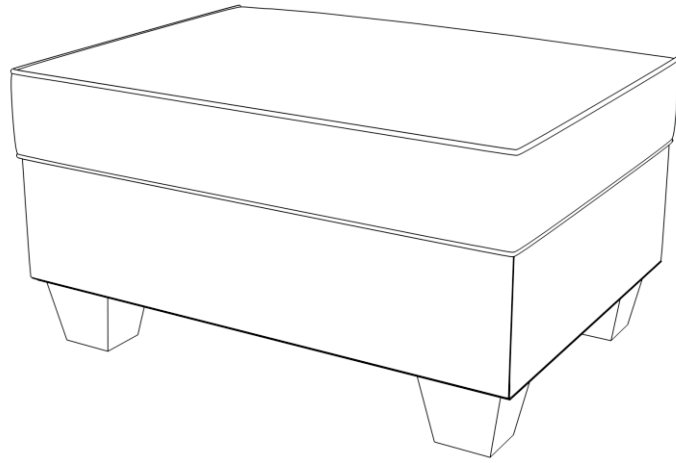
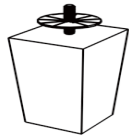
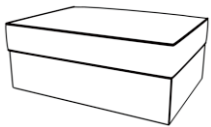


ASSEMBLY INSTRUCTION



PARTS LIST



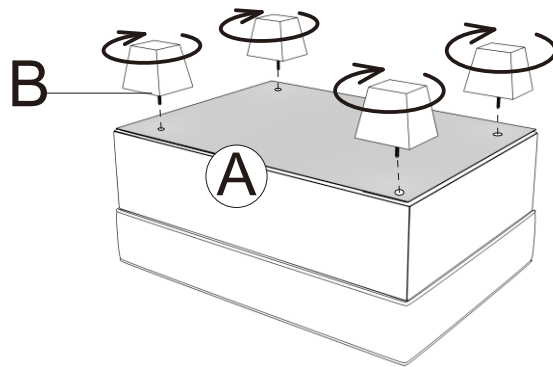
A

x1

B

x4

Step1



Step2

