







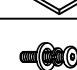


CARE AND MAINTENANCE

Wipe clean with a soft, dry cloth. The seat board can be cleaned with a mild cleaner. Test the cleaning method on a hidden area before using them over the entire area.

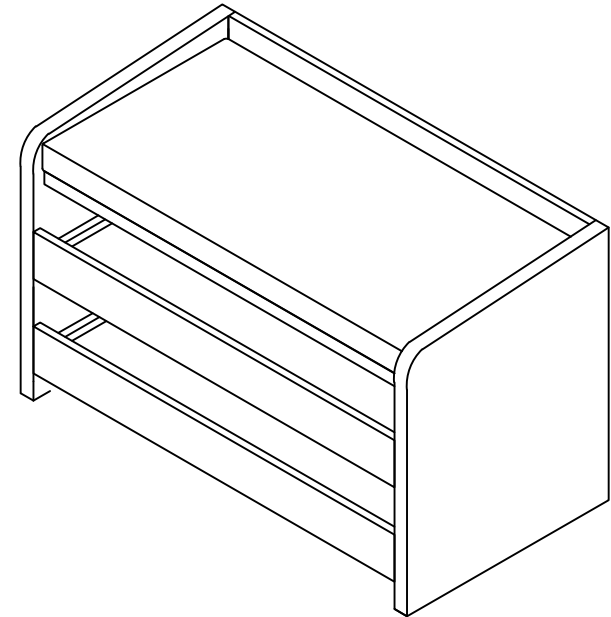
NOTICE

- * Please make sure that you have all parts indicated before you begin assembly of this item.
- * This item should be assembled on a soft surface to prevent scratching the finished product during assembly.
- * This item may require periodic tightening.
- * Do not tighten bolts until completely assembled.

Part List and Hardware List

Piece	Description	Picture	Quantity
A	LEFT PANEL		1 X
B	RIGHT PANEL		1 X
C	BACK PANEL		1 X
D	SEAT BOARD		1 X
E	TRESTLE		1 X
F	SLIDING SHELF		2 X
G	CUSHION		1 X
HW1	HEX SOCKET BOLT 1/4"-20 * 1-3/4"		14 X
HW2	ALLEN KEY 4mm		1 X

Product Dimensions: 33-3/4"W*17-1/2D*20-5/8"H.



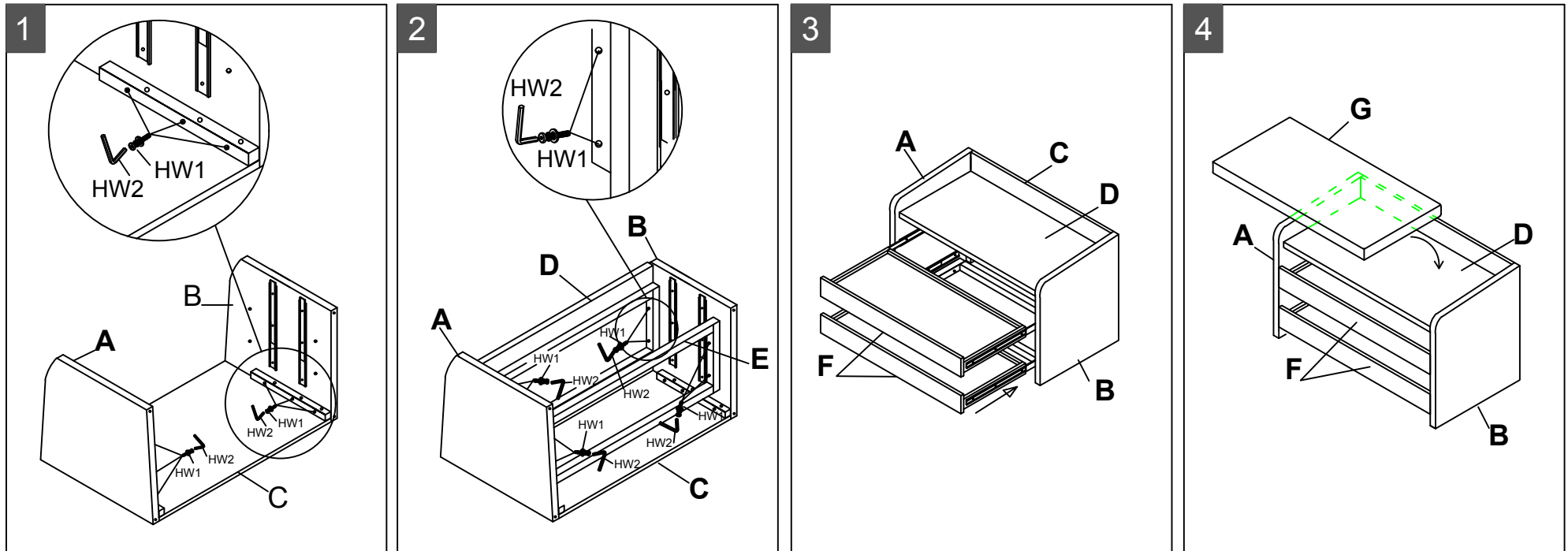
Weight Capacity : 550 lbs
Warning : Do not stand on the product
Warning : Do not over torque bolts

PREPARATION

Before beginning assembly of product, make sure all parts are present. Compare parts with package contents list and hardware contents list. If any part is missing or damaged, do not attempt to assemble the product.

Estimated Assembly Time: 15 minutes.

Tools Required for Assembly (included): Allen key.



Step 1:

Lay flat the Back Panel (C)***The side with the reinforcement is facing up***, then attach the Left Panel (A) and Right Panel (B) to the Back Panel (C) and aligning screw holes. Using Allen Key (HW2) to lock with 6*Hex Socket Bolts (HW1).

Step 2:

Attach the Seat Board (D)***The side with frame is facing down*** and Trestle (E) in the corresponding position on the assembled wood frame (as step 1), Using Allen Key (HW2) to lock with 8*Hex Socket Bolts (HW1), as picture.

Step 3:

Straighten up the assembled one, Insert the 2*Sliding Shelves(F) into the metal glide rails respectively, then pushed back to the product, as picture.

Step 4:

Put the Cushion (G) on the assembled product and the assembly is completed.