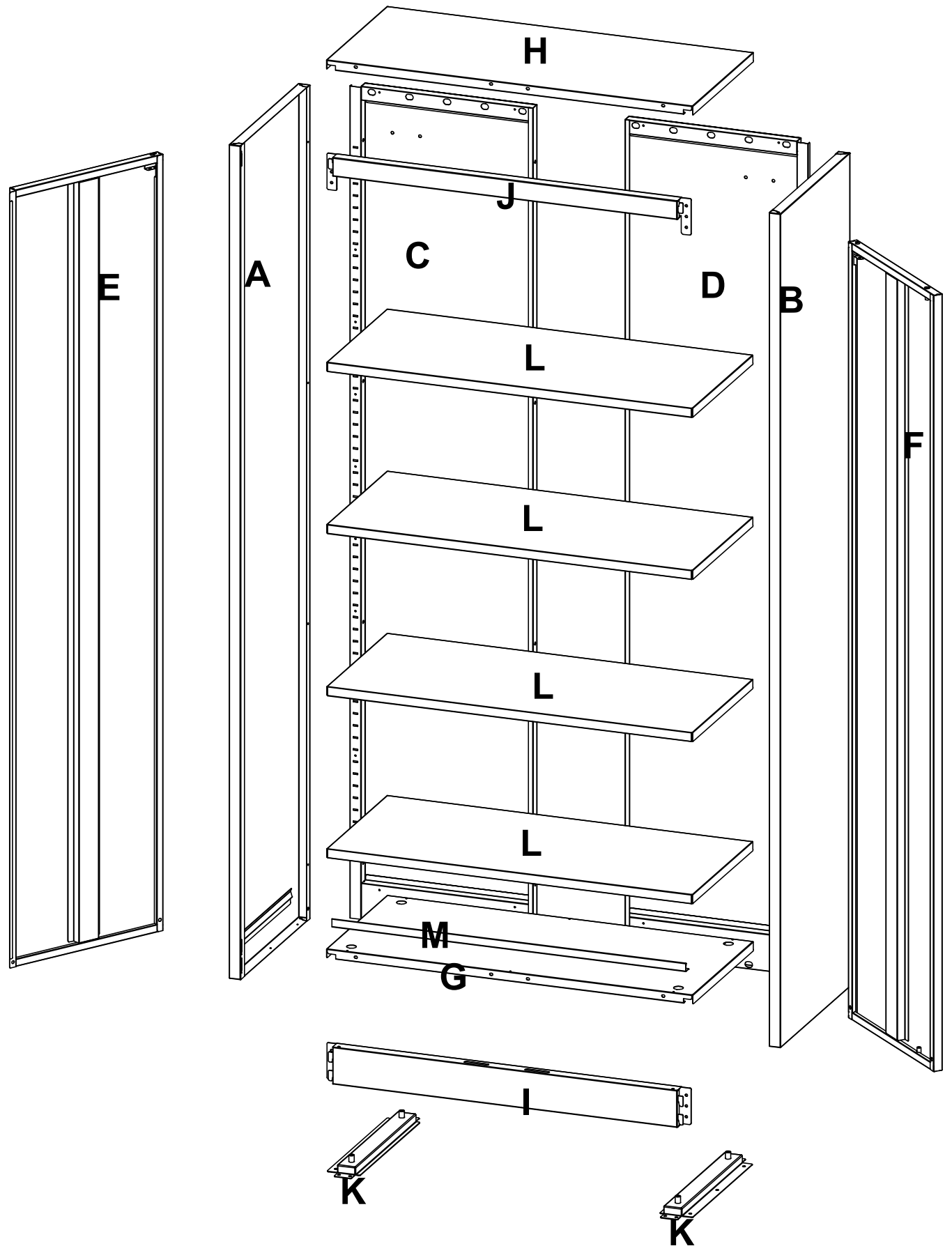


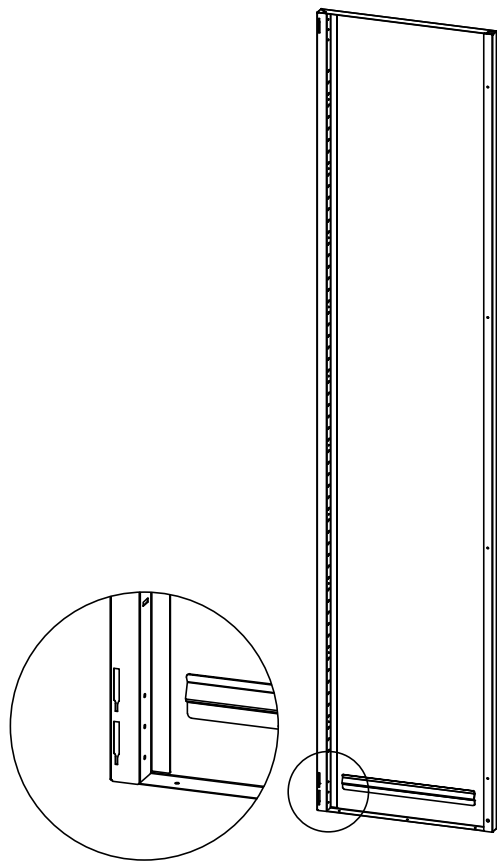
file cabinet

Installation & Assembly

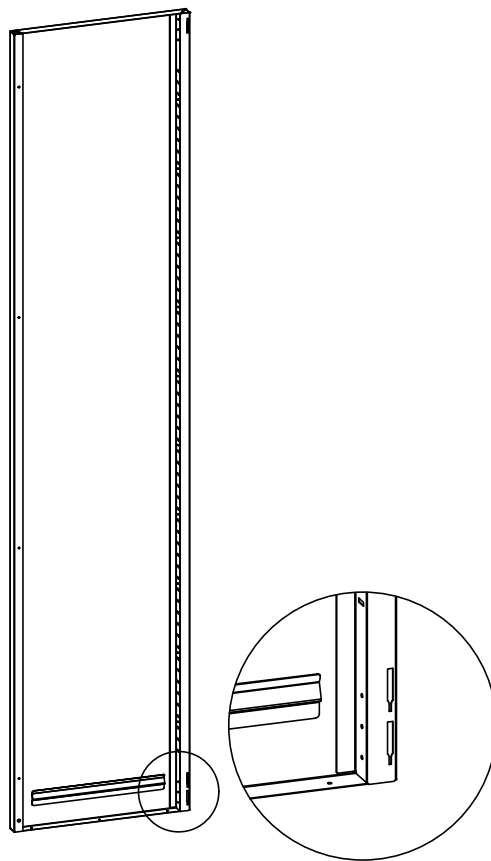




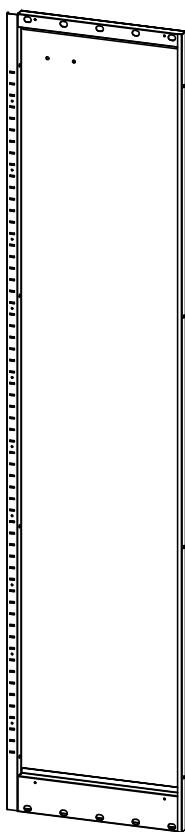
A Left side panel 1PC



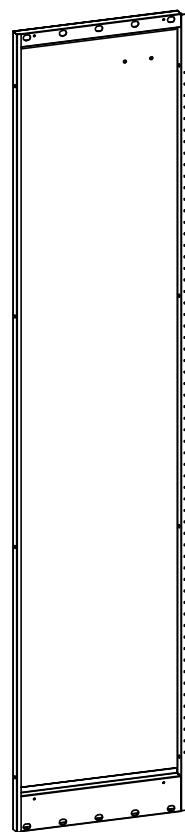
B Right side panel 1PC

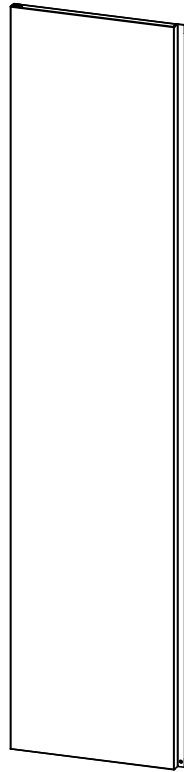
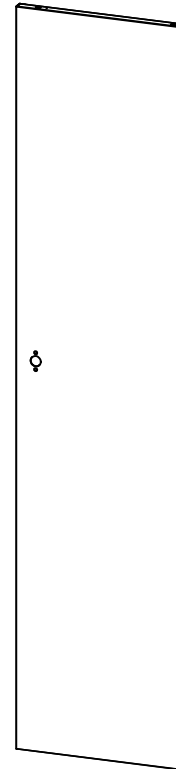
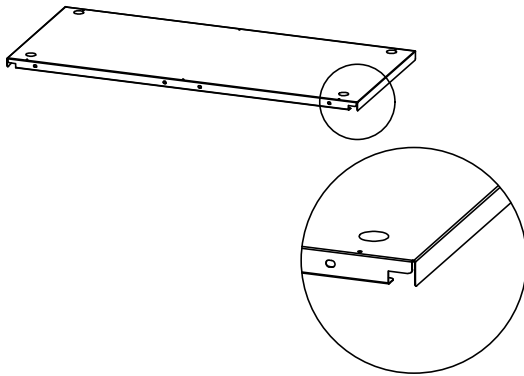
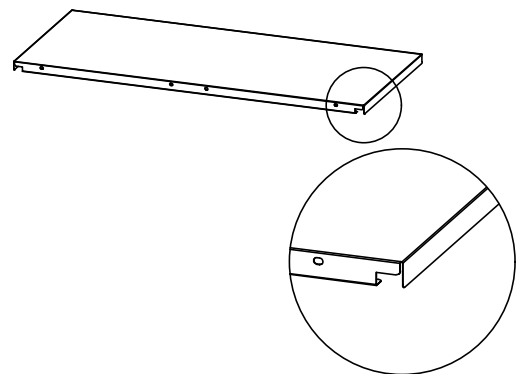
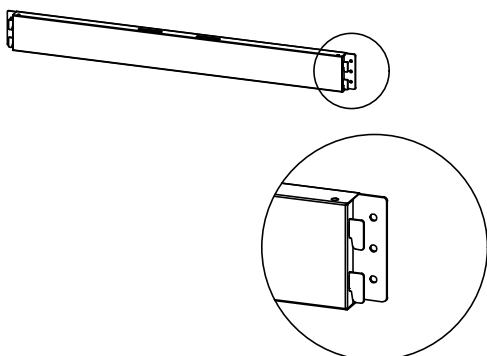
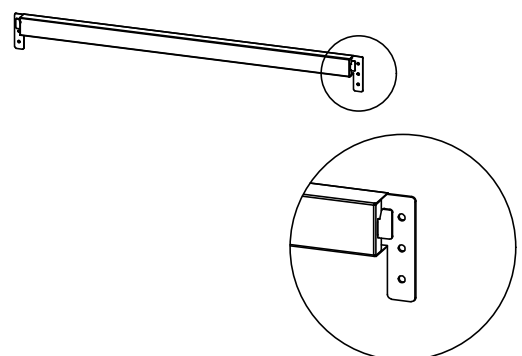


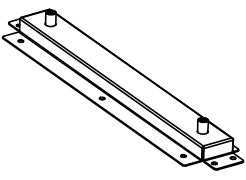
C Left back panel 1PC

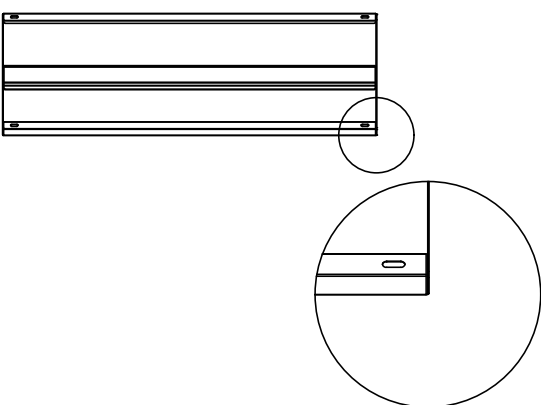


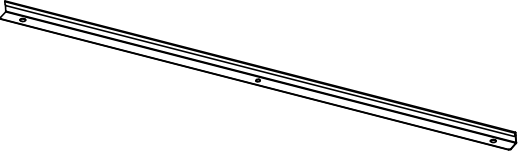
D Right back panel 1PC

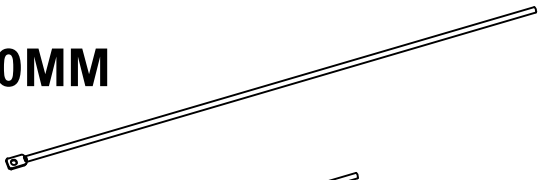
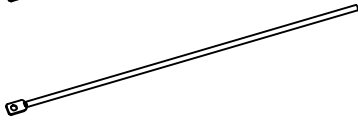


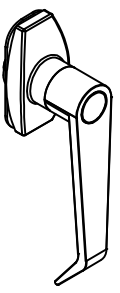
E**Left door****1PC****F****Right door****1PC****G****Bottom panel****1PC****H****Top panel****1PC****I****Kick plate****1PC****J****Top plate****1PC**

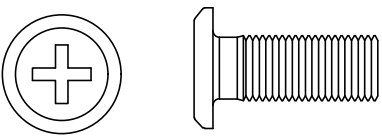
K	Base	2PCS
		

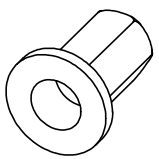
L	Shelf	4PCS
		


M	Bottom face	1PC
		

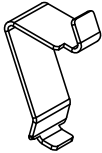

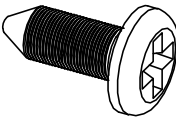


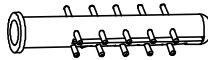
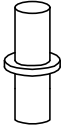


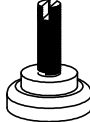
N	Lock rod	2PCS
<p>990MM</p>  <p>690MM</p> 		

O	Lock	1PC
		

P	4PCS
<div style="border: 1px solid black; padding: 2px; display: inline-block;"> $\phi 5\text{mm} \times L12\text{mm}$ </div>	
	

Q	Nut	4PCS
<div style="border: 1px solid black; padding: 2px; display: inline-block;"> $\phi 5\text{mm} \times L12\text{mm}$ </div>		
		

R	Spring shaft	2PCS
		
<p>Already pre-installed on the doors</p>		

S	Shelf clasp	16PCS	T		53PCS
			$\phi 5\text{mm} \times L10\text{mm}$		
			 		
U	Lock rod sleeve	2PCS	V	Expansion screw	2PCS
			 		
<p>Already pre-installed on the doors</p>					
W	Door pivot	2PCS	X	Shim	2PCS
					
Y	Bottom panel cap	4PCS	Z	Foot	4PCS
					

CAUTION

An assistant is required

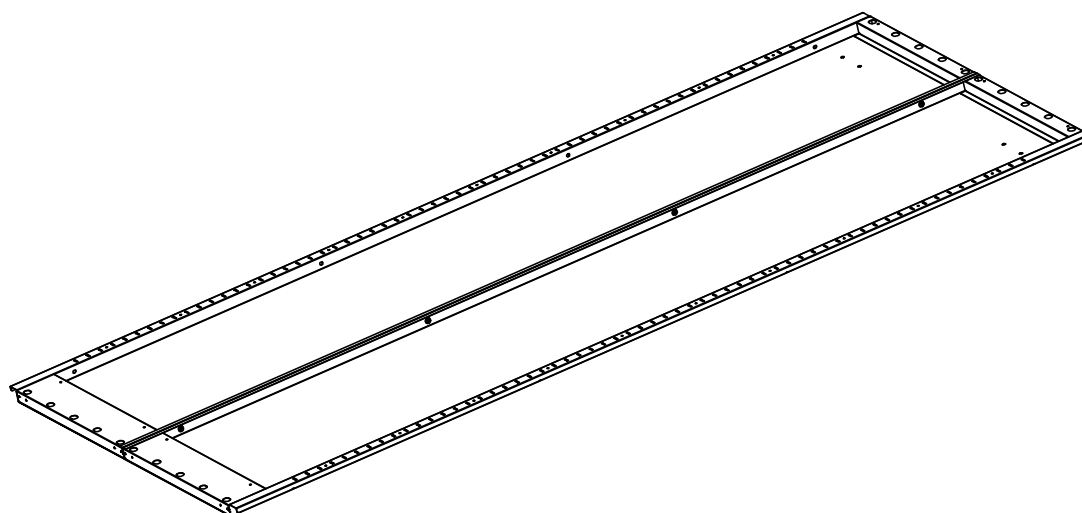
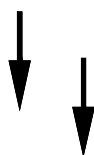
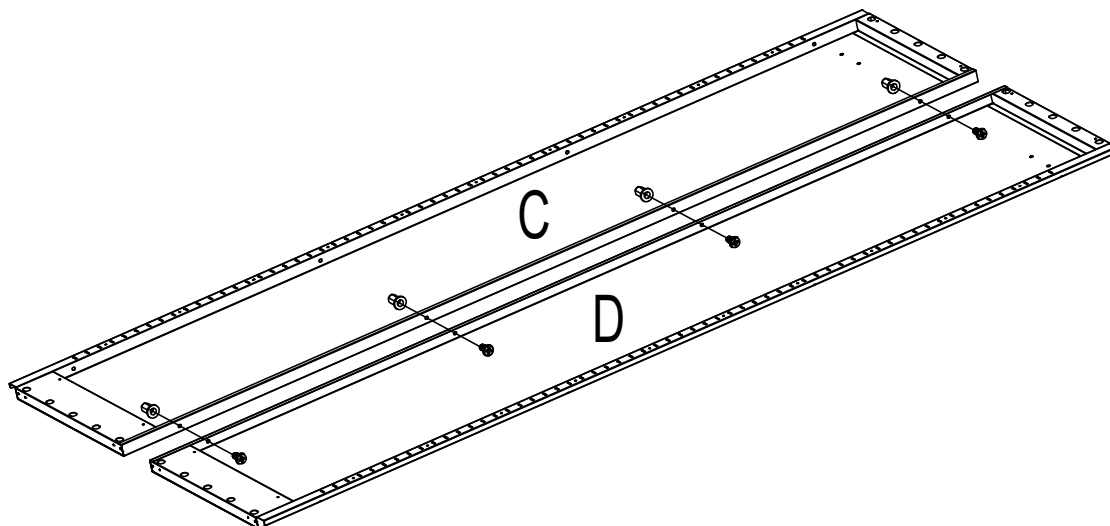
Please kindly note:



1. When opening the package, you may find 4 corners are equipped with 4 corner protectors. They are used to protect the products from getting damaged in transit, not used to assemble.

2. If there is any problem, please feel free to contact our customer service team and we are always here to assist with you!

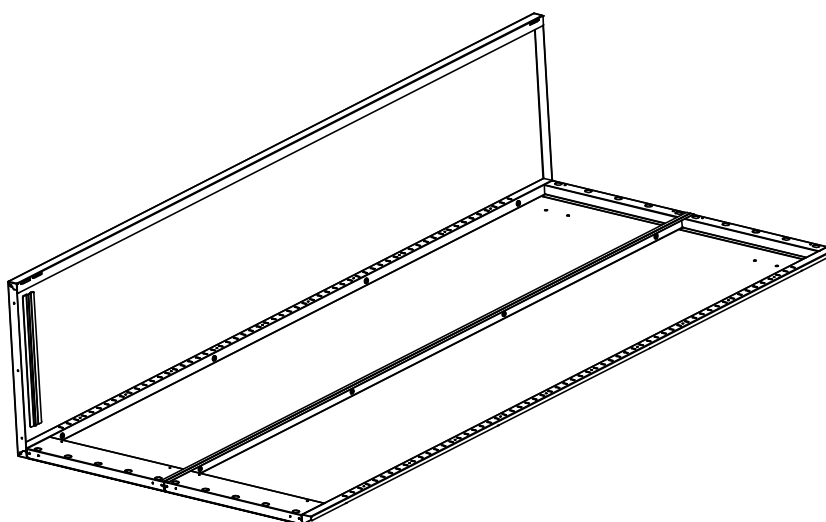
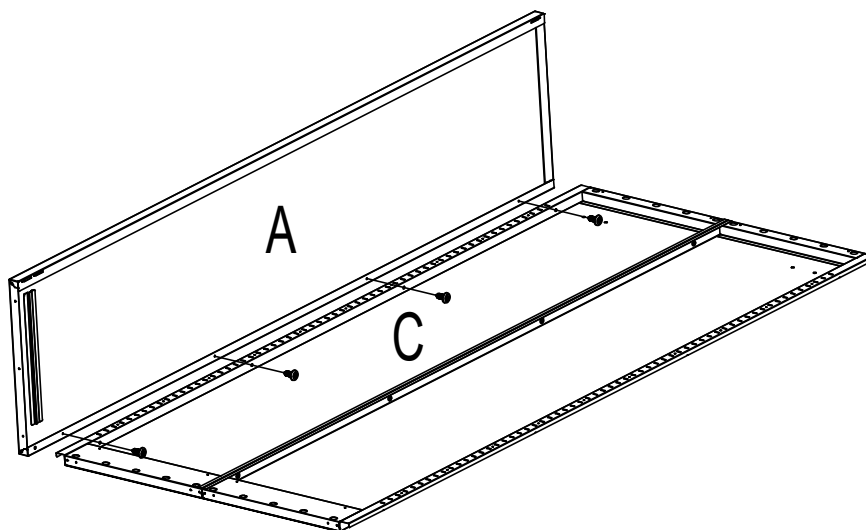
If there is any slight dent or damage, you can try to fix it by pliers or hammers.

Step 1: Connect left back panel C and right back panel D by screws P and nuts Q



P		4PCS	Q		4PCS
---	---	------	---	---	------

Step 2: Connect left side panel A to left back panel C by screws T

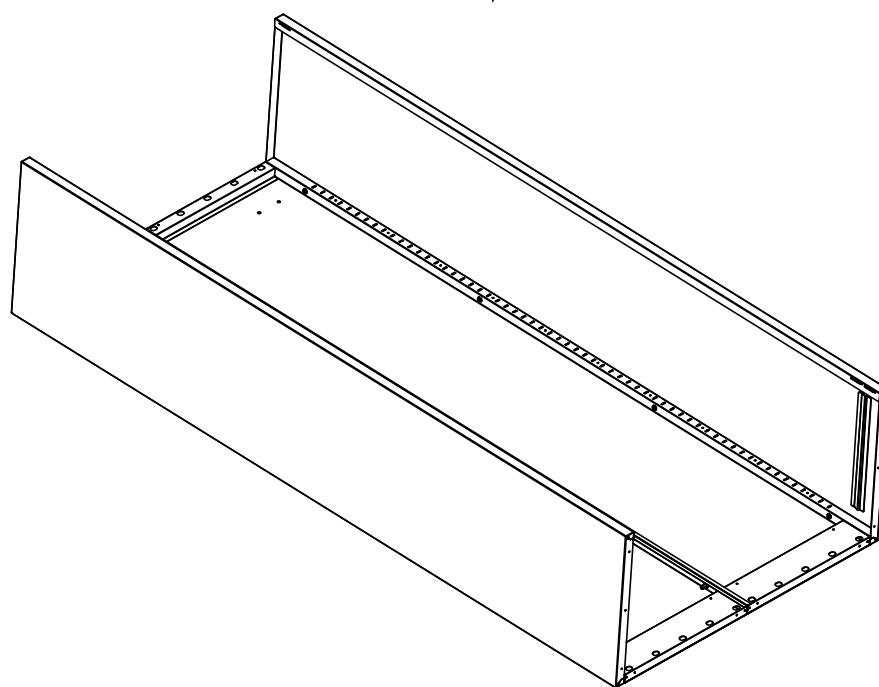
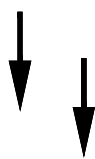
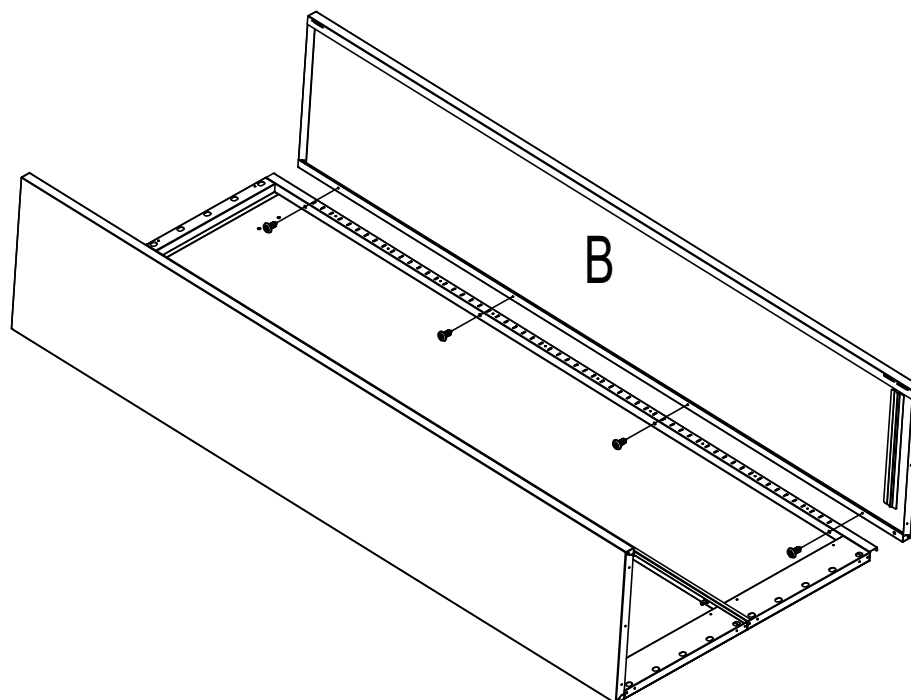




T



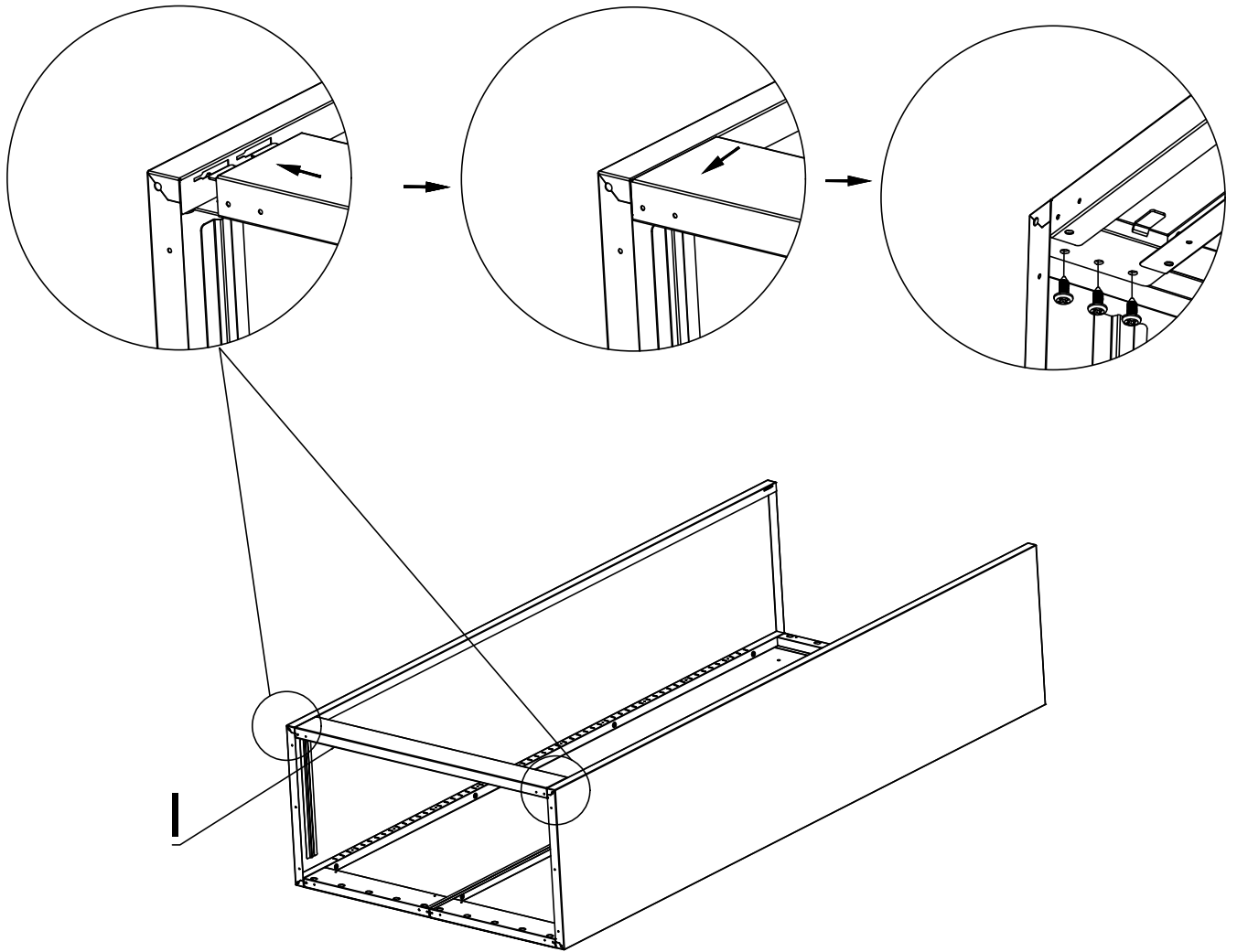
4PCS

Step 3: Connect right side panel B to right back panel D by screws T



T			4PCS
---	---	---	------

Step 4: Insert kick plate I on the bottom, press it downward, then fix it with screws T

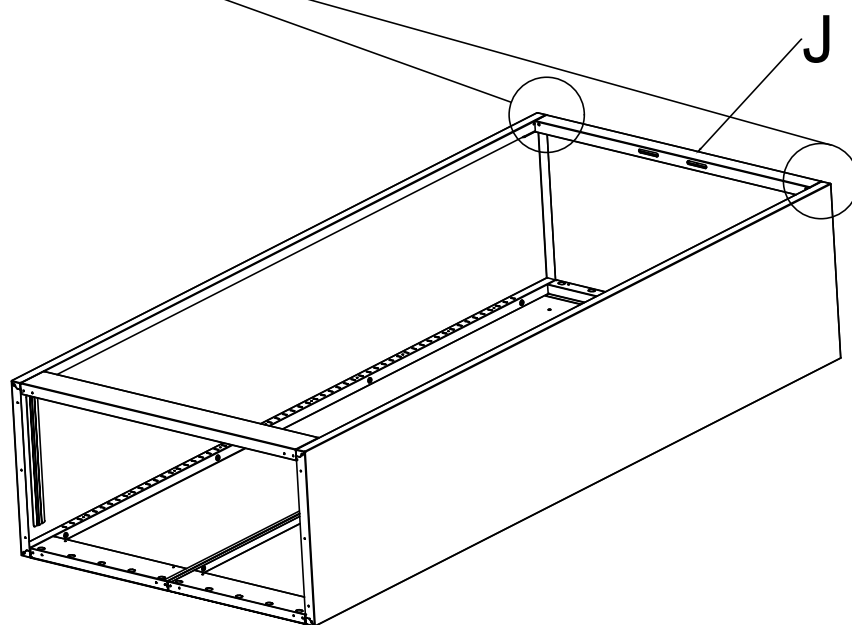
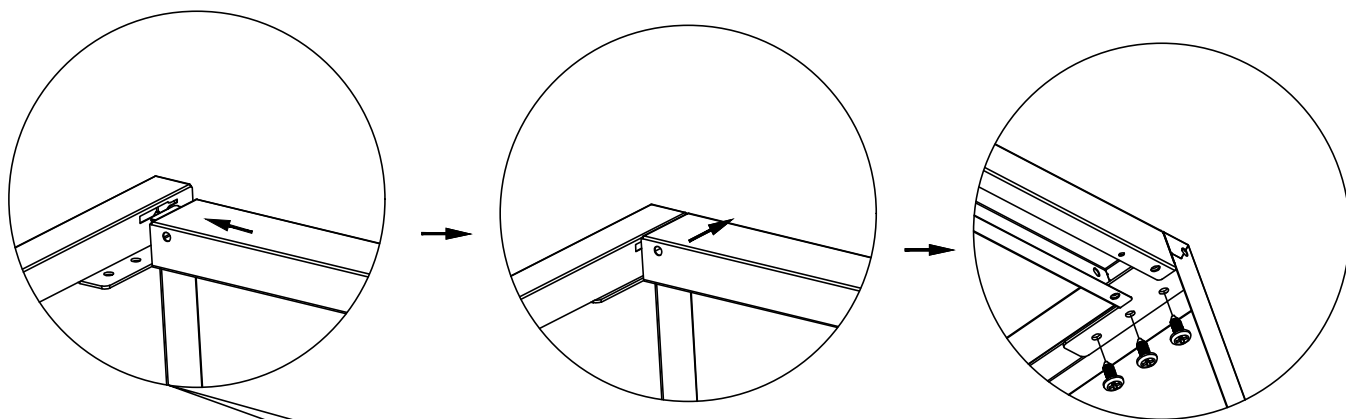




T



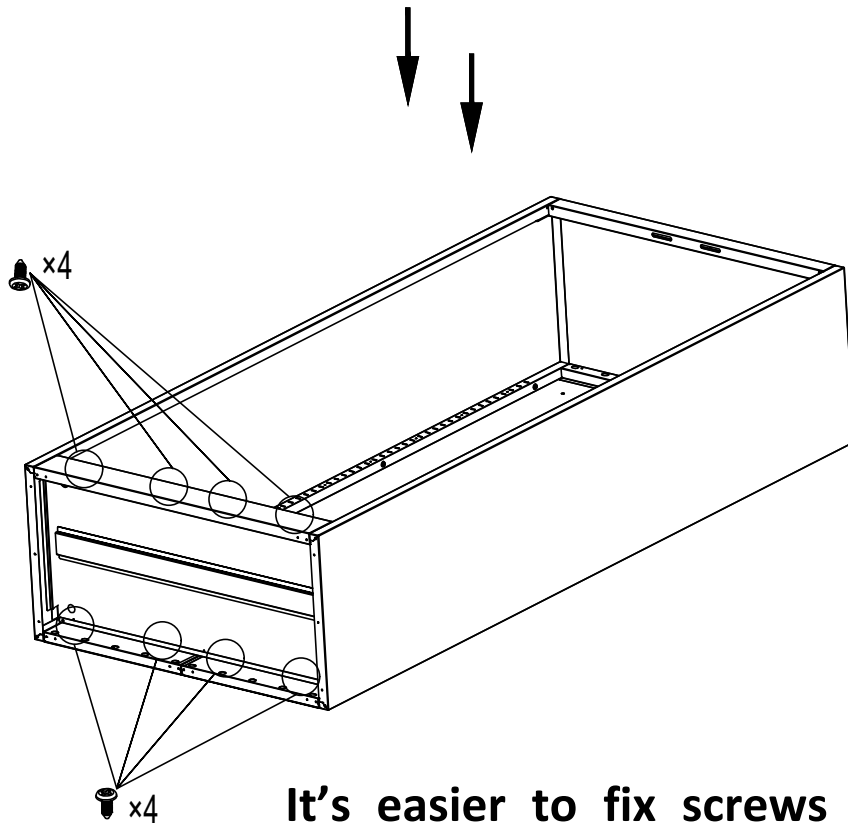
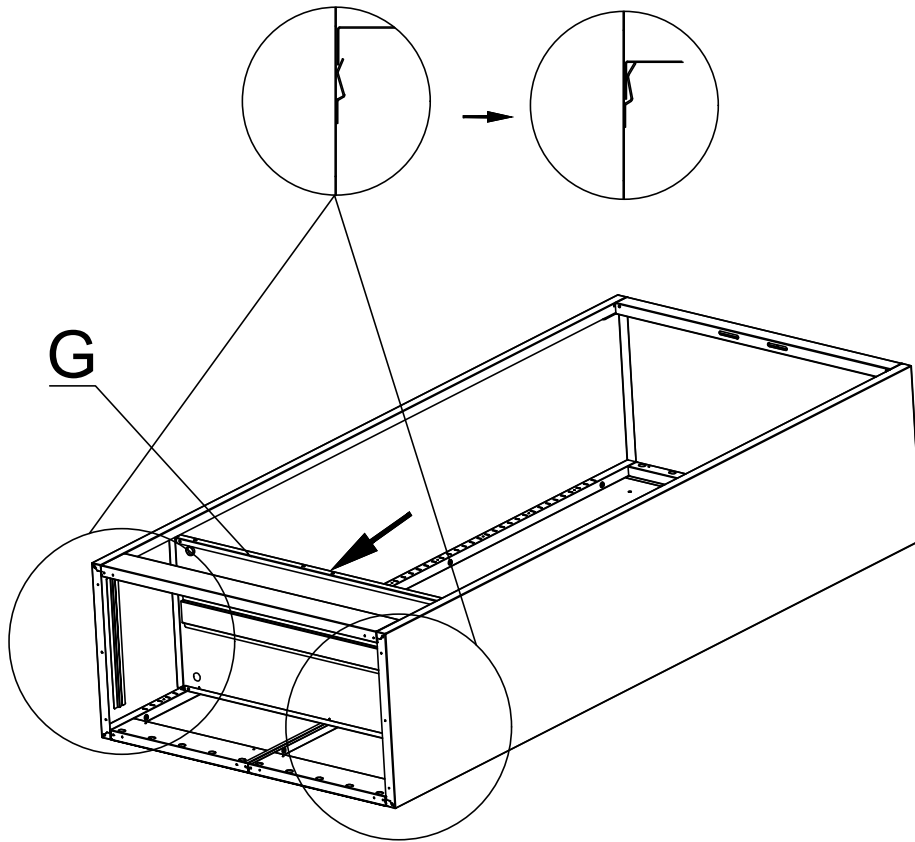
6PCS

Step 5: Insert top plate I on the top, press it upward, then fix it with screws T





T			6PCS
---	---	---	------

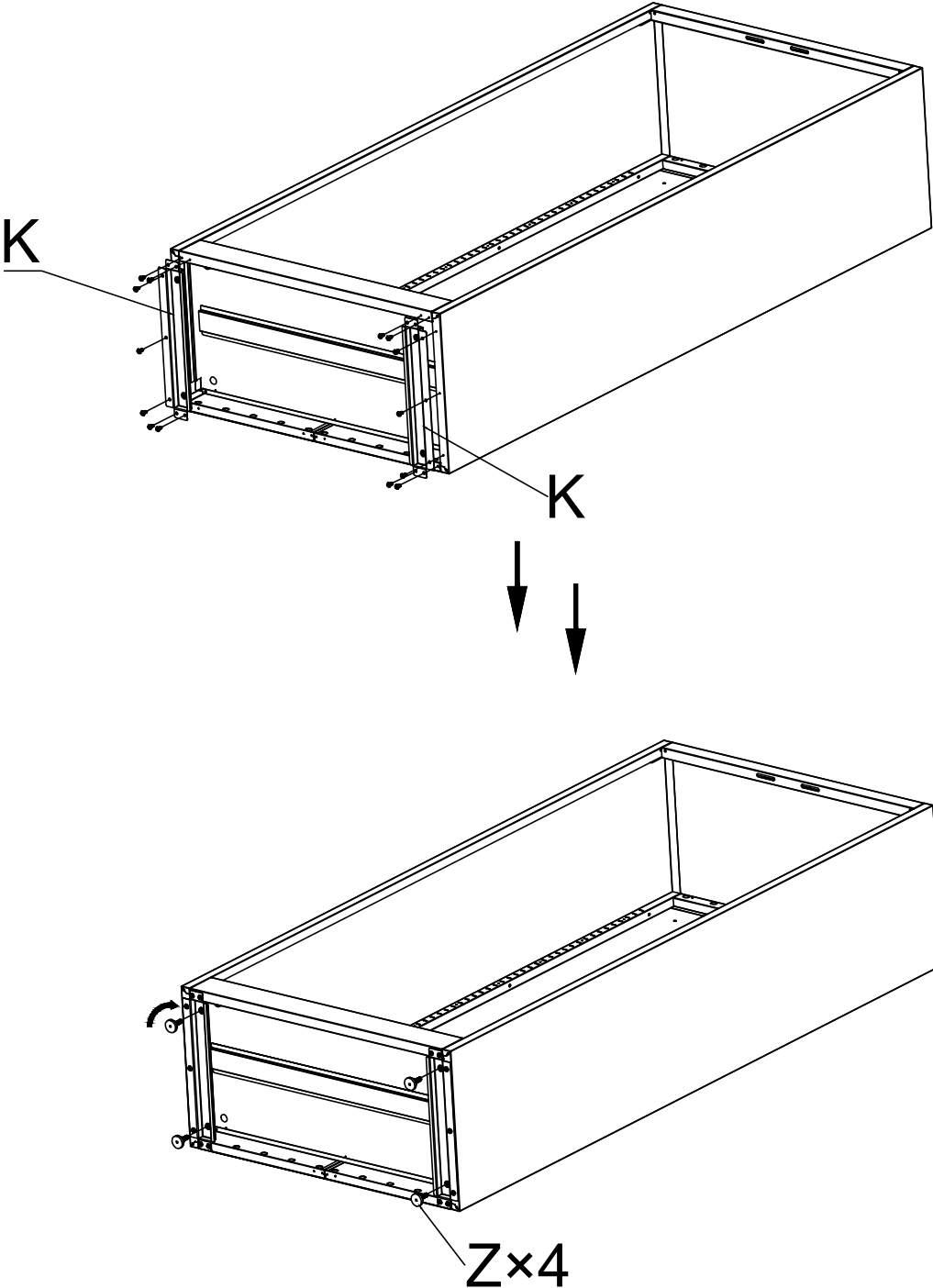
Step 6: Install the bottom panel G and fix it with screws T






It's easier to fix screws when back panels or side panels are put on the floor

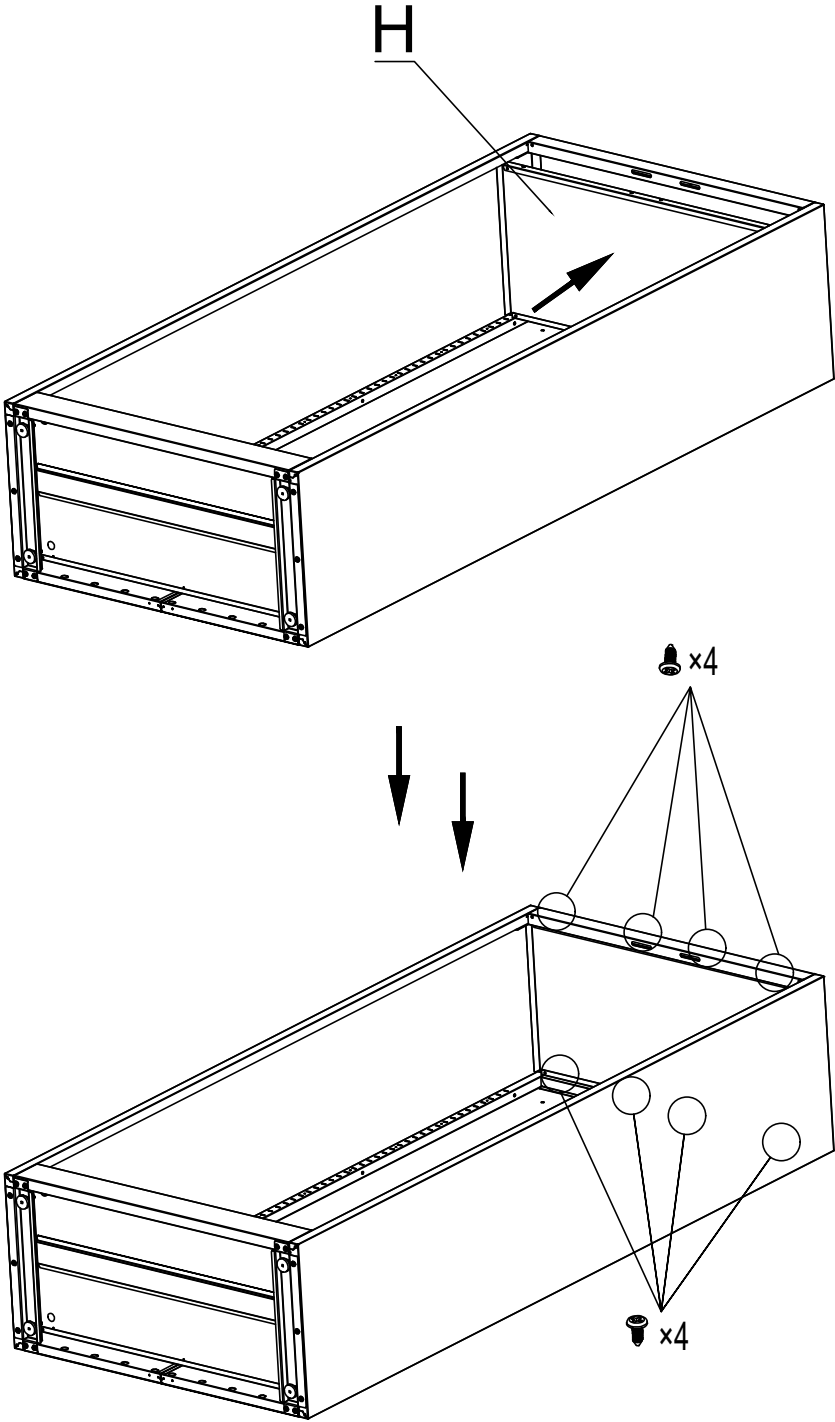
T			8PCS
---	---	---	------

Step 7: Install the bases K on the bottom panel and fix them with screws T, then attach feet Z on the bases





T			14PCS	Z		4PCS
---	---	---	-------	---	---	------

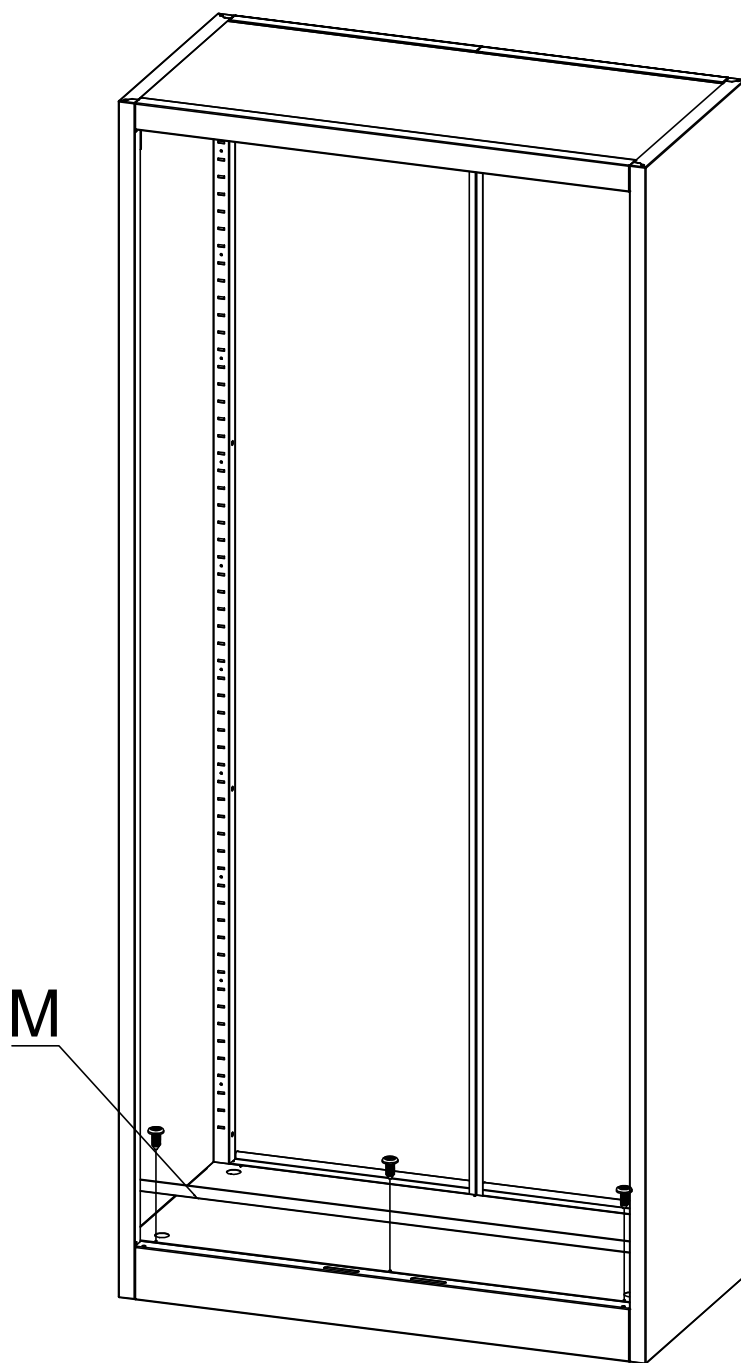
Step 8: Install the top panel H and fix it with screws T



It's easier to fix screws when back panels or side panels are put on the floor

T			8PCS
---	---	---	------

Step 9: Install the bottom face M on the bottom panel with screws T

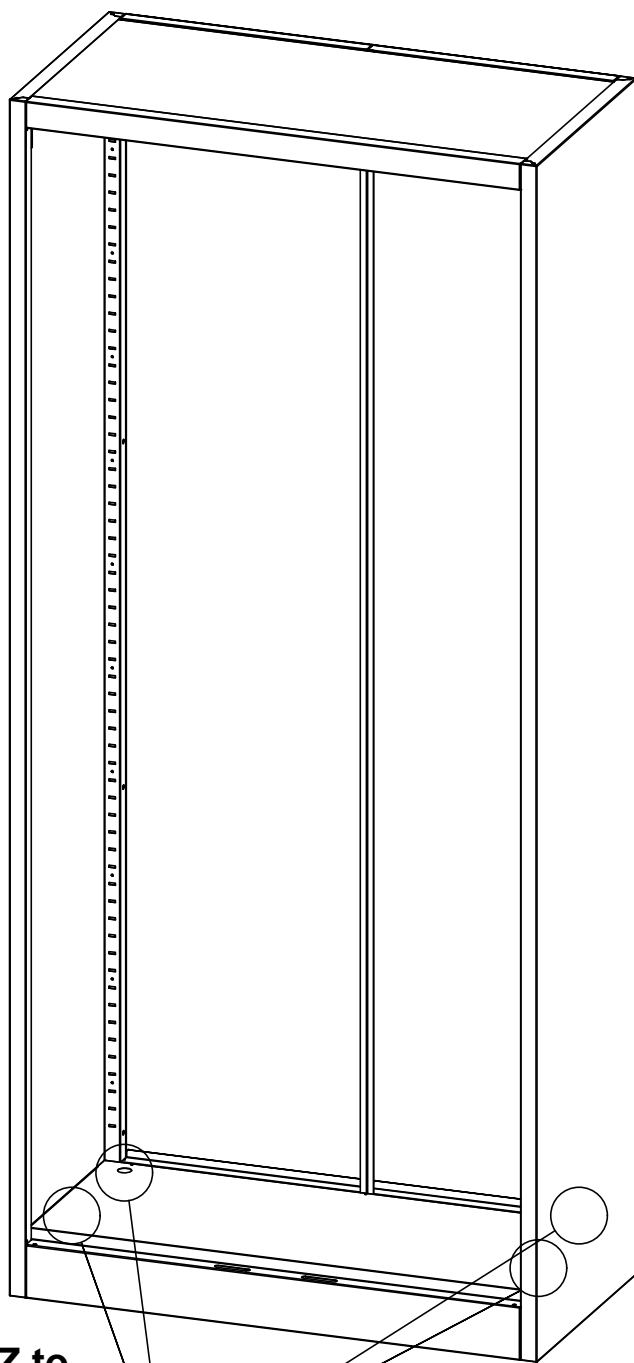


T

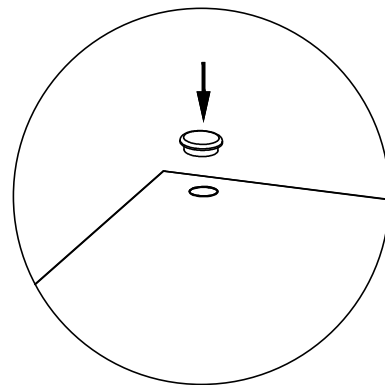
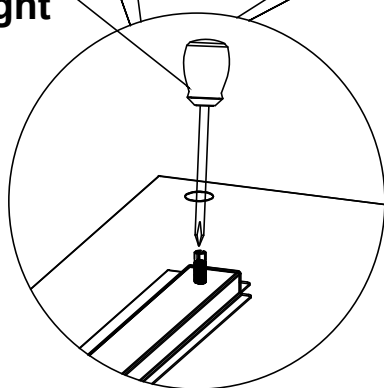



3PCS

Step 10: Attach the 4 caps Y on the holes of the bottom panel

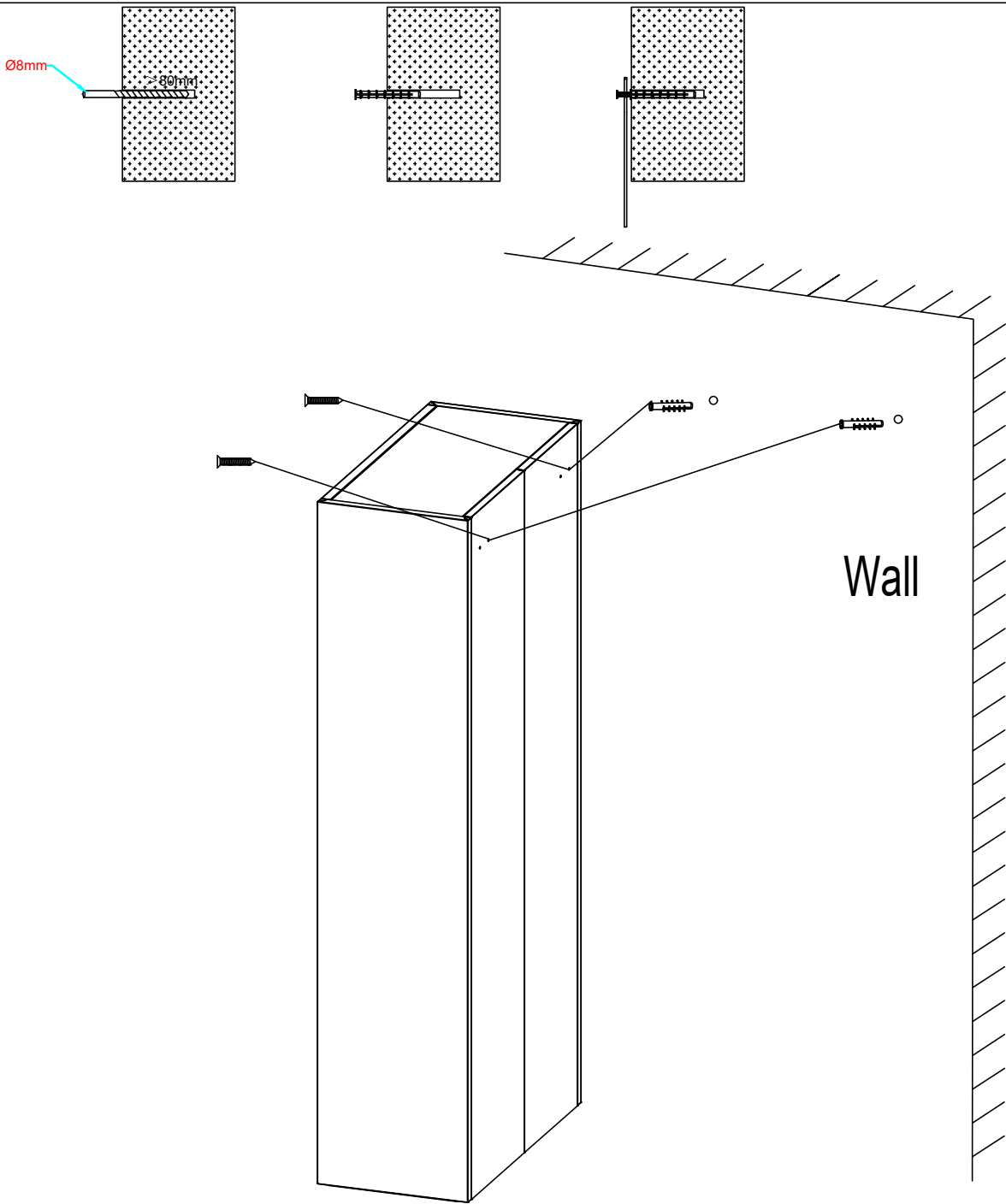


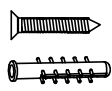
Rotate the feet Z to adjust the height



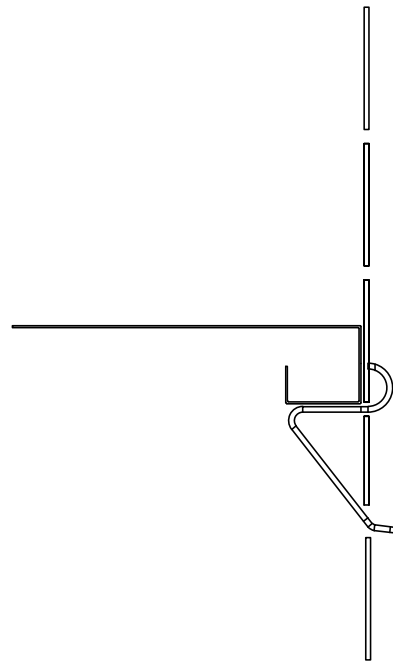
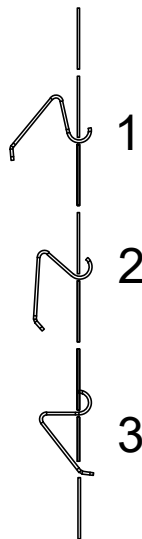
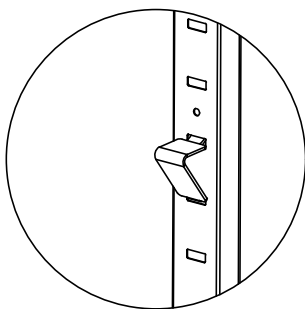
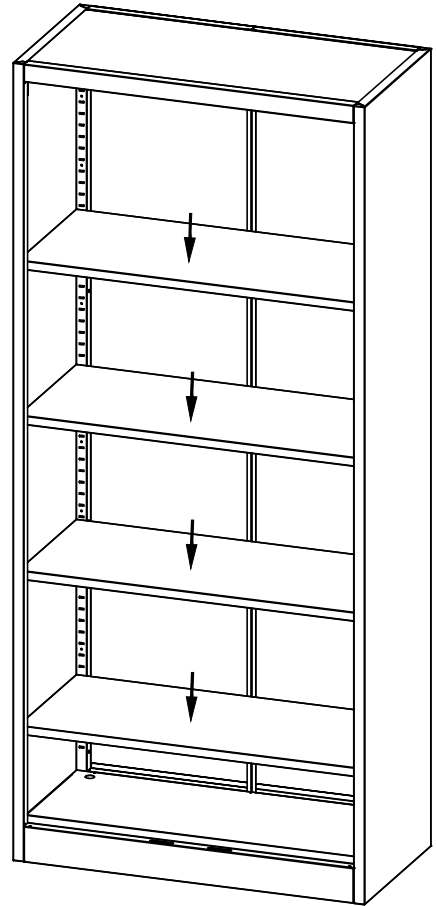
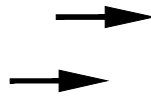
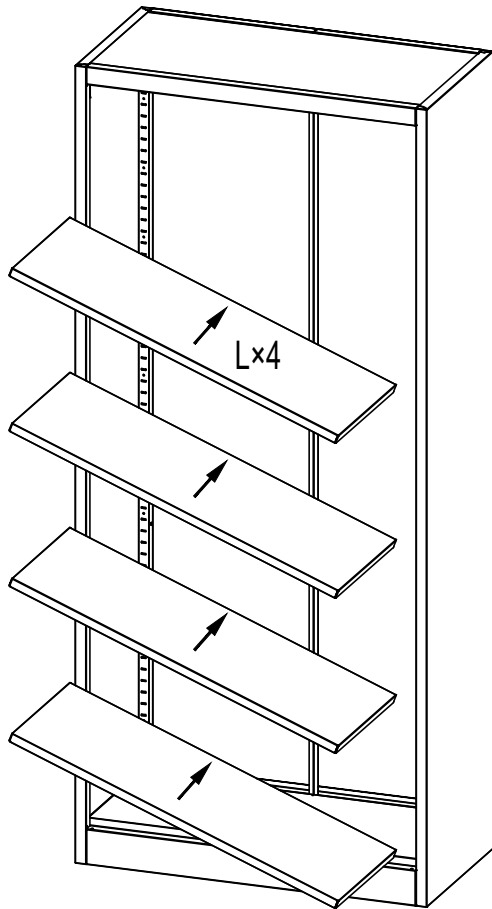
Y		4PCS
---	---	------


Step 11: Fasten the cabinet on the wall to prevent tipping



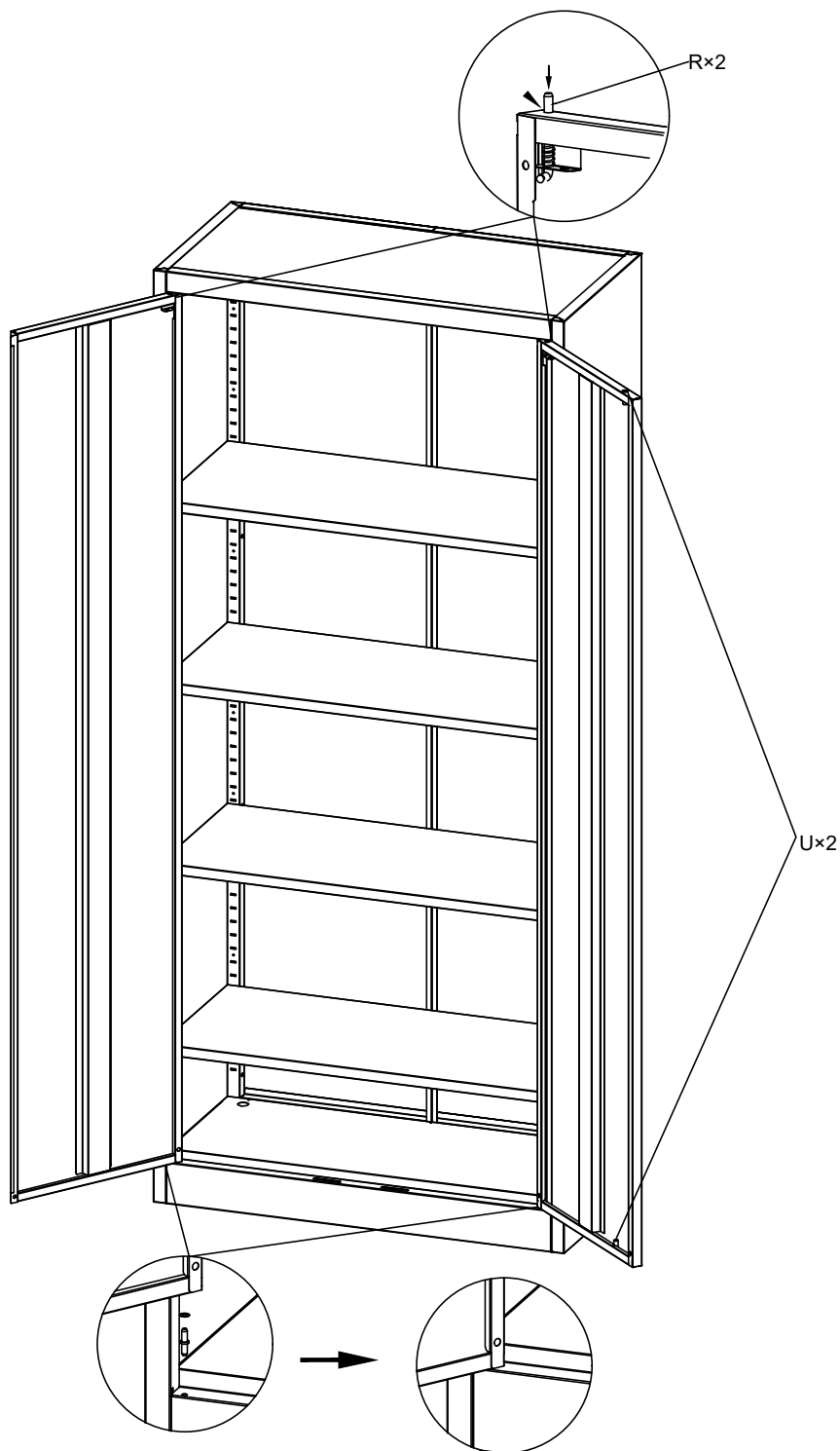
V		2PCS
---	---	------

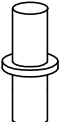

Step 12: Hang 16 shelf clasps S at the same level and put the shelves L on them



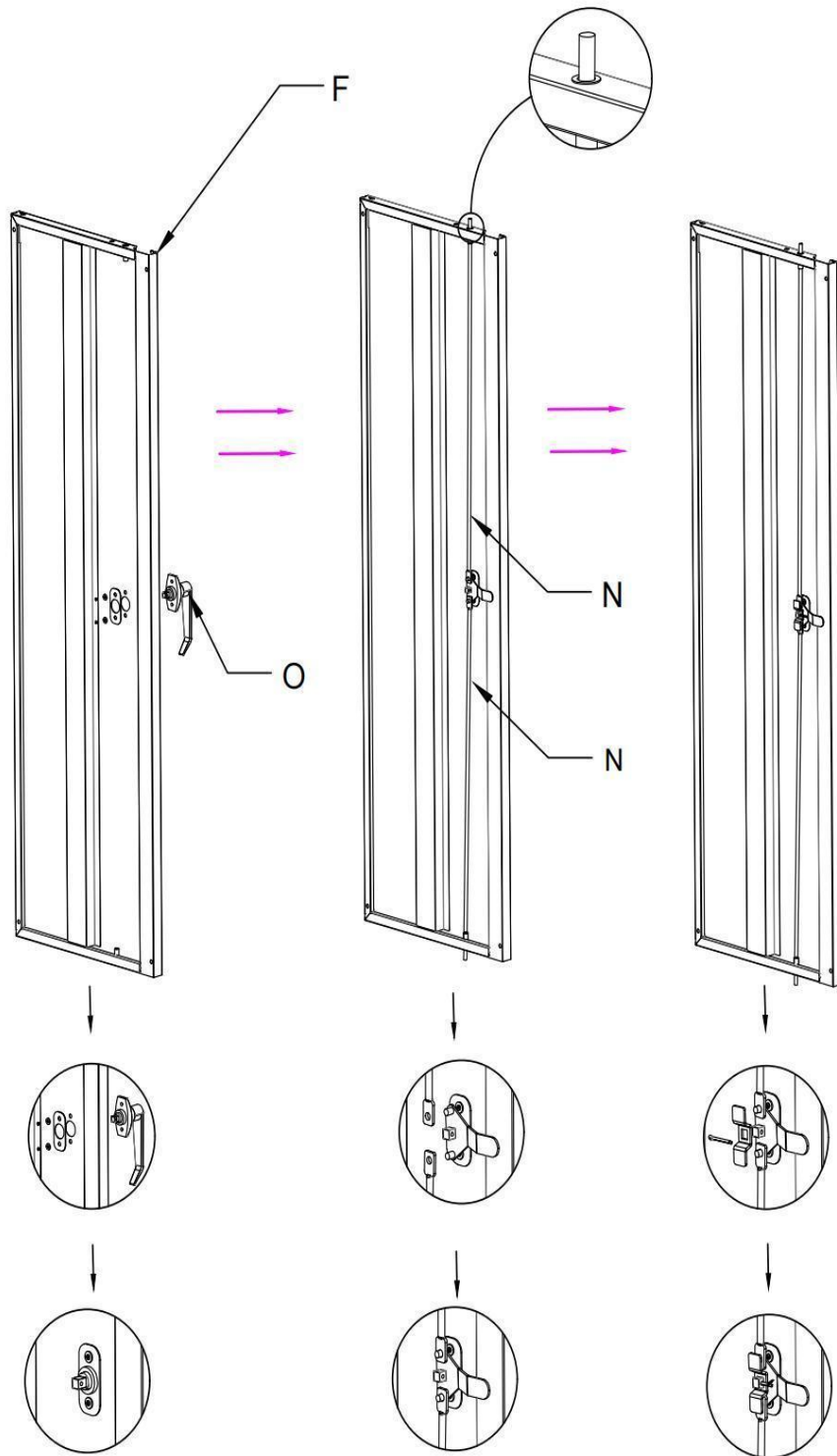
S		16PCS
---	---	-------



Step 13: Insert the door pivots W into the holes of the both sides of the bottom corner (shims X can be used to adjust), then insert the doors into the door pivots on the bottom and adjust the springs shaft R on the top



W		2PCS	X		2PCS
---	---	------	---	---	------

Step 14 : Install lock handle O on the right door F and install lock rods N



O		1PC	N	 990MM 690MM	2PCS
---	---	-----	---	---	------

Limited Liability & Warning

No Unauthorized Modifications/Repairs: Do not modify or attempt to repair this product unless you are an authorized technician. Unauthorized actions may create hazards and void all warranties

Misuse & Non-Compliance: We are not liable for any injury, damage, or loss resulting from:

- (a) misuse, abuse, neglect, or improper installation;
- (b) failure to follow instructions or safety precautions;
- (c) use of unauthorized parts/accessories;
- (d) unauthorized modifications/repairs;
- (e) accidents, natural disasters, or external causes.

If you doubt any step of installation or operation, stop using the product and contact authorized service or the customer support.

LIMITACIÓN DE RESPONSABILIDAD Y ADVERTENCIA

Modificaciones o Reparaciones No Autorizadas: NO modifique ni intente reparar este producto a menos que sea un técnico autorizado. Las acciones no autorizadas pueden generar riesgos y anularán todas las garantías.

Uso Indebido e Incumplimiento: No asumimos responsabilidad alguna por lesiones, daños o pérdidas que resulten de:

- (a) uso indebido, abuso, negligencia o instalación incorrecta;
- (b) incumplimiento de las instrucciones o precauciones de seguridad;
- (c) uso de piezas o accesorios no autorizados;
- (d) modificaciones o reparaciones no autorizadas;
- (e) accidentes, desastres naturales o causas externas.

Si tiene dudas sobre algún paso de la instalación o el funcionamiento, deje de usar el producto y póngase en contacto con el servicio técnico autorizado o con atención al cliente.