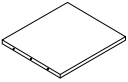

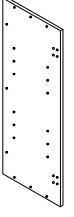
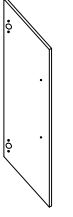
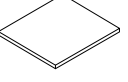


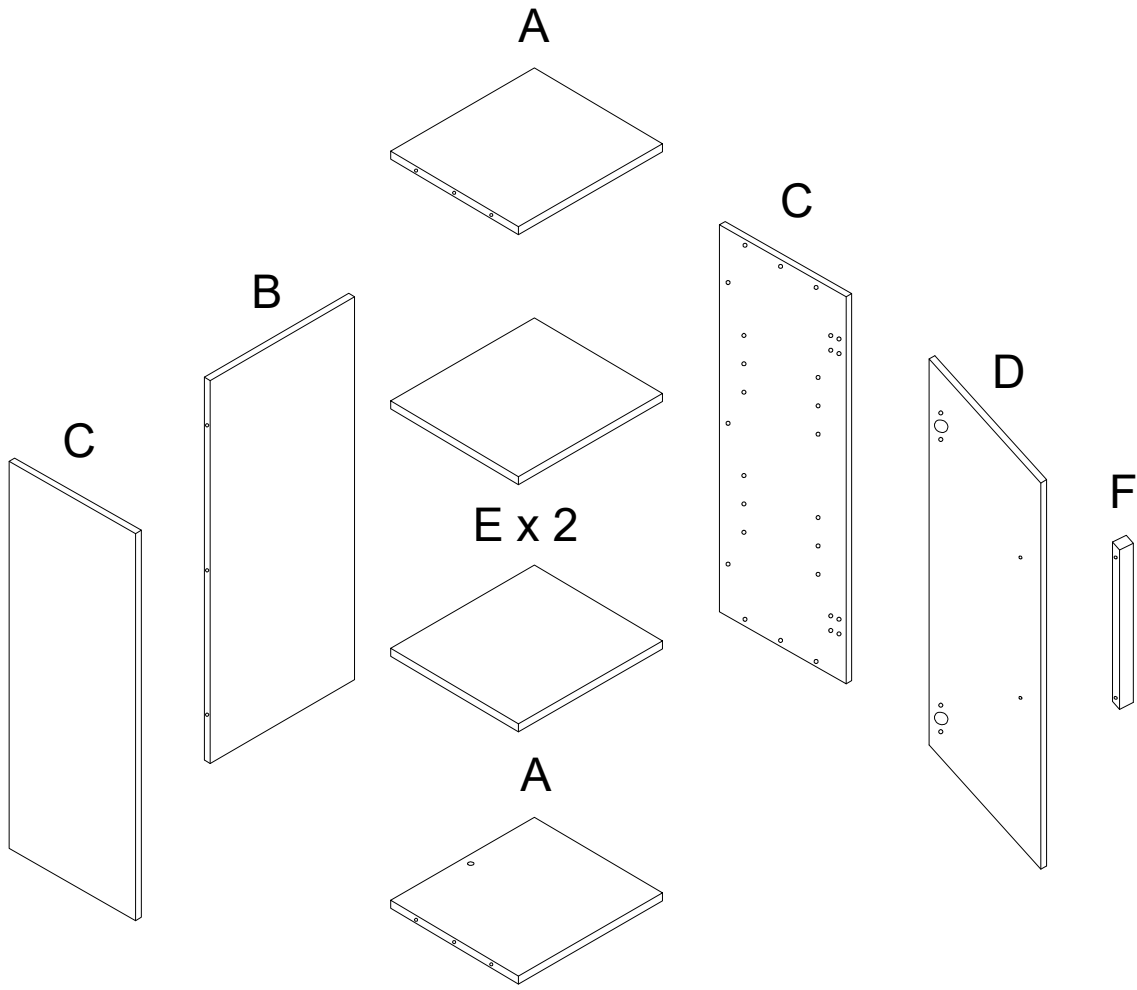



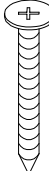
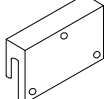
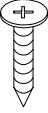
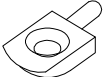
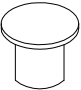


Diagram illustrating the required tools and safety warnings for the assembly step:

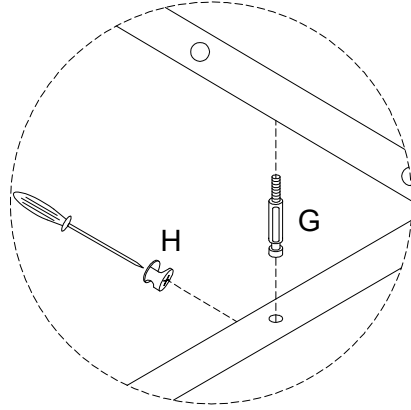
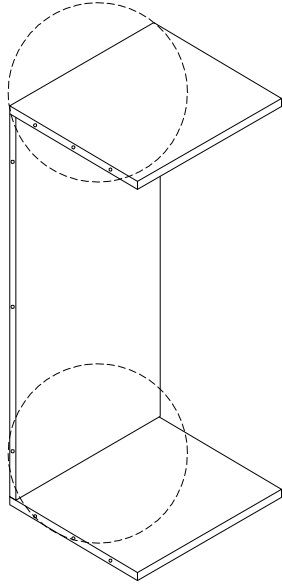
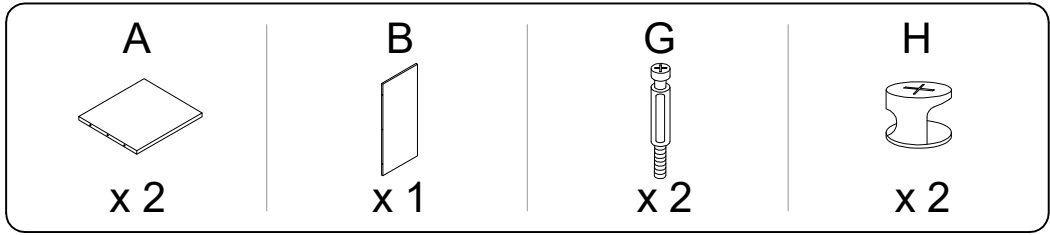
- Top section: A circular icon of a screwdriver is shown inside a rounded rectangle. To its right is a warning triangle containing an exclamation mark. Further right is a clock icon with the text "30'" below it, indicating a 30-minute time requirement.
- Bottom section: A circular icon of a power drill is shown inside a rounded rectangle. To its right is another warning triangle containing an exclamation mark. Further right is a human figure icon with the number "1" below it, indicating that one person is required for the task.

A	B	C	D	E	F	G
						
x 2	x 1	x 2	x 1	x 2	x 1	x 14

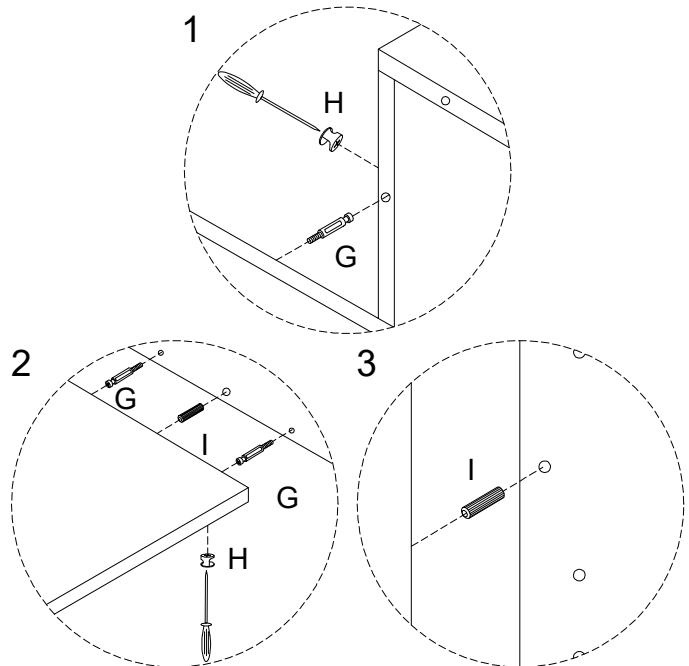
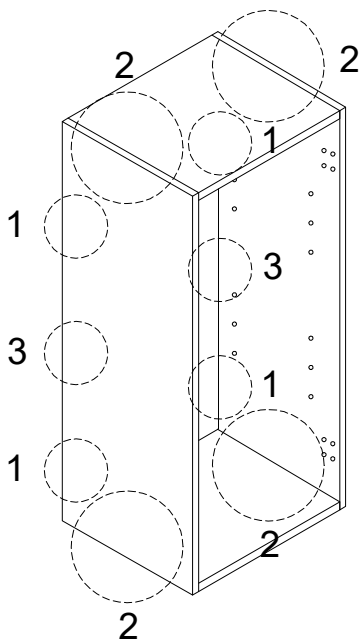
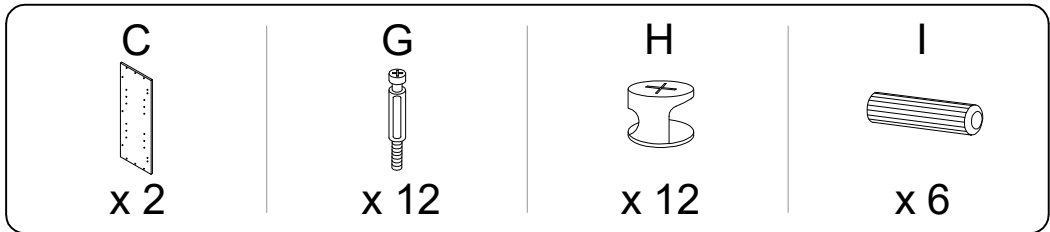


H	I	J	K	L	M	N	O
			 4 x 24		 3.5 x 14		
x 14	x 6	x 2	x 2	x 4	x 18	x 8	x 16

1

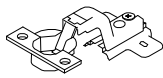


2



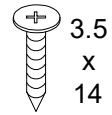
3

J

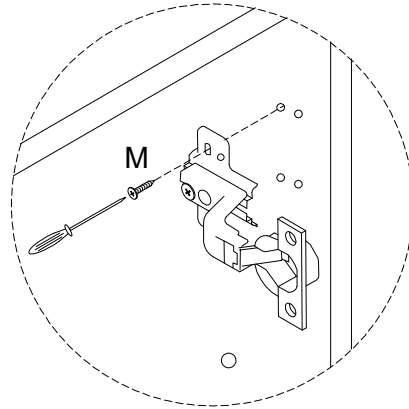
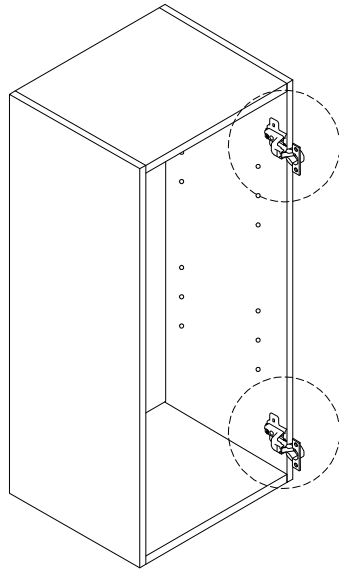


x 2

M

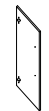


x 8



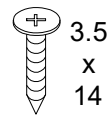
4

D

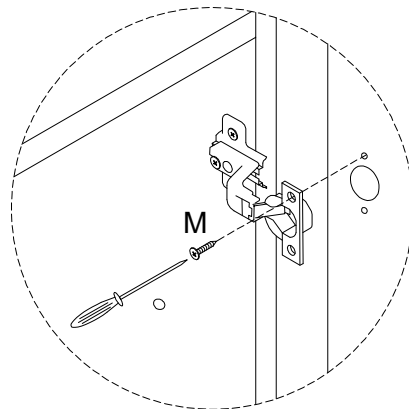
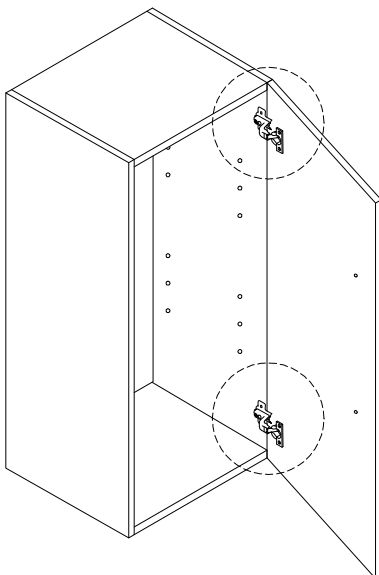


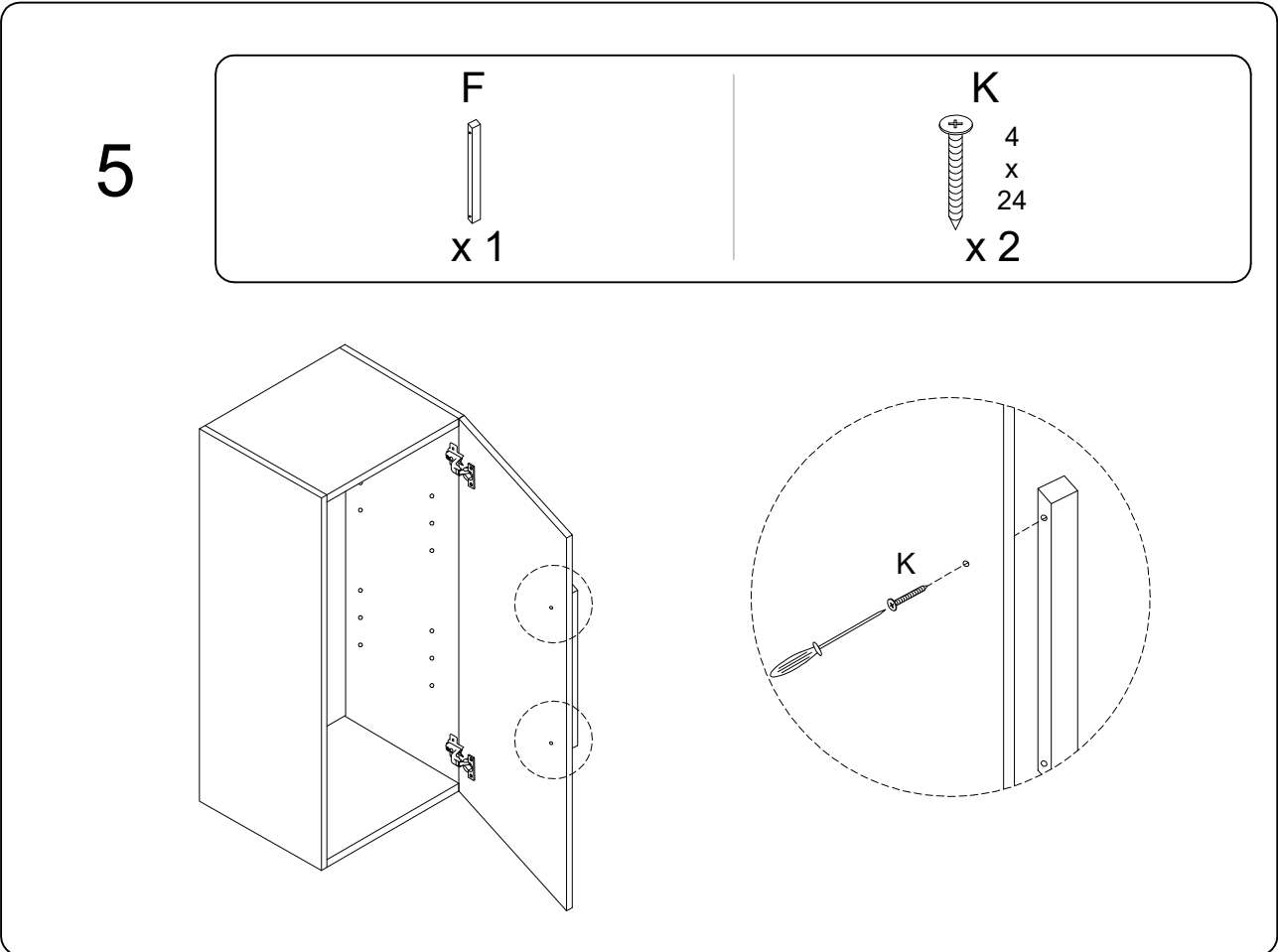
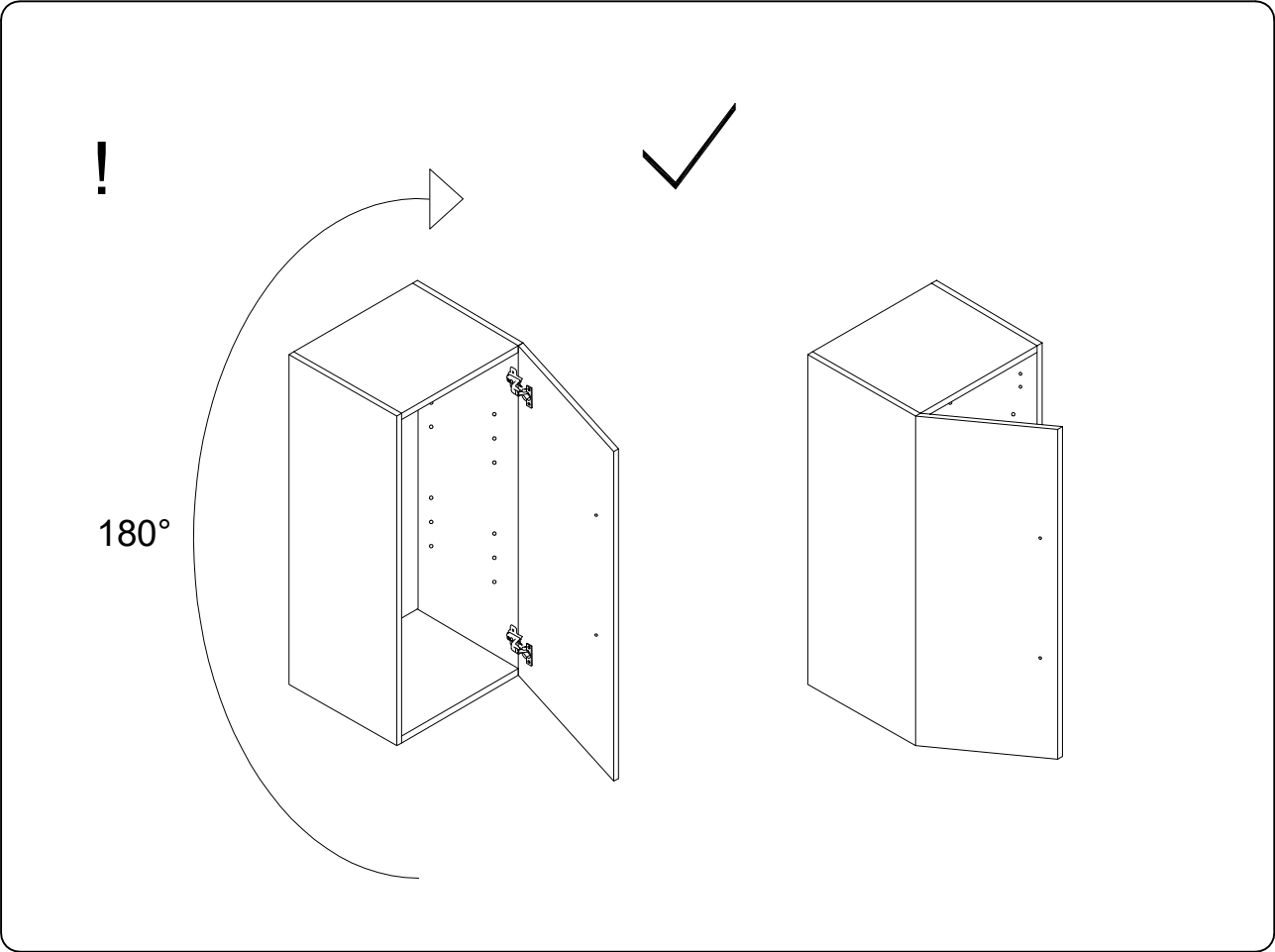
x 1

M



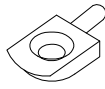
x 4





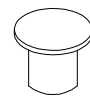
6

N

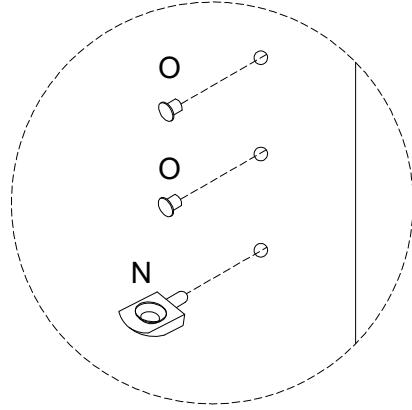
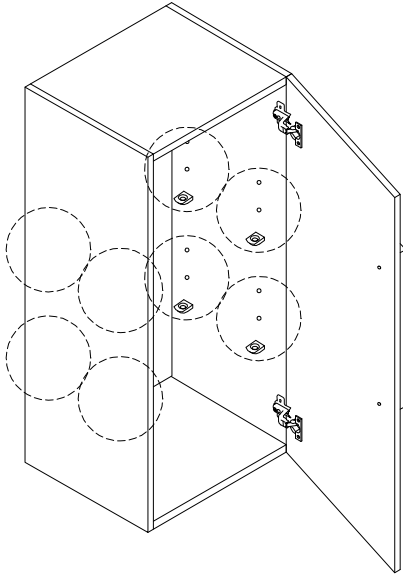


x 8

O

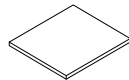


x 16

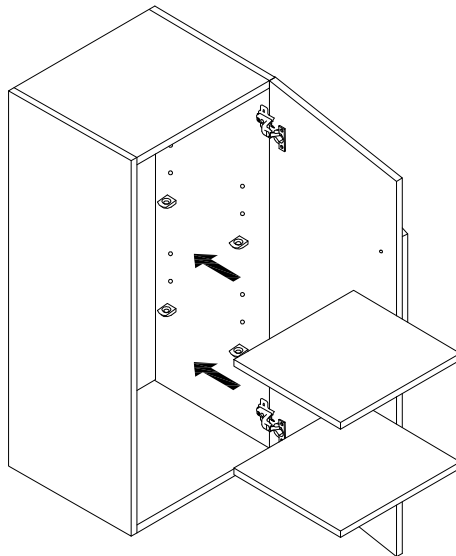


7

E



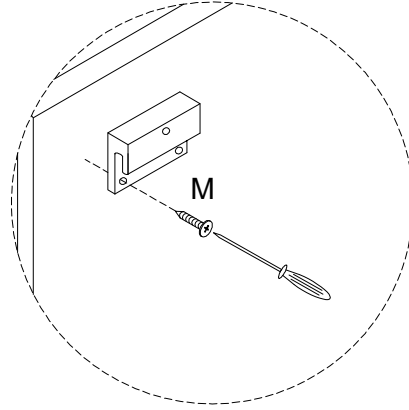
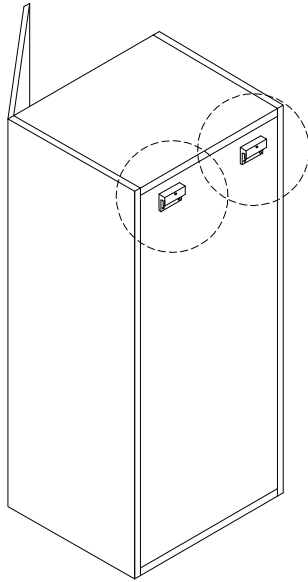
x 2



8

M
3.5
x
14
x 6

L
x 2



9

L
x 2

