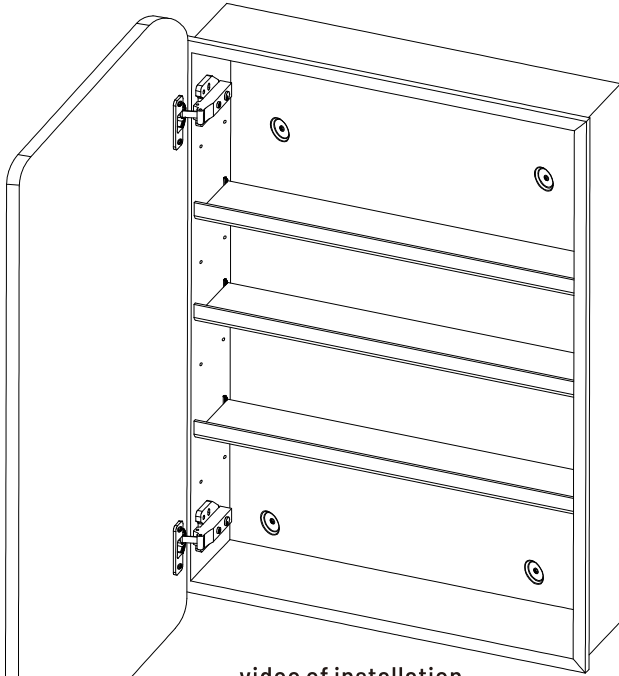


# Medicine Cabinet



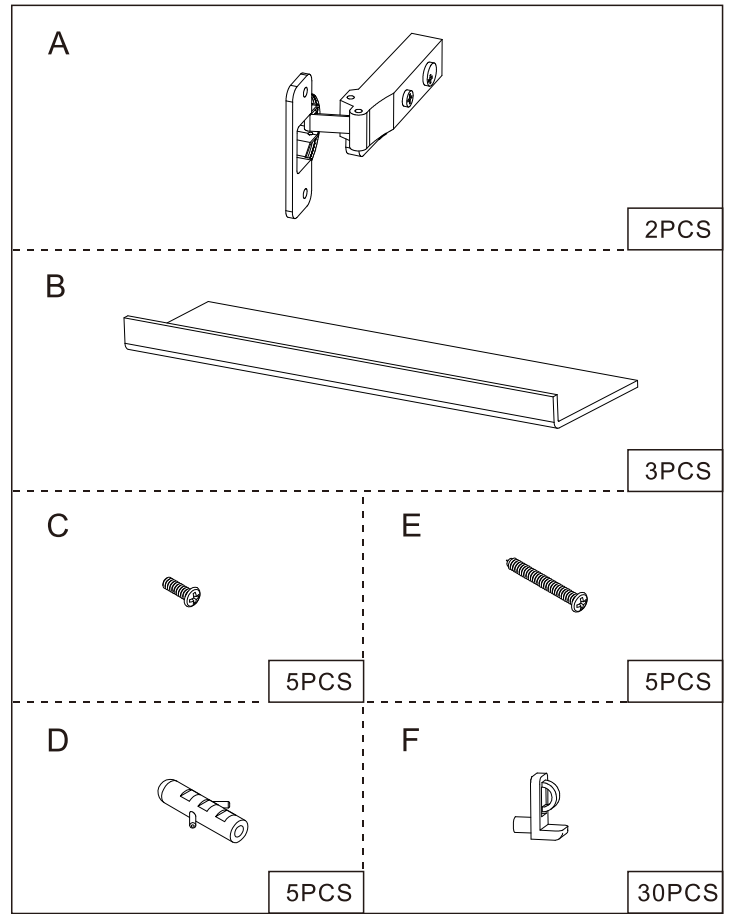
video of installation



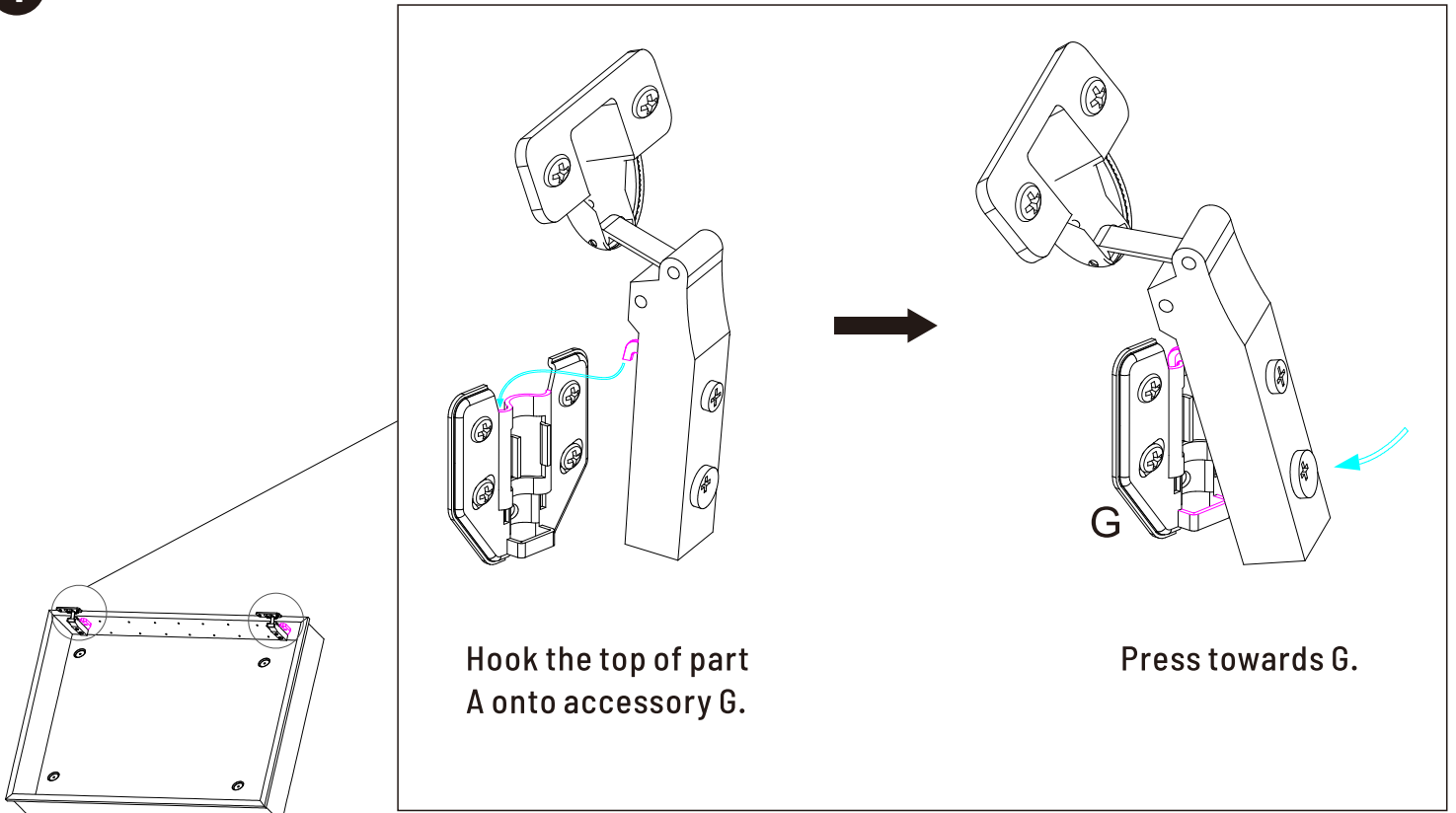
YouTube



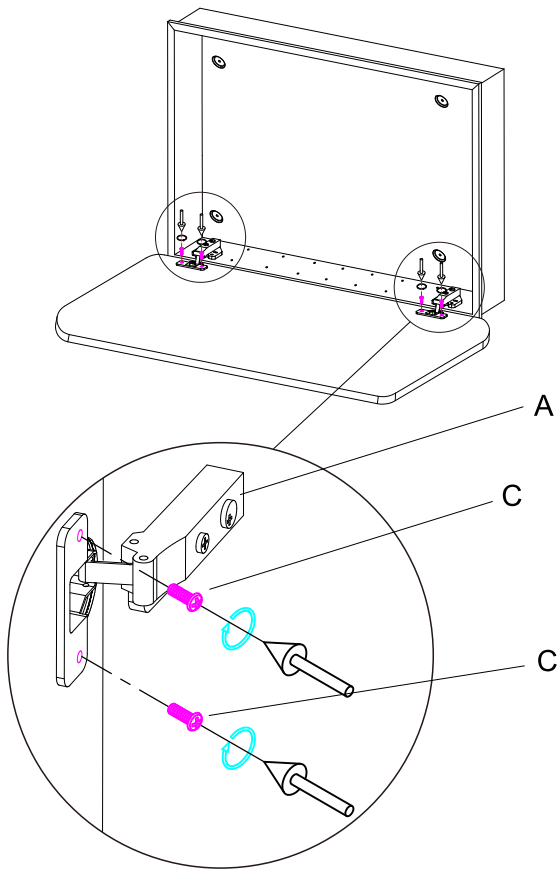
TikTok



1

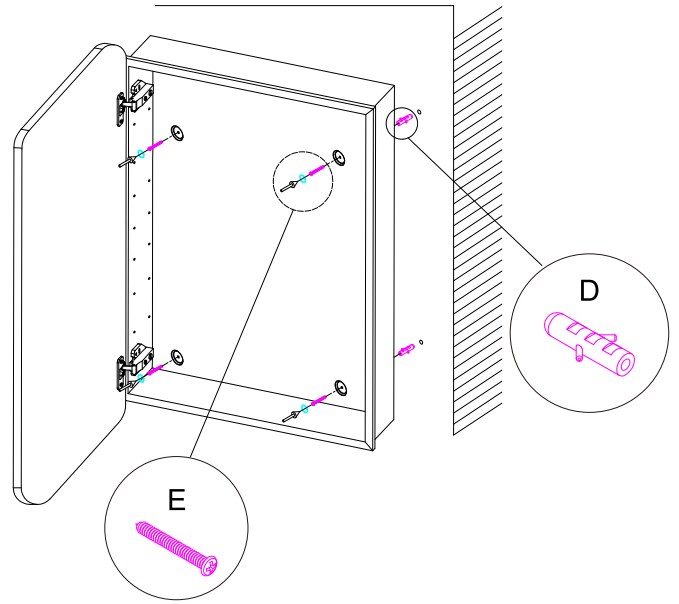


2



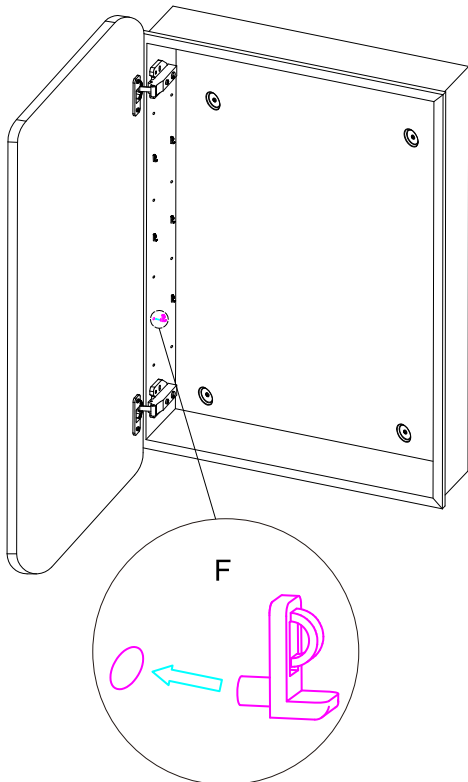
Align screw C with the door hole and tighten.

3



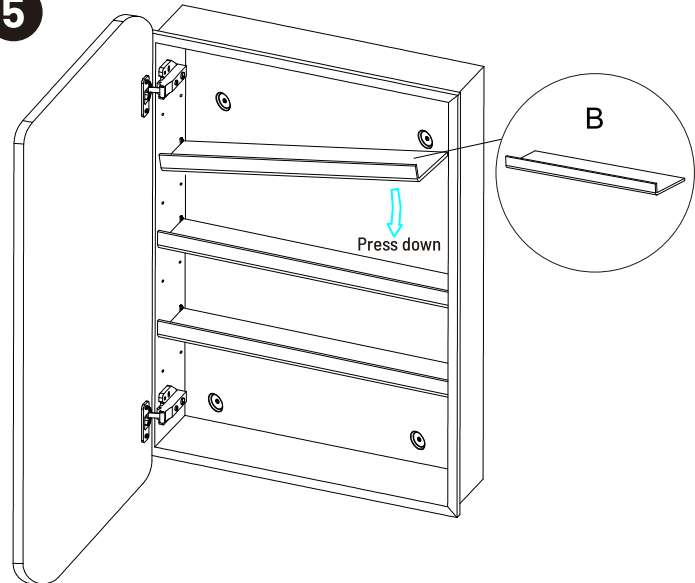
1. Position the cabinet on the wall and mark the four mounting points.  
 2. Remove the cabinet, drill four holes, and insert D into each hole.  
 3. Align the cabinet with the holes and secure it by tightening screw E into D.  
 Attention: Ensure all screws are firmly tightened before use.

4



Press F into the holes as needed, with four pieces per layer.

5



Place the left side of tempered glass B on accessory F, then press down the right side to secure it in place.