

KEY:

- BF = Base Frame
- G = Grille
- T = Tray
- S = Shelf
- L = Leg
- PF = Playtop Frame
- PT = Playtop Component
- FR = Frame Rail
- FP = Front Panel
- BP = Back Panel

*

These parts are interchangeable :

- FR 1 + 2 + 3
- FR 4 + 5
- BP 1 + 2
- FP 1 + 3
- T 1 + 2
- L 1 + 2 + 3

HARDWARE & TOOLS:

Short Hex Screw
1 pcs



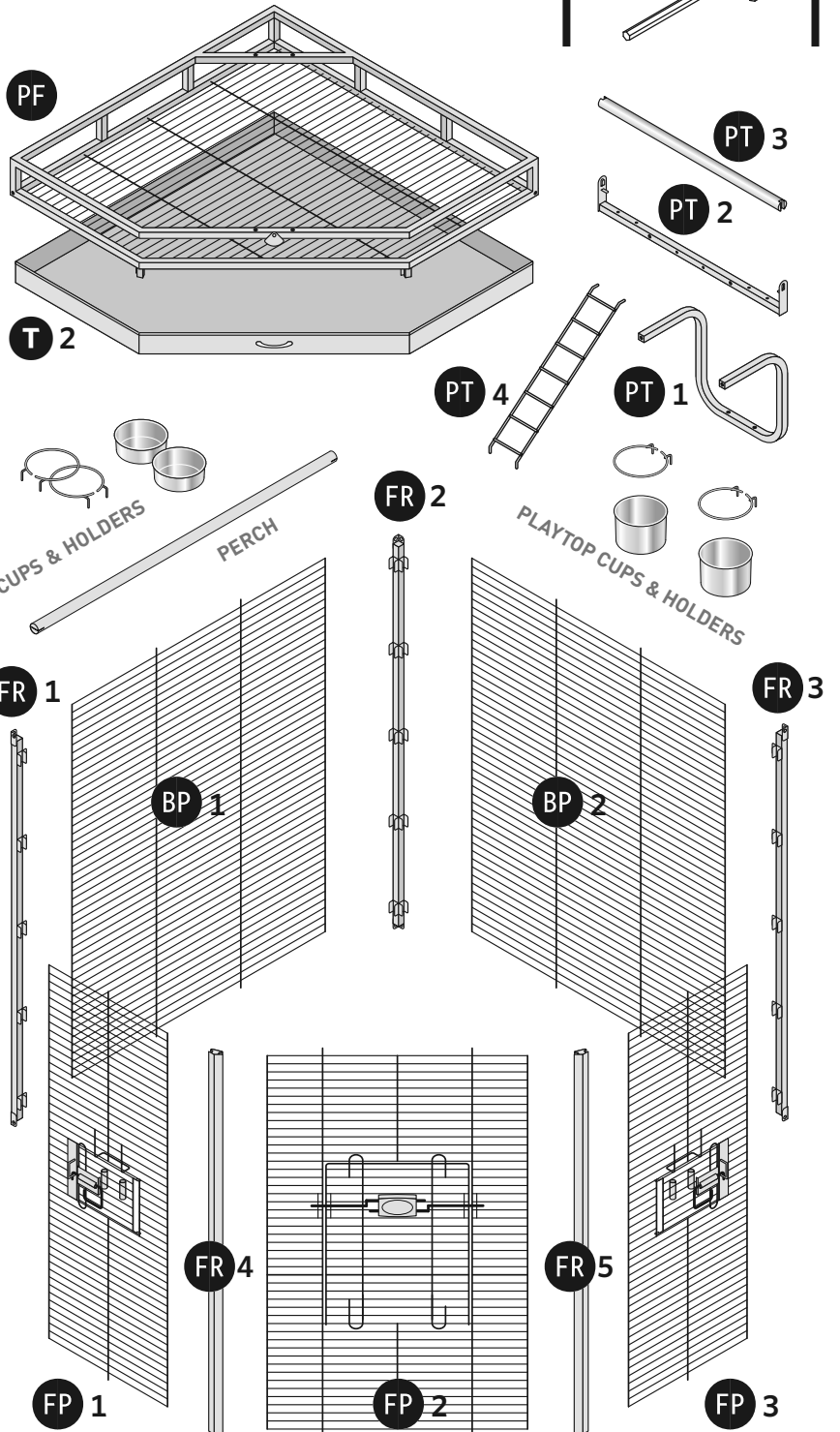
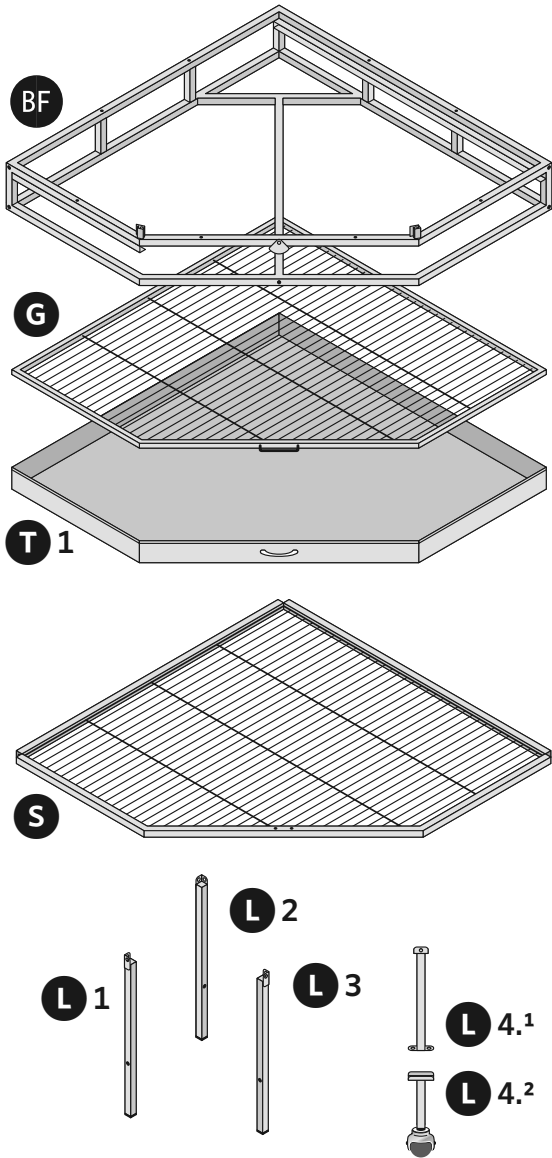
Long Hex Screws
18 pcs
+ 2 extra



Casters
3 pcs



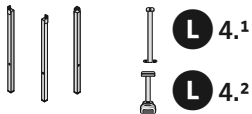
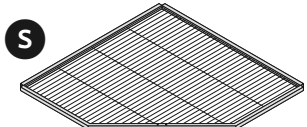
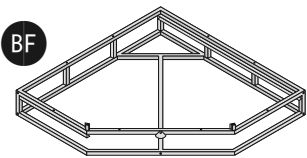
Hex Key (included)



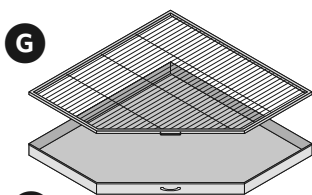
TOOL: Hex Key (included) • For best results, follow the Assembly Steps in the order presented.

KEY: FR = Frame Rail
 BF = Base Frame FP = Front Panel
 G = Grille BP = Back Panel
 T = Tray PF = Playtop
 S = Shelf Frame
 L = Leg PT = Playtop
 Component

1 PIECES

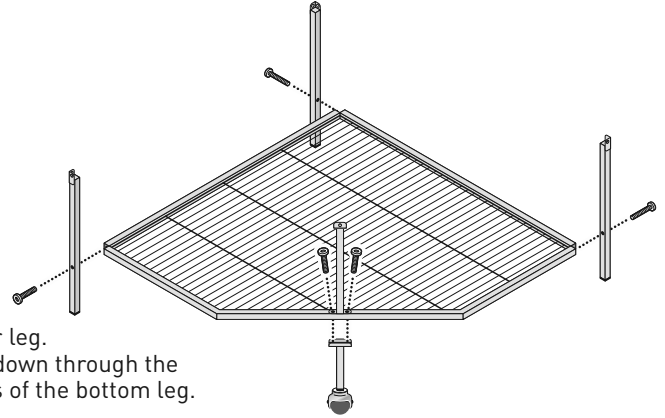


L 1 + 2 + 3
interchangeable



T 1
trays are interchangeable

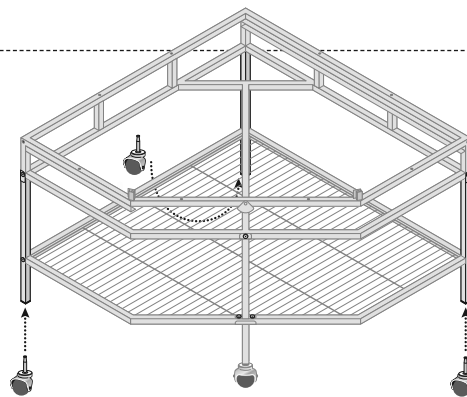
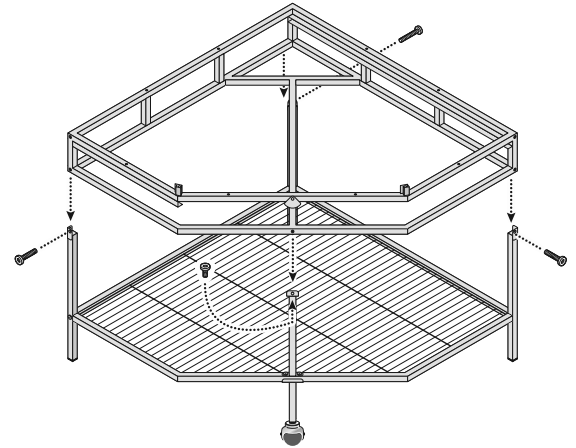
Attach the one-piece corner and back legs first.



Attach the two-piece front/center leg.
 Hex screws attach from the top, down through the frame, and into the treaded holes of the bottom leg.

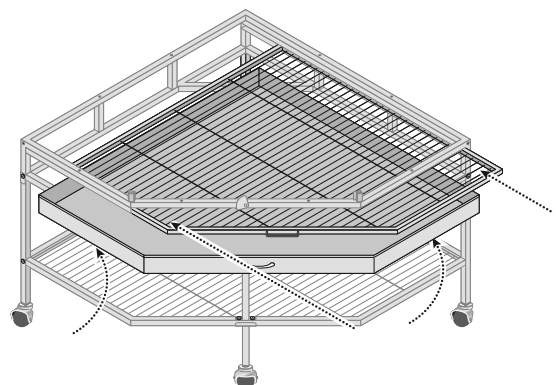
Set the **base frame** into the brackets at the tops of the legs. Attach with one long hex screw for each corner and back leg.

For the front leg, use the small hex screw.

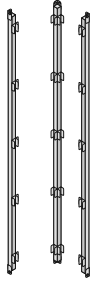


Fully insert a **caster** in the base of each of the corner legs and the back leg.

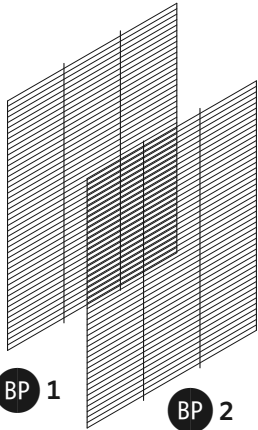
Slide the pull-out **grille** into the upper channels.
 Slide the pull-out **tray** into the base frame, under the grille.



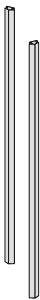
2 PIECES



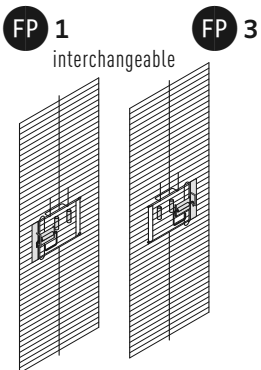
FR 1 + 2 + 3
interchangeable



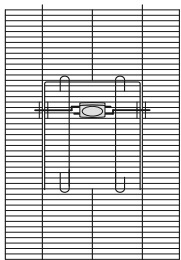
BP 1 BP 2
interchangeable



FR 4 + 5
interchangeable

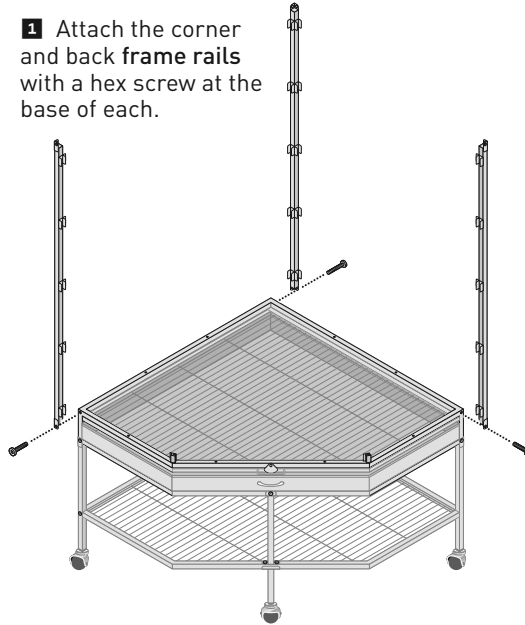


FP 1 FP 3
interchangeable



FP 2

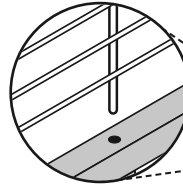
1 Attach the corner and back frame rails with a hex screw at the base of each.



2 Slide the back panels down through the channels along the frame rails.

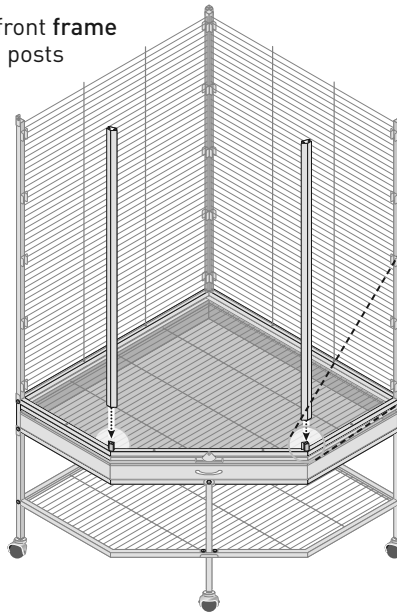
NOTE: Thin, horizontal wires should face the cage interior.

At the panel base, insert the extended vertical wires down into the frame holes.



3 Slide the front frame rails over the posts on the base.

The posts have a snap-button. Push this in and slide the rail down until the button pops out of the hole on the frame rail.

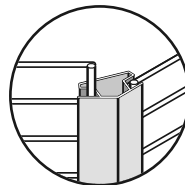
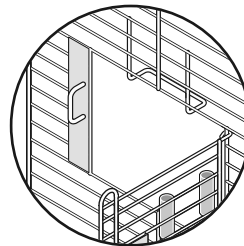


4 Slide the front panels down through the channels on the frame rails.

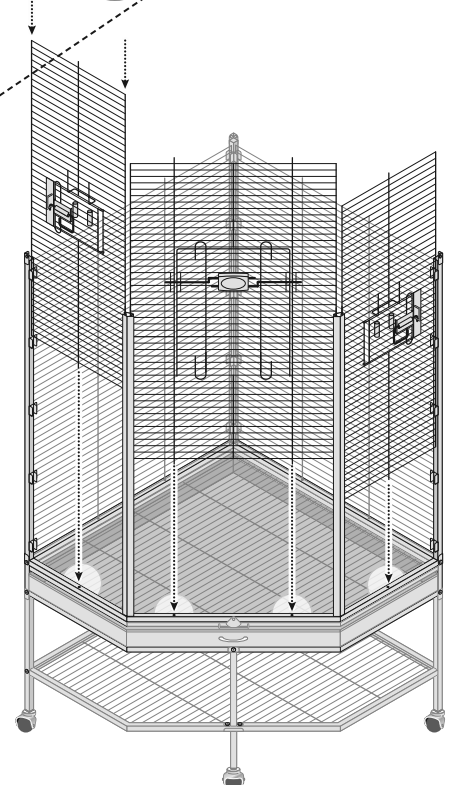
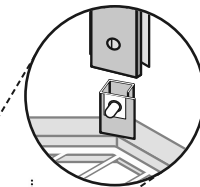
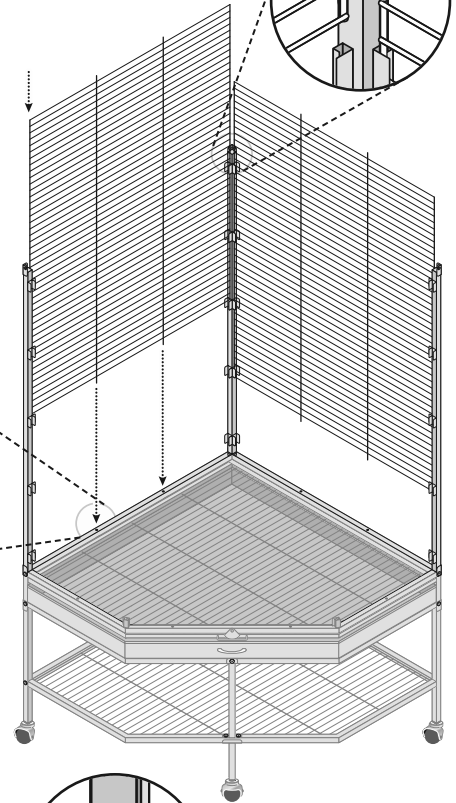
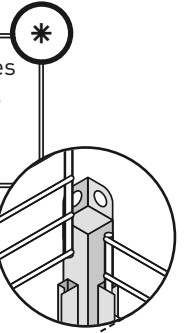
NOTE: Panels with cup doors should be oriented with the door opening out, and the cup stop at the top.

NOTE: Thin, horizontal wires should face the cage interior.

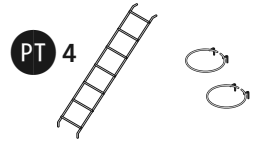
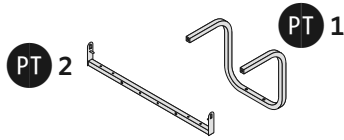
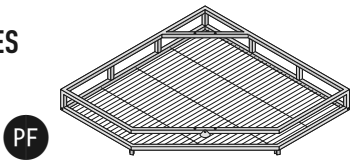
At the panel base, insert the extended vertical wires down into the frame holes.



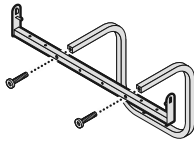
2 Thick, vertical wires face the cage exterior. Thin, horizontal wires face the cage interior.



3 PIECES



Set the **playtop frame** onto the frame rail brackets. At the front, insert the posts into the frame rails. Insert all extended panel wires into the holes on the underside of the frame. **Make certain to settle the frame in position at all points** before attaching in place with hex screws.

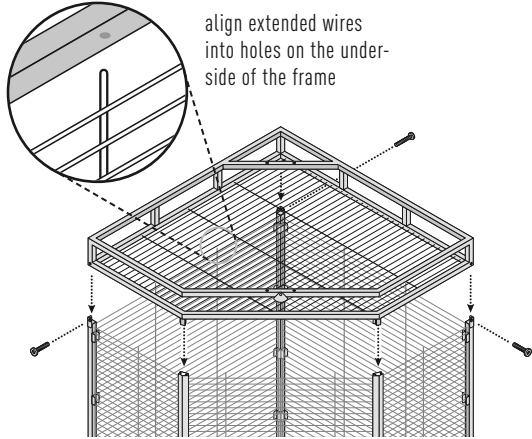


← Attach the **perch bar** to the U-support bar.

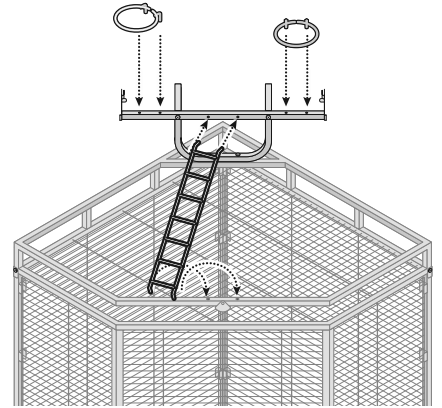
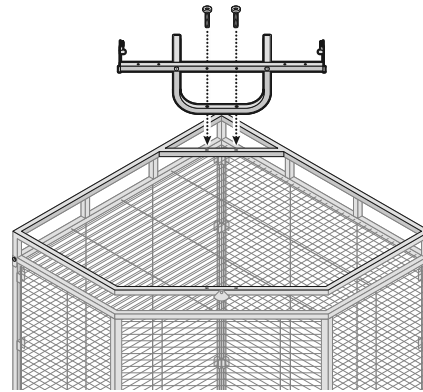
Insert **cup holders** into the perch bar.

↓ Attach the assembled unit to the playtop frame.

Insert the **ladder** into the playtop frame, and then the perch bar.

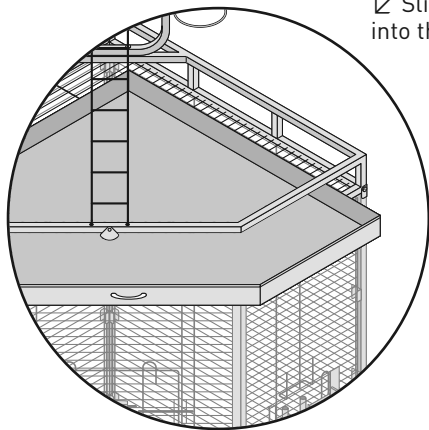
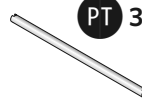
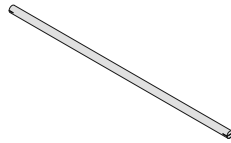
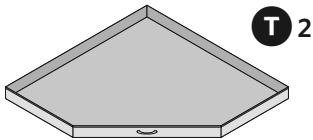


align extended wires into holes on the underside of the frame



4 PIECES

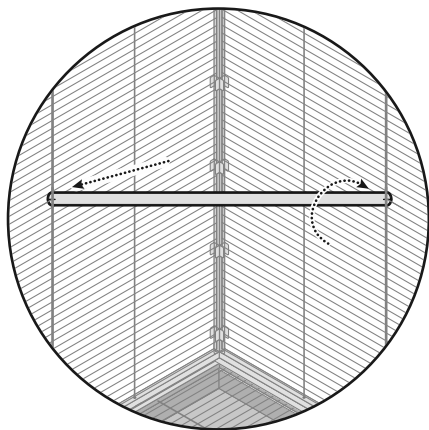
trays are interchangeable



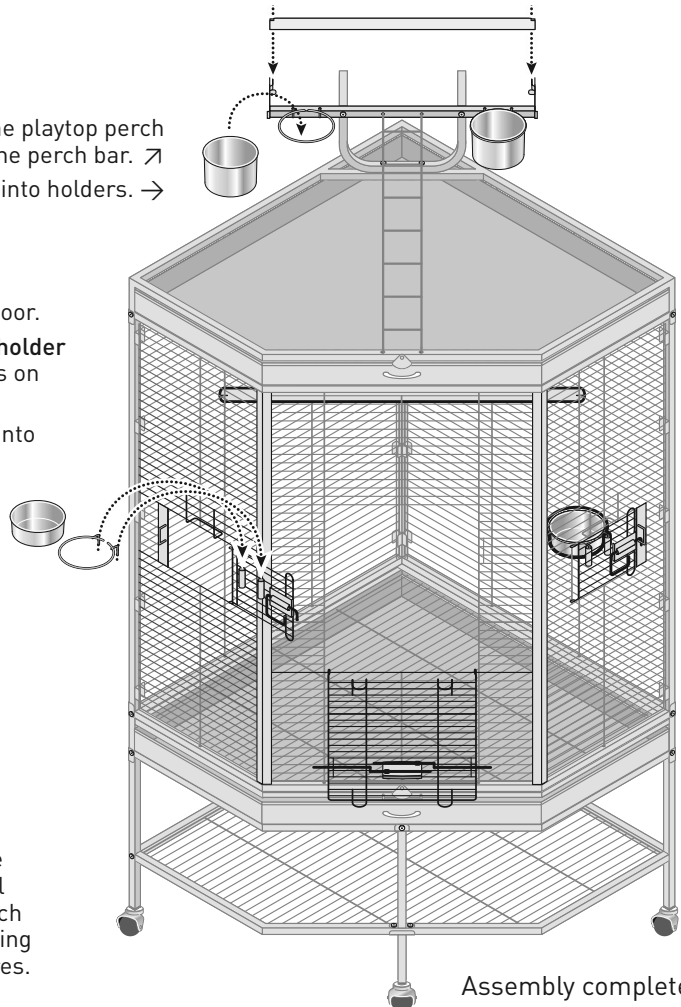
↙ Slide the pull-out tray into the playtop frame.

Insert the playtop perch onto the perch bar. ↗
Insert cups into holders. →

Open the cup door.
Insert the **cup holder** into the sleeves on the door.
Insert the cup into the holder. ↘



↖ Install the **perch** on the back panels, on horizontal wires of equal height. Perch is held in position by pushing up against the vertical wires.



Assembly completed. ■