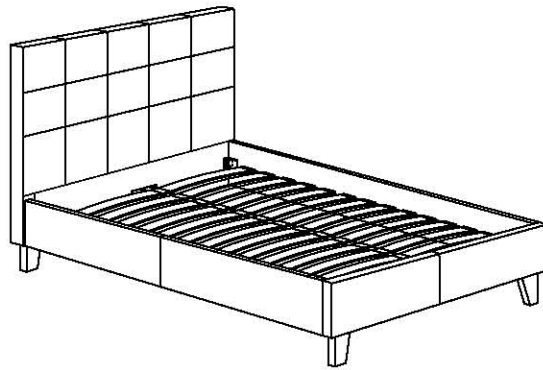
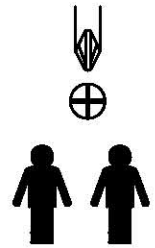


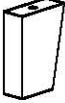




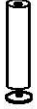






# ASSEMBLY INSTRUCTIONS



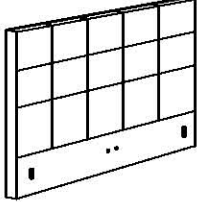
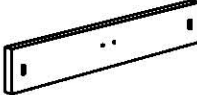


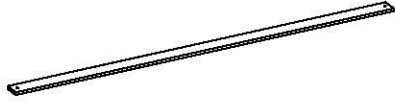
Tools Needed  
2 person build



## BED FITTINGS

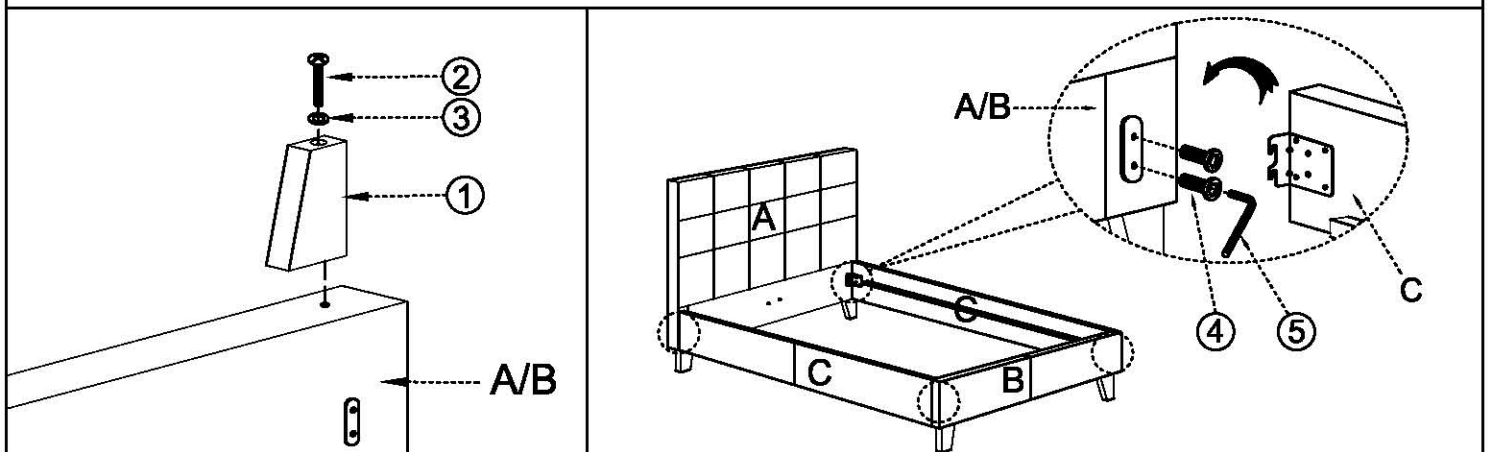
					
Feet ① X 4	Bolts (m8*90) ② X 4	Washers (m8) ③ X 8	Gold Bolts (m8*18) ④ X 8	Allen Key (m5) ⑤ X 1	Plastic feet ⑥ X 2
					
Bolts (m8*20) ⑦ X 4	Bolts (m8*25) ⑧ X 2	Bolts (m6*35) ⑨ X 2	Center plastic caps (Big) ⑩ X 14	End plastic caps (Small) ⑪ X 28	Slats ⑫ X 28

## PART LIST

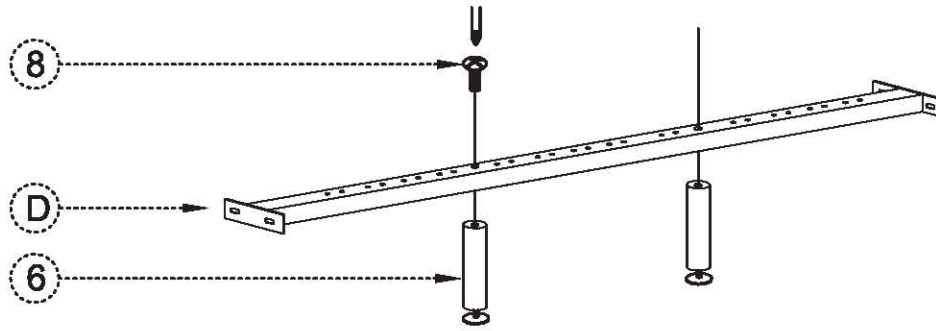
		
Headboard A X 1	Footboard B X 1	Side Rails C X 2
		
Center Rail D X 1	Cross Rail E X 1	

### Step 1

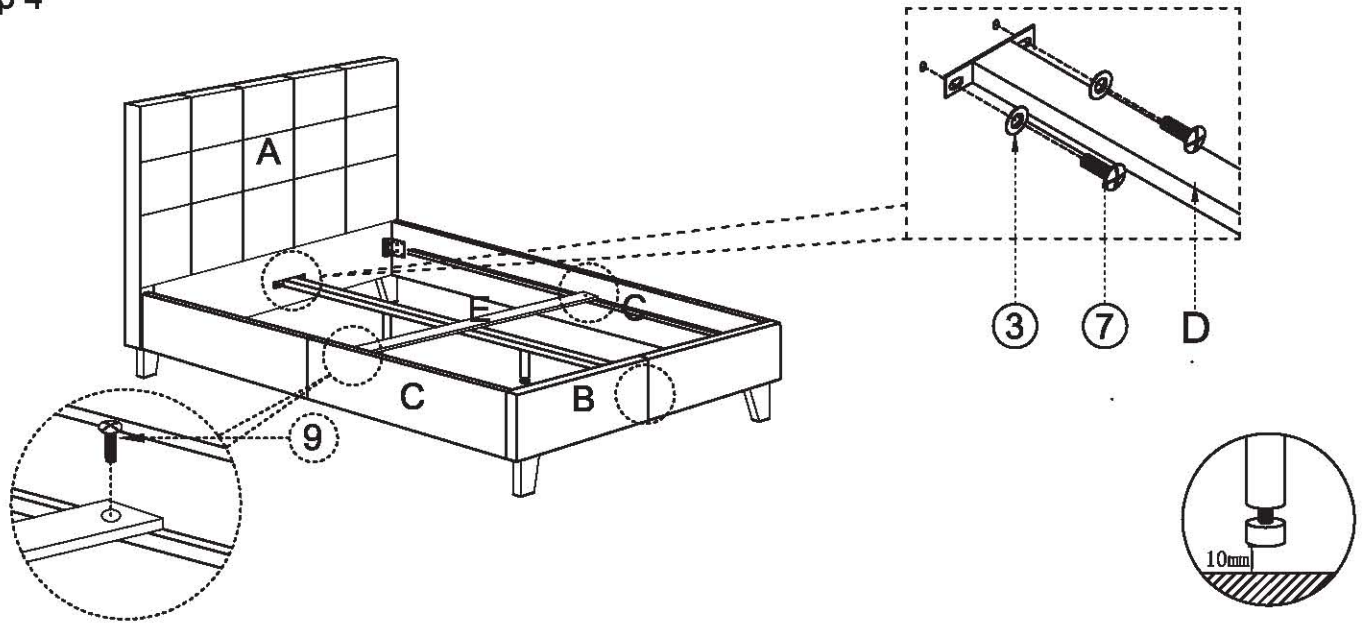
### Step 2



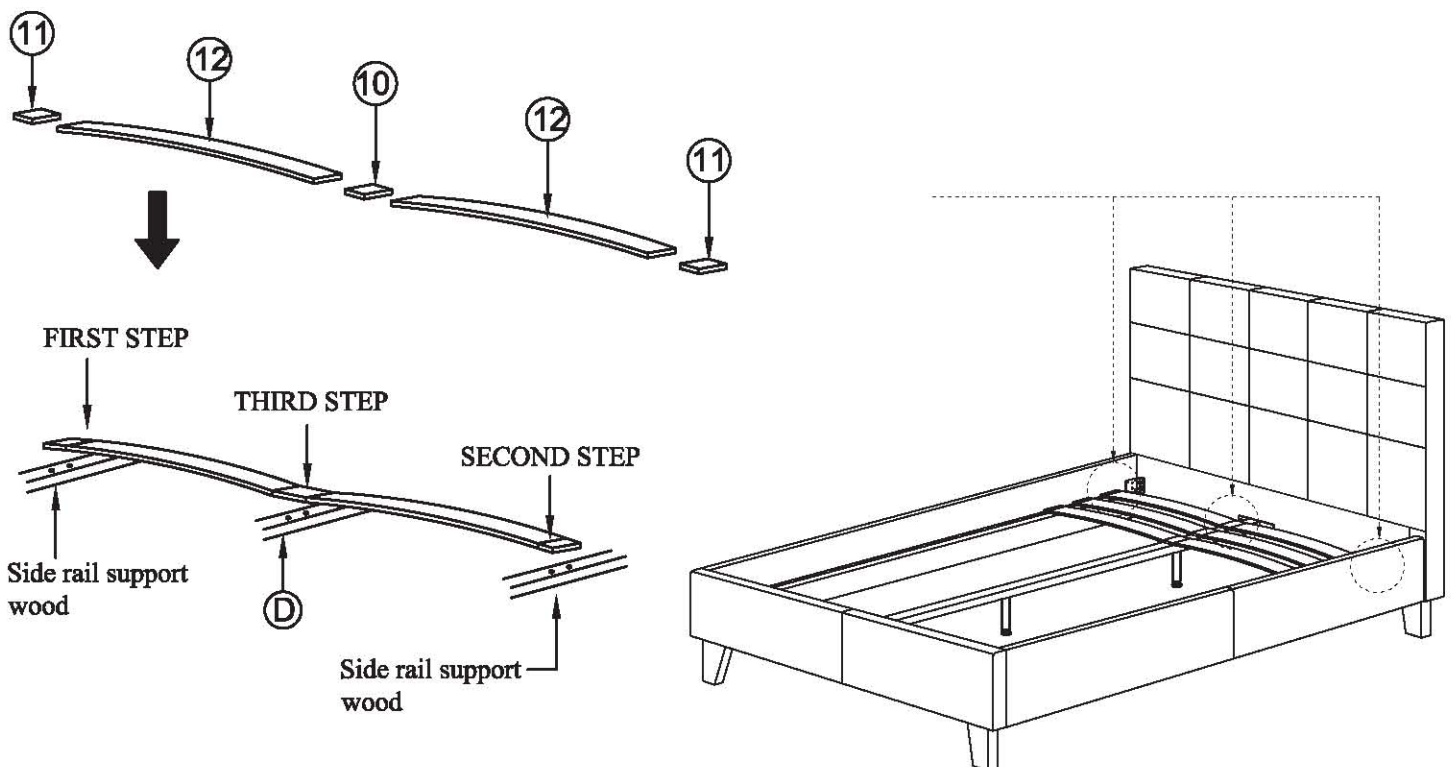
### Step 3



### Step 4



### Step 5



REMARK : ONCE BED IS ASSEMBLED, **DO NOT** SIT, STAND OR APPLY WEIGHT DIRECTLY TO SLATS UNLESS MATTRESS IS IN PLACE.