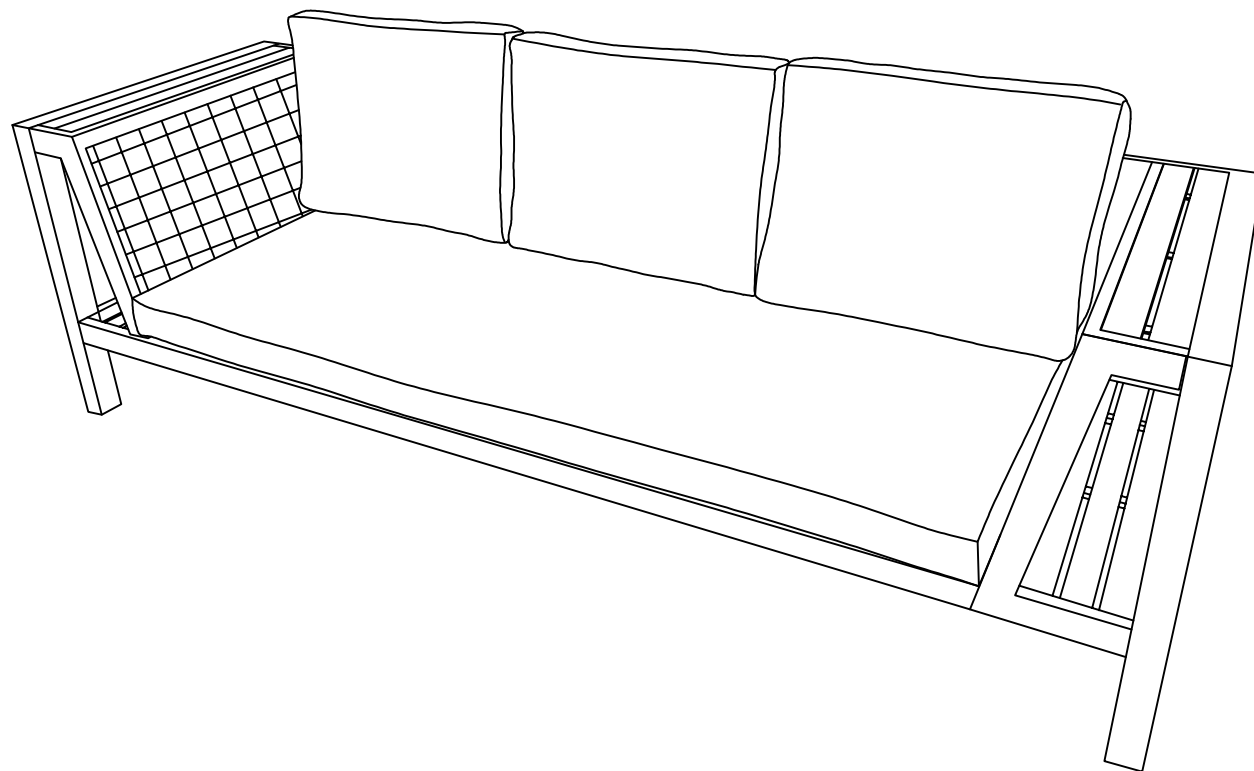


Sofa Assembly Instruction



Dear Customer,

After receiving the product, please check all the accessory codes and quantities according to the instruction manual, if there is any omission, please contact us in time. We will provide solutions for you.

If you have any questions, please contact us in time; support@papajet.net

Revision Date:2024109



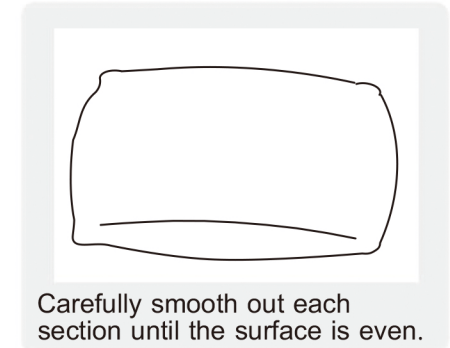
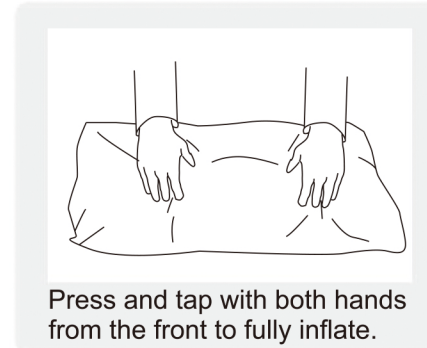
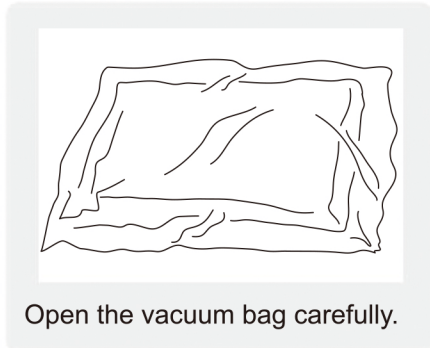
Safety and Care Advice

Important – Please read these instructions fully before starting assembly

Thanks for your purchase. Before the assembly, please follow the instruction to check if all the spare parts and screws are intact.

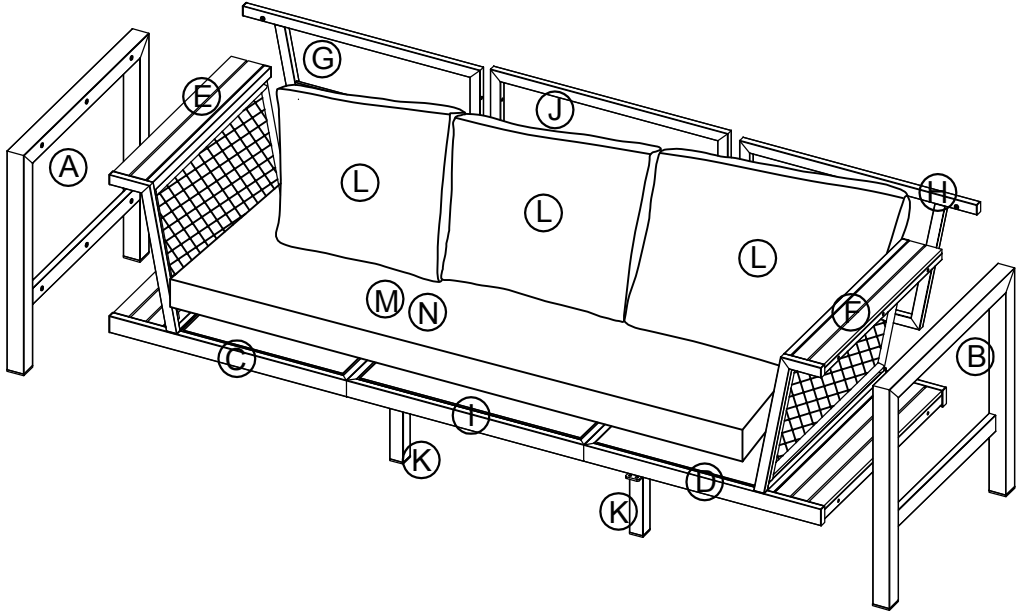
- Considering the size and weight of the sofa, we recommend two adults to assemble the sofa, on a carpeted or padded area, in the room that it is intended for. Approximate assembly time: 45 minutes.
- Keep all components and packaging out of reach of children or animals to avoid risk of choking or suffocation.
- Please do not throw away any of the packaging or the instruction until you have checked all the components and hardware and the furniture is fully assembled. Please ensure that the packaging is disposed of in a safe and environmentally friendly way.

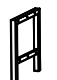










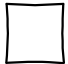
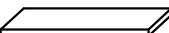

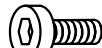
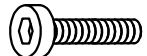
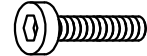
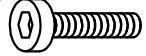
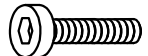


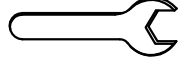

Your cushions come vacuum packed and sealed for shipping. To restore the cushion's original shape, follow the steps below.



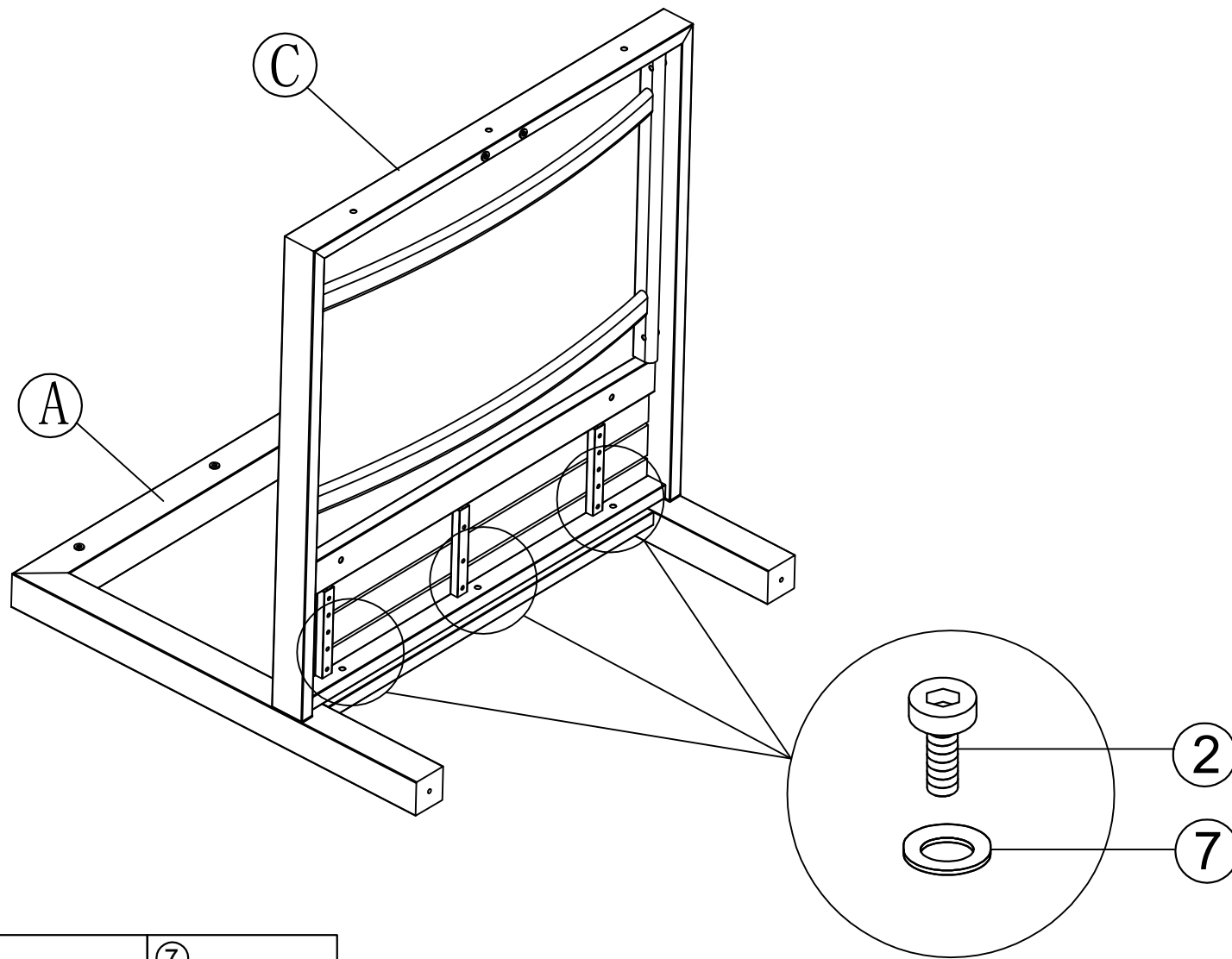
After packing up, place them in somewhere dry and ventilated. After about 72-96hours. It can be restored to the best use condition.

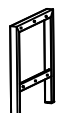
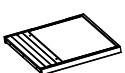
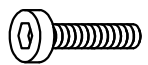

SOFA



<p>(A) Right Armrests</p>  <p>x1</p>	<p>(B) Left Armrests</p>  <p>x1</p>	<p>(C) Seat</p>  <p>x1</p>	<p>(D) Seat</p>  <p>x1</p>	<p>(E) Right Armrests</p>  <p>x1</p>	<p>(F) Left Armrests</p>  <p>x1</p>	<p>(G) Back</p>  <p>x1</p>	<p>(H) Back</p>  <p>x1</p>
<p>(I) Seat</p>  <p>x1</p>	<p>(J) Back</p>  <p>x1</p>	<p>(K) Leg</p>  <p>x2</p>	<p>(L) Back cushion</p>  <p>x3</p>	<p>(M) Seat cushion</p>  <p>x1</p>	<p>(N) Seat cushion cover</p>  <p>x1</p>	<p>(1)  M6*15</p> <p>x8</p>	<p>(2)  M6*35</p> <p>x18</p>
<p>(3)  M6*45</p> <p>x6</p>	<p>(4)  M6*50</p> <p>x6</p>	<p>(5)  M6*70</p> <p>x4</p>	<p>(6) Nut  M6</p> <p>x10</p>	<p>(7) Washer  M6</p> <p>x52</p>	<p>(8) Spanner </p> <p>x1</p>	<p>(9) Allen Key </p> <p>x1</p>	

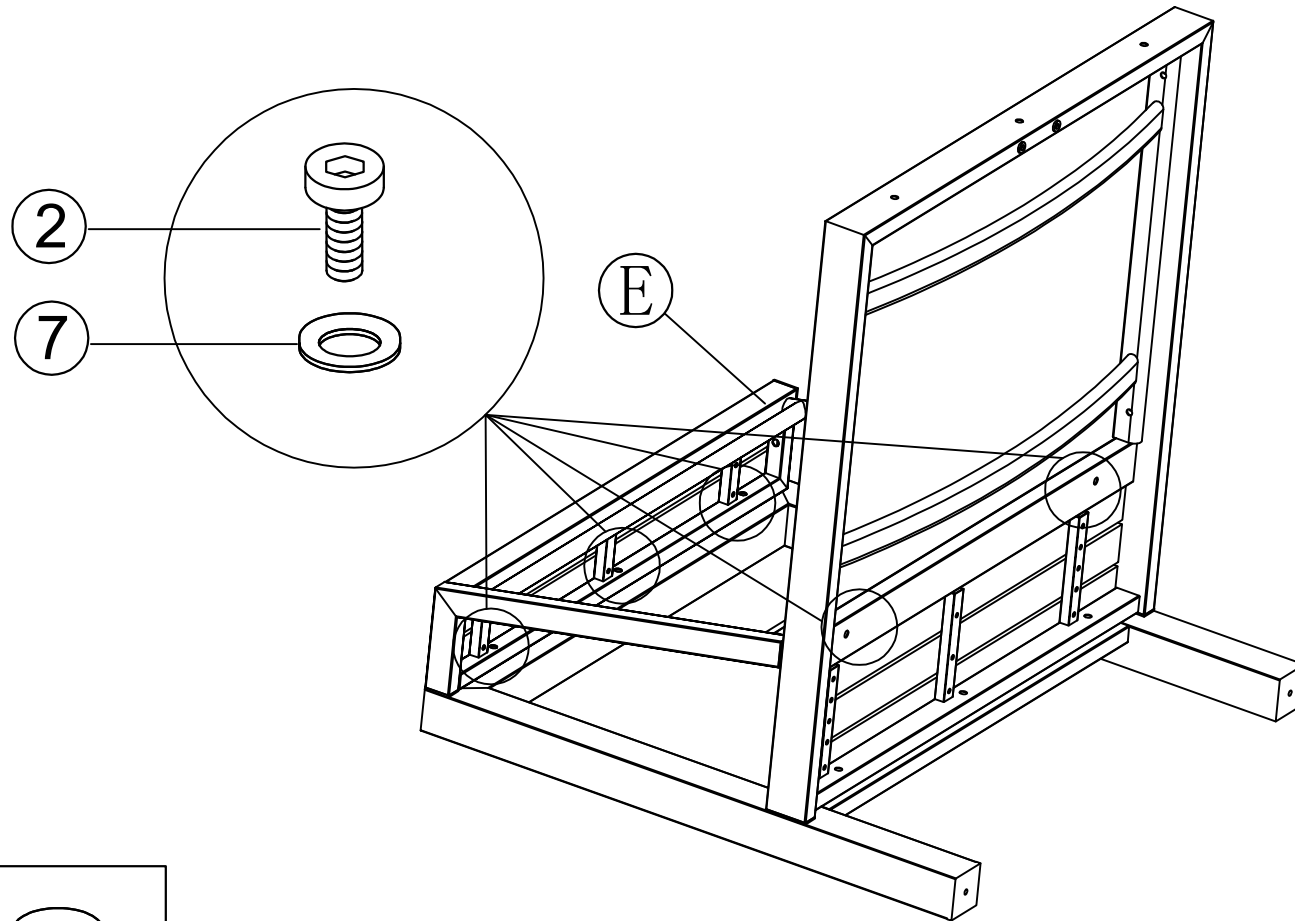
STEP1


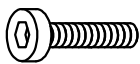



<p>(A) Right Armrests</p>  <p>x1</p>	<p>(C) Seat</p>  <p>x1</p>	<p>(2) M6*35</p>  <p>x3</p>	<p>(7) M6</p>  <p>x3</p>
---	---	--	---

Assembly Instruction

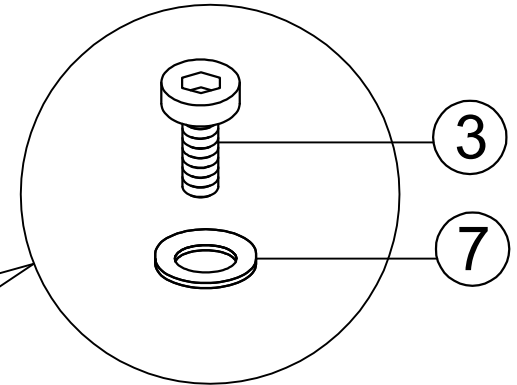
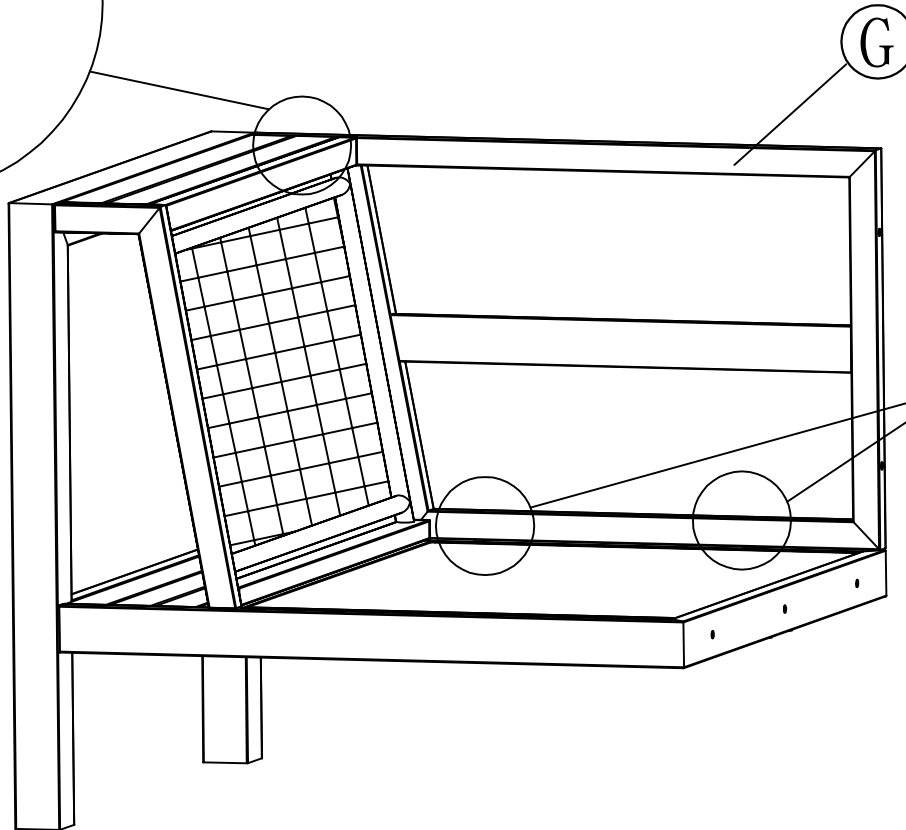
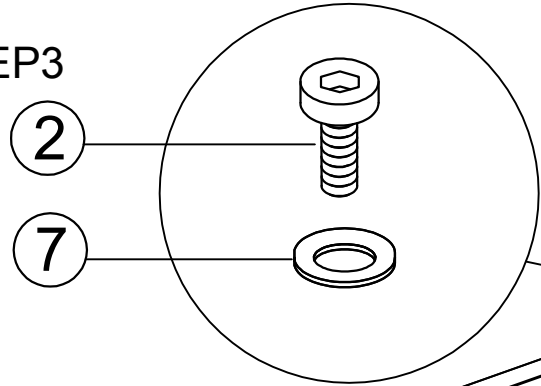
STEP2







(E) Right Armrests  x1	(2)  M6*35 x5	(7)  M6 x5
--	--	---

Assembly Instruction

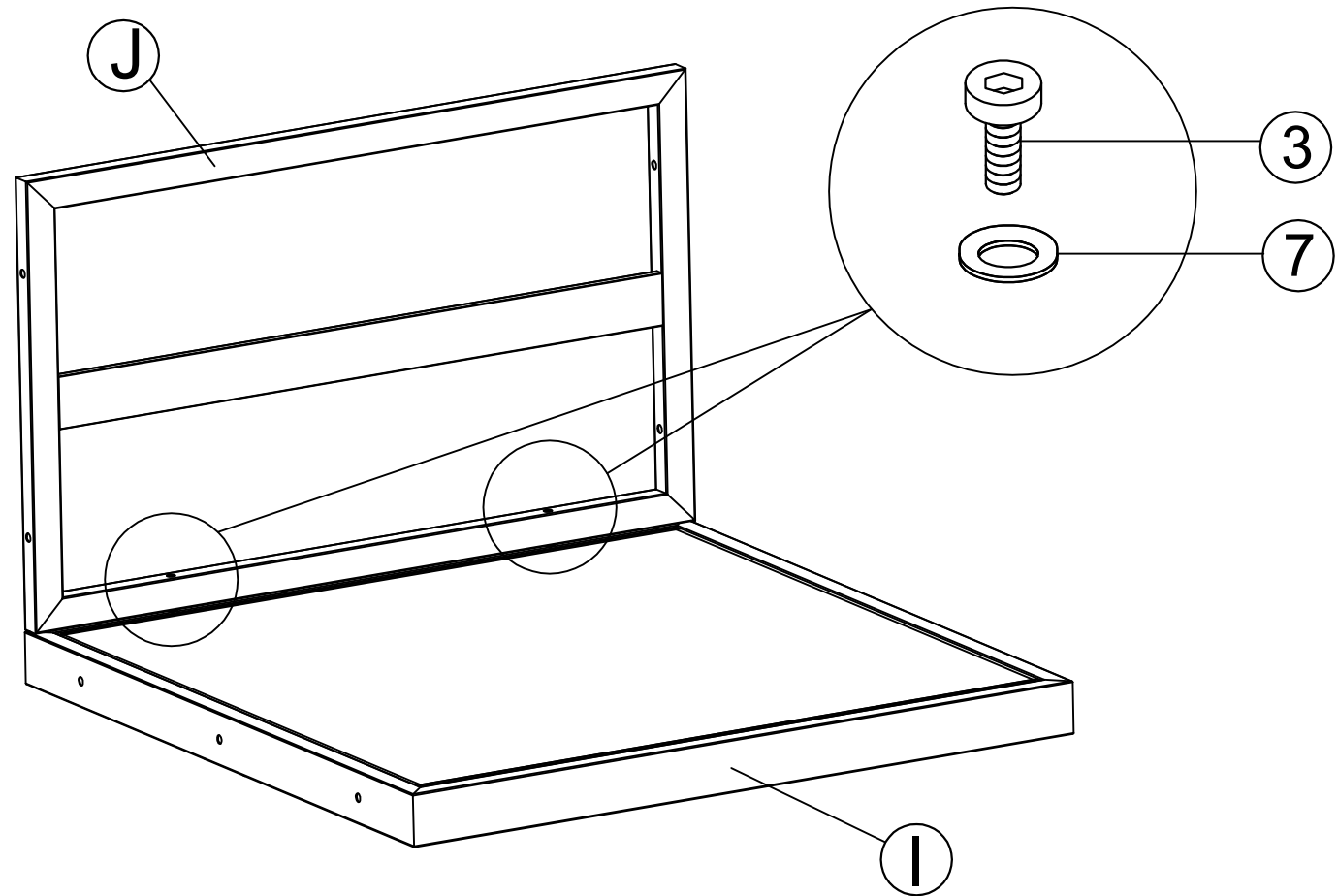
STEP 3



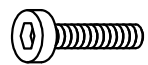



<p>Ⓒ Back</p>  <p>x1</p>	<p>Ⓐ M6*35</p>  <p>x1</p>	<p>Ⓑ M6*45</p>  <p>x2</p>	<p>Ⓒ M6</p>  <p>x3</p>
---	--	--	---

Assembly Instruction

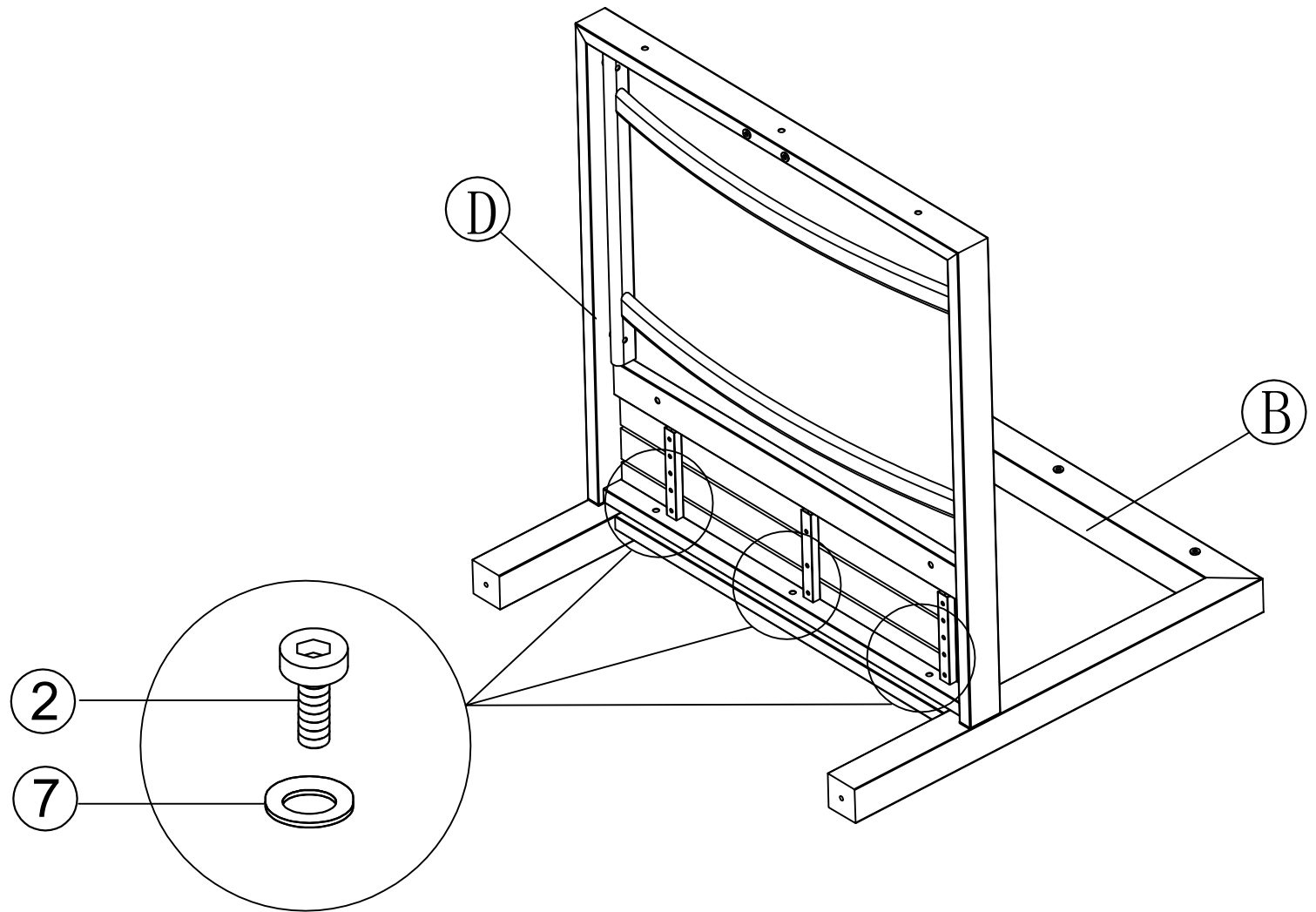
STEP4



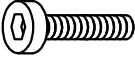



①	Seat	②	Back	③	M6*45	⑦	M6
							
x1		x1		x2		x2	

Assembly Instruction

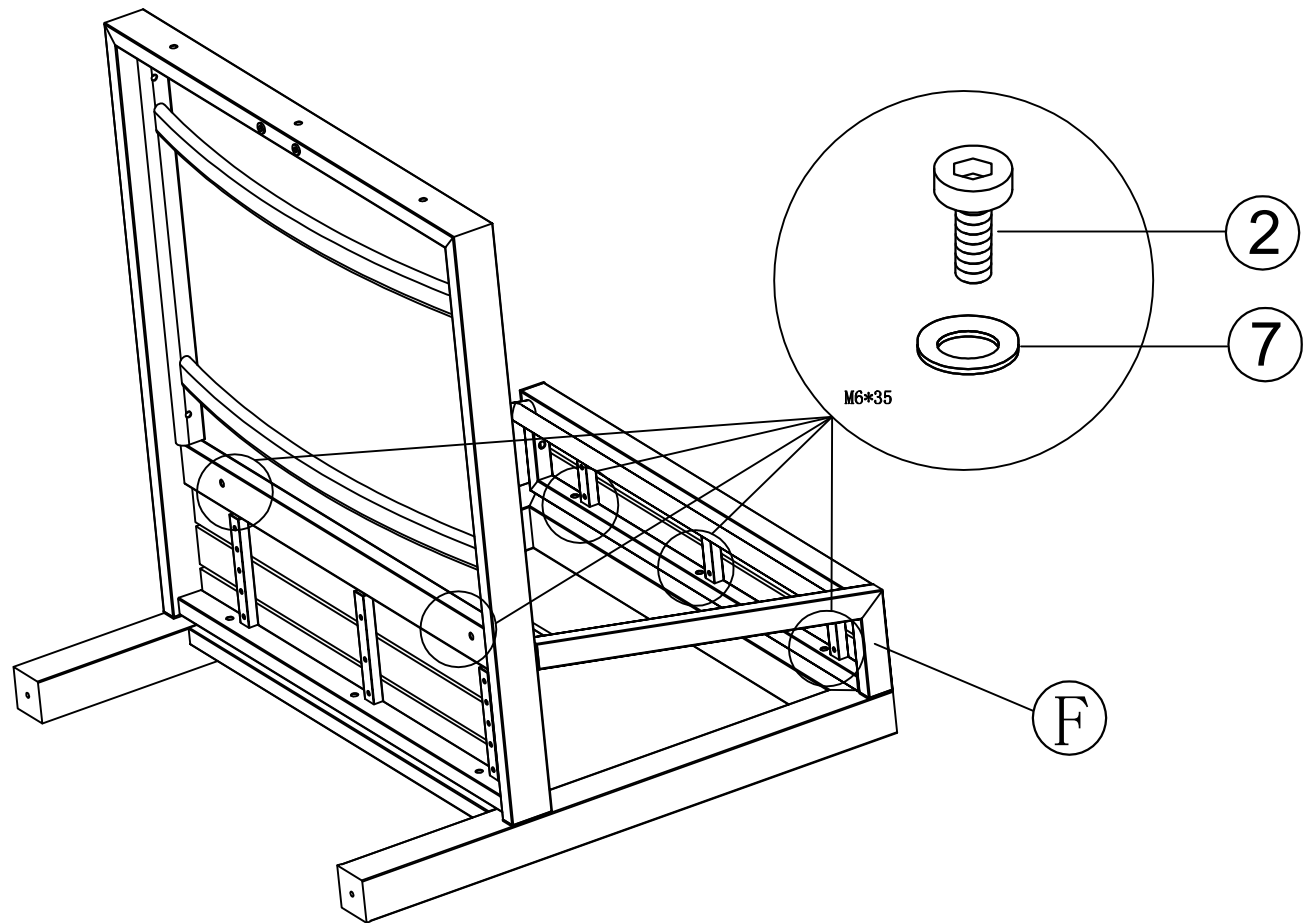
STEP5

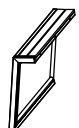
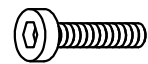



<p>(B) Left Armrests</p>  <p>x1</p>	<p>(D) Seat</p>  <p>x1</p>	<p>(2)  M6*35 x3</p>	<p>(7)  M6 x3</p>
--	---	---	--

Assembly Instruction

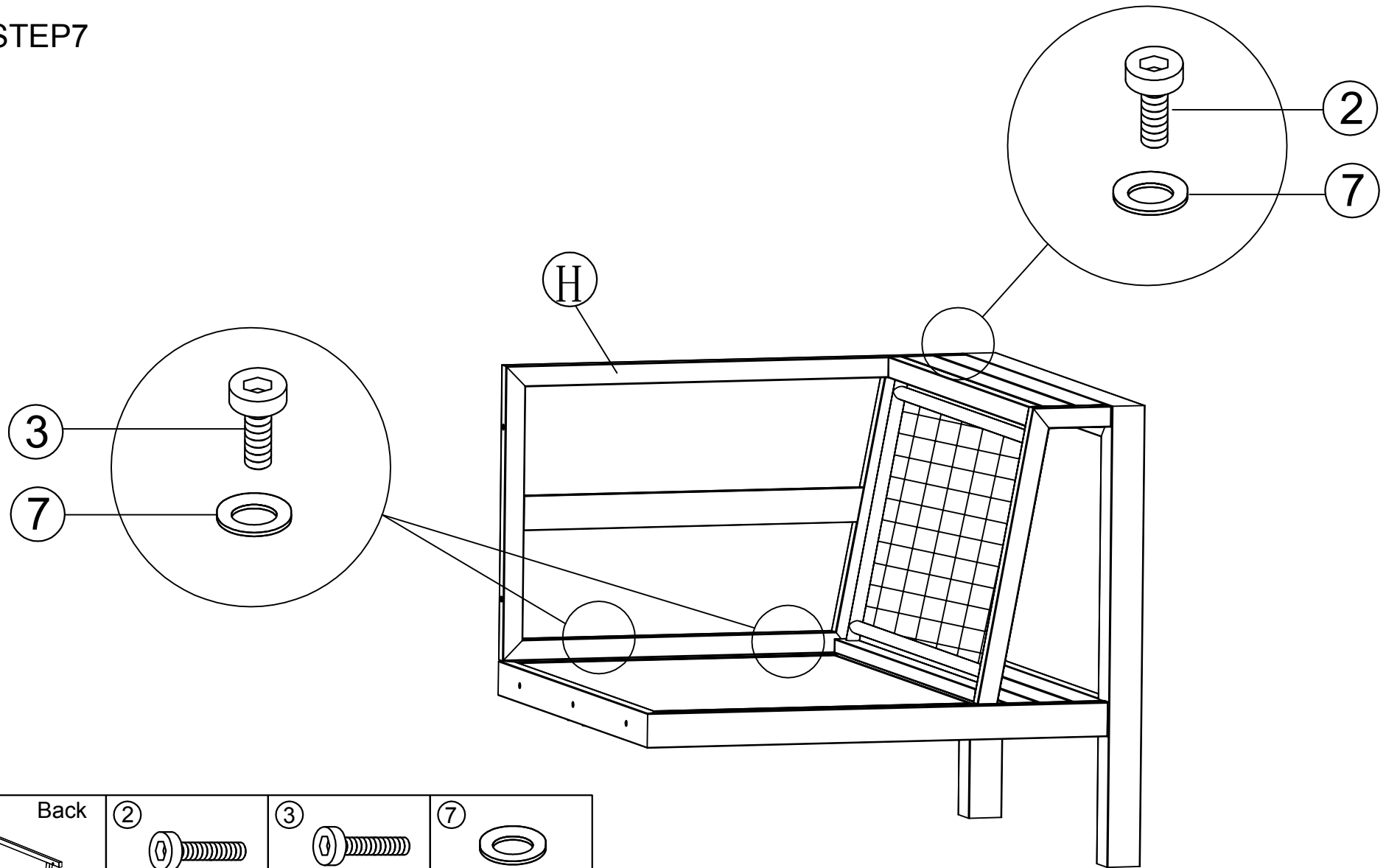
STEP6

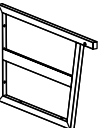
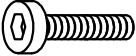
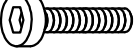



<p>(F) Left Armrests</p>  <p>x1</p>	<p>(2)</p>  <p>M6*35</p> <p>x5</p>	<p>(7)</p>  <p>M6</p> <p>x5</p>
--	---	--

Assembly Instruction

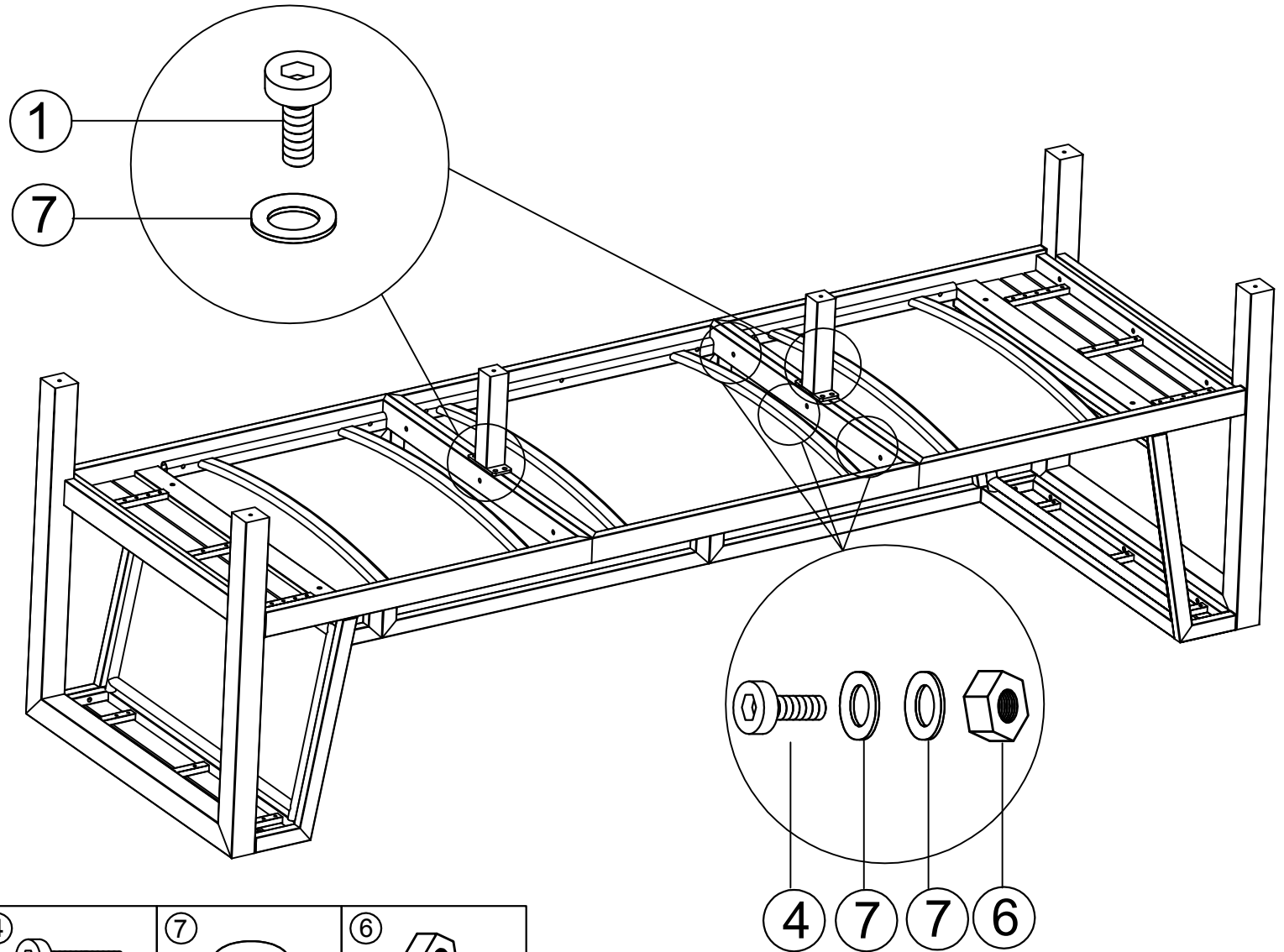
STEP 7

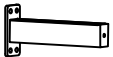
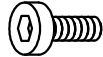
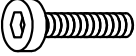




(H)	Back	(2)	(3)	(7)
				
x1		M6*35 x1	M6*45 x2	M6 x3

Assembly Instruction

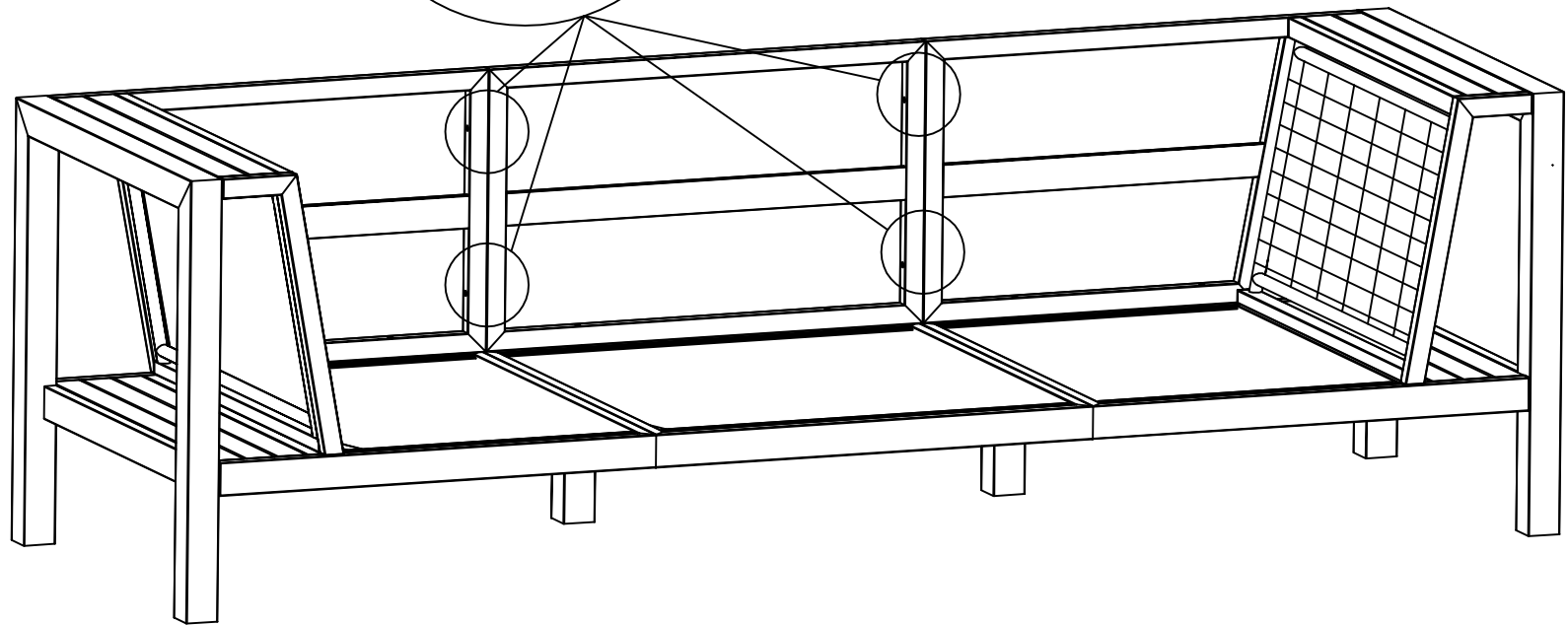
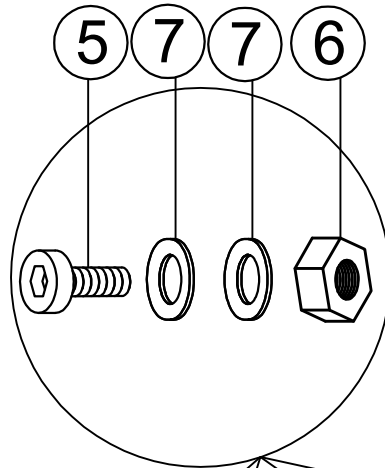
STEP8



(K)	Leg	(1)	(4)	(7)	(6)
					
x2	M6*15 x8	M6*50 x6	M6 x20	M6 x6	

Assembly Instruction

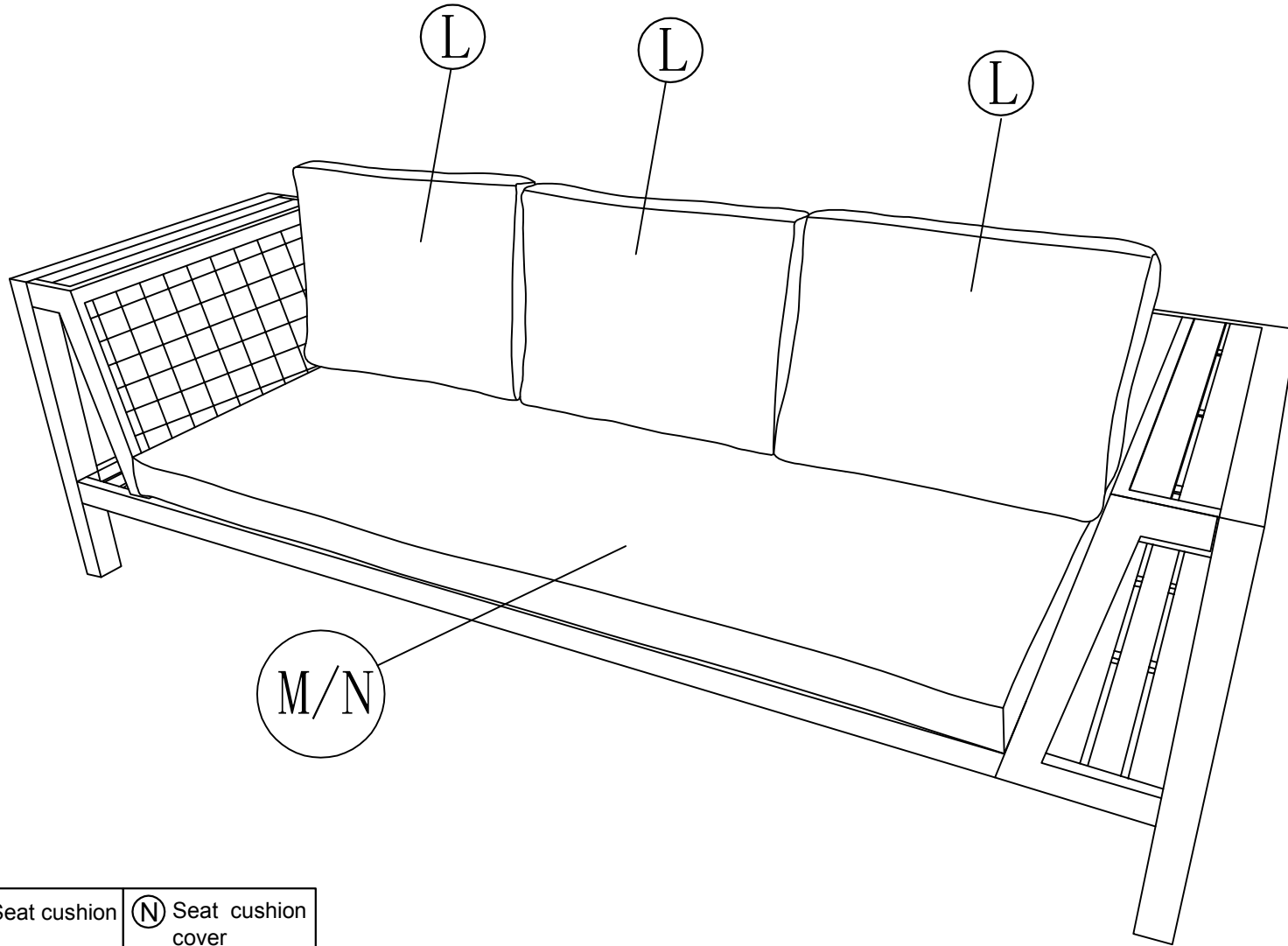
STEP9



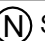
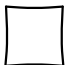
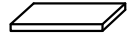



 M6*70 x4	 M6 x8	 M6 x4
-----------------	--------------	--------------

Assembly Instruction

STEP10



 Back cushion	 Seat cushion	 Seat cushion cover
		
x3	x1	x1