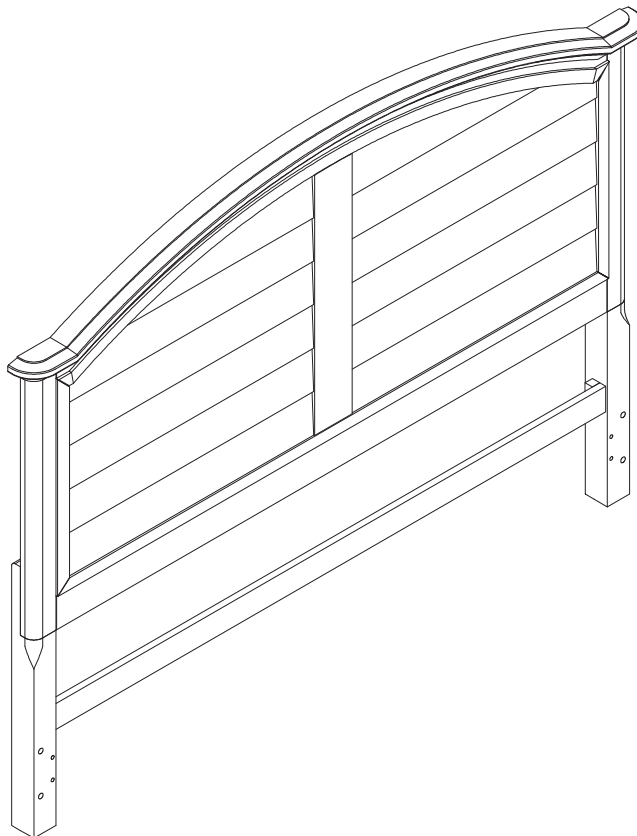


Assembly Instruction

2600-988 : 6/6 ARCHED PANEL HEADBOARD

2610-988 : 6/6 ARCHED PANEL HEADBOARD





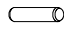


6/6 ARCHED PANEL HEADBOARD

Thank you for purchasing furniture from American Woodcrafters. We are honored that you have chosen our furniture to compliment your home. Every effort has been made to ensure that your furniture is of the finest quality. If you find that your furniture has a missing or damage part, contact the dealer from which you purchased the item and they will be glad to assist you.

Thanks again for making American Woodcrafters a part of your home.

Assembly Instruction

A. Component :	Qty			B. Hardware :	Qty
1. Panel Headboard	1 Pc	A	B	A. Bolt 5/16" x 45 mm	8 Pcs
2. Headboard Legs	2 Pcs			B. Lock Washer 5/16"	8 Pcs
3. Stretcher	1 Pc	C	D	C. Flat Washer Ø8 x Ø19 mm	8 Pcs
				D. Allen Key 5 mm	1 Pc
		E		E. Dowel	4 Pcs

Headboard Assembly

