

## ASSEMBLY INSTRUCTIONS



*Fine Furniture for every stage of life*

MOTION SOFA

## ASSEMBLY INSTRUCTIONS

### ASSEMBLY TIPS:

- 1.Remove hardware from box and sort by size.
- 2.Please check to see that all hardware and parts are present prior to start of assembly.
- 3.Please follow attached instruction in the same sequence as numbered to assure fast & easy assembly.



#### WARNING!

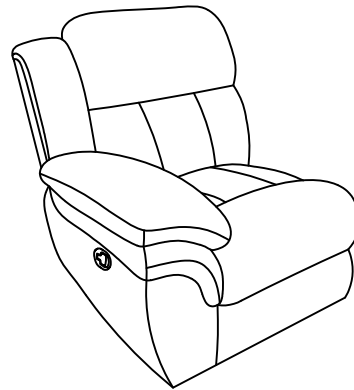
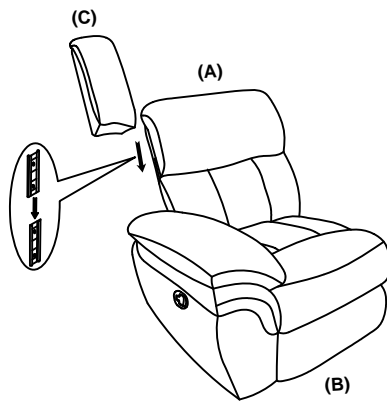
- 1.Don't attempt to repair or modify parts that are broken or defective. Please contact the store immediately.
- 2.This product is for home use only and not intended for commercial establishment.



ASSEMBLY TIME

2 MINUTES

## PARTS IDENTIFICATION



**A BACK**



**1 PC**

**B BASE**



**1 PC**

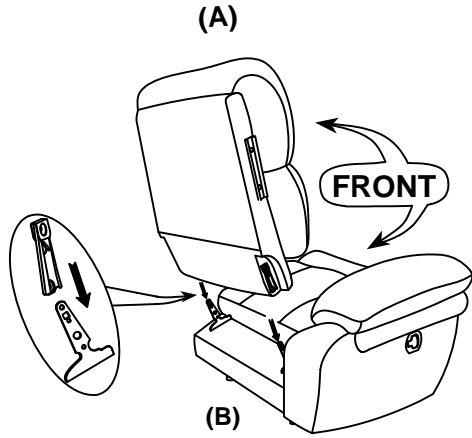
**C LEFT EAR**



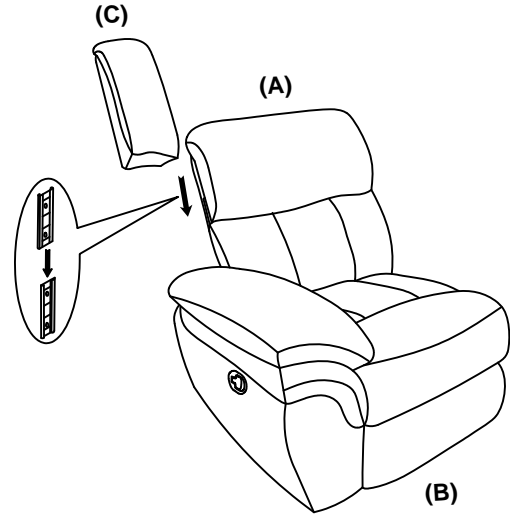
**1 PC**

# ASSEMBLY INSTRUCTIONS

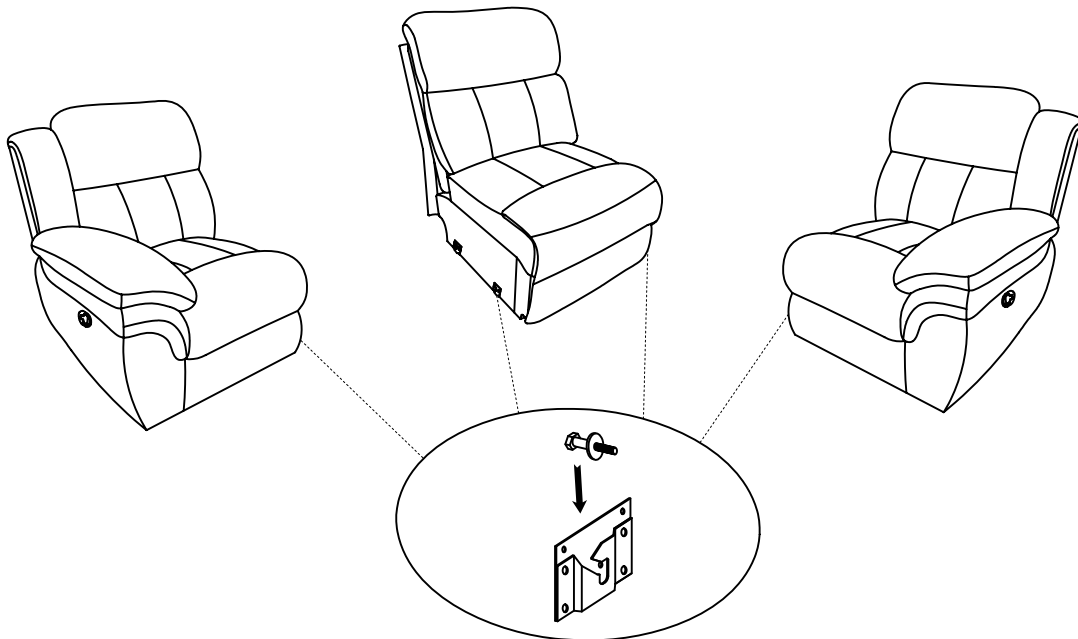
## STEP 1



## STEP 2



## STEP 3



## ASSEMBLY INSTRUCTIONS

### ASSEMBLY TIPS:

- 1.Remove hardware from box and sort by size.
- 2.Please check to see that all hardware and parts are present prior to start of assembly.
- 3.Please follow attached instruction in the same sequence as numbered to assure fast & easy assembly.



#### WARNING!

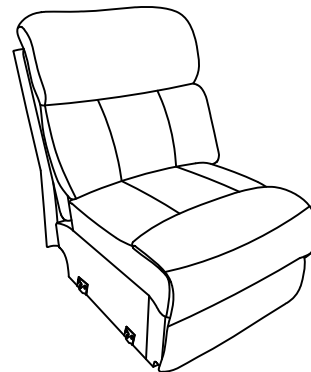
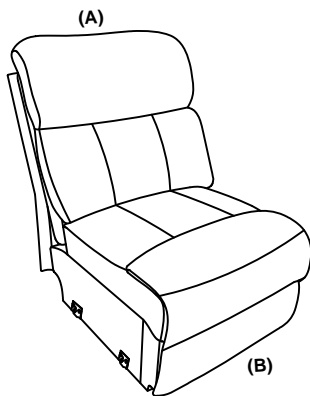
- 1.Don't attempt to repair or modify parts that are broken or defective. Please contact the store immediately.
- 2.This product is for home use only and not intended for commercial establishment.



ASSEMBLY TIME

2 MINUTES

## PARTS IDENTIFICATION



**A BACK**



**1 PC**

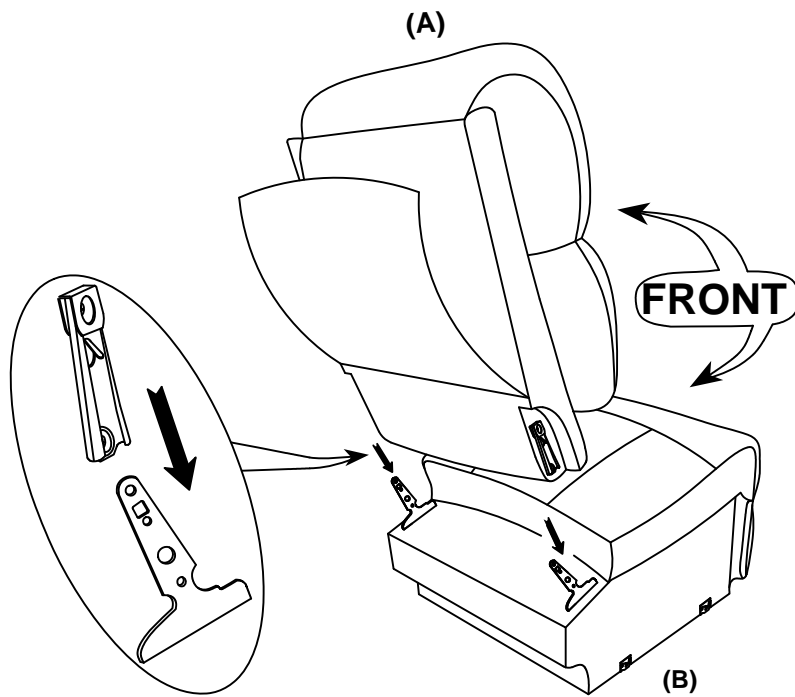
**B BASE OF ARMLESS CHAIR**



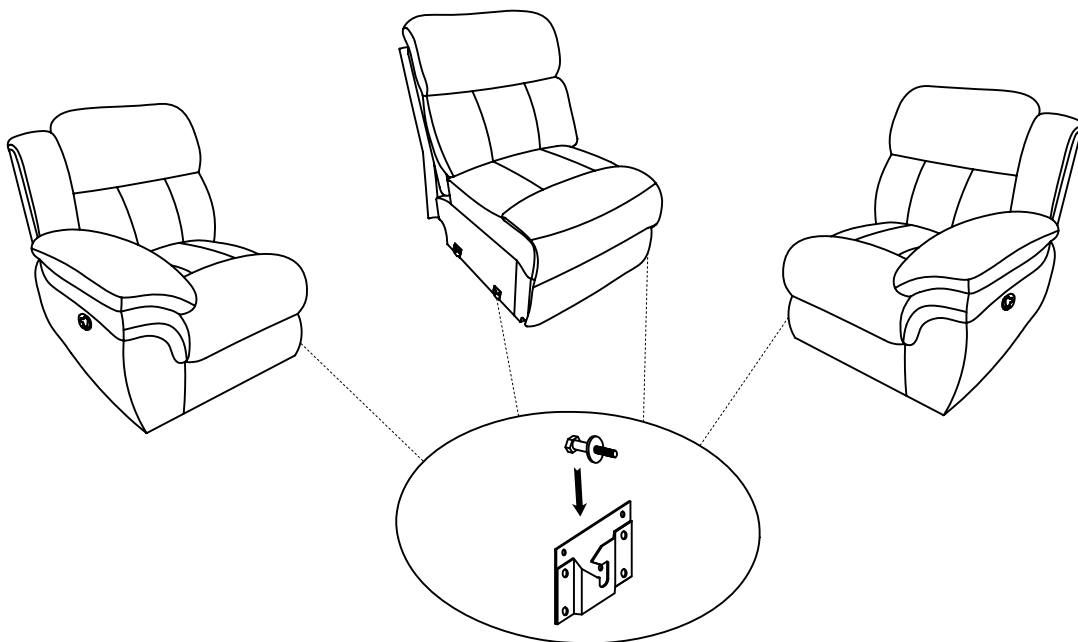
**1 PC**

# ASSEMBLY INSTRUCTIONS

## STEP 1



## STEP 2



## ASSEMBLY INSTRUCTIONS

### ASSEMBLY TIPS:

- 1.Remove hardware from box and sort by size.
- 2.Please check to see that all hardware and parts are present prior to start of assembly.
- 3.Please follow attached instruction in the same sequence as numbered to assure fast & easy assembly.



#### WARNING!

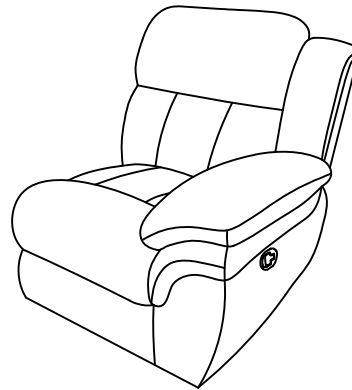
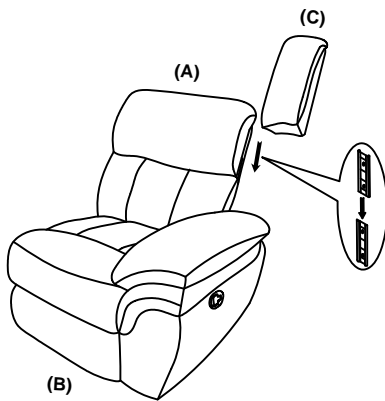
- 1.Don't attempt to repair or modify parts that are broken or defective. Please contact the store immediately.
- 2.This product is for home use only and not intended for commercial establishment.



ASSEMBLY TIME

2 MINUTES

## PARTS IDENTIFICATION



**A BACK**



**1 PC**

**B BASE**



**1 PC**

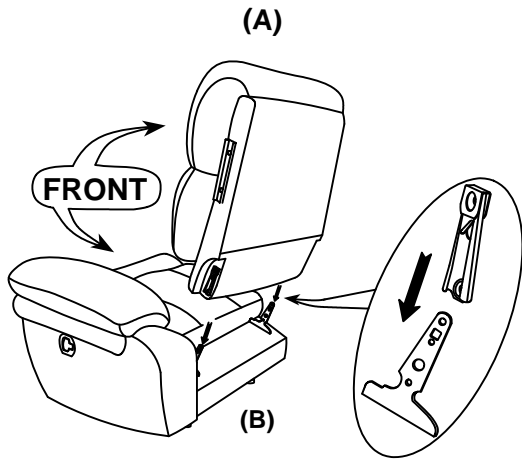
**C RIGHT EAR**



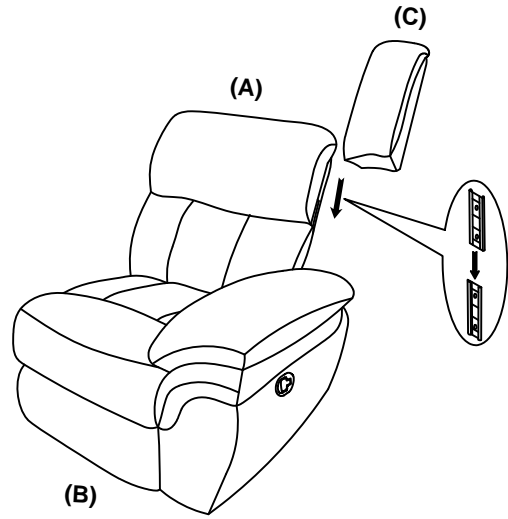
**1 PC**

# ASSEMBLY INSTRUCTIONS

## STEP 1



## STEP 2



## STEP 3

