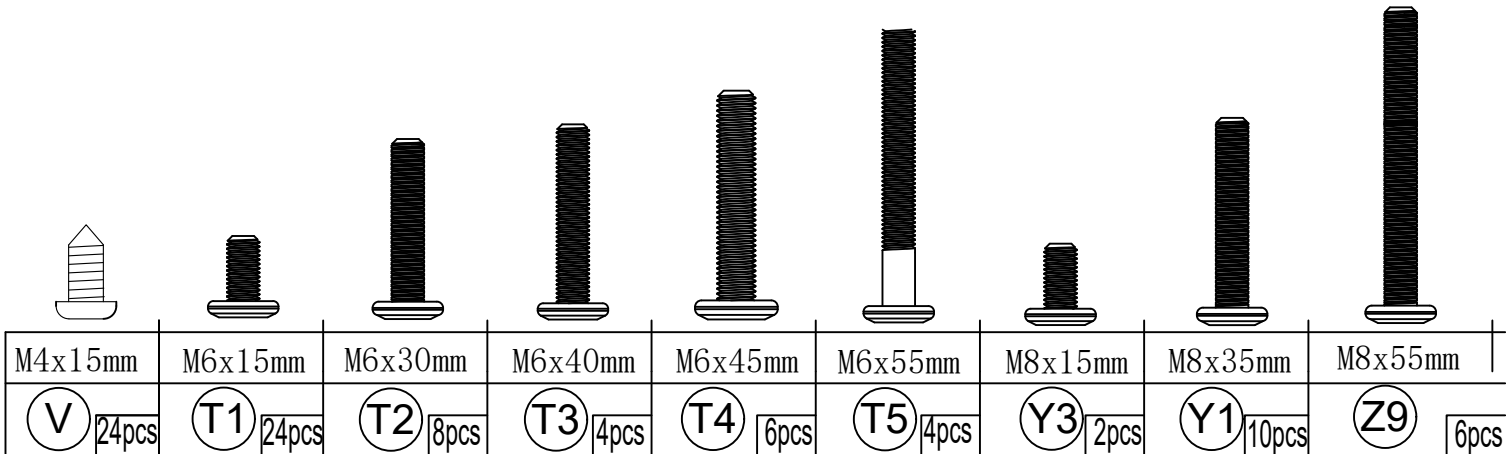
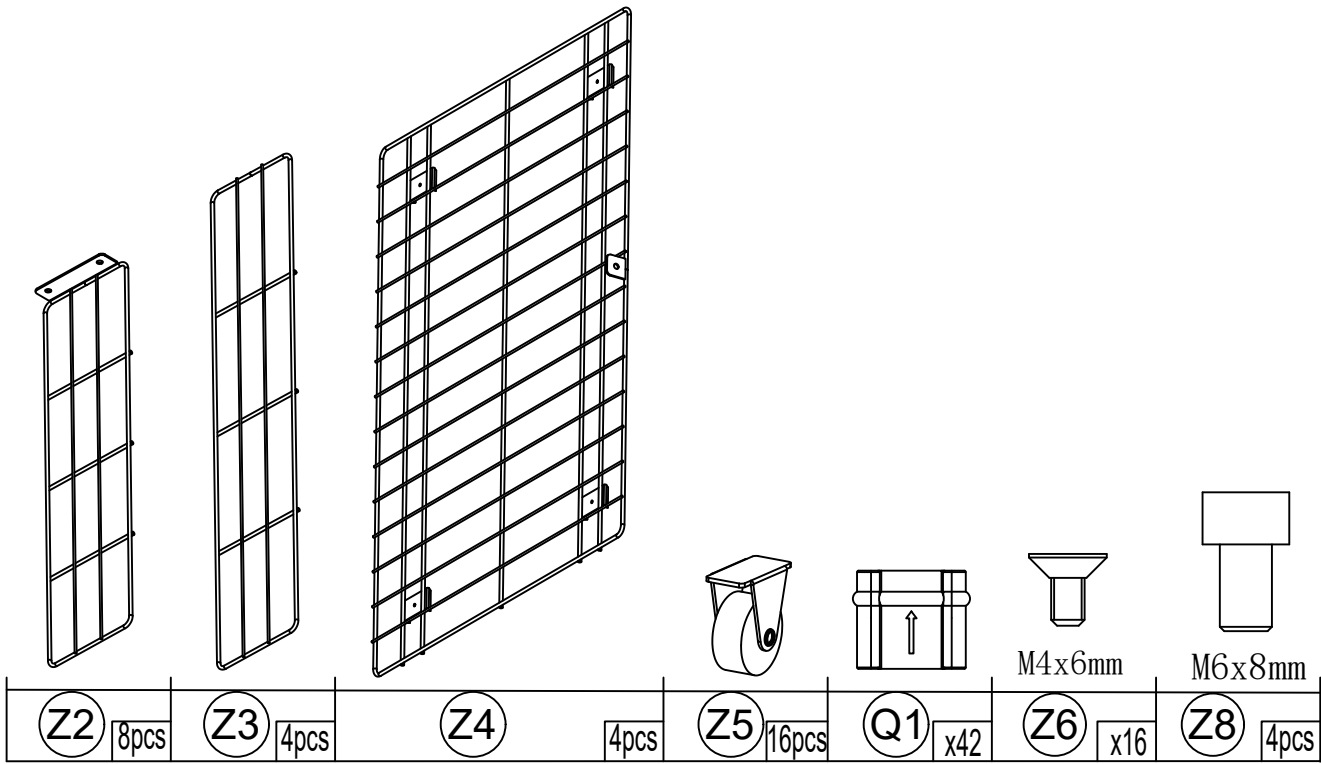
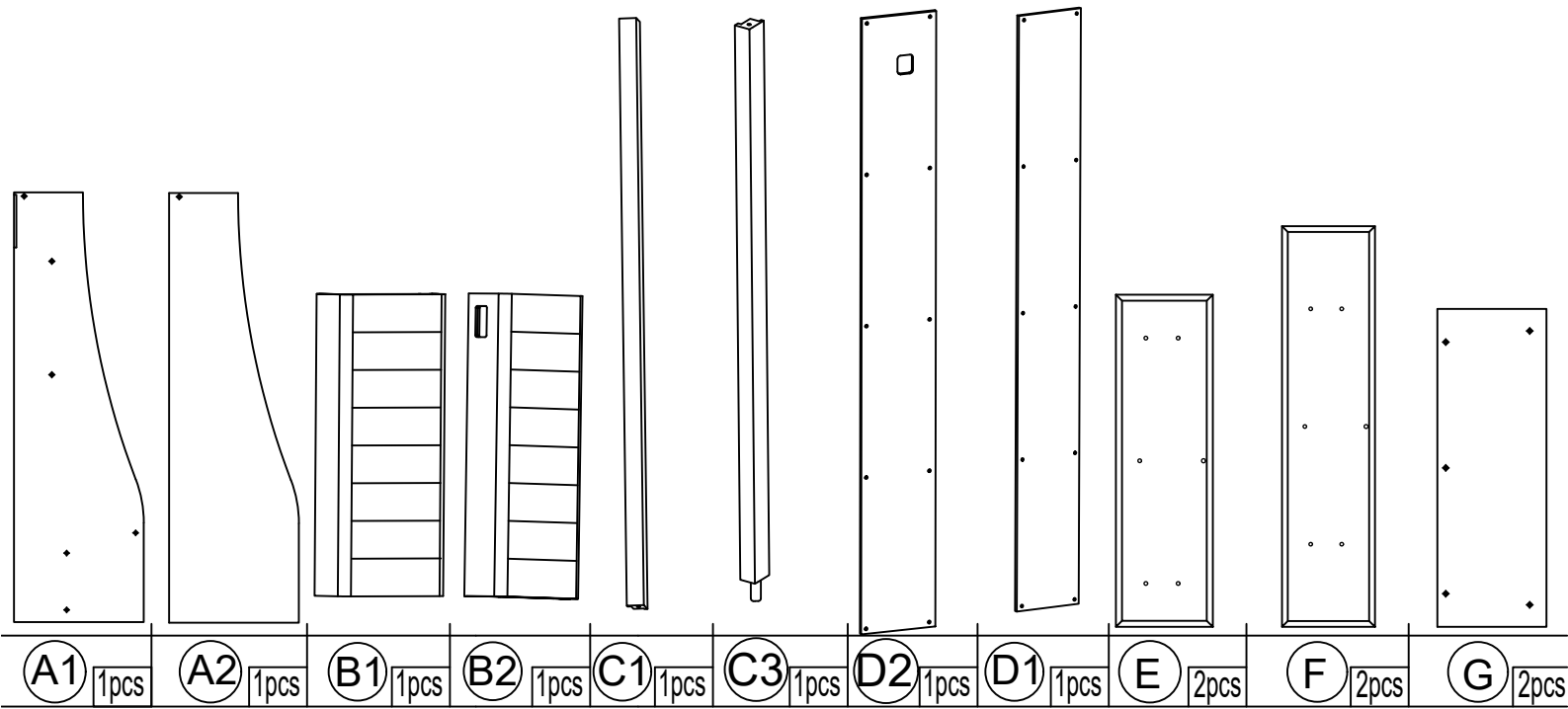
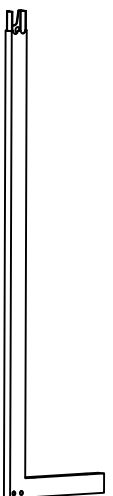
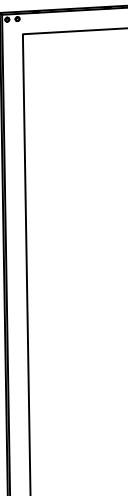
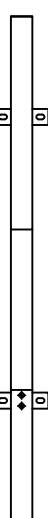
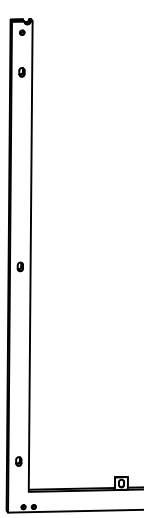
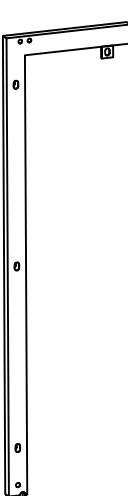
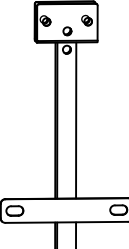
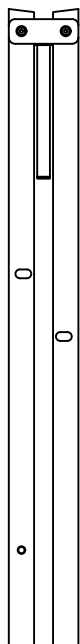
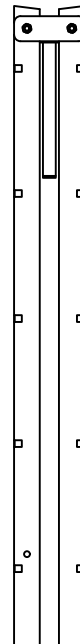
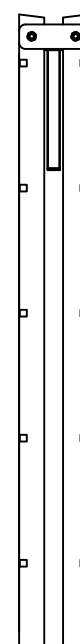
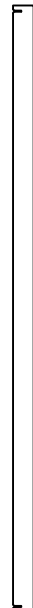


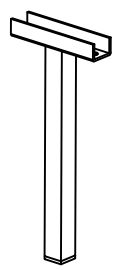
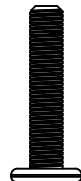
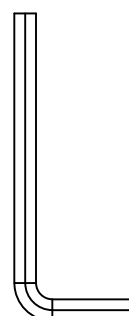
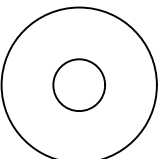
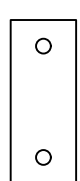
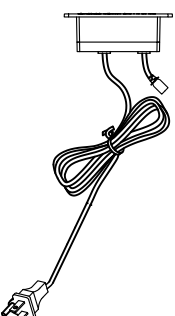


INSTALLATION MANUAL

Parts List:

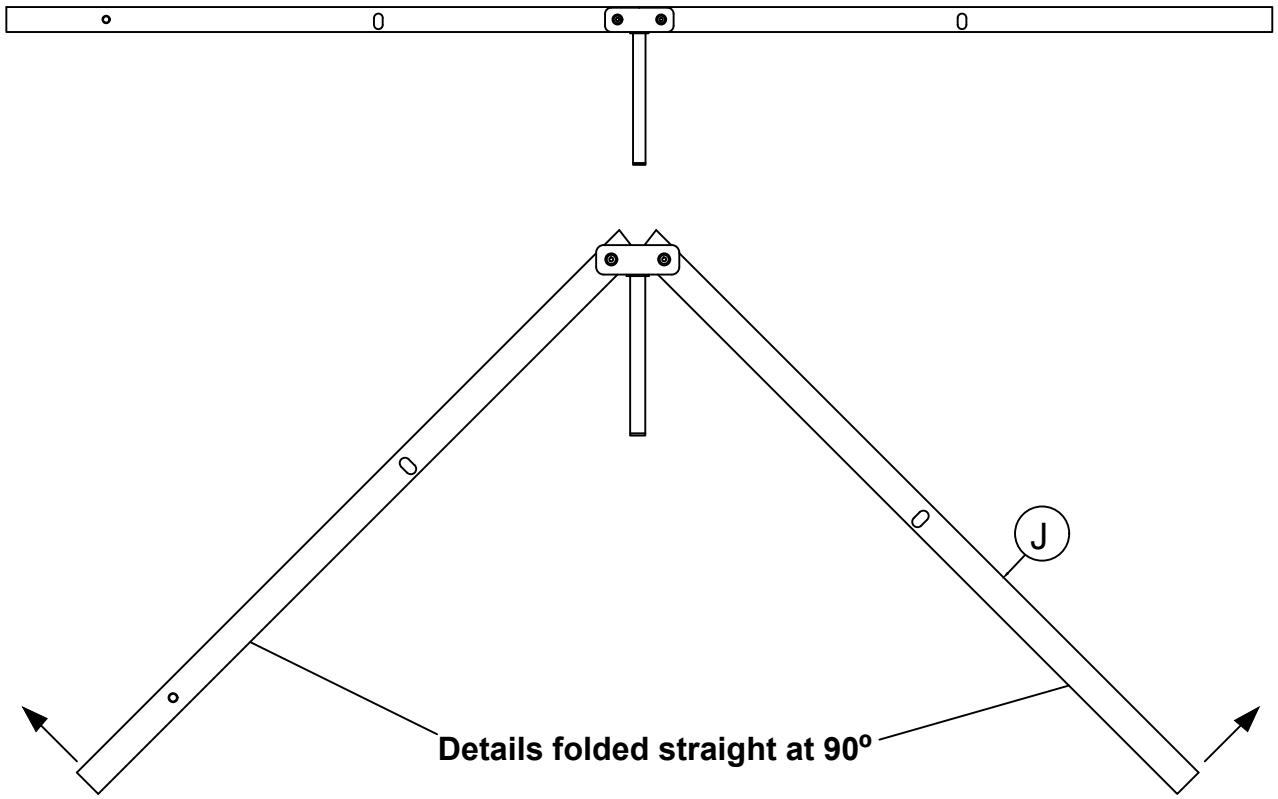


Parts List:

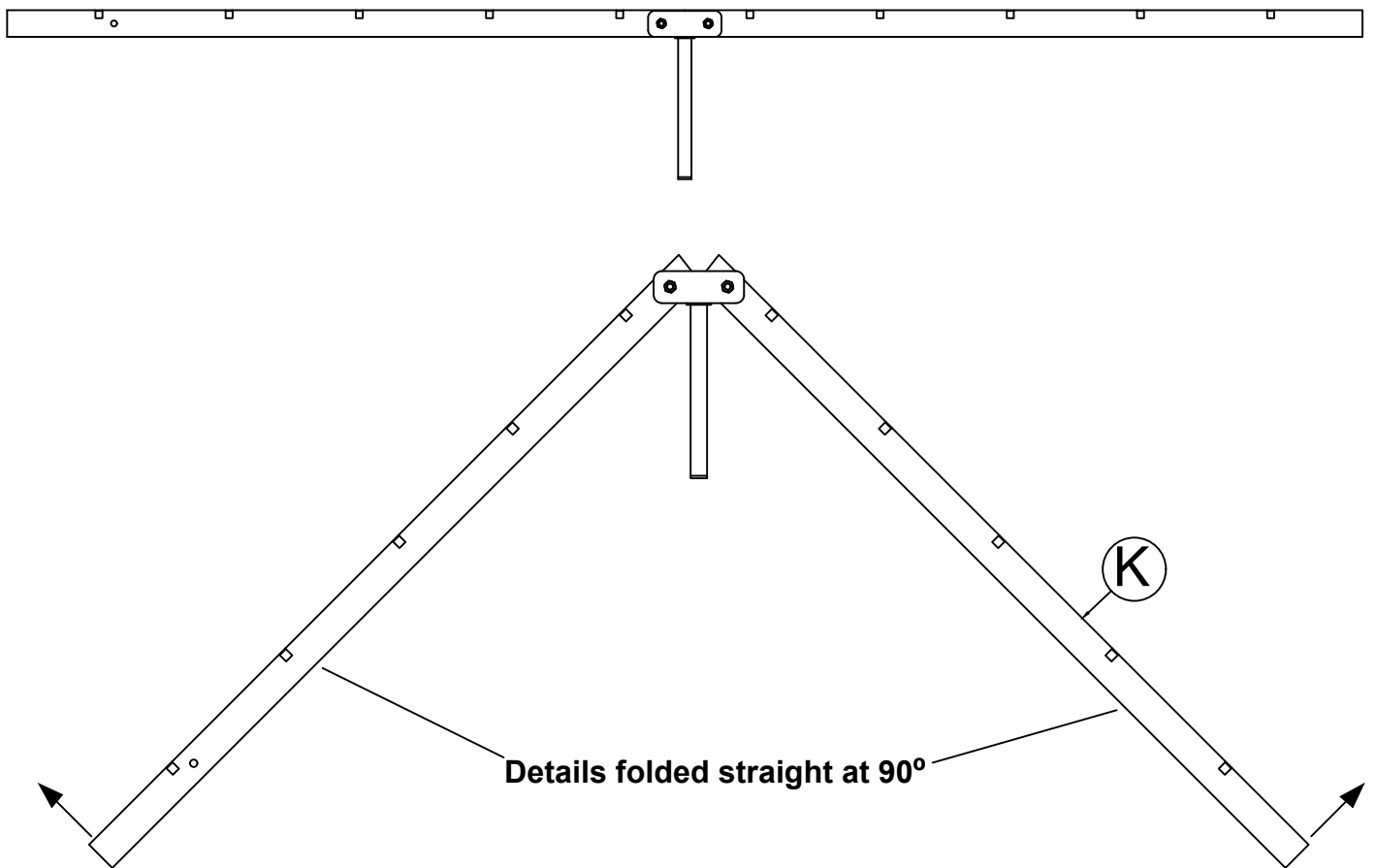
									
(H1) 1pcs	(H2) 1pcs	(H3) 1pcs	(I1) 1pcs	(I2) 1pcs	(I3) 1pcs	(J) 1pcs	(K) 1pcs	(L) 1pcs	(M) 20pcs

							
(P) 2pcs	M8x30mm	KEY 4	Ø6xØ18mm	(C2) 1pcs	(U3) 1pcs	(U1) 1pcs	
	(Z10) 2pcs	(W) 1pcs	(X) 8pcs				

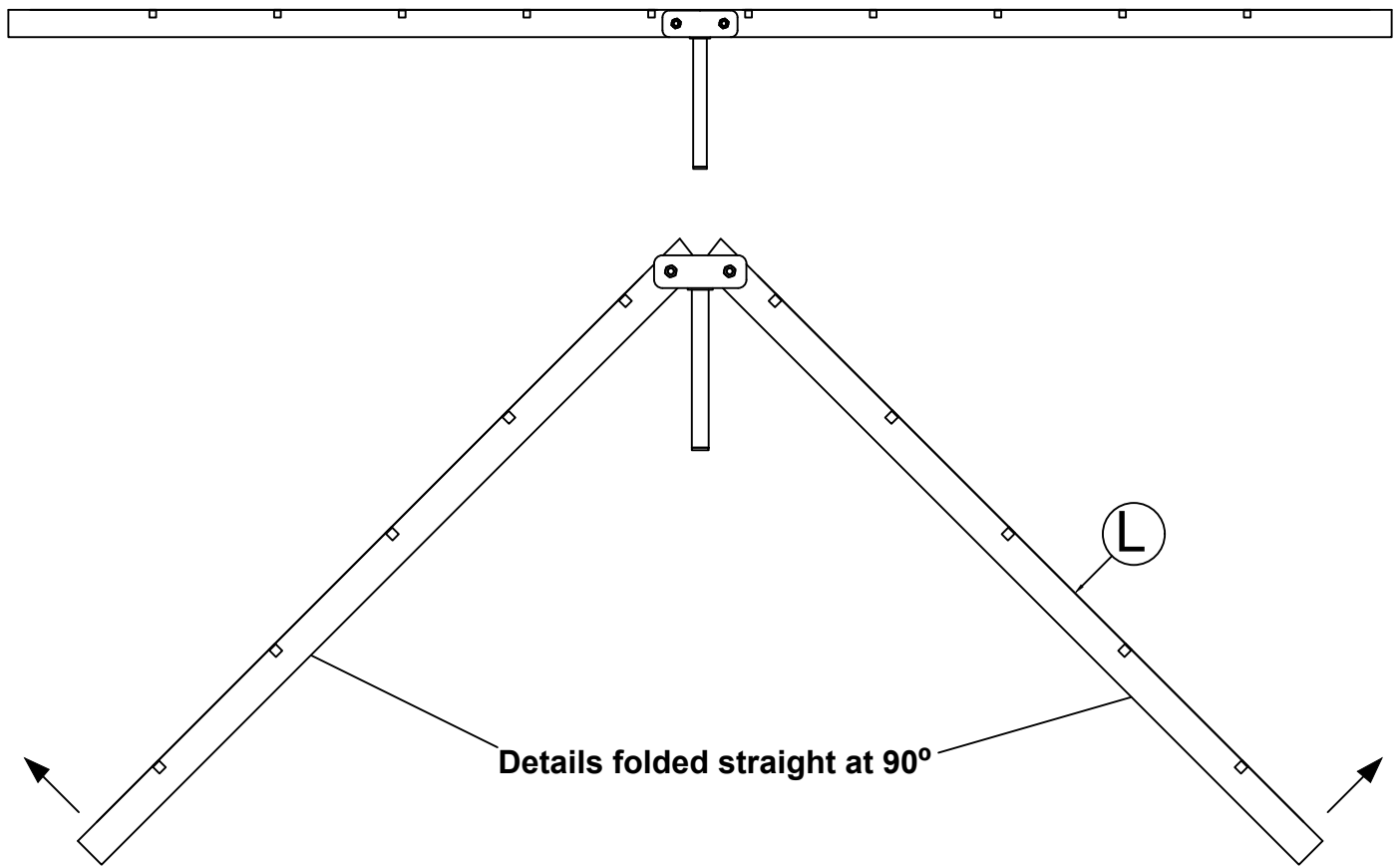
Step 1



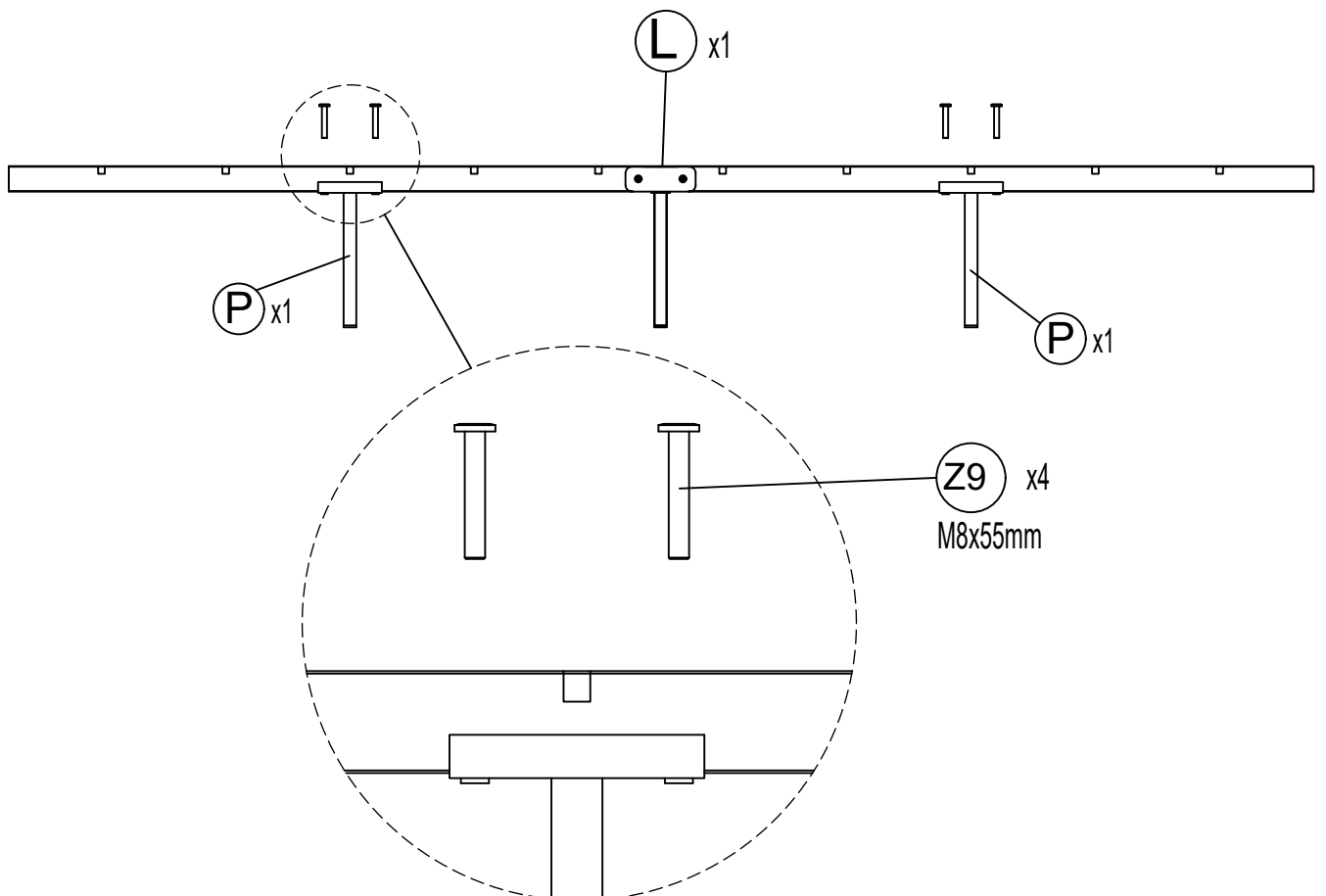
Step 2



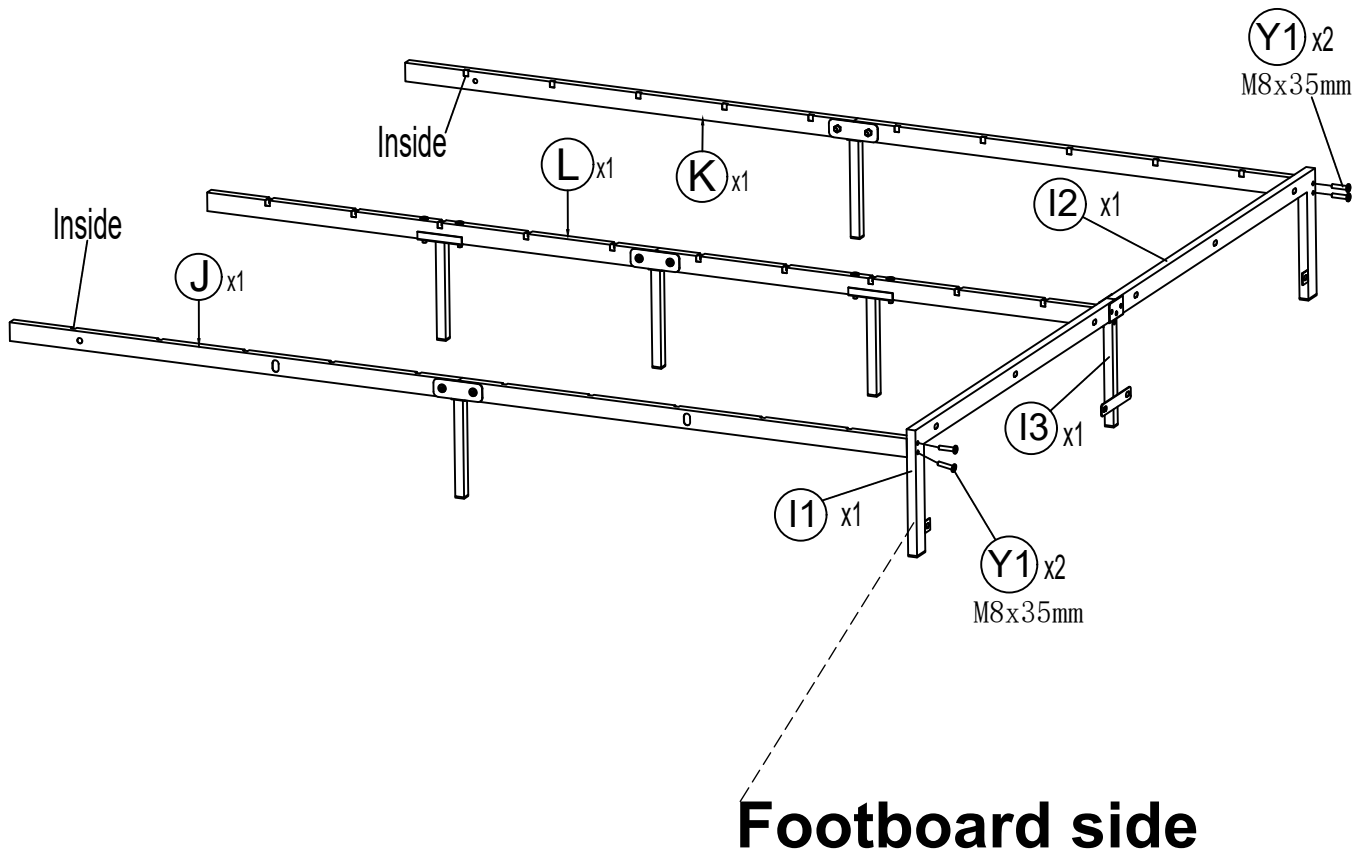
Step 3



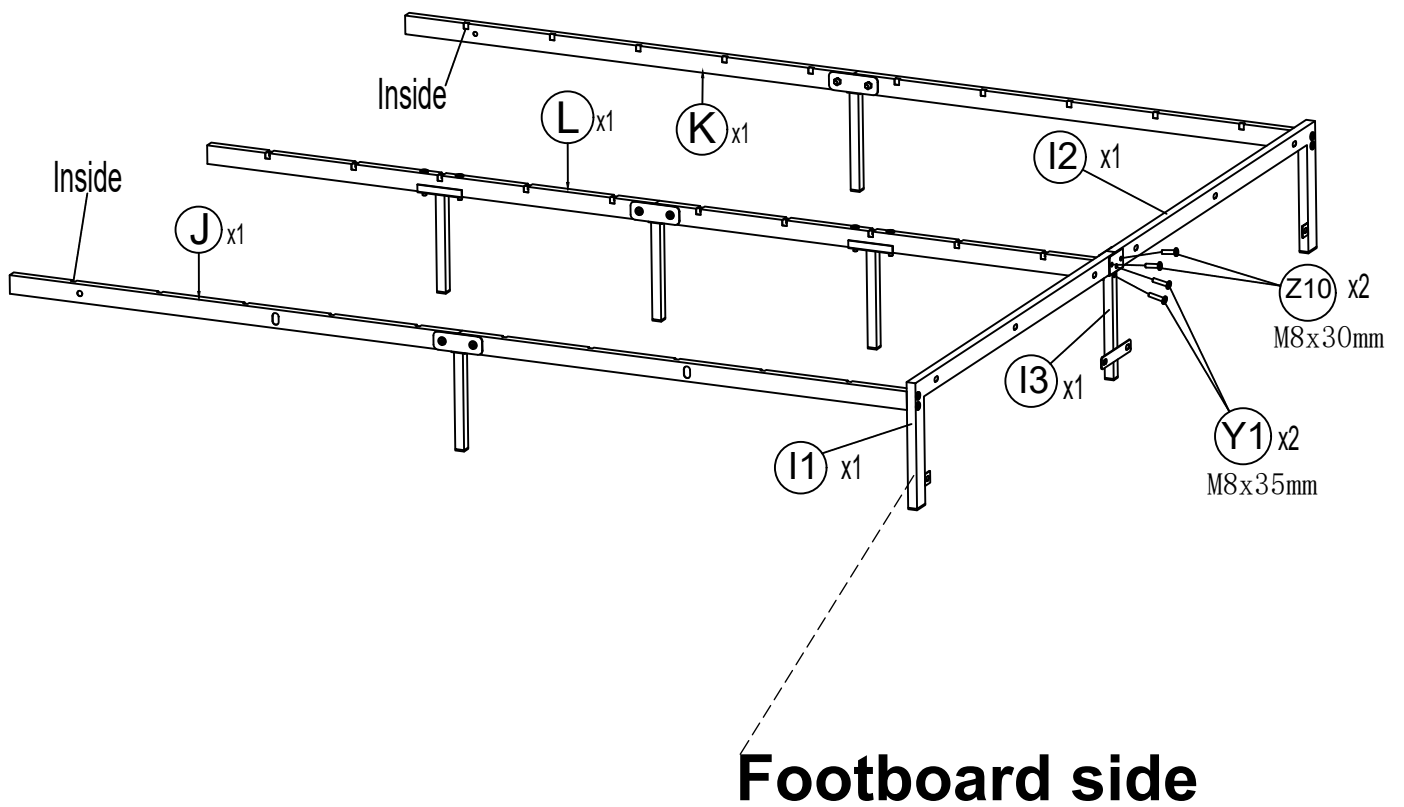
Step 4



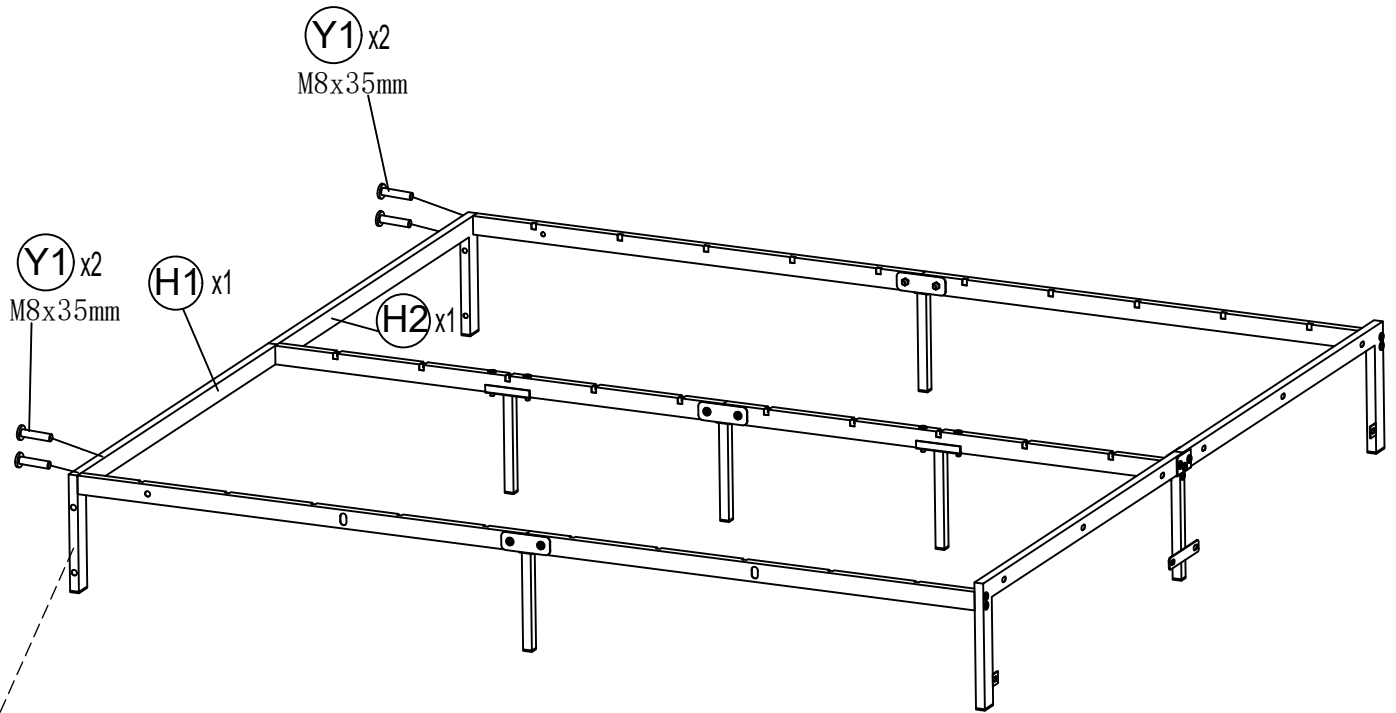
Step 5



Step 6

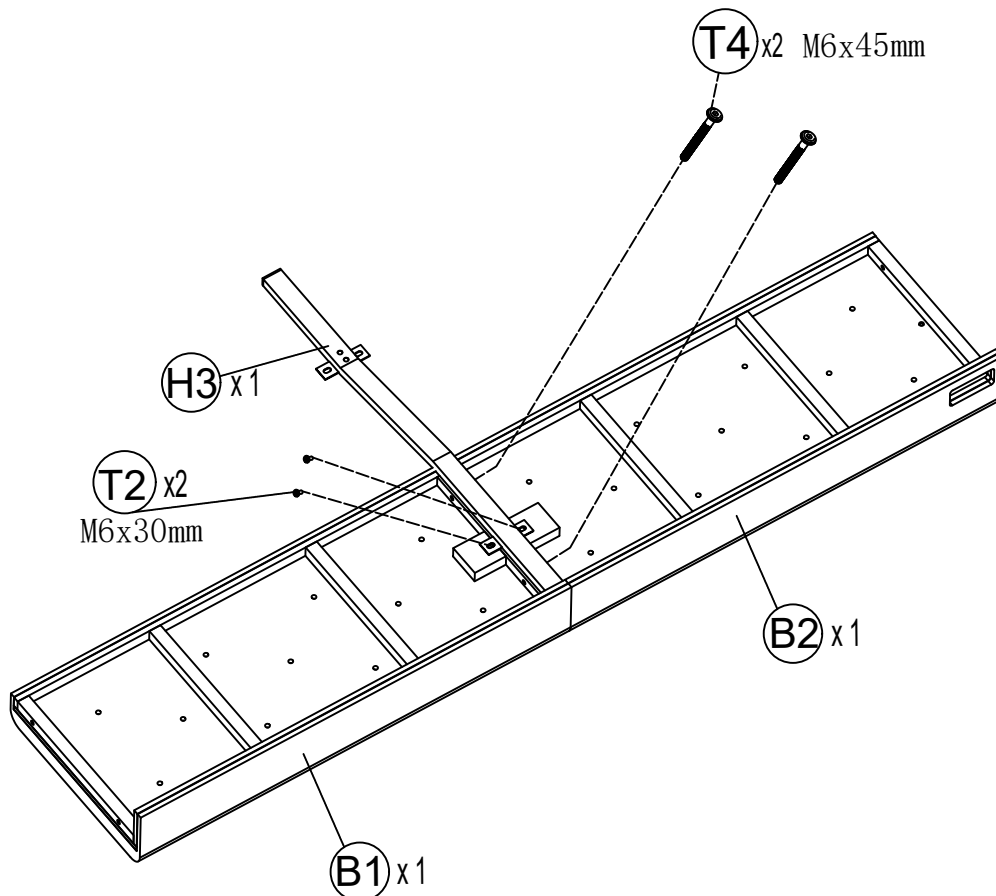


Step 7

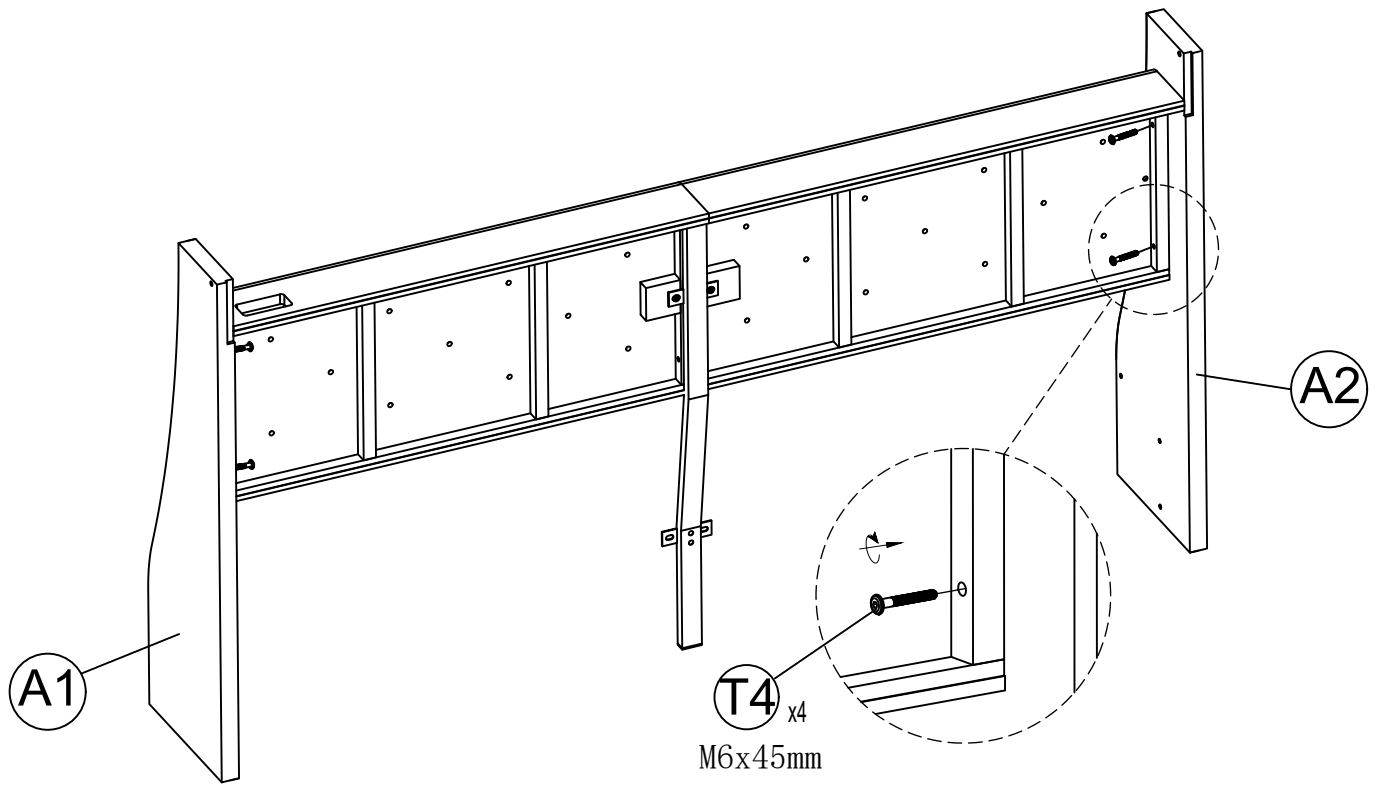


Headboard side

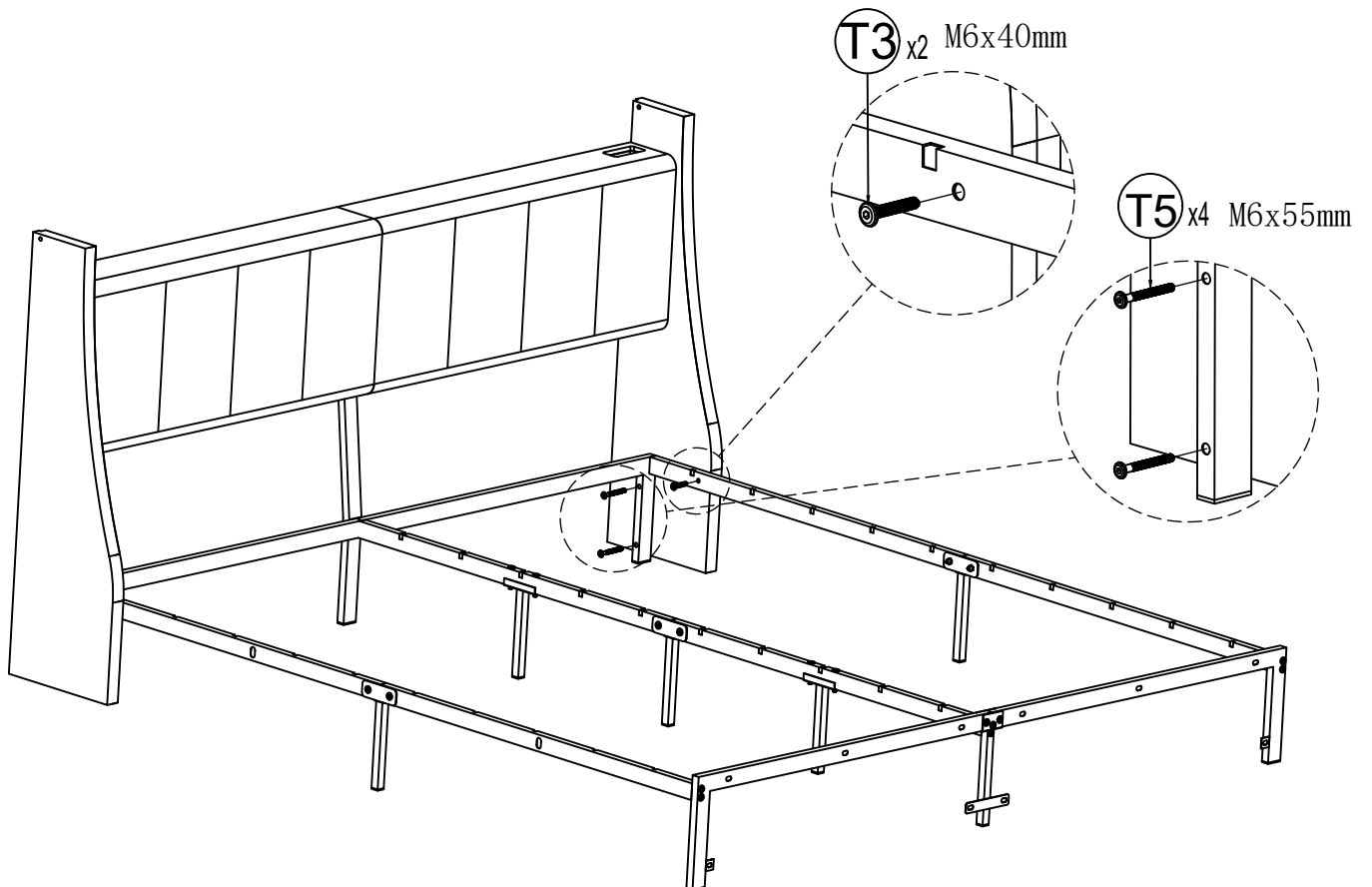
Step 8



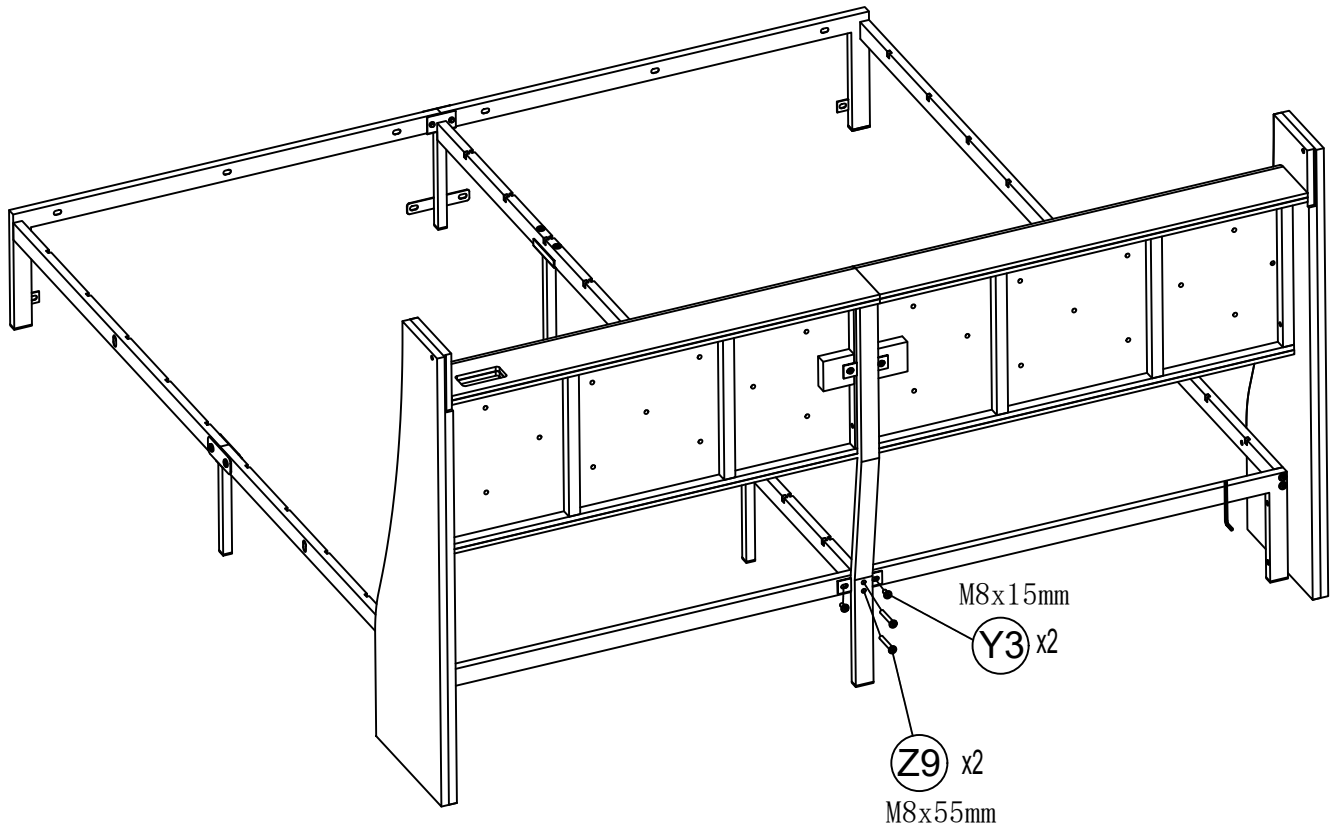
Step 9



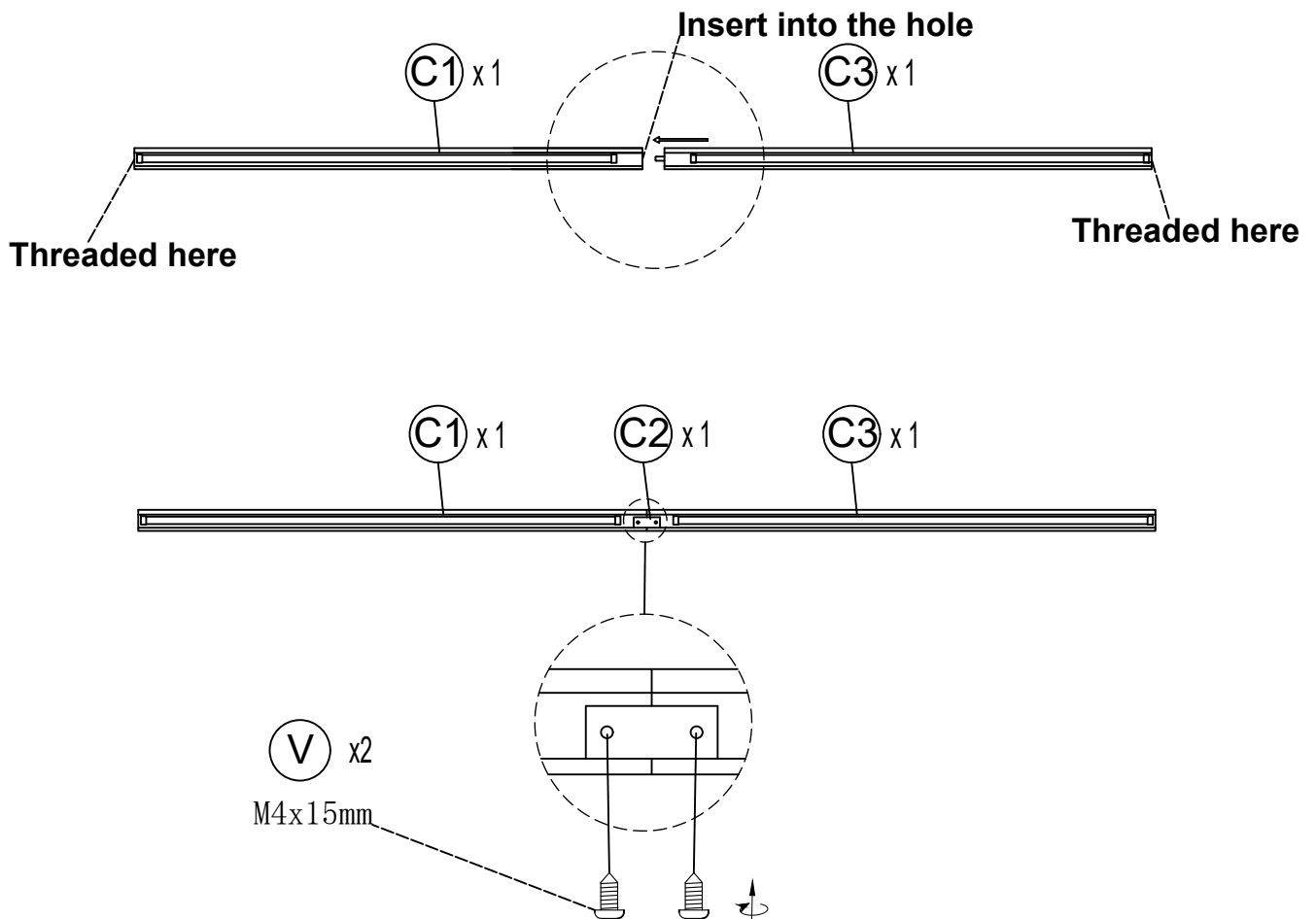
Step 10



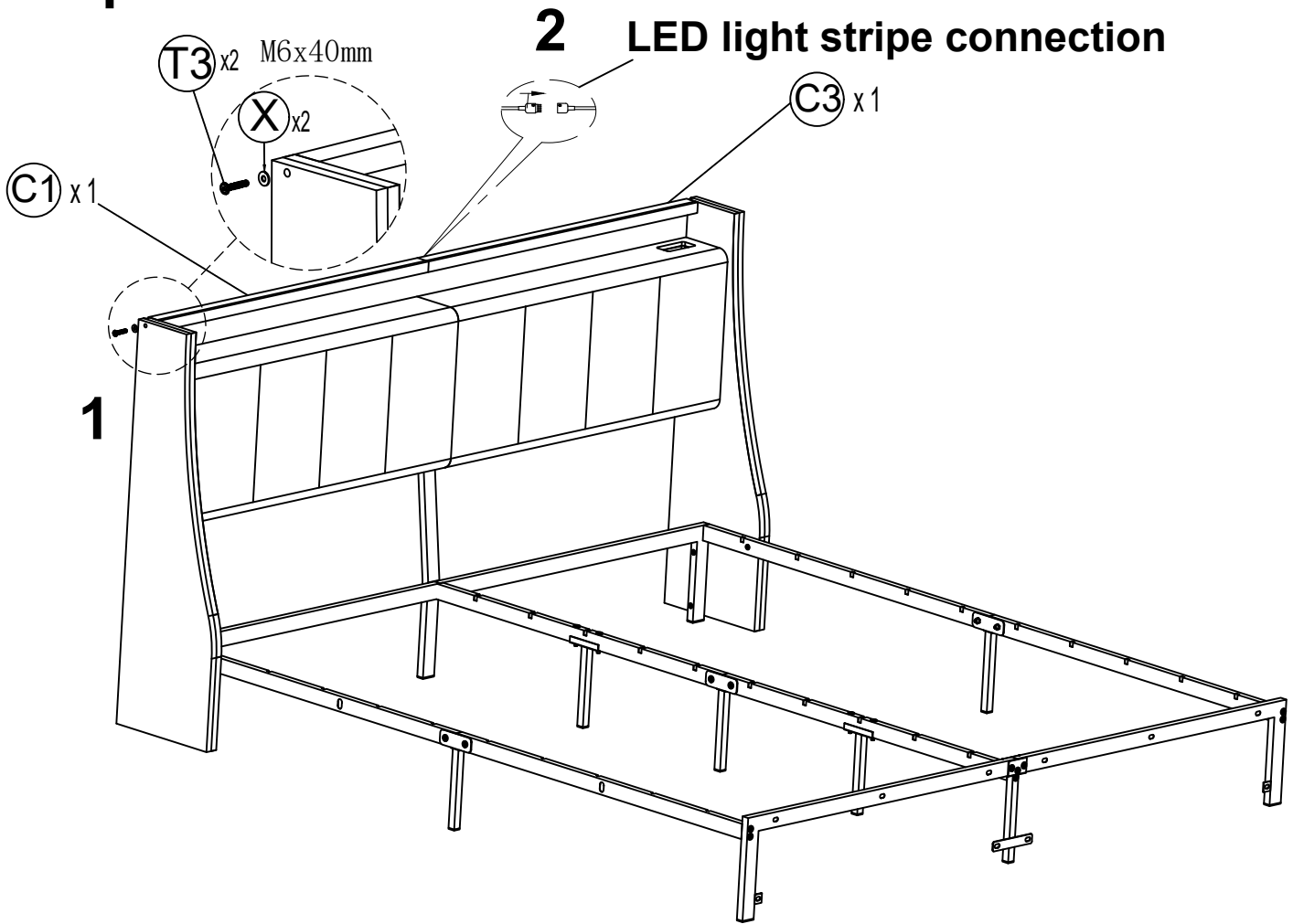
Step 11



Step 12

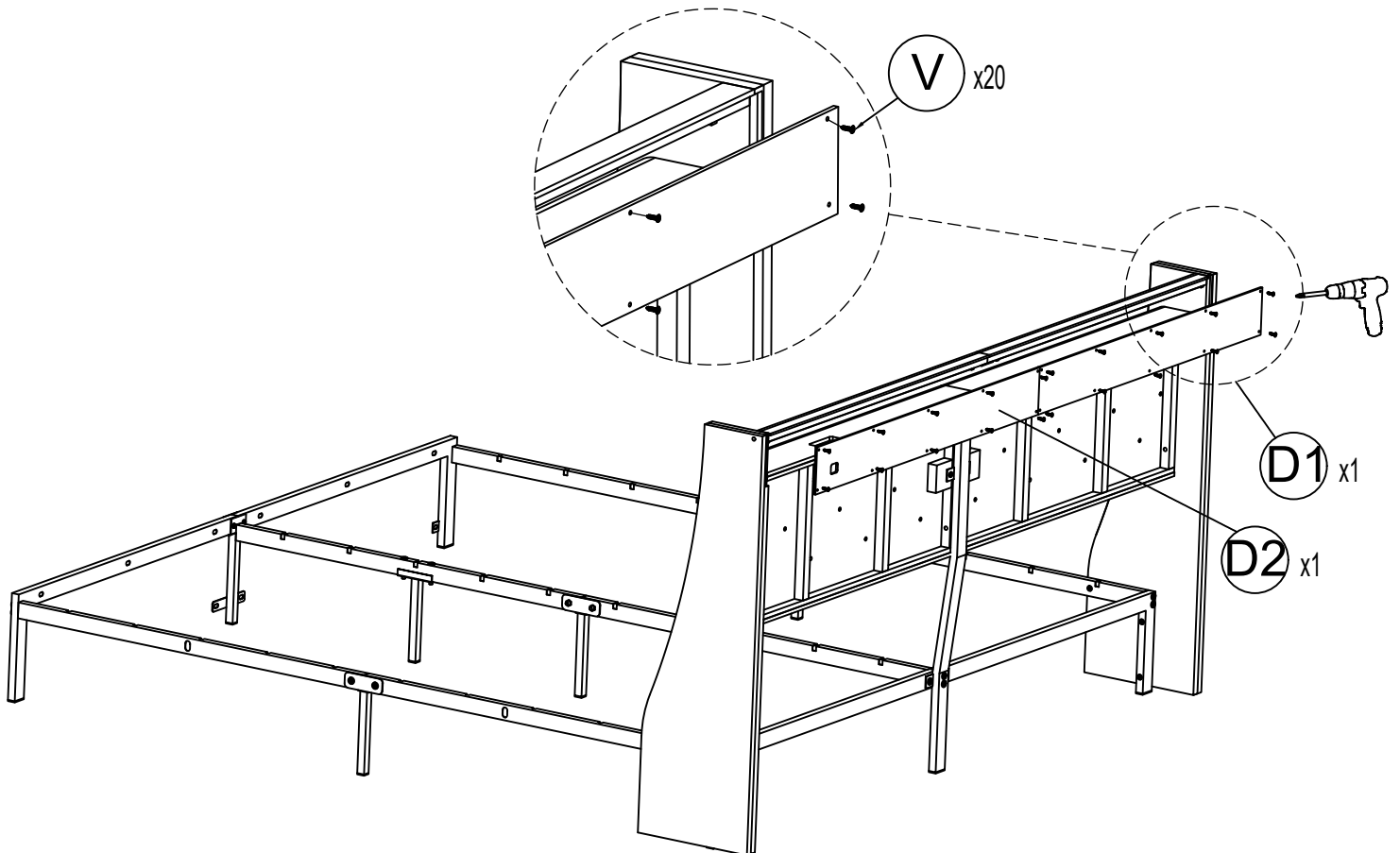


Step 13

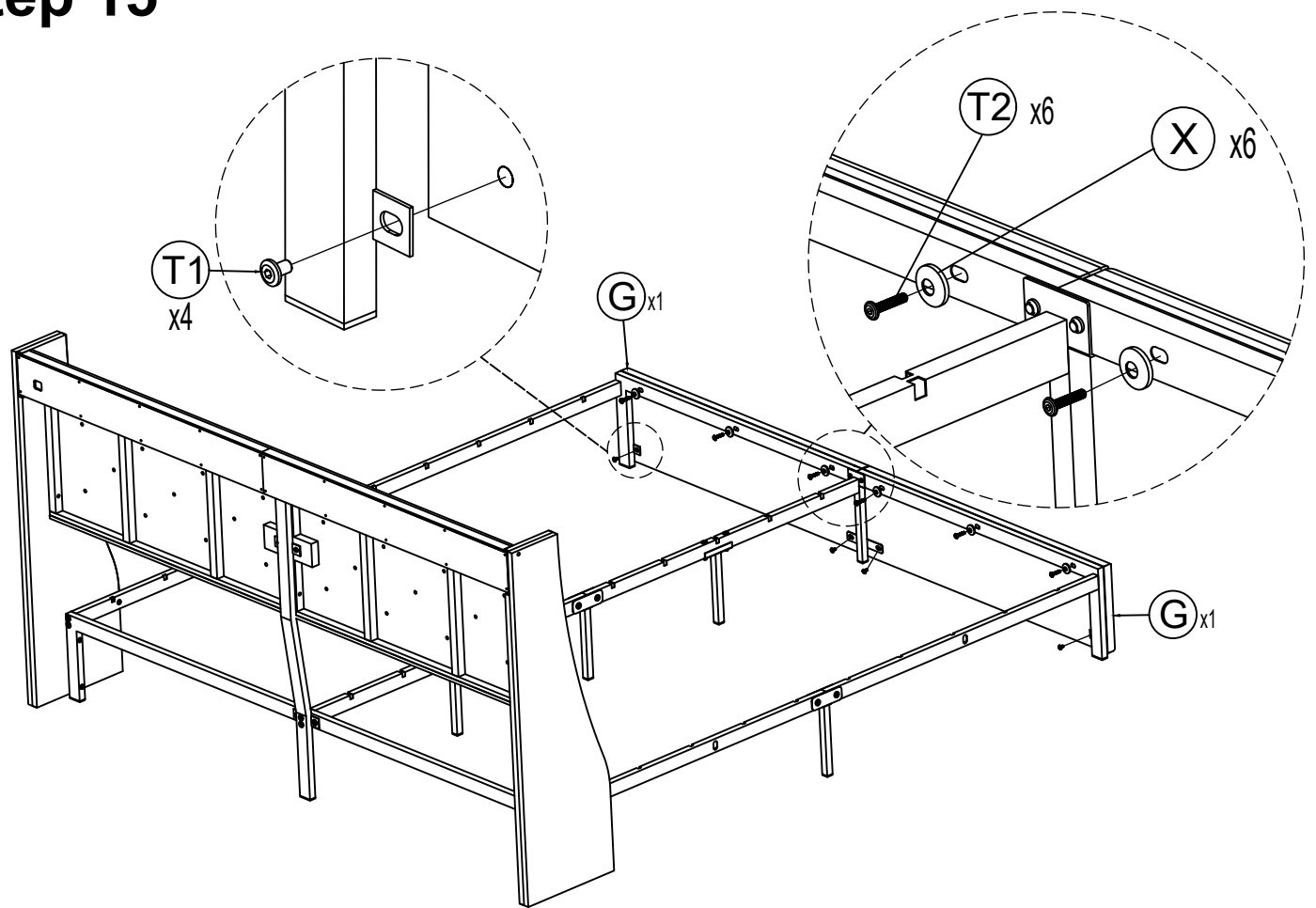


Step 14

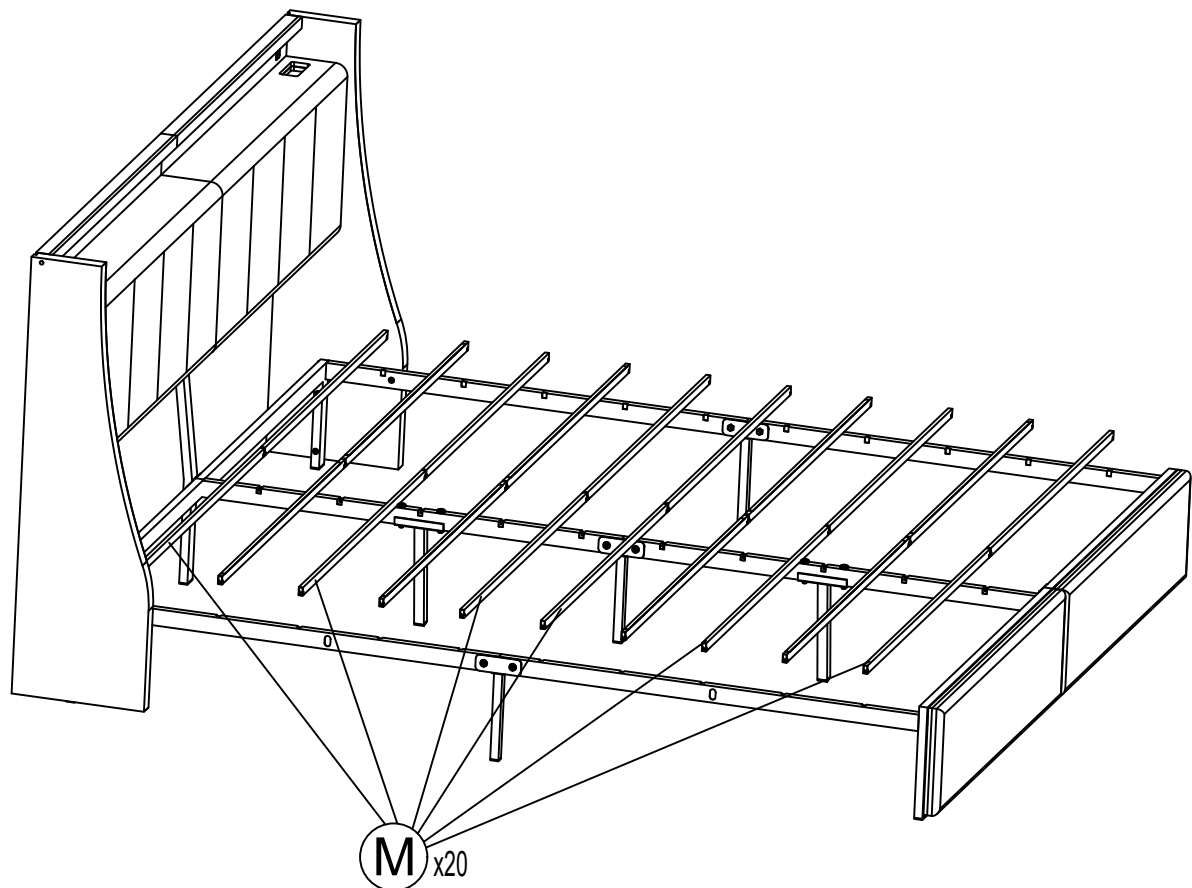
We suggest using drill machine to install "V" screws



Step 15



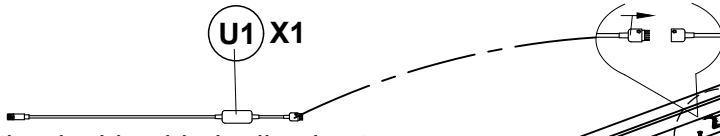
Step 16



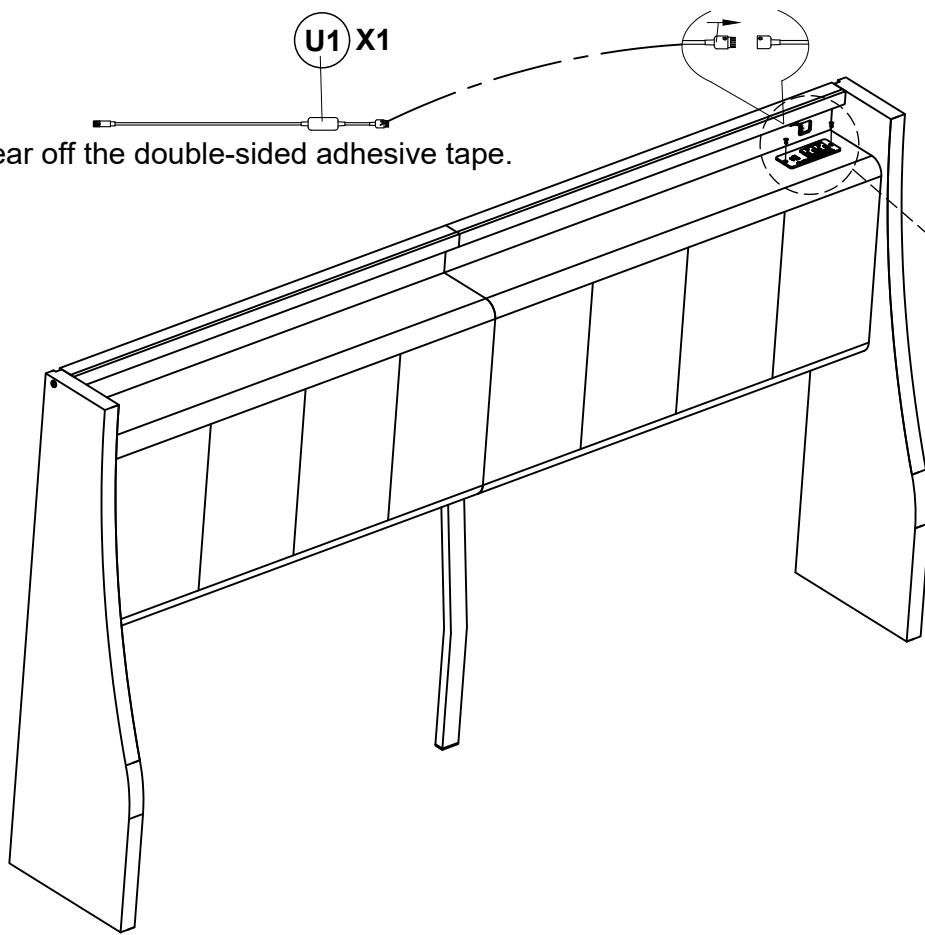
Step 17 We suggest using drill machine to install V screws

*Note: no holes on the board "B2" is normal

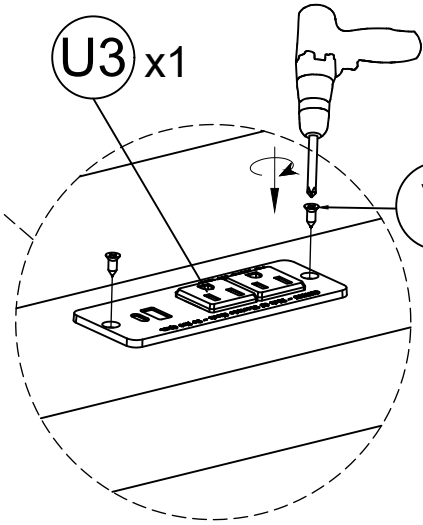
U1 X1



Tear off the double-sided adhesive tape.

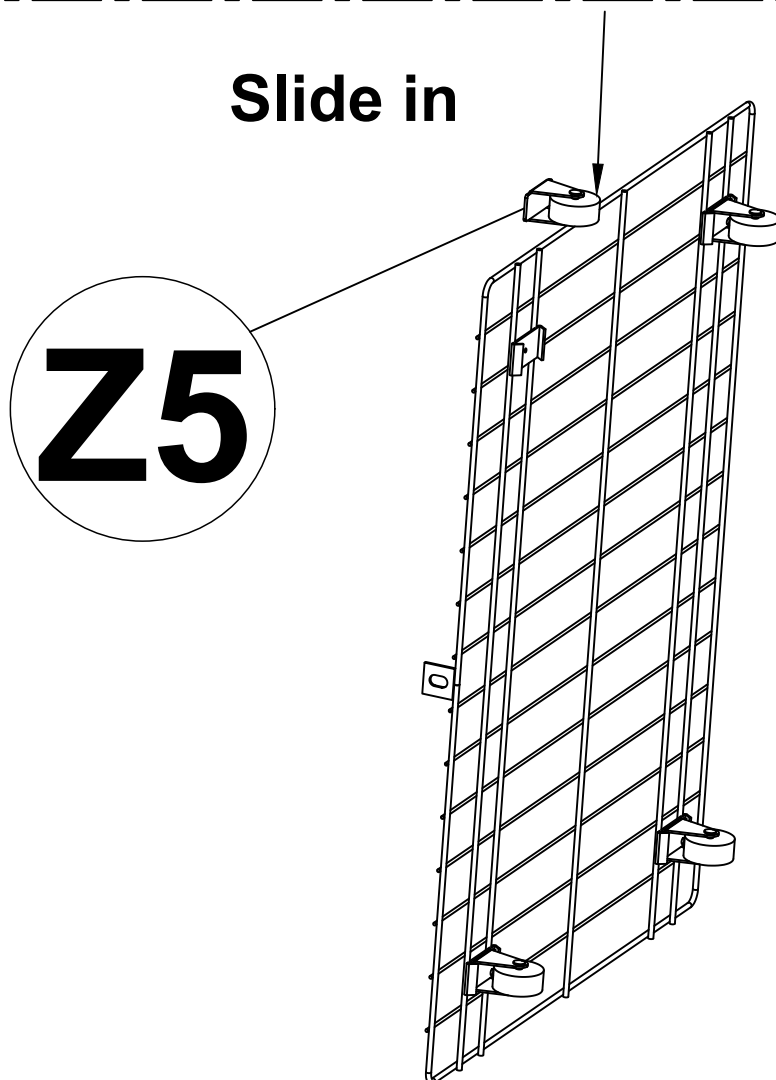
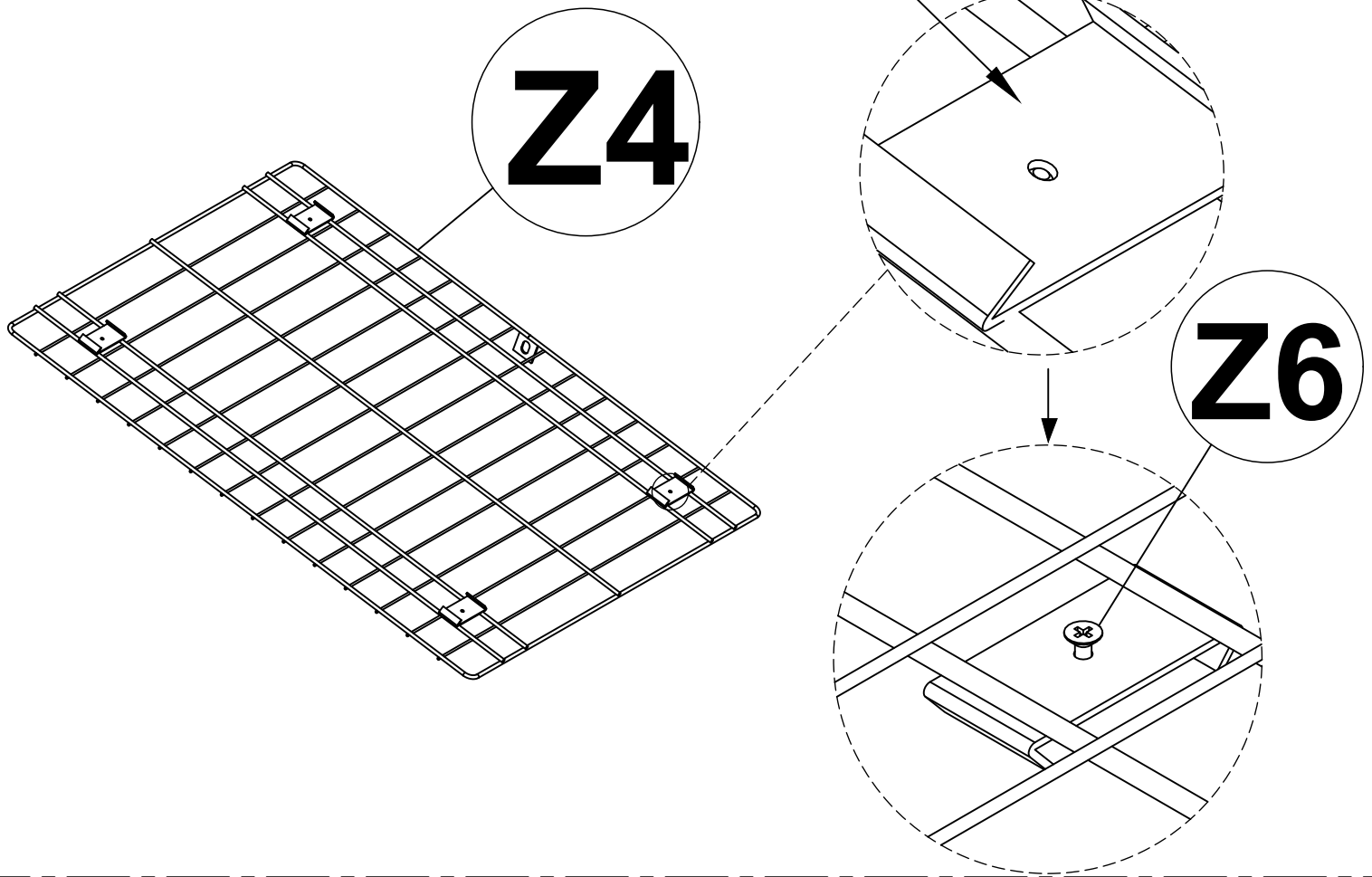


U3 x1

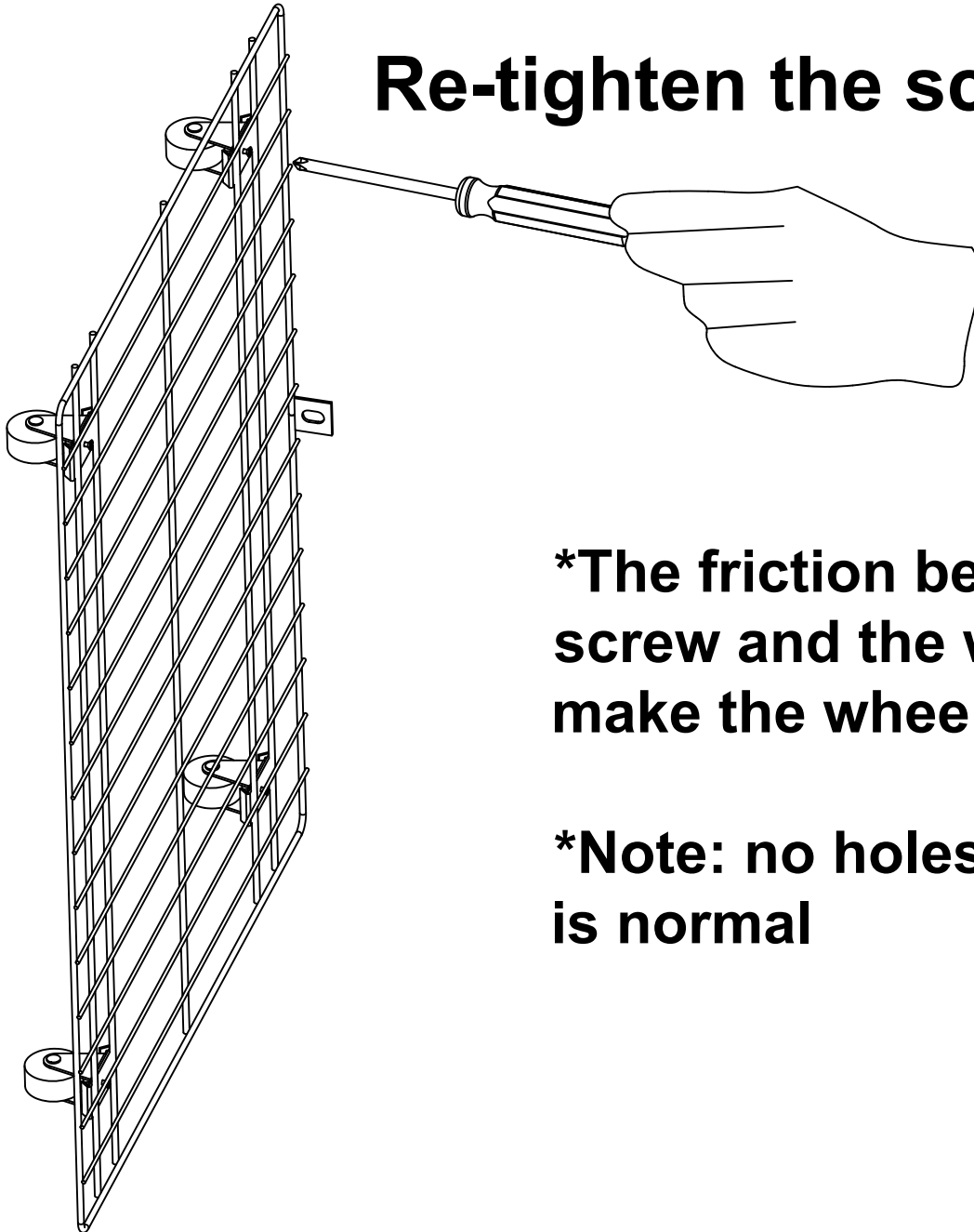


V x2

Put all the screw in but not tighten, don't let the screws get through all the wheel's holder



Re-tighten the screws

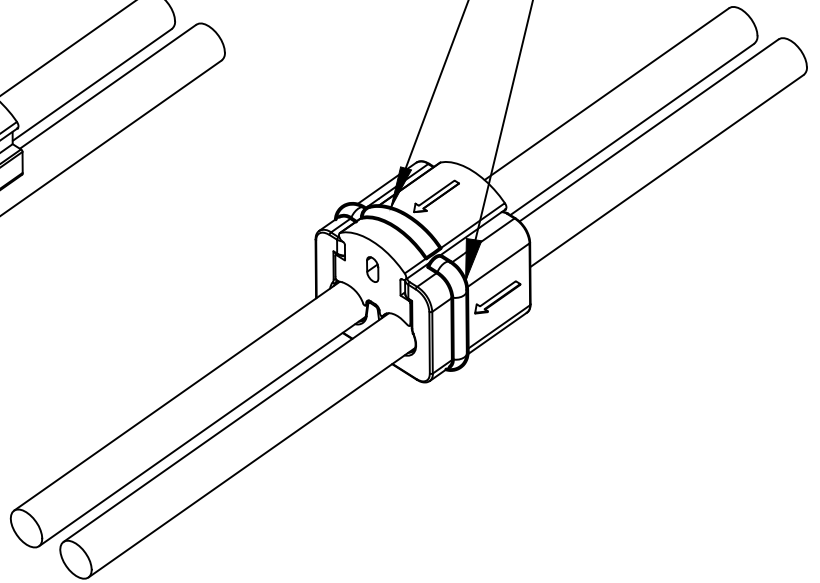
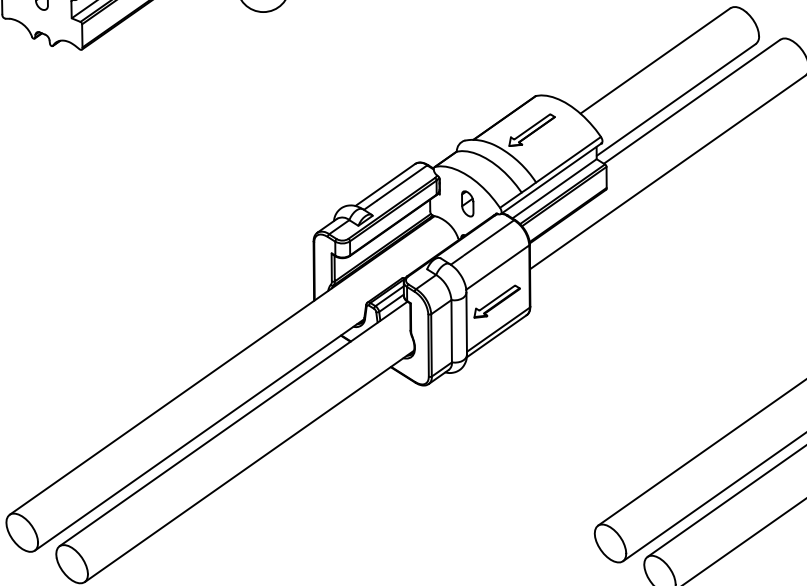
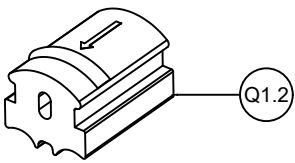
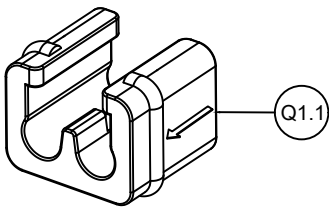


***The friction between the screw and the wheels will make the wheels can be holded**

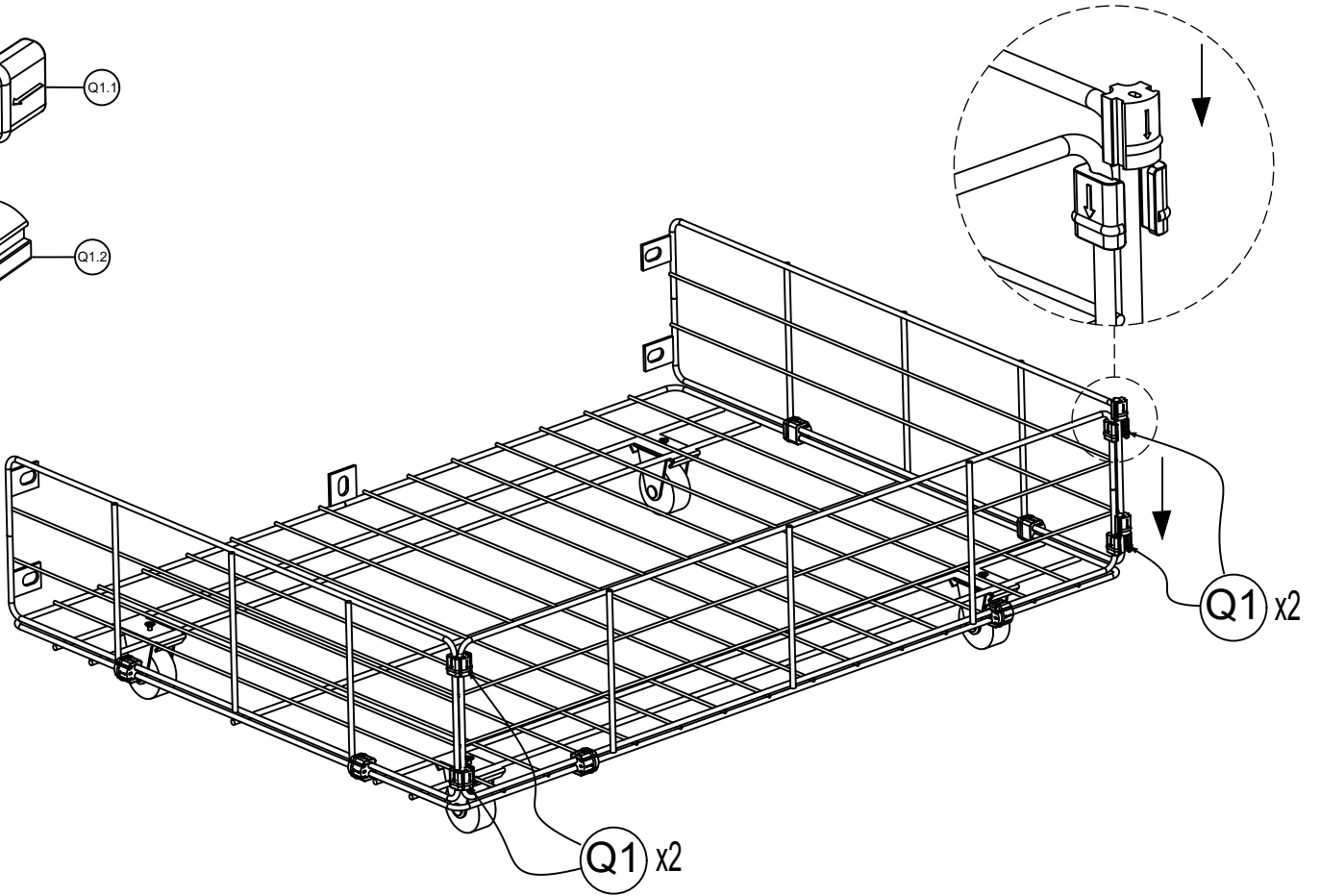
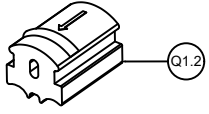
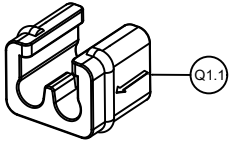
***Note: no holes on the wheels is normal**

Detailed assembly instructions Q1

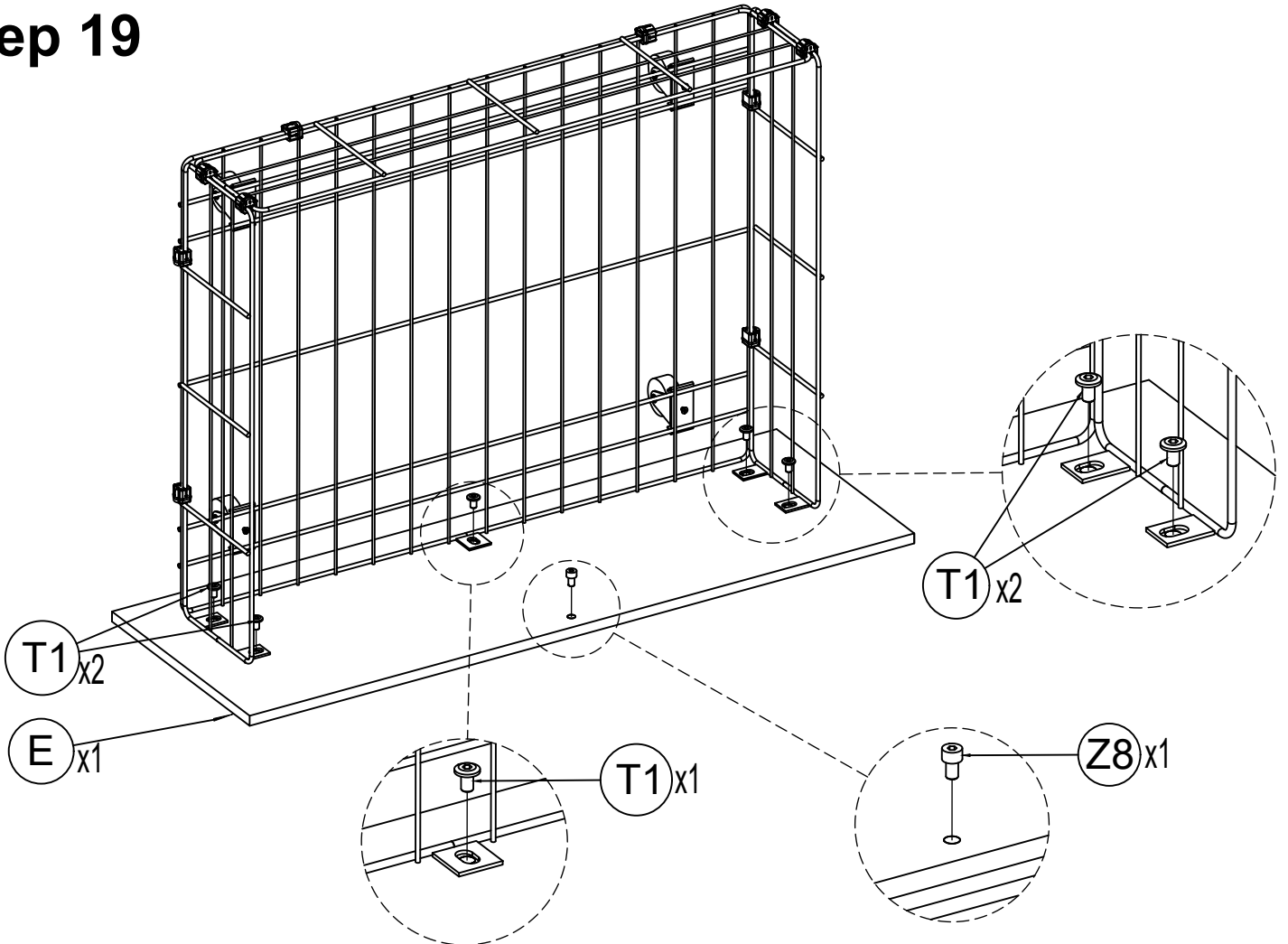
**these two
lines on Q1.1
and Q1.2 need
to be matched**



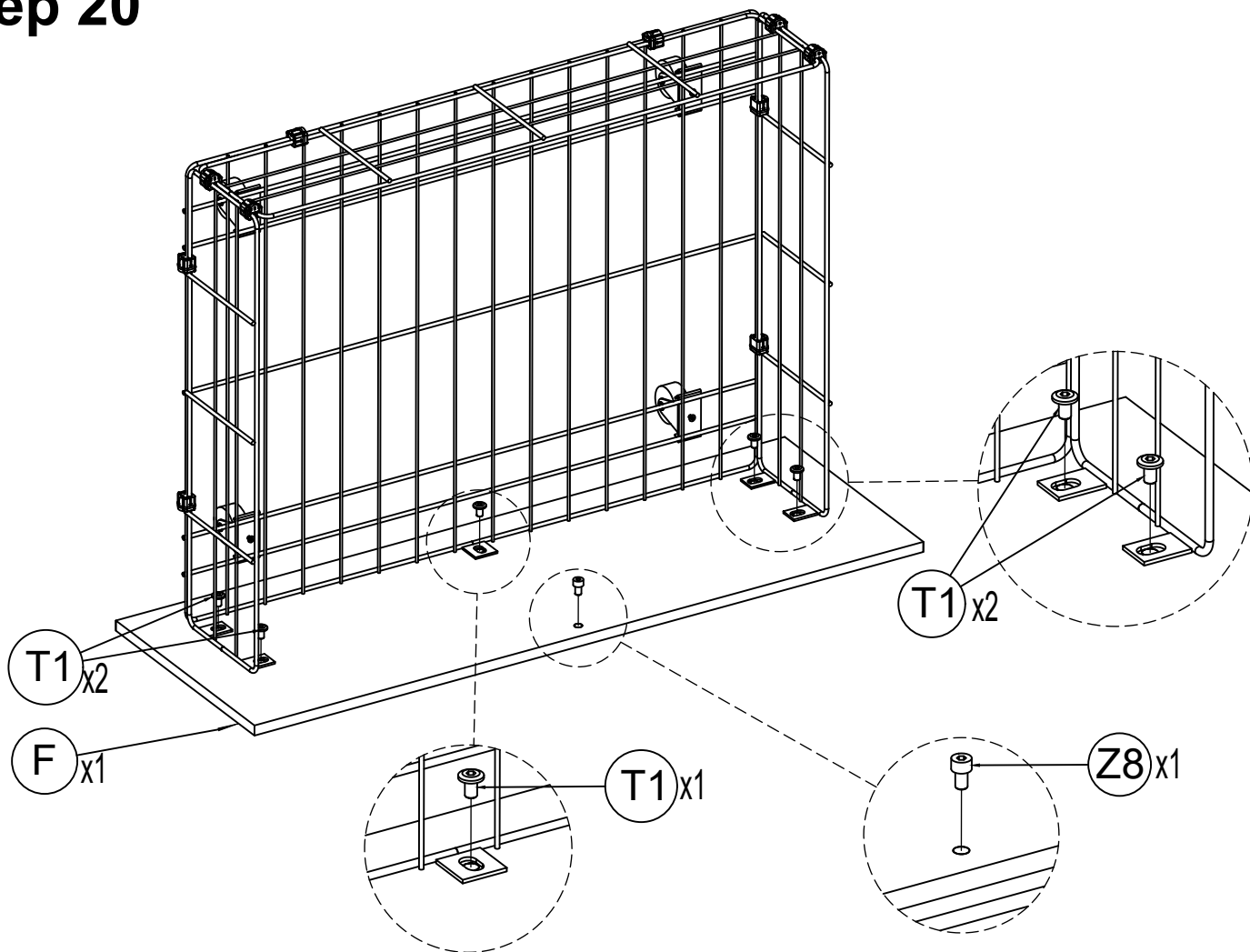
Step 18



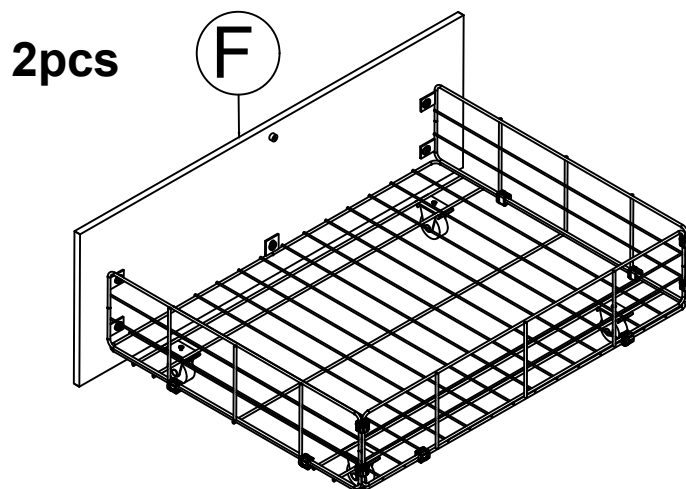
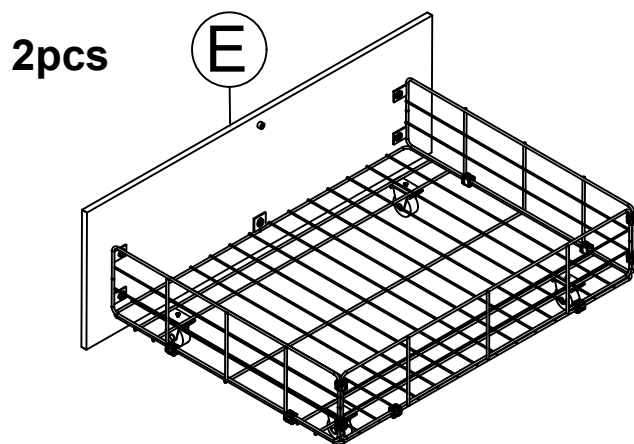
Step 19



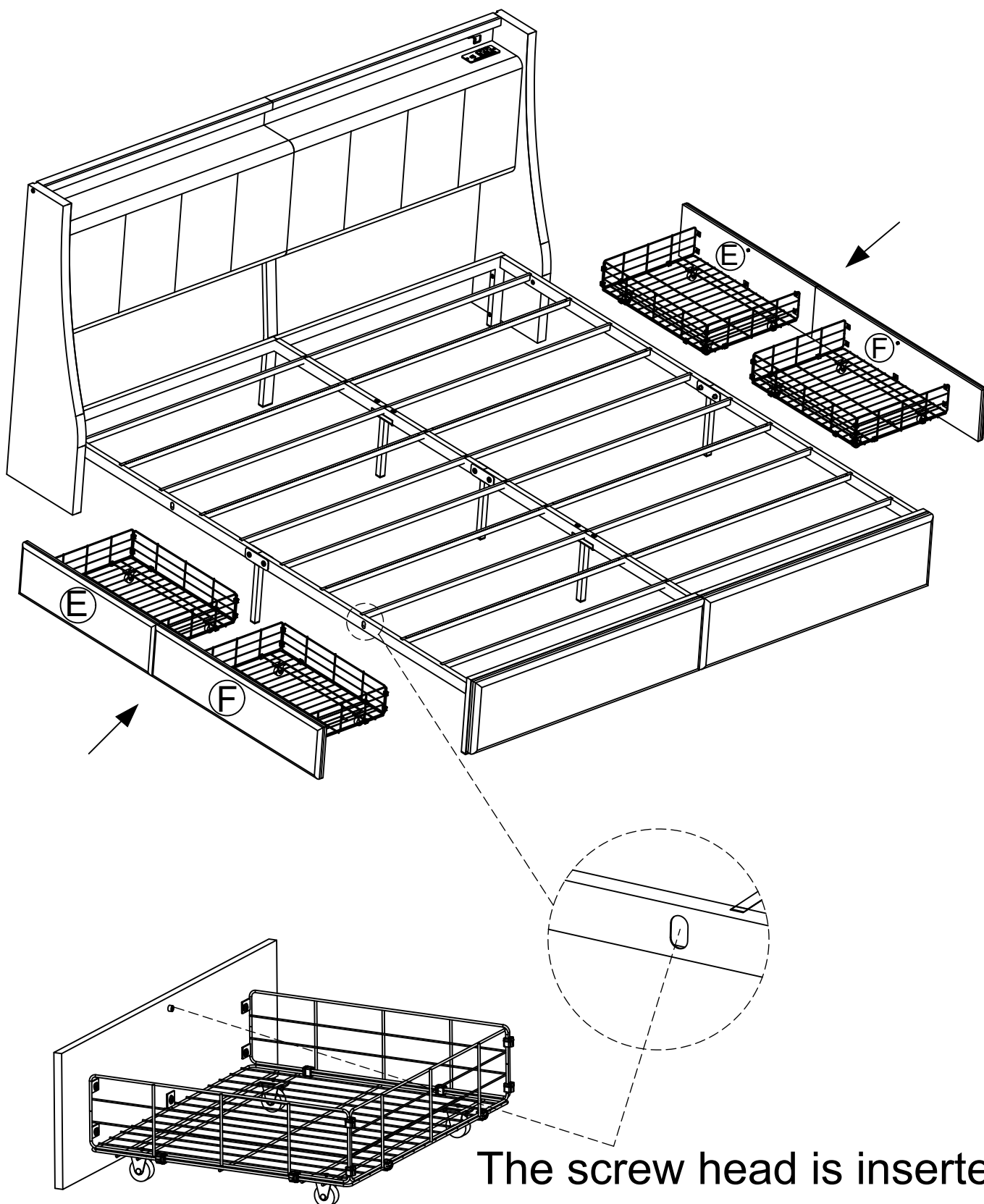
Step 20



Step 21



Step 22



The screw head is inserted into this hole to help the drawer can be in the fixed position.

REMOTE CONTROL

