

THANK YOU!

THANK YOU for selecting our Towel Warmer, the perfect addition to the bathrooms, family spas, and exercise rooms within your home. Our products have long been a standard for quality and comfort, and we are sure that you will experience continued enjoyment from the Towel Warmer you have purchased by following these simple instructions.

Please check that all components are present and that you are ENTIRELY happy with the size, design and finish BEFORE starting installation.

TOOLS REQUIRED

Installation should be carried out by a qualified professional or other fully competent person and should be installed in accordance with the relevant British and European Standards (BS5449:1990, BS7593:1992, EN12828:2003 & EN12831:2003)

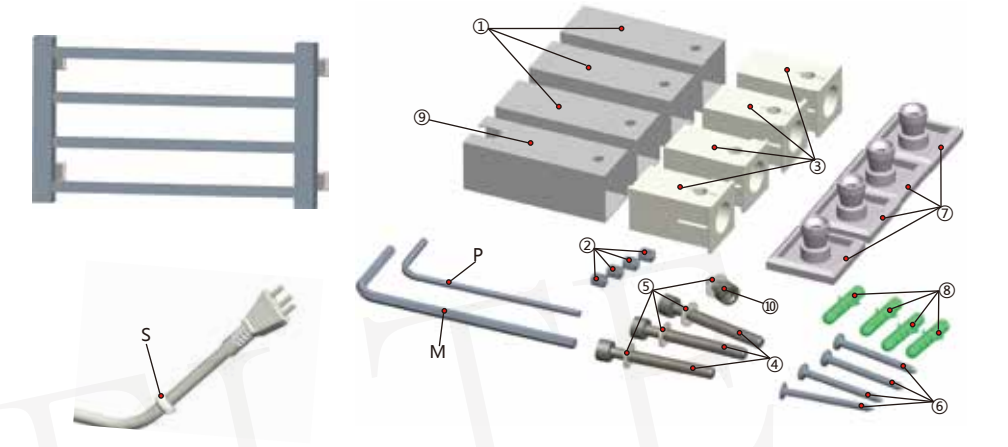


PARTS LIST !

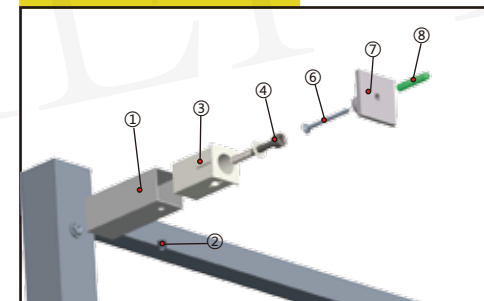
REF	QTY	DESCRIPTION
①	3	Leg Mounts (leg for mounting the unit)
②	4	Leg Set Screws (anchors the leg insert in the leg)
③	4	Leg Inserts (secures the leg to the wall flange)
④	3	Long Leg Bolt & Washer (secures leg to warmer)
⑤	4	Spare Washers (optionally added to bolts for fit)
⑥	4	Wall Screws (secures wall flange to wall)
⑦	4	Wall Flanges (fastens to the wall for mounting)

REF	QTY	DESCRIPTION
⑧	4	Drywall Anchors (used when installing in drywall)
⑨	1	Short Leg Bolt & Washer (secures leg to warmer)
⑩	1	Short Leg Bolt & Washer (secures leg to warmer)
M	1	Medium Hex Key (used for set screws 2)
P	1	Small Hex Key (used to install Accessory Hook)
S	1	Leg Grommet (protects the power cord)

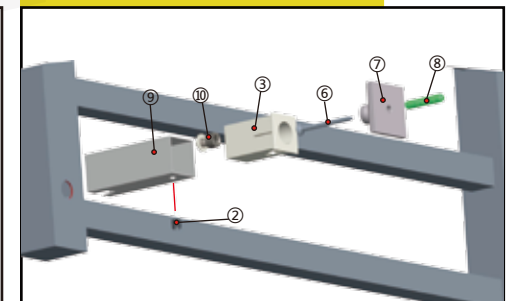
PARTS / ASSEMBLY



Leg Mounts (leg for mounting the unit)

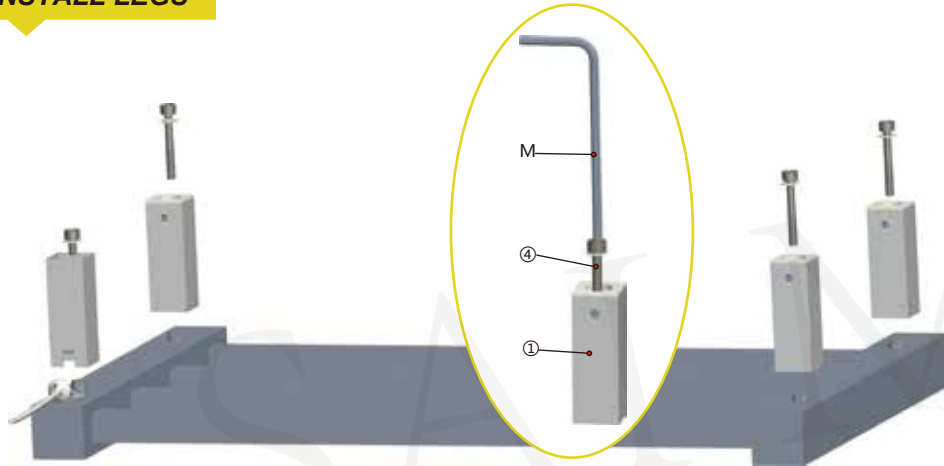


Power Leg Mount (the leg the power cord exits)



PREP UNIT!

INSTALL LEGS

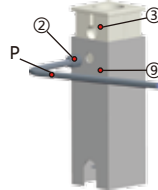


Attach the 3 Leg Mounts ① by inserting the Long Led Bolts ④ and their washers into the Leg Inserts ③ side of the leg and securing to the warmer using the Large Hex Key M. Make sure the Set Screw ② faces towards the bottom of the warmer. Add additional washers if the leg is not tight against the unit.

ATTACH POWER LEG

1. Remove Leg Insert

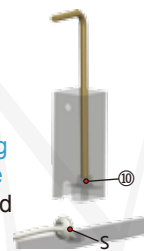
Remove the Leg Insert ③ from the Power Leg Mount ⑨ by unscrewing the Set Screw ② using the Medium Hex Key P and push out the insert from the other end.



2. Attach Power Leg

Slide the Leg Grommet S all the way up the cord and align with the slot in the Power Leg Mount ⑨.

If not already inserted, insert the Short Leg Bolt ⑩ and washer into the Power Leg Mount ⑨ and through the hole in the bracket near the other end. Using the Large Hex Key M into the welded bolt just above the power cord. The power cord should exit from the cutout.



3. Reinstall Cap

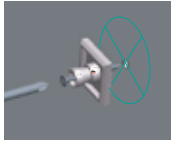
Reinstall the Leg Inset ③ into the Power Leg Mount ⑨ and secure using the Set Screw ②.



MOUNT WARMER (PLUG-IN POTION)

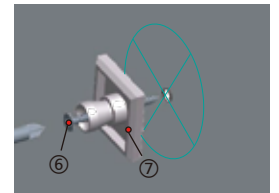
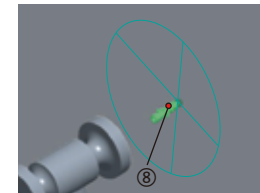
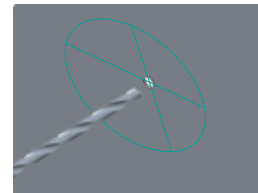
FOR LEGS THAT WILL BE SCREWED INTO WALL STUDS

For the legs aligned with a wall stud, there is no need to drill a hole. simply place a Wall Scre ⑥ into a wall Flange ⑦ and screw directly through the drywall and into the stud until the Wall Flange ⑦ is snug against the wall.



FOR LEGS THAT WILL ONLY BE SCREWED INTO DRYWALL

For legs that are not aligned with a stud, first drill a 7/32-inch hole through the drywall. Insert a Drywall Anchor ⑧ and tap it in with a hammer until flush with the wall. Now insert the Wall Screw ⑥ into the Wall Flange ⑦ and screw the flange into the Drywall Anchor ⑧ until the Wall Flange ⑦ is snug against the wall. Don't over tighten.



MOUNT WARMER ONTO FLANGES

SEAT LEGS INTO FLANGES

With the Wall Flanges ⑦ now installed on the wall, mount the unit onto the flanges until the legs are wall seated into the flanges. The Leg Set Screws ② under the legs may need to be loosened first.



SECURE SET SCREWS

While applying pressure on the unit to keep the legs firmly in the flanges, tighten each of the 4 set screws using the Medium Hex Key P until the legs are secure (do not over tighten)

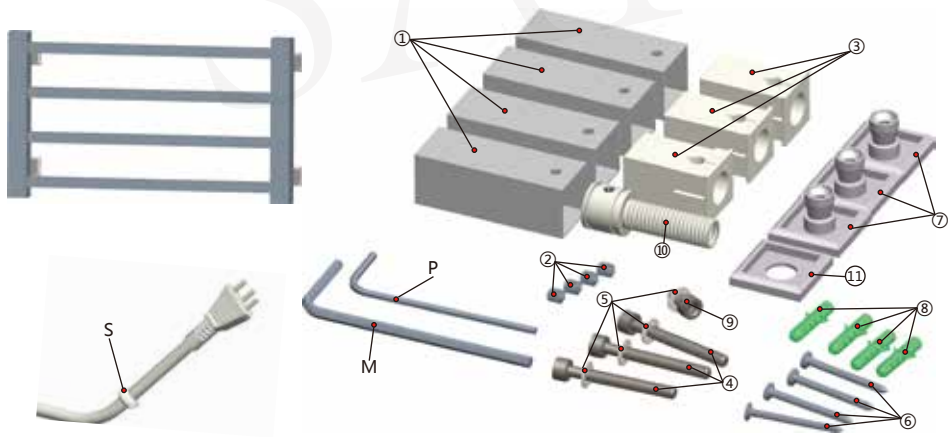


Plug the warmer into an available properly grounded 220-240V wall outlet and your warmer is ready for use. Please review page 12 for operating the warmer.

PARTS LIST !

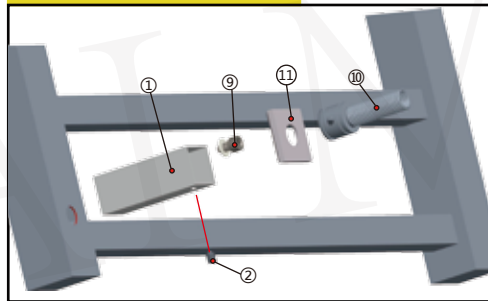
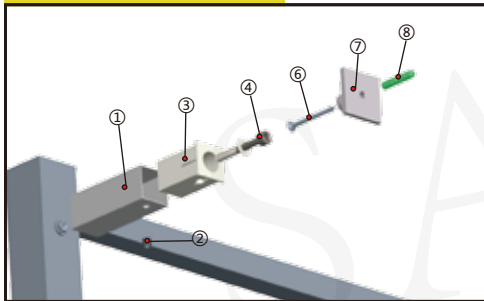
REF	QTY	DESCRIPTION	REF	QTY	DESCRIPTION
①	3	Leg Mounts (leg for mounting the unit)	⑧	4	Drywall Anchors (used when installing in drywall)
②	4	Leg Set Screws (anchors the leg Insert in the leg)	⑨	1	Short Leg Bolt&Washer (secures leg to warmer)
③	3	Leg Inserts (secures the leg to the wall flange)	⑩	1	Wall Bushing (conduit for wall power)
④	3	Long Leg Bolt&Washer (secures leg to warmer)	⑪	1	Power Wall Flange (allows power to enter wall cavity)
⑤	4	Spare Washers (optionally added to bolts for fit)	M	1	Medium Hex Key (used for set screws 2)
⑥	4	Wall Screws (secures wall flange to wall)	P	1	Small Hex Key (used to install Accessory Hook)
⑦	4	Wall Flanges (fastens to the wall for mounting)	S	1	Leg Grommet (protects the power cord)

PARTS / ASSEMBLY



Leg Mounts (leg for mounting the unit)

Wall Bushing (conduit for wall power)



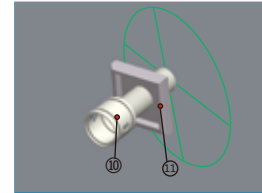
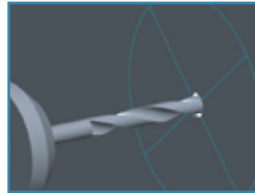
MOUNT WARMER (HARD-WIRED OPTION)

INSTALL POWER LEG FLANGE

This only applies to the **Power Leg Mount ①** for the Hard-Wired option (bottom-right leg). The **Wall Bushing ⑩** allows the **Power Cord** to be passed into the wall cavity for hard-wiring to your home's electrical wiring. **NOTE:** Before proceeding, make sure you have a plan for directing the power cord to an existing circuit. It may be necessary to use a fishing tool after drilling the 1/2" hole to pull the cord to a location for connecting to power (see page 10 for ideas).



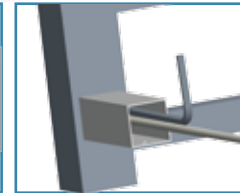
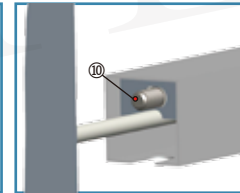
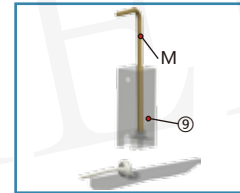
After ensuring there are no obstructions behind the wall, drill a 1/2-in hole through the drywall at the wall marking made earlier. Inset the **Wall Bushing ⑩** through the **Power Wall Flange ⑪** and screw the bushing into the hole you drilled into the drywall. Screw the bushing until it's snug and the small holes in bushing are aligned vertically.



MOUNT WARMER (HARD-WIRED OPTION)

THREAD POWER CORD THROUGH LEG

Remove the **Power Leg Mount ①** using the **Large Hex Key M**. Cut the power cord near the plug and pull off the **Leg Grommet**. Thread the cord through the power leg. Insert **Short Leg Bolt ⑨** and washer from the opposite end through the internal bracket. Now secure the power leg to the warmer by tightening the bolt using the **Large Hex Key M**. If the leg does not get tight enough, add washer as required.

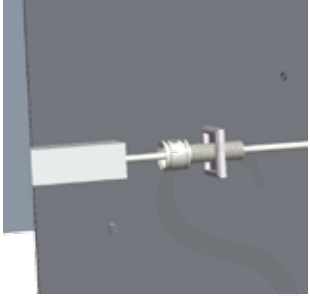


NOTE: Before proceeding to the next step, make sure you have a way to access the power cord from inside the wall and pull it to an existing power source. It may be necessary to first remove the **Wall Bushing ⑩** to aid in fishing the wire. Please read the several pages for ideas.

MOUNT WARMER (HARD-WIRED OPTION)

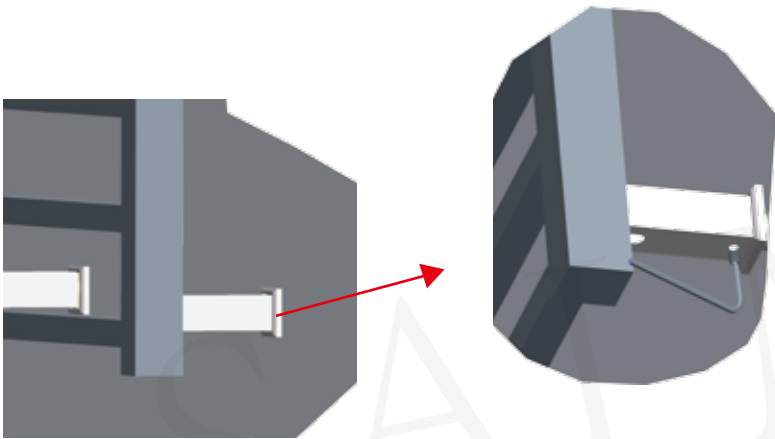
INSERT POWER CORD

While holding the warmer near the wall, insert the power cord through the **Wall Bushing ⑩** and pull the cord tight from within the wall cavity. (see the next pages for ideas on connecting the power cord to power inside the wall)



MOUNT WARMER ON WALL

Position all the legs onto their respective flanges and press the warmer firmly into the flanges. While applying pressure, tighten each of the 4 **Set Screws ②** using the **Medium Hex Key P** until the legs are secure (do not over tighten)

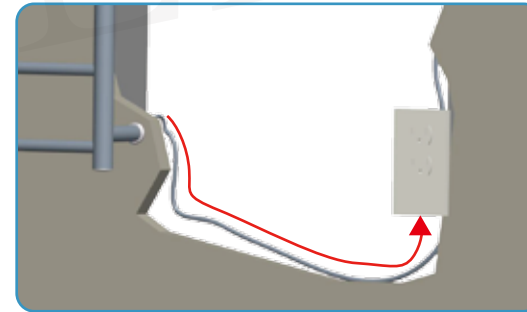


IN-WALL ACCESS (HARD-WIRED OPTION)

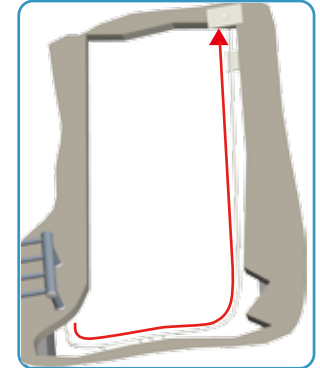
SAME WALL CONNECTION

If there is an outlet or switch on the same wall as the warmer, it can be used to connect the warmer's power. Once the outlet or switch has been temporarily removed from its junction box, a fishing tool can be used to draw the unit's power cord to the outlet or switch. If neither an outlet or switch is available, a hole can be cut into the drywall to "splice" into a circuit. Once the connection is made, the hole can be patched to provide a clean installation. Always use a junction box for all connections. Do not connect to a circuit that turns on and off when a switch is toggled.

Connect to a wall Outlet



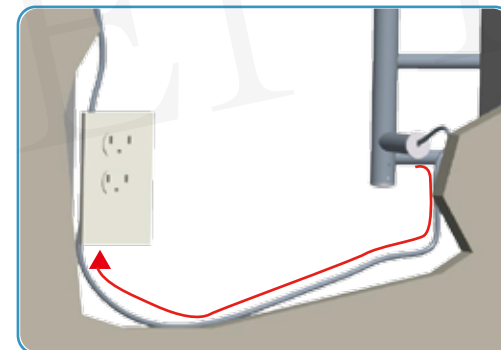
Connect to a wall switch



OPPOSITE WALL CONNECTION

Also consider using the opposite side of the wall for connecting the warmer to an existing outlet or light switch on either side. If there's any difficulty in fishing the power cord, a temporary hole can be cut out directly opposite of the **Wall Bushing ⑩** to better direct the power cord to its desired destination, especially if drilling into a stud is necessary.

Connect to a wall Outlet



Connect to a wall switch

