

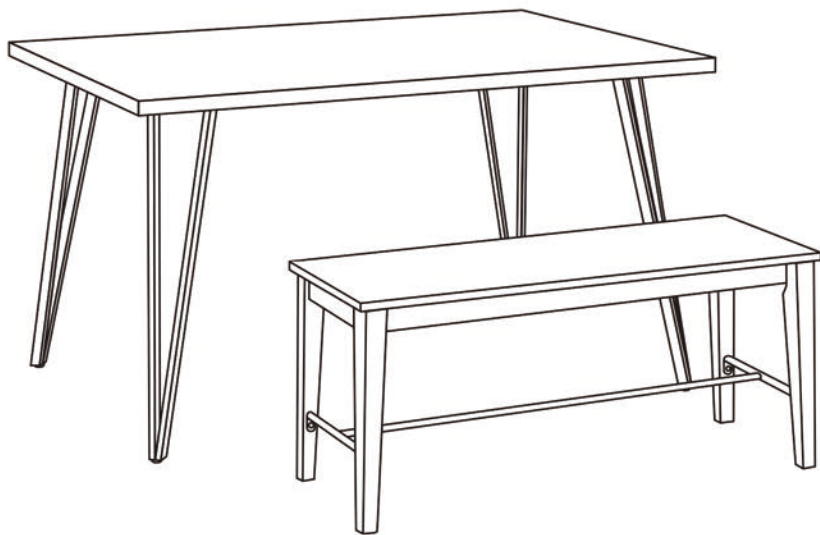
# ASSEMBLY INSTRUCTIONS

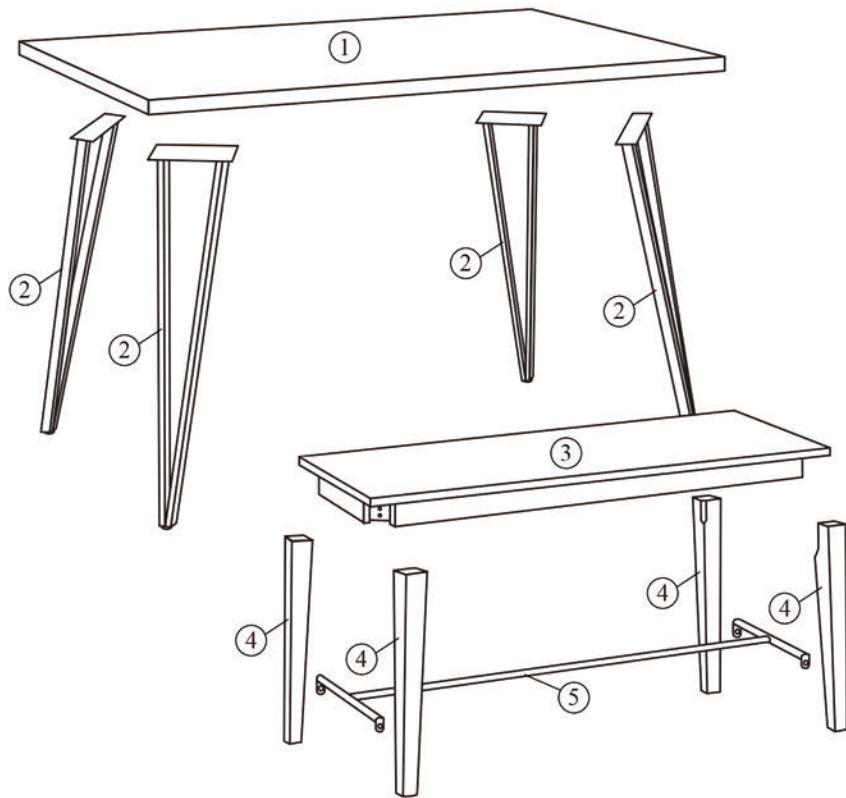
WF306004

DINING TABLE + BENCH

## IMPORTANT NOTES :

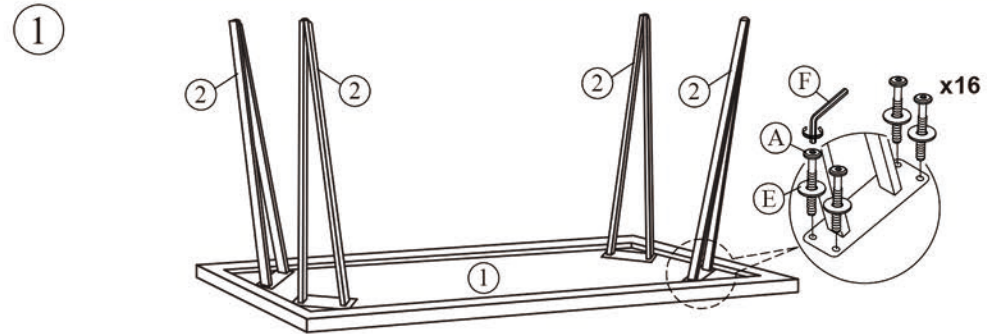
1. PLACE ALL PARTS ON A CLEAN AND SMOOTH SURFACE SUCH AS A RUG PR CARPET TO AVOID THE PARTS FROM BEING SCRATCHED.
2. BEFORE YOU BEING, KINDLY FOLLOW THE ASSEMBLY INSTRUCTION STEP BY STEP.



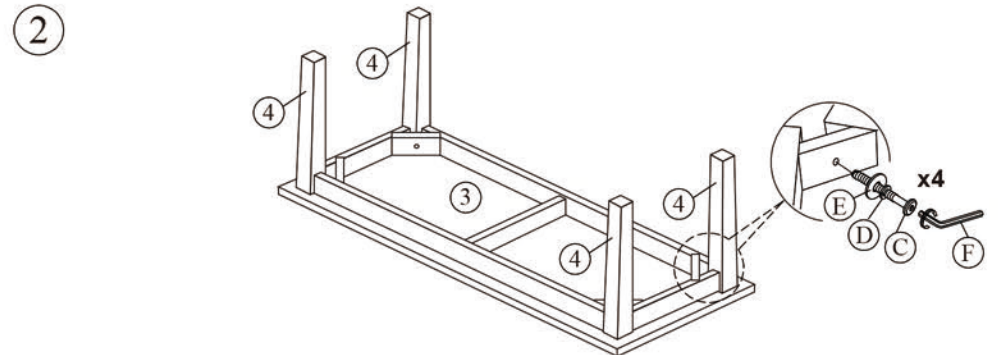


PARTS LIST		
NO.	COMPONENT	QTY.
1	Table Top	1 pc
2	Table Leg	4 pcs
3	Bench Top	1 pc
4	Bench Leg	4 pcs
5	Bench Center Support	1 pc

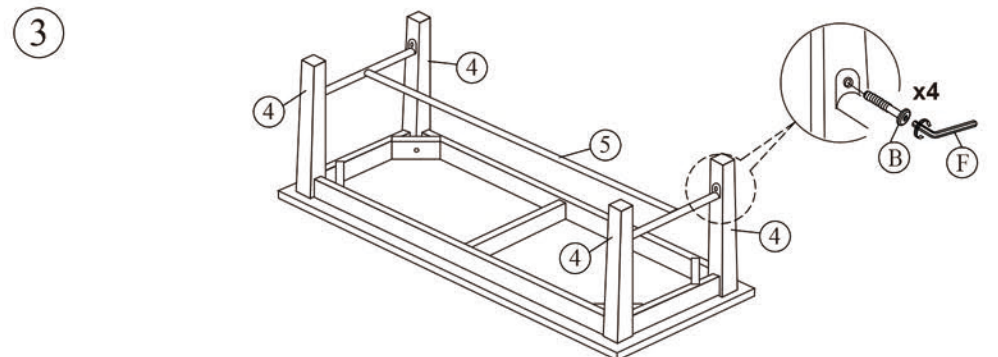
HARDWARE LIST		
NO.	COMPONENT	QTY.
A	JCBC Bolt M6 x 15mm	16 pcs
B	JCBC Bolt M6 x 20mm	4 pcs
C	JCBC Bolt M6 x 80mm	4 pcs
D	Spring Washer	4 pcs
E	Flat Washer	20 pcs
F	Allen Key M4	1 pc



1. Attach Table Leg (2) onto the Table Top (1). Insert JCBC Bolt (A) and Flat Washer (E), using Allen Key (F).



1. Attach Bench Leg (4) onto the Bench Top (3). Insert JCBC Bolt (C), Spring Washer (D) and Flat Washer (E), using Allen Key (F).



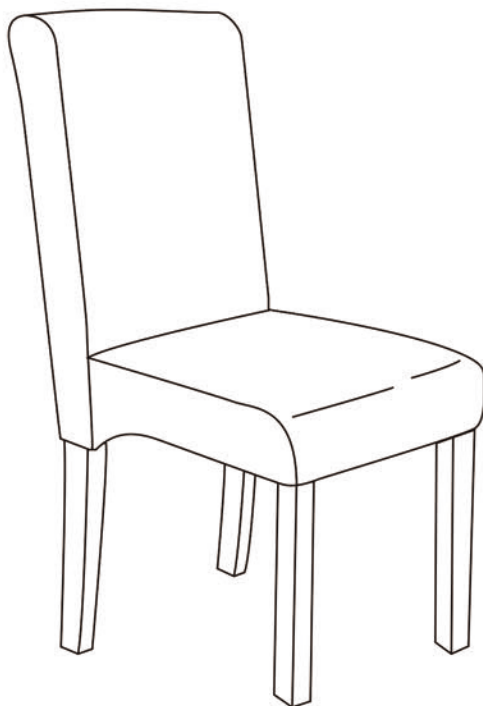
1. Attach Bench Center Support (5) onto the Bench Leg (4). Insert JCBC Bolt (B), using Allen Key (F).

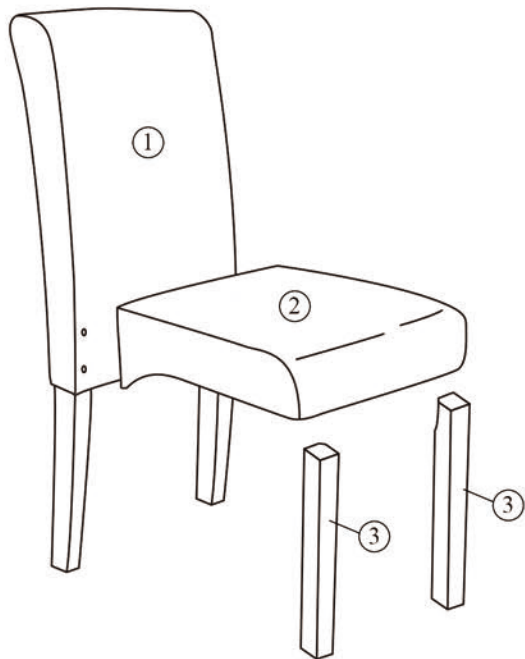
# ASSEMBLY INSTRUCTIONS

WF306005  
DINING CHAIR

## IMPORTANT NOTES :

1. PLACE ALL PARTS ON A CLEAN AND SMOOTH SURFACE SUCH AS A RUG OR CARPET TO AVOID THE PARTS FROM BEING SCRATCHED.
2. BEFORE YOU BEGIN, KINDLY FOLLOW THE ASSEMBLY INSTRUCTION STEP BY STEP.





PARTS LIST		
NO.	COMPONENT	QTY.
1	Backrest	1 pc
2	Cushion Seat	1 pc
3	Front Leg	2 pcs

HARDWARE LIST		
NO.	COMPONENT	QTY.
A	JCBC Bolt M6 x 50mm	2 pcs
B	JCBC Bolt M6 x 60mm	4 pcs
C	JCBC Bolt M6 x 80mm	4 pcs
D	Spring Washer	10 pcs
E	Flat Washer	10 pcs
F	Allen Key M4	1 pc

**1**

1. Attach Backrest (1) onto the Cushion Seat (2). Insert JCBC Bolt (A), Spring Washer (D) and Flat Washer (E), using Allen Key (F).

**2**

1. Insert JCBC Bolt (C), Spring Washer (D) and Flat Washer (E), using Allen Key (F).

**3**

1. Attach Front Leg (3) onto the Cushion Seat (2). Insert JCBC Bolt (B), Spring Washer (D) and Flat Washer (E), using Allen Key (F).

**4**

1. Attach the lining cloth on the Cushion Seat (2).