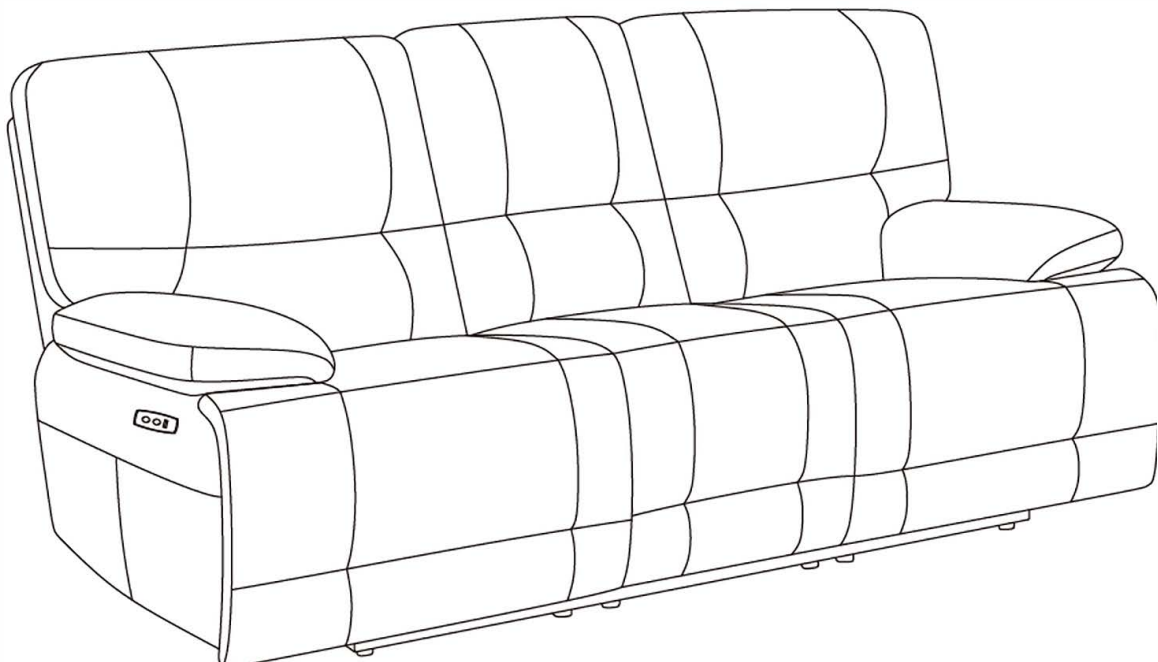


Power Reclining Sofa

Assembly Manual

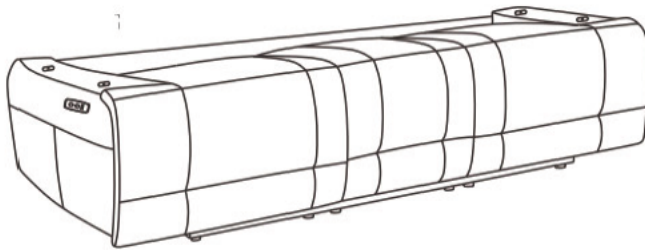
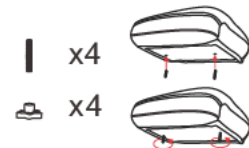
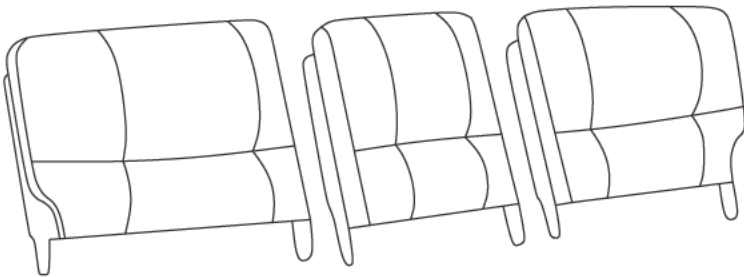


 **CAUTION**

THIS ASSEMBLY MANUAL CONTAINS IMPORTANT SAFETY INFORMATION. PLEASE READ AND KEEP FOR FUTURE REFERENCE.

ASSEMBLY

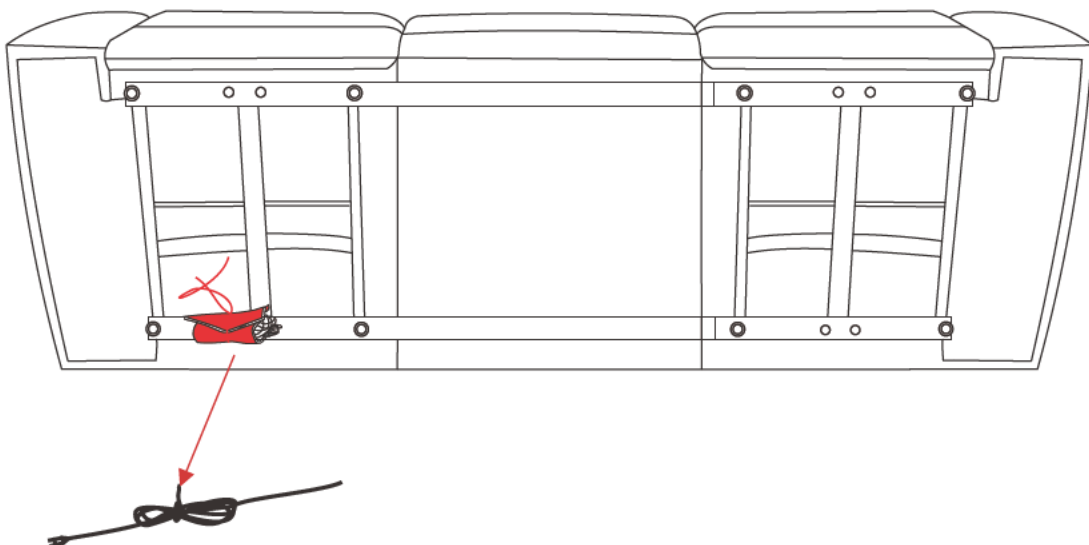
COMPONENTS:



- Sofa back *3
- Sofa base *1
- Sofa arm *2
- Star knob *4
- Screw rod *4

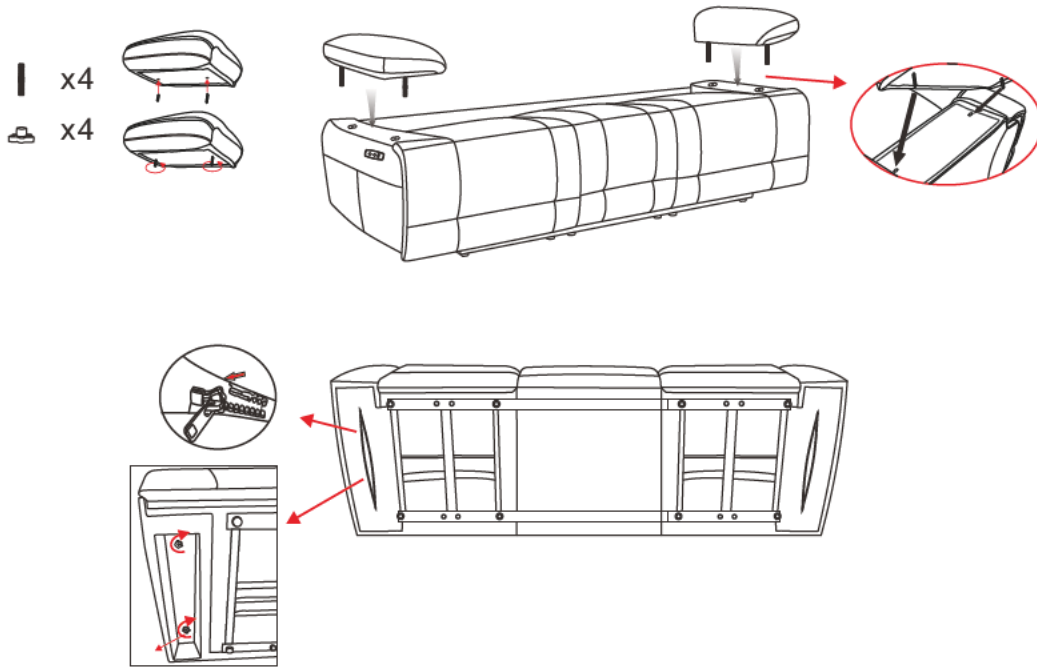
Step 1

Take out and unwarp the cable placed at the bottom of the sofa.



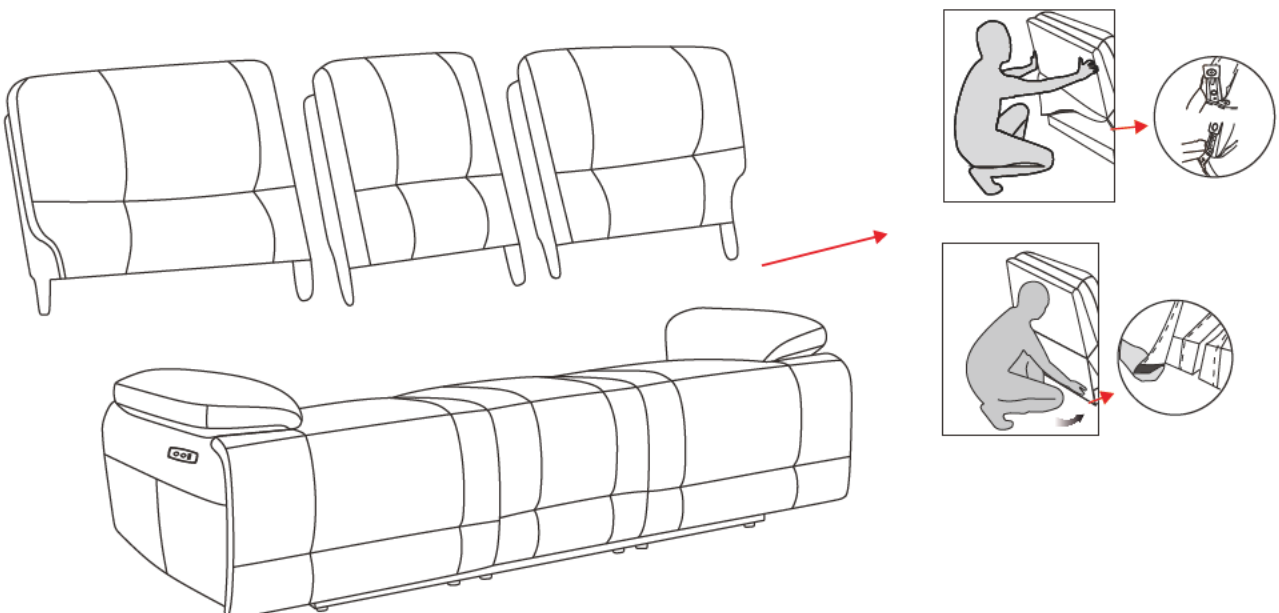
Step 2

Screw the screw rods into the armrest, insert them into the sofa holes, then open the zipper at the bottom and tighten the star knob nuts to secure the armrest.



Step 3

Connect the sofa backs to the seat cushion, and attach the Velcro to the back seal.



Step 4

Connect one end of the power cord into the DC adaptor located at the back of the seat. Plug the other end of power cord into the power outlet.

