

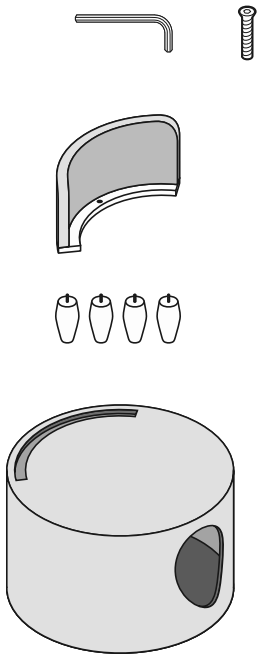
Chair

read first REVIEW BEFORE ASSEMBLY

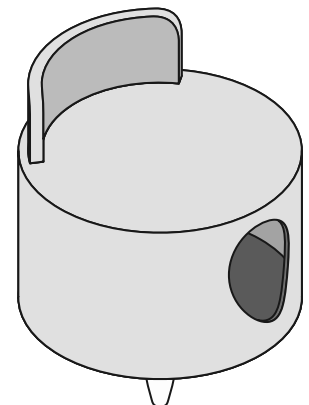
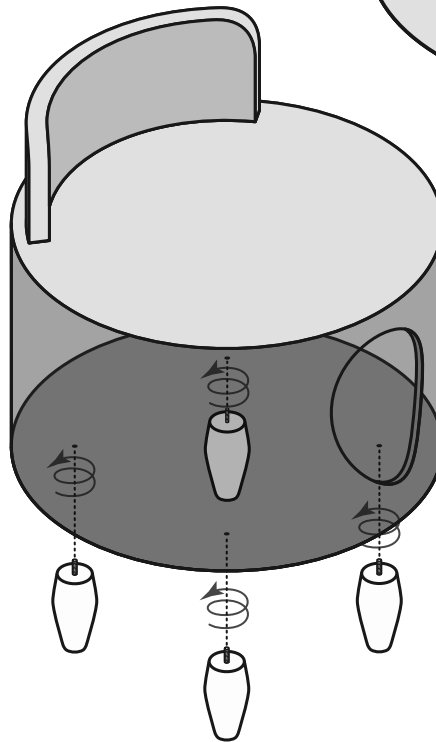
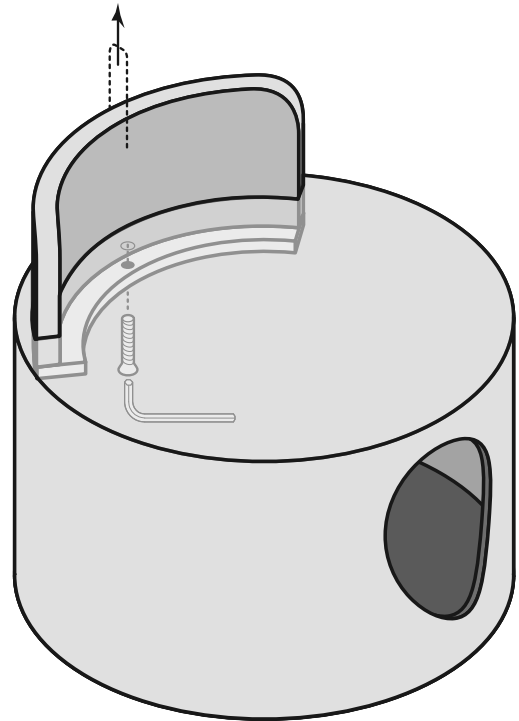
- TOOLS: Allen wrench is included. No other tools are necessary.

For assistance or replacement, please contact us.

1 PIECES



Tighten the screw snugly to create a solid seatback.



Assembly completed.



CARE

- Use hand vacuum for spot cleaning
- Lightly use pet-safe cleaners — test first on hidden area — do not saturate with cleaners or immerse in water
- Air dry thoroughly before use