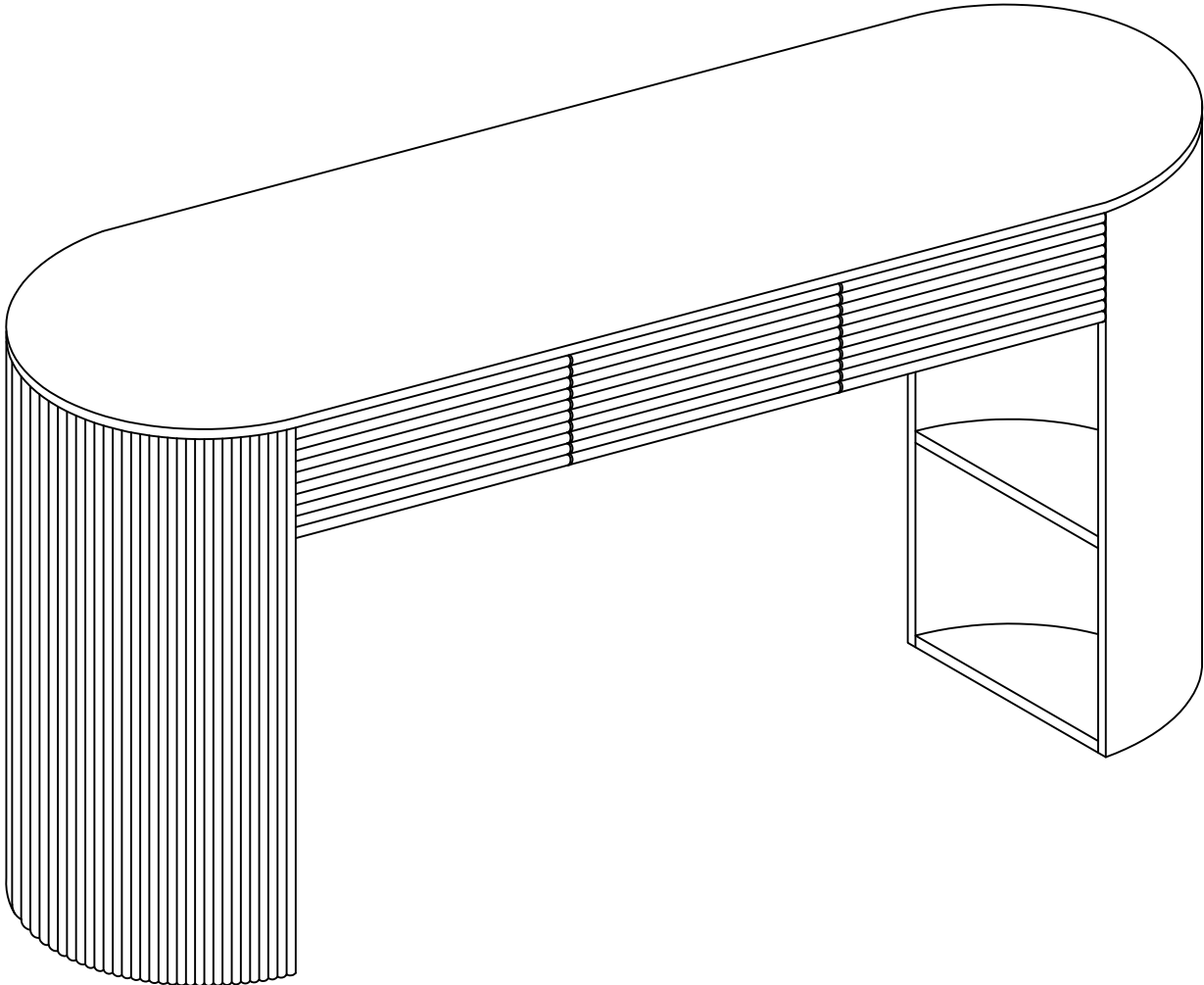
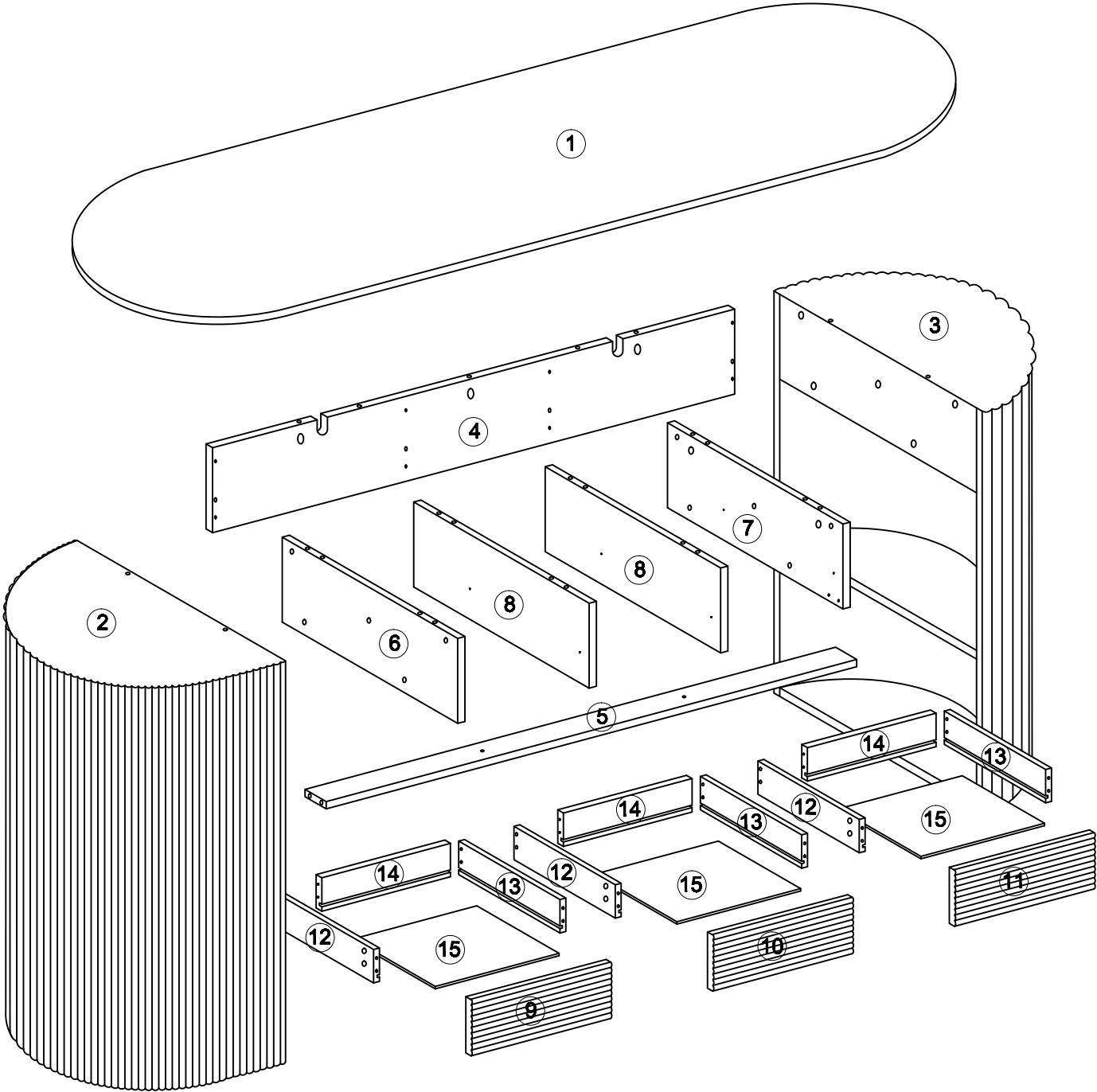



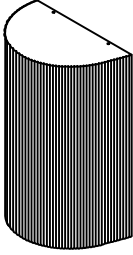
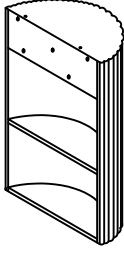
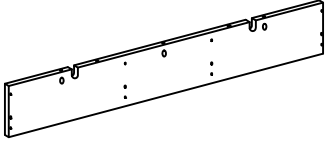

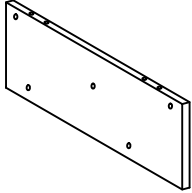
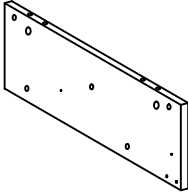
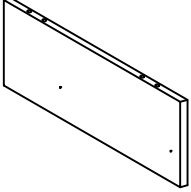
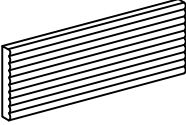
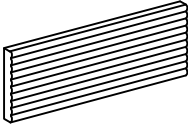
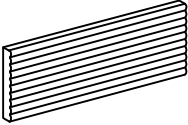
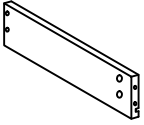


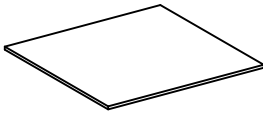
Assembly instruction/Montageanleitung



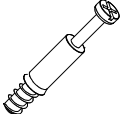
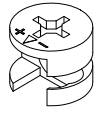
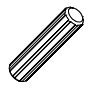
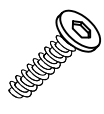
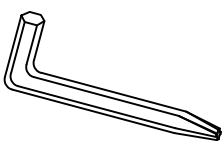
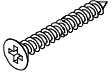


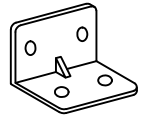
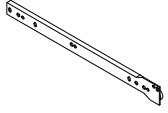
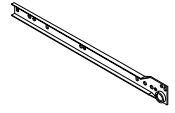
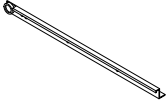
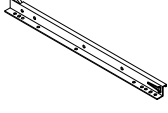
Assembly instruction/Montageanleitung



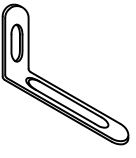
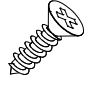
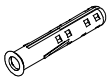

Parts List

 <p>① x 1</p>	 <p>② x 1</p>	 <p>③ x 1</p>	 <p>④ x 1</p>
 <p>⑤ x 1</p>	 <p>⑥ x 1</p>	 <p>⑦ x 1</p>	 <p>⑧ x 2</p>
 <p>⑨ x 1</p>	 <p>⑩ x 1</p>	 <p>⑪ x 1</p>	 <p>⑫ x 3</p>
 <p>⑬ x 3</p>	 <p>⑭ x 3</p>	 <p>⑮ x 3</p>	

Hardware

<p>A x 27+1</p>  <p>Ø6*35mm</p>	<p>B x 27+1</p>  <p>Ø15*9.5mm</p>	<p>C x 18+1</p>  <p>Ø8*30mm</p>	<p>D x 10</p>  <p>M8*25mm</p>	<p>E x 1</p> 
<p>F x 22</p>  <p>Ø3.5*30mm</p>	<p>G x 42</p>  <p>Ø3.5*12mm</p>	<p>H x 6</p> 	<p>I x 4</p> 	
<p>CL x 3</p> 	<p>CR x 3</p> 	<p>DL x 3</p> 	<p>DR x 3</p> 	

Restraint Device Hardware

<p>Y x 2</p> 	<p>Z x 4</p>  <p>Ø3.5*12mm</p>	<p>W x 2</p> 	<p>X x 2</p>  <p>Ø3.5*40mm</p>	
---	---	---	---	--

STEP 1

A x 11



Ø6 x 35mm

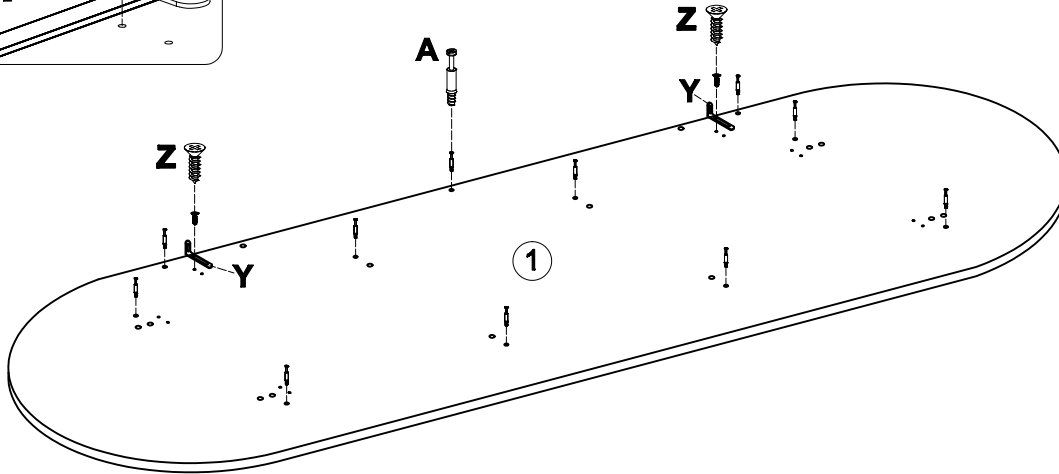
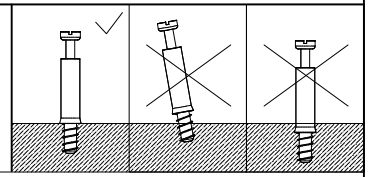
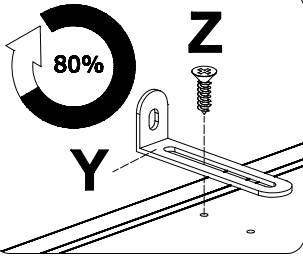
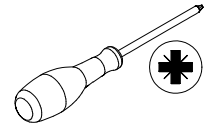
Y x 2



Z x 2



Ø3.5 x 12mm



STEP 2

A x 4



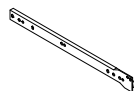
Ø6 x 35mm

G x 4

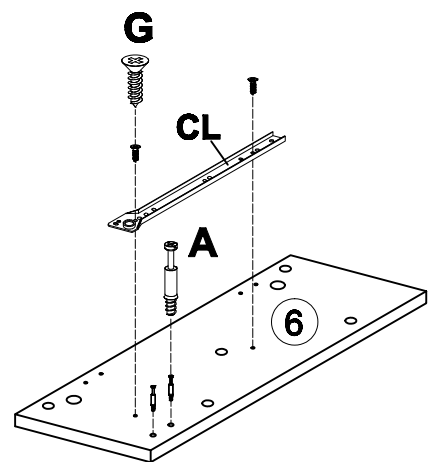
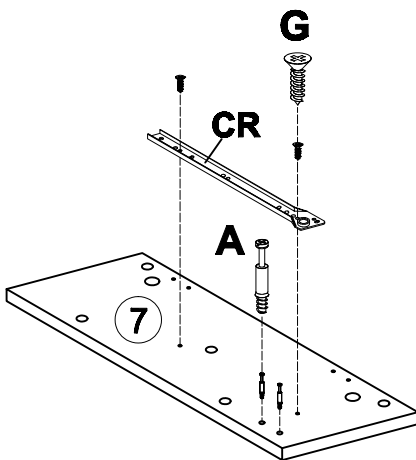
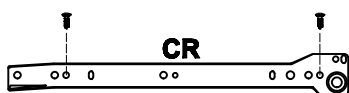
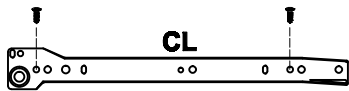
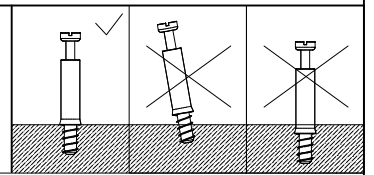
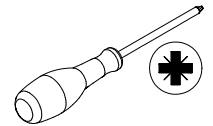
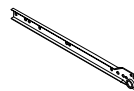


Ø3.5 x 12mm

CL x 1



CR x 1



STEP3

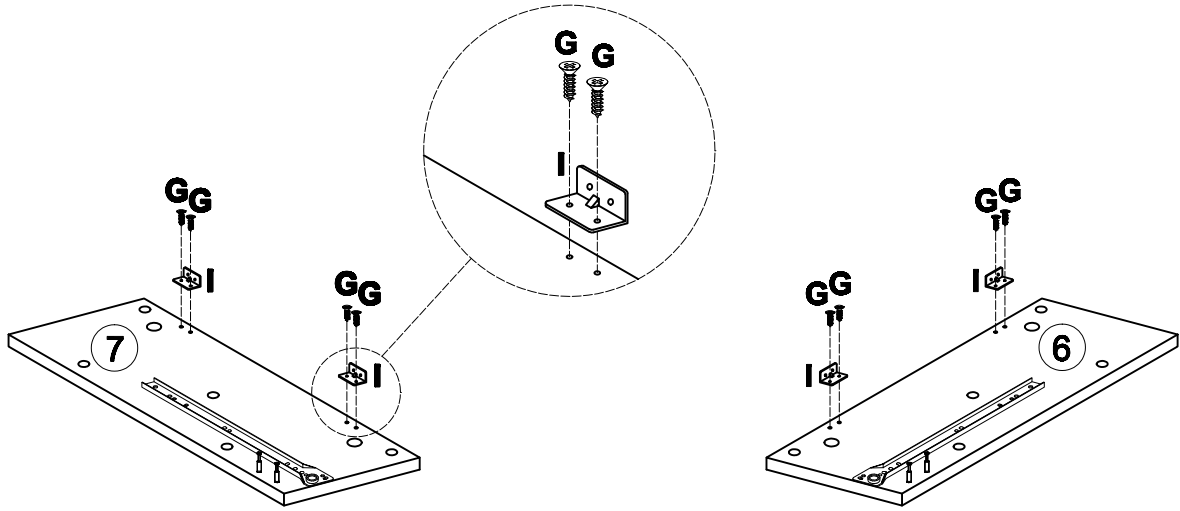
I x 4



G x 8



Ø3.5 x12mm



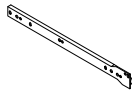
STEP4

G x 8

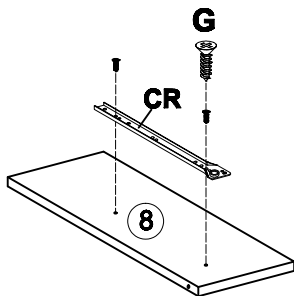
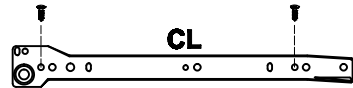
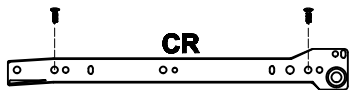
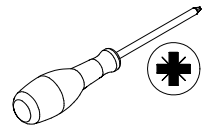


Ø3.5 x12mm

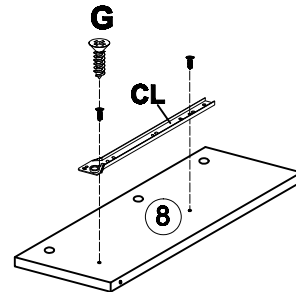
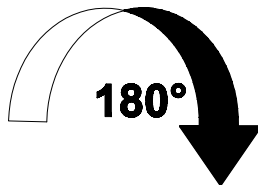
CL x 2



CR x 2



x 2



x 2

STEP5

B x 4

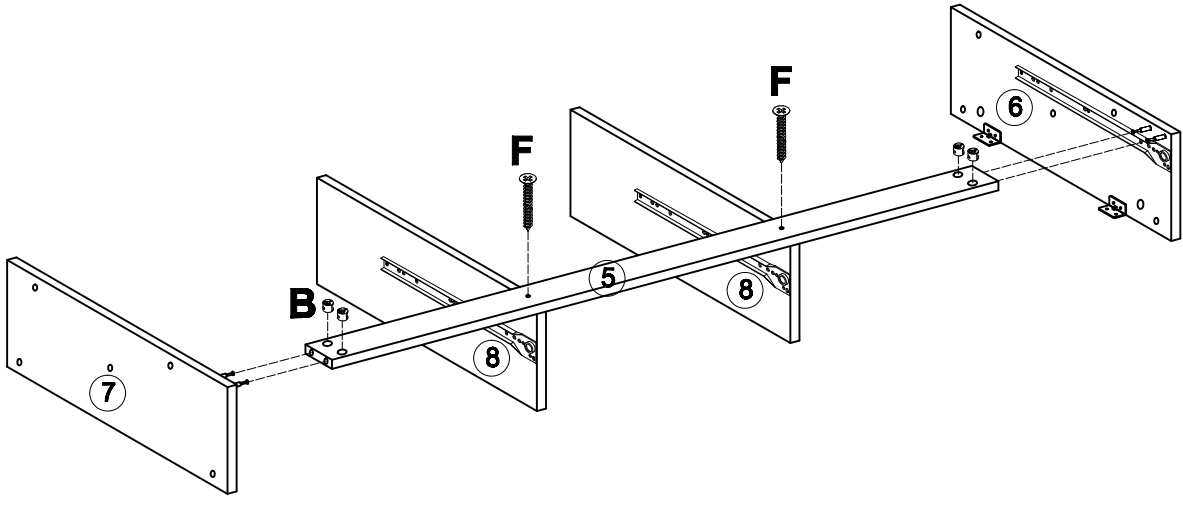
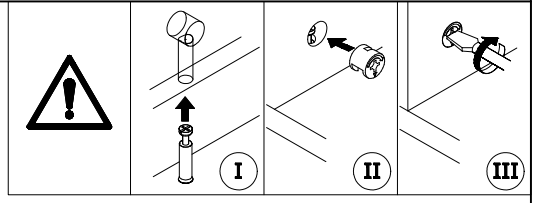
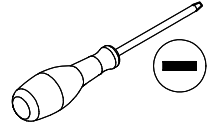


Ø15 x 9.5mm

F x 2



Ø3.5 x 30mm



STEP6

C x 4

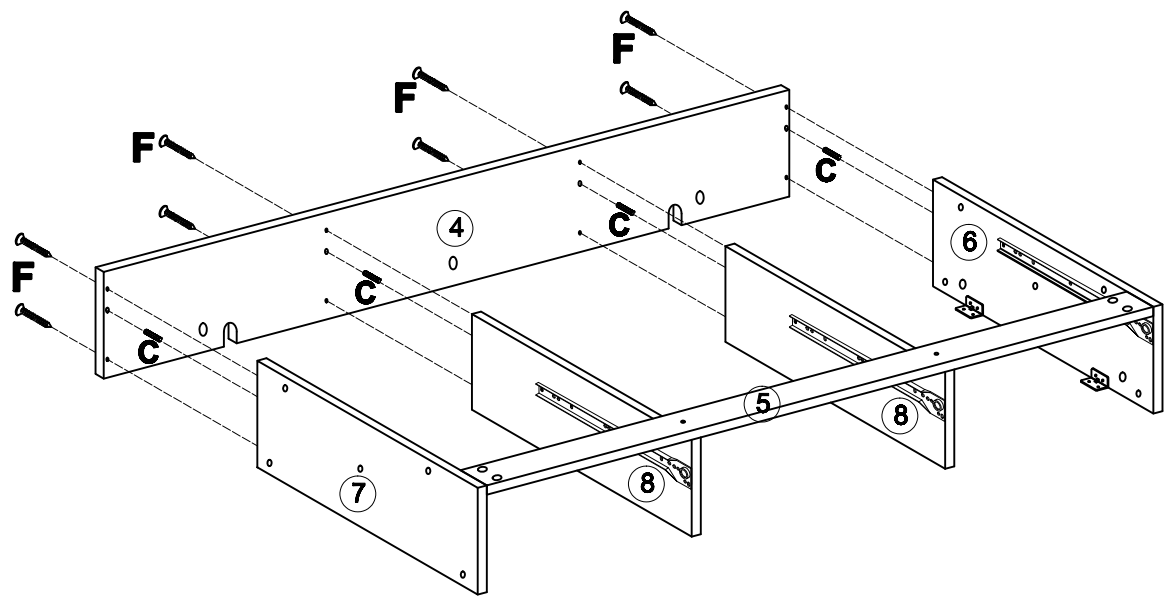
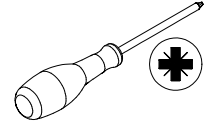


Ø6 x 30mm

F x 8



Ø3.5 x 30mm



STEP7

B x 11

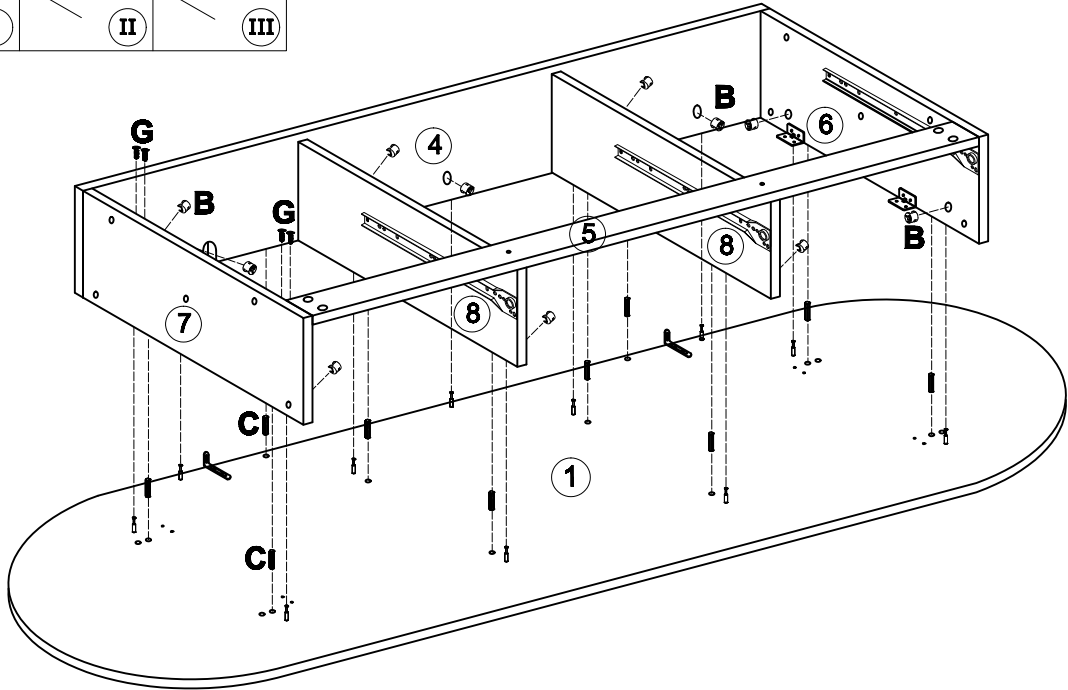
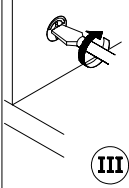
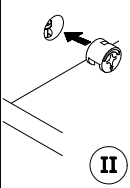
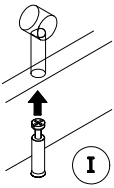
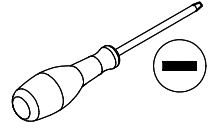


$\varnothing 15 \times 9.5\text{mm}$

C x 10



$\varnothing 6 \times 30\text{mm}$

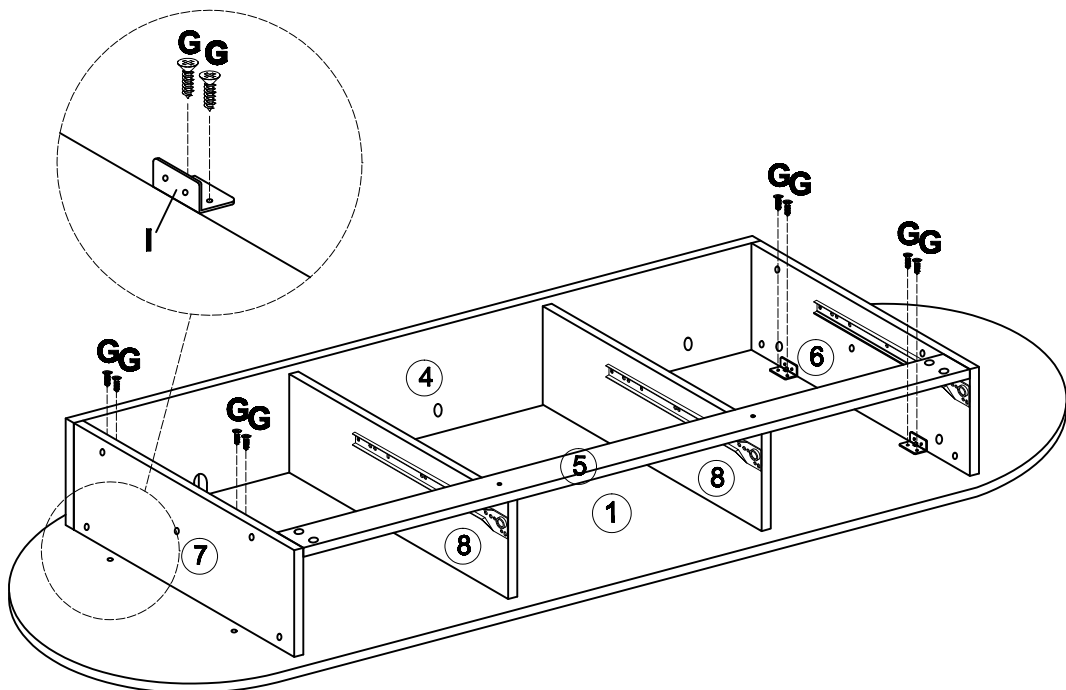
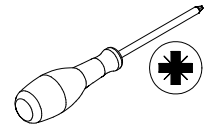


STEP8

G x 8



$\varnothing 3.5 \times 12\text{mm}$



STEP 9

C x 4



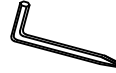
Ø8 x30mm

D x 10

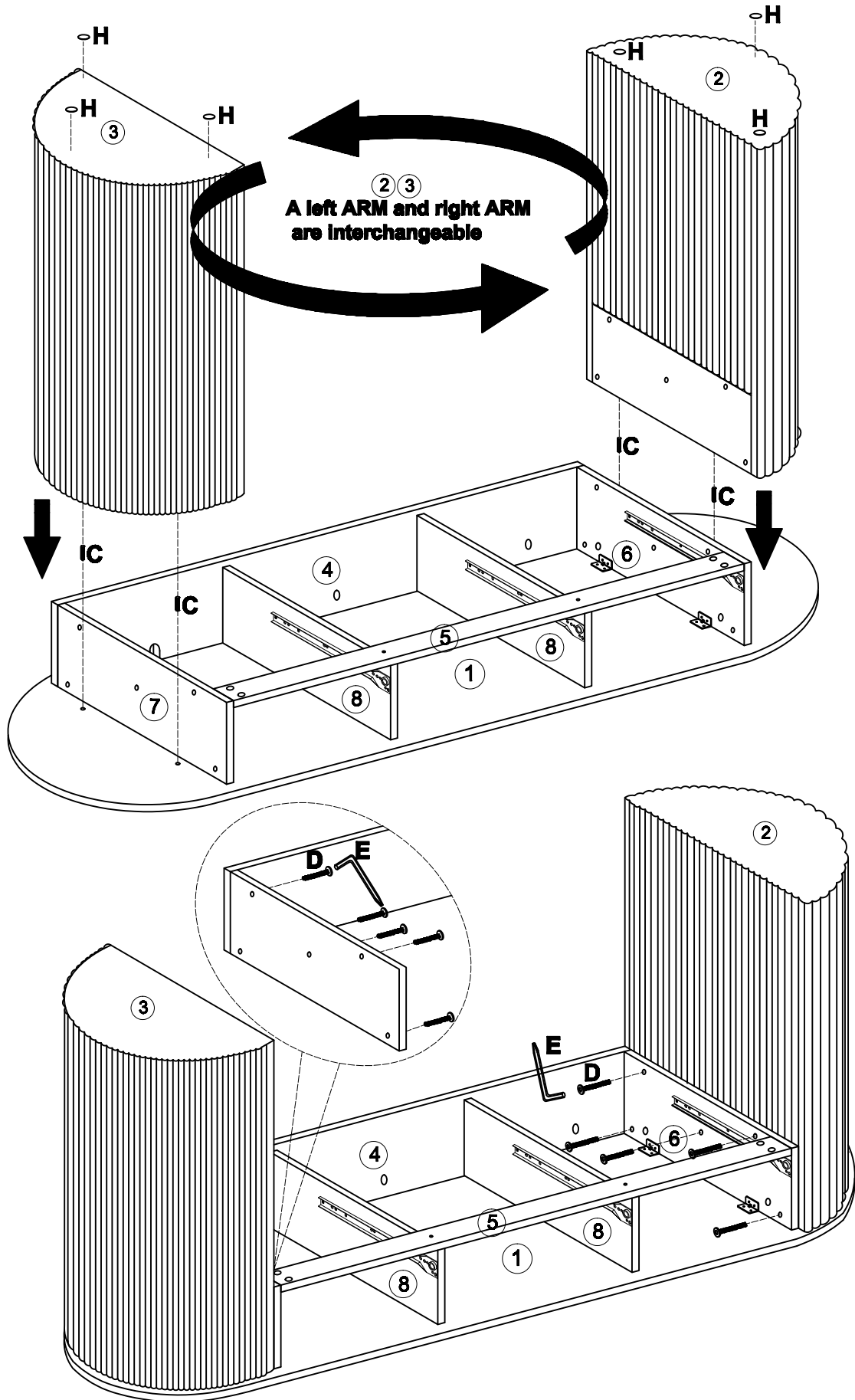


M8 x25mm

E x 1



H x 6



STEP 10

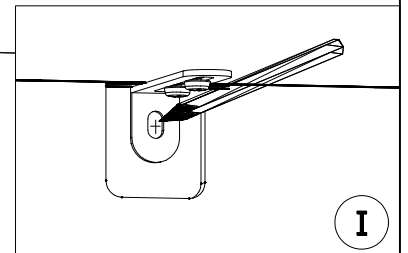
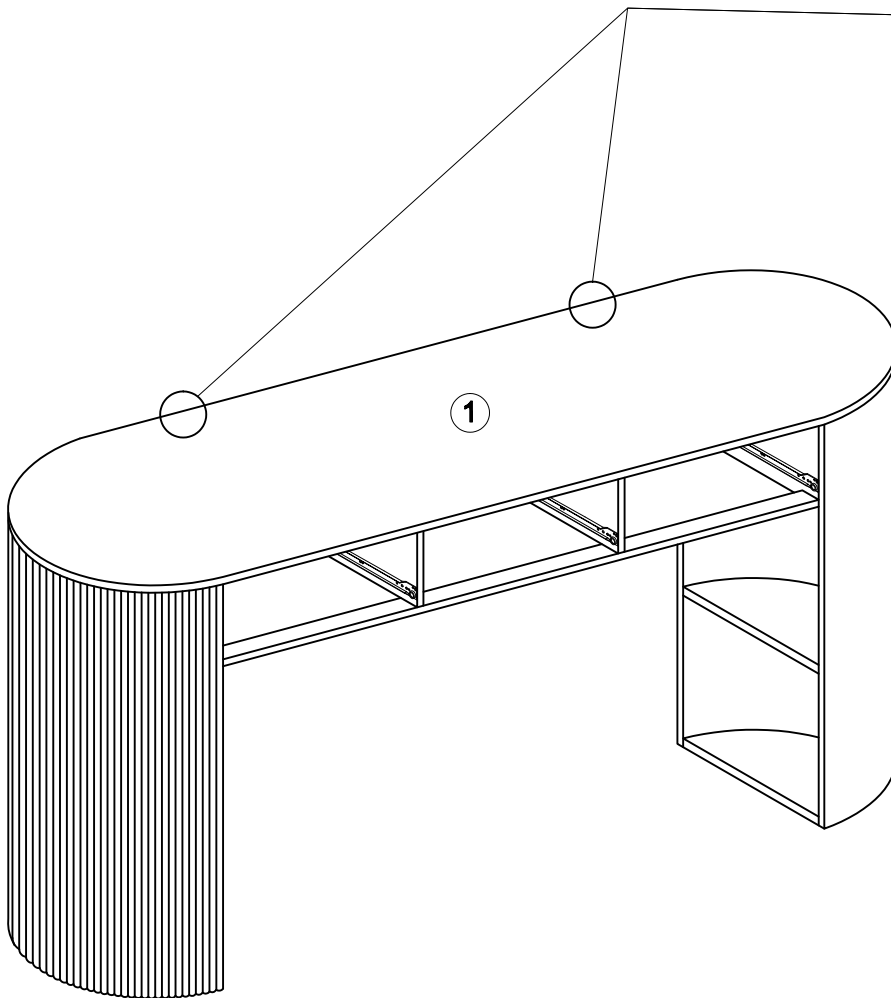
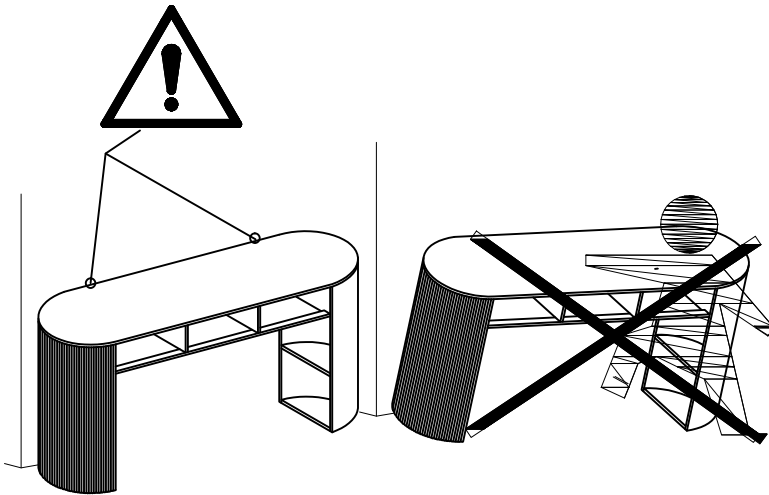
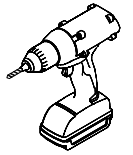
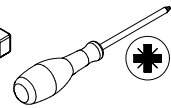
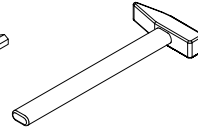
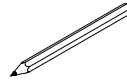
W x 2



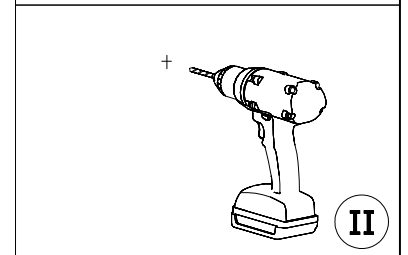
X x 2



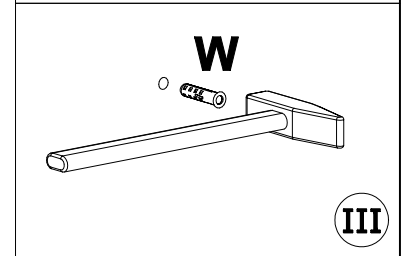
Ø3.5 x40mm



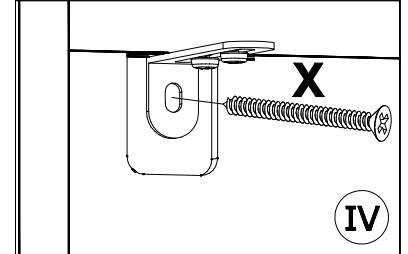
I



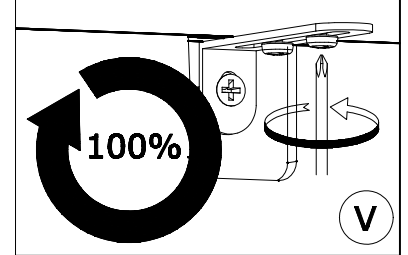
II



III



IV



V

STEP11

A x 12



Ø6 x 35mm

B x 12

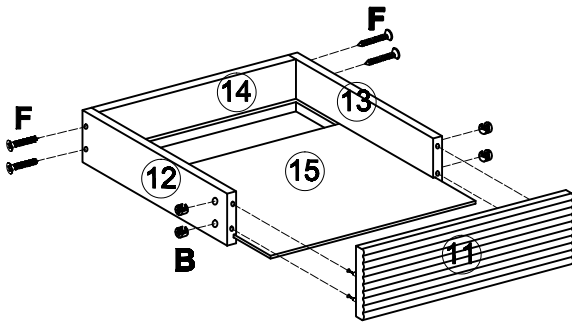
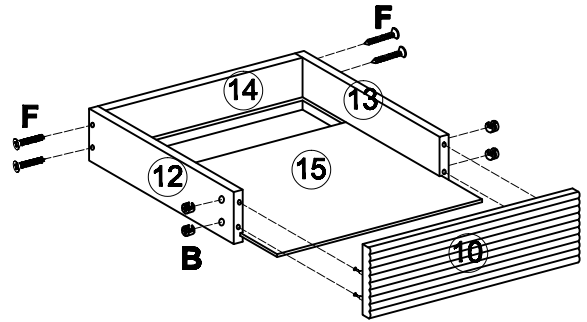
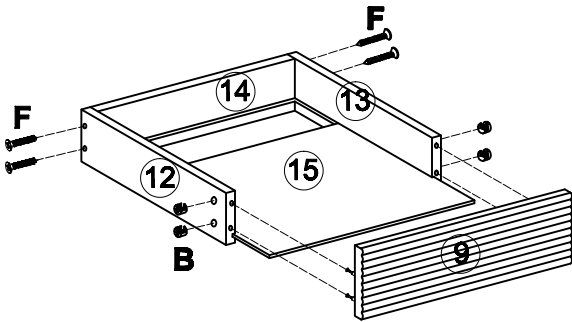
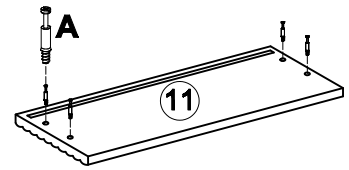
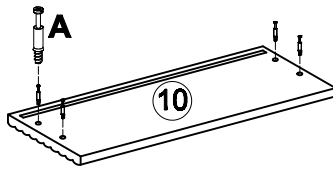
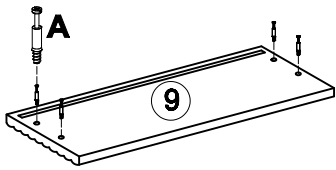
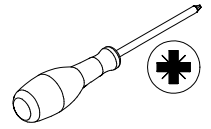


Ø15 x 9.5mm

F x 12



Ø3.5 x 30mm

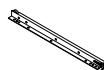


STEP12

DL x 3



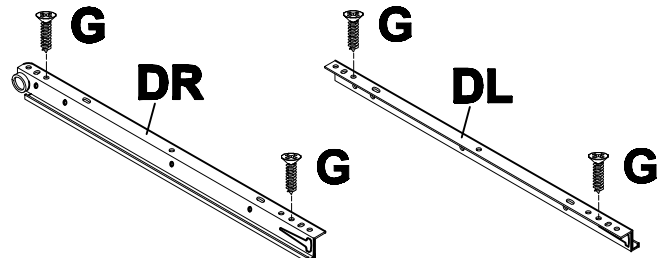
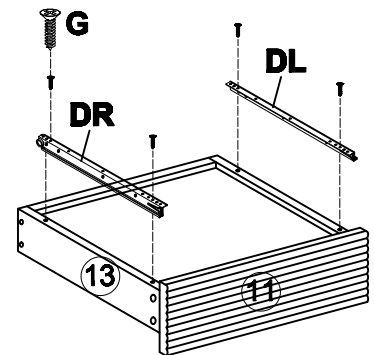
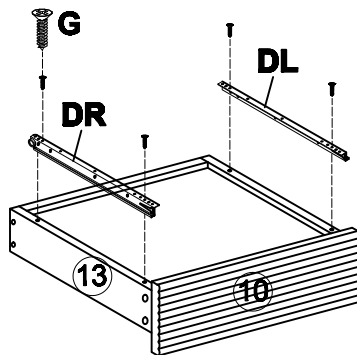
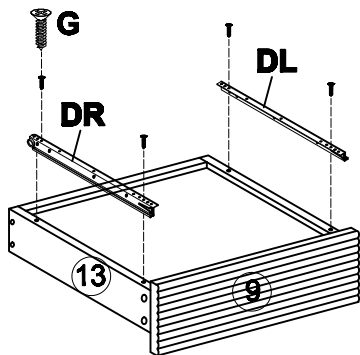
DR x 3



G x 12



Ø3.5 x 12mm



STEP13

