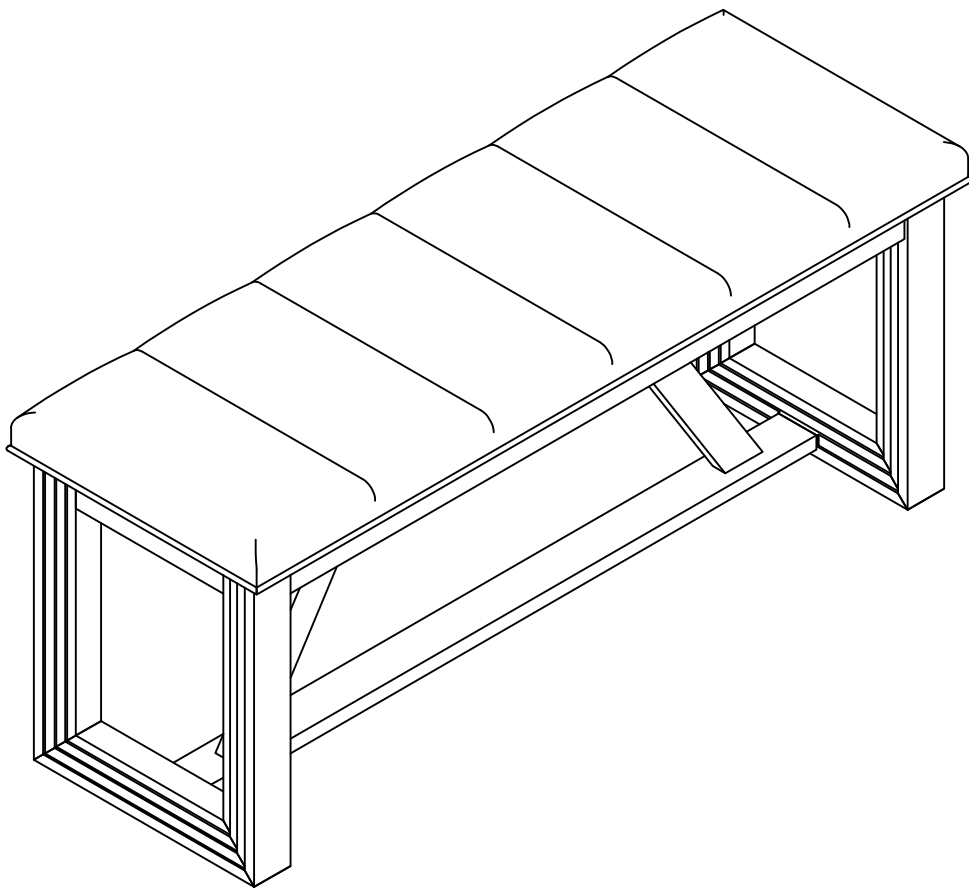


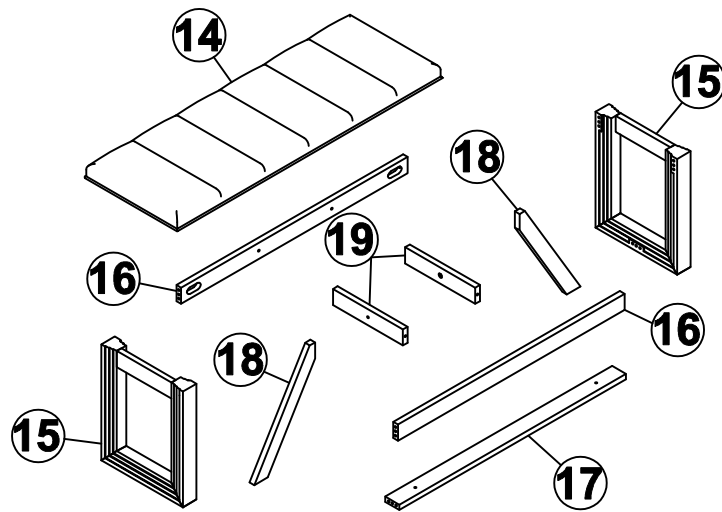
ASSEMBLY INSTRUCTION

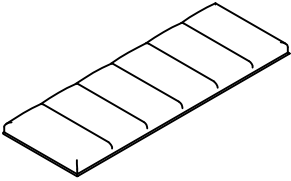

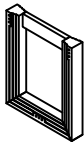

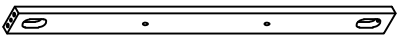

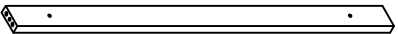

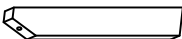
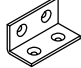
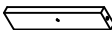


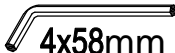
DINING BENCH



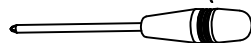
IMPORTANT NOTE :

- ① PLACE ALL PARTS ON A CLEAN AND SMOOTH SURFACE SUCH AS A RUG OR CARPET TO AVOID THE PARTS FROM BEING SCRATCHED.
- ② BEFORE YOU BEGIN , KINDLY FOLLOW THE ASSEMBLY INSTRUCTIONS STEP BY STEP.
- ③ DO NOT TIGHTEN ALL SCREWS AND BOLTS UNTIL THE BENCH IS FULLY SET-UP

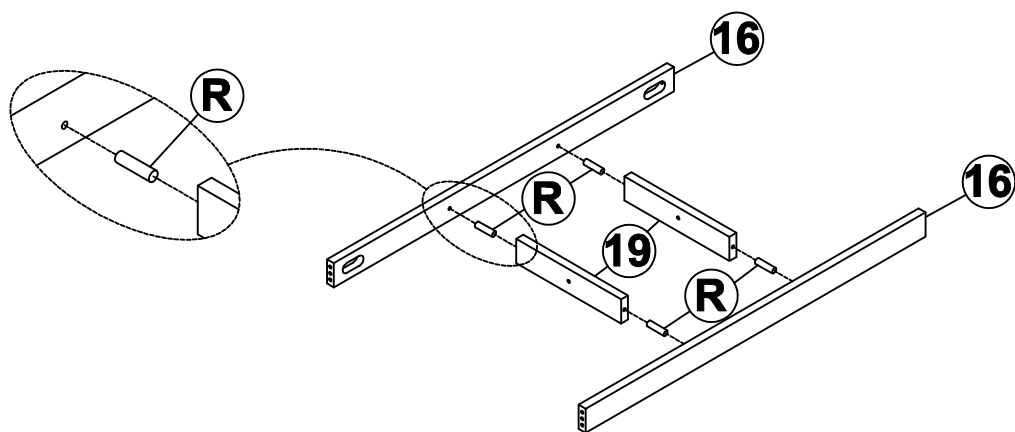



PART LIST FOR ONE BENCH		HARDWARE LIST FOR ONE BENCH	
14	 SEAT BENCH (1pc)	L	 Ø1/4" x 55mm BOLT (6pcs)
15	 FRAME LEGS BENCH (2pcs)	Q	 Ø1/4" x 40mm BOLT (4pcs)
16	 TOP LONG STRETCHER (2pcs)	R	 Ø8 x 30mm WOODEN PEGS (16pcs)
17	 LONG STRETCHER (1pc)	S	 Ø15 x 15 x 2mm METAL ANGLE (12pcs)
18	 STRETCHER (2pcs)	T	 Ø40 x 40 x 20mm METAL ANGLE (4pcs)
19	 STRETCHER (2pcs)	U	 Ø19"x15x10mm PLASTIC WASHER (6pcs)
		V	 Ø4 x 15mm SCREW (40pcs)
		H	 4x58mm ALLENKEY (1pc)

ASSEMBLY TOOLS REQUIRED (NOT INCLUDED)

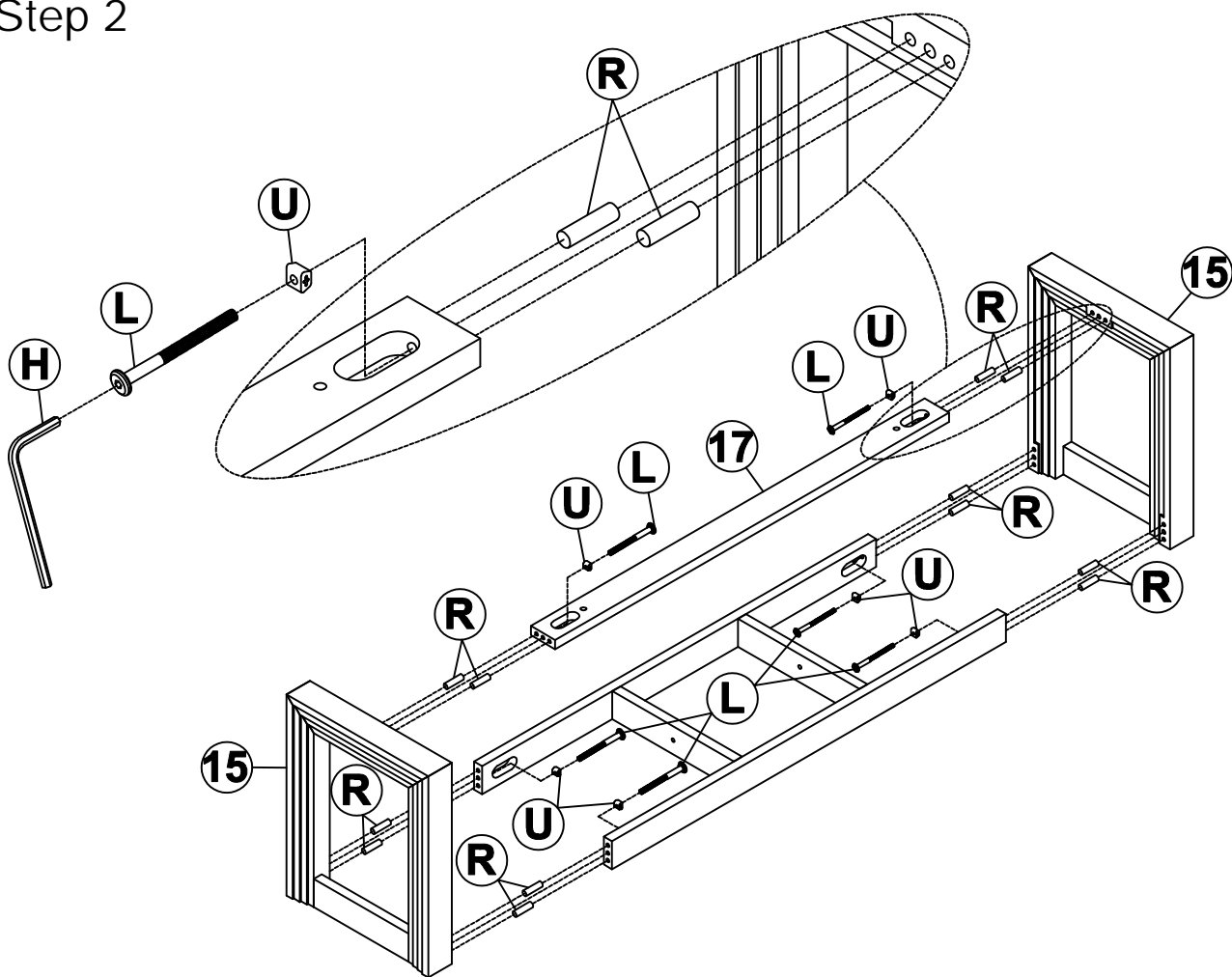






Step 1



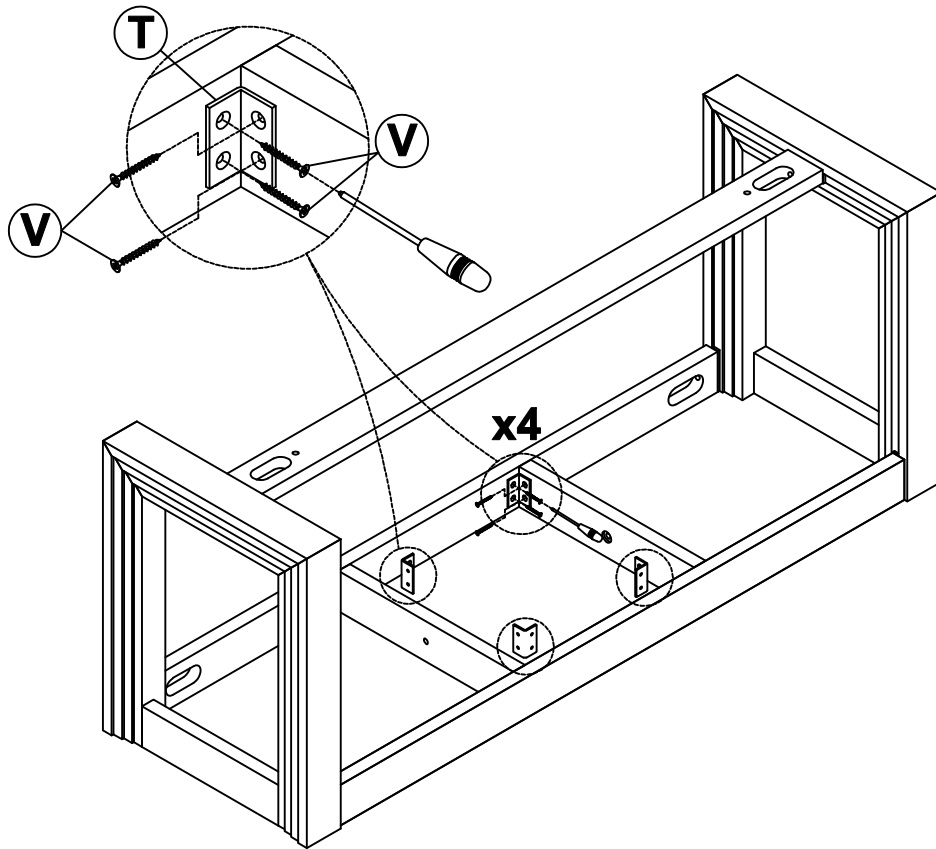
R	∅8x30		4PCS
----------	-------	---	------

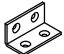

Step 2



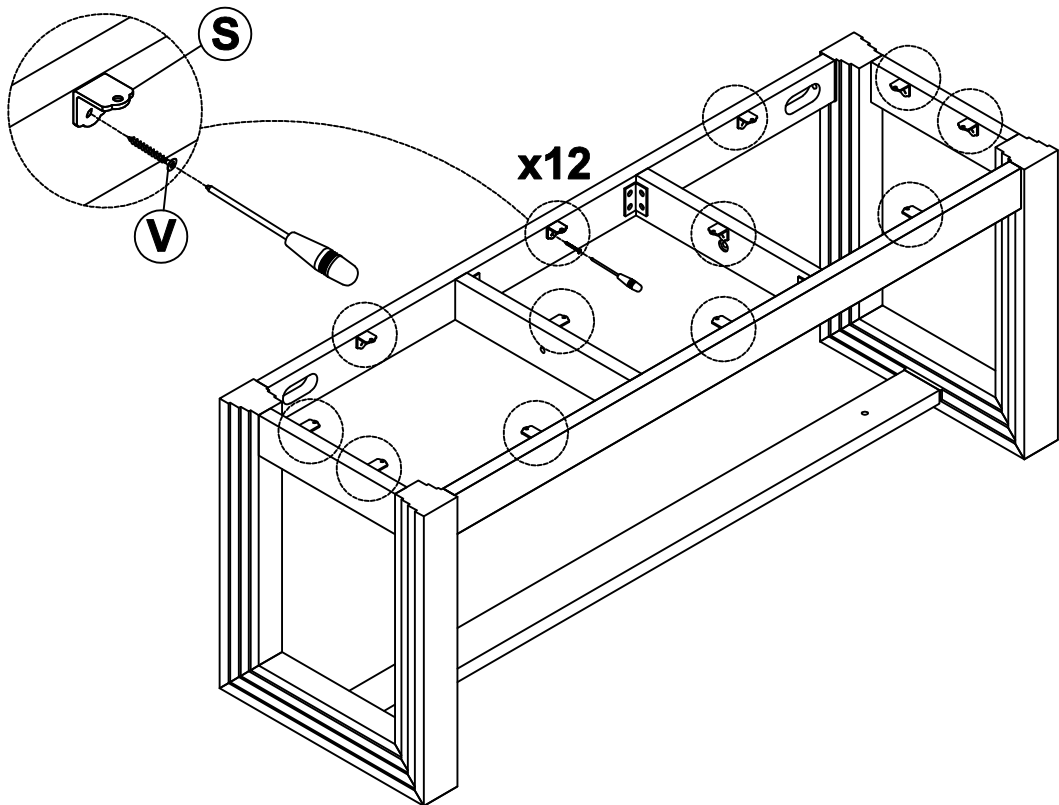
L	∅1/4"x55		6PCS	U	19x15x10		6PCS
R	∅8x30		12PCS	H	4x58		1PC



Step 3



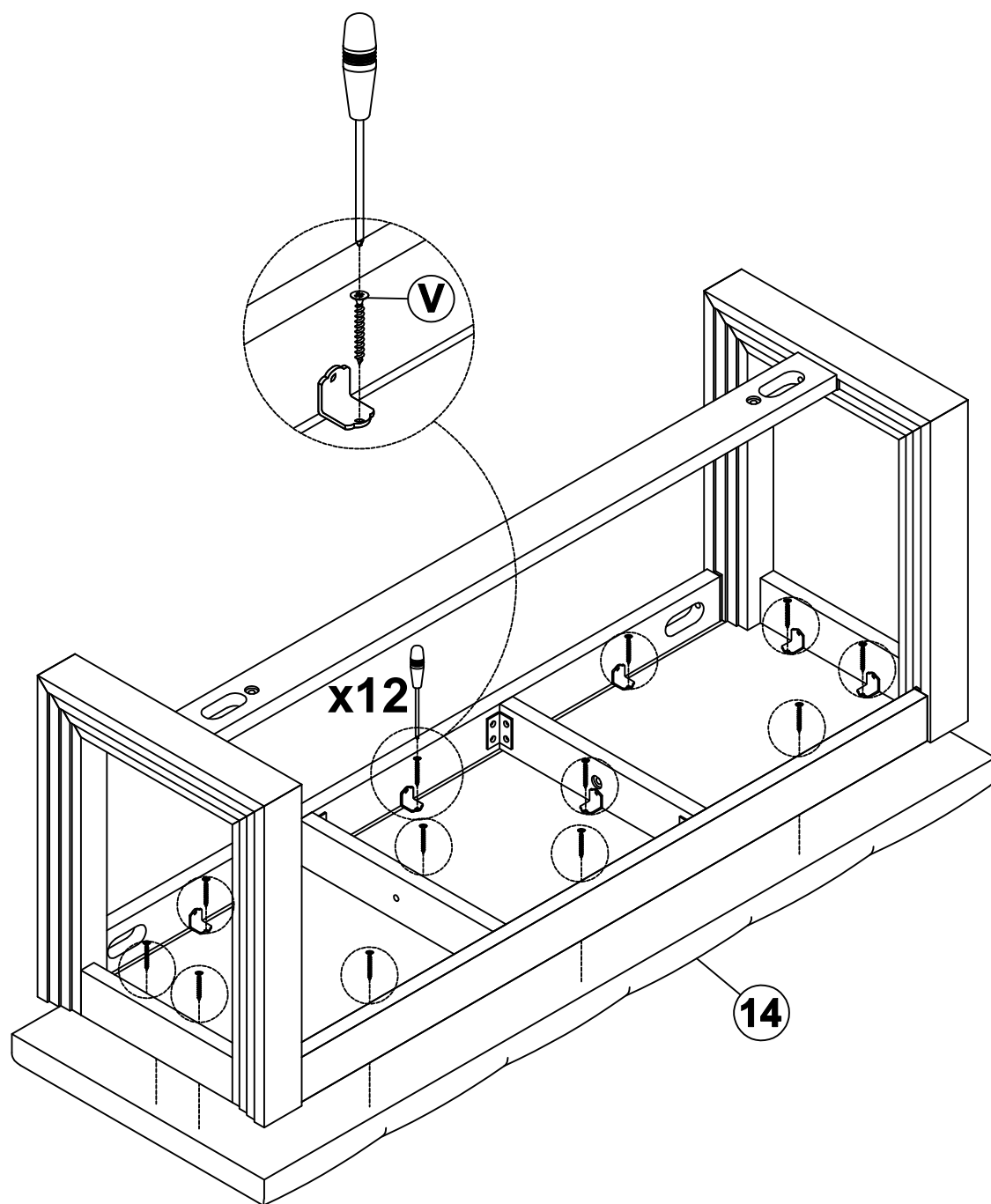
T	40x20x20		4PCS	V	Ø4x15		16PCS
----------	----------	---	------	----------	-------	---	-------


Step 4



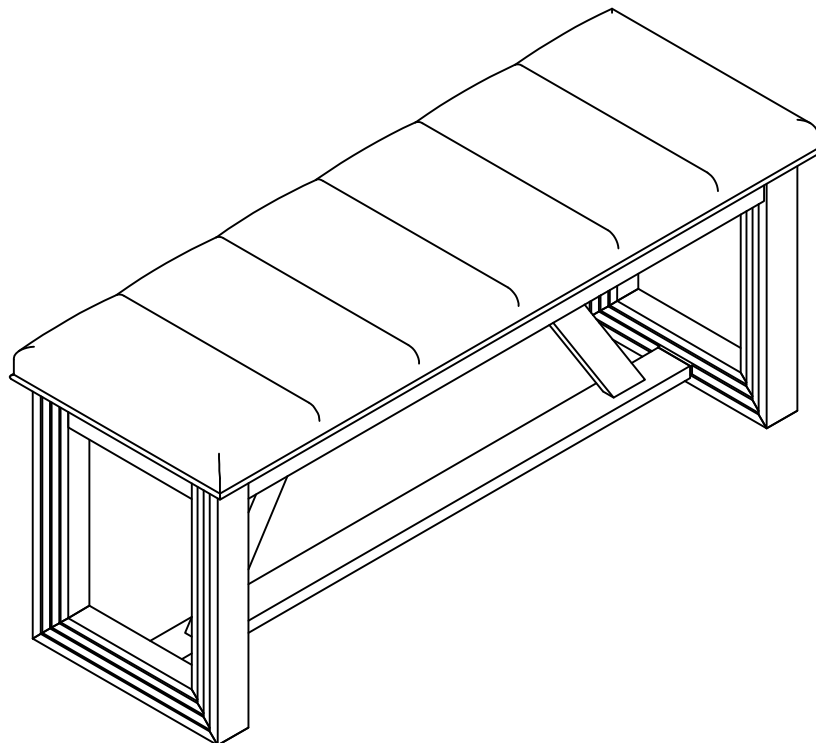
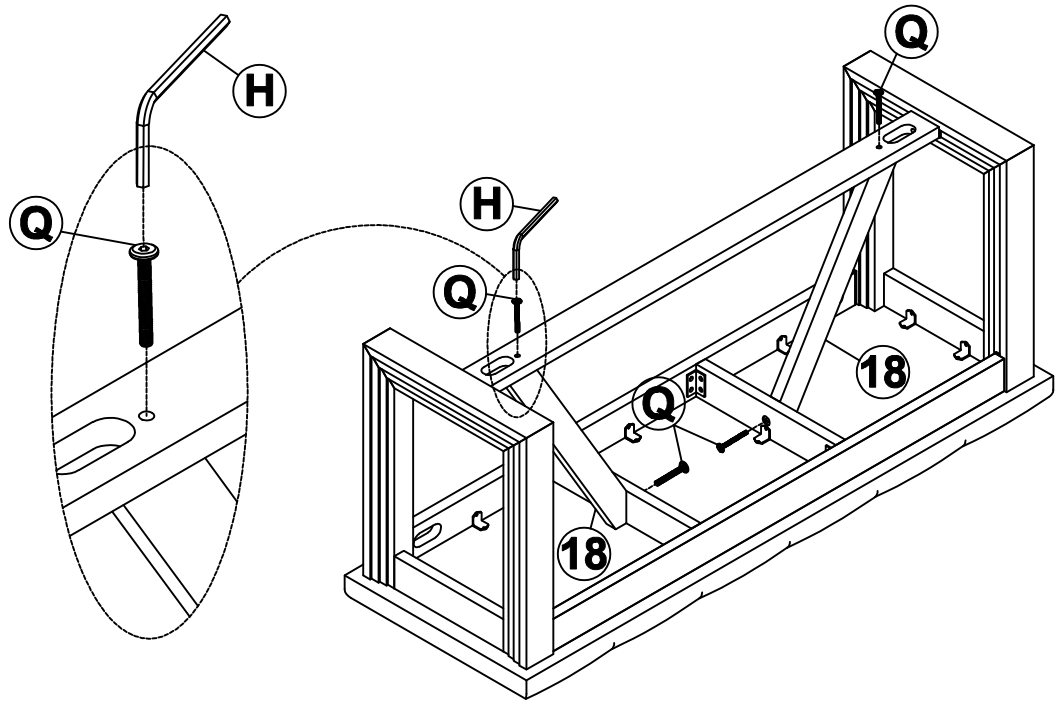
S	15x15x2		12PCS	V	Ø4x15		12PCS
----------	---------	---	-------	----------	-------	---	-------

Step 5



V	Ø4x15		12PCS
----------	-------	---	-------

Step 6



Complete

Q	Ø1/4"x40 	4PCS	H	4x58		1PC
----------	--	------	----------	------	---	-----