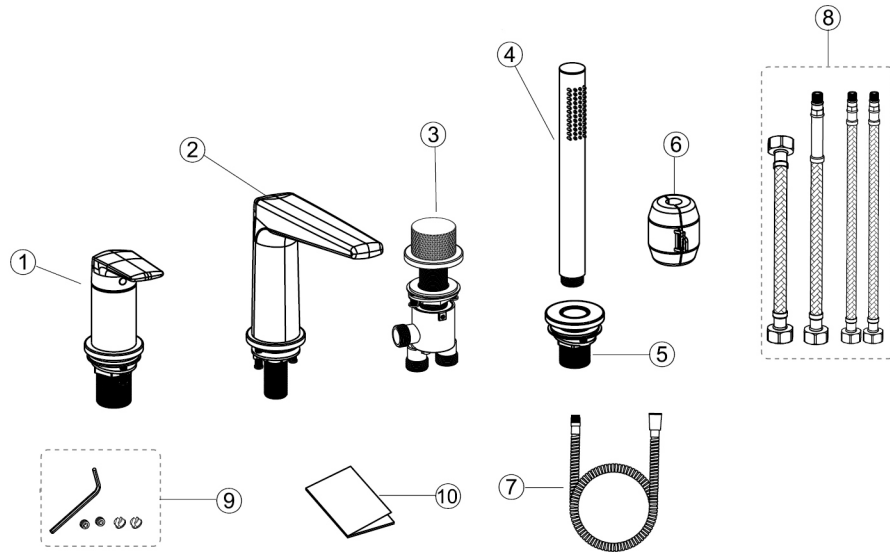


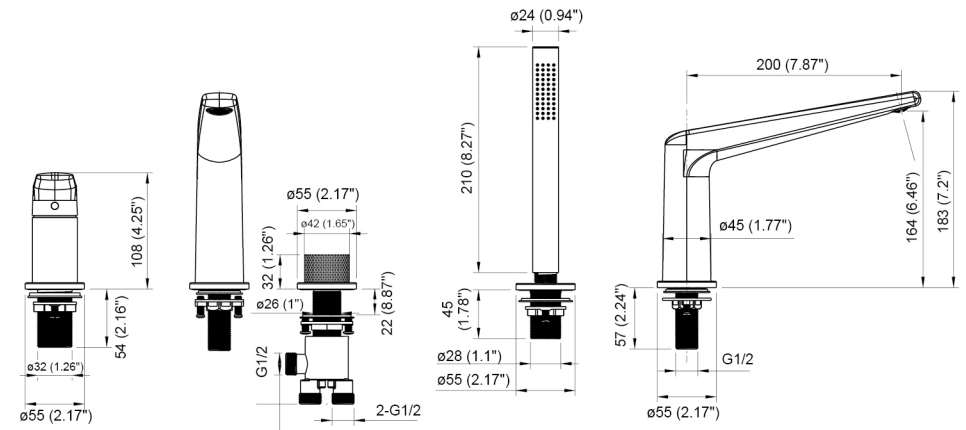
INSTALLATION INSTRUCTIONS



Parts list

NO	PART NAME	QTY	NO	PART NAME	QTY
①	Handle assembly	1	②	Spout assembly	1
③	switch assembly	1	④	Hand shower	1
⑤	Cover & connector	1	⑥	Gravity ball	1
⑦	Shower hose	1	⑧	Water supply hoses	4
⑨	Screws bag	1	⑩	Instructions	1

Dimensional drawing

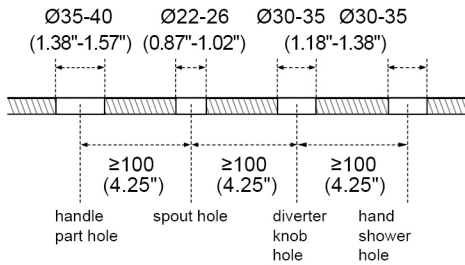


Unit: mm/ inch

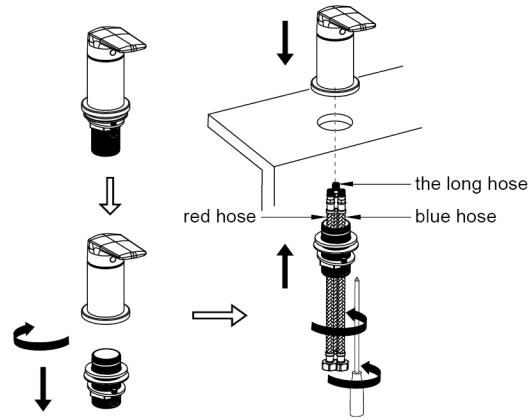
Installation Precautions

1. After unpacking the package, please check whether the accessories are complete according to the "Accessories List". If there are any missing accessories, please contact us immediately
2. The main faucet body has been inspected and tested before leaving factory, please do not disassemble it by yourself
3. In order to avoid blockage and affect use, please remove the impurities and sludge in the water pipe before installing the faucet
4. Use a mild liquid detergent for cleaning, do not use abrasive detergent that may scratch or dull the surface

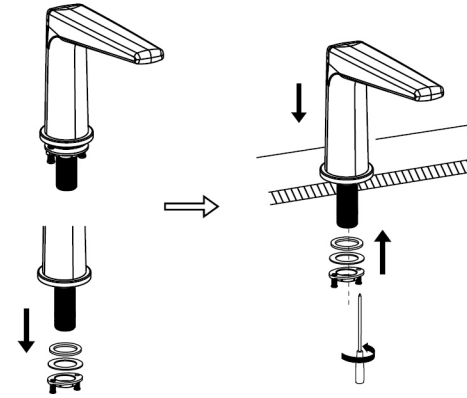
Recommended opening holes size: (unit: mm/inch)



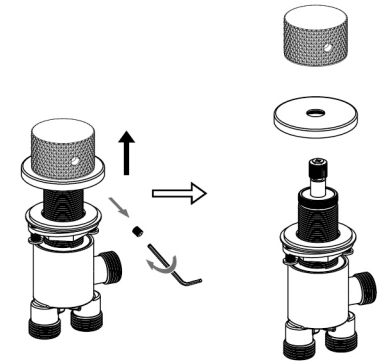
1. Drill holes as recommended opening holes size (Note: holes distance should as picture shows).



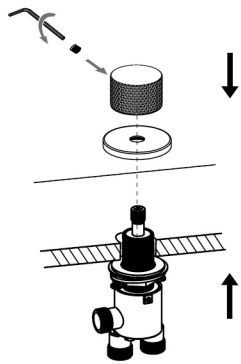
2. Disconnect handle fixing parts from handle parts, put red & blue hoses and the long hose through thread pipe and connect them to the handle part as picture shows, screw thread pipe to handle part then tighten the handle fixing parts.



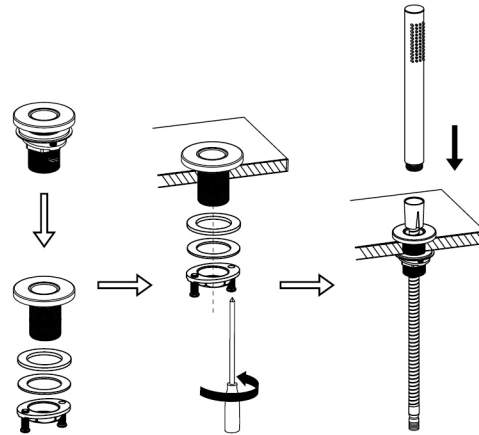
3. Screw spout fixing parts to spout, unscrew the washers and the fixing nut, place spout to bathtub hole, reinstall washers and fixing nut then hand tighten them.



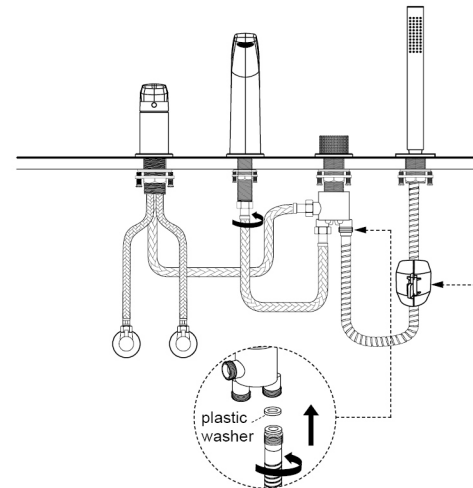
4. Use allen key to loose the screw in knob then disconnect knob & cover, rubber washer, diverter valve part as picture shows.



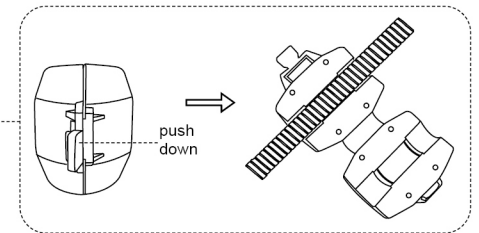
5. Pass the diverter valve part through bathtub hole as picture shows, reinstall the rubber washer, knob & cover then tighten the diverter fixing parts and the screw in the knob.



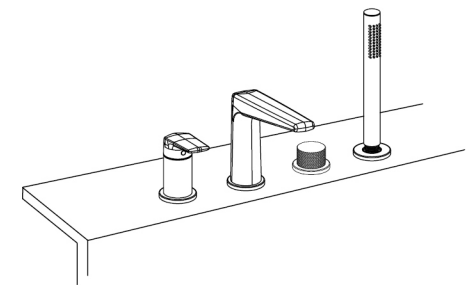
6. Unscrew the washers and fixing nut from cover & connector, place cover & connector to bathtub hole, reinstall the washers and fixing nut; connect hand shower and shower hose then place the shower hose to the bathtub hole as picture show.



7. Connect the red & blue hose to the hot and cold angle valves, connect the long hose to the hole on the side of diverter valve part, connect the short hose to the spout and the left hole of the diverter valve part, put the plastic washer on the connector of shower hose then screw it to the right hole of diverter valve part.



8. Open the gravity ball, clamp the shower hose, then close the gravity ball.



9. Turn on water, check for leakage, retighten the hoses if necessary.