

210.00 mm

Outsunny Assembly Instructions



Rolling Cooler

280.00 mm
正面

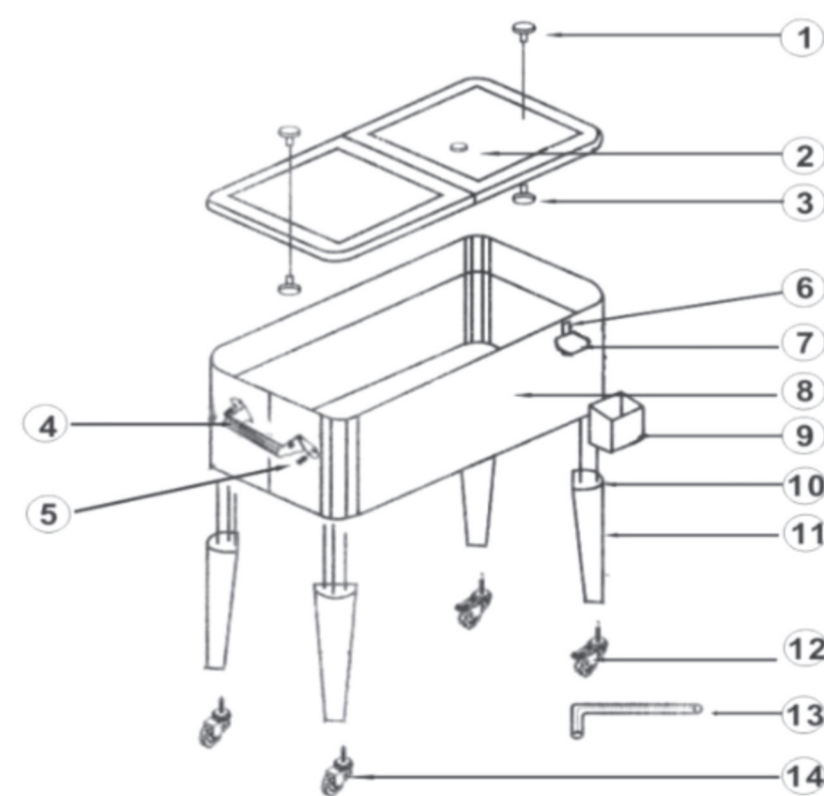
Parts List

Item	Description	Qty
1	Lid Handle	2
2	Lid	1
3	M5*35 Screws	2
4	Handle	2
5	M6*16 Screws	8
6	M6*16 Screws	2
7	Bottle Opener	1
8	Basin	1
9	Bottle-cap Catcher	1
10	M6*16 Bolts	12
11	Legs	4
12	Casters with Lock	2
13	M6 Allen Wrench	1
14	Casters without Lock	2

Tools Required

#2 Phillips screw driver,
Allen wrench (included)

Assembly



Please read the cooler manual carefully and assemble according to following steps.

1. Please make sure all parts are accounted for before beginning assembly.
2. Place main basin up-side down on clean soft surface
3. Attach the 4 legs (part 11) to basin using the 12 M6*16 Bolts (part 12).
4. Turn entire assembly right side-up. Press caster brake lever to lock casters into place and attach left handle (part 4) to main basin using 4 each M6*16 screws (part 10) tighten with wrench. Repeat for right handle.
5. Attach bottle-cap catcher (part 9) to main basin by sliding it down over 2 pre-installed bolts.
6. Attach bottle opener (part 7) to main basin using 2 each M6*16 screws tighten with the M6 Allen wrench.
7. Attach both lid handles (part 1) to cooler lid (part 2) with 2 each M5*35 screws (part 3) tighten
8. Clean inside of the palm springs cooler with soft dry towel. Place the cooler lid (part 2) on top of main basin (part 8)

反面