

---

---

# STORAGE CABINET

User Manual

---

---

## INTRODUCTION

Thank you for choosing the Storage Cabinet. Please read this user manual carefully and keep it for future reference. If you need any assistance, please contact us by email with your order number and details.


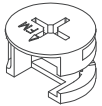


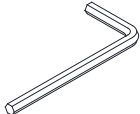
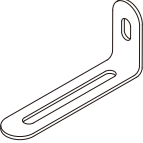






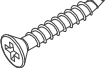
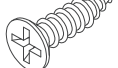

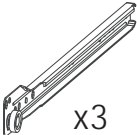
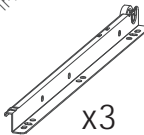
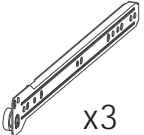
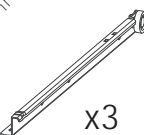
## PACKAGE CONTENTS

- Storage Cabinet
- Pack of Accessories
- User Manual

## PRODUCT CARE

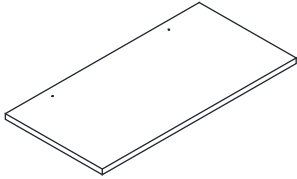
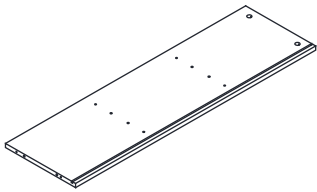
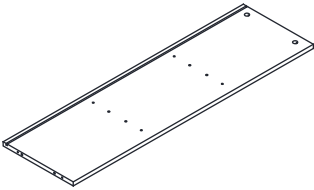
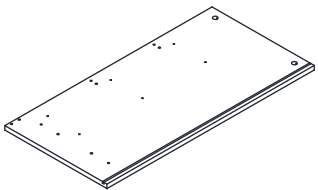
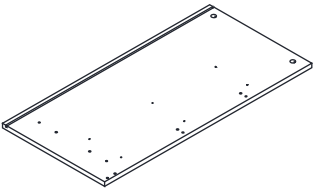
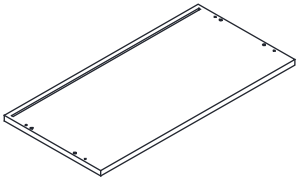
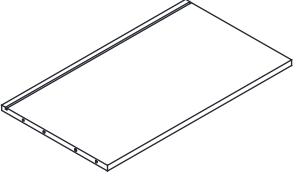
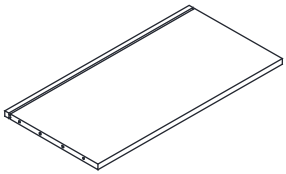
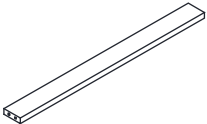
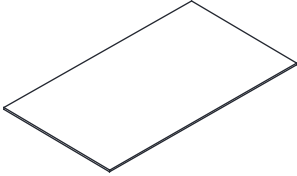
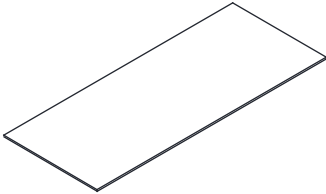
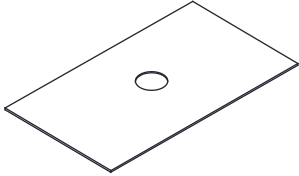
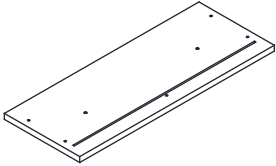
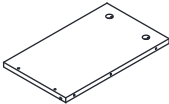
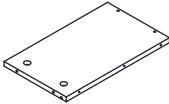
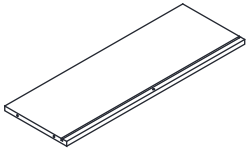
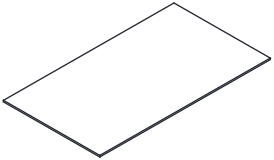
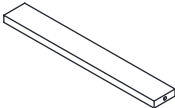
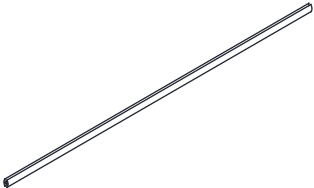
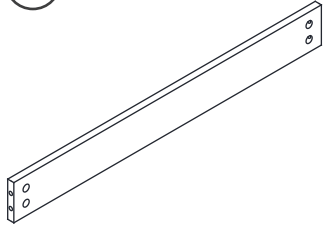
- Please follow the instruction to assemble this item correctly.
- Don't make the screws be too loose or too tight.
- Please put the screws into the holes' position just as shown in the arrows of the image, and then clockwise rotate 90° or 180°
- The fittings pack contains small accessories that should be kept away from small children.

## HARDWARE SUPPLIED

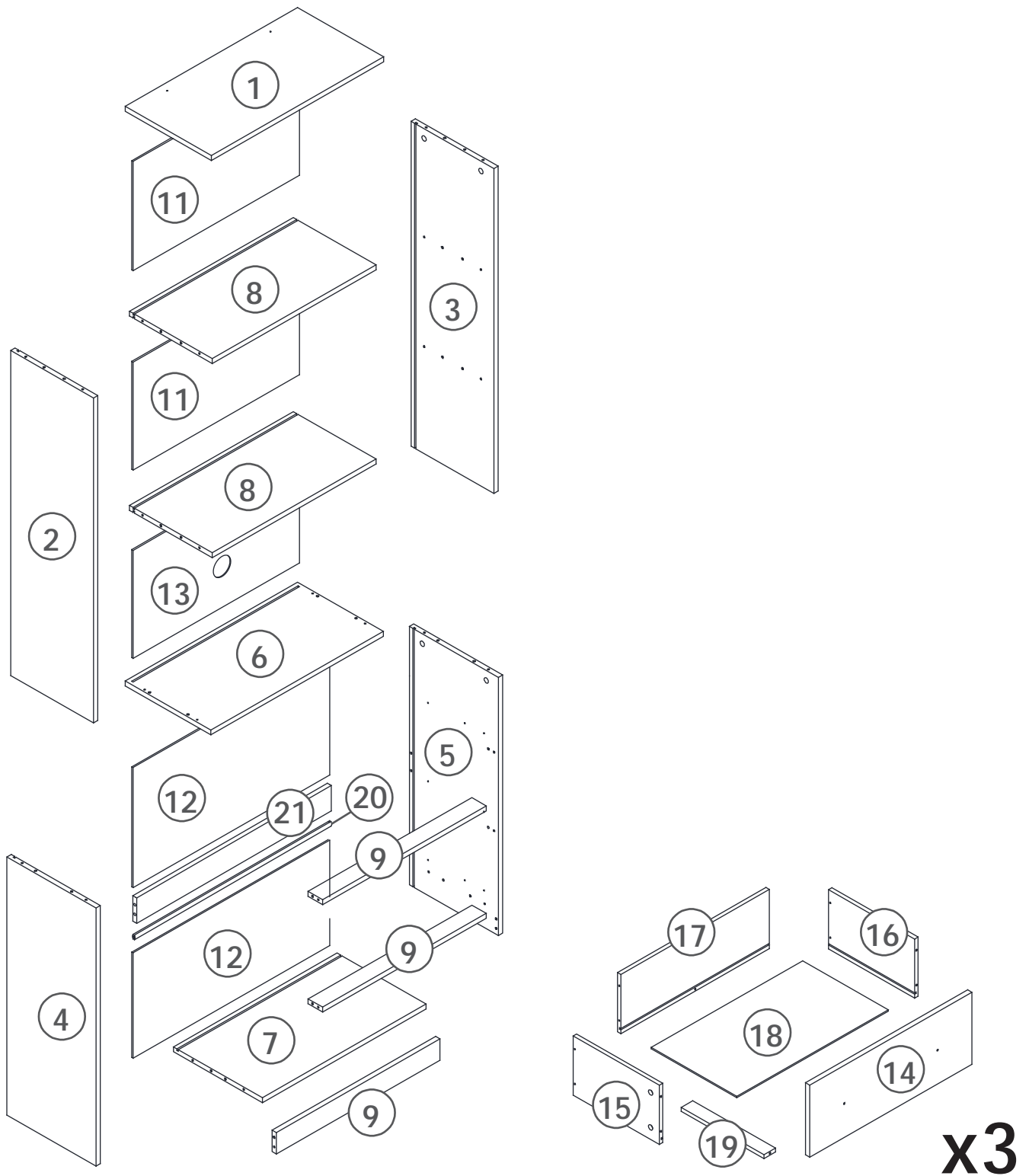
<b>A</b>  x45	<b>B</b>  x45	<b>C</b>  x30	<b>D M3*14mm</b>  x16	<b>E</b>  x1
<b>F F1</b>  x2	<b>F2 M4*12mm</b>  x2	<b>G</b>  x6	<b>H</b>  x6	<b>I</b>  x16
<b>J M5*45mm</b>  x4	<b>K</b>  x2	<b>L M4*30mm</b>  x17	<b>M M3.5*12mm</b>  x24	<b>N</b>  x41
<b>O O1(CL)</b>  x3	<b>O1(DL)</b> 101inch/250mm  x3	<b>O2(CR)</b>  x3	<b>O2(DR)</b> 101inch/250mm  x3	

# PARTS LIST

Unit: (mm)

<p>① 600*300</p>  <p>x1</p>	<p>② 985*287</p>  <p>x1</p>	<p>③ 985*287</p>  <p>x1</p>	<p>④ 782*288</p>  <p>x1</p>
<p>⑤ 782*288</p>  <p>x1</p>	<p>⑥ 600*300</p>  <p>x1</p>	<p>⑦ 567*300</p>  <p>x1</p>	<p>⑧ 567*286</p>  <p>x2</p>
<p>⑨ 567*63.5</p>  <p>x3</p>	<p>⑪ 572*326</p>  <p>x3</p>	<p>⑫ 572*360</p>  <p>x2</p>	<p>⑬ 572*326</p>  <p>x1</p>
<p>⑭ 565*218</p>  <p>x3</p>	<p>⑮ 250*165</p>  <p>x3</p>	<p>⑯ 250*165</p>  <p>x3</p>	<p>⑰ 520*165</p>  <p>x3</p>
<p>⑱ 528*245</p>  <p>x3</p>	<p>⑲ 287*50</p>  <p>x3</p>	<p>⑳</p>  <p>x1</p>	<p>㉑</p>  <p>x1</p>

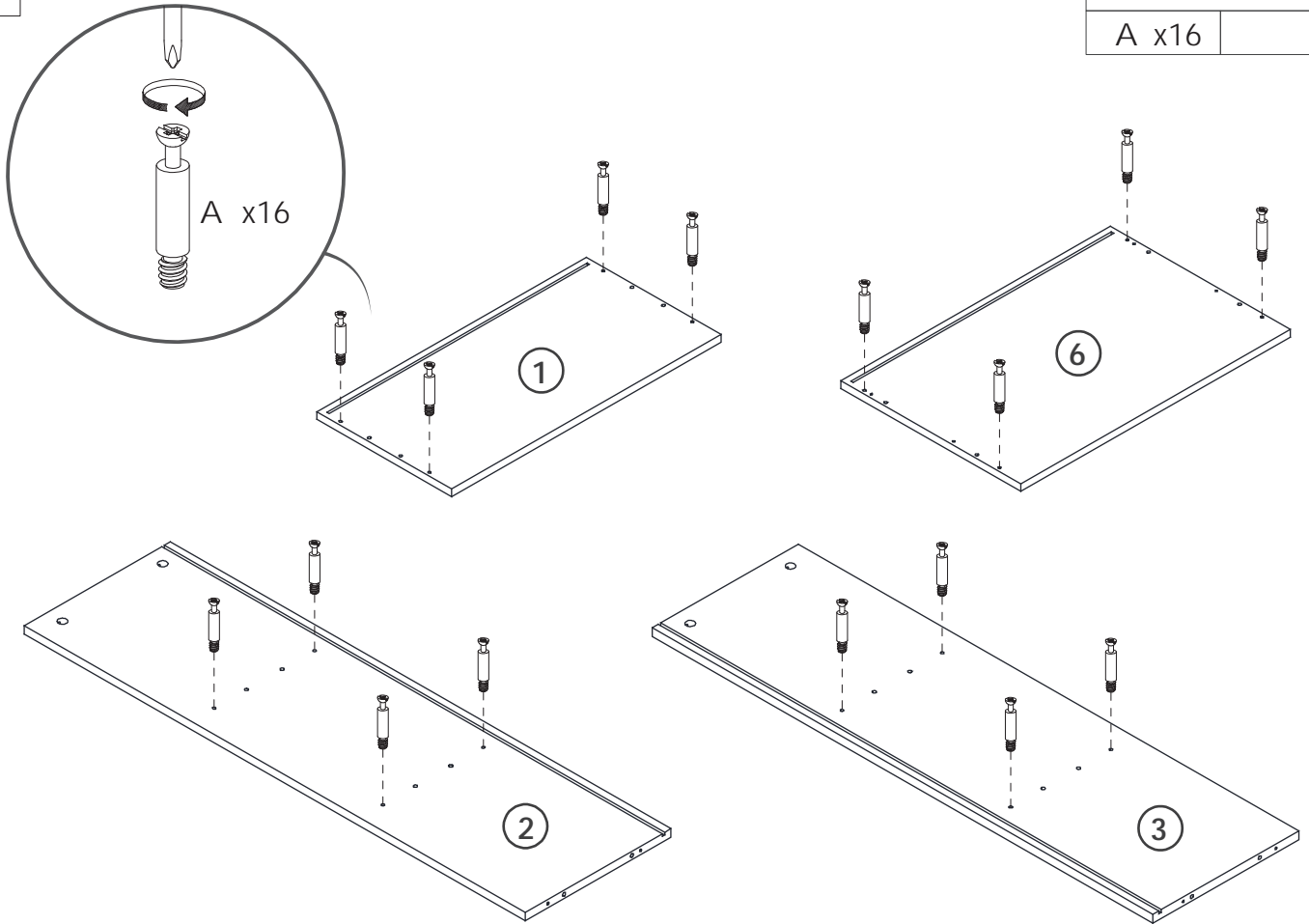
# PANEL LAYOUT



1

YOU WILL NEED

A x16

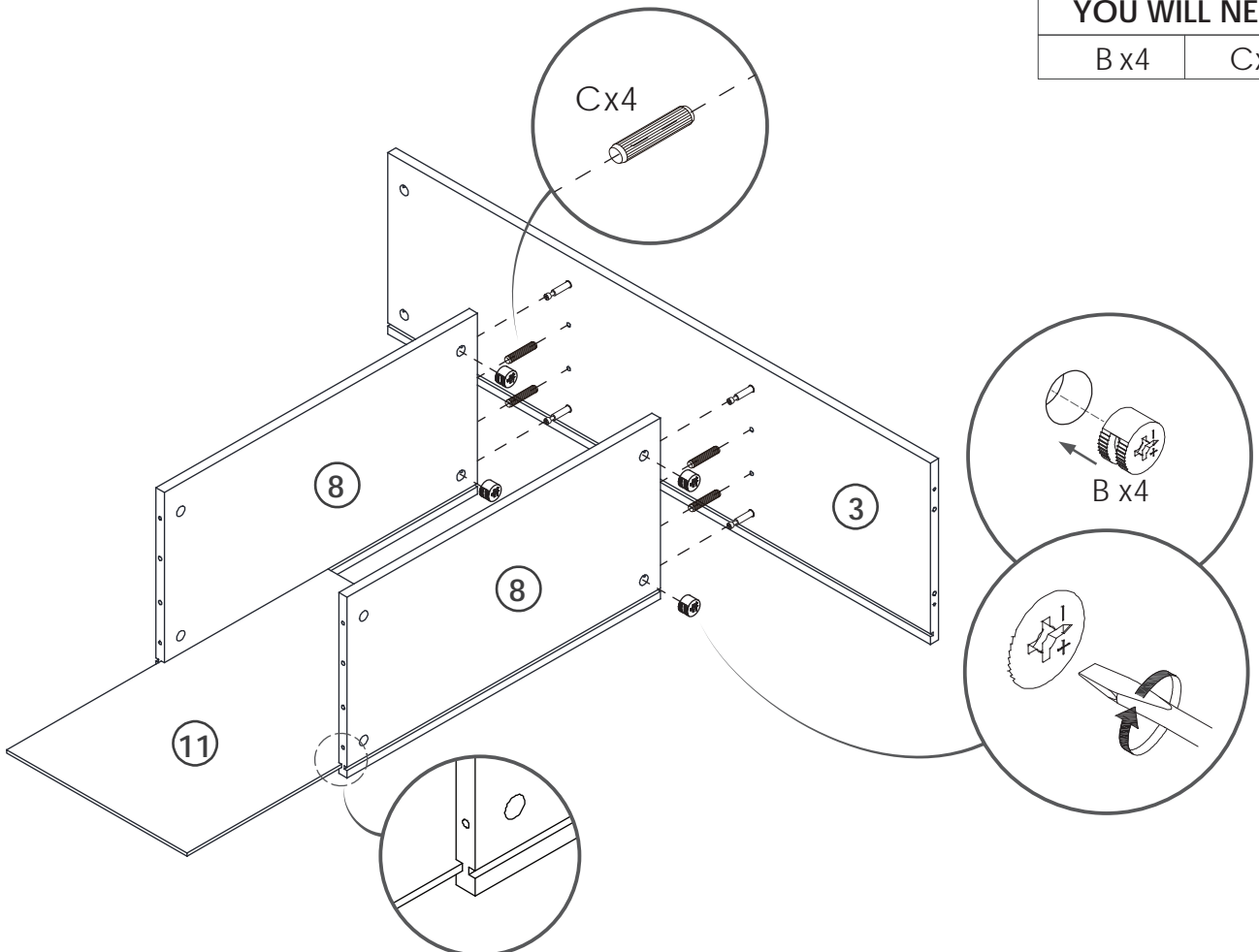


2

YOU WILL NEED

B x4

C x4

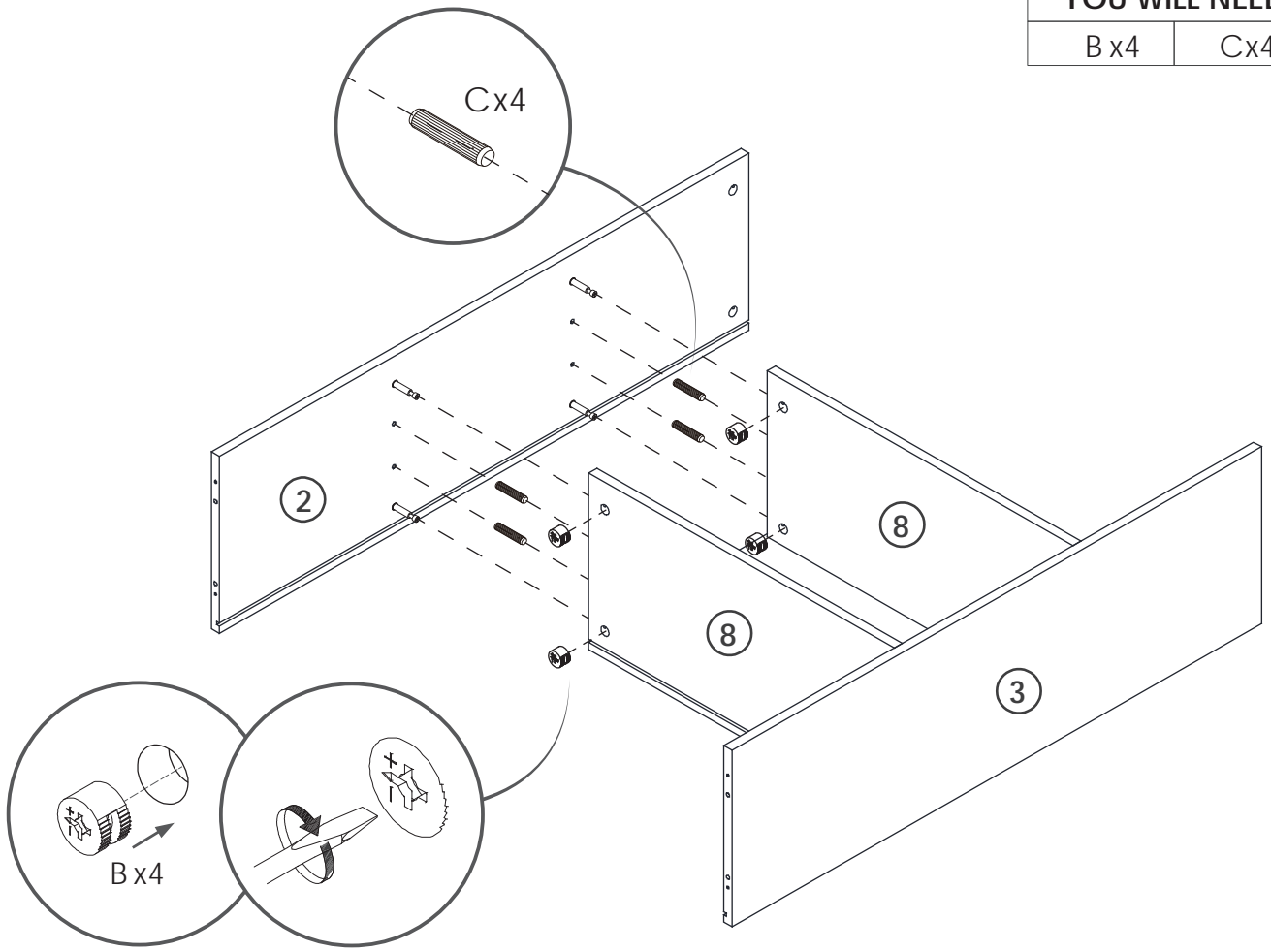


3

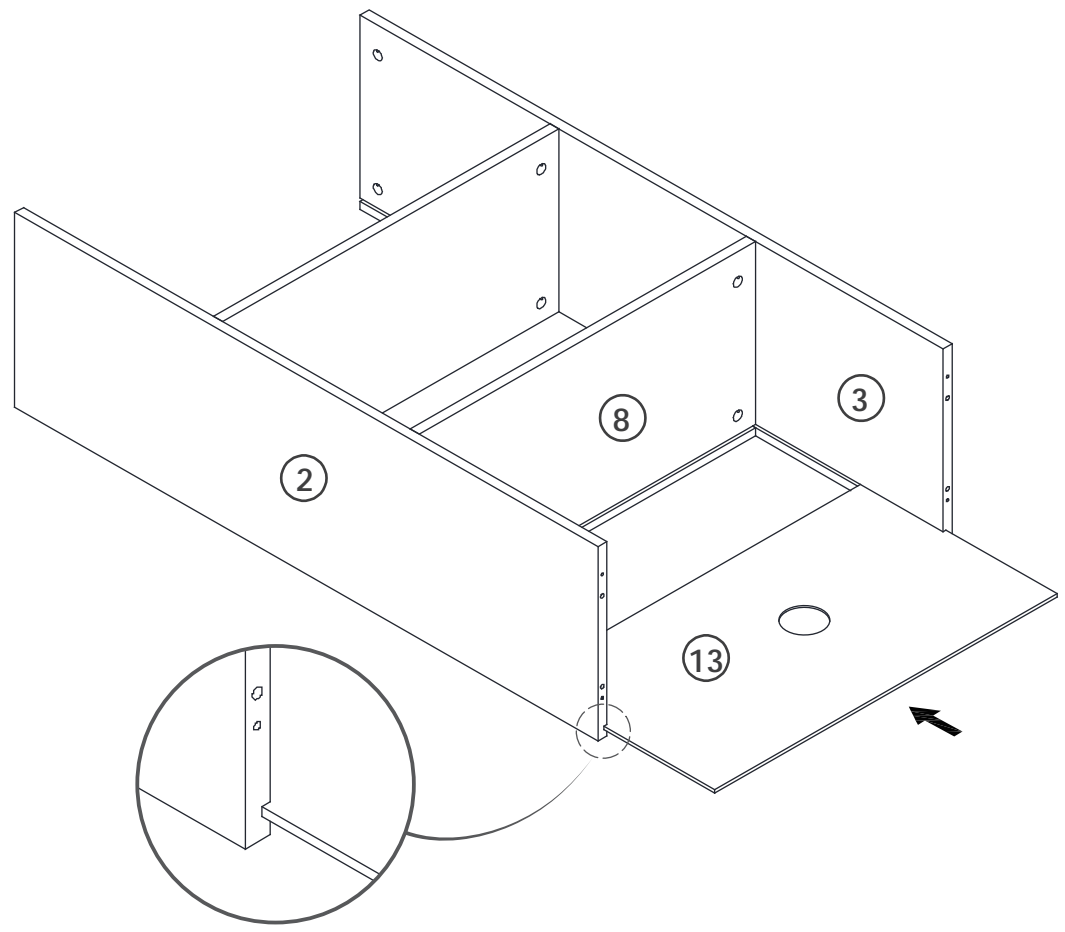
YOU WILL NEED

B x4

C x4



4



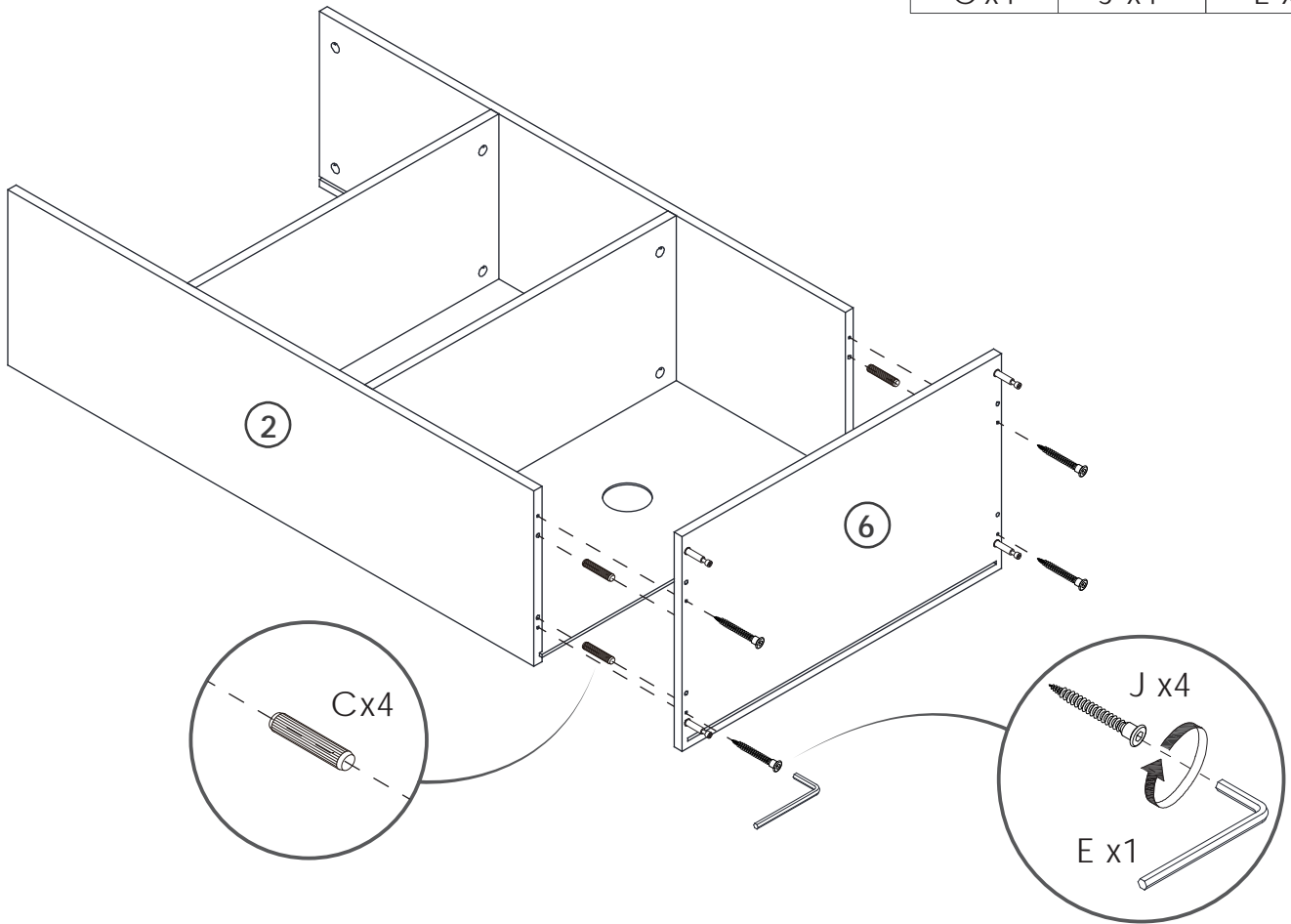
5

YOU WILL NEED

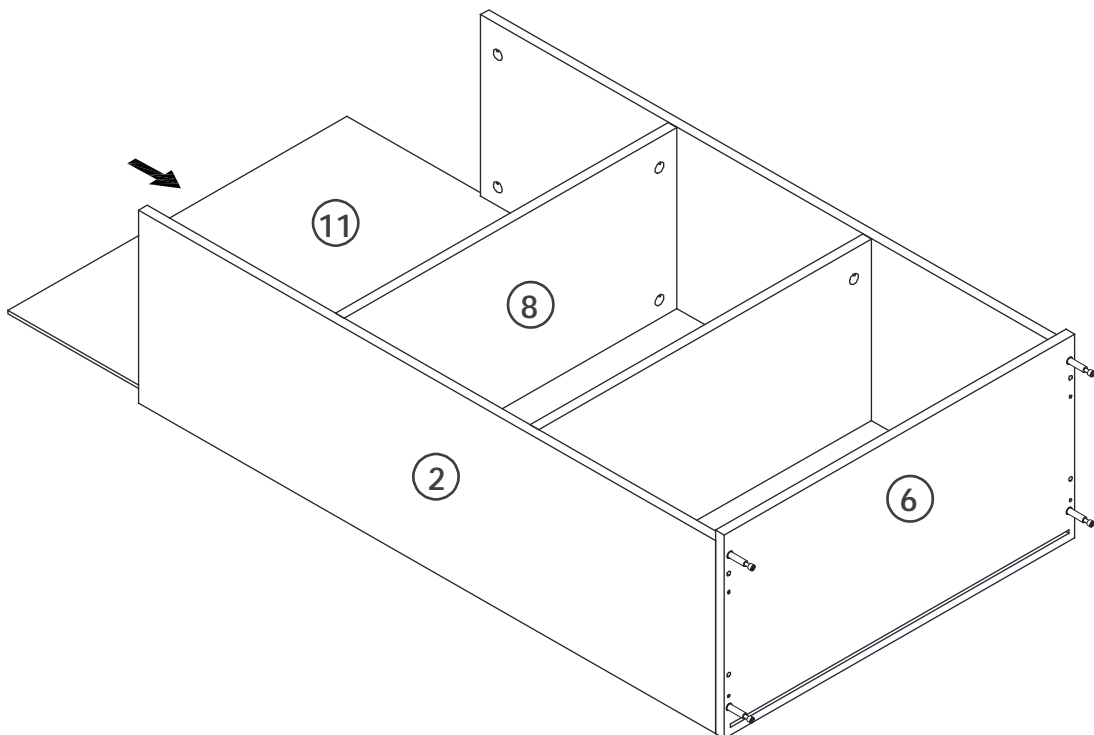
C x4

J x4

E x1



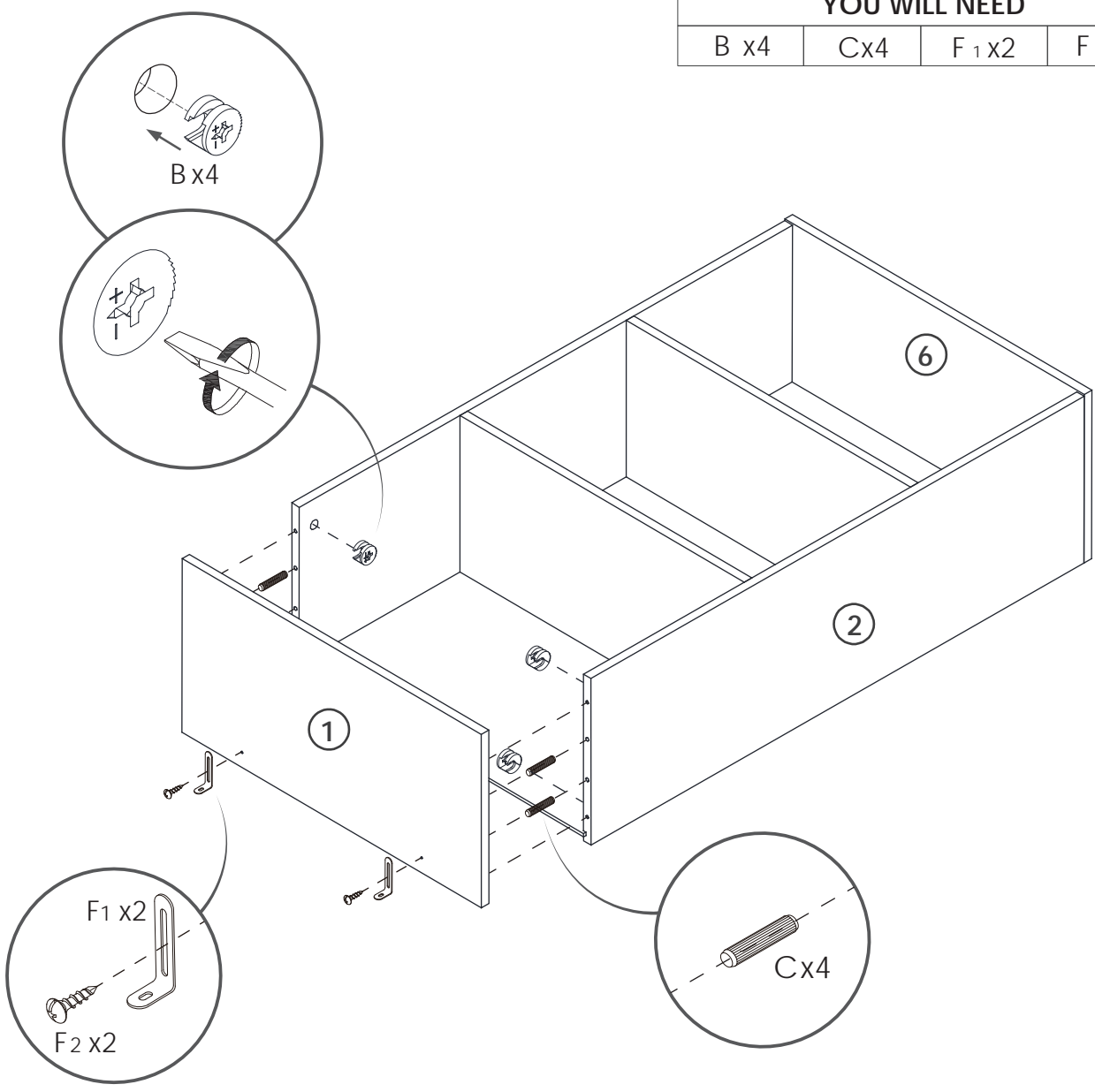
6



7

YOU WILL NEED

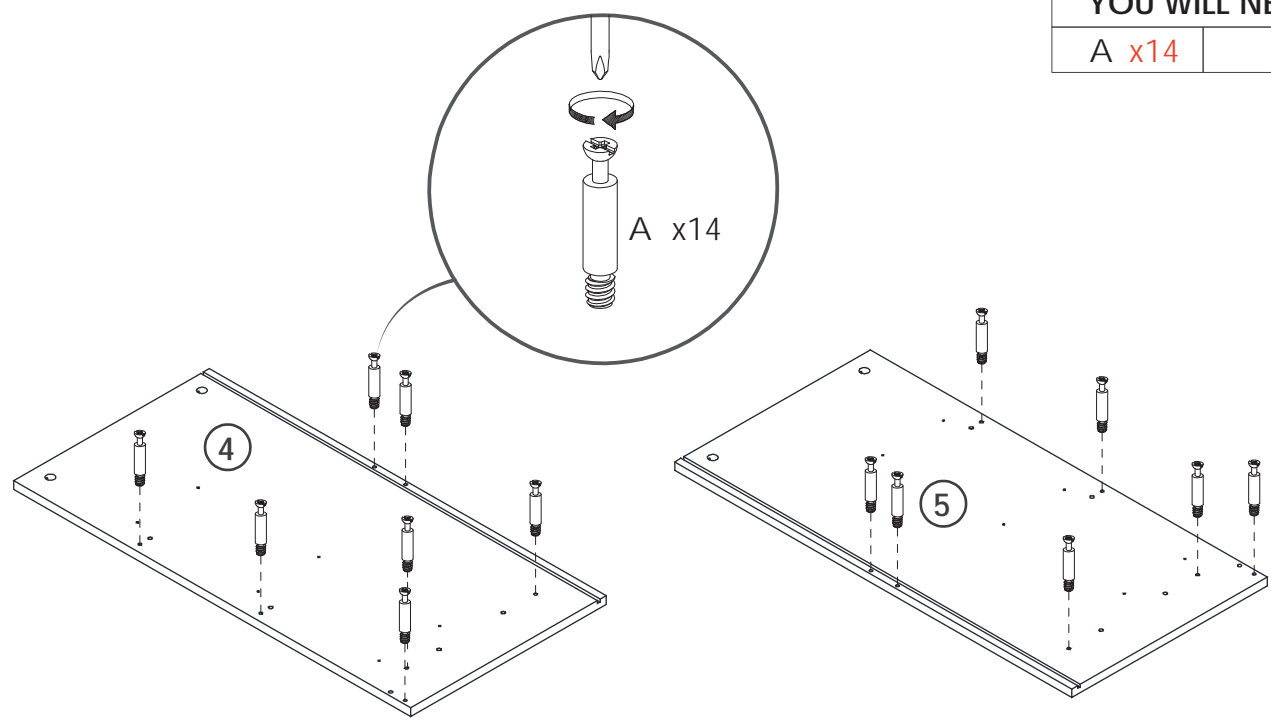
B x4	Cx4	F <sub>1</sub> x2	F <sub>2</sub> x2
------	-----	-------------------	-------------------

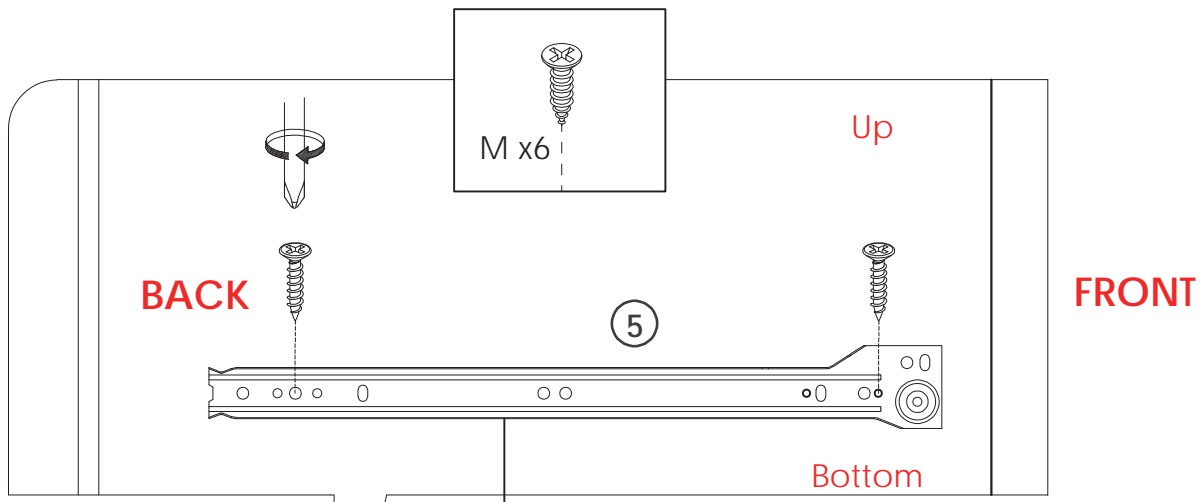


8

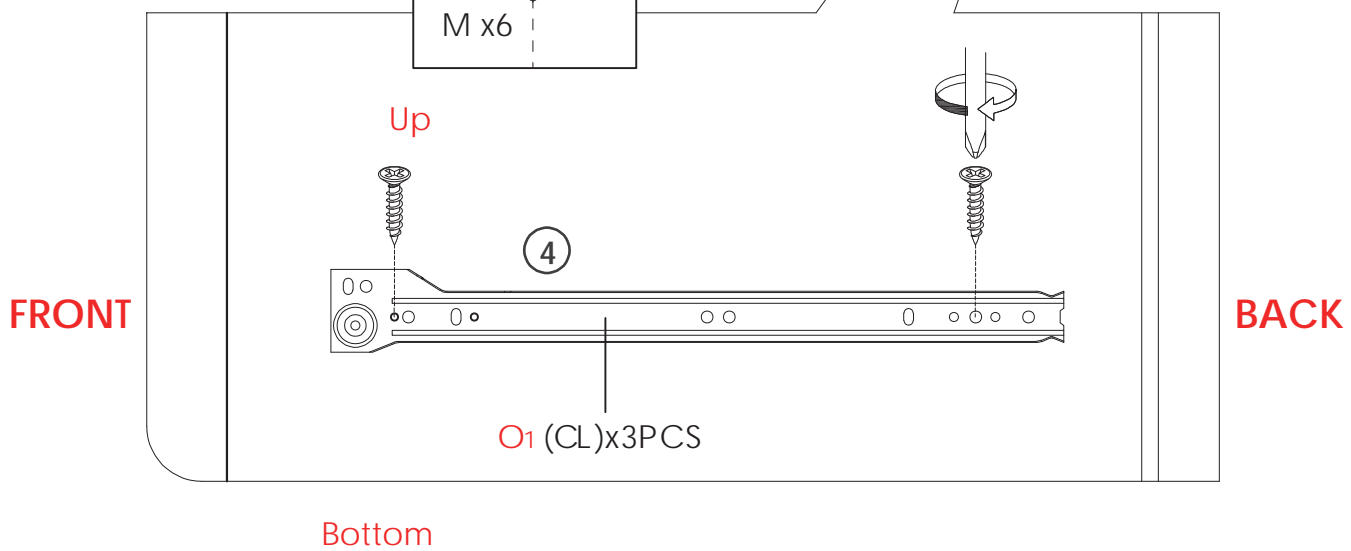
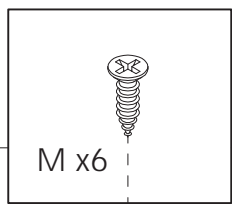
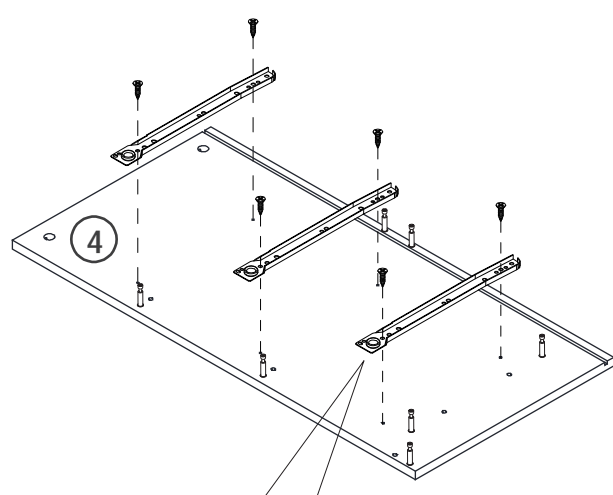
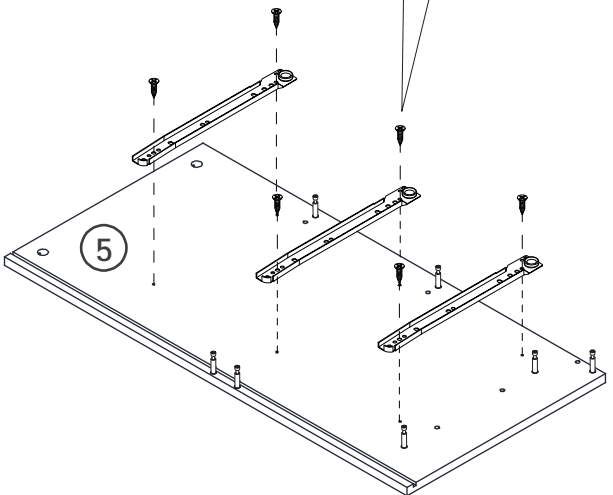
YOU WILL NEED

A x14	
-------	--





O<sub>2</sub> (CR)x3PCS



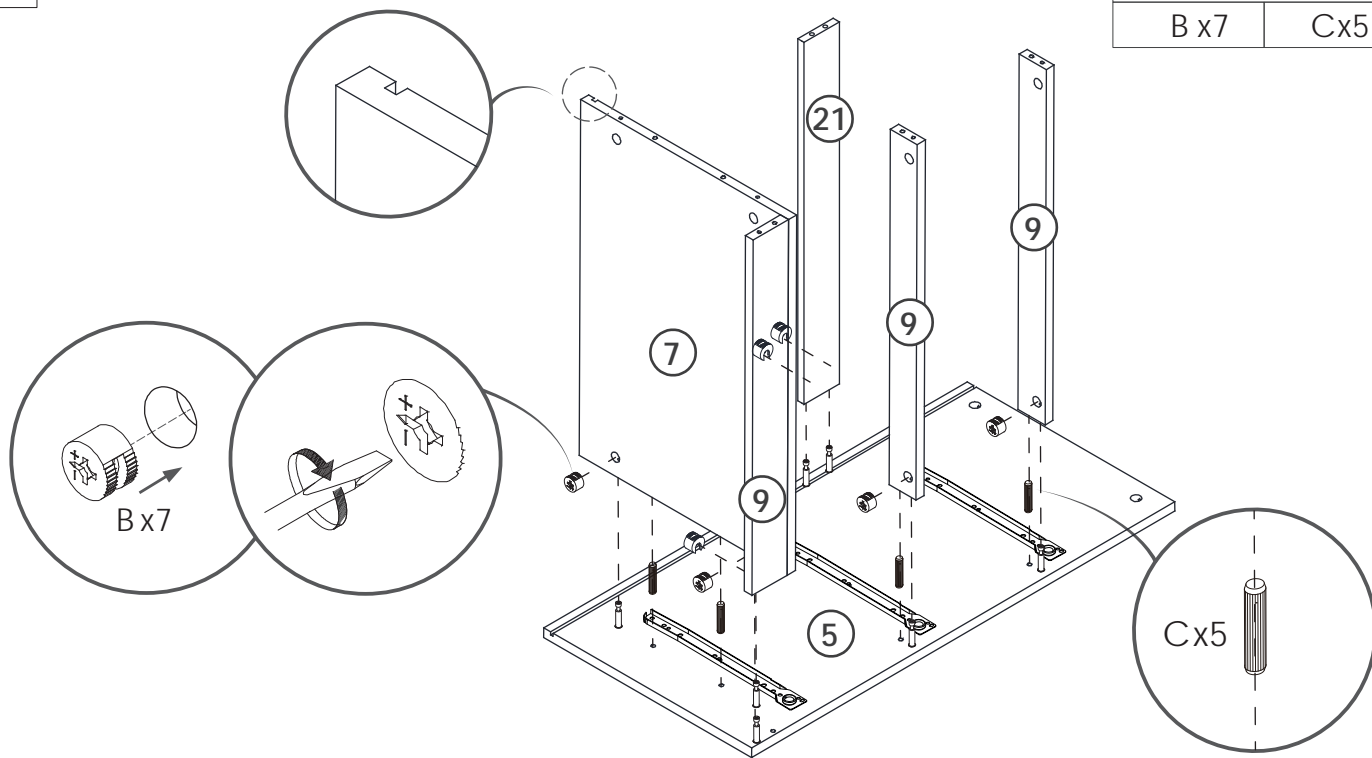
O<sub>1</sub> (CL)x3PCS

10

YOU WILL NEED

B x7

Cx5

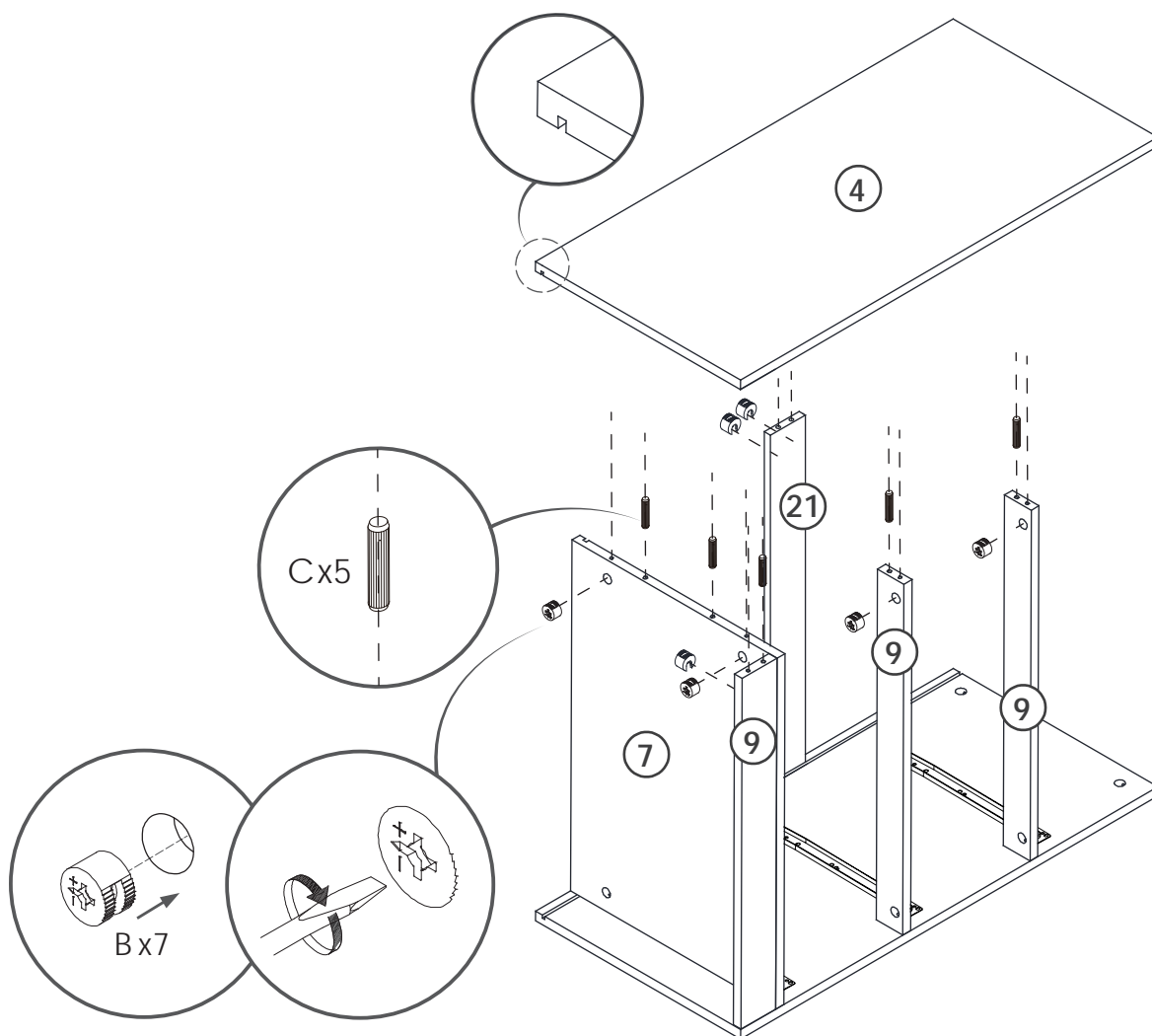


11

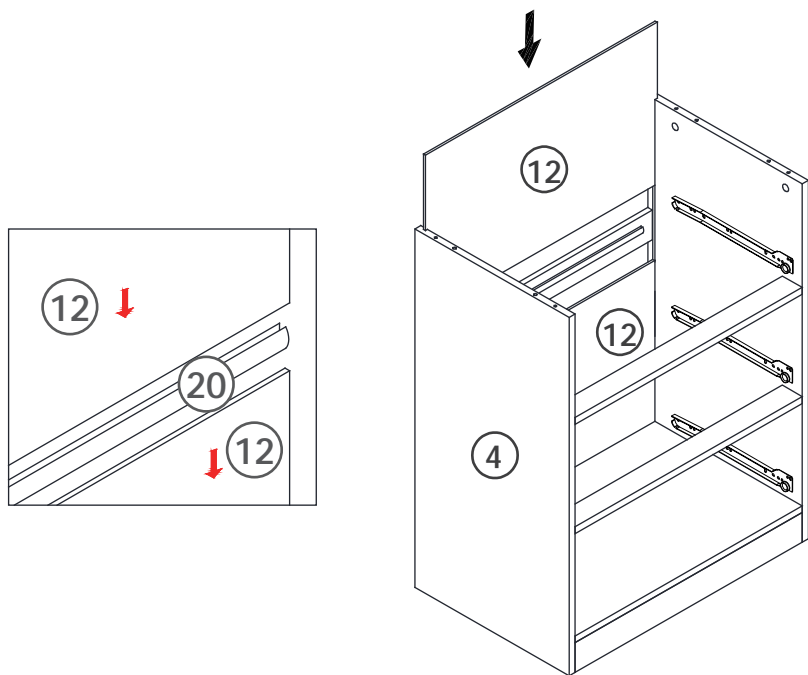
YOU WILL NEED

B x7

Cx5



12

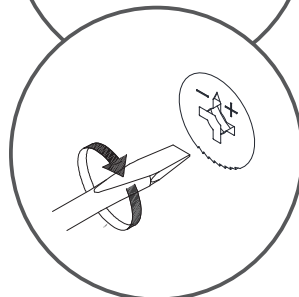
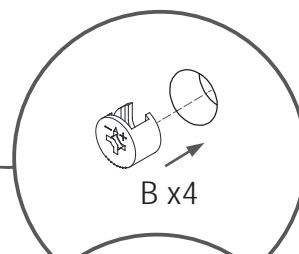
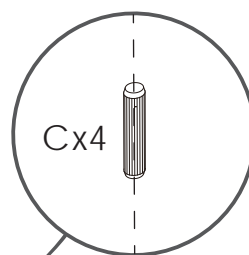
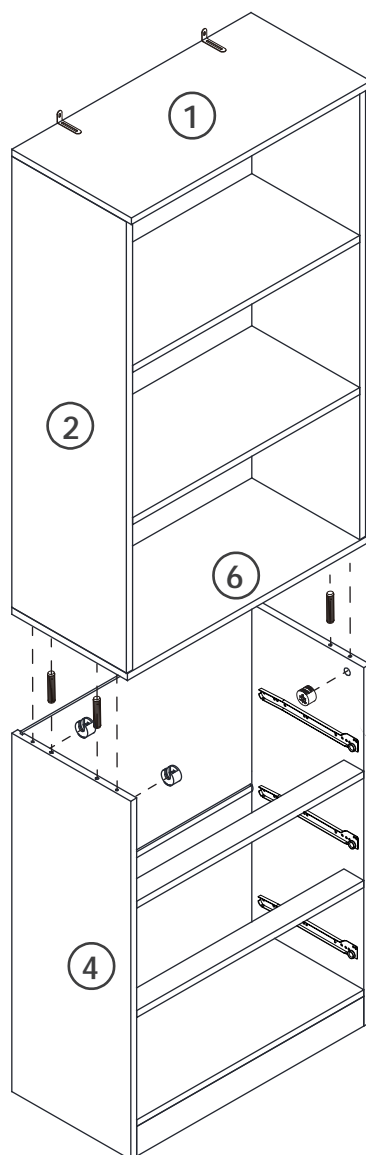


13

**YOU WILL NEED**

B x4

C x4

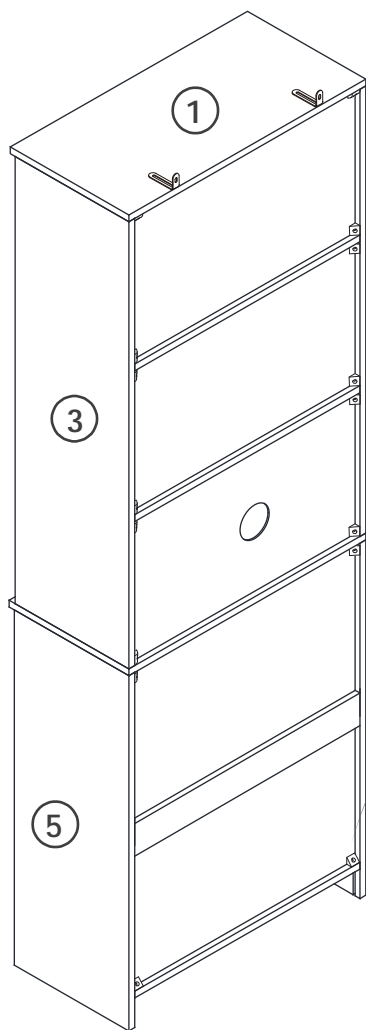


14

**YOU WILL NEED**

D x16

I x16

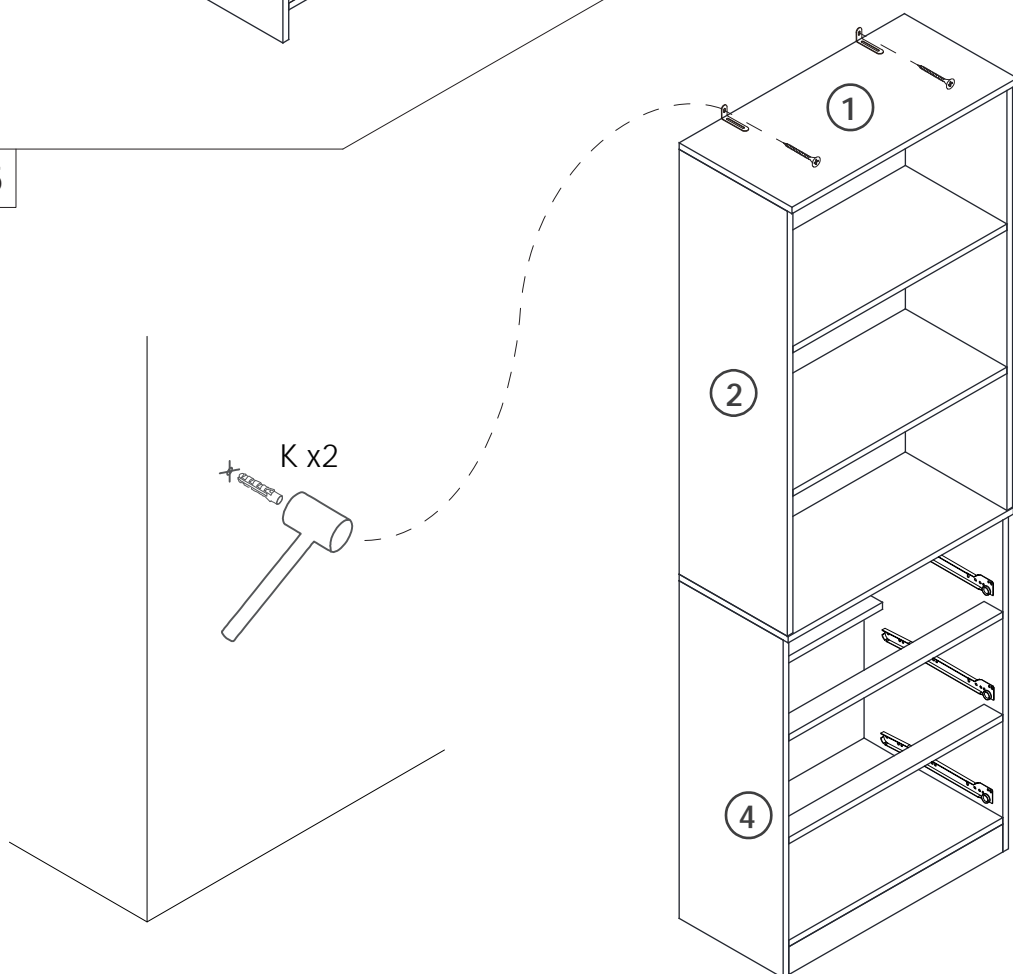


15

**YOU WILL NEED**

K x2

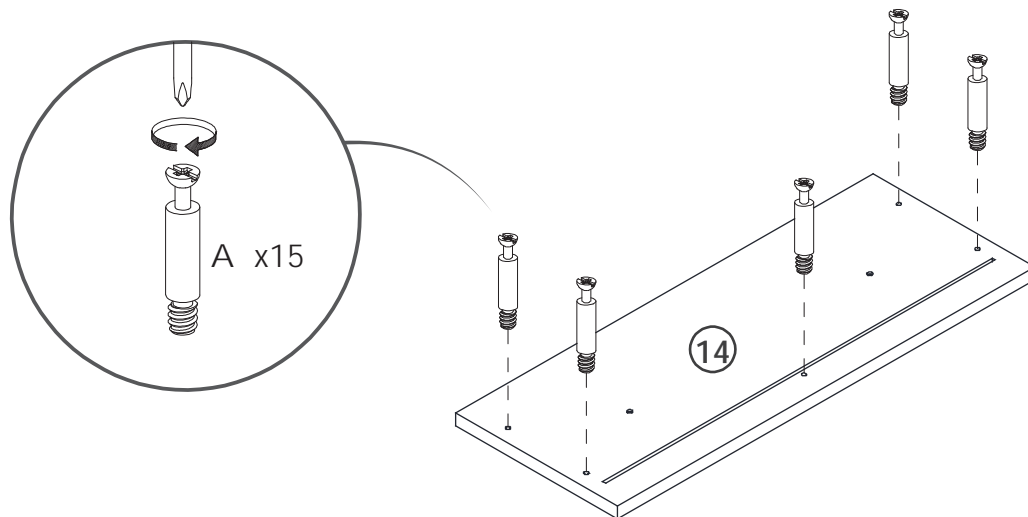
L x2



16

YOU WILL NEED

A x15

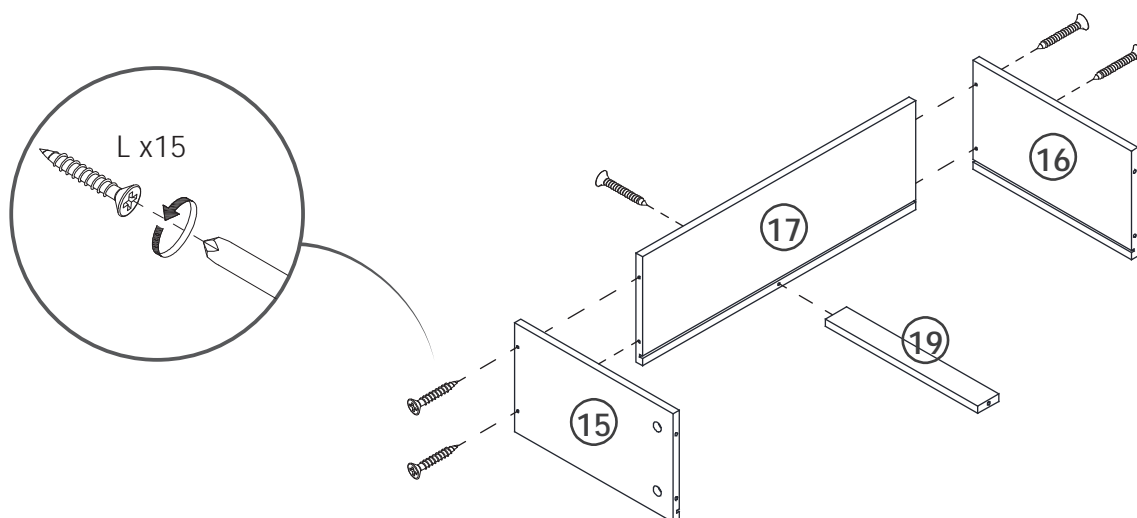


x3

17

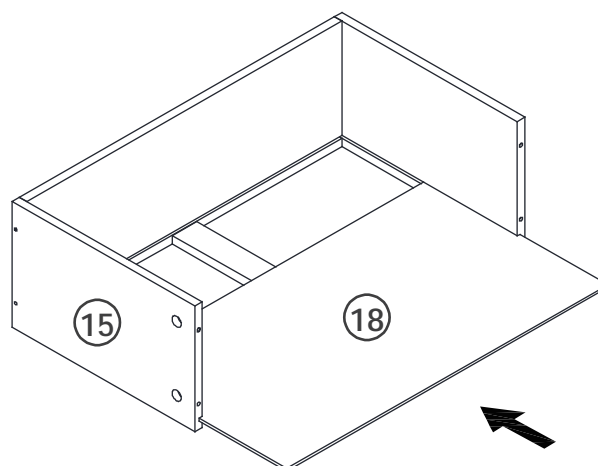
YOU WILL NEED

L x15



x3

18

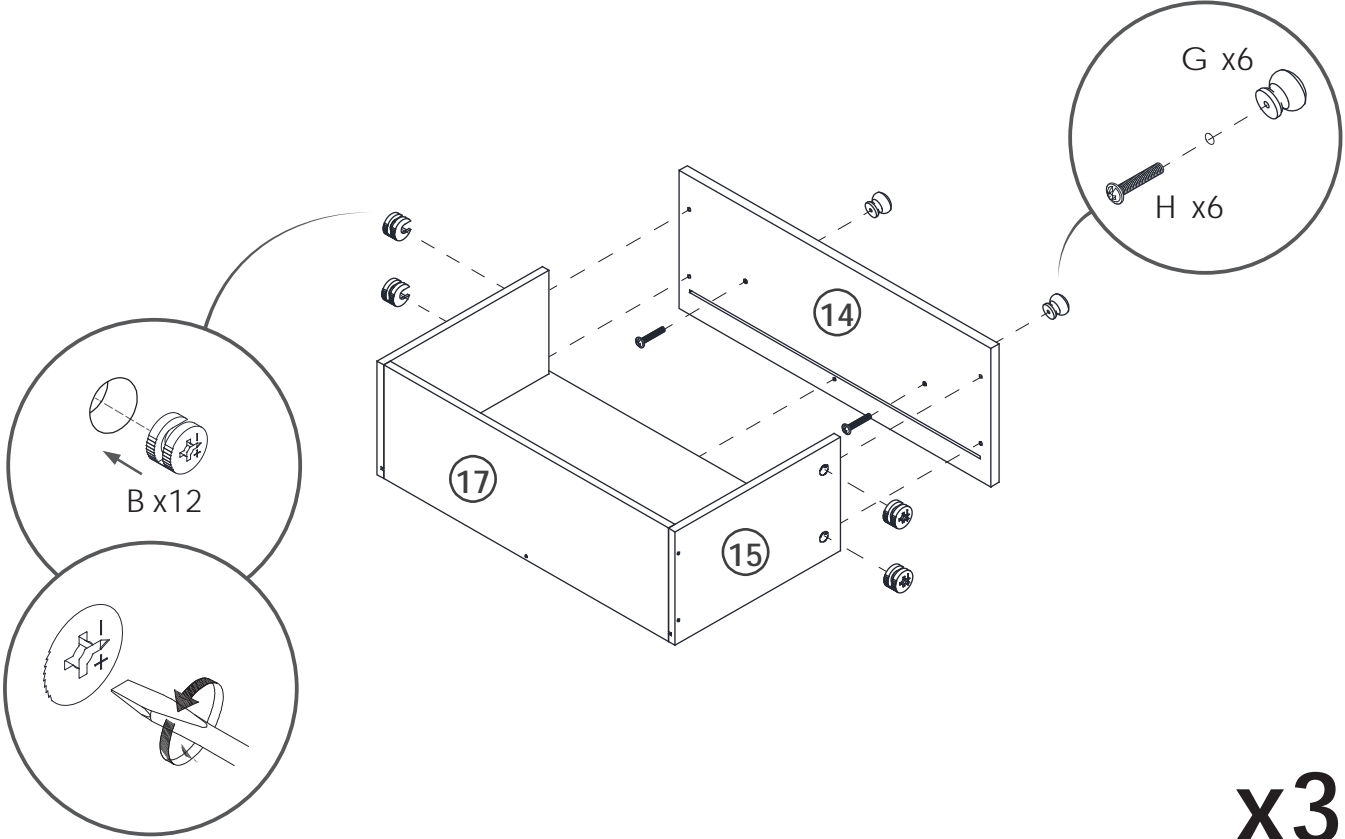


x3

19

YOU WILL NEED

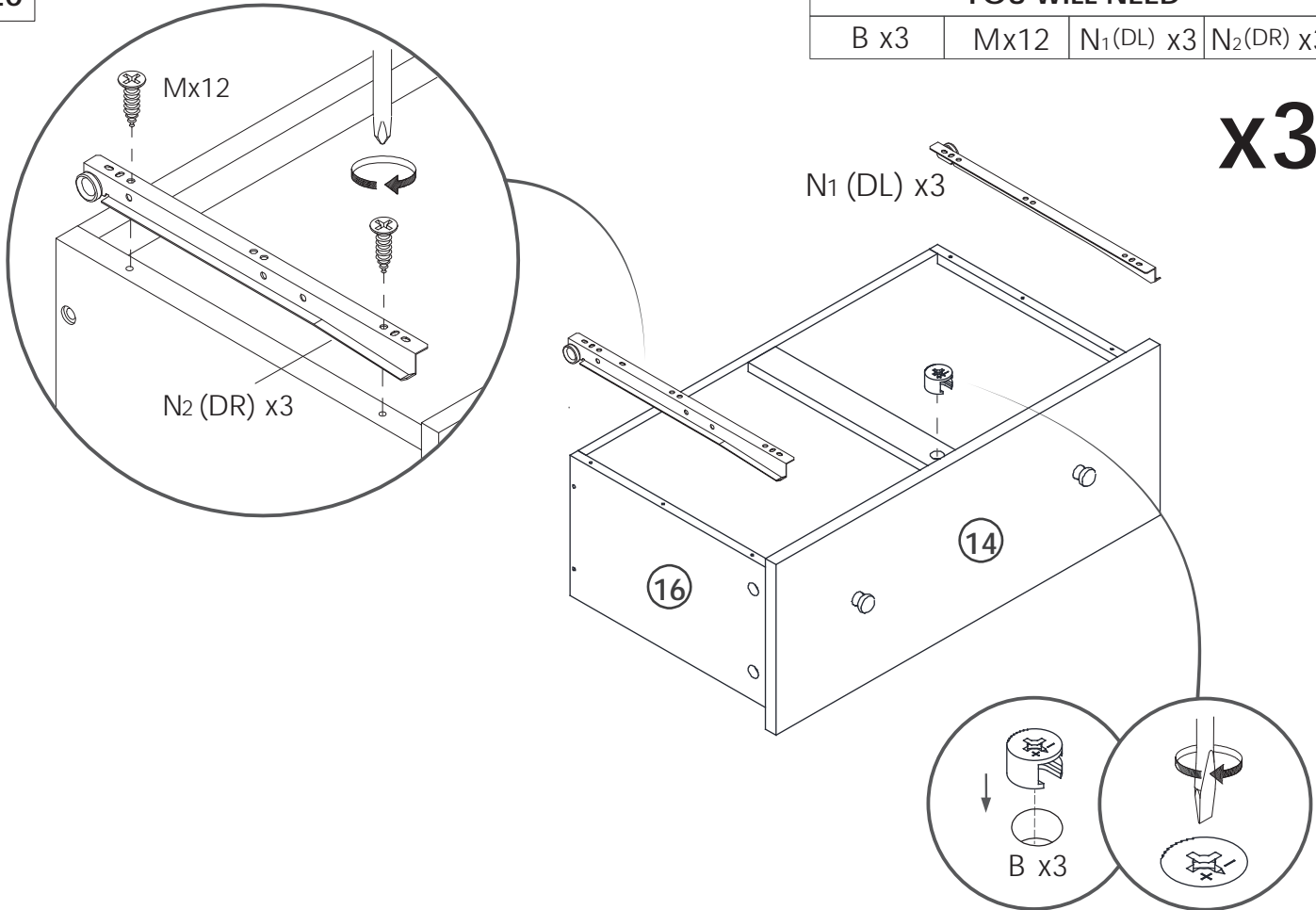
B x12	G x6	H x6
-------	------	------

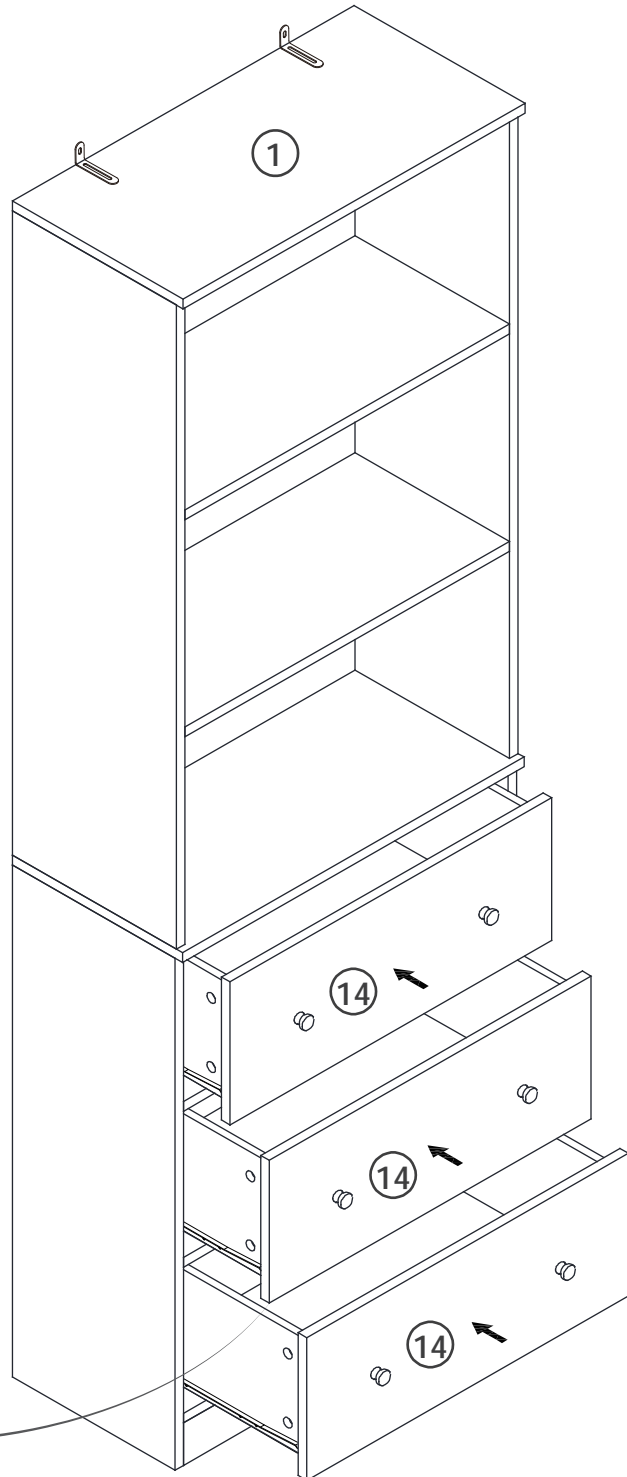
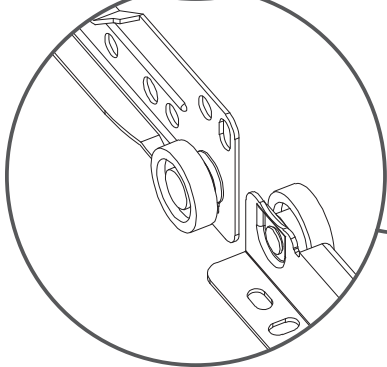
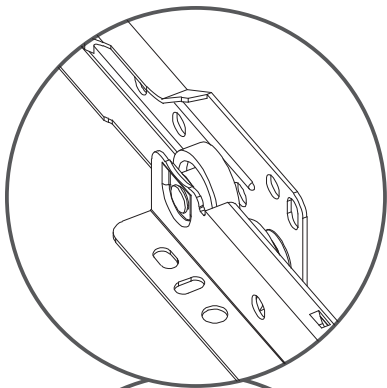
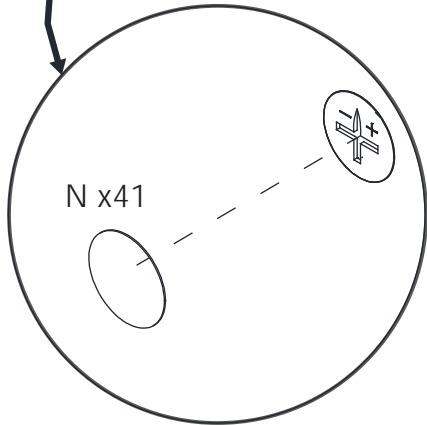
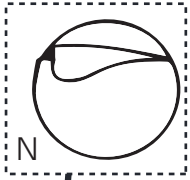


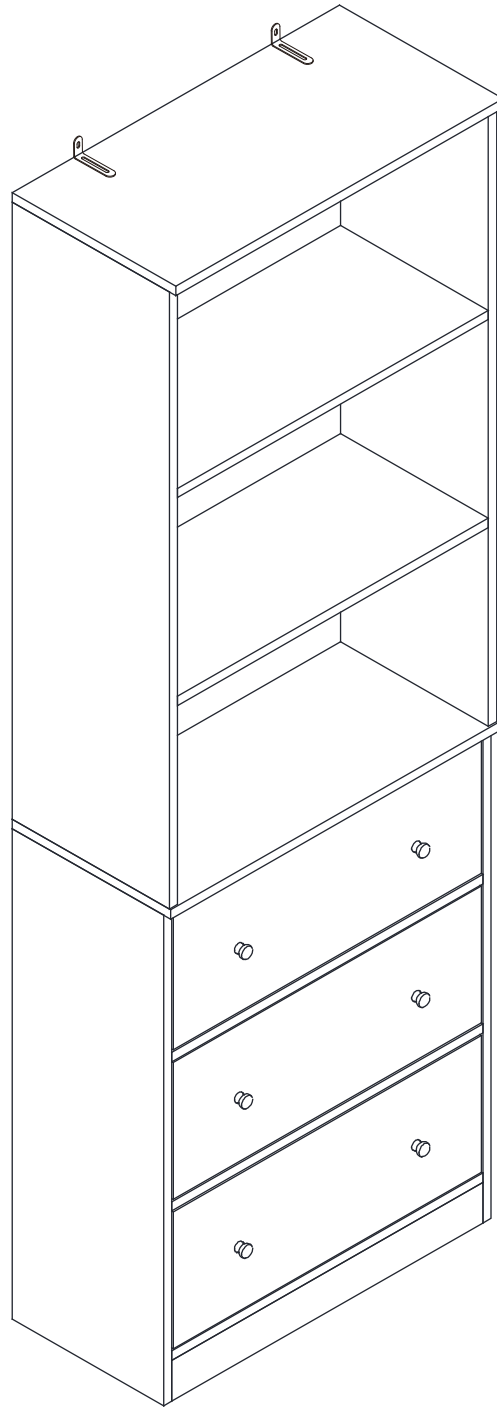
20

YOU WILL NEED

B x3	Mx12	N <sub>1</sub> (DL) x3	N <sub>2</sub> (DR) x3
------	------	------------------------	------------------------







## GUARANTEE

Storage Cabinet offers a **90-days** warranty that begins on the date of the original purchase and applies to problems caused by the manufacturer. For questions, assistance, or support, please contact the Customer Service by e-mail with your order number and details. We will send you further information about the solution.