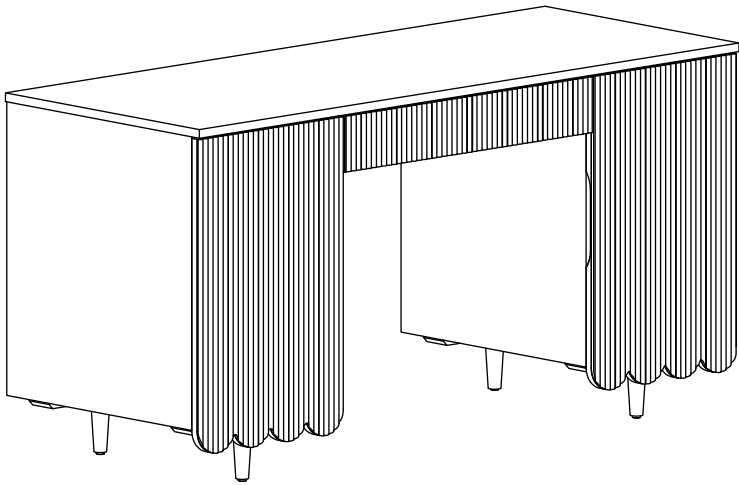


KRISTY FLUTED WOOD DESK

DESIGN #SFV4251

Assembly Instructions



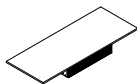
SAFAVIEH
C O U T U R E

Thanks for bringing Safavieh Couture into your home

Everything we make is incredibly simple to set up, including your new desk. You won't need any additional tools.

Parts List

A x 1
TABLE TOP



B x 1
LEFT BASE



C x 1
RIGHT BASE

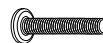


D x 4
LEGS



Hardware List

HW1 x 14
Bolt M6x30mm



HW2 x 14
Flat Washer 6x14mm



HW3 x 14
Spring washer 6x10mm

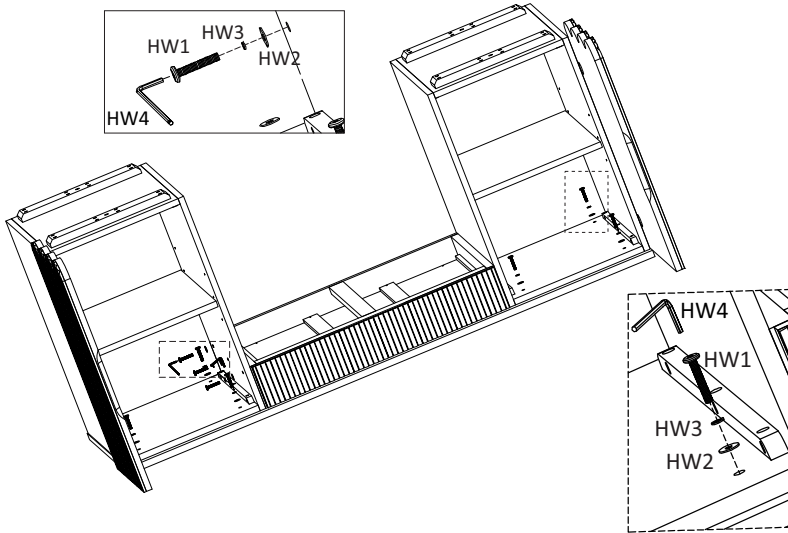


HW4 x 1
Allen key



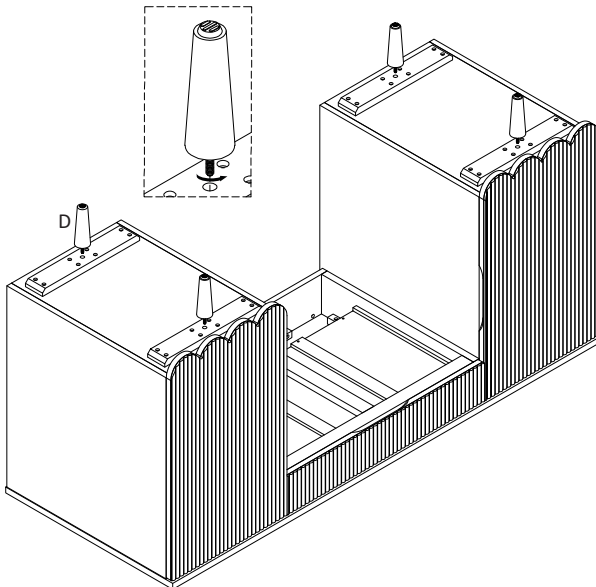
1

Place the Spring washers (HW3) and Flat washers (HW2) on the Bolts (HW1). Align the screw holes on the Table top (A) to the screw holes on the 2 Bases (B&C). Attach them by using the Allen key (HW4) to screw in the Bolts (HW1) with the washers.



2

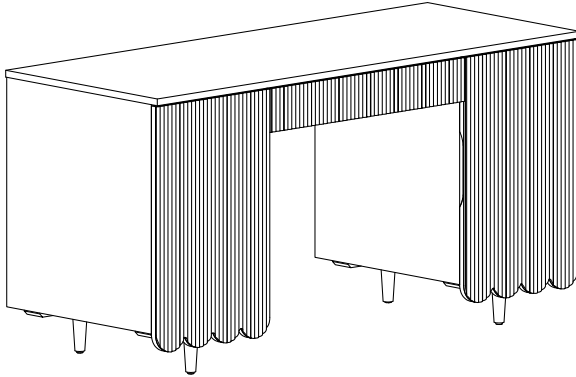
Attach the Leg (D) to the base by turning the bolt on the leg into the hole as shown.



3

Place the desk in the place where you will use it. We'd love to see it – just tag us (we're @safavieh) and use the hashtag #safavieh on Instagram!

@safavieh



Need help?

Feel free to contact us via email or call
if you have any specific questions!

contact us:

cs@safavieh.com

866-422-9070