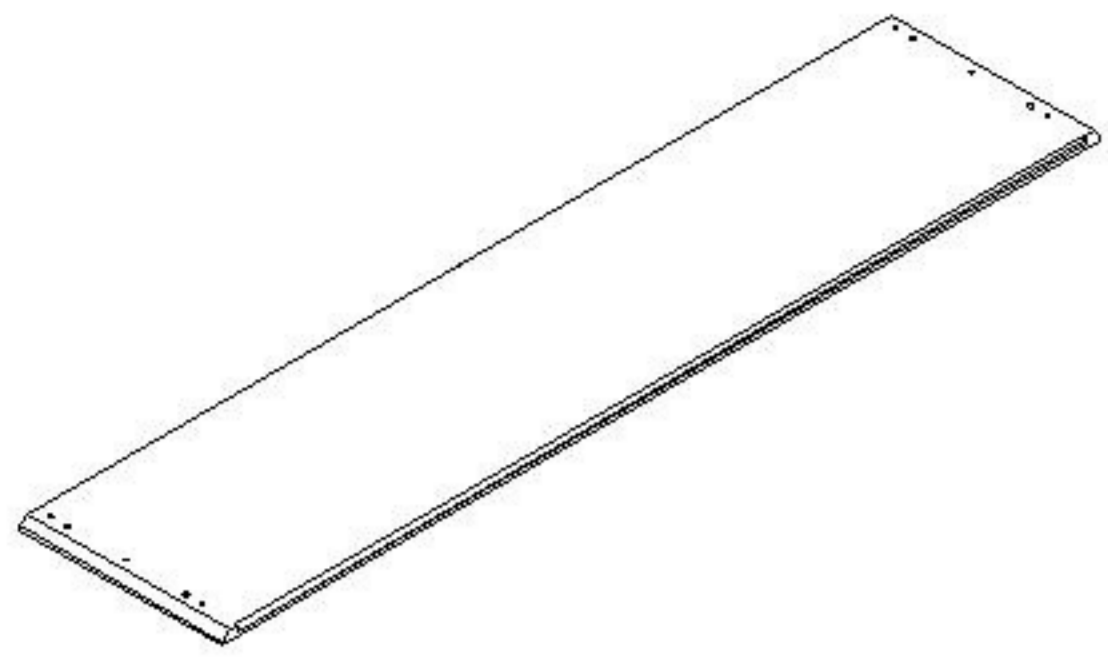
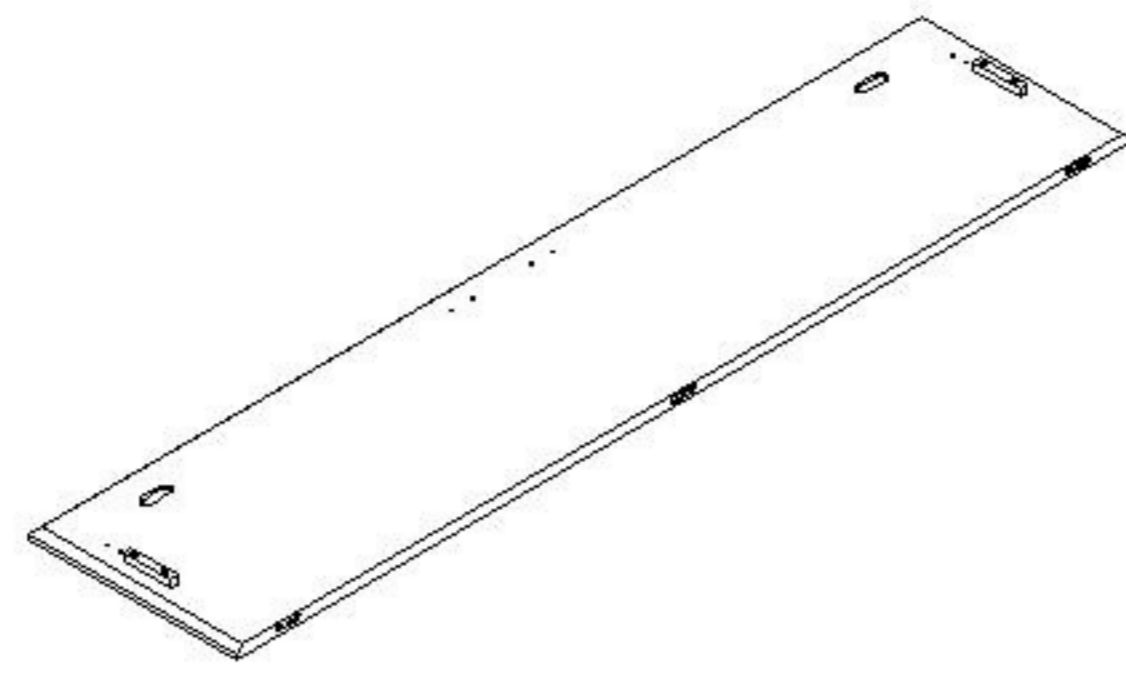


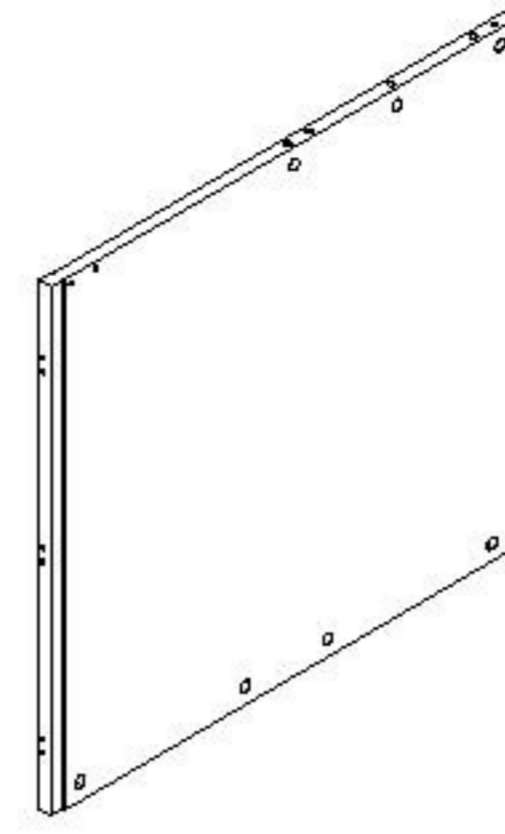
PANELS PART



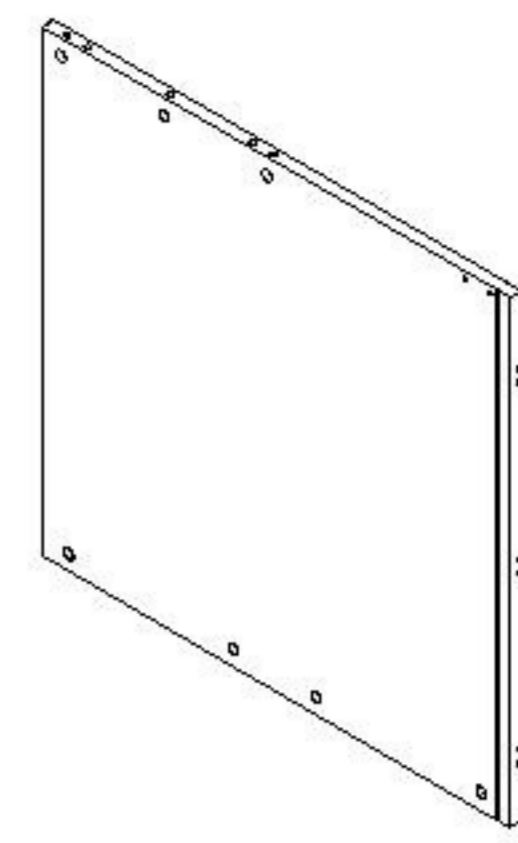
NAME: BACK TOP PANEL
CODE: 1
QTY: 1Pc



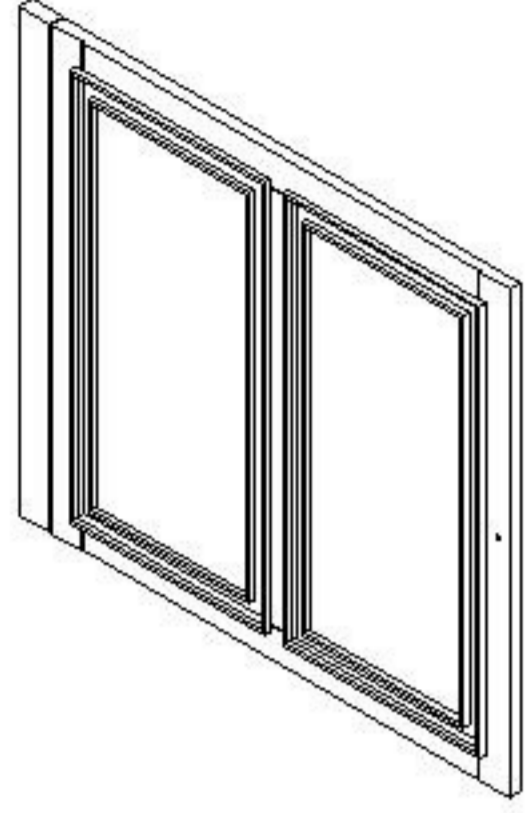
NAME: FRONT TOP PANEL
CODE: 2
QTY: 1Pc



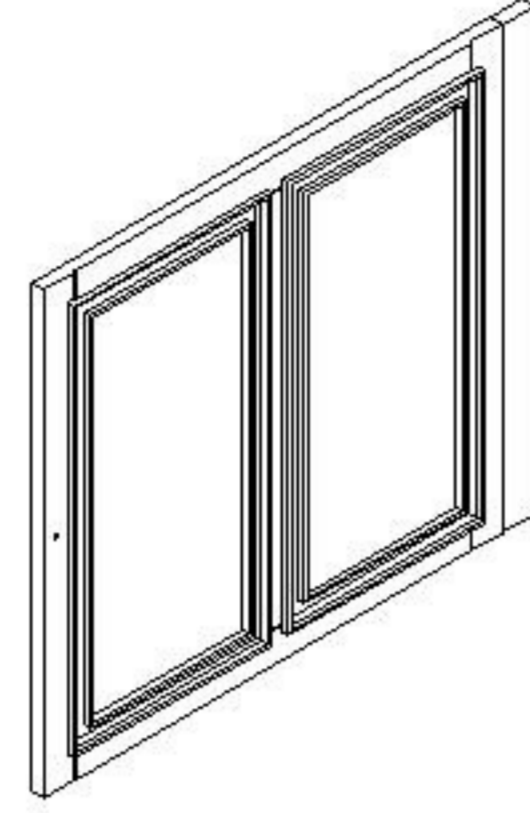
NAME: SIDE PANEL(LEFT)
CODE: 3
QTY: 1Pc



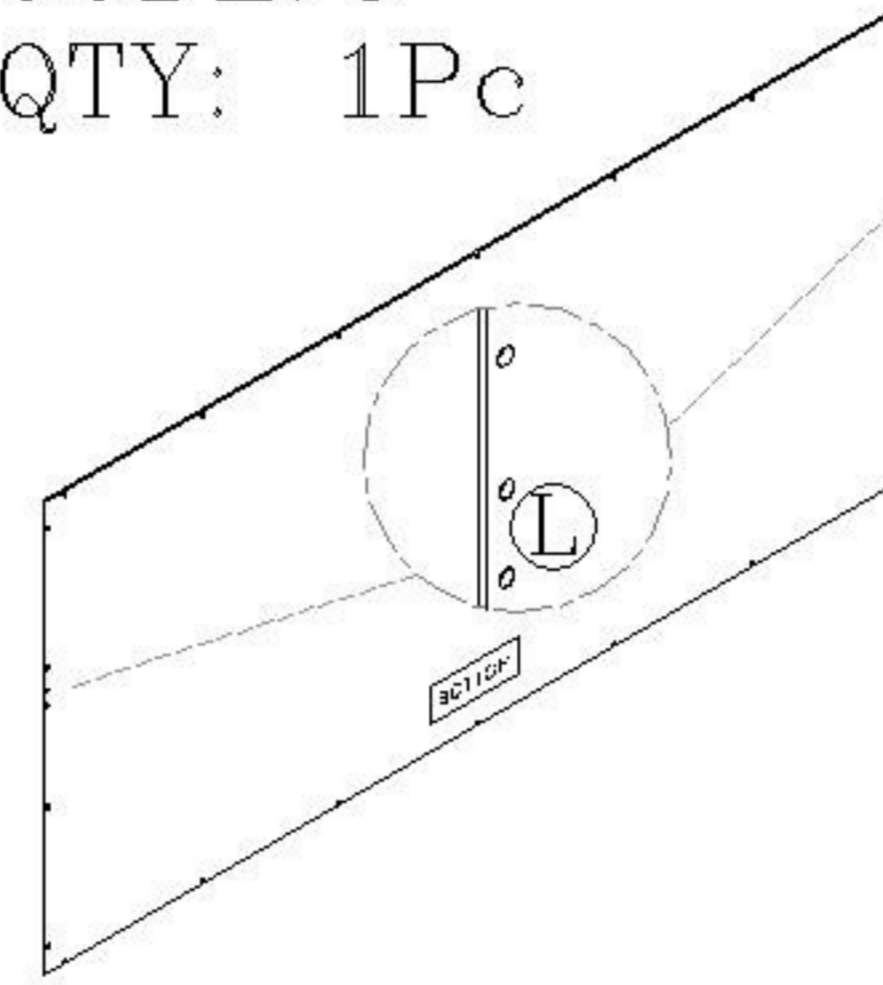
NAME: SIDE PANEL(RIGHT)
CODE: 4



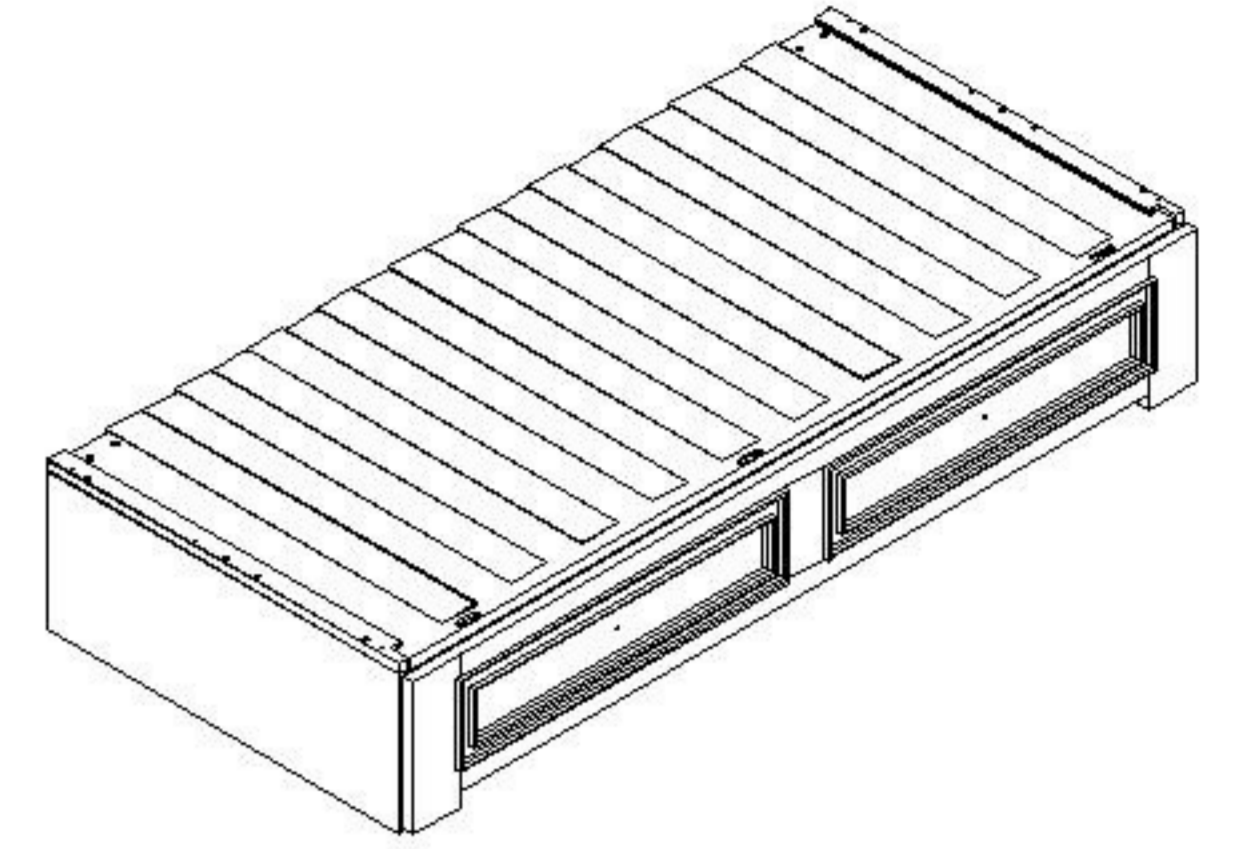
NAME: DOOR (LEFT)
CODE: 5
QTY: 1Pc



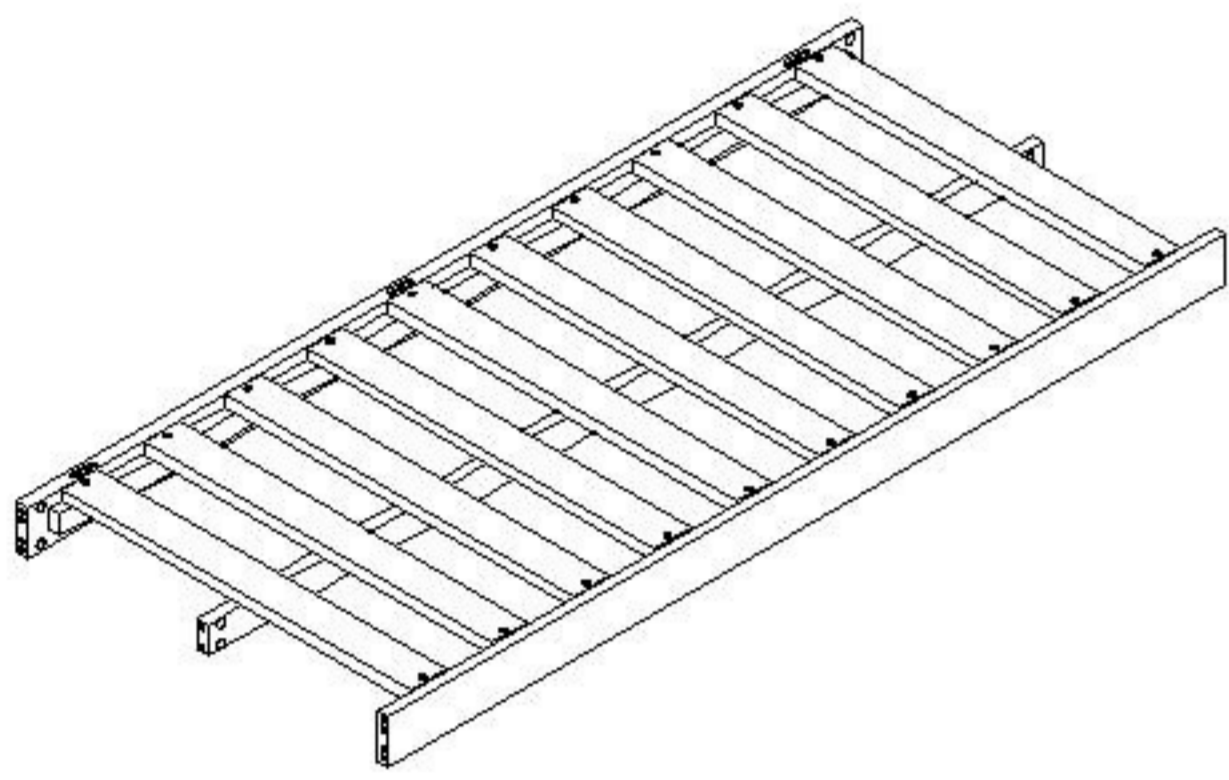
NAME: DOOR (RIGHT)
CODE: 6
QTY: 1Pc



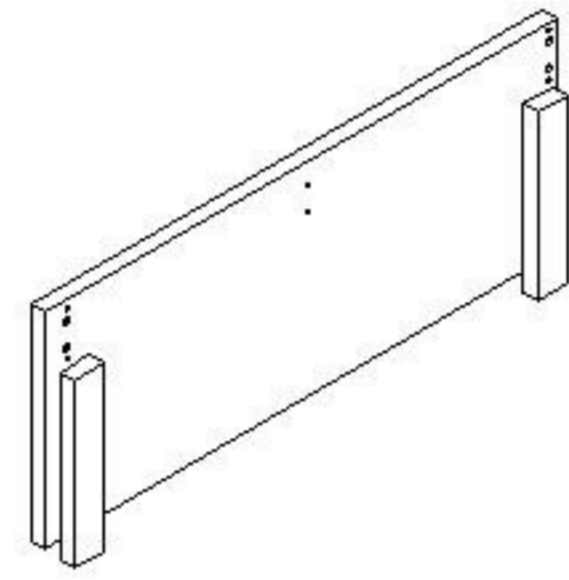
NAME: BACK PLY
CODE: 7
QTY: 1Pc



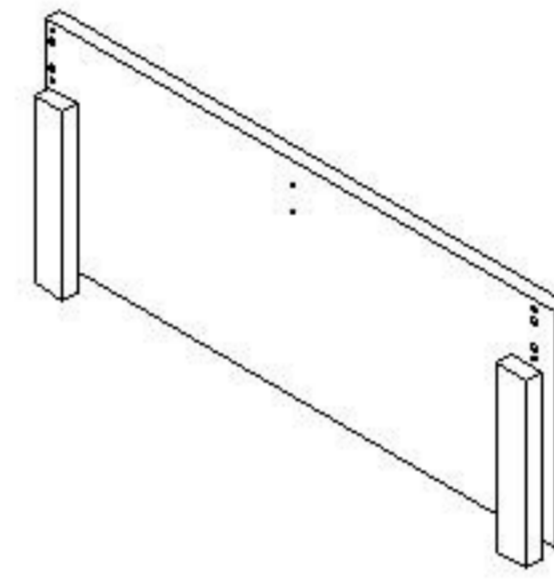
NAME: FRAME&DRAWER BOX
CODE: 8
QTY: 1Pc



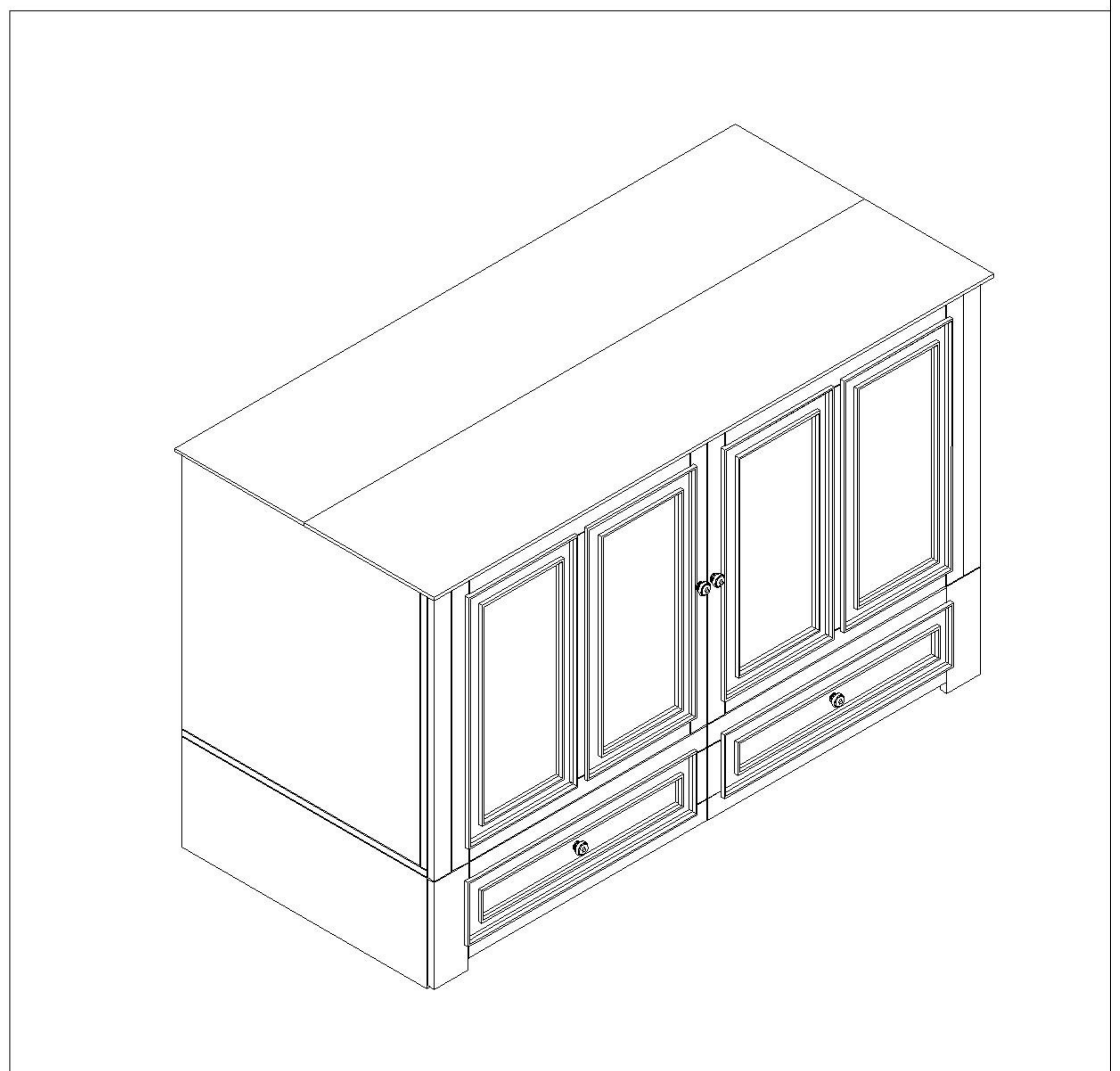
NAME: SLAT FRAME
CODE: 9
QTY: 1Pc



NAME: SMALL SIDE PANEL(LEFT)
CODE: 10
QTY: 1Pc



NAME: SMALL SIDE PANEL(RIGHT)
CODE: 11
QTY: 1Pc

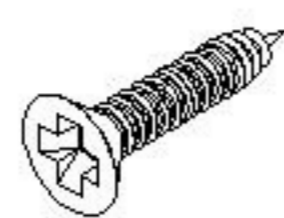


-THE UNIT SHOULD BE ASSEMBLED BY 2 OR MORE PEOPLE
-EXTRA HARDWARE INCLUDED

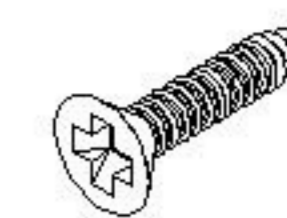
HARDWARE LIST



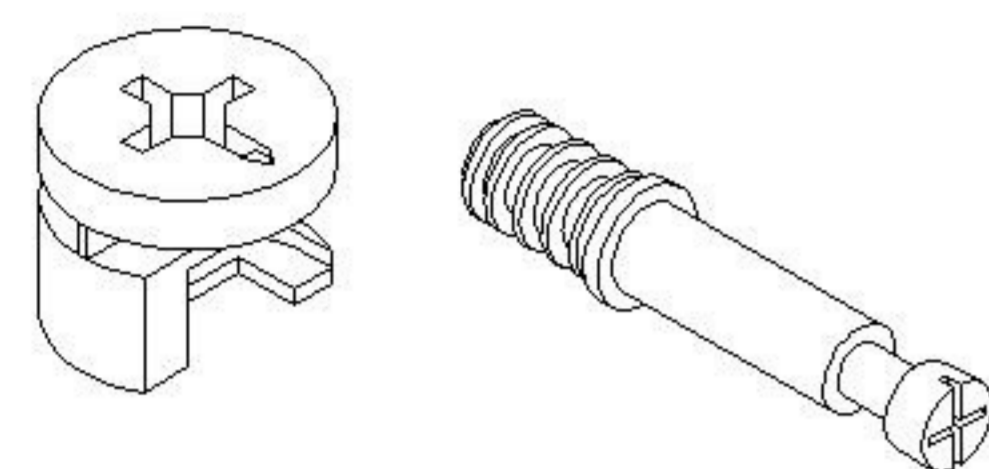
NAME: HANDLE
CODE: A
QTY: 4Pcs



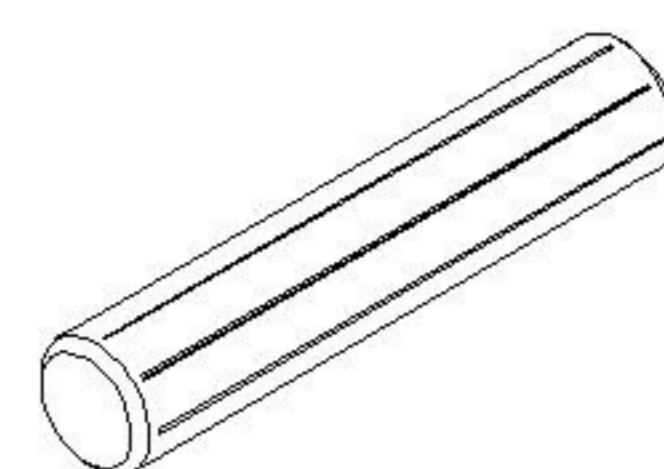
NAME: CHIPBOARD SCREW 4X16mm
CODE: B
QTY: 24Pcs



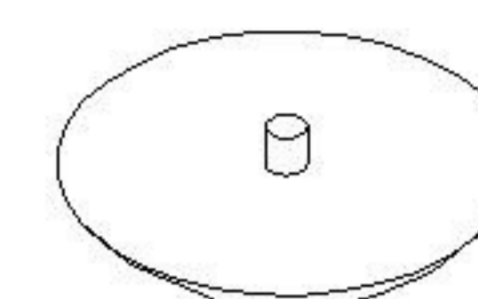
NAME: CHIPBOARD SCREW M3X16mm
CODE: C
QTY: 40Pcs



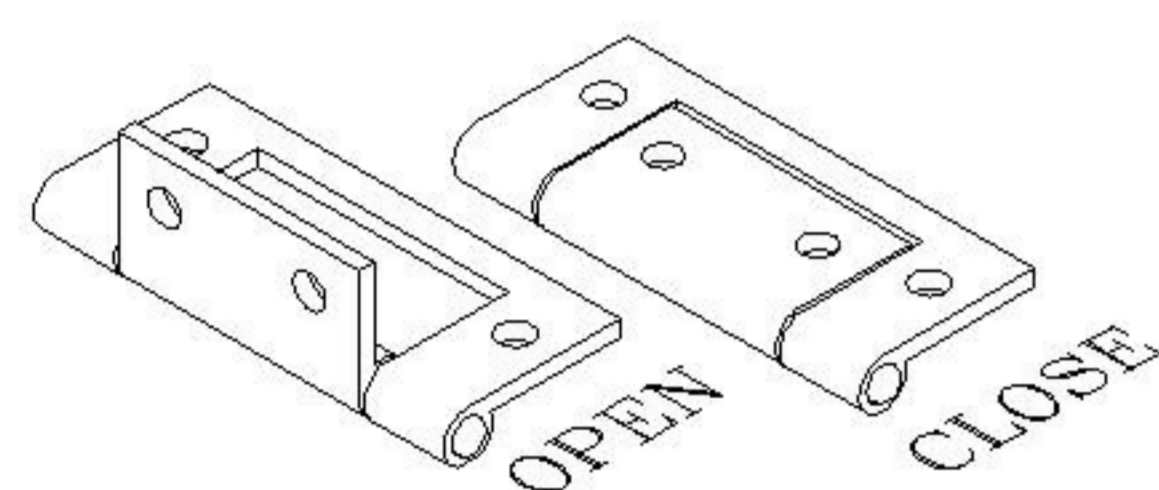
NAME: CAM LOCK & CAM BOLT
CODE: D
QTY: 26Sets



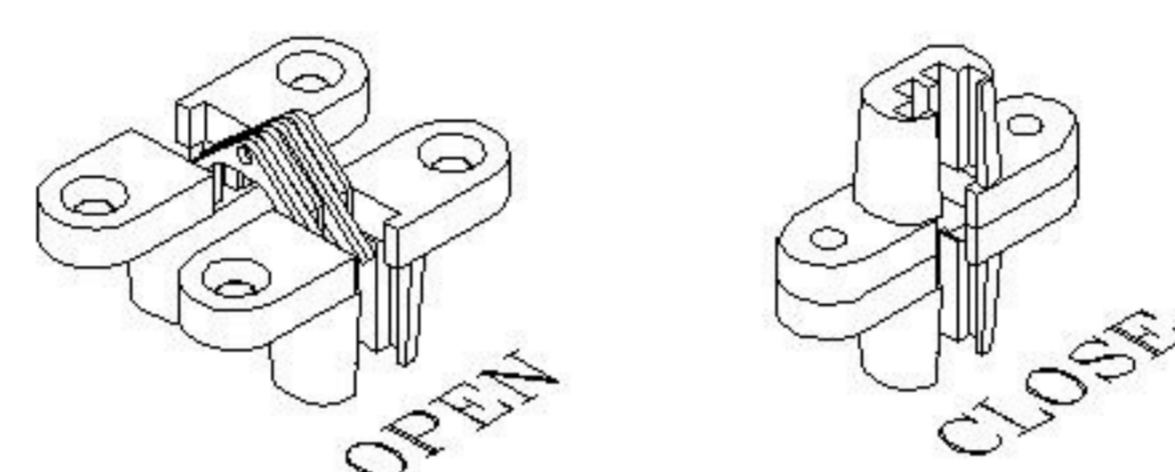
NAME: WOOD DOWEL M8X35mm
CODE: E
QTY: 18Pcs



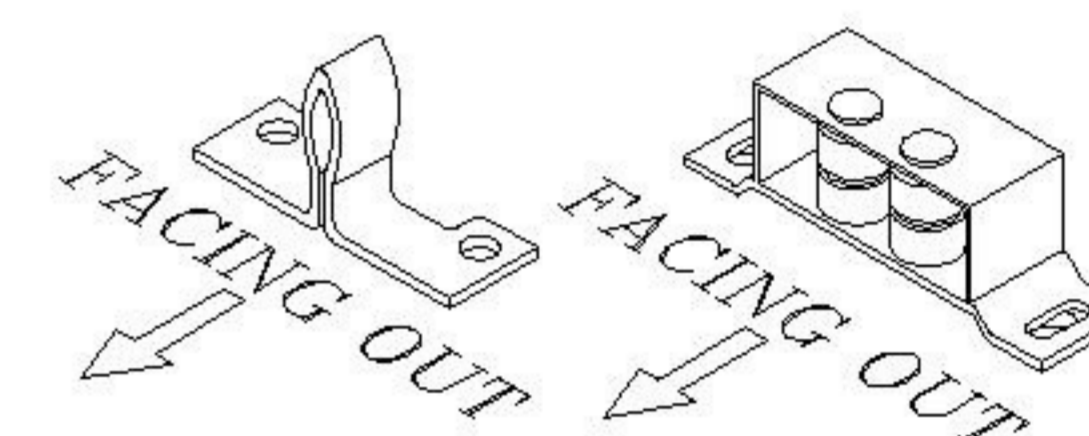
NAME: CAM LOCK COVER
CODE: F
QTY: 26Pcs



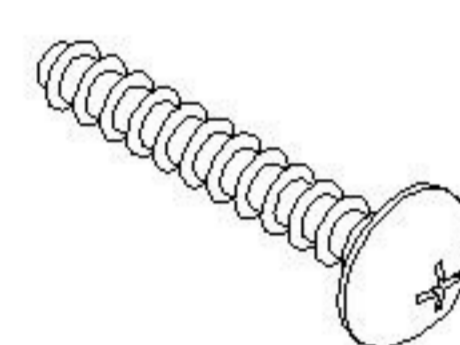
NAME: HINGES (H-19)
CODE: G
QTY: 6Pcs



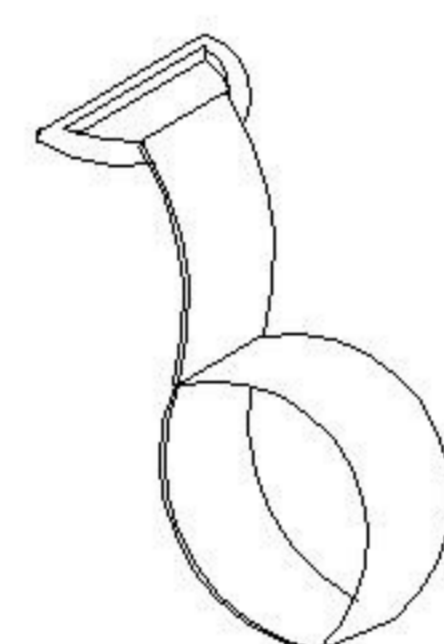
NAME: HINGES (H-61)
CODE: H
QTY: 6Pcs



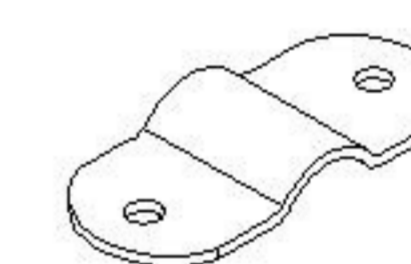
NAME: MAGNET CATCH
CODE: I
QTY: 4Pcs/6Pcs



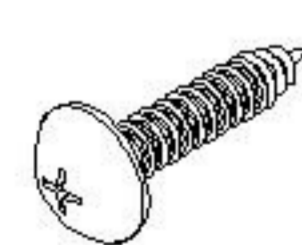
NAME: PANHEAD SCREW M4X30mm
CODE: J
QTY: 4Pcs



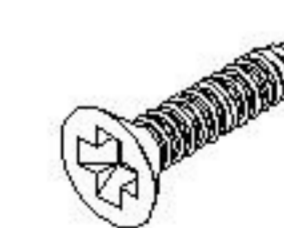
NAME: BELT
CODE: K
QTY: 2Pcs



NAME: BELT PLATE
CODE: L
QTY: 2Pcs

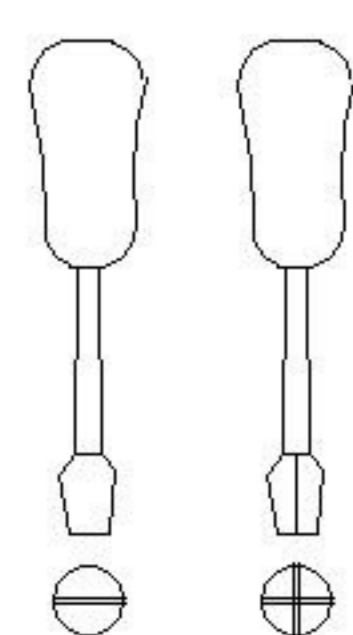


NAME: PANHEAD CHIPBOARD SCREW M4X16mm(BLACK)
CODE: M
QTY: 22Pcs

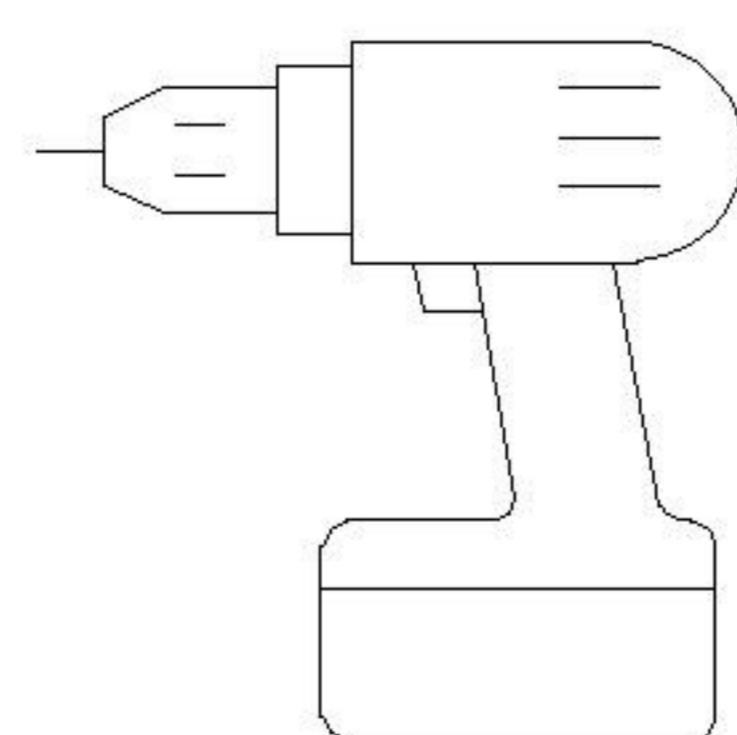


NAME: CHIPBOARD SCREW M3X20mm
CODE: N
QTY: 12Pcs

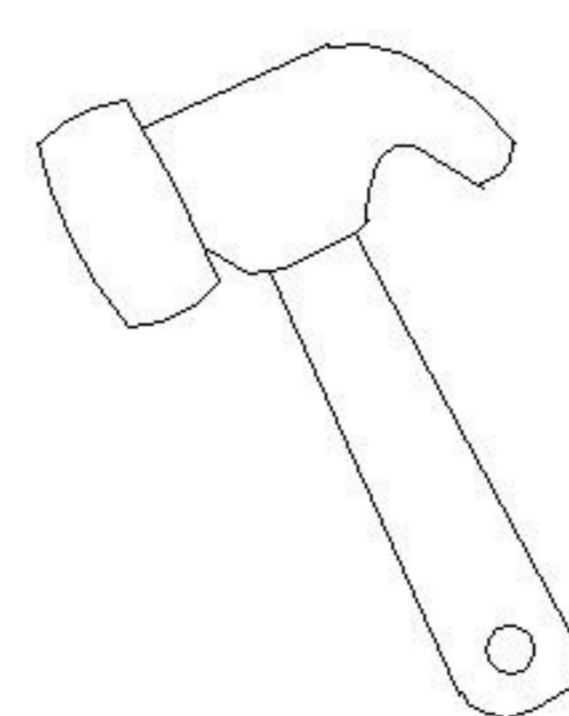
TOOL IST



NAME: SCREW DRIVER



NAME: BATTERY GUN

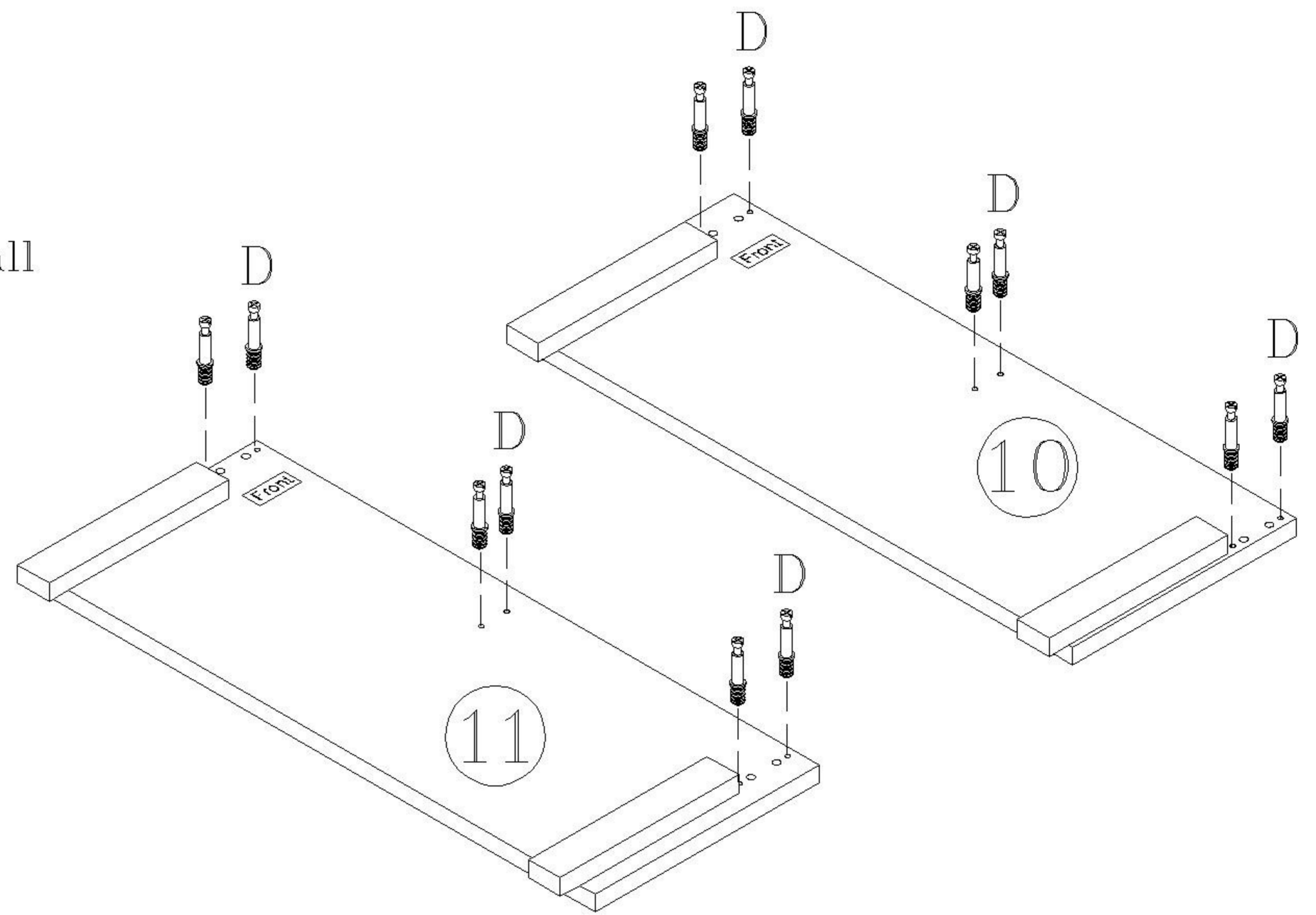


NAME: HAMMER

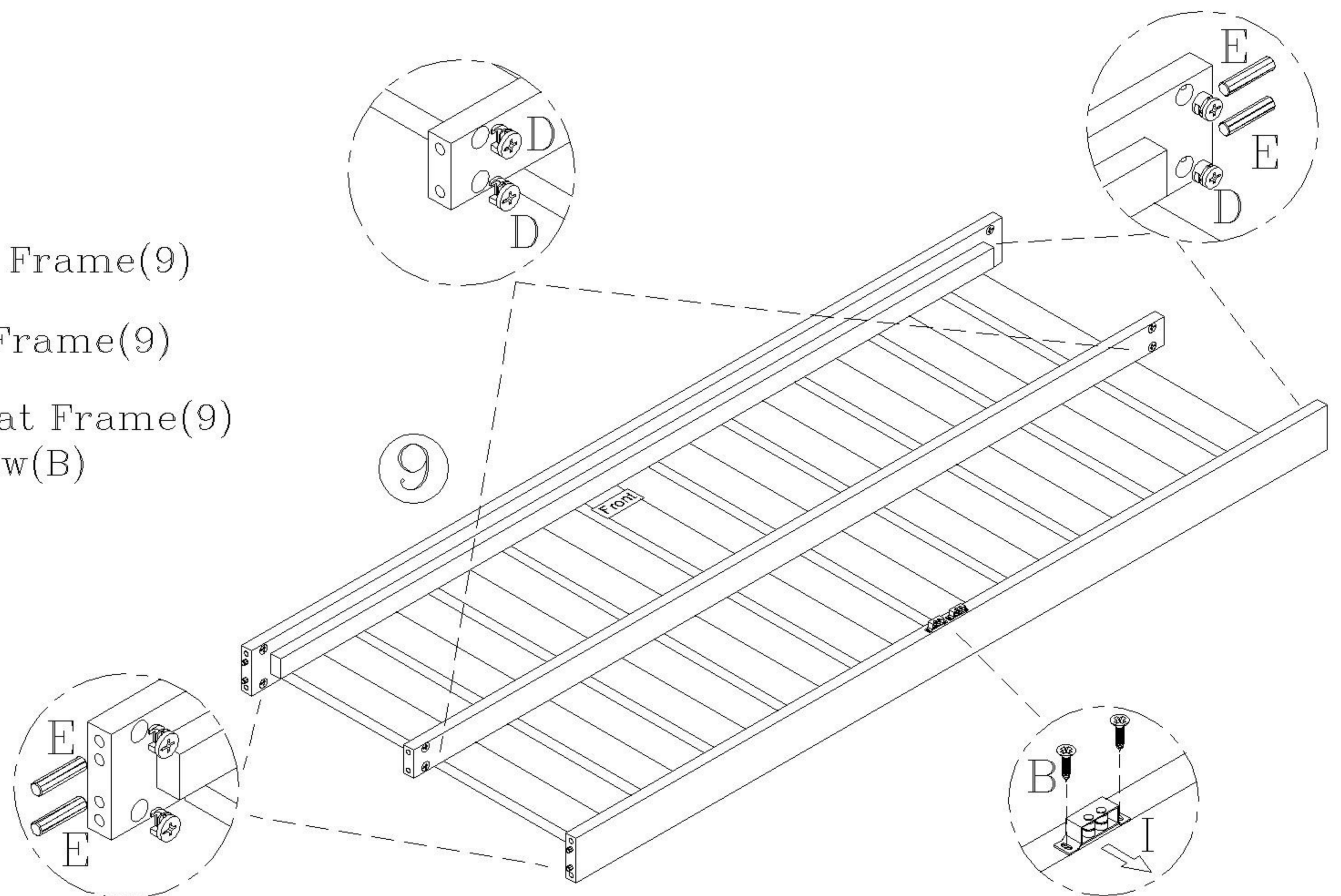
STEP 1

- A) Insert & secure Cam Bolt(D) to Small Left&Right Side Panel(10&11)

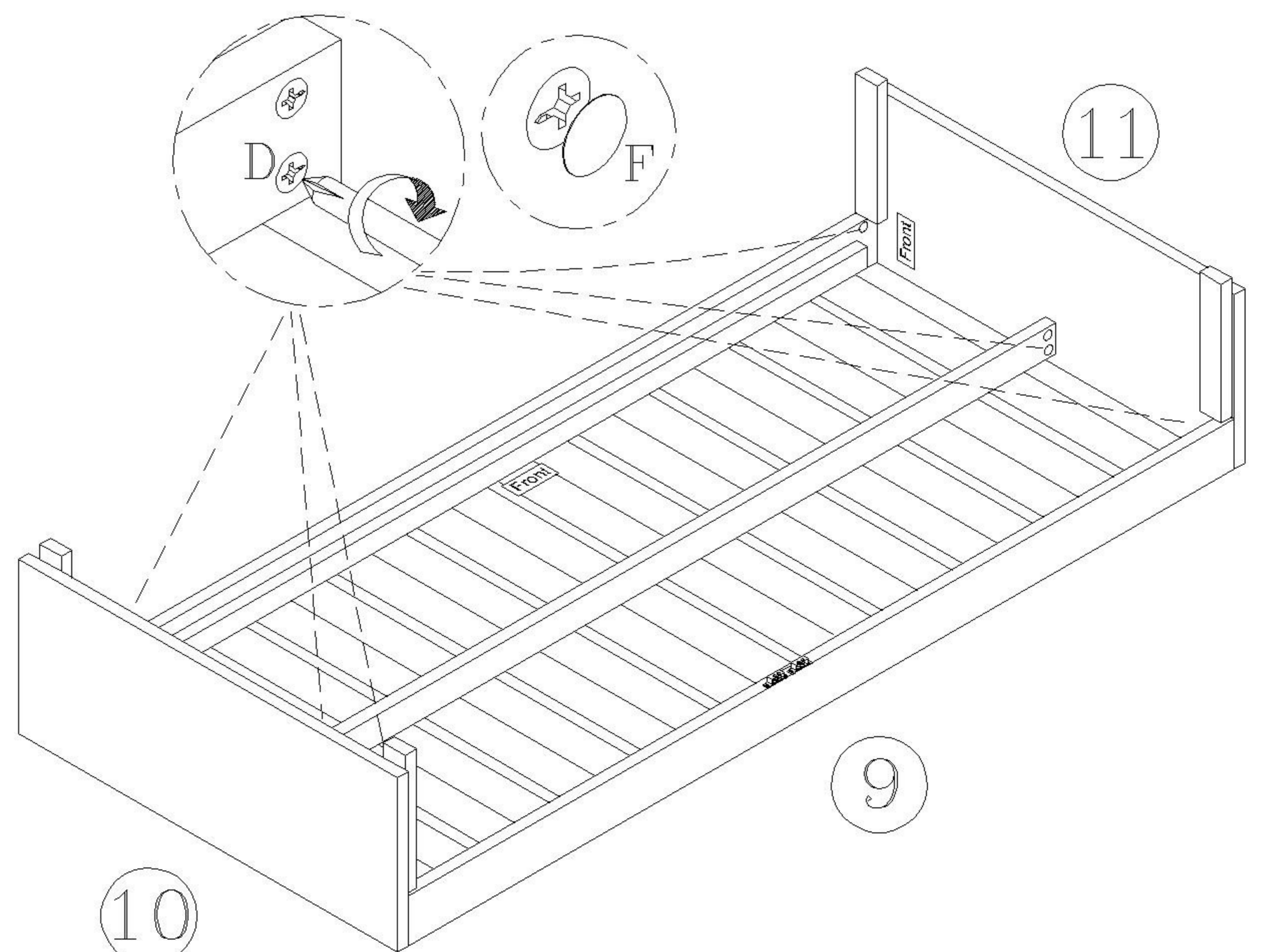
NOTE : Do not over tighten the screw

STEP 2

- A) Insert Wood Dowel(E) to Slat Frame(9)
 B) Attach Cam Lock(D) to Slat Frame(9)
 C) Attach Magnet Catch(I) to Slat Frame(9) secure using Chipboard Screw(B)

STEP 3

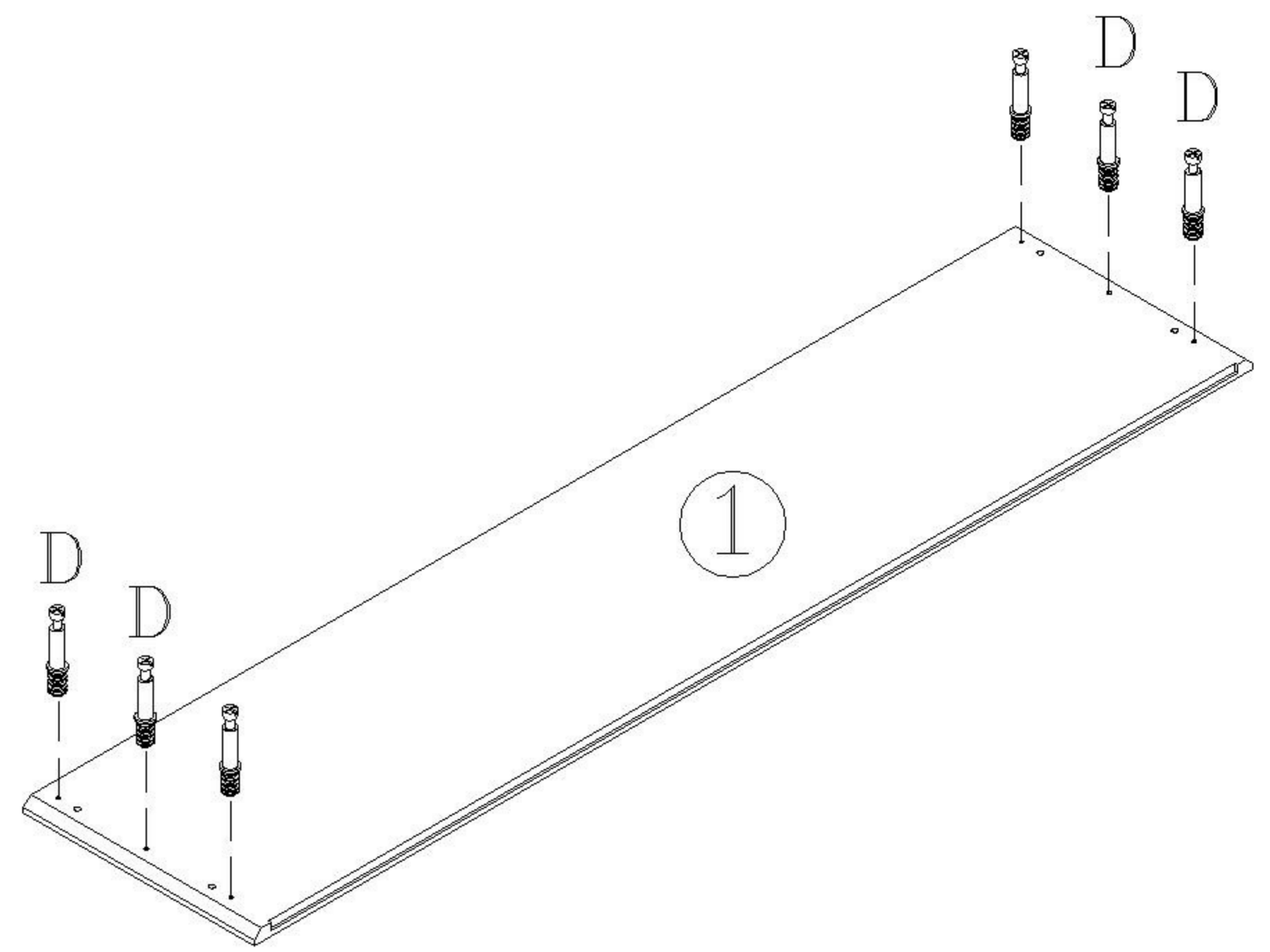
- A) Attach Small Left&Right Side Panel(10&11) to Slat Frame(9) secure with Cam Lock(D)
 B) Cover Cam Lock(D) with Cam Lock Cover(F)



STEP 4

- A) Insert & secure Cam Bolt(D) to Back Top Panel(1)

NOTE : Do not over tighten the screw

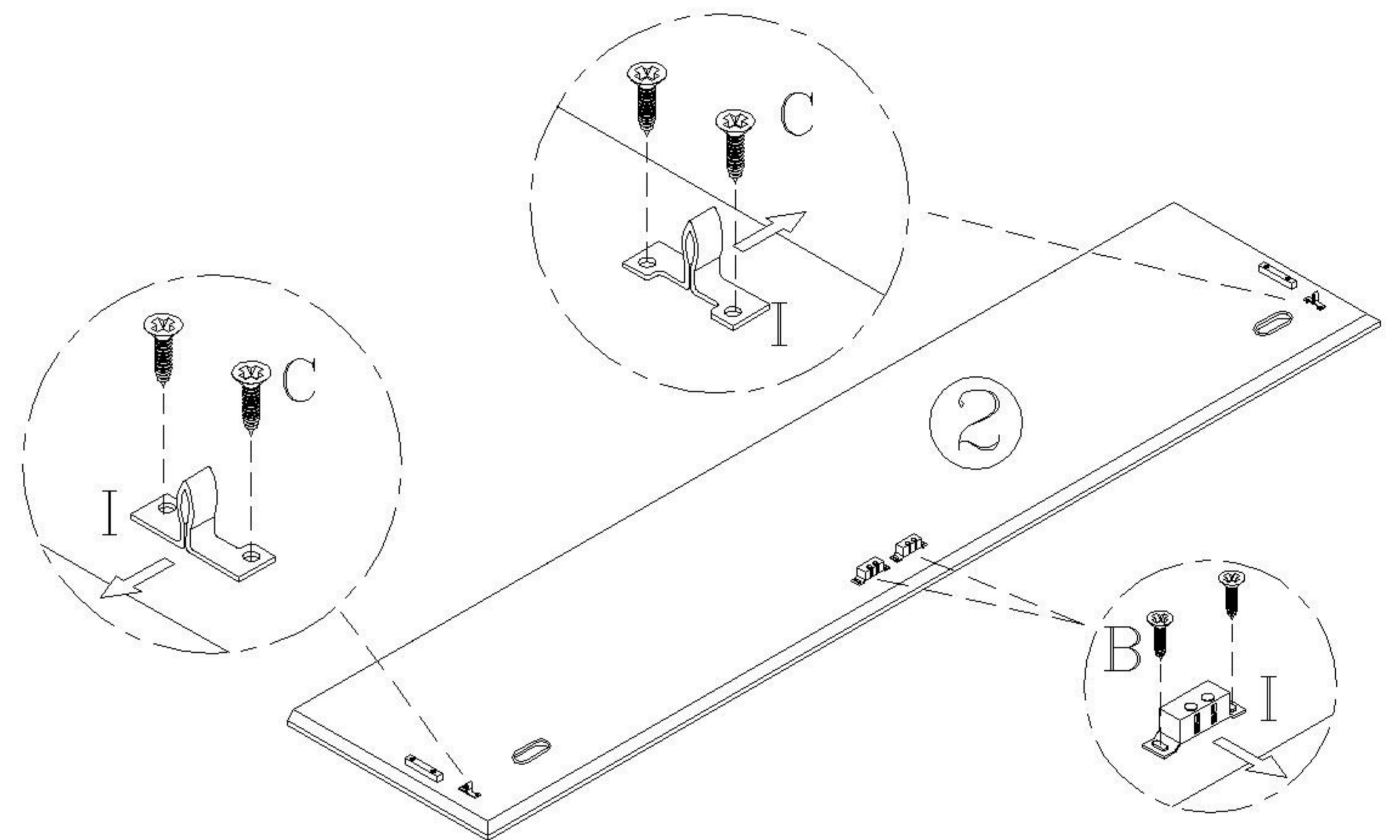


STEP 5

- A) Attach Magnet Catch(I) to Front Top Panel(2) secure using Chipboard Screw(B&C)

NOTE : Do not over tighten the screw

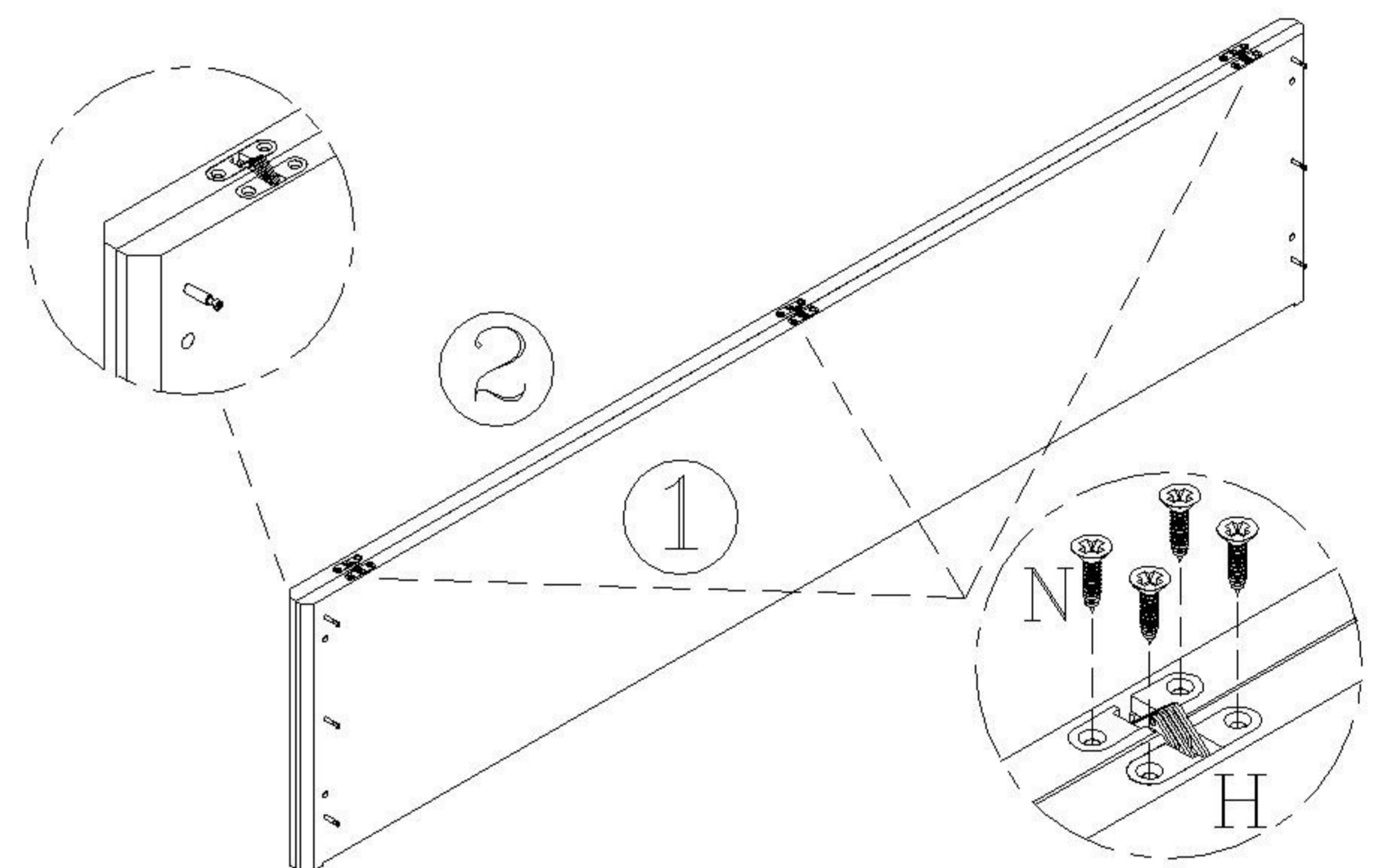
NOTE : Make sure Magnet Catch is facing towards panel edge



STEP 6

- A) Attach Hinges(H) to Front&Back Top Panel(1&2) secure using Chipboard Screw(N)

NOTE : Do not over tighten the screw

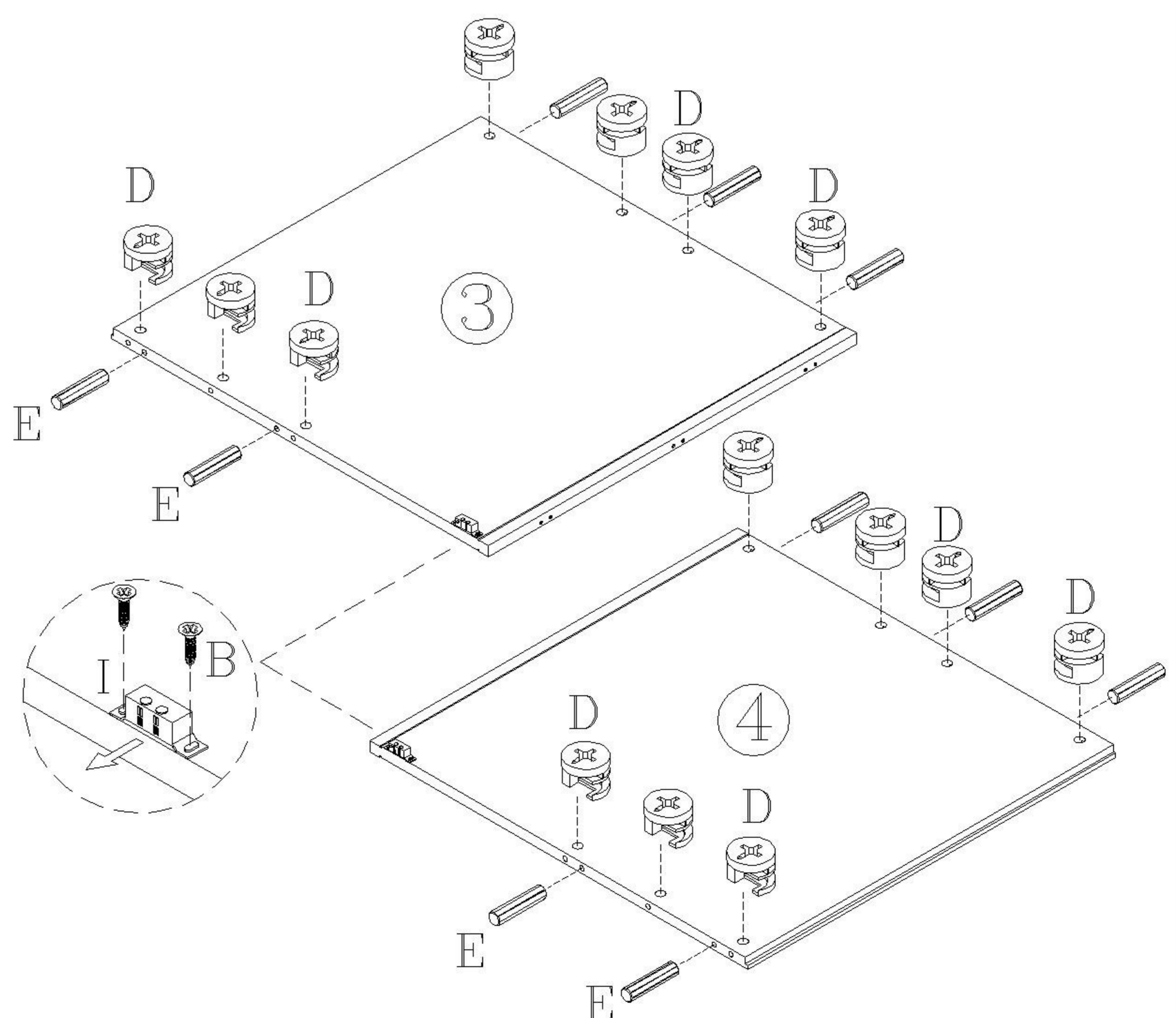


STEP 7

- A) Insert Wood Dowel(E) to Left&Right Side Panel(3&4)
- B) Attach Cam Lock(D) to Left&Right Side Panel(3&4)
- C) Attach Magnet Catch(I) to Left&Right Side Panel(3&4) secure using Chipboard Screw(B)

NOTE : Make sure arrows on each Cam Lock points towards nearest edge with holes

NOTE : Make sure Magnet Catch is facing towards panel edge

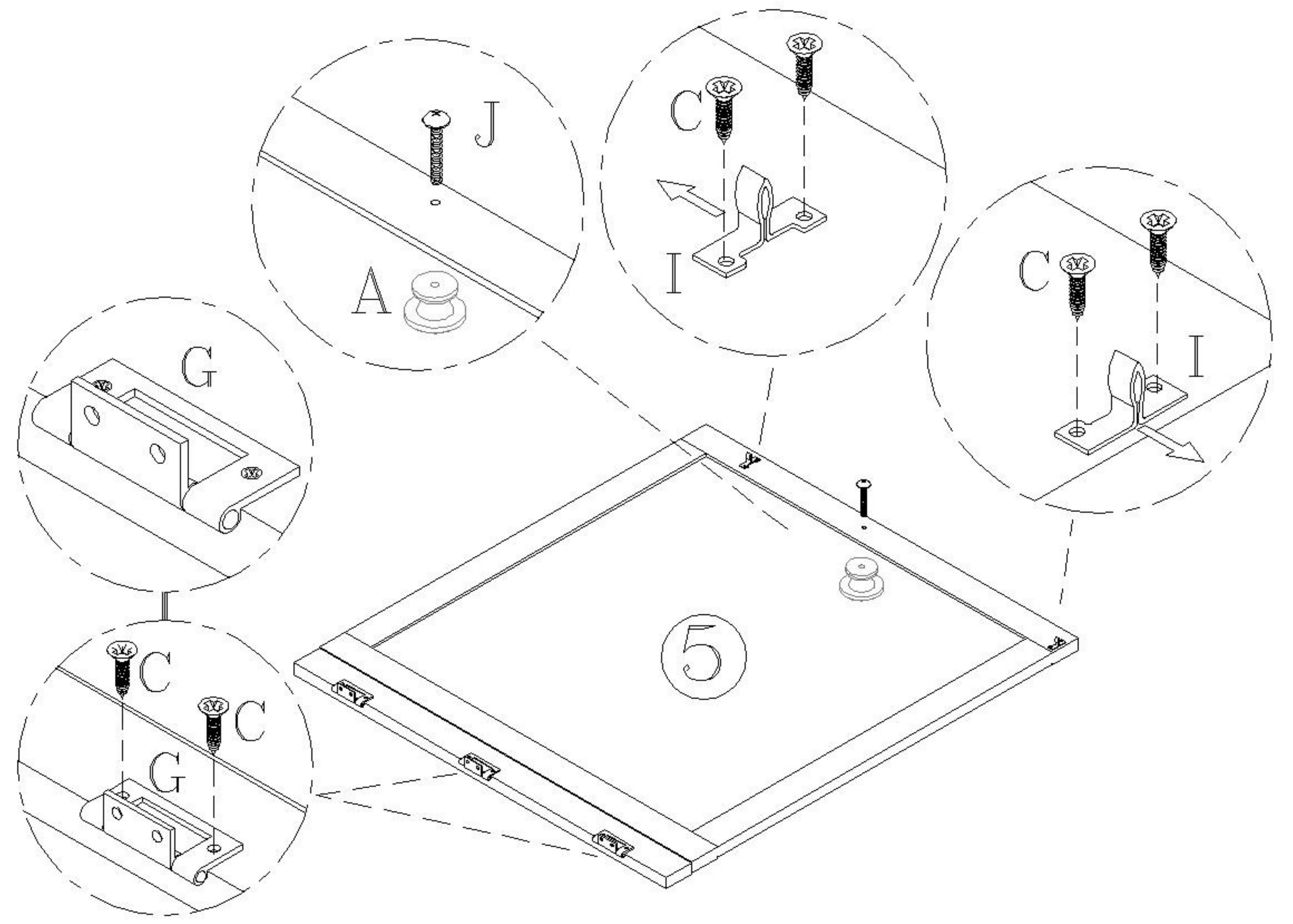


STEP 8

- A) Attach Magnet Catch(I) to Left Door(5) secure using Chipboard Screw(C)
- B) Attach Hinges(G) to Left Door(5) secure using Chipboard Screw(C)
- C) Attach Handle(A) to Left Door(5) using Panhead Screw(J) to secure

NOTE : Do not over tighten the screw

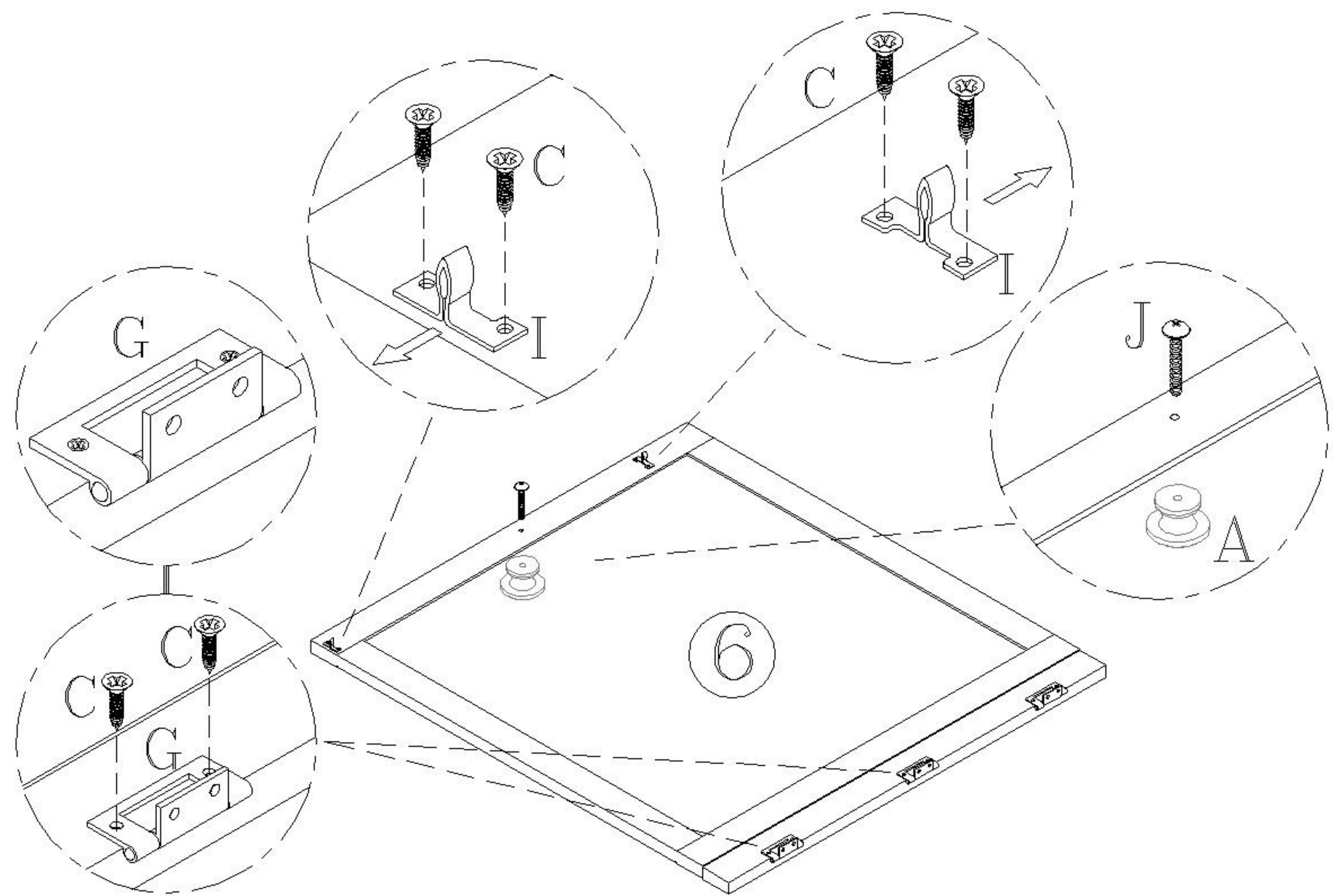
NOTE : Make sure Magnet Catch is facing towards panel edge

STEP 9

- A) Attach Magnet Catch(I) to Right Door(6) secure using Chipboard Screw(C)
- B) Attach Hinges(G) to Right Door(6) secure using Chipboard Screw(C)
- C) Attach Handle(A) to Right Door(6) using Panhead Screw(J) to secure

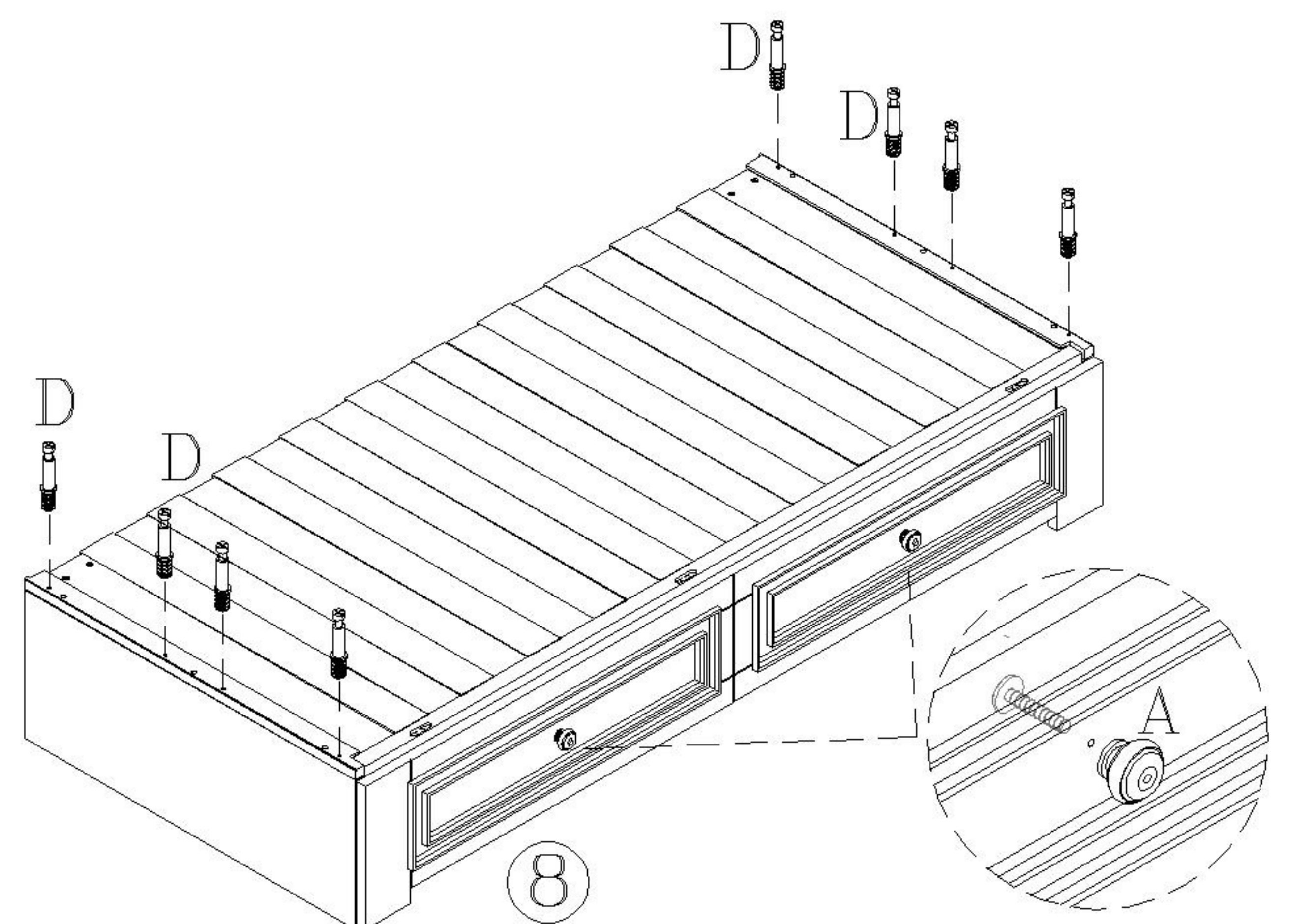
NOTE : Do not over tighten the screw

NOTE : Make sure Magnet Catch is facing towards panel edge

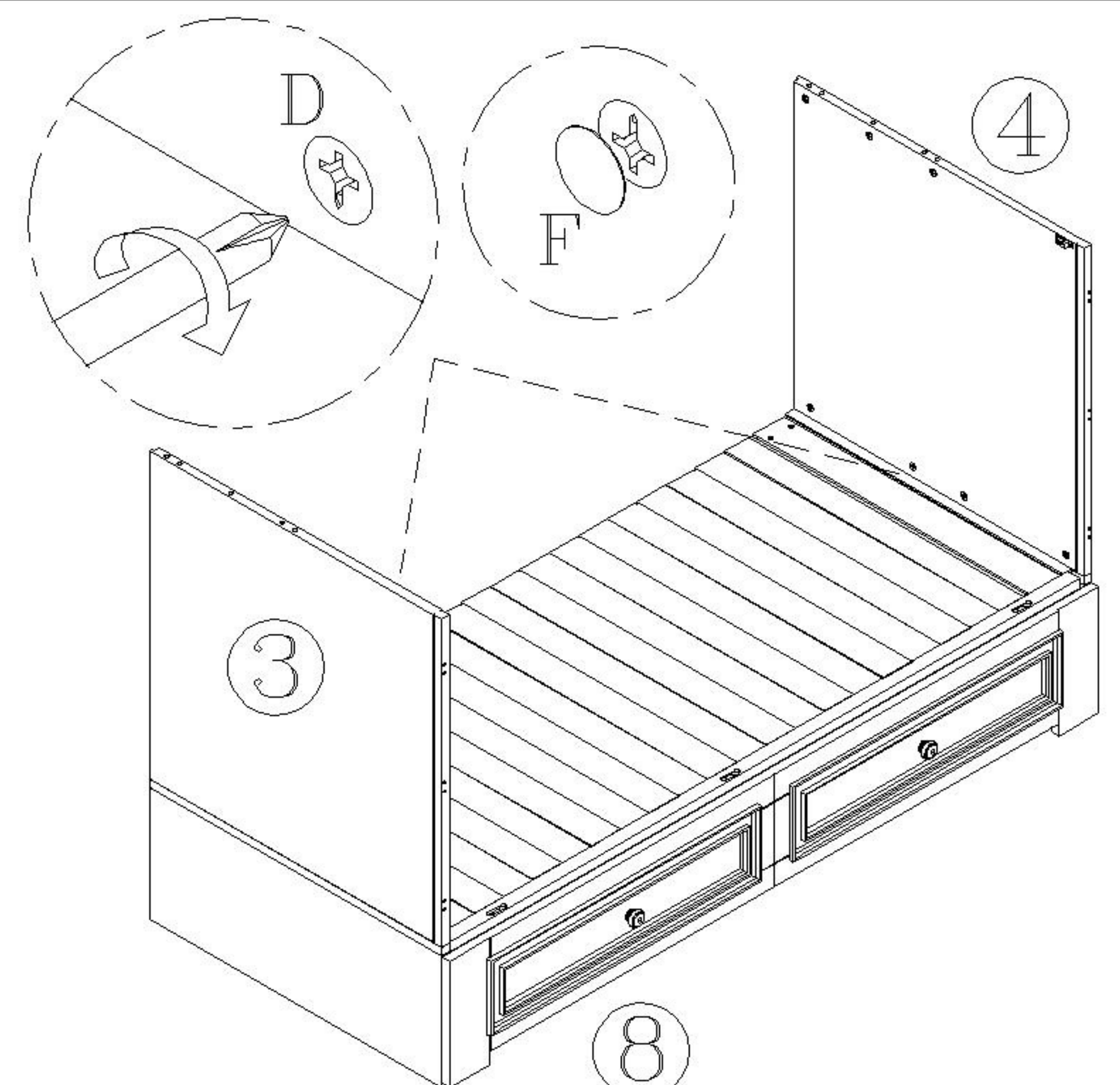
STEP 10

- A) Insert & secure Cam Bolt(D) to Drawer Box(8)
- B) Attach Handle(A) to Drawer Front using Panhead Screw(J) to secure

NOTE : Do not over tighten the screw

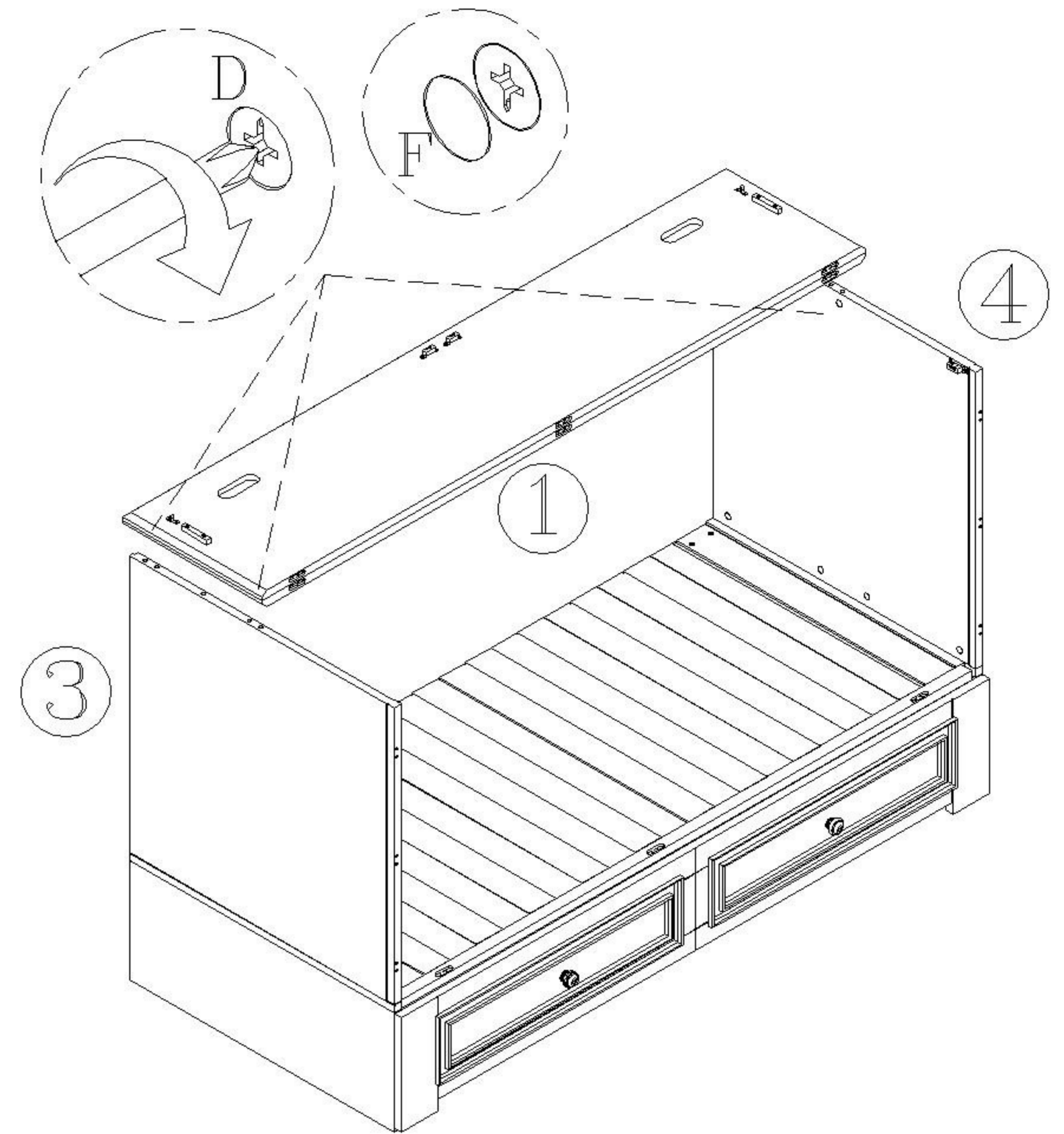
STEP 11

- A) Attach Left&Right Side Panel(3&4) to Drawer Box(8) secure with Cam Lock(D)
- B) Cover Cam Lock(D) with Cam Lock Cover(F)



STEP 12

- A) Attach Back Top Panel(1) to Left&Right Side Panel(3&4) secure with Cam Lock(D)
- B) Cover Cam Lock(D) with Cam Lock Cover(F)

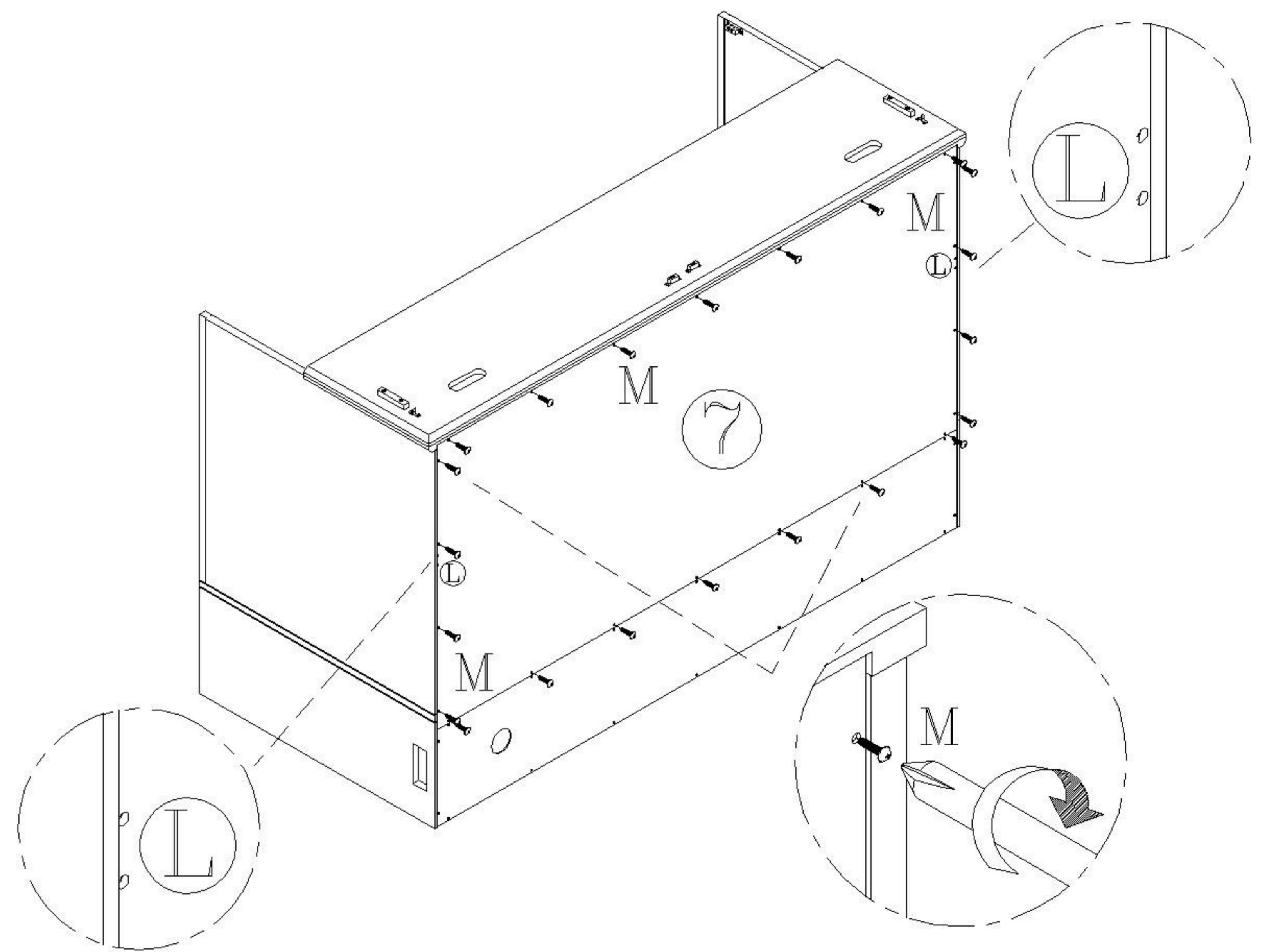


STEP 13

- A) Attach Back Plywood(7) to assembled unit using Panhead Chipboard Screw(Black)(M) to secure

NOTE : Do not over tighten the screw

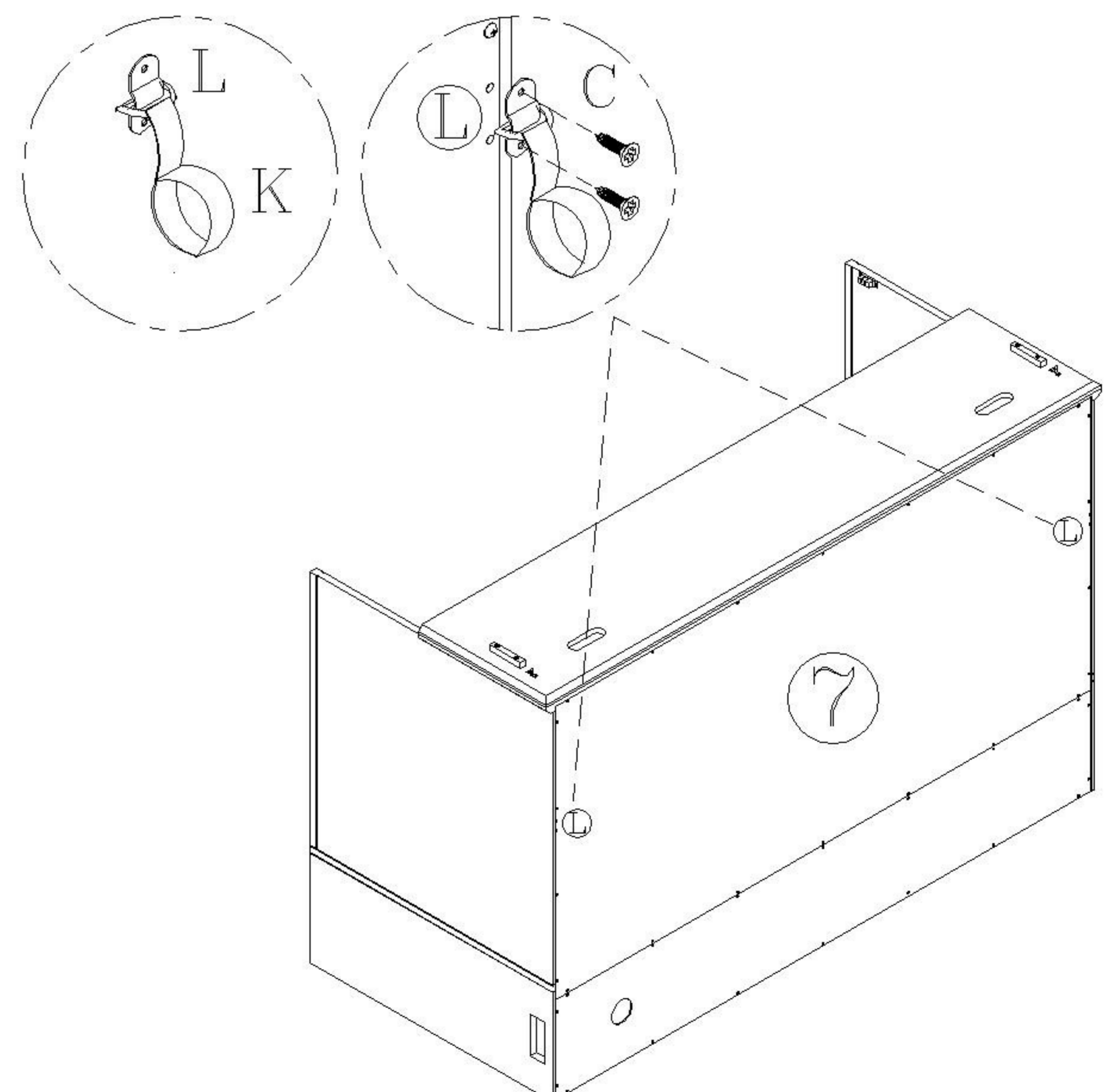
REMARK L : Refer to Step 14



STEP 14

- A) Place Belt(K) to Belt Plate(L)
- B) Attach Belt Plate(L) to Back Plywood(7) and secure using Chipboard Screw(C) to secure

NOTE : Do not over tighten the screw

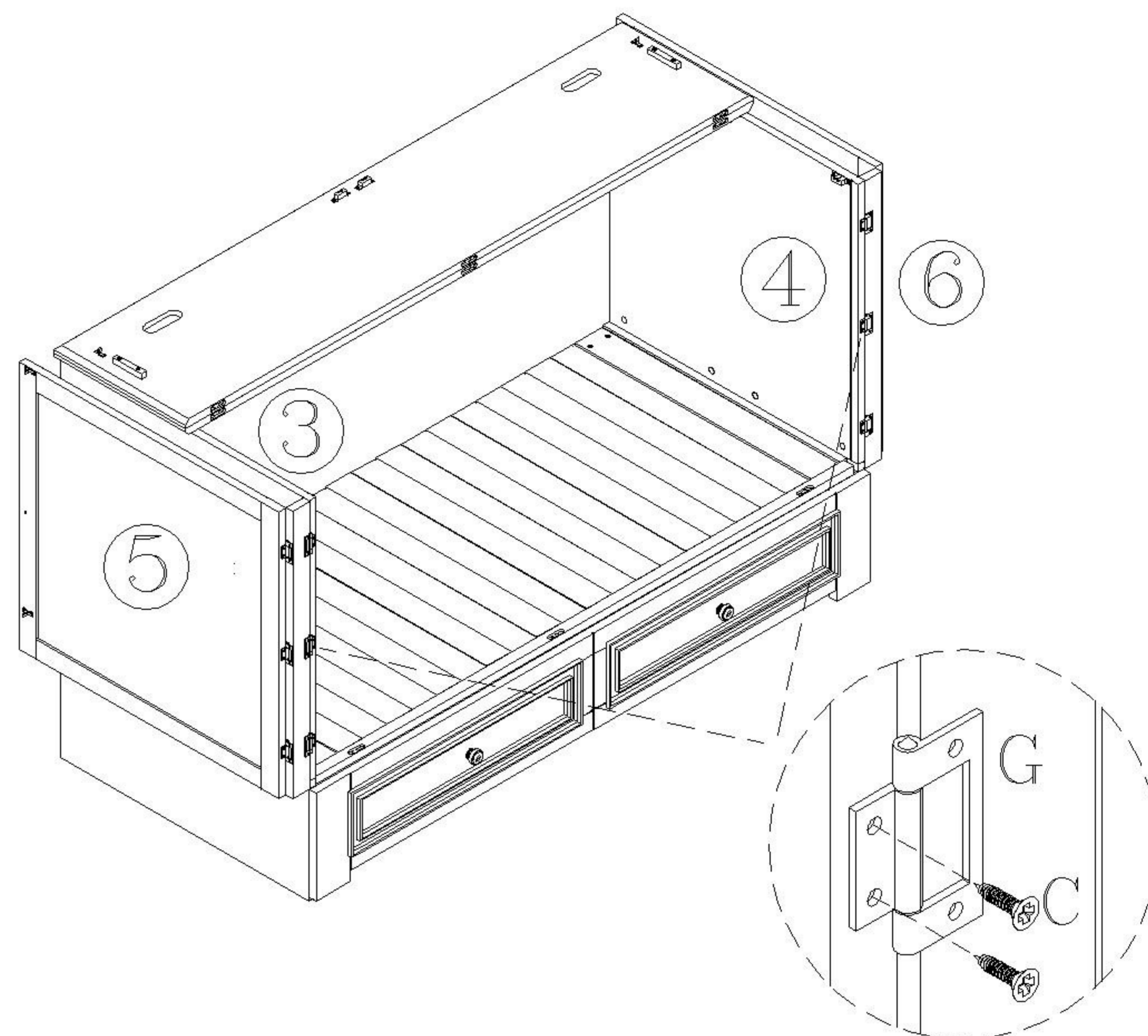


STEP 15

- A) Attach Door(5&6) to Left&Right Side Panel(3&4) using Chipboard Screw(C) to secure

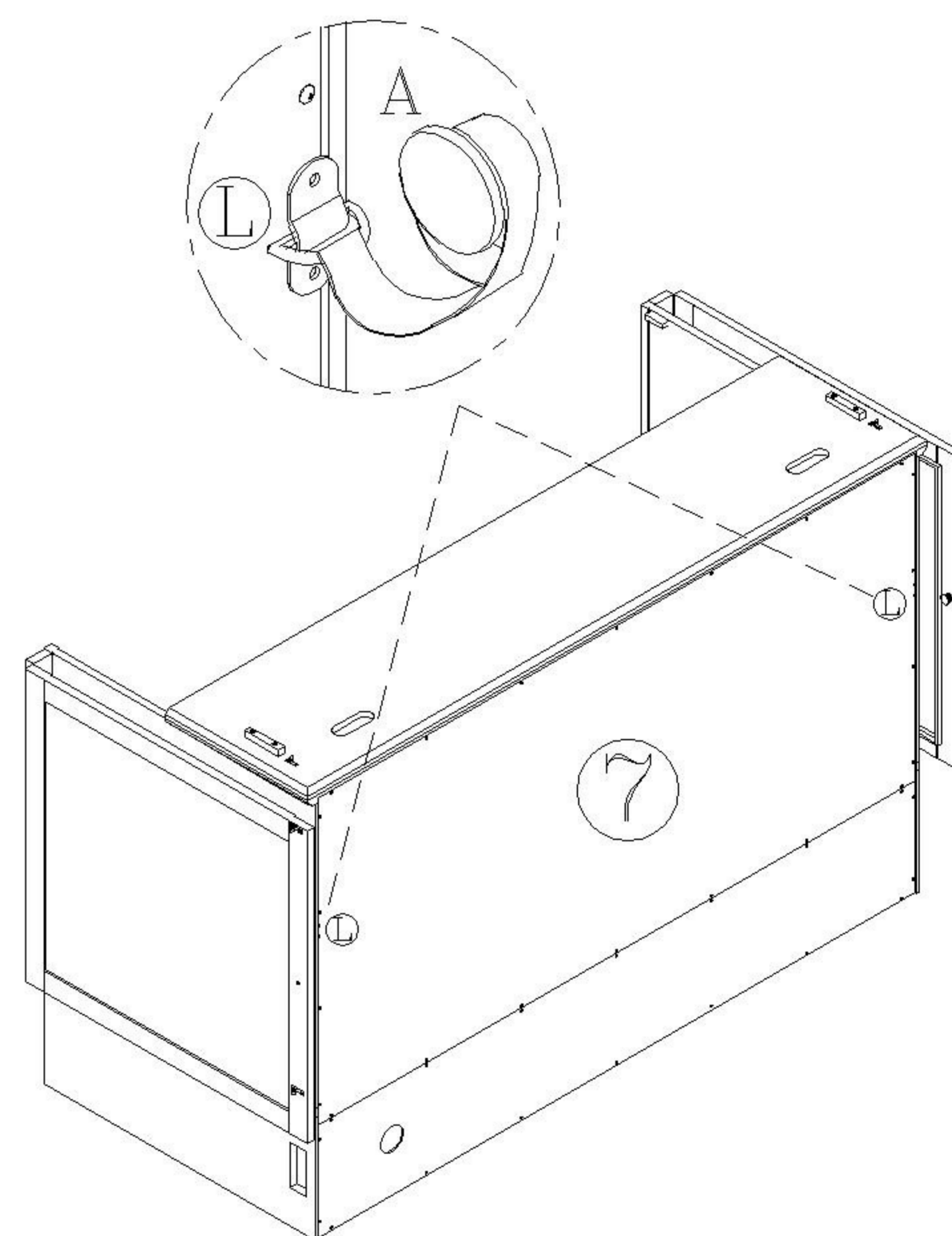
NOTE : The door should be assembled by 2 people of 1 holding the door while assembling

NOTE : Do not over tighten the Screw



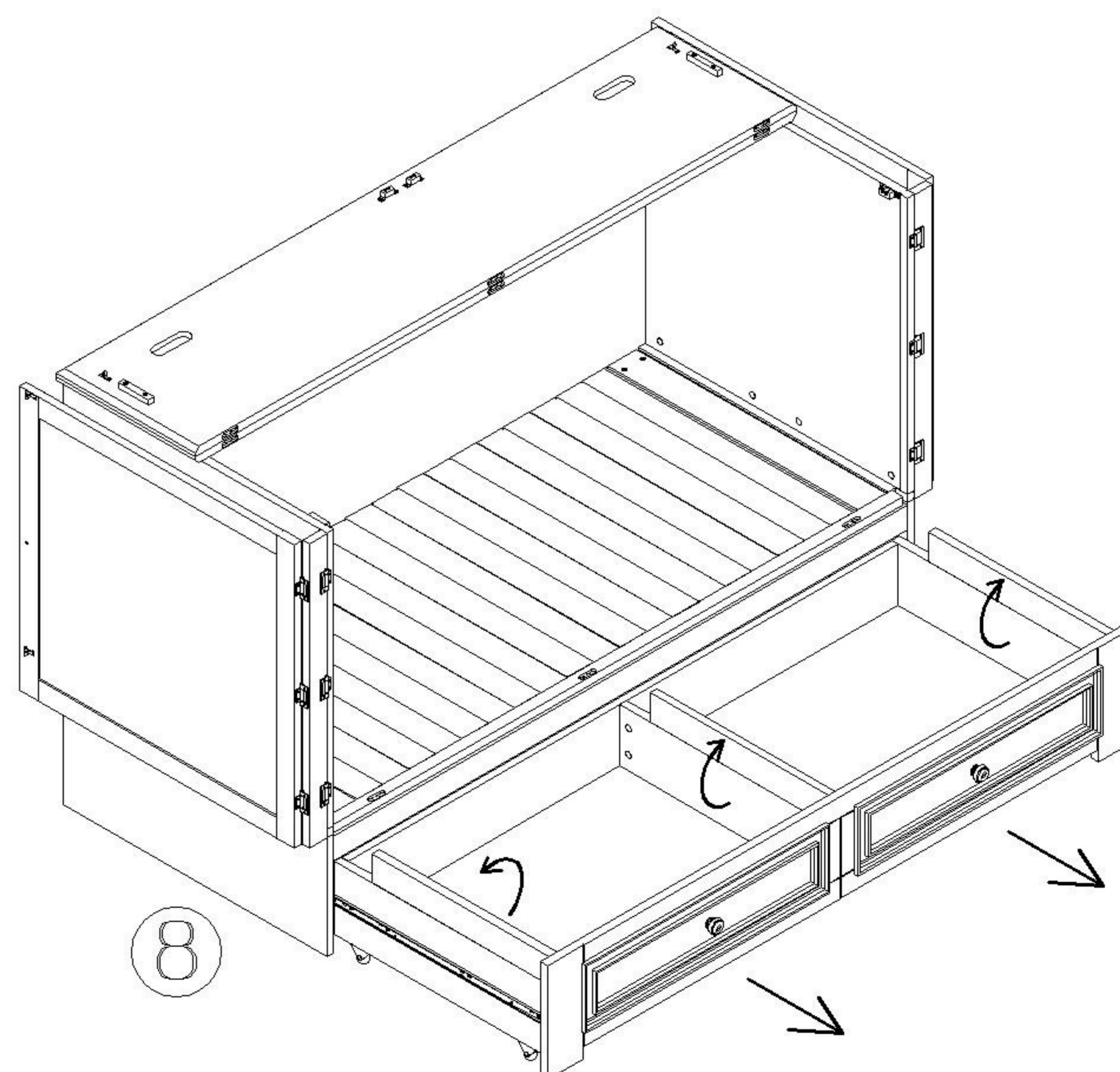
STEP 16

- A) Attach the round side of Belt(K) to door handle to secure door



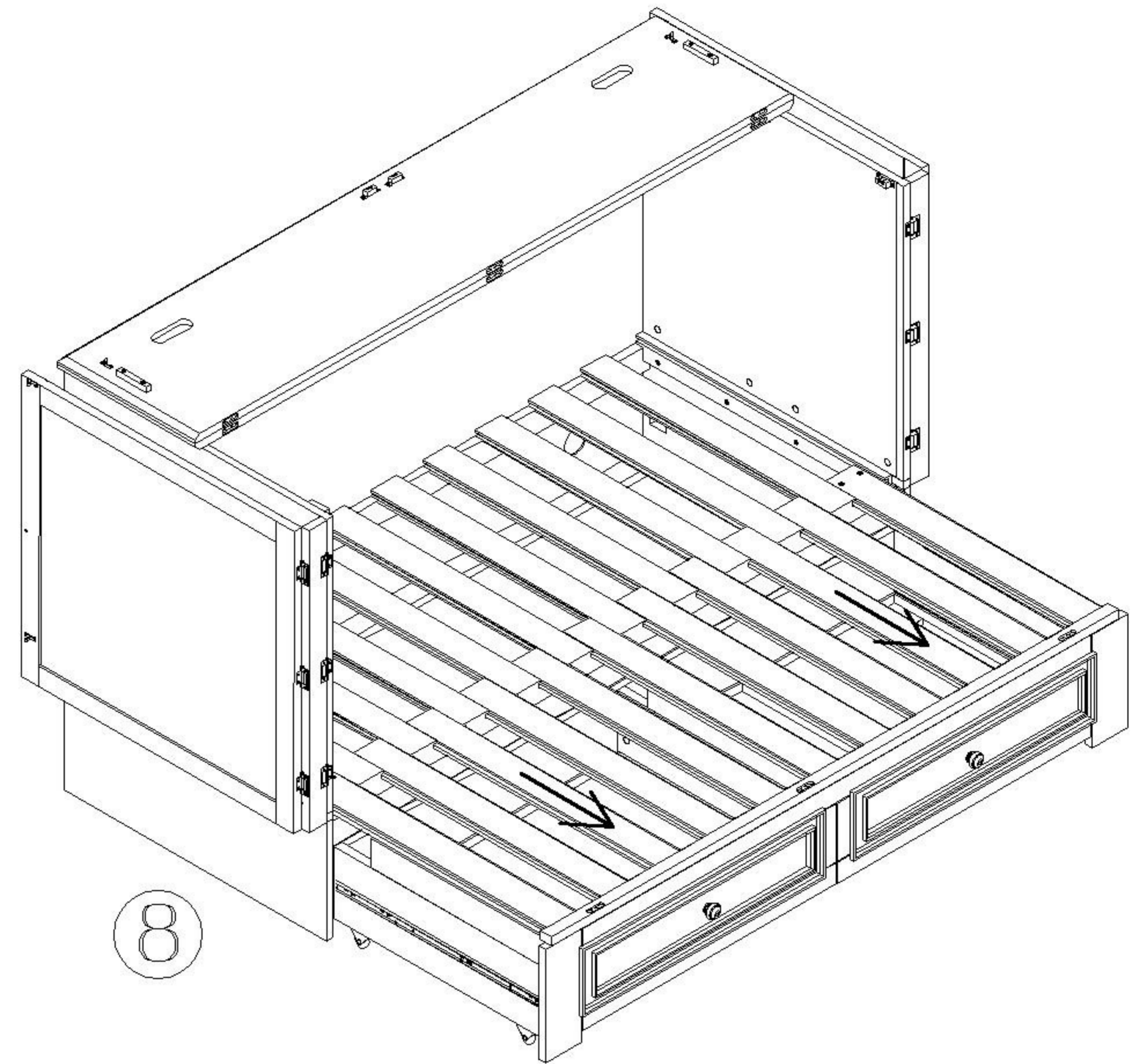
STEP 17

- A) Pull out drawer
B) Fold vertically Drawer Bar



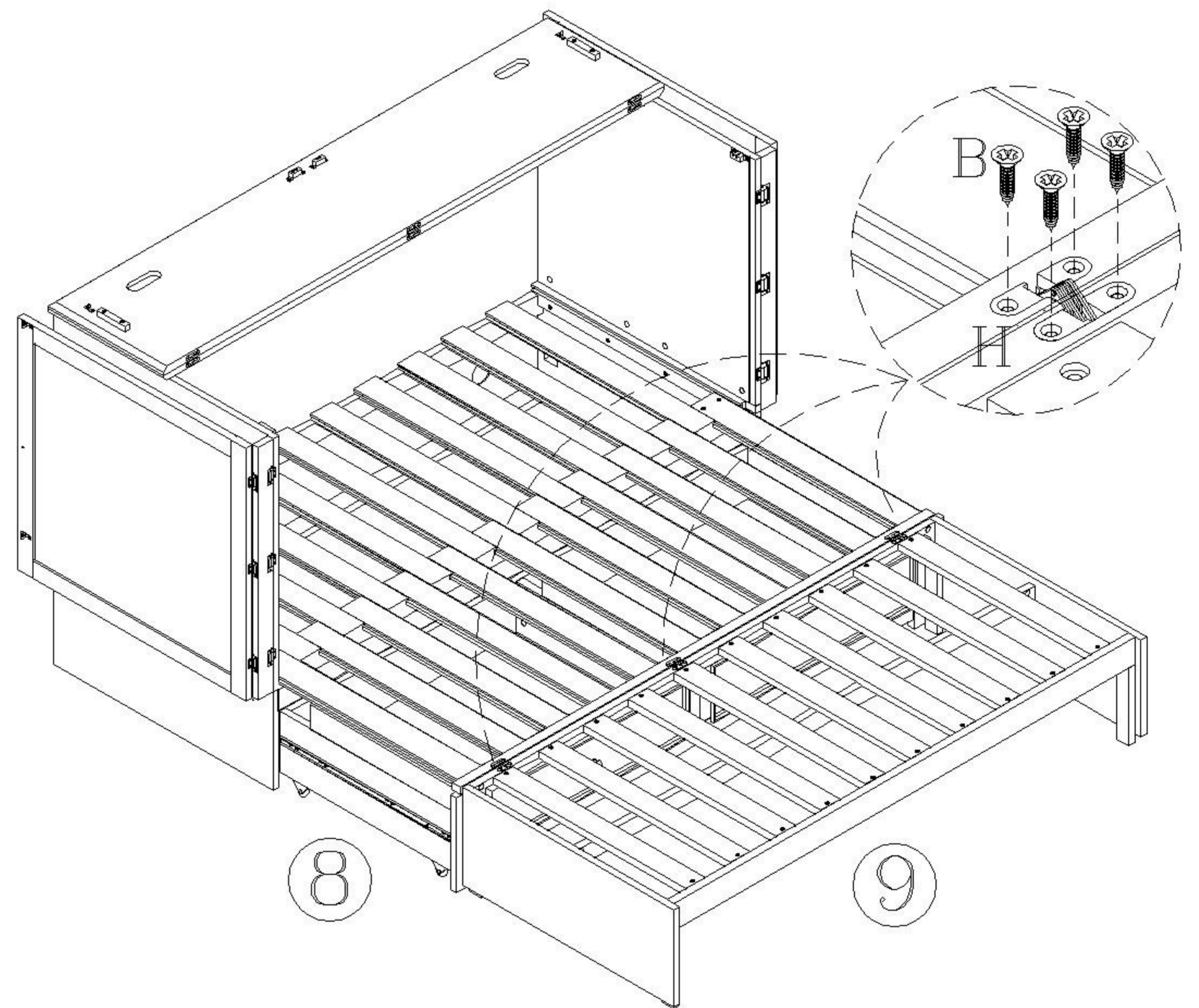
STEP 18

A) Pull out Frame on Drawer Box(8)



STEP 19

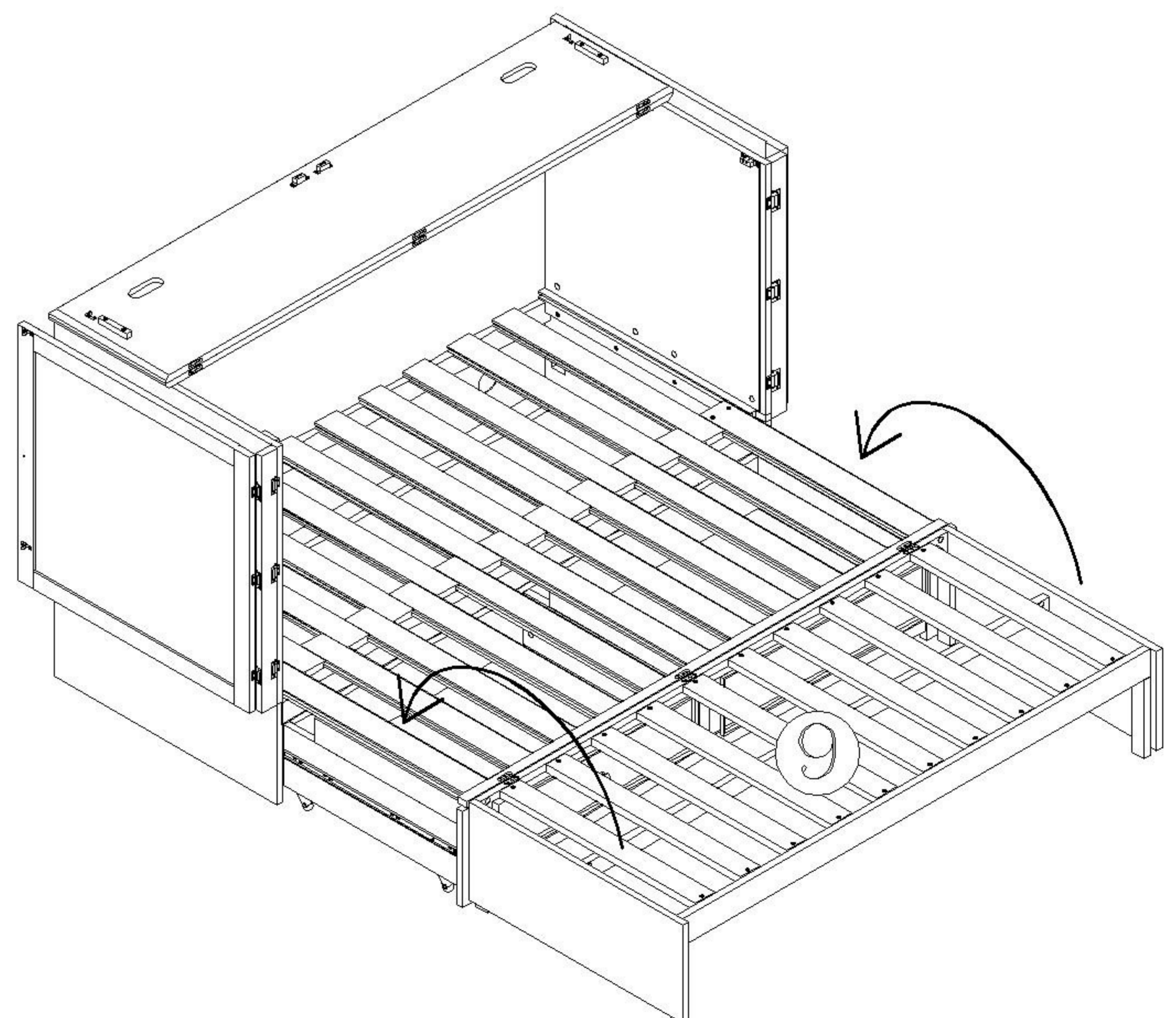
A) Place Slat Frame(9) to front of Drawer Box(8) and attach Hinges(H) using Panhead Screw(B) to secure



CLOSE STEPS:

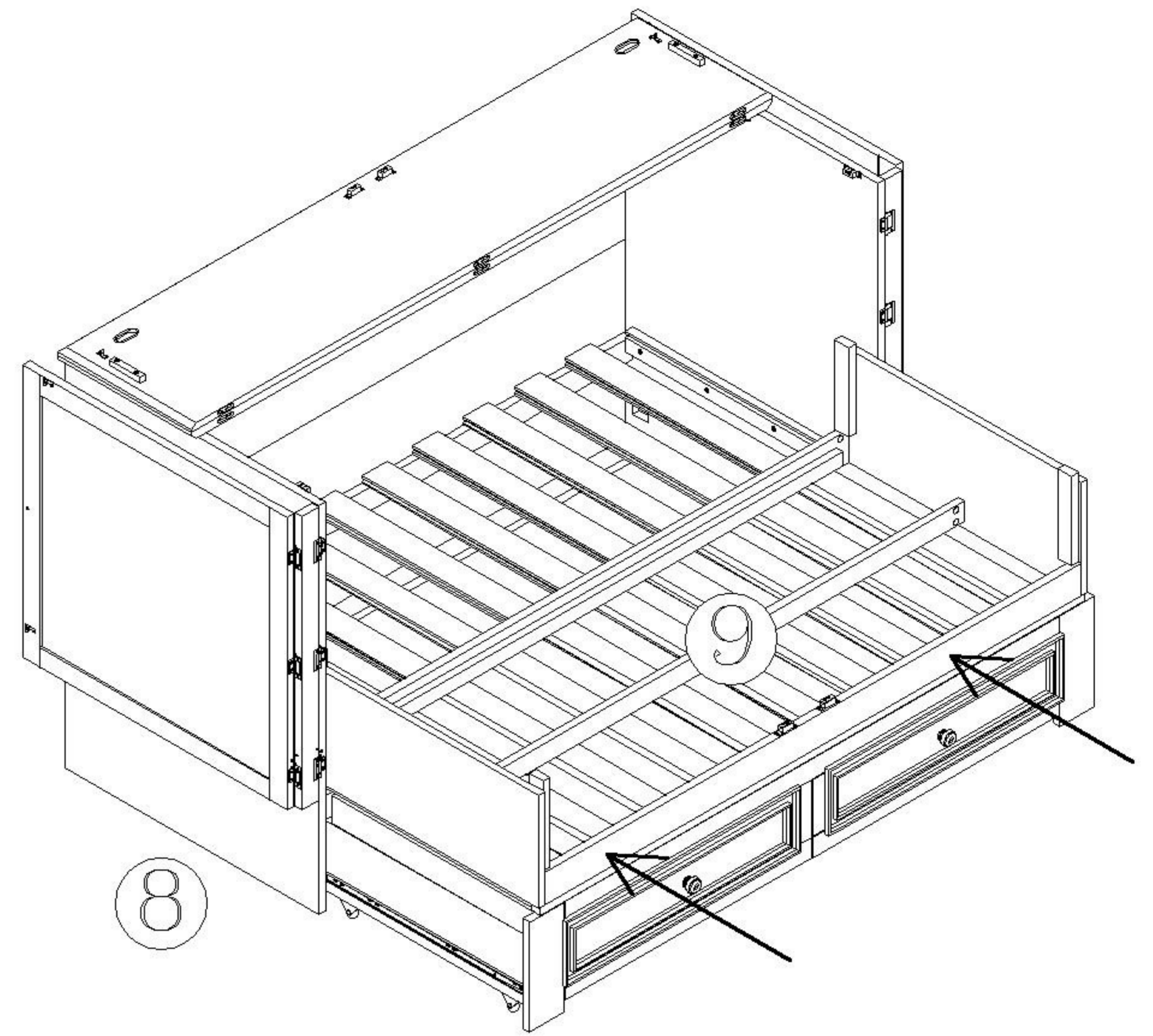
STEP 1

A) Fold Slat Frame(9) on Pull Out Frame



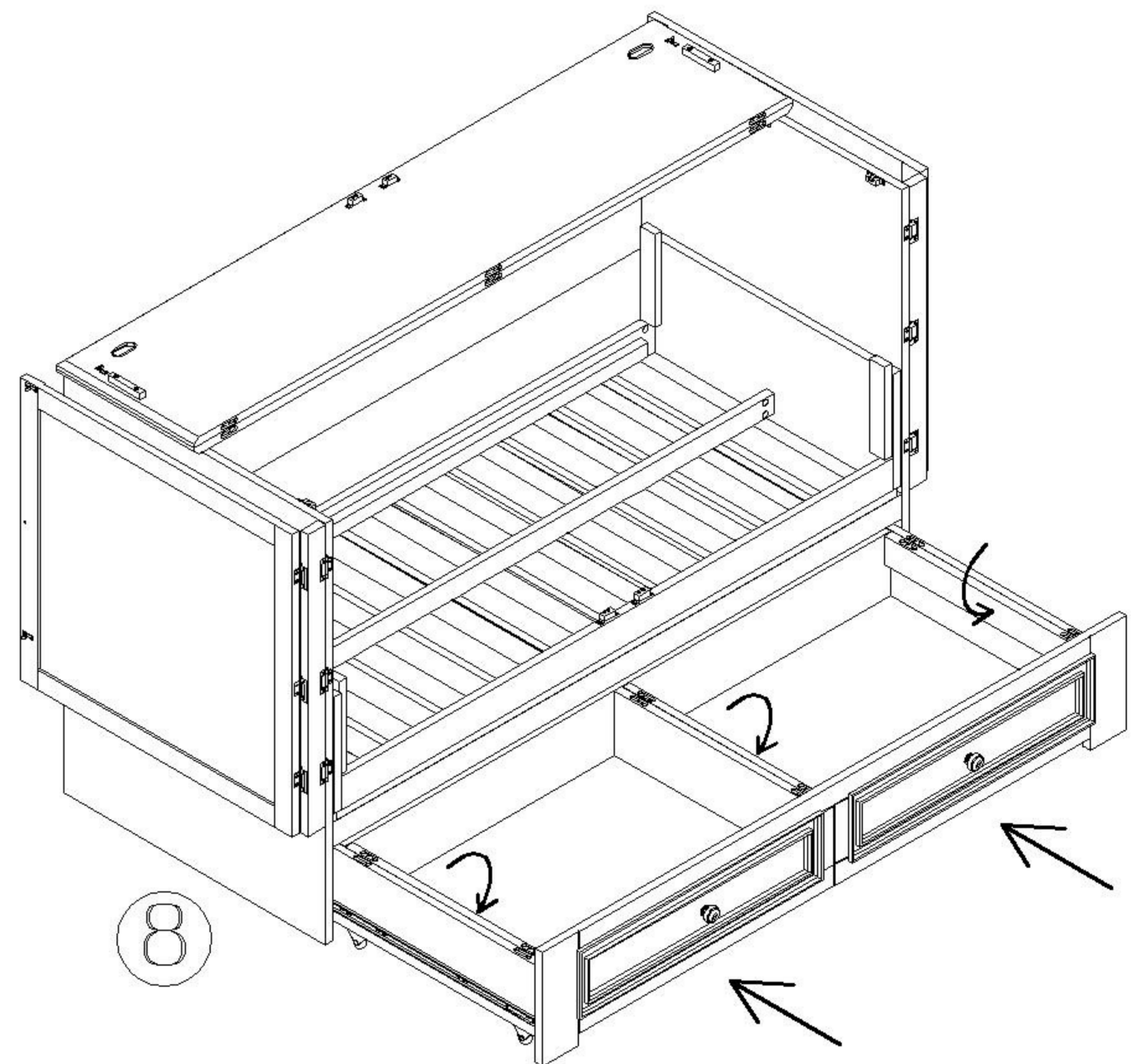
STEP 2

- A) Push inside Slat Frame(9) to top Drawer Box(8)



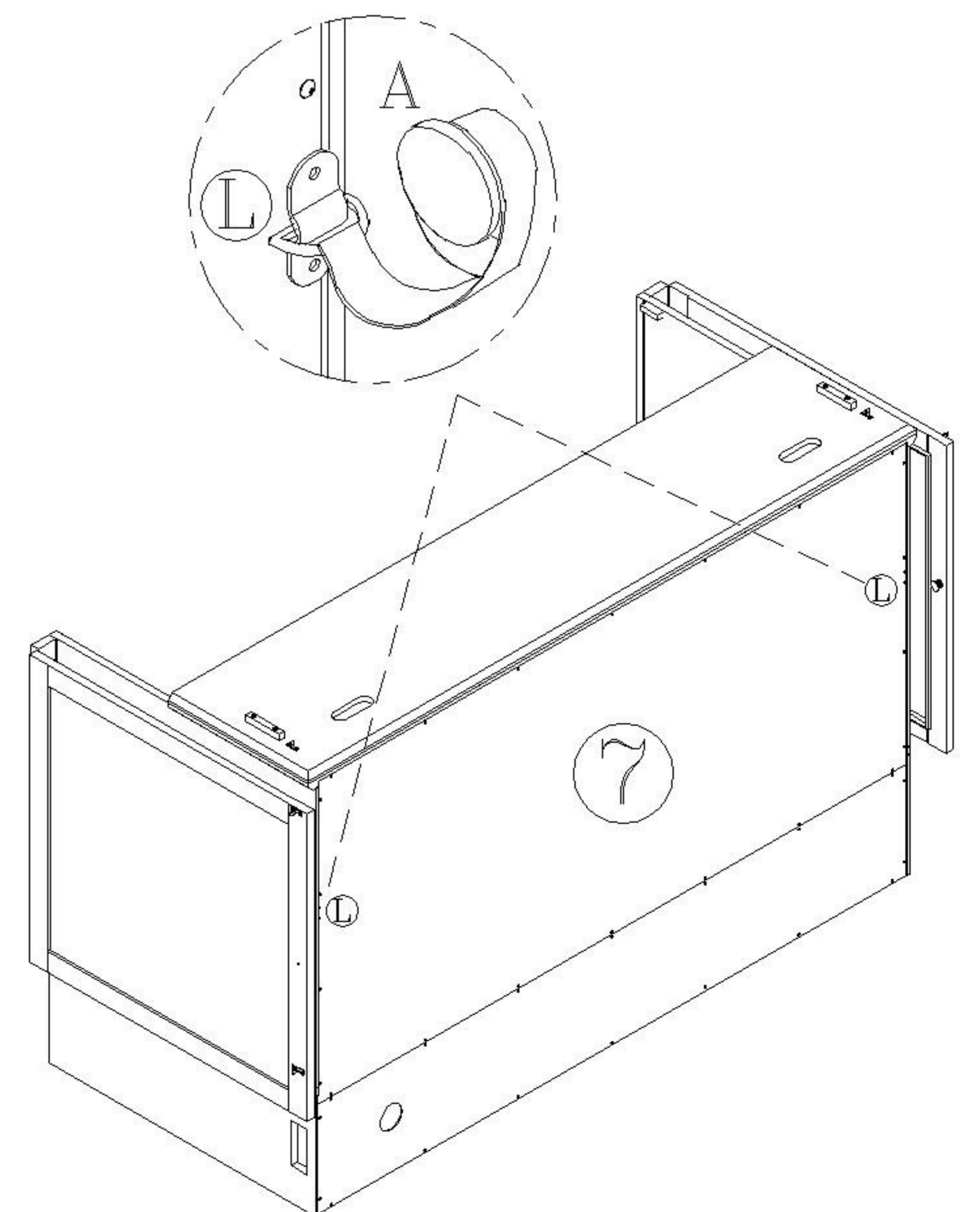
STEP 3

- A) Fold Drawer Bar to side
- B) Push drawer back into Drawer Box(8)



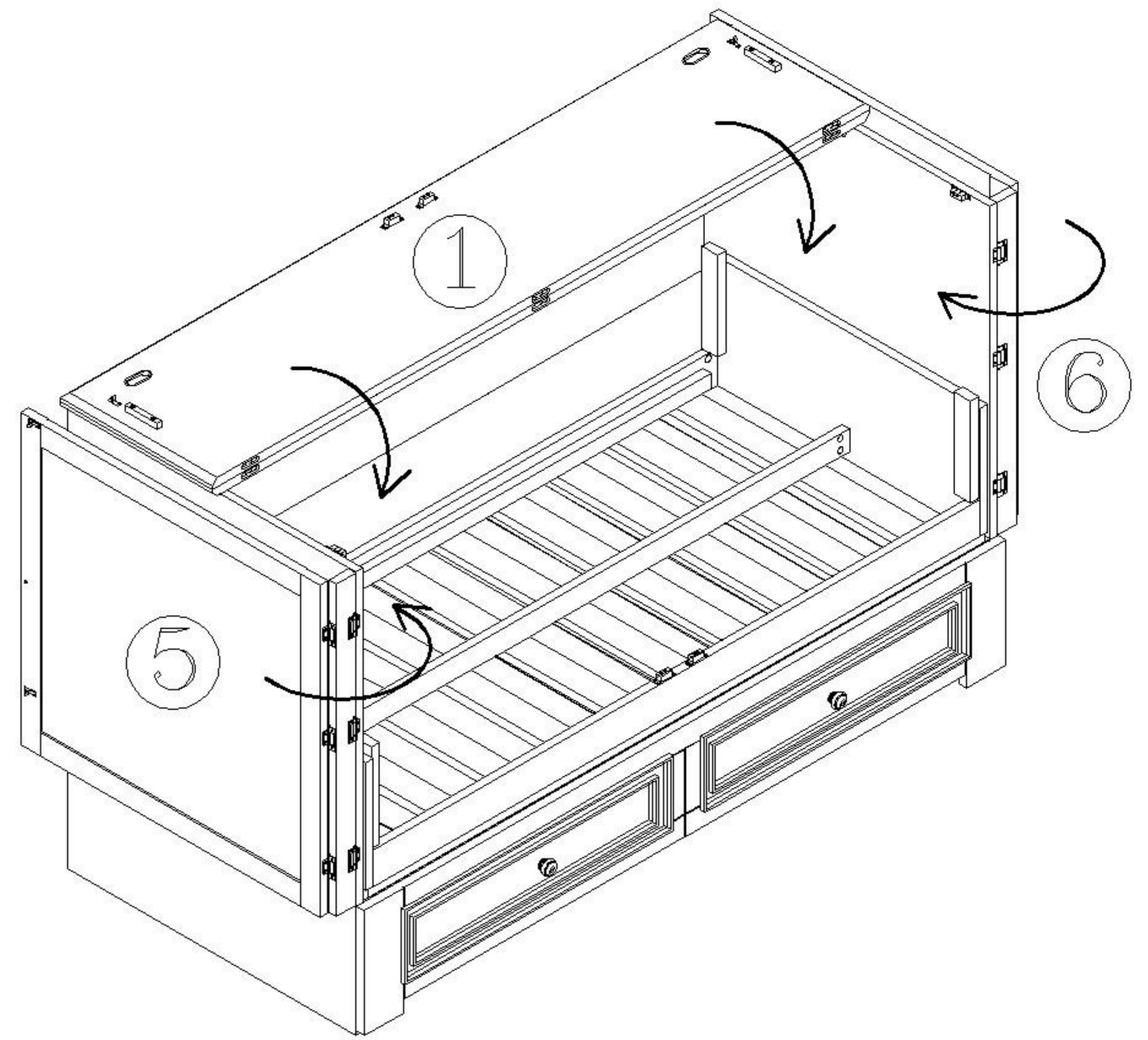
STEP 4

- A) Remove Belt(K) from door handle



STEP 5

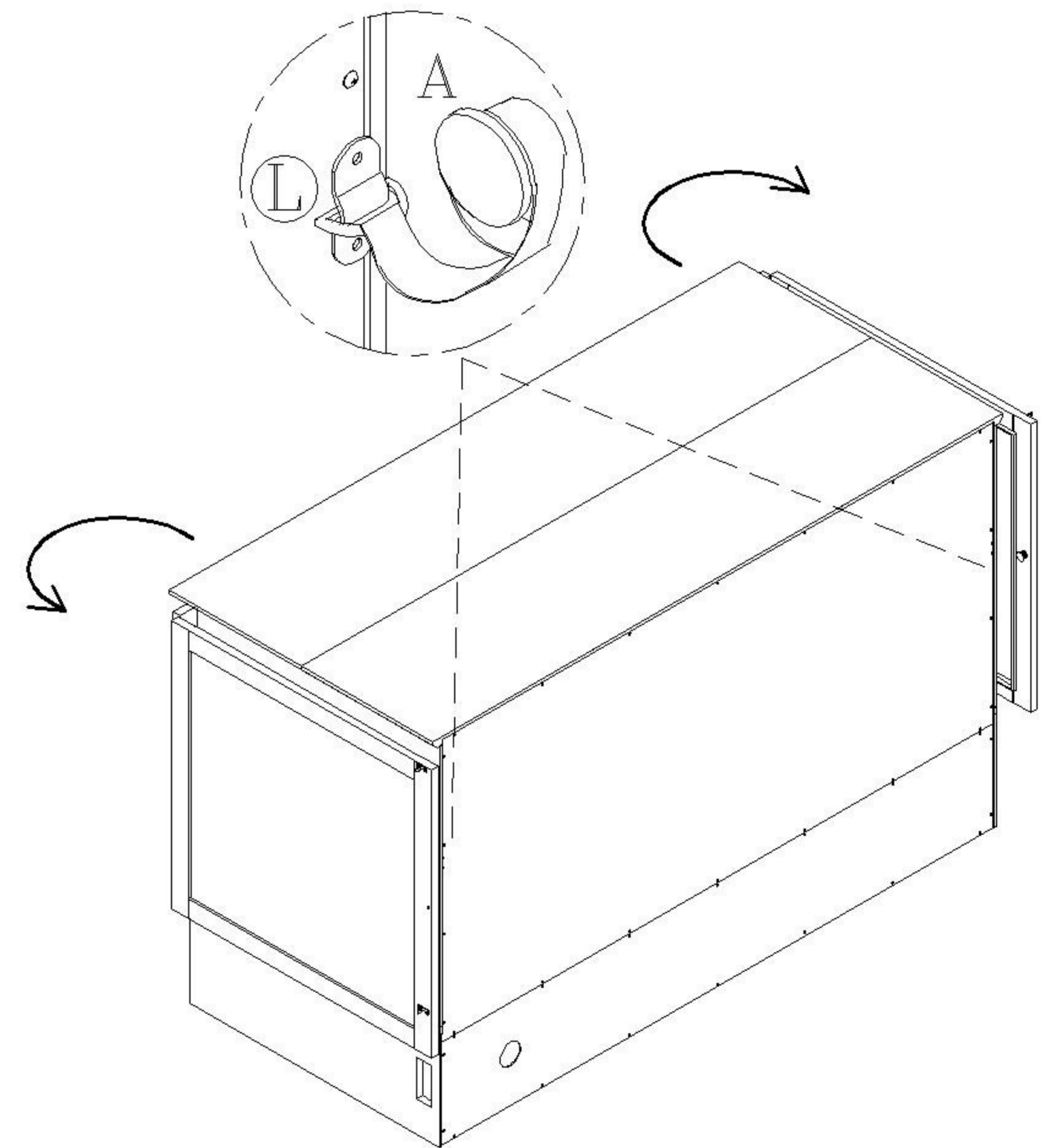
- A) Close Top Panel(1)
- B) Close Left&Right Door(5&6)



OPEN STEPS:

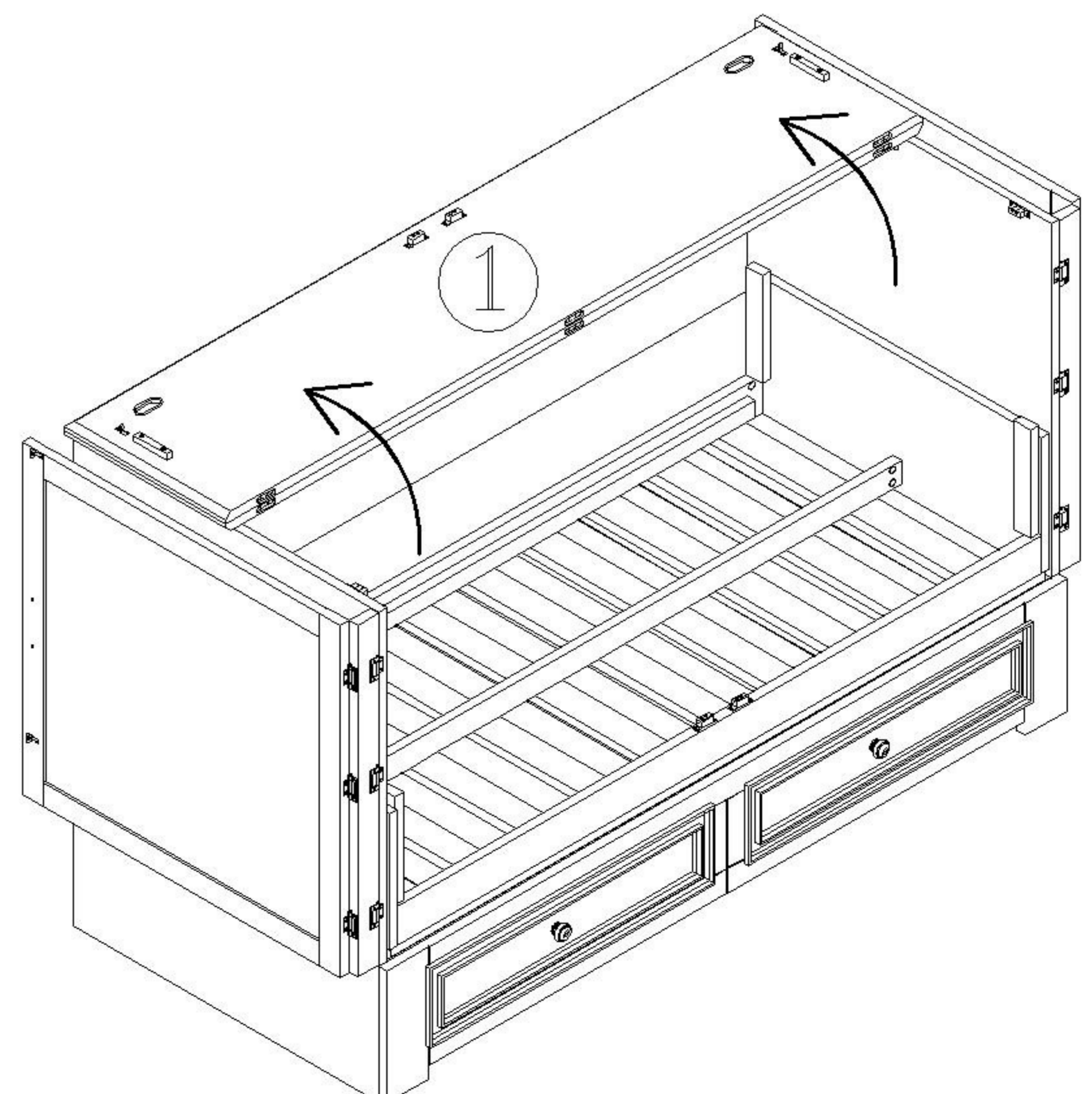
STEP 1

- A) Open door, attach the round side of Belt(K) to door handle to secure door



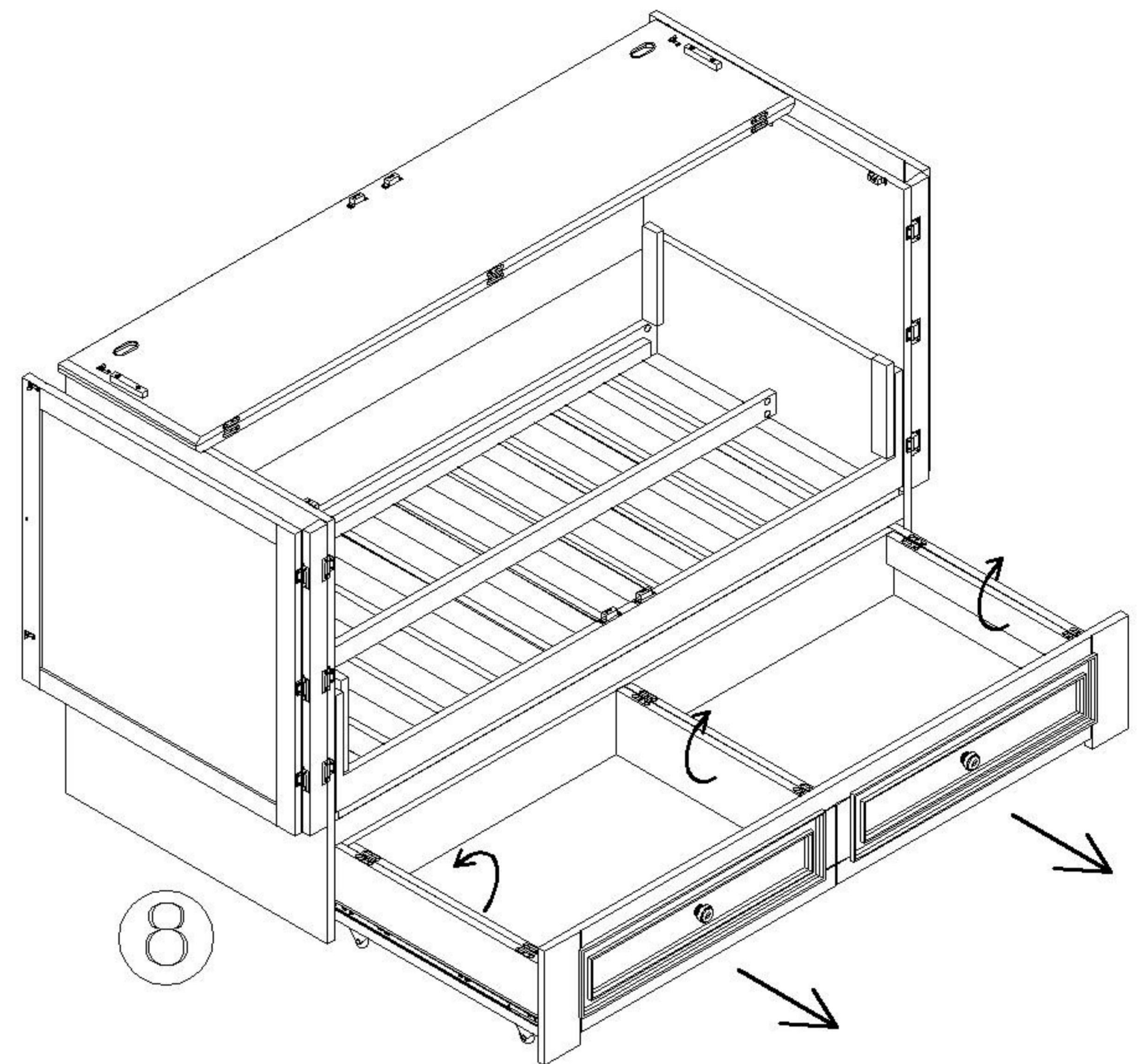
STEP 2

- A) Open Top Panel(1)

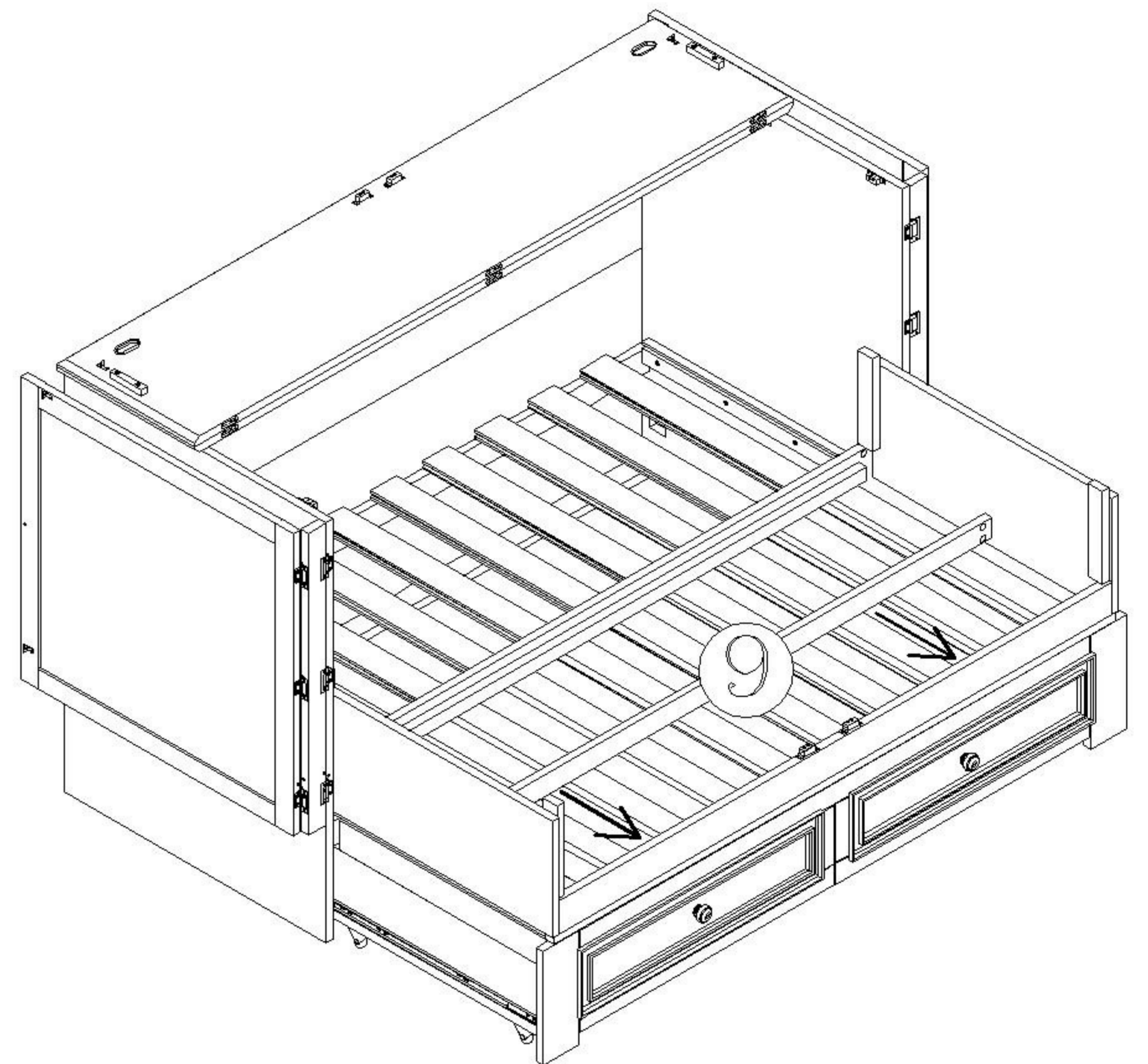


STEP 3

- A) Pull out drawer
- B) Fold vertically Drawer Bar

STEP 4

- A) Pull out Slat Box(9)

STEP 5

- A) Fold Slat Frame(9) to front of drawer

