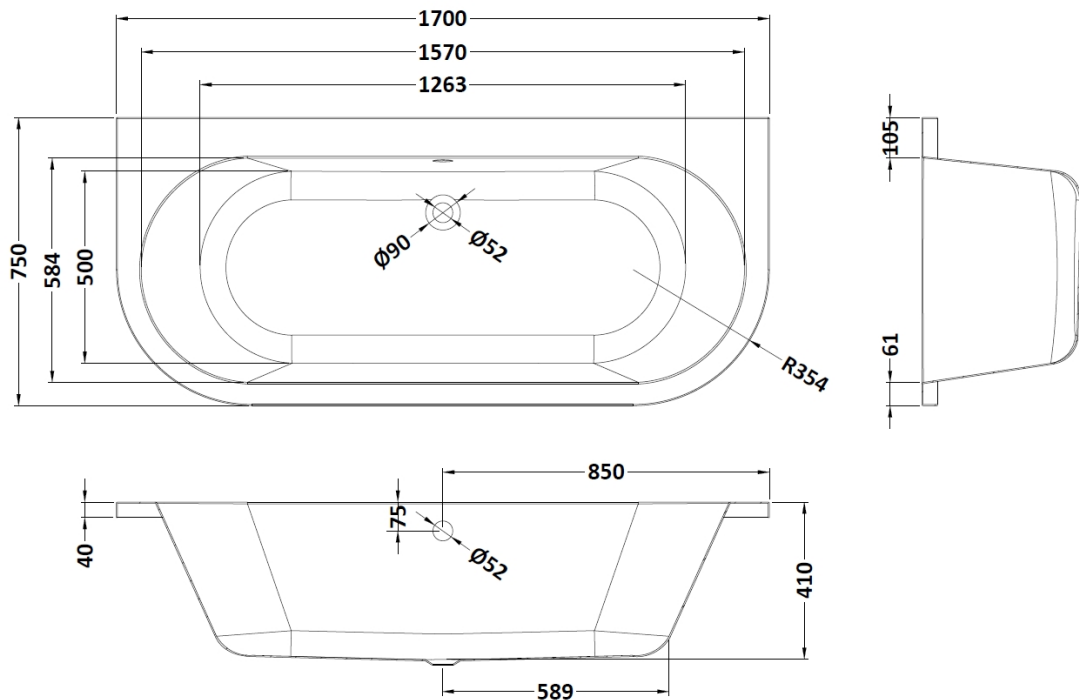


CUSTOMER DATA SHEET

SALES CODE: BSG003

DESCRIPTION: Shingle Back To Wall Bath & Panel (4mm)



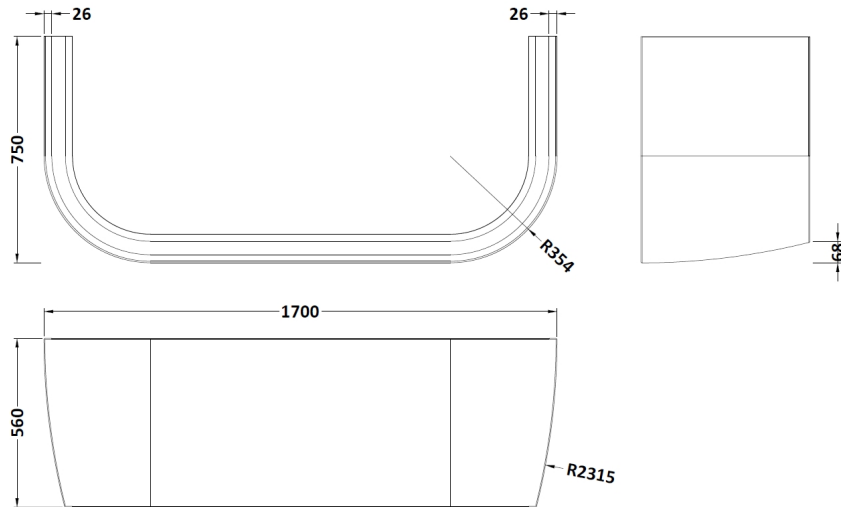
PACKAGING DETAILS

Barcode 5055369067503

CUSTOMER DATA SHEET - BATHS

SALES CODE: PAN136

DESCRIPTION: Back To Wall Bath Panel



PRODUCT DIMENSIONS

Length (mm)	Width (mm)	Depth (mm)	Nett Wgt Kg
1700	800	535	7.8

PACKAGING DIMENSIONS

Length (mm)	Width (mm)	Depth (mm)	Gross Wgt Kg
1700	750	560	7.8

PACKAGING DATA

Box Colour	Polybagged With End Caps		
Box Qty	1	Label Colour	White Label
Label Size	192 X 38	Label Qty	1

OUTER BOX DIMENSIONS (If Applicable)

Length (mm)	Width (mm)	Height (mm)	Gross Wgt Kg
Barcode	5055275893517		

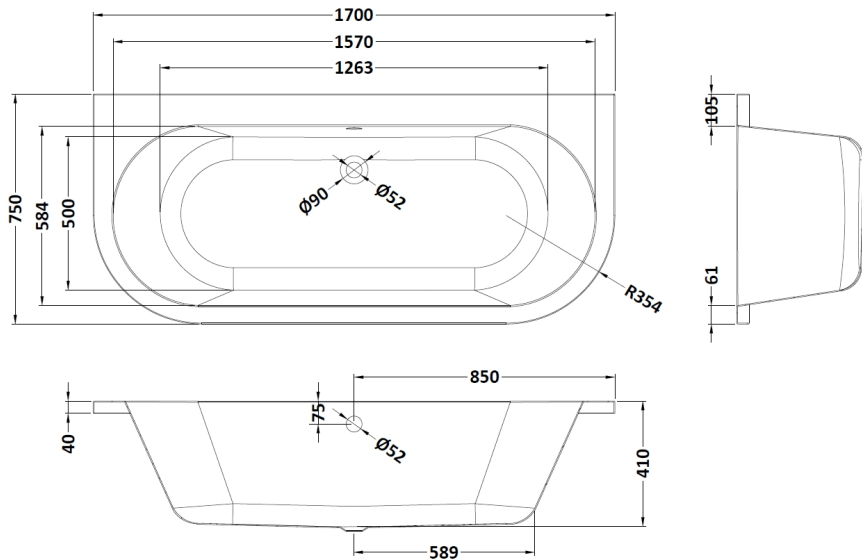
PRODUCT DETAILS

Country of Origin	Poland	Certification	FSC	N/A	CE	N/A
Fitting Instruction	No	Material Colour Ref'	European White			
Product Material	Acrylic	Material Thickness	4mm			
Volume (Ltr)	N/A	Displaced Capacity	0L			
Leg Set Inc'	Not Applicable	Waste Inc'	Not Applicable			
Drilled/Undrilled	Not Applicable	Includes Grips	Not Applicable			
Embossed	No	No of Tapholes	Not Applicable			
Anti-Slip	Not Applicable					

CUSTOMER DATA SHEET - BATHS

SALES CODE: NBH020NL

DESCRIPTION: Shingle Back To Wall Bath



PRODUCT DIMENSIONS

Length (mm)	Width (mm)	Depth (mm)	Nett Wgt Kg
1700	750	410	24

PACKAGING DIMENSIONS

Length (mm)	Width (mm)	Depth (mm)	Gross Wgt Kg
1700	750	390	25

PACKAGING DATA

Box Colour	Brown Cardboard Sleeve		
Box Qty	1	Label Colour	White Label
Label Size	192 X 38	Label Qty	1

OUTER BOX DIMENSIONS (If Applicable)

Length (mm)	Width (mm)	Height (mm)	Gross Wgt Kg
Barcode	5055275894231		

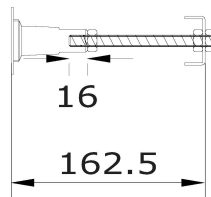
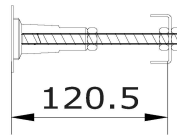
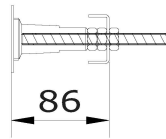
PRODUCT DETAILS

Country of Origin	Poland	Certification	FSC	N/A	CE	No
Fitting Instruction	No	Material Colour Ref'	European White			
Product Material	Acrylic	Material Thickness	4mm			
Volume (Ltr)	200L	Displaced Capacity	130L			
Leg Set Inc'	Legset Not Included	Waste Inc'	Waste Not Included			
Drilled/Undrilled	Undrilled For Taps	Includes Grips	No Grips Supplied			
Embossed	No	No of Tapholes	None			
Anti-Slip	No					

CUSTOMER DATA SHEET - BATHS

SALES CODE: NBL002

DESCRIPTION: Large Bath Leg Set



PRODUCT DIMENSIONS

Length (mm)	Width (mm)	Depth (mm)	Nett Wgt Kg
			2.3

PACKAGING DIMENSIONS

Length (mm)	Width (mm)	Depth (mm)	Gross Wgt Kg
630	100	60	2.3

PACKAGING DATA

Box Colour	Brown Cardboard Box		
Box Qty	1	Label Colour	White Label
Label Size	X	Label Qty	1

OUTER BOX DIMENSIONS (If Applicable)

Length (mm)	Width (mm)	Height (mm)	Gross Wgt Kg
Barcode	5055275862544		

PRODUCT DETAILS

Country of Origin	Poland	Certification	FSC	N/A	CE	N/A
Fitting Instruction	No	Material Colour Ref'	Not Applicable			
Product Material	Steel	Material Thickness				
Volume (Ltr)	N/A	Displaced Capacity	N/A			
Leg Set Inc'	Not Applicable	Waste Inc'	Not Applicable			
Drilled/Undrilled	Not Applicable	Includes Grips	Not Applicable			
Embossed	Not Applicable	No of Tapholes	Not Applicable			
Anti-Slip	Not Applicable					