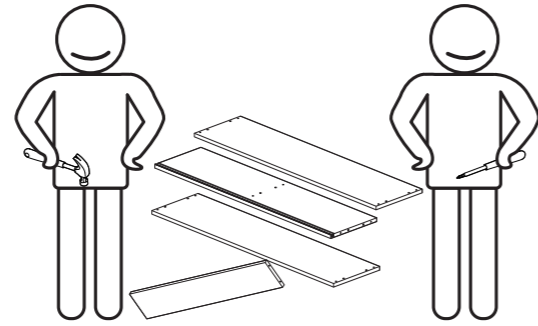
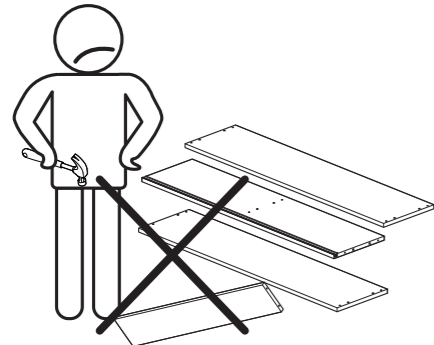




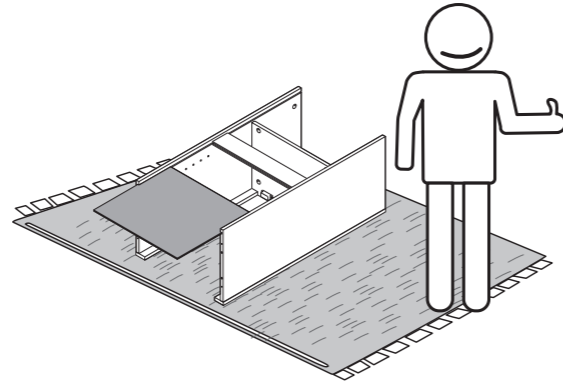
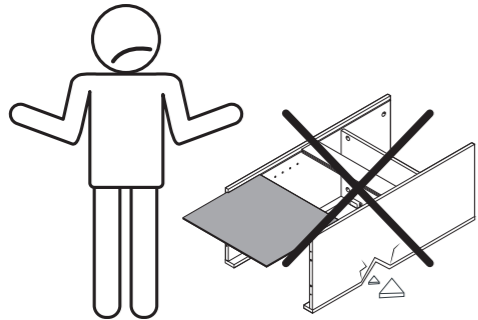
WARNING

Children have died from furniture tip-over. To reduce the risk of furniture tip-over:

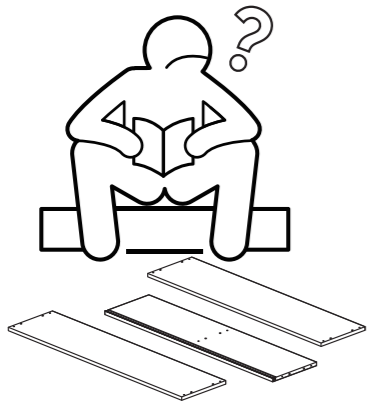
- NEVER allow children to stand, climb or hang on drawers, doors, or shelves.
- NEVER open more than one drawer at a time.
- Place heaviest items in the lowest drawer.
- Read and follow all assembly instructions.



We recommend at least 2 people for the assembly.

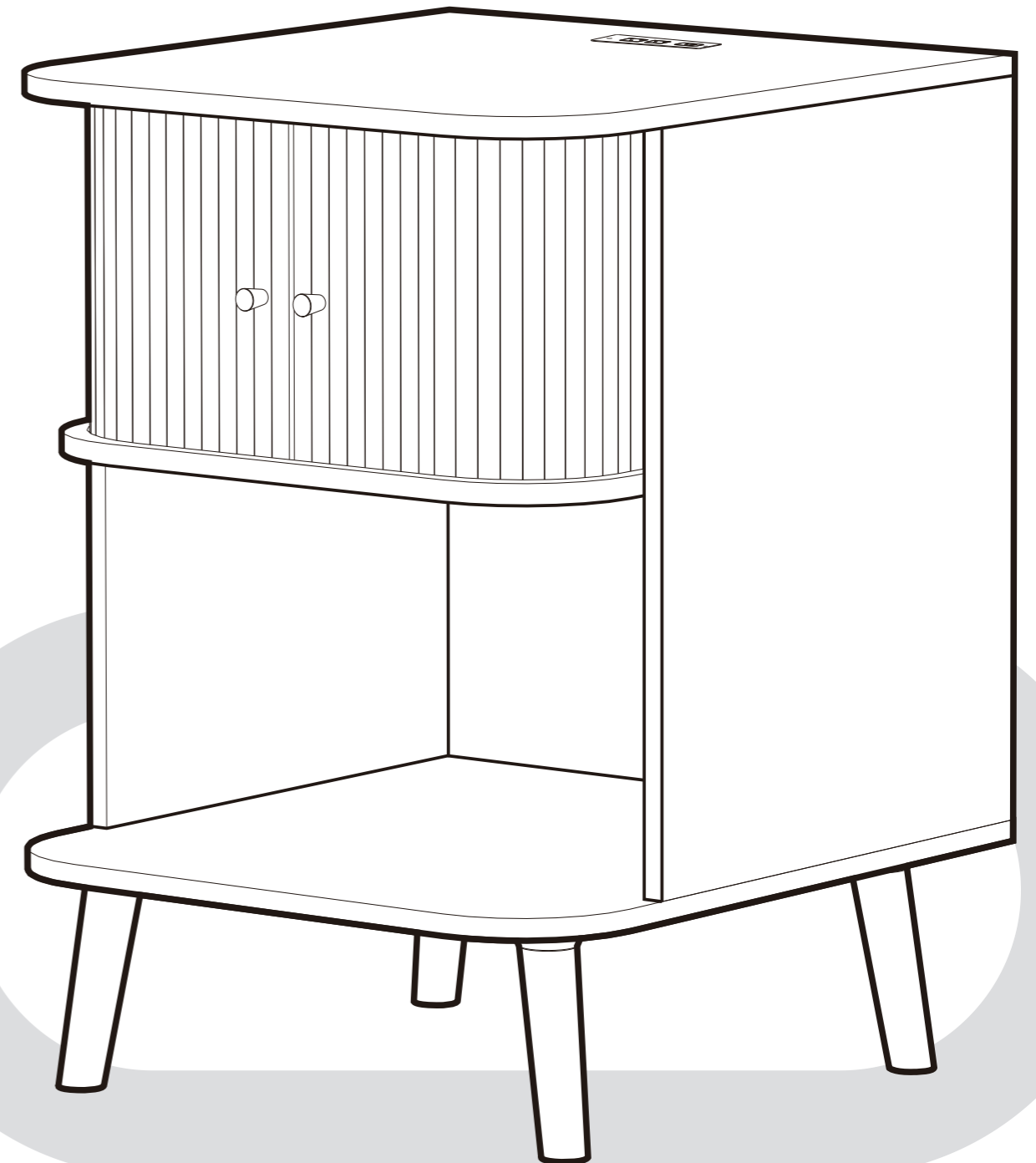


To prevent any damage during assembly, place a mat under the pieces.



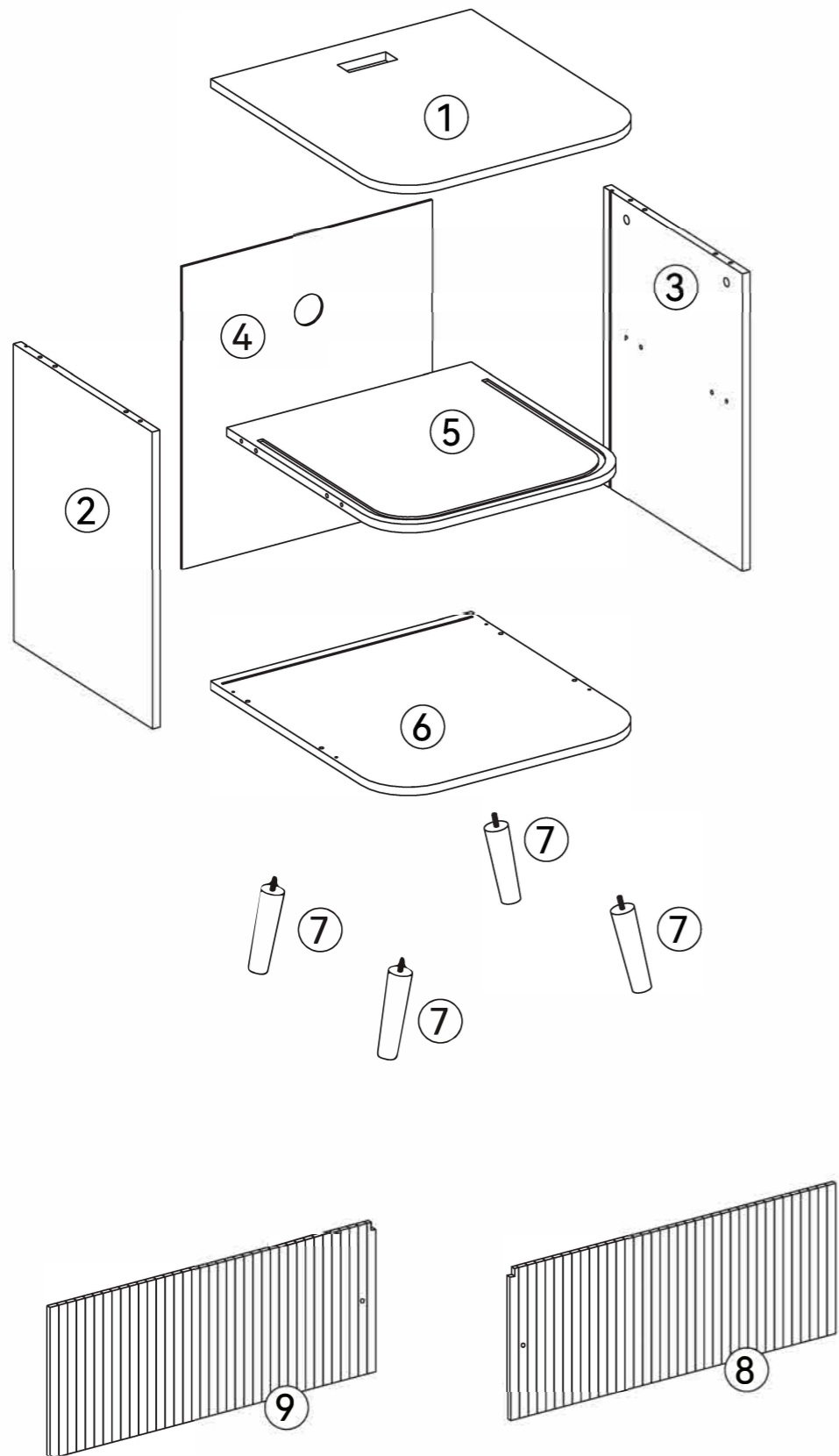
Any questions concerning assembly, contact us

ASSEMBLY INSTRUCTIONS

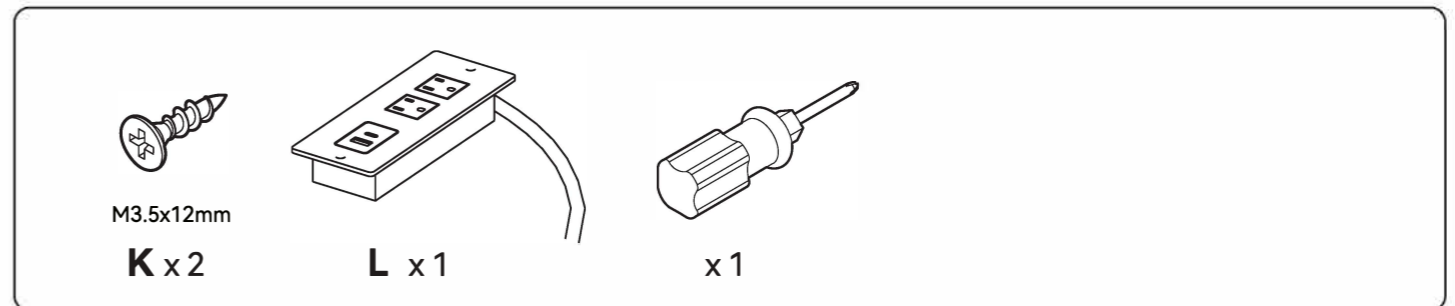
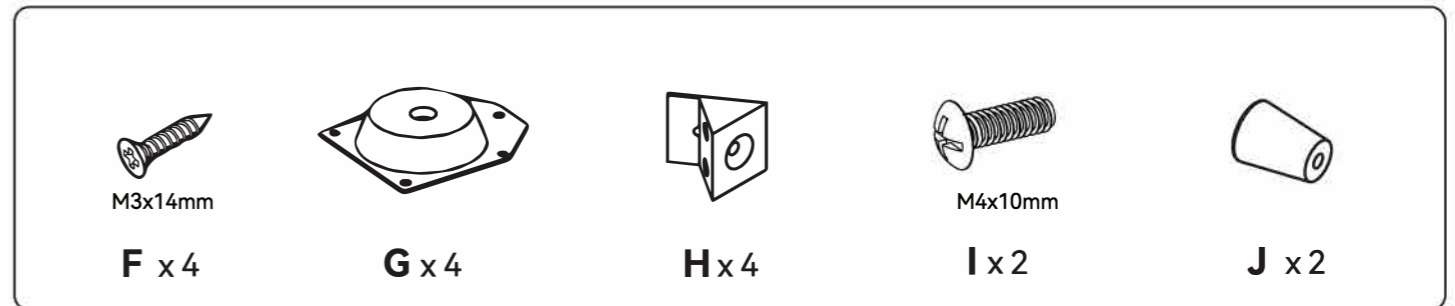
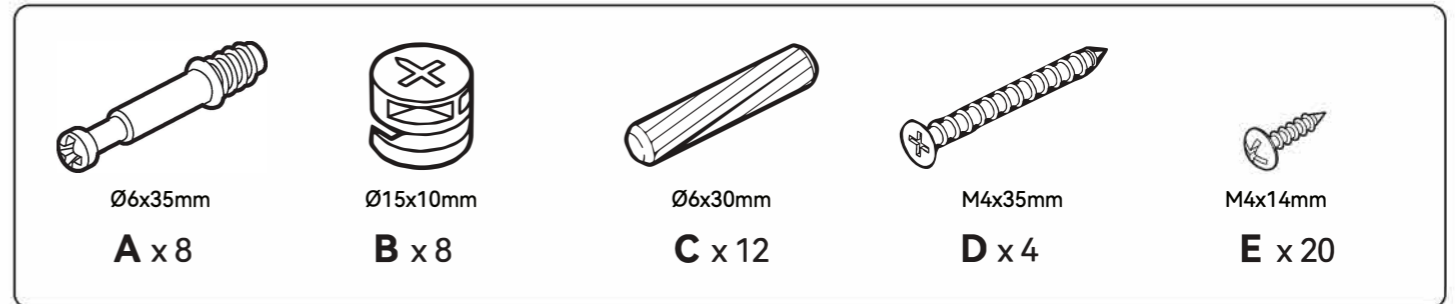


PARTS DIAGRAM

Check if all parts and hardwares are included. Contact us if there is any part missing or damaged.



HARDWARES



SPARE PARTS




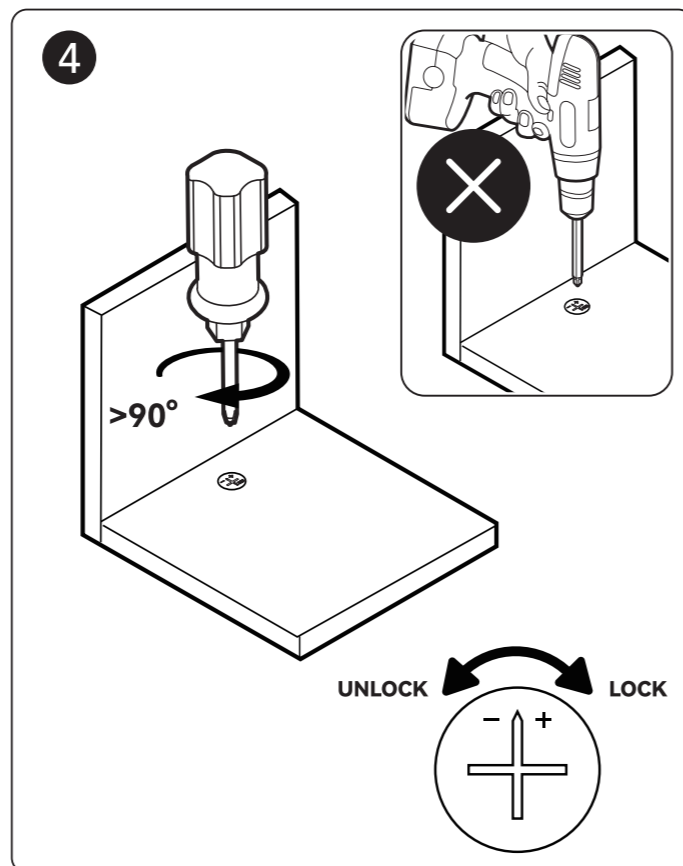
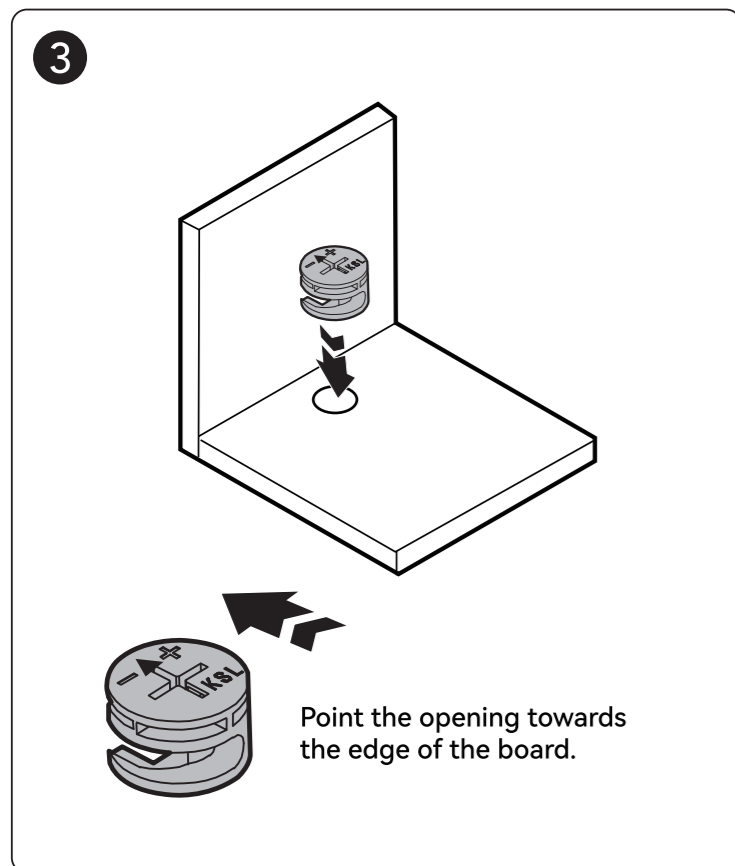
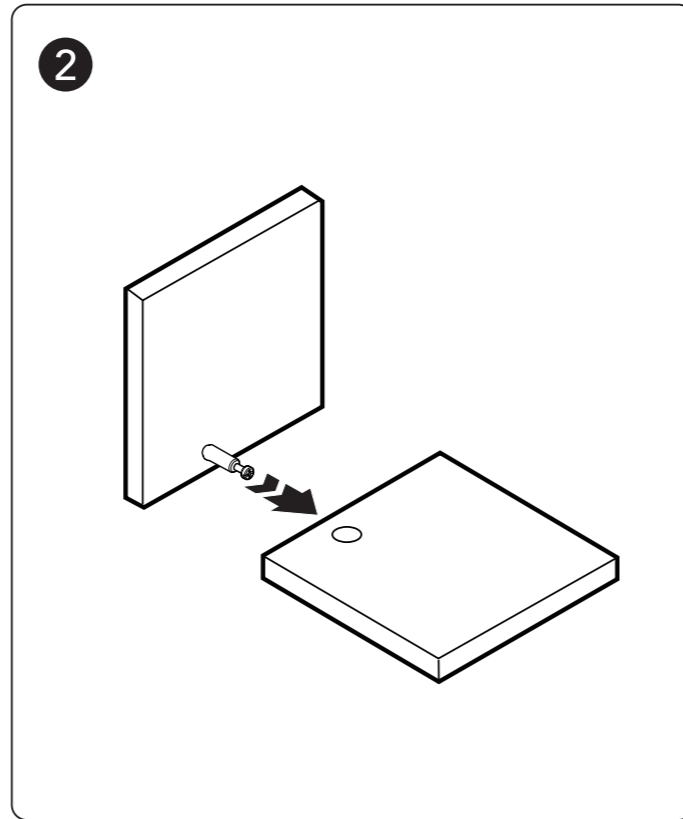
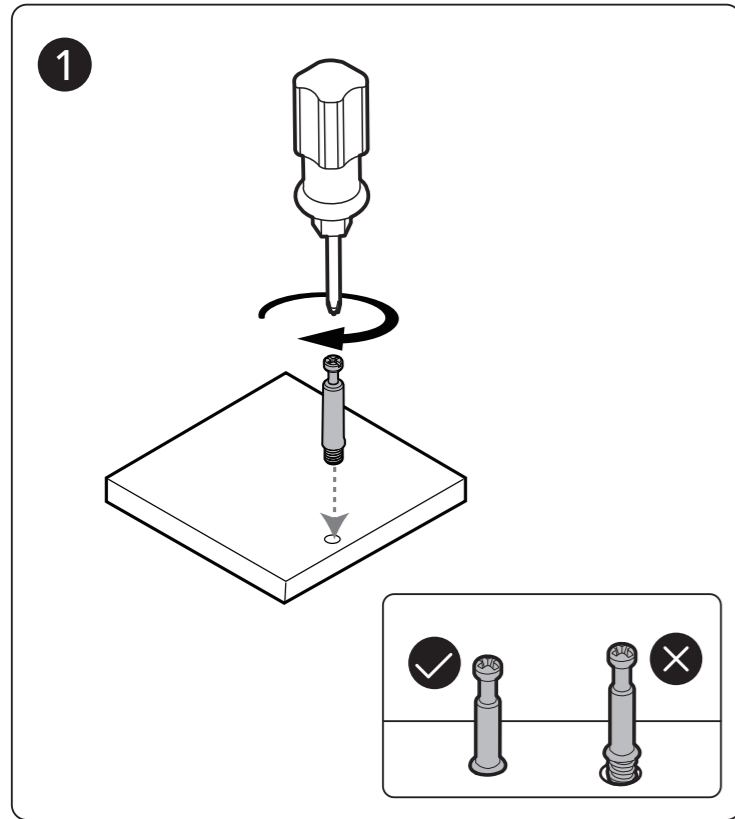
The spare parts are the additional parts provided in case of missing or damaged ones. Keep the spare parts and tools for future use.



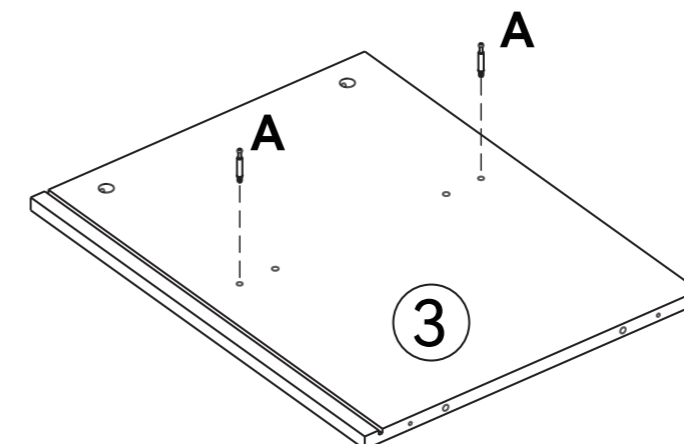
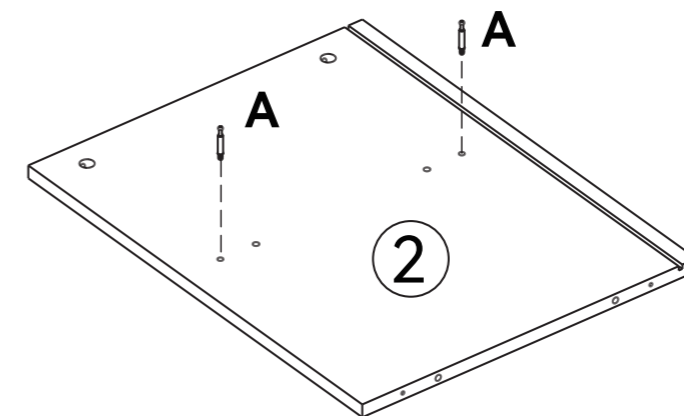
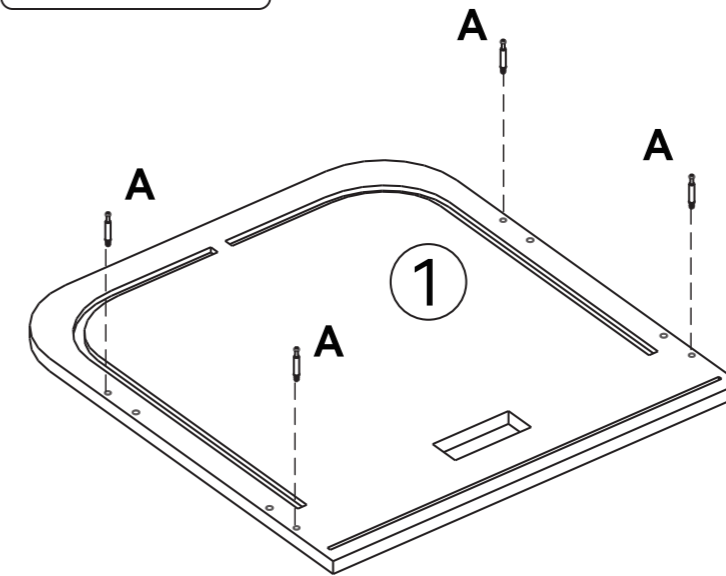
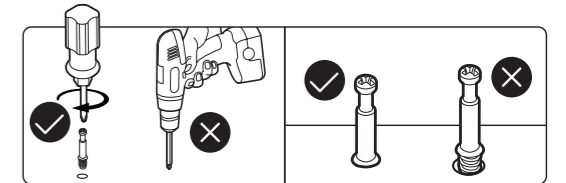
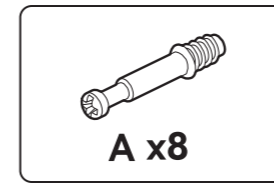
CAM LOCK FASTEN SYSTEM

ASSEMBLY

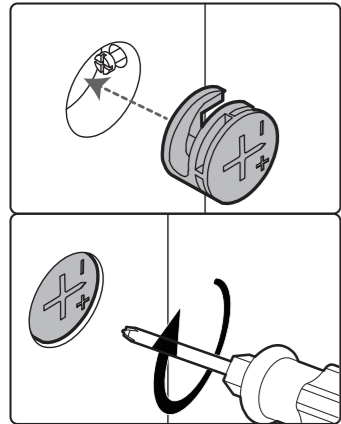
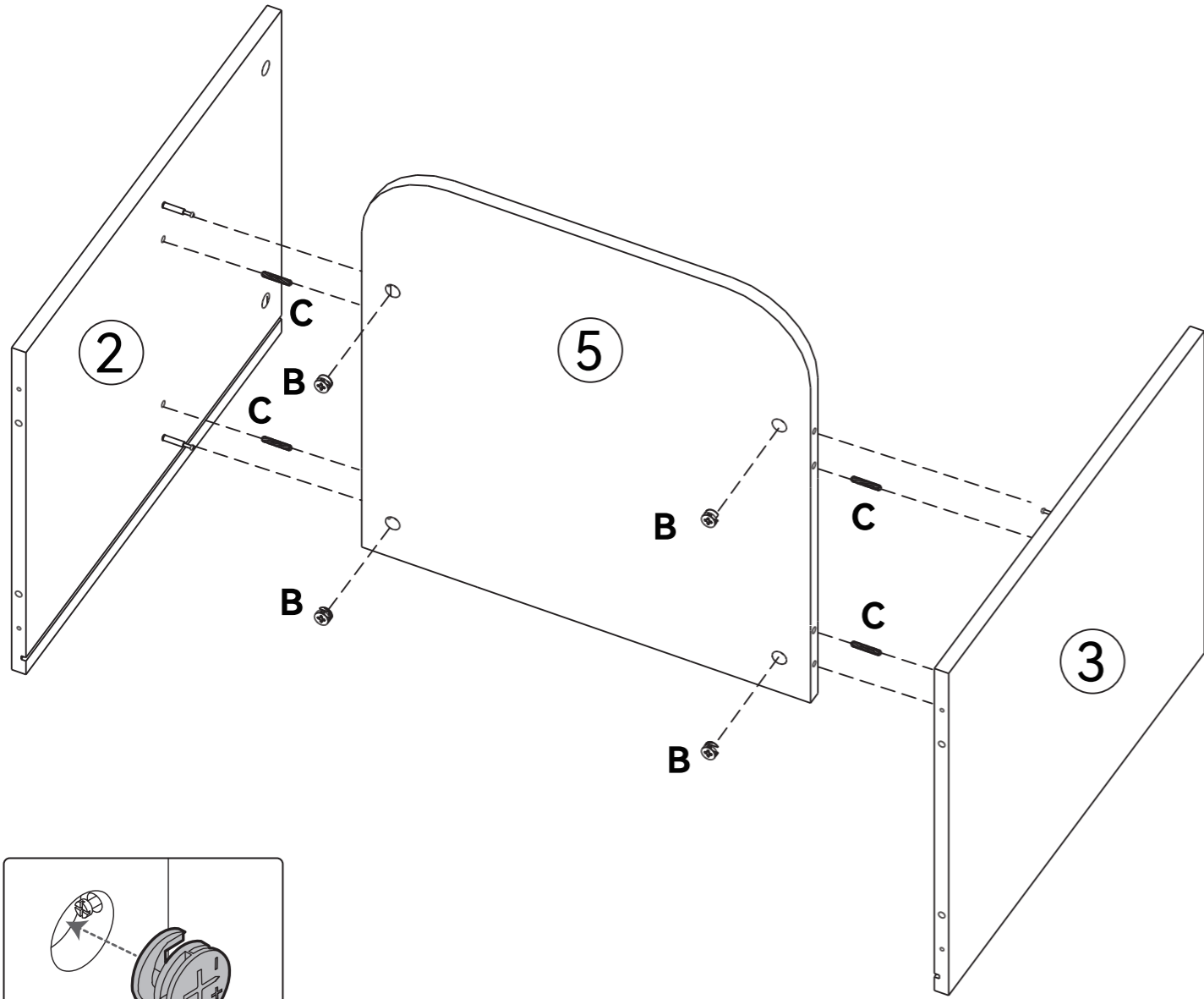
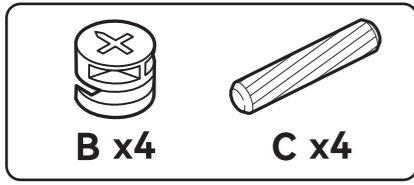
 Insert the cam bolt into the hole, then insert the cam lock and tighten.



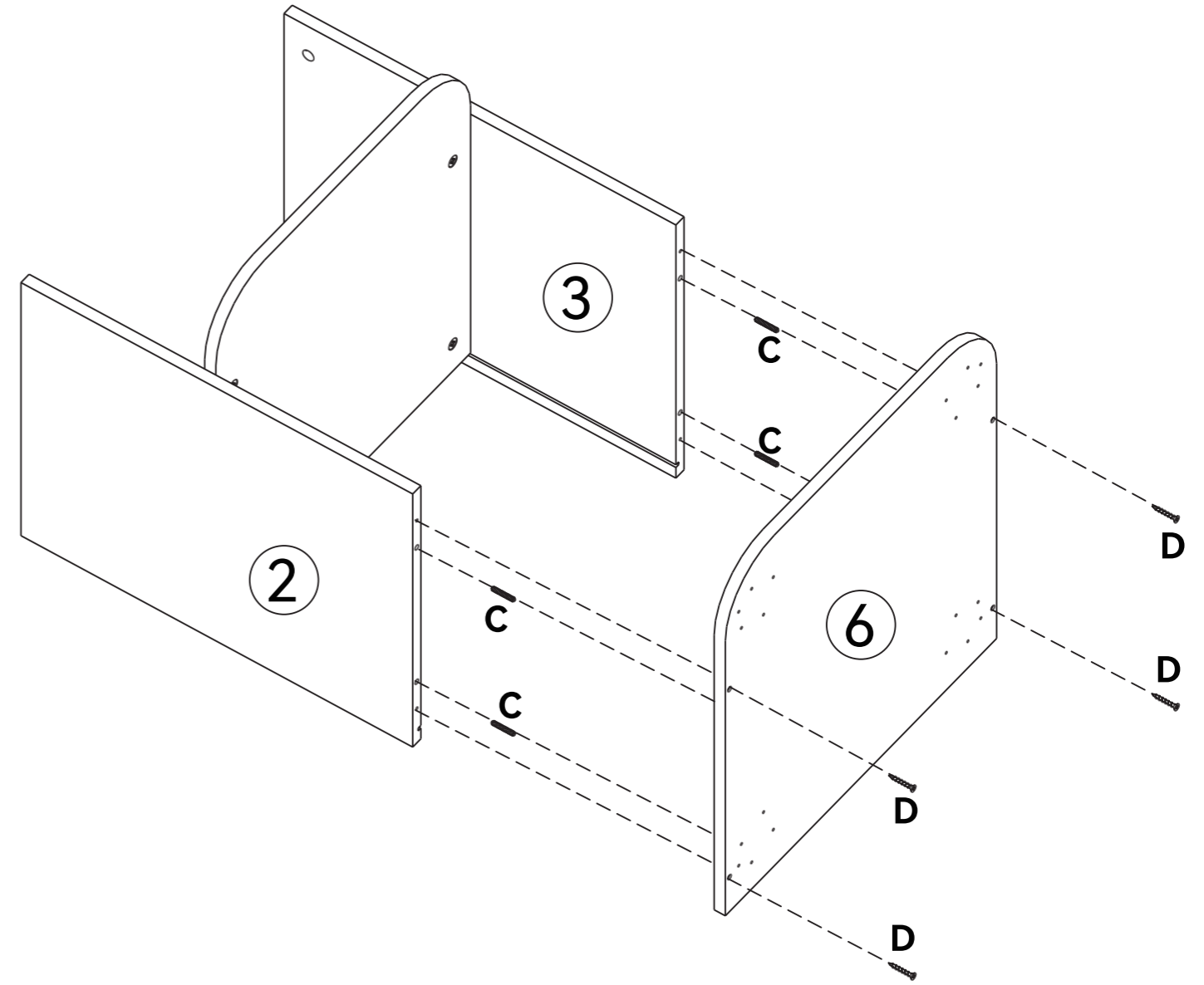
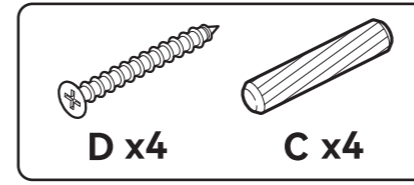
1



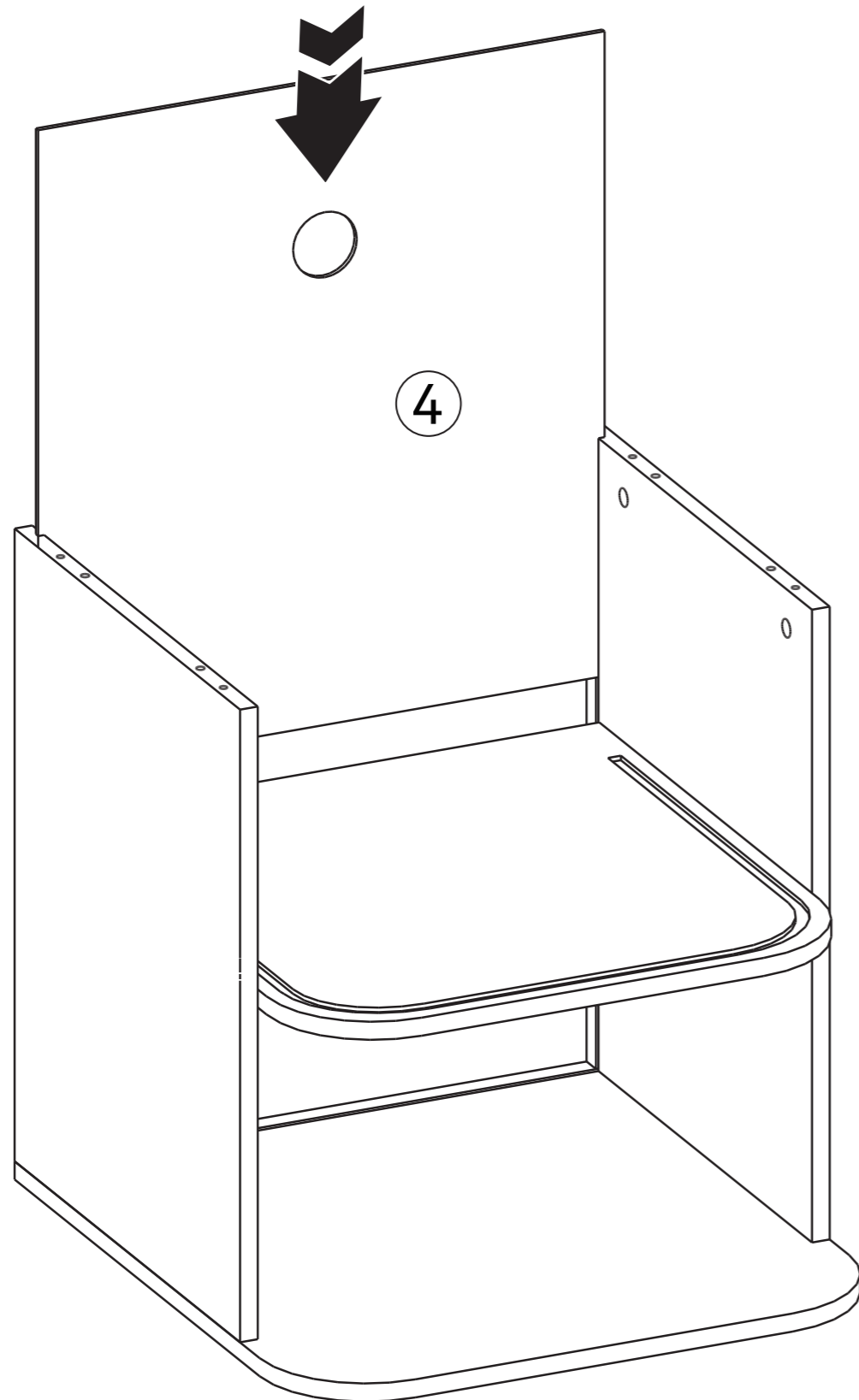
2



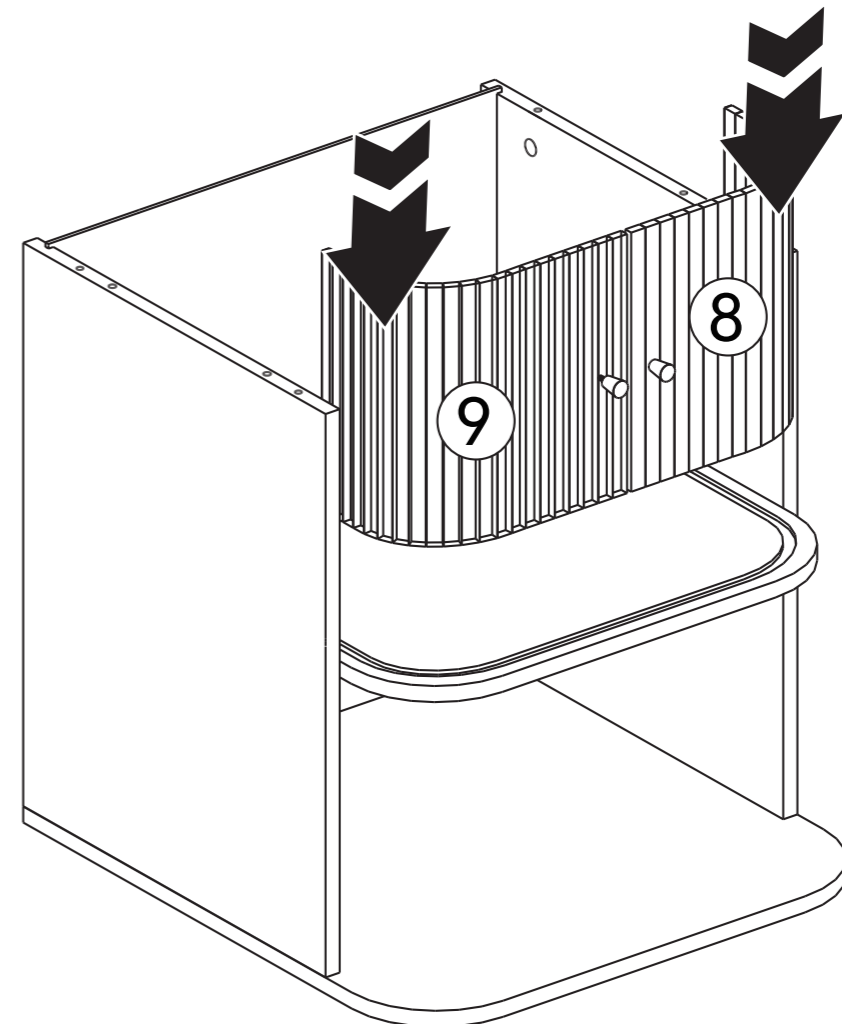
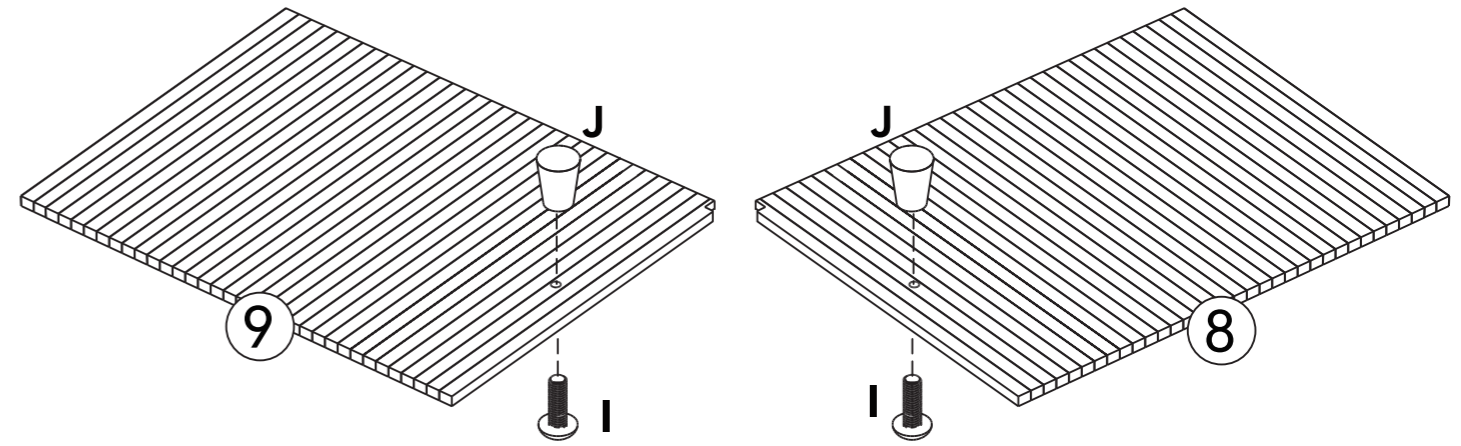
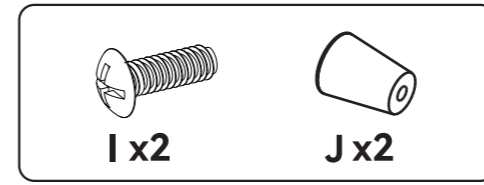
3



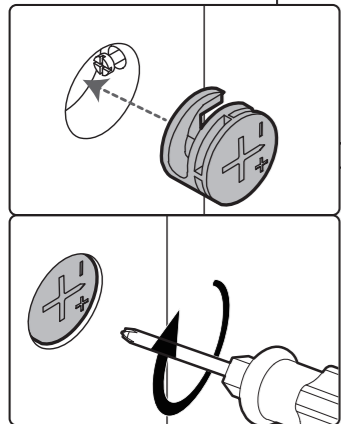
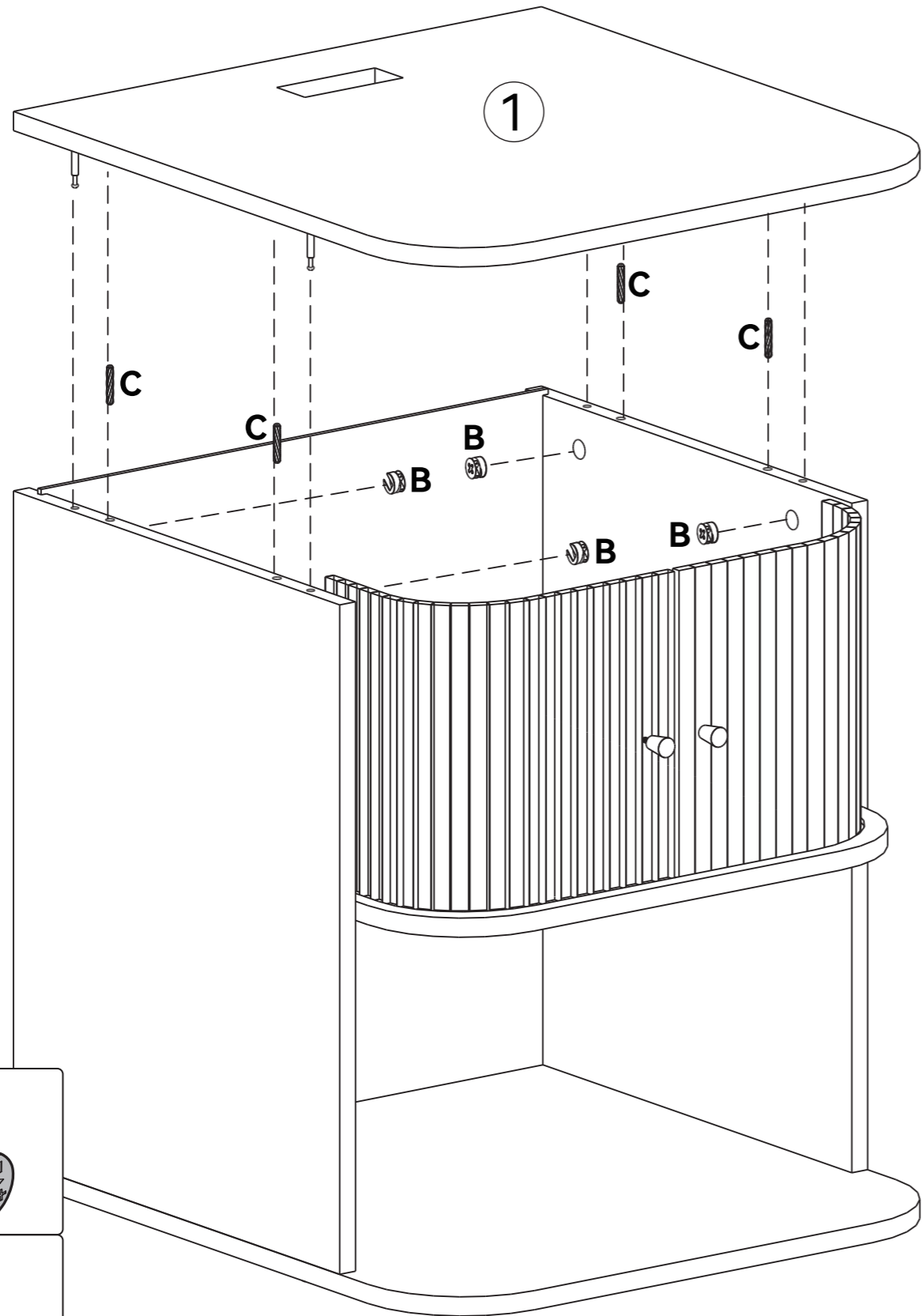
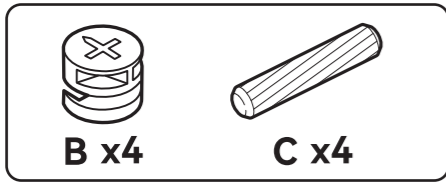
4



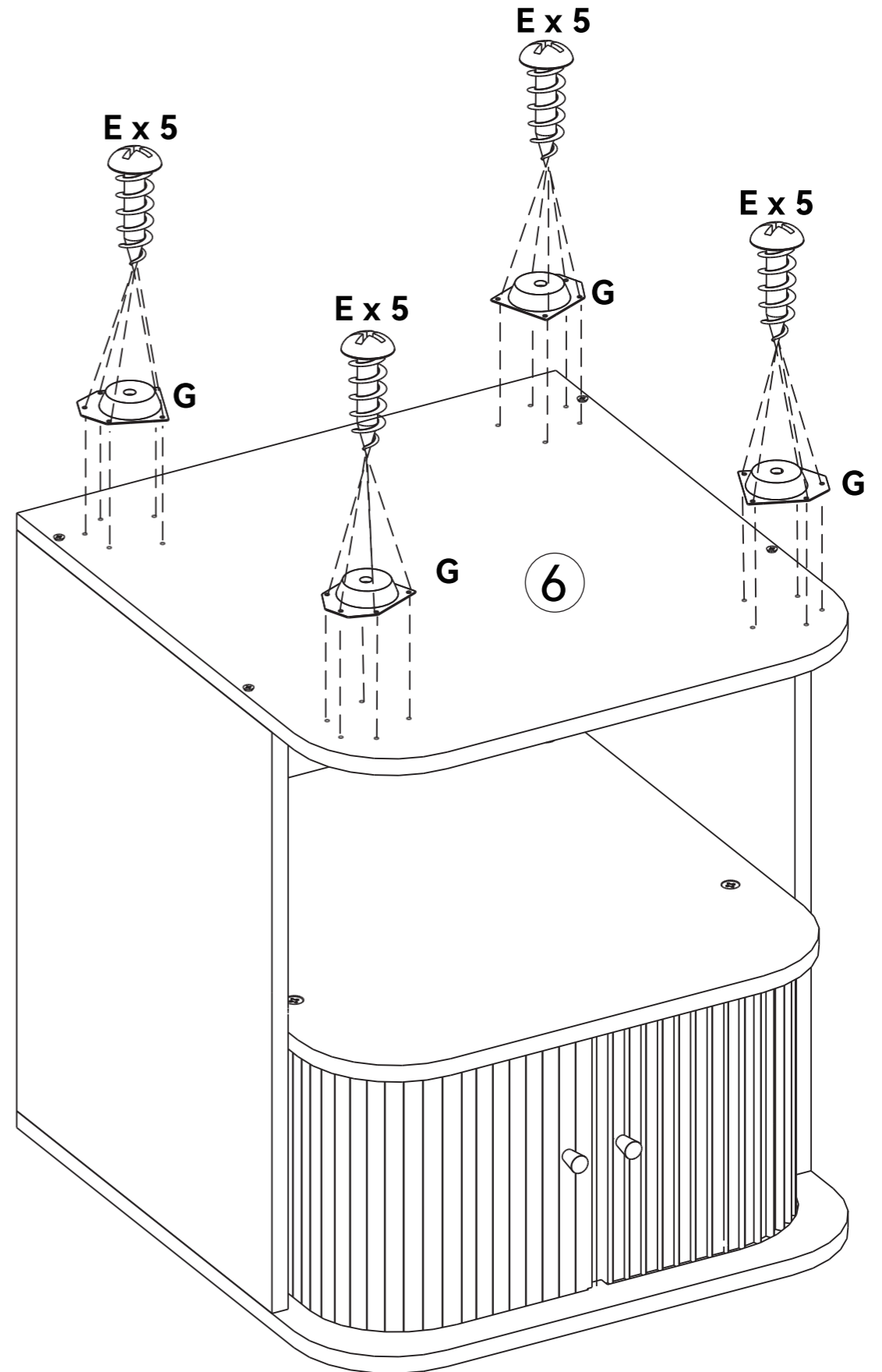
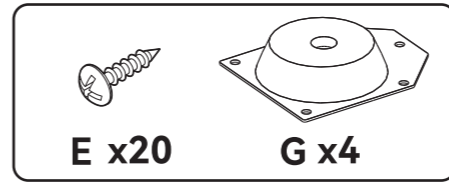
5



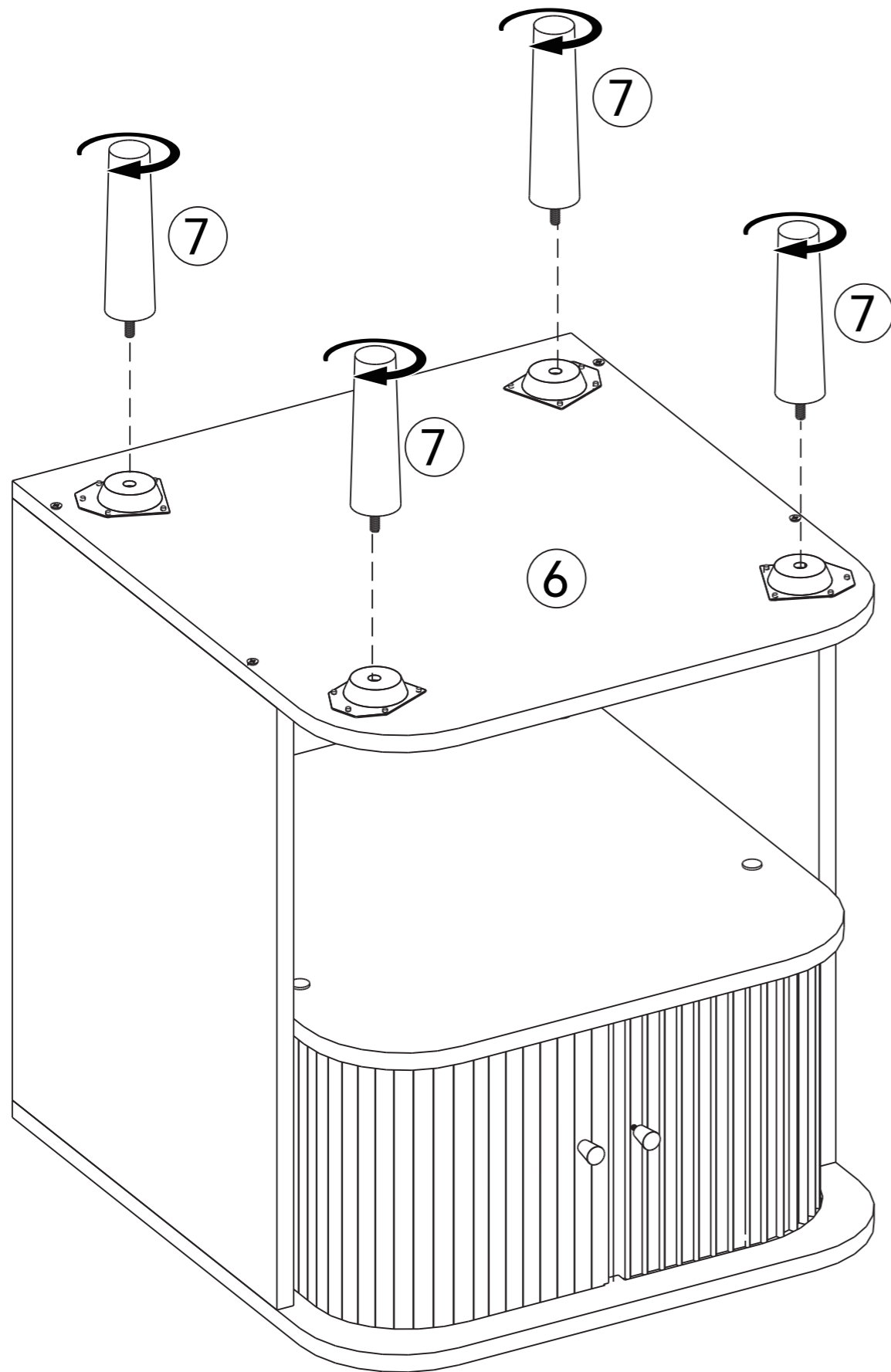
6



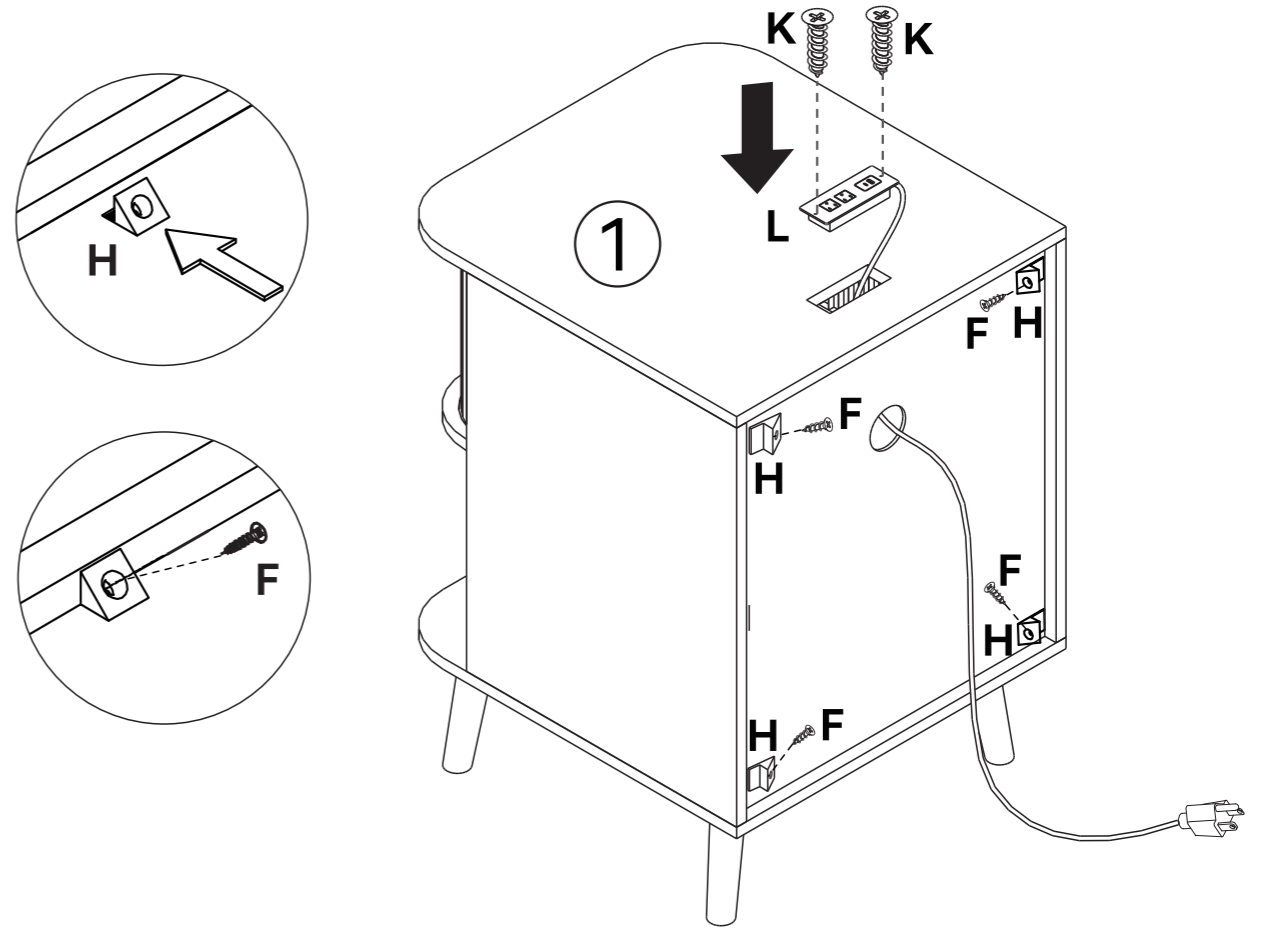
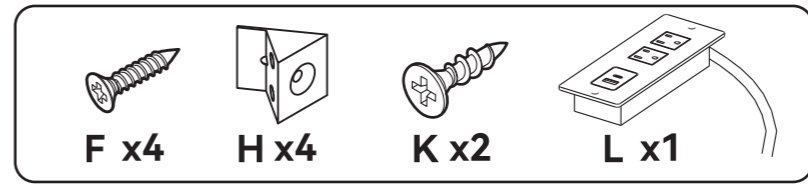
7



8



9



10

