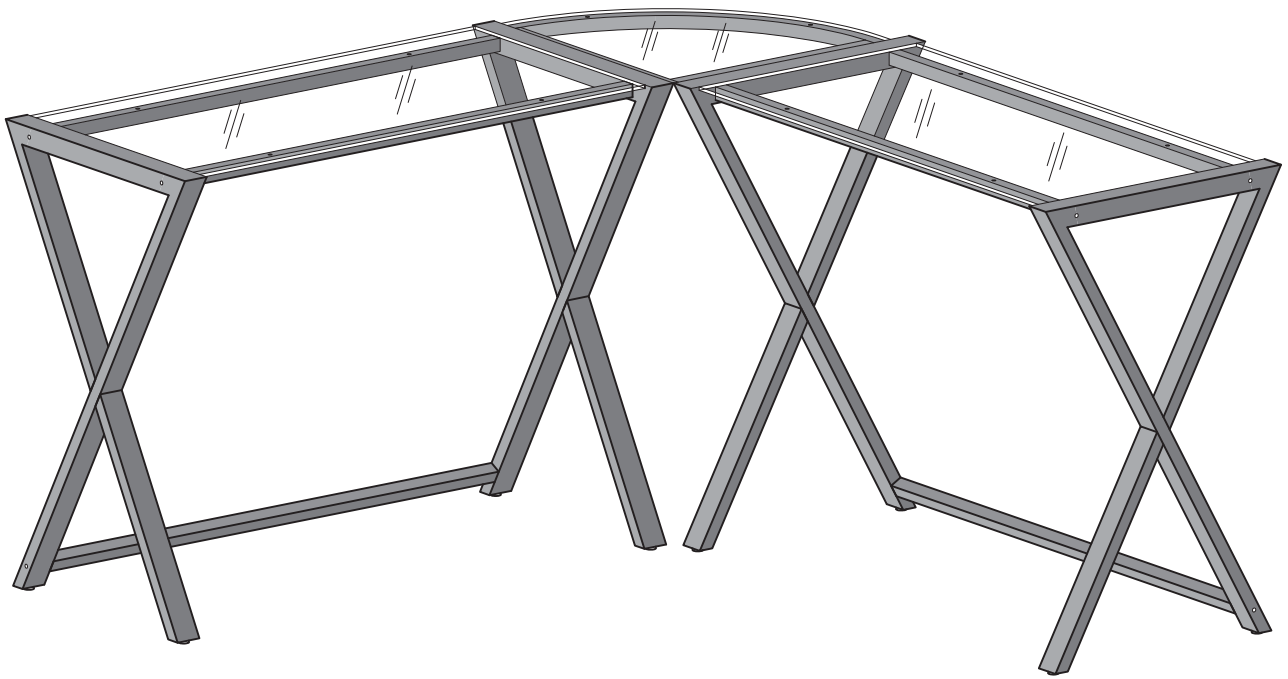
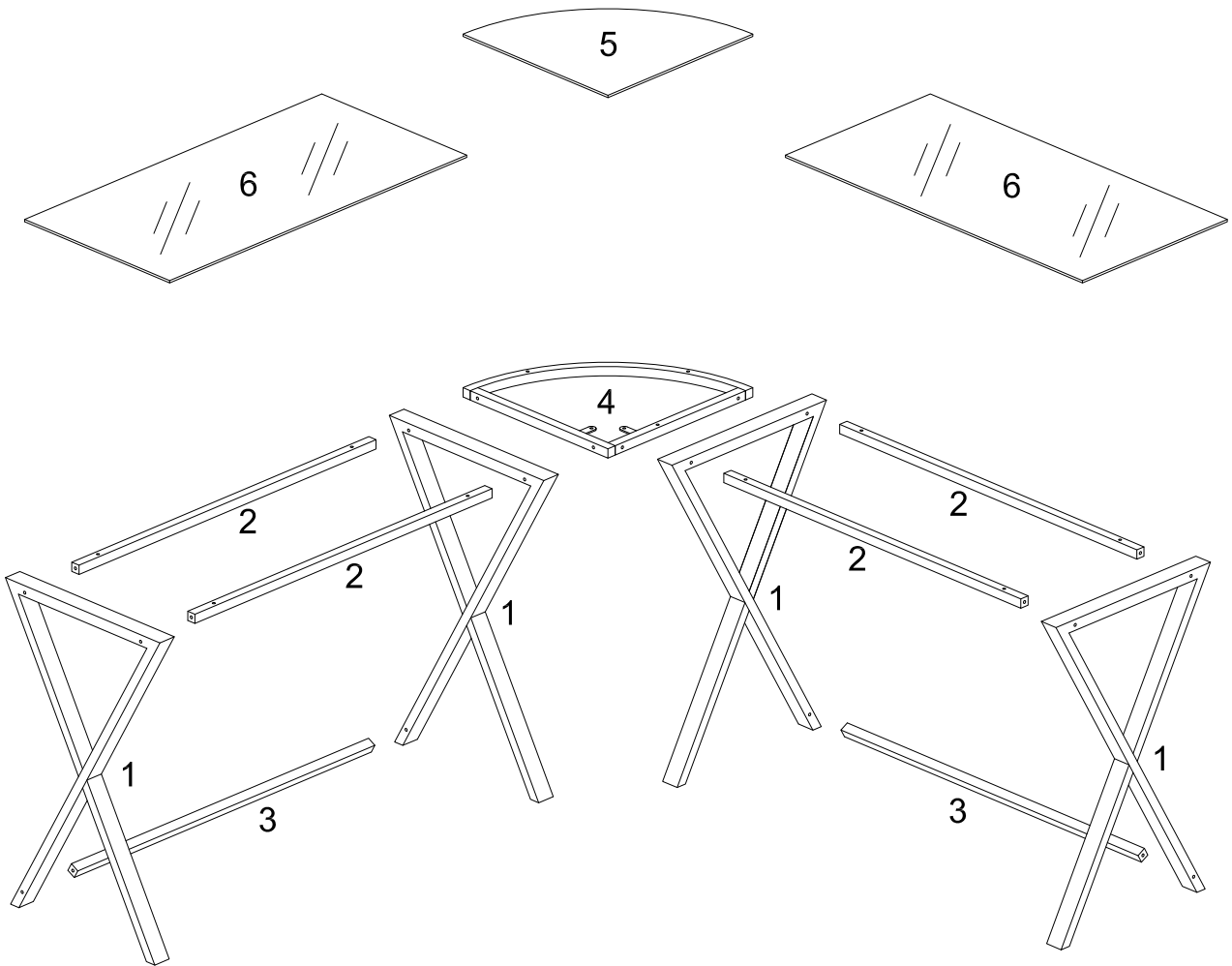



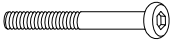

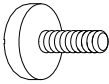

Assembly Instructions



Parts List

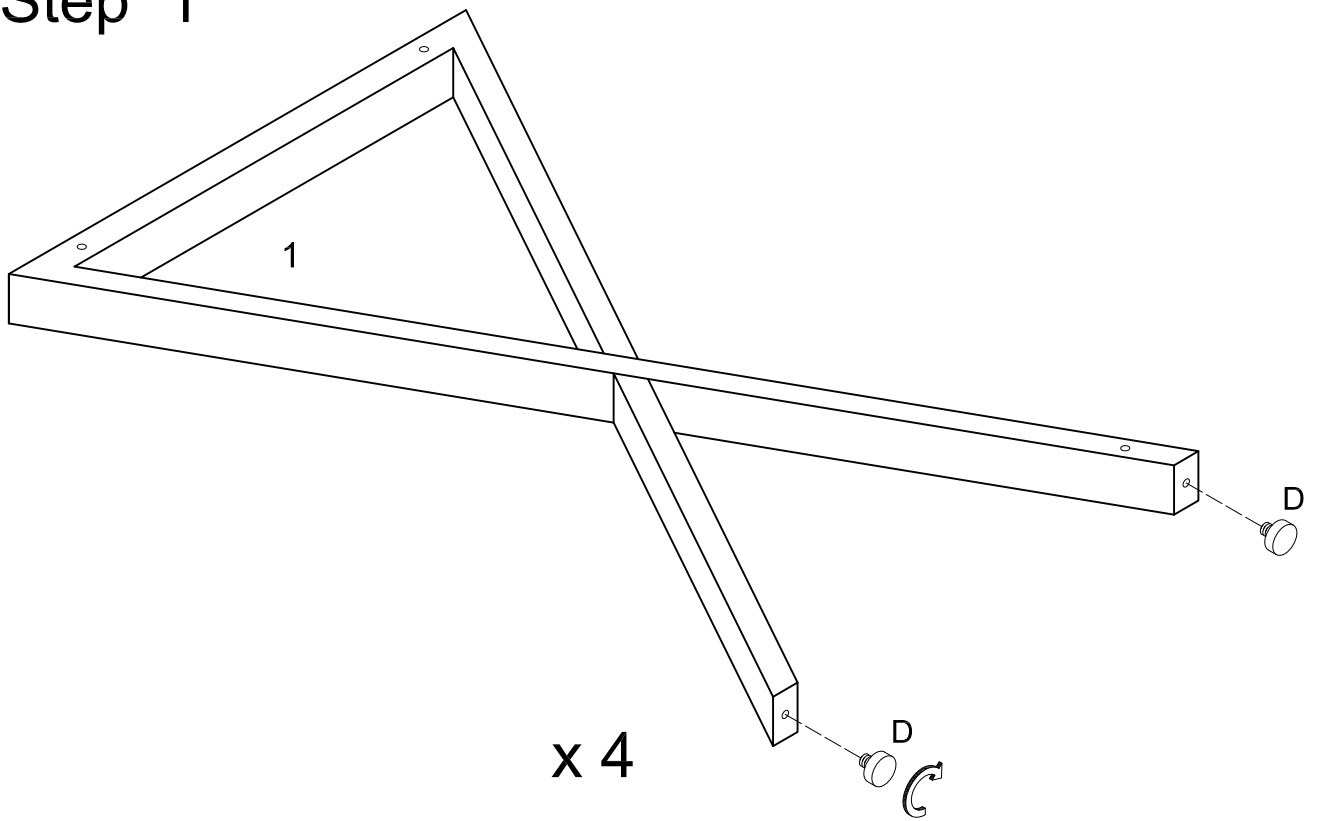


Hardware List

A		M6*55(mm)	Short bolt	8 pcs
B		M6*70(mm)	Long bolt	4 pcs
C			Rubber suction cup	12 pcs
D			Desk feet	8 pcs
E		M4(mm)	Allen wrench	1 pc

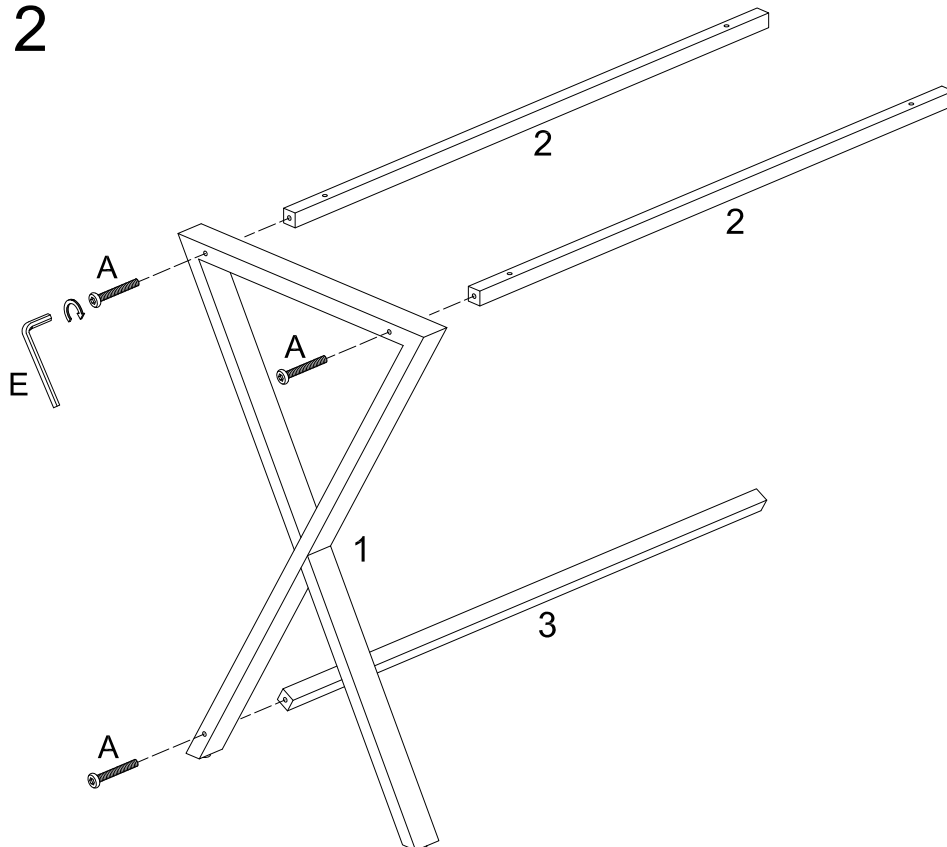
*The hardware quantities listed above are required for proper assembly.
Some extra hardware may also have been included.*

Step 1



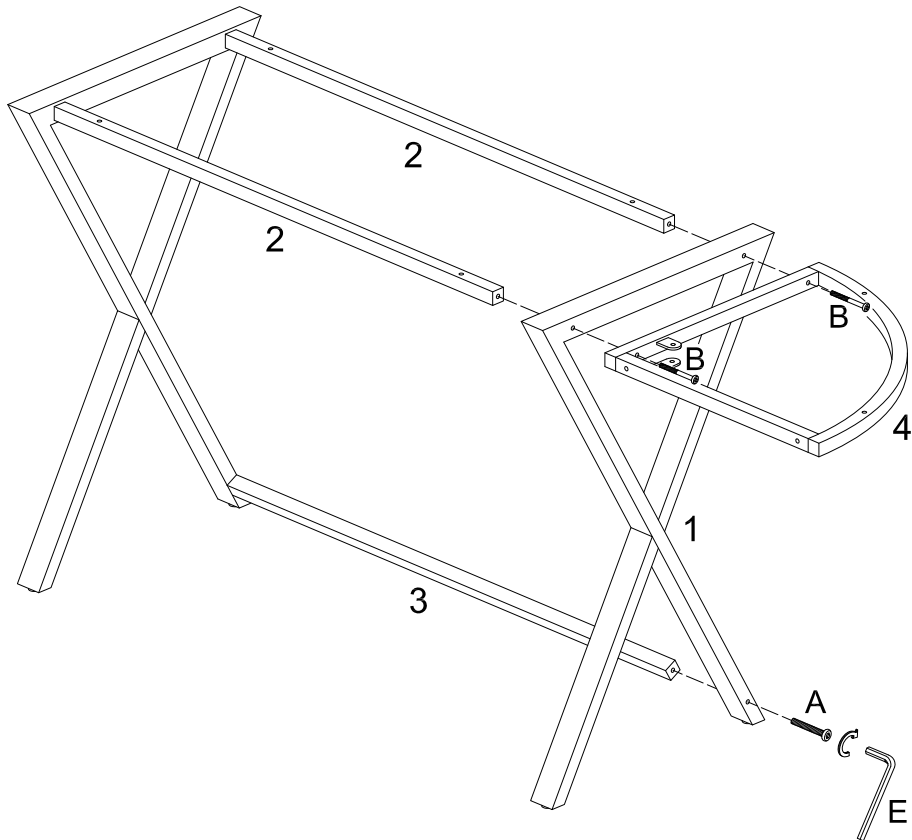
Screw feet (D) into legs (1).

Step 2



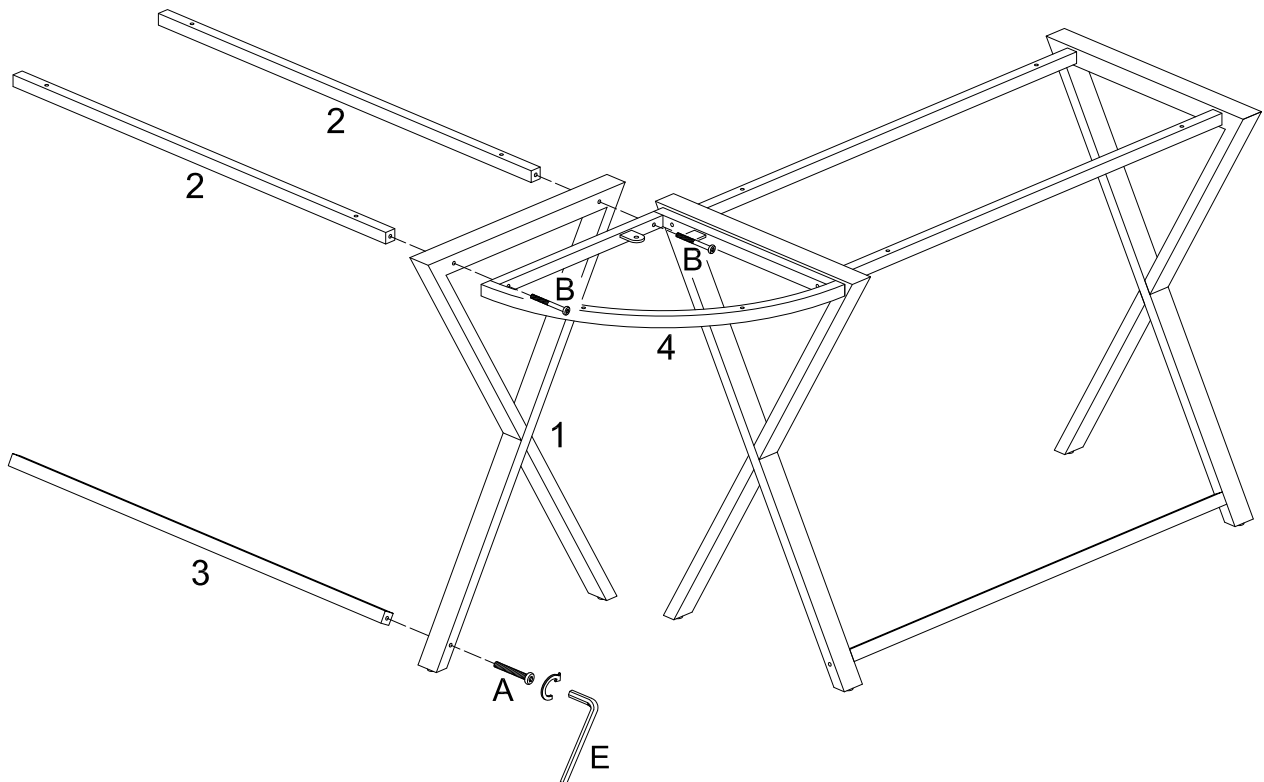
Attach upper crossbars (2) and lower crossbar (3) to legs (1) using short bolts (A) . Tighten short bolts (A) with wrench (E).

Step 3



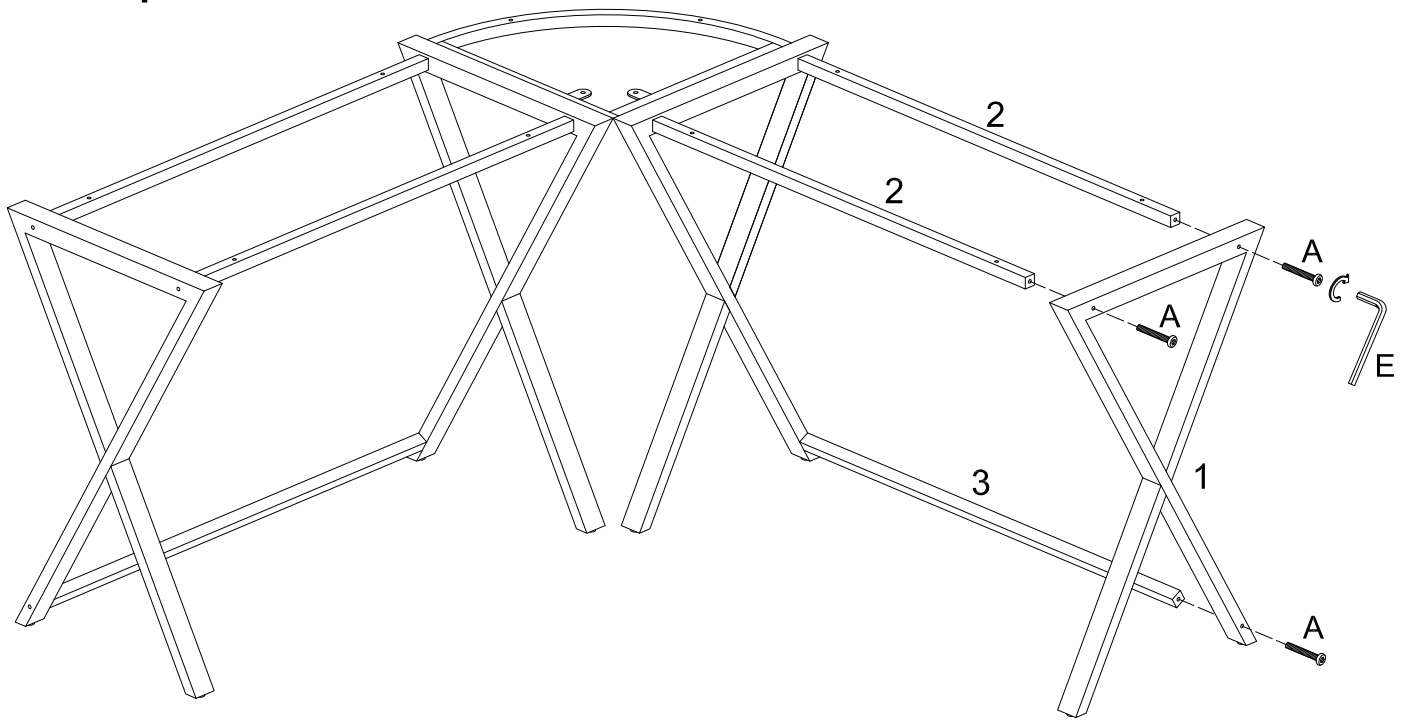
Attach leg (1) and corner frame (4) to the assembly from the previous step using long bolts (B) .Secure leg (1) to lower crossbar (3) using short bolt (A) . Tighten all bolts with wrench (E).

Step 4



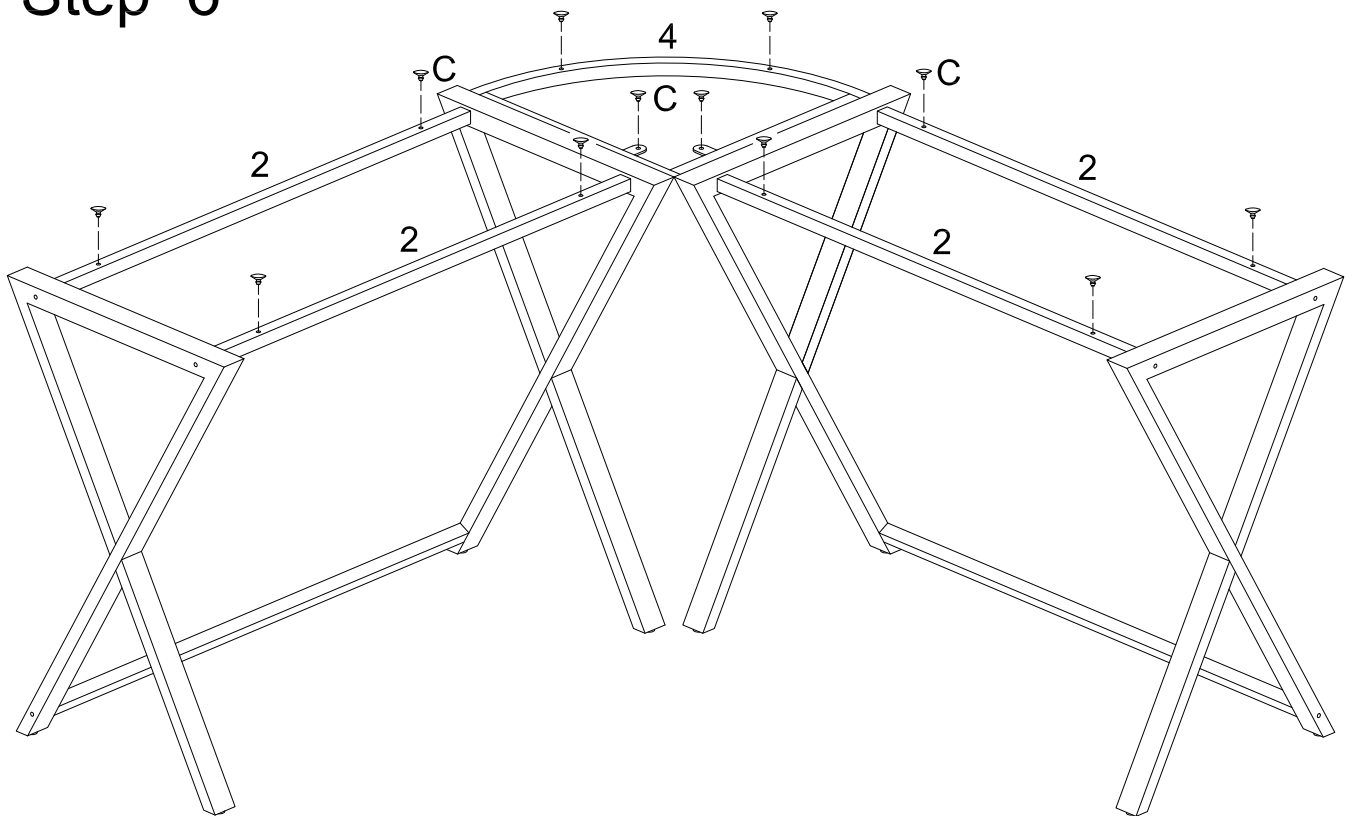
Attach leg (1) and crossbars (2) to corner frame (4) using long bolts (B) .Attach lower crossbar (3) to leg (1) using short bolt (A) . Tighten all bolts with wrench (E).

Step 5



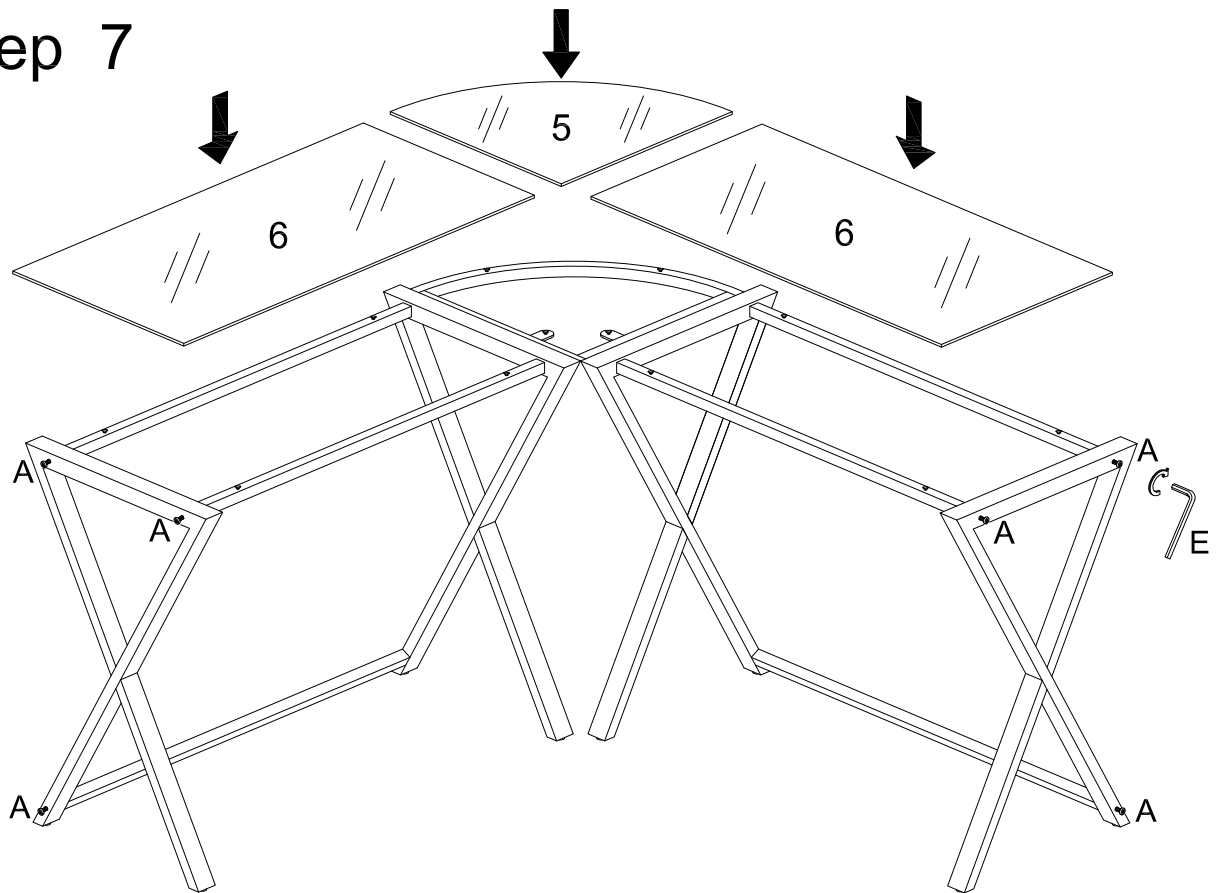
Attach leg (1) to upper crossbars (2) and lower crossbar (3) using short bolt (A). Loosely tighten short bolts (A) with wrench (E).

Step 6



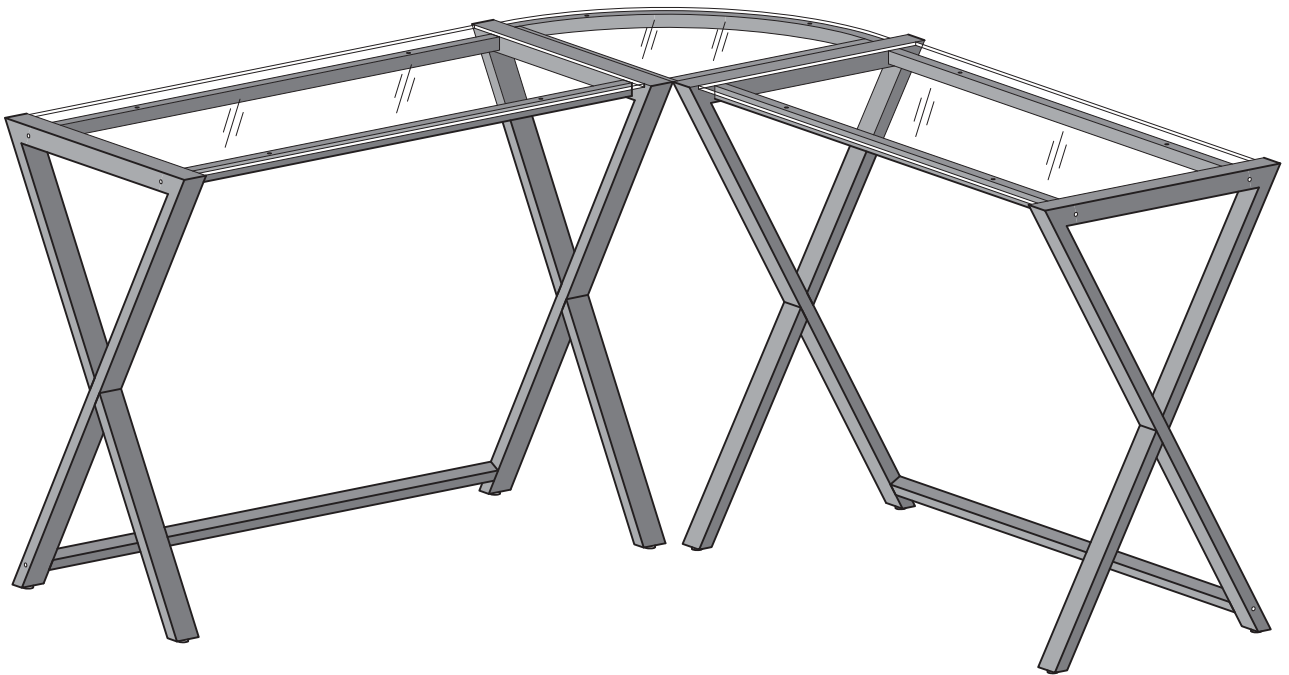
Insert rubber suction cups (C) into the desk frame as shown above.

Step 7



Carefully lay glass (6) and corner glass (5) into place and gently press on the suction cups to secure. Firmly tighten all bolts (A) with wrench (E).

Step 8



Final Assembly